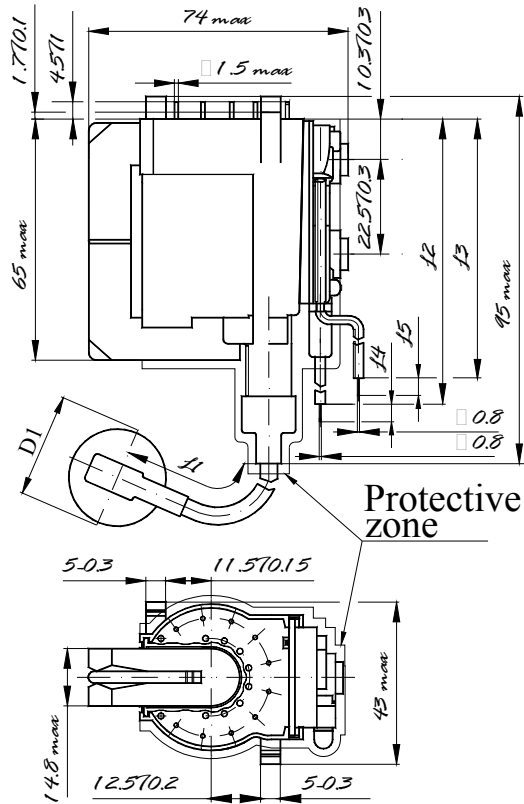
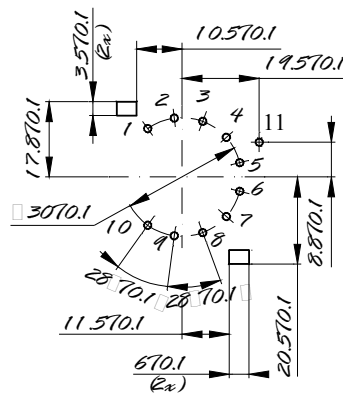


# **FLYBACK TRANSFORMERS FOR TV SETS**

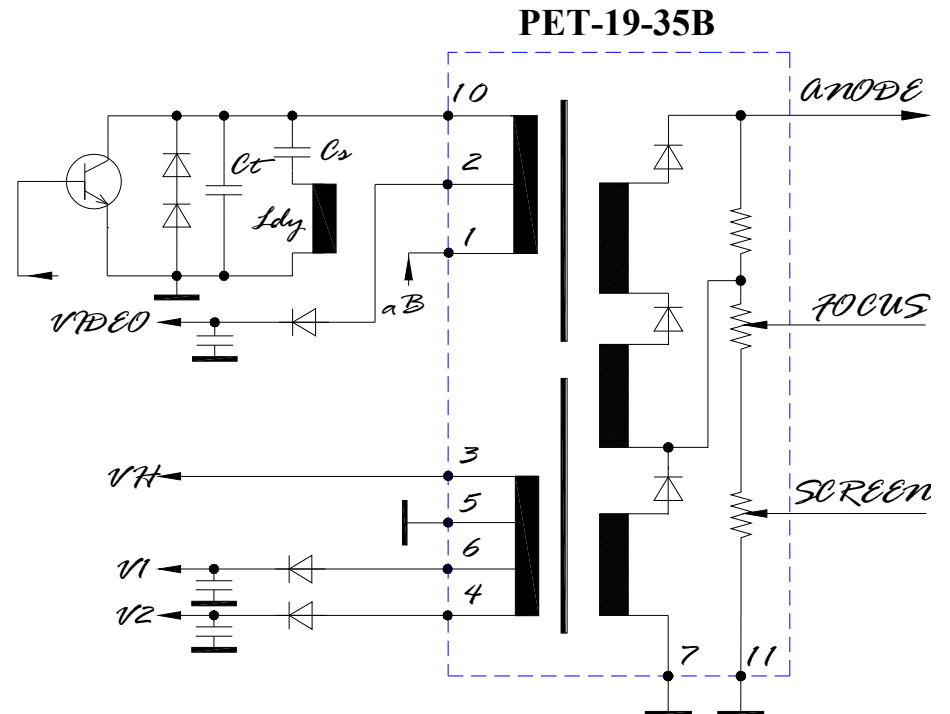
## PET-19-XX Mechanical Data



Copper side



## PET-19-XX Typical application circuit



Electric circuit may be changed at customer's request.

## Standard Models Specifications

Model	L <sub>FBT</sub> (mH)	+B (Vdc)	EHT (kV)	Beam (mA)	$\tau$ ( $\mu$ s)	Focus (kV)	Screen (kV)	Video (Vdc)	VH (Vrms)	V1 (Vdc)	V2 (Vdc)	V3 (Vdc)	V4 (Vdc)	Earth Pin No.	L <sub>DV</sub> (mH)	C <sub>T</sub> (nF)
PET-19-00	3.2 (3-10)	118	24.0	1.0	11.5	4.8-8.5	0.2-1.2	192 at10k $\Omega$ pin 5	6.8 at10 $\Omega$ pin 6	27.5 at140 $\Omega$ pin 9				7,8,11	2.2	8.2
PET-19-01	3.0 (1-10)	118	24.0	0.8	11.2	5.6-8.3	0.2-1.3	187 at 9k $\Omega$ pin 2	7.4 at11.3 $\Omega$ pin 3	120 at 120k $\Omega$ pin 8	27.4 at124 $\Omega$ pin 4			5,7,11	2.2	8.2
PET-19-03	2.97 (1-10)	125	26.0	1	11.2	5.4-9.0	0.3-1.4	205 at10k $\Omega$ pin 2	7.3 at11.3 $\Omega$ pin 3	113 at120k $\Omega$ pin 8	26.8 at124 $\Omega$ pin 4			5,7,11	2.2	8.2
PET-19-04	3.1 (1-9)	102	23.7	1.0	11.2	4.3-6.8	0.2-1.5	169 at8.5k $\Omega$ pin 5	6.9 at10 $\Omega$ pin 6	51.0 at50k $\Omega$ pin 3	7.5 at17 $\Omega$ pin 2	24.2 at150 $\Omega$ pin 10		4,7,11	2.45	6.8
PET-19-06	3.0 (1-9)	106	23.7	1.0	11.0	5.7-8.5	0.2-1.5	170 at8.5k $\Omega$ pin 5	7.2 at10 $\Omega$ pin 6	55.0 at50k $\Omega$ pin 3	7.8 at17 $\Omega$ pin 2	25.0 at150 $\Omega$ pin 10		4,7,11	2.0	7.5
PET-19-08	3.0 (6-8)	115	25.8	1.0	11.9	5.5-9.0	0.2-1.3	196 at10k $\Omega$ pin 5	7.4 at10 $\Omega$ pin 3	43.5 at4k $\Omega$ pin 9	17.1 at45 $\Omega$ pin 1			4,7,10, 11	2.2	8.6
PET-19-13	3.2 (9-1)	102	19.6	0.7	11.2	4.0-6.9	0.2-1.2	161 at9k $\Omega$ pin 5	6.3 at10 $\Omega$ pin 6	48.2 at120k $\Omega$ pin 3	22.7 at130 $\Omega$ pin 10			4,7,11	2.5	7.2
PET-19-15	3.1 (6-9)	102	23.3	0.8	11.3	4.3-8.8	0.2-1.5	185 at10k $\Omega$ pin 3	7.1 at10 $\Omega$ pin 1	57.0 at50k $\Omega$ pin 10	25.2 at170 $\Omega$ pin 4	13.0 at50 $\Omega$ pin 5		2,7,8,11	2.45	7.0



**VILNIUS VINGIS**

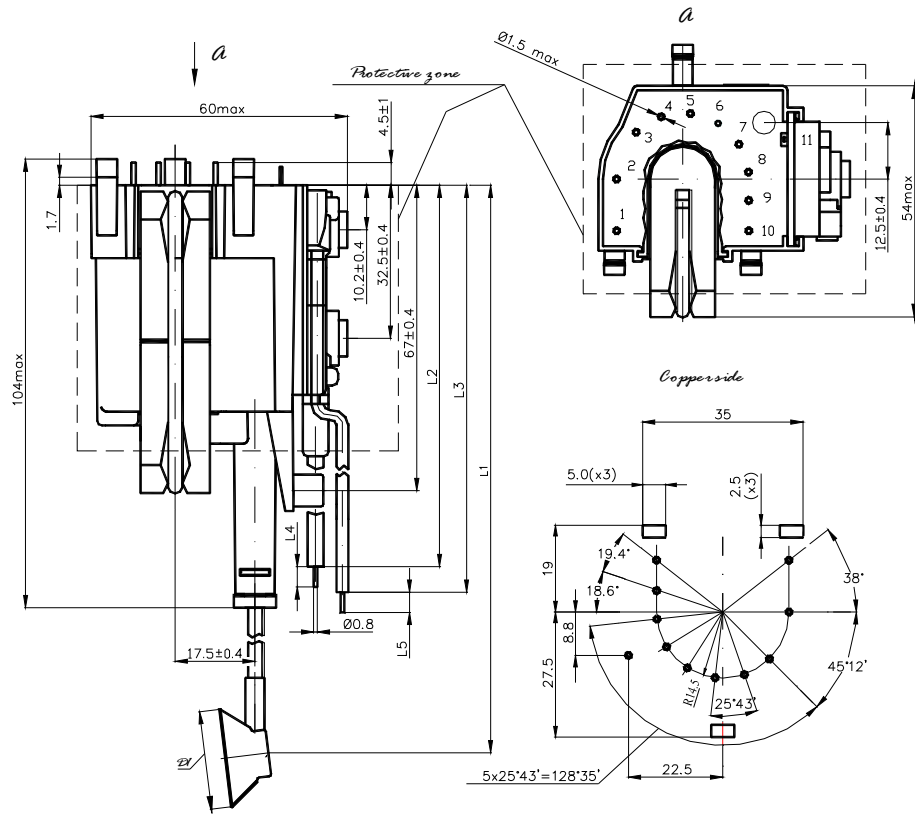
Model	L <sub>FBT</sub> (mH)	+B (Vdc)	EHT (kV)	Beam (mA)	$\tau$ ( $\mu$ s)	Focus (kV)	Screen (kV)	Video (Vdc)	VH (Vrms)	V1 (Vdc)	V2 (Vdc)	V3 (Vdc)	V4 (Vdc)	Earth Pin No.	L <sub>DY</sub> (mH)	C <sub>T</sub> (nF)
PET-19-18	3.27 (4-2)	115	23.8	1.0	11.6	5.8-8.2	0.2-1.4	178 at 9k $\Omega$ pin 1	6.7 at10 $\Omega$ pin 10	102 at120k $\Omega$ pin 3	25.0 at130 $\Omega$ pin 5			7,8,11	2.35	7.7
PET-19-18B	3.27 (4-2)	115	23.8	1.0	11.6	5.8-8.2	0.2-1.4	178 at 9k $\Omega$ pin 1	6.7 at10 $\Omega$ pin 10	102 at120k $\Omega$ pin 3	25.0 at130 $\Omega$ pin 5			7,8,11	2.35	7.7
PET-19-21	3.75 (2-10)	115	22.5	1.0	11.7	4.4-7.7	0.2-1.3	207 at10k $\Omega$ pin 5	6.7 at10 $\Omega$ pin 6					7,8,11	2.2	8.2
PET-19-22	3.1 (8-9)	124	24.3	1.0	11.8	4.8-8.5	0.2-1.3	212 at20k $\Omega$ pin 3	7.1 at10 $\Omega$ pin 1	-64 at51k $\Omega$ pin 4	26.8 at90 $\Omega$ pin 5			2,7,10, 11	2.1	9.1
PET-19-23	3.0 (8-9)	110	22.0	1.0	11.5	5.3-7.9	0.2-1.4	182 at18k $\Omega$ pin 3	6.0 at10 $\Omega$ pin 1	-50 at50k $\Omega$ pin 4	23.5 at80 $\Omega$ pin 5			2,7,10, 11	2.45	8.2
PET-19-24	3.2 (3-10)	110	23.8	1.0	10.8	5.0-8.3	0.2-1.4	195 at9.5k $\Omega$ pin 5	7.2 at10 $\Omega$ pin 6	13.0 at80 $\Omega$ pin 4	28.5 at90 $\Omega$ pin 2			7,8,9,11	2.2	6.8
PET-19-25	2.95 (1-10)	114	24.1	0.7	11.7	5.6-8.8	0.2-1.5	190 at6.3k $\Omega$ pin 2	6.9 at10 $\Omega$ pin 3	105 at120k $\Omega$ pin 8	15.5 at35 $\Omega$ pin 4	25.5 at100 $\Omega$ pin 6		5,7,11	2.45	8.2
PET-19-26	3.3 (3-10)	115	24.25	0.9	11.1	4.8-8.4	0.2-1.2	198 at 10k $\Omega$ pin 4	7.8 at10 $\Omega$ pin 6	25.8 at140 $\Omega$ pin 9				7,8,11	2.1	7.5
PET-19-28	3.56 (8-10)	115	24.2	0.8	11.3	5.6-8.7	0.2-1.5	205 at20k $\Omega$ pin 5	6.6 at10 $\Omega$ pin 1	51.0 at50k $\Omega$ pin 4	27.0 at90 $\Omega$ pin 2			3,6,7,11	2.2	7.6



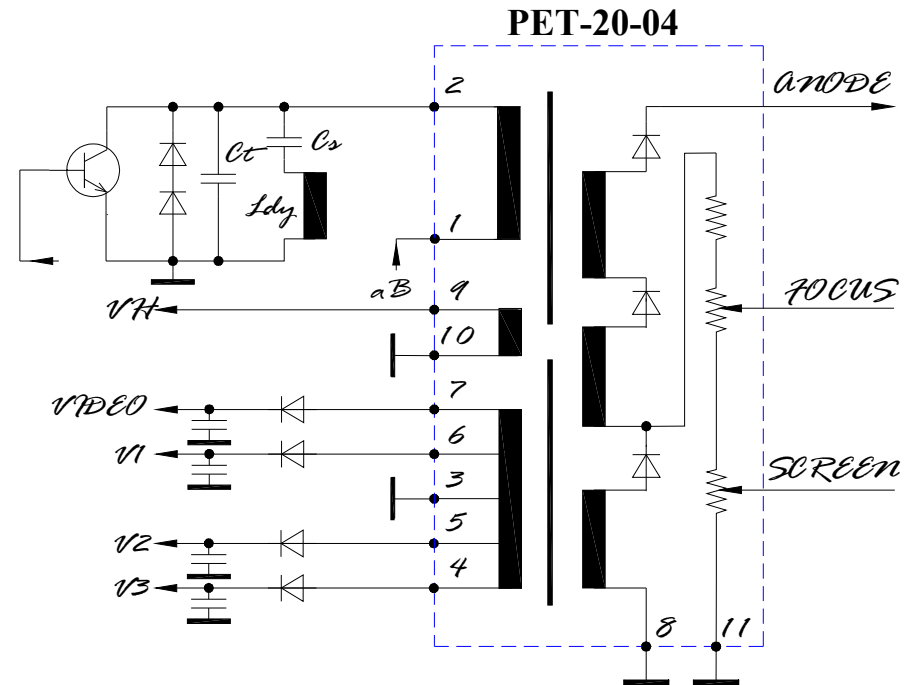
**VILNIUS VINGIS**

Model	L <sub>FBT</sub> (mH)	+B (Vdc)	EHT (kV)	Beam (mA)	$\tau$ ( $\mu$ s)	Focus (kV)	Screen (kV)	Video (Vdc)	VH (Vrms)	V1 (Vdc)	V2 (Vdc)	V3 (Vdc)	V4 (Vdc)	Earth Pin No.	L <sub>DY</sub> (mH)	C <sub>T</sub> (nF)
PET-19-29	3.60 (3-10)	115	24.5	1.0	10.8	5.0-9.0	0.2-1.5	216 at10k $\Omega$ pin 1	7.2 at10 $\Omega$ pin 6	190 at200k $\Omega$ pin 5				7,8,11	2.0	7.5
PET-19-31	3.25 (10-9)	135	25.5	1.0	12.0	5.4-8.9	0.2-1.2	173 at10 k $\Omega$ pin 5	7.2 at 10 $\Omega$ pin 3	125.0 at50k $\Omega$ pin 2	15.1 at 120 $\Omega$ pin 1	30.7 at140 $\Omega$ pin 4		6,7,11	2.5	8.6
PET-19-33B	3.0 (1-10)	126	25.3	1.0	11.5	5.0-8.8	0.2-1.2	203 at10 k $\Omega$ pin 2	7.1 at 10 $\Omega$ pin 3	102 at80 k $\Omega$ pin 8	15.6 at 60 $\Omega$ pin 6	46.7 at 4 k $\Omega$ pin 4		5,7,11	2.2	8.6
PET-19-35B	3.0 (1-10)	126	25.3	1.0	11.5	5.0-8.8	0.2-1.2	203 at10 k $\Omega$ pin 2	7.1 at 10 $\Omega$ pin 3	15.6 at 60 $\Omega$ pin 6	46.7 at 4 k $\Omega$ pin 4			5,7,11	2.2	8.6
PET-19-37	3.3 (3-10)	115	24.9	1.0	11.0	5.0-8.3	0.2-1.3	197.5 at 10k $\Omega$ pin 1	7.7 at10 $\Omega$ pin 9	-12.4 at 60 $\Omega$ pin 4	8.8 at 40 $\Omega$ pin 3	12.3 at 60 $\Omega$ pin 2		4,7,8,11	2.2	6.8
PET-19-41	3.05 (6-8)	130	26.8	1.0	11.8	5.7-9.5	0.2-1.3	199 at 10k $\Omega$ pin 5	7.3 at10 $\Omega$ pin 3	45.6 at 4 k $\Omega$ pin 9	16.4 at 45 $\Omega$ pin 1			4,7,10, 11	2.5	8.6
PET-19-A2B	2.27 (6-10)	95	23.4	1.0	11.8	4.8-8.2	0.2-1.2	161 at10k $\Omega$ pin 1	8.75 at10 $\Omega$ pin 9	6.7 at4k $\Omega$ pin 4	13.9 at60 $\Omega$ pin 3	26.9 at120 $\Omega$ pin 2		5,7,8,11	2.2	8.2

## PET-20-XX Mechanical Data



## PET-20-XX Typical application circuit



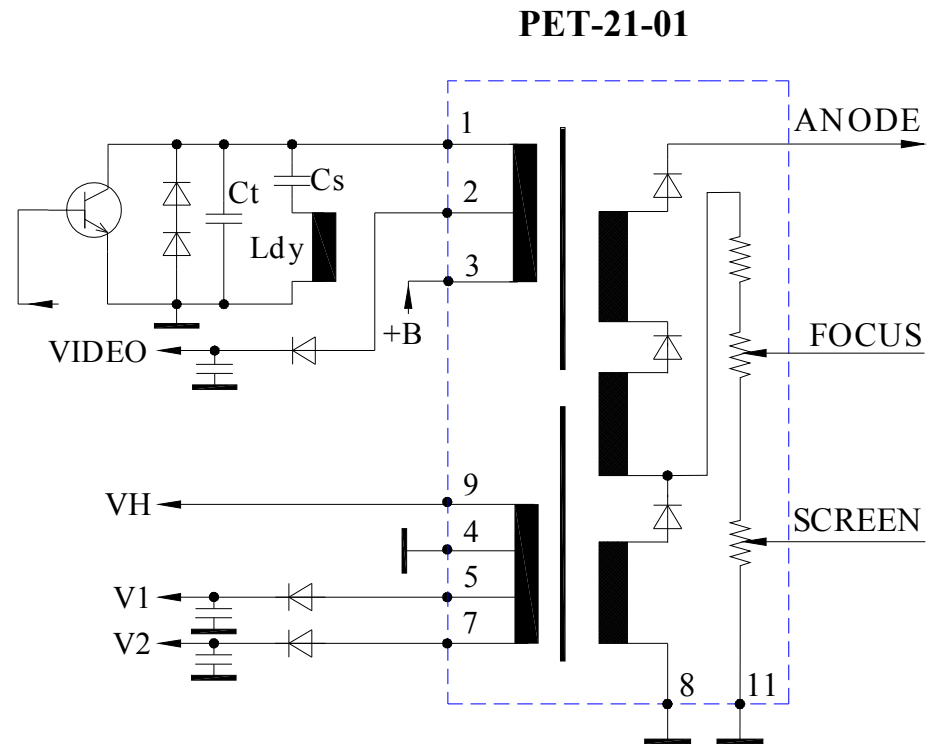
Electric circuit may be changed at customer's request.

## Standard Models Specifications

Model	L <sub>FBT</sub> (mH)	+B (Vdc)	EHT (kV)	Beam (mA)	$\tau$ ( $\mu$ s)	Focus (kV)	Screen (kV)	Video (Vdc)	VH (Vrms)	V1 (Vdc)	V2 (Vdc)	V3 (Vdc)	V4 (Vdc)	Earth Pin No.	L <sub>DV</sub> (mH)	C <sub>T</sub> (nF)
PET-20-01	3.3 (2-1)	115	25.0	1.0	11.4	4.7-8.2	0.2-1.4	205 at 6.6k $\Omega$ pin 7	6.9 at 8.4 $\Omega$ pin 6	28.0 at 440 $\Omega$ pin 10	45.5 at 204 $\Omega$ pin 3	15.5 at 240 $\Omega$ pin 4		5,8,9,11	2.1	7.7
PET-20-02B	3.3 (2-1)	115	24.2	1.0	11.1	5.0-8.6	0.2-1.3	190.0 at 5k $\Omega$ pin 4	7.0 at 10 $\Omega$ pin 5	9.4 at 40 $\Omega$ pin 7	16.7 at 40 $\Omega$ pin 9	45.9 at 1k $\Omega$ pin 6		8,10,11	2.0	7.7
PET-20-04	2.8 (1-2)	102	22.1	0.8	11.8	4.4-7.6	0.2-1.2	155.3 at 10k $\Omega$ pin 7	6.3 at 10 $\Omega$ pin 9	48.8 at 3k $\Omega$ pin 6	12.3 at 25 $\Omega$ pin 5	25.9 at 130 $\Omega$ pin 4		3,8,10,1 1	2.5	8.2
PET-20-05	2.95 (1-2)	105	23.0	1.0	11.3	4.5-8.0	0.2-1.3	179.2 at 10k $\Omega$ pin 7	6.6 at 10 $\Omega$ pin 10	48.9 at 3k $\Omega$ pin 6	13.15 at 30 $\Omega$ pin 5	26.8 at 130 $\Omega$ pin 4		3,8,9,11	1.9	9.6

## PET-21-XX Mechanical Data

## PET-21-XX Typical application circuit



Electric circuit may be changed at customer's request.





**VILNIUS VINGIS**

Model	L <sub>FBT</sub> (mH)	+B (Vdc)	EHT (kV)	Beam (mA)	$\tau$ ( $\mu$ s)	Focus (kV)	Screen (kV)	Video (Vdc)	VH (Vrms)	V1 (Vdc)	V2 (Vdc)	V3 (Vdc)	V4 (Vdc)	Earth Pin No.	L <sub>DY</sub> (mH)	C <sub>T</sub> (nF)
PET-21-01	3.25 (3-1)	115	24.1	1.0	11.8	5.0-8.4	0.2-1.2	193 at10 k $\Omega$ pin 2	6.9 at 10 $\Omega$ pin 9	16.5 at 60 $\Omega$ pin 5	49.0 at 4 k $\Omega$ pin 7			4,8,11	2.2	8.6
PET-21-02	2.35 (5-1)	110	23.8	1.0	11.5	5.0-7.9	0.2-1.2	187 at 10k $\Omega$ pin 4	7.9 at10 $\Omega$ pin 3	26.8 at140 $\Omega$ pin 7				2,6,9,11	2.3	8.6
PET-21-03	3.17 (1-10)	115	24.2	1.0	11.8	5.1-8.0	0.2 -1.2	192 at 10k $\Omega$ pin 2	6.9 at 10 $\Omega$ pin 3	27.0 at 60 $\Omega$ pin 4				5,8,11	2.2	8.6
PET-21-04	3.1 (2-1)	115	23.8	1.0	11.8	5.0-7.9	0.2-1.2	183.5 at10k $\Omega$ pin 7	7.2 at10 $\Omega$ pin 6	11.9 at60 $\Omega$ pin 4	27.4 at90 $\Omega$ pin 10			5,8,9,11	2.1	8.2
PET-21-05	3.05 (2-1)	115	23.8	1.0	11.8	5.0-7.9	0.2-1.2	186 at10k $\Omega$ pin 7	7.2 at10 $\Omega$ pin 6	16.0 at80 $\Omega$ pin 4	28.2 at90 $\Omega$ pin 10	47.2 at1k $\Omega$ pin 3		5,8,11	2.1	8.2
PET-21-07	3.1 (5-1)	110	23.8	1.0	11.5	5.0-7.9	0.2-1.2	187 at 10k $\Omega$ pin 4	7.9 at10 $\Omega$ pin 3	-13 at140 $\Omega$ pin 8	13 at140 $\Omega$ pin 7			2,6,9,11	2.3	8.6
PET-21-09B	3.45 (2-1)	125	23.8	1.0	11.3	5.1-8.0	0.2-1.3	197 at10 k $\Omega$ pin 7	7.55 at 10 $\Omega$ pin 9	46.9 at 4 k $\Omega$ pin 6	13.1 at 60 $\Omega$ pin 3	16.8 at120 $\Omega$ pin 4		5,8,10, 11	2.3	8.2
PET-21-10	3.17 (6-1)	115	24.8	1.0	11.0	5.3-8.1	0.2-1.2	202 at10k $\Omega$ pin 8	7.7 at10 $\Omega$ pin 9	-11.5 at60 $\Omega$ pin 2	9.1 at 40 $\Omega$ pin 4	11.5 at60 $\Omega$ pin 5		7,10,11	2.2	6.8
PET-21-12B	3.3 (1-10)	125	24.2	1.0	11.3	5.1-8.0	0.2-1.2	215 at10 k $\Omega$ pin 2	7.4 at 10 $\Omega$ pin 3	29.5 at 120 $\Omega$ pin 4	42.6 at 4 k $\Omega$ pin 6			5,8, 11	2.3	7.5



## Standard Models Specifications

Model	L <sub>FBT</sub> (mH)	+B (Vdc)	EHT (kV)	Beam (mA)	$\tau$ ( $\mu$ s)	Focus (kV)	Screen (kV)	Video (Vdc)	VH (Vrms)	V1 (Vdc)	V2 (Vdc)	V3 (Vdc)	V4 (Vdc)	Earth Pin No.	L <sub>DY</sub> (mH)	C <sub>T</sub> (nF)
PET-22-01	3.3 (1-3)	118	25.75	0.8	11.4	6.2-9.0	0.2-1.4	192 at10k $\Omega$ pin 2	7.0 at10 $\Omega$ pin 9	79.0 at80k $\Omega$ pin 10	17.0 at60 $\Omega$ pin 5	26.5 at120 $\Omega$ pin 6	43.0 at 4k $\Omega$ pin 7	4,8,11	2.0	8.6
PET-22-02	3.8 (1-10)	125	24.0	1.0	11.3	5.5-9.0	0.2-1.3	215 at8.5k $\Omega$ pin 2	7.5 at10 $\Omega$ pin 3	31.0 at100 $\Omega$ pin 4				5,8,11	2.2	8.2
PET-22-03	3.6 (1-11)	125	23.3	1.0	11.3	5.9-8.1	0.2-1.2	209 at12k $\Omega$ pin 2	7.0 at10 $\Omega$ pin 4	26.3 at85 $\Omega$ pin 3				5,7,10, 12	2.2	8.2
PET-22-04	3.65 (1-10)	130	26.8	1.0	11.3	6.0-9.5	0.2-1.3	215 at8.5k $\Omega$ pin 2	7.4 at10 $\Omega$ pin 3	30.5 at100 $\Omega$ pin 4				5,8,11	2.2	8.2
PET-22-08	3.1 (5-1)	110	23.0	1.0	10.6	5.0-8.2	0.2-1.2	180 at 10k $\Omega$ pin 4	7.3 at10 $\Omega$ pin 3	28.3 at140 $\Omega$ pin 7				2,6,9,11	2.45	6.8
PET-22-11	3.25 (4-10)	110	23.3	1.0	11.4	5.1-8.2	0.2-1.2	180 at 10k $\Omega$ pin 2	7.0 at10 $\Omega$ pin 5	26.7 at140 $\Omega$ pin 7				1,3,8,11	2.2	8.2
PET-22-15B	3.42 (1-10)	125	24.4	1.0	11.1	5.5-8.8	0.2-1.3	222.0 at10 k $\Omega$ pin 2	7.2 at 10 $\Omega$ pin 3	29.8 at 120 $\Omega$ pin 4	38.6 at 4 k $\Omega$ pin 6			5,8,11	2.2	7.5
PET-22-17	2.8 (1-10)	85	24.0	1.0	11.2	5.0-8.2	0.2-1.2	159.0 at10 k $\Omega$ pin 2	6.8 at 10 $\Omega$ pin 3	21.0 at 60 $\Omega$ pin 5				4,7,11	1.5	8.8



**VILNIAUS VINGIS**

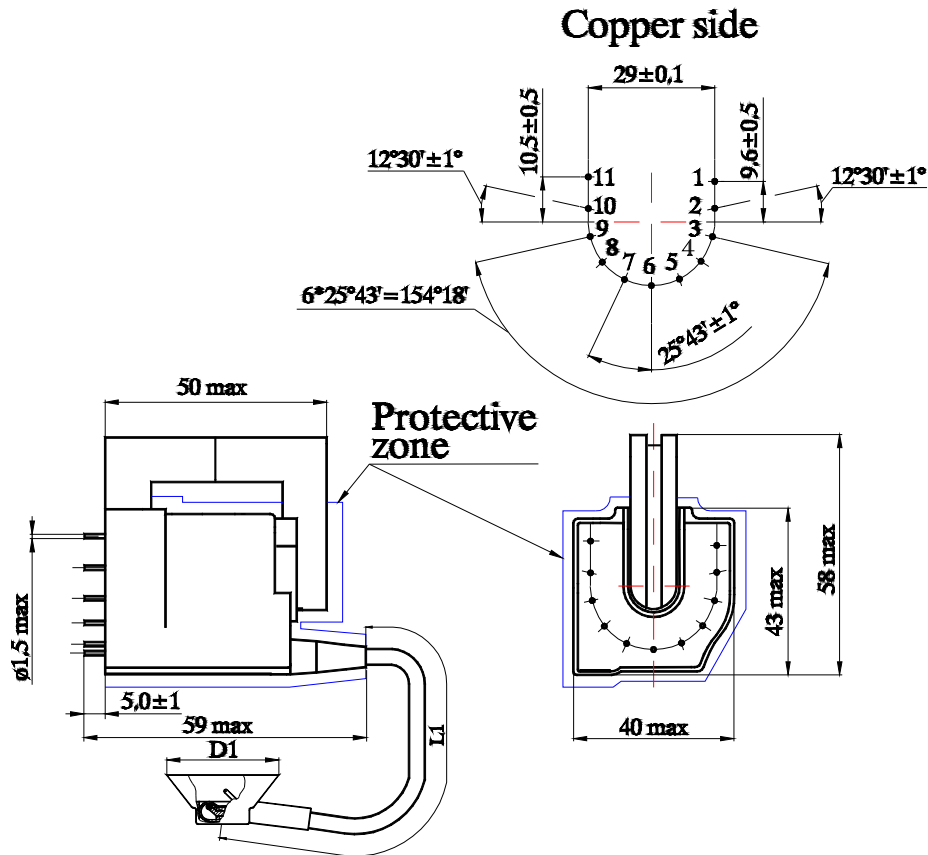
Model	L <sub>FBT</sub> (mH)	+B (Vdc)	EHT (kV)	Beam (mA)	$\tau$ ( $\mu$ s)	Focus (kV)	Screen (kV)	Video (Vdc)	VH (Vrms)	V1 (Vdc)	V2 (Vdc)	V3 (Vdc)	V4 (Vdc)	Earth Pin No.	L <sub>DY</sub> (mH)	C <sub>T</sub> (nF)
PET-22-21	3.3 (2-1)	115	24.1	1.0	11.1	5.0-8.6	0.2-1.3	190.0 at 5k $\Omega$ pin 4	7.0 at 10 $\Omega$ pin 5	9.4 at 40 $\Omega$ pin 7	16.7 at 40 $\Omega$ pin 9	45.9 at 1k $\Omega$ pin 6		8,10,11	2.0	7.7
PET-22-22B	3.45 (2-1)	125	23.6	1.0	11.2	5.0-8.1	0.2-1.3	199 at 10 k $\Omega$ pin 7	7.55 at 10 $\Omega$ pin 9	46.2 at 4 k $\Omega$ pin 6	13.4 at 60 $\Omega$ pin 3	16.9 at 120 $\Omega$ pin 4		5,8,10, 11	2.2	8.2
PET-22-23	3.22 (3-1)	115	24.0	1.0	11.8	5.0-8.4	0.2-1.2	190 at 10 k $\Omega$ pin 2	7.0 at 10 $\Omega$ pin 9	14.6 at 60 $\Omega$ pin 5	49.7 at 4 k $\Omega$ pin 7			4,8,11	2.2	8.6
PET-22-25	3.55 (3-1)	145	27.1	1.0	11.4	5.7-9.3	0.2-1.2	192 at 10k $\Omega$ pin 2	7.4 at 20 $\Omega$ pin 9	16.3 at 55 $\Omega$ pin 5	47.1 at 3k $\Omega$ pin 7			4,8,11	1.5	11.6
PET-22-27	3.23 (1-10)	115	24.5	1.0	11.8	5.0-8.8	0.2-1.2	192 at 10k $\Omega$ pin 2	6.9 at 10 $\Omega$ pin 3	26.9 at 60 $\Omega$ pin 4				5,8,11	2.2	8.6
PET-22-28B	3.35 (4-1)	115	23.9	1.0	11.1	5.0-8.6	0.2-1.3	187 at 7k $\Omega$ pin 9	6.9 at 10 $\Omega$ pin 10	45.0 at 3 k $\Omega$ pin 3	9.3 at 40 $\Omega$ pin 6	16.8 at 40 $\Omega$ pin 5		7,8,11	2.0	8.2
PET-22-29B	3.44 (4-1)	118	25.2	1.0	11.3	5.4-9.0	0.2-1.3	199 at 7k $\Omega$ pin 8	7.15 at 10 $\Omega$ pin 7	-13.2 at 50 $\Omega$ pin 3	8.9 at 20 $\Omega$ pin 9	13.3 at 50 $\Omega$ pin 5		6,10,11	2.0	8.2
PET-22-33B	3.05 (2-1)	114	26.2	1.0	11.8	5.5-9.0	0.2-1.2	198 at 10k $\Omega$ pin 7	7.0 at 10 $\Omega$ pin 6	12.1 at 60 $\Omega$ pin 4	27.3 at 90 $\Omega$ pin 10			5,8,9,11	2.2	8.2
PET-22-34	3.05 (2-1)	114	24.0	1.0	11.8	5.0-8.2	0.2-1.2	185 at 10k $\Omega$ pin 7	7.1 at 10 $\Omega$ pin 6	11.2 at 60 $\Omega$ pin 4	27.4 at 90 $\Omega$ pin 10			5,8,9,11	2.2	8.2



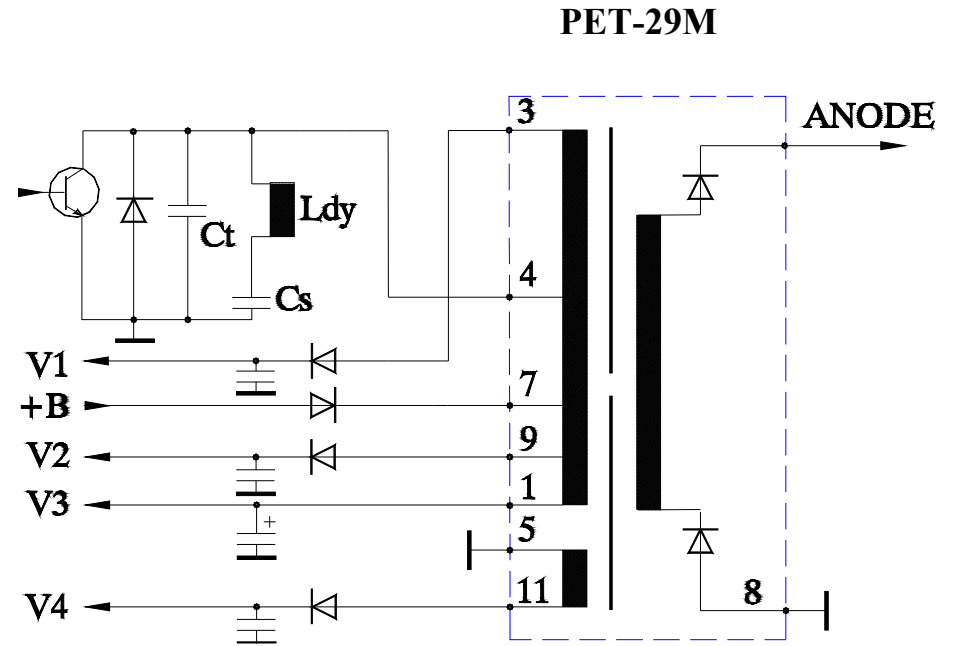
**VILNIUS VINGIS**

Model	L <sub>FBT</sub> (mH)	+B (Vdc)	EHT (kV)	Beam (mA)	$\tau$ ( $\mu$ s)	Focus (kV)	Screen (kV)	Video (Vdc)	VH (Vrms)	V1 (Vdc)	V2 (Vdc)	V3 (Vdc)	V4 (Vdc)	Earth Pin No.	L <sub>DY</sub> (mH)	C <sub>T</sub> (nF)
PET-22-37B	4.5 (2-1)	150	27.0	1.0	11.8	5.5-9.3	0.2-1.2	210 at7k $\Omega$ pin 7	7.3 at10 $\Omega$ pin 9	17.0 at40 $\Omega$ pin 4	-138 at 1M $\Omega$ pin 5	46.0 at1k $\Omega$ pin 3		6,8,10, 11	1.5	11.6
PET-22-39B	3.1 (2-1)	114	26.0	1.0	11.8	5.5-9.0	0.2-1.2	204 at10k $\Omega$ pin 7	7.1 at10 $\Omega$ pin 6	16.3 at80 $\Omega$ pin 4	27.3 at140 $\Omega$ pin 10	45.5 at1k $\Omega$ pin 3		5,8,11	2.2	8.2
PET-22-40	3.25 (6-1)	115	24.9	1.0	11.0	5.0-8.3	0.2-1.2	199 at10k $\Omega$ pin 8	7.5 at10 $\Omega$ pin 9	-11.2 at60 $\Omega$ pin 2	8.8 at 40 $\Omega$ pin 4	11.2 at60 $\Omega$ pin 5		7,10,11	2.2	6.8
PET-22-41B	4.5 (2-1)	150	27.0	1.0	11.5	5.5-9.3	0.2-1.2	212 at7k $\Omega$ pin 7	7.3 at10 $\Omega$ pin 9	-14.4 at40 $\Omega$ pin 6	14.6 at40 $\Omega$ pin 4	-140 at 1M $\Omega$ pin 5	46.4 at1k $\Omega$ pin 3	8,10,11	1.5	11.0
PET-22-43	2.1 (2-1)	120	26.2	1	11,6	5.5-9.2	0.2-1.2	188 at 10kOhm pin 4	8.1 at 10 Ohm pin 3	28 at 140Ohm pin 7				2,6,9,11	2.5	9.1
PET-22-A5	3.2 (2-1)	112	22.0	1.0	11.7	4.5-7.7	0.2-1.2	146 at 10k $\Omega$ pin 10	6.1 at10 $\Omega$ pin 9	20.6 at80k $\Omega$ pin 5	12.2 at60 $\Omega$ pin 7	27.3 at 120 $\Omega$ pin 6		3,4,8,11	2.7	7.2
PET-22-B6	3.22 (3-1)	115	24.2	1.0	11.3	5.1-8.5	0.2-1.2	192 at10k $\Omega$ pin 2	6.9 at10 $\Omega$ pin 9	74.0 at80 $\Omega$ pin 10	14.2 at60 $\Omega$ pin 5	26.5 at120 $\Omega$ pin 6	37.1 at4.0k $\Omega$ pin 7	4,8,11	2.2	8.6
PET-22-E9	4.0 (2-1)	130	26,2	1.0	11,6	5.5 - 9.0	0.2 - 1.2	196 at 10 kOhm pin 3	7.7 at 10 Ohm pin 5	-11.3 at 50 Ohm pin 4	51 at 1 kOhm pin 9	8.2 at 40 Ohm pin 6	11.8 at 50 Ohm pin 7	8,10	2,1	9.1

## PET-29M-XX Mechanical Data



## PET-29M-XX Typical application circuit



Electric circuit may be changed at customer's request.

## Standard Models Specifications

Model	L <sub>FBT</sub> (mH)	+B (Vdc)	EHT (kV)	Beam (mA)	$\tau$ ( $\mu$ s)	Focus (kV)	Screen (kV)	Video (Vdc)	VH (Vrms)	V1 (Vdc)	V2 (Vdc)	V3 (Vdc)	V4 (Vdc)	Earth Pin No.	L <sub>DY</sub> (mH)	C <sub>T</sub> (nF)
PET-29M	0.9 (1-4)	11	11.9	0.15	11.5					412 at436k $\Omega$ pin 3	114 at11.2k $\Omega$ pin 9	25.5 at26.2k $\Omega$ pin 1	13.7 at15.8k $\Omega$ pin 11	5,8	0.38	31
PET-29M-01	7.3 (2-1)	60	10.7	0.25	11.5	0.470 pin 11		55 at5.5k $\Omega$ pin 10						7,8	1.2	11.2
PET-29M-04	0.65 (1-5)	10.5	8.4	0.1	10.6			65 at6.8k $\Omega$ pin 9	42(Vdc) at1.5k $\Omega$ pin 2	390 at1.M $\Omega$ pin 3	14.6 at 1M $\Omega$ pin 1			8,11	0.3	31
PET-29M-06	4.0 (1-3)	96	15.8	0.3	11.6			160 at 16k $\Omega$ pin 4	6.3 at 20 $\Omega$ pin 5	405 at27M $\Omega$ pin 11	42.5 at2.8M $\Omega$ pin 9	25 at 160 $\Omega$ pin 8		6,7,10	1.65	10
PET-29M-07	3.85 (1-3)	47	11.9	0.2	11.8			127 at 12k $\Omega$ pin 4	12.7 at 140 $\Omega$ pin 5	318 at315k $\Omega$ pin 11	46.0 at46k $\Omega$ pin 9	17.0 at 90 $\Omega$ pin 8		6,7,10	1.2	10

### PET-32-XX Mechanical Data

### PET-32-XX Typical application circuit

**PET-32-01**



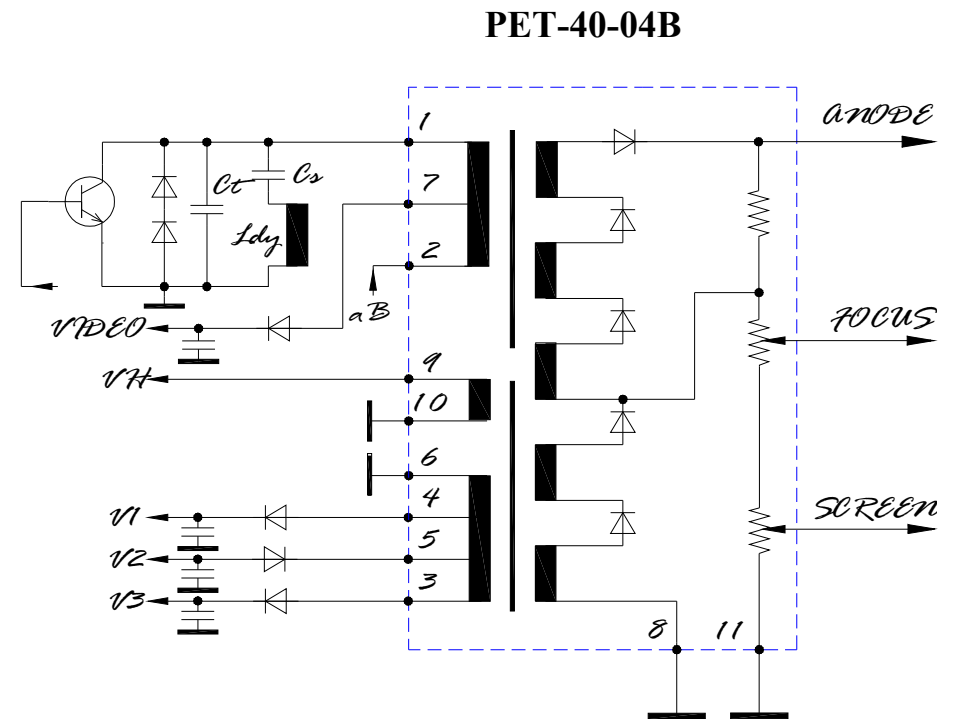


## Standard Models Specifications

Model	L <sub>FBT</sub> (mH)	+B (Vdc)	EHT (kV)	Beam (mA)	$\tau$ ( $\mu$ s)	Focus (kV)	Screen (kV)	Video (Vdc)	VH (Vrms)	V1 (Vdc)	V2 (Vdc)	V3 (Vdc)	V4 (Vdc)	Earth Pin No.	L <sub>DY</sub> (mH)	C <sub>T</sub> (nF)
PET-32-01	3.6 (6-8)	143	25.5	1.5	11.6	5.6-9.0	0.2-1.3	201 at10k $\Omega$ pin 5	6.95 at20 $\Omega$ pin 3	1230 at1 M $\Omega$ pin 2	41.1 at3k $\Omega$ pin 9	17.2 at55 $\Omega$ pin 1		4,7,10, 11	1.5	13.0
PET-32-02	4.0 (2-1)	143	26.7	1.2	11.2	6.0-9.2	0.2-1.2	194 at10k $\Omega$ pin 3	6.7 at10 $\Omega$ pin 6	110 at5 k $\Omega$ pin 4	28 at90 $\Omega$ pin 8			5,7,10, 11	1.5	11.2
PET-32-03	4.6 (3-10)	150	26.2	1.0	11.4	5.9-9.0	0.2-1.2	196 at20k $\Omega$ pin 5	6.9 at10 $\Omega$ pin 6	27.5 at140 $\Omega$ pin 9				7,8,11	1.5	11.6
PET-32-05	4.5 (10-4)	149	25.1	1.0	11.6	5.0-8.4	0.2-1.3	193 at20k $\Omega$ pin 5	6.8 at20 $\Omega$ pin 8	47 at50 k $\Omega$ pin 6	-92 at100k $\Omega$ pin 2	17.5 at60 $\Omega$ pin 1	42.5 at850 $\Omega$ pin 3	7,9,11	1.85	11.6
PET-32-06	3.7 (1-10)	140	25.8	1.5	11.2	5.9-9.0	0.2-1.4	208 at 10k $\Omega$ pin 2	6.7 at10 $\Omega$ pin 3	28.3 at 85 $\Omega$ pin 4				5,7,11	1.5	11.2
PET-32-A6	3.9 (8-9)	149	24.3	1.0	10.8	5.0-9.0	0.2-1.2	195 at10k $\Omega$ pin 7	7.3 at10 $\Omega$ pin 3	48.0 at50k $\Omega$ pin 2	18.2 at120 $\Omega$ pin 1	28.0 at140 $\Omega$ pin 5		4,6,7,10	1.85	10.2

## PET-40-XX Mechanical Data

## PET-40-XX Typical application circuit

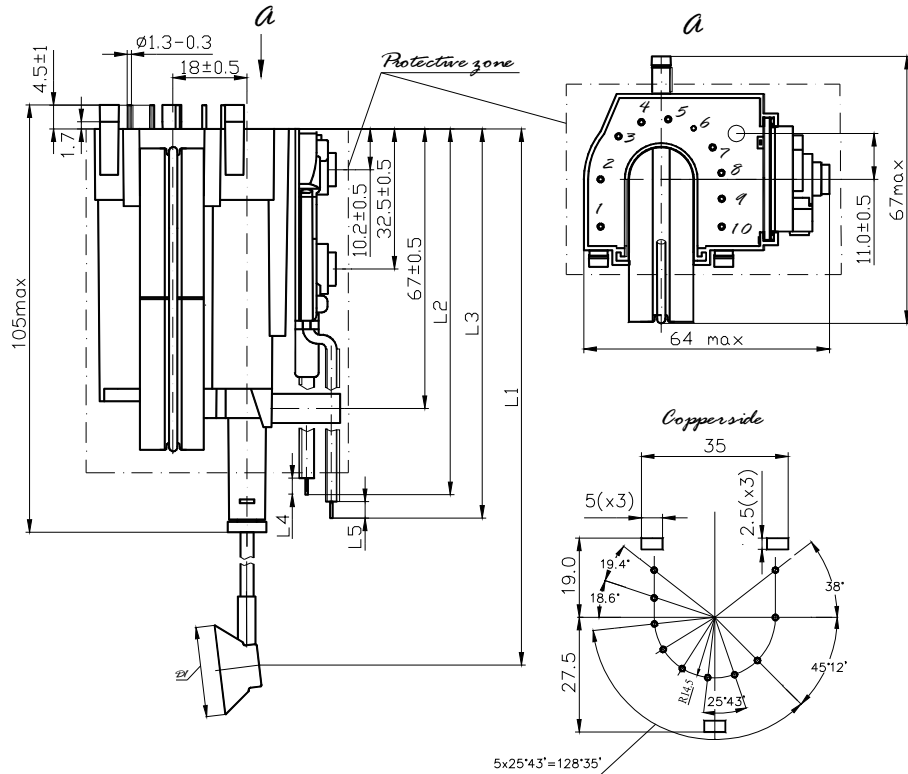


Electric circuit may be changed at customer's request.

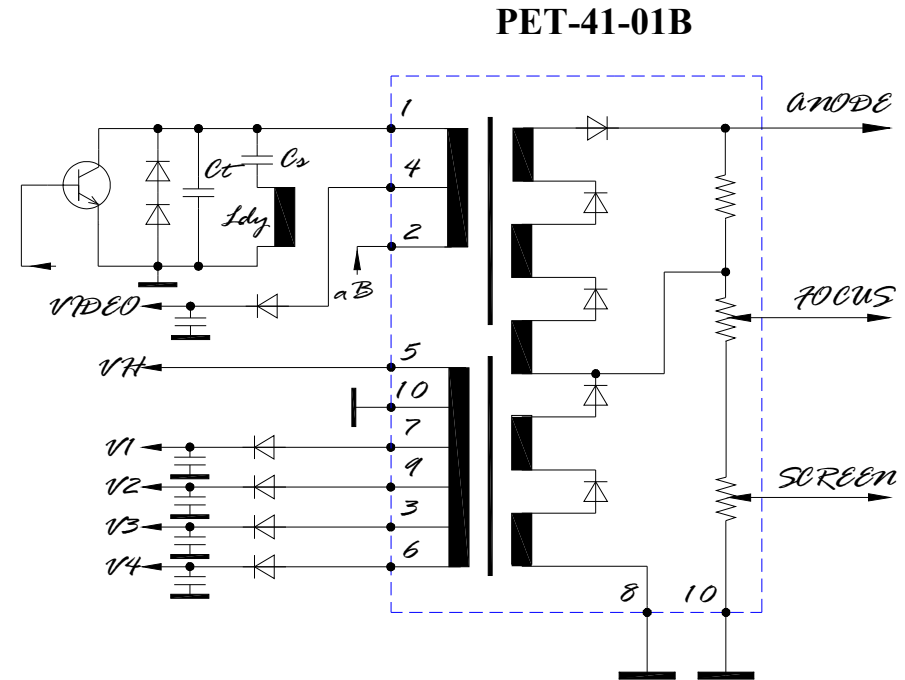
### Standard Models Specifications

Model	L <sub>FBT</sub> (mH)	+B (Vdc)	EHT (kV)	Beam (mA)	$\tau$ ( $\mu$ s)	Focus (kV)	Screen (kV)	Video (Vdc)	VH (Vrms)	V1 (Vdc)	V2 (Vdc)	V3 (Vdc)	V4 (Vdc)	Earth Pin No.	L <sub>DY</sub> (mH)	C <sub>T</sub> (nF)
PET-40-01B	4.05 (2-1)	145	26.3	1.0	11.1	5.7-9.3	0.2-1.3	191 at10k $\Omega$ pin 3	7.2 at10 $\Omega$ pin 9	104 at 1 M $\Omega$ pin 5	63.8 at 1M $\Omega$ pin 4	14.1 at30 $\Omega$ pin 7		6,8,10	1.5	12.0
PET-40-02	4.0 (3-1)	145	27.3	1.5	11.2	6.0-9.6	0.2-1.3	192.5 at10k $\Omega$ pin 2	7.5 at10 $\Omega$ pin 9	15.9 at 55 $\Omega$ pin 5	45.4 at3k $\Omega$ pin 7			4,8,11	1.5	11.6
PET-40-03B	4.1 (2-1)	145	27.4	1.0	11.6	5.7-9.6	0.2-1.3	207.5 at10k $\Omega$ pin 7	7.2 at10 $\Omega$ pin 9	12.4 at40 $\Omega$ pin 3	15.6 at55 $\Omega$ pin 4	45.7 at2k $\Omega$ pin 6		5,8,10, 11	1.5	13.0
PET-40-04B	3.9 (2-1)	150	26.7	1.0	11.1	5.5-9.4	0.2-1.3	210 at 7 k $\Omega$ pin 7	7.35 at10 $\Omega$ pin 9	17.1 at 40 $\Omega$ pin 4	-140 at1M $\Omega$ pin 5	45.9 at 1k $\Omega$ pin 3		6,8,10, 11	1.5	11.6
PET-40-07BH	2.15 (2-1)	142	28.5	1.5	5.6	6.7-10.5	0.2-1.3	210 at 7 k $\Omega$ pin 3	7.5 at 10 $\Omega$ pin 10	87.0 at 1 M $\Omega$ pin 4	12.0 at 25 $\Omega$ pin 5	28.9 at 140 $\Omega$ pin 6	45.3 at 2 k $\Omega$ pin 6	8,9,11	0.34	11.2
PET-40-11B	3.9 (2-1)	142	28.5	1.5	11.1	6.0-10	0.2-1.3	212 at 7 k $\Omega$ pin 7	7.65 at10 $\Omega$ pin 9	16.2 at 40 $\Omega$ pin 4	-145 at1M $\Omega$ pin 5	44.3 at 1k $\Omega$ pin 3		6,8,10, 11	1.2	13.0
PET-40-12	3.9 (3-1)	125	27.5	1.5	11.5	6.0-9.6	0.2-1.3	199 at10k $\Omega$ pin 2	7.45 at10 $\Omega$ pin 9	16.3 at 55 $\Omega$ pin 5	46.7 at3k $\Omega$ pin 7			4,8,11	1.3	13.0
PET-40-14B	4.1 (2-1)	142	28.5	1.5	11.1	6.0-10	0.2-1.3	212 at 7 k $\Omega$ pin 7	7.7 at10 $\Omega$ pin 9	-14.1 at 40 $\Omega$ pin 6	14.3 at 40 $\Omega$ pin 4	-145 at 1M $\Omega$ pin 5	45.6 at 1k $\Omega$ pin 3	8,10, 11	1.3	11.6
PET-40-15B	3.65 (2-1)	125	27.6	1.5	11.6	6.0-9.5	0.2-1.3	200 at 10k $\Omega$ pin 7	7.2 at20 $\Omega$ pin 9	16.7 at 55 $\Omega$ pin 4	46.8 at 3 k $\Omega$ pin 6			5,8,10, 11	1.2	15

## PET-41-XX Mechanical Data



## PET-41-XX Typical application circuit



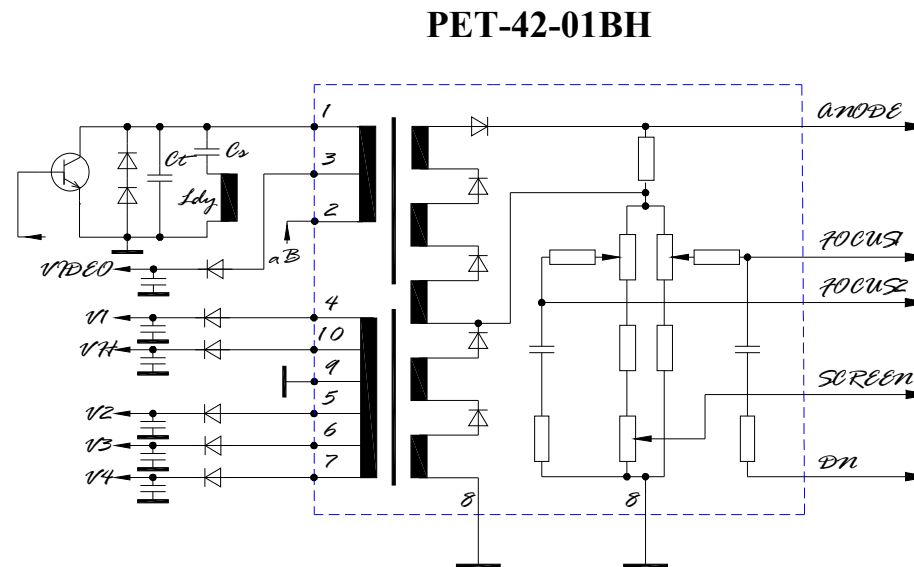
Electric circuit may be changed at customer's request.

## Standard Models Specifications

<b>Model</b>	<b>L<sub>FBT</sub></b> <b>(mH)</b>	<b>+B</b> <b>(Vdc)</b>	<b>EHT</b> <b>(kV)</b>	<b>Beam</b> <b>(mA)</b>	<b>τ</b> <b>(μs)</b>	<b>Focus</b> <b>(kV)</b>	<b>Screen</b> <b>(kV)</b>	<b>Video</b> <b>(Vdc)</b>	<b>VH</b> <b>(Vrms)</b>	<b>V1</b> <b>(Vdc)</b>	<b>V2</b> <b>(Vdc)</b>	<b>V3</b> <b>(Vdc)</b>	<b>V4</b> <b>(Vdc)</b>	<b>Earth</b> <b>Pin No.</b>	<b>L<sub>DY</sub></b> <b>(mH)</b>	<b>C<sub>T</sub></b> <b>(nF)</b>
PET-41-01B	3.73 (2-1)	145	27.6	1.5	11.6	6.0-9.7	0.2-1.3	193 at10kΩ pin 4	7.0 at10Ω pin 5	9.5 at 40 Ω pin 7	16.0 at32Ω pin 9	-215 at100kΩ pin 3	45.6 at1kΩ pin 6	8,10	1.5	11.0

## PET-42-XX Mechanical Data

## PET-42-XX Typical application circuit



Electric circuit may be changed at customer's request.

## Standard Models Specifications

Model	L <sub>FBT</sub> (mH)	+B (Vdc)	EHT (kV)	Beam (mA)	$\tau$ ( $\mu$ s)	Focus1,2 (kV)	Screen (kV)	Video (Vdc)	VH (Vrms)	V1 (Vdc)	V2 (Vdc)	V3 (Vdc)	V4 (Vdc)	Earth Pin No.	L <sub>DY</sub> (mH)	C <sub>T</sub> (nF)
PET-42-01BH	2.15 (2-1)	142	28.5	1.5	5.6	6.7-10.5	0.2-1.3	210 at 7 k $\Omega$ pin 3	7.5 at 10 $\Omega$ pin 10	87.0 at 1 M $\Omega$ pin 4	12.0 at 25 $\Omega$ pin 5	28.9 at 140 $\Omega$ pin 6	45.3 at 2 k $\Omega$ pin 6	8,9,11	0.34	11.2