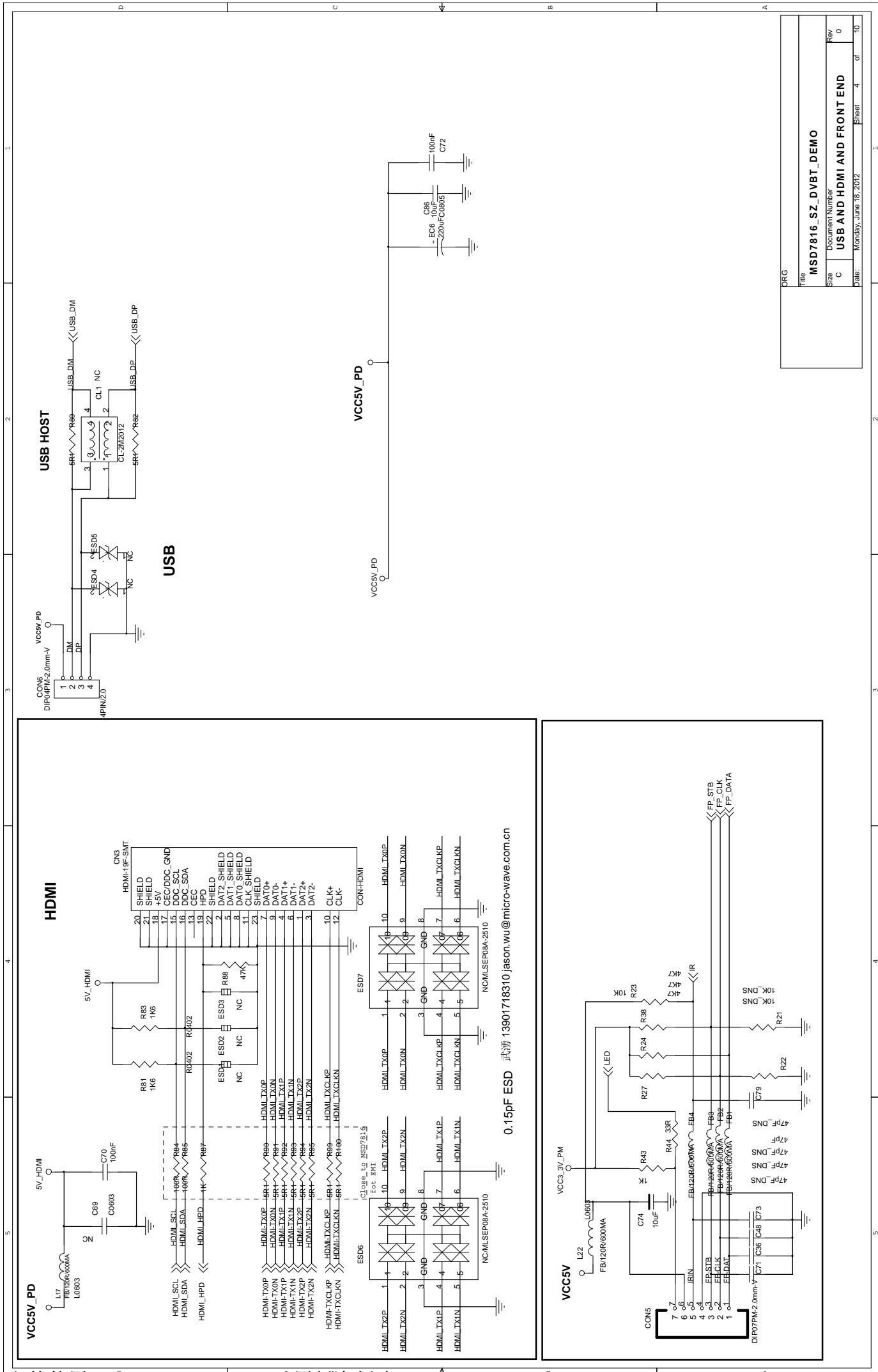
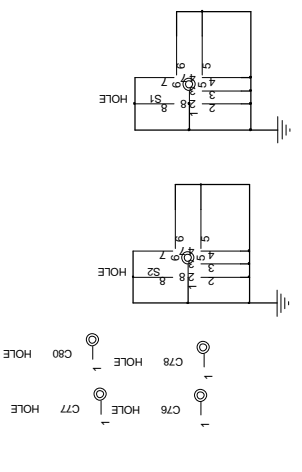
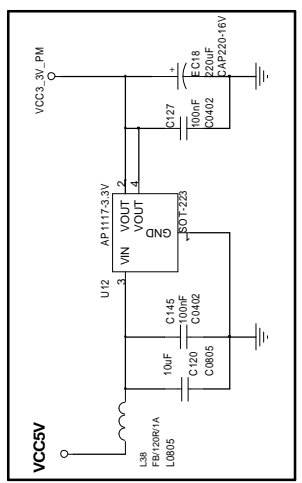
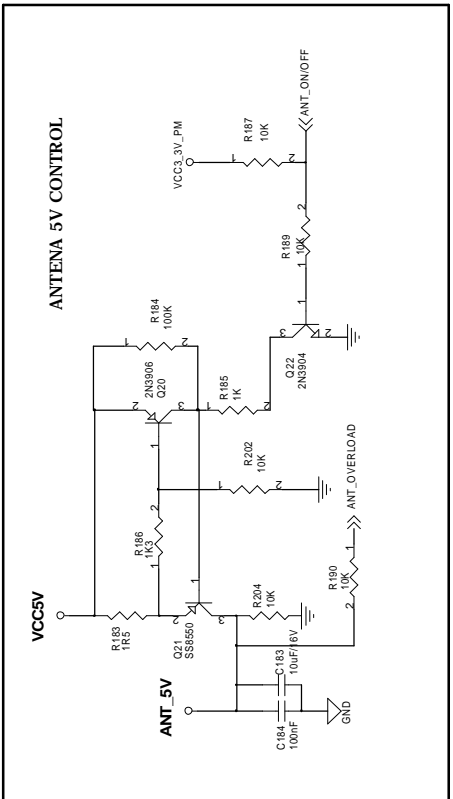
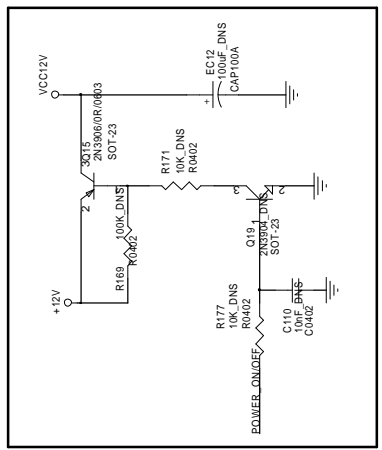
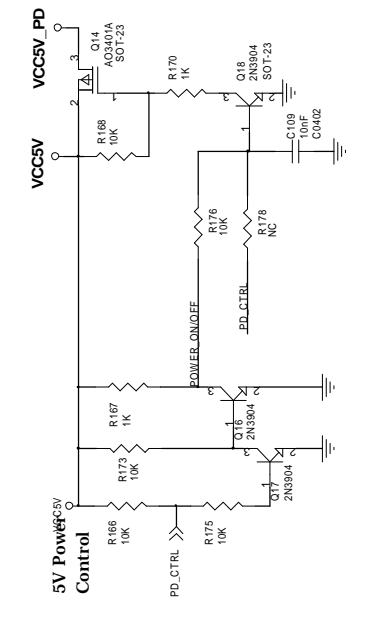
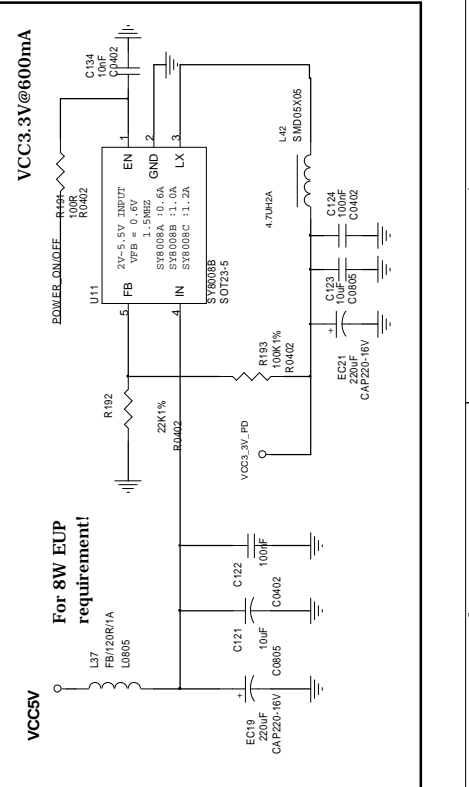
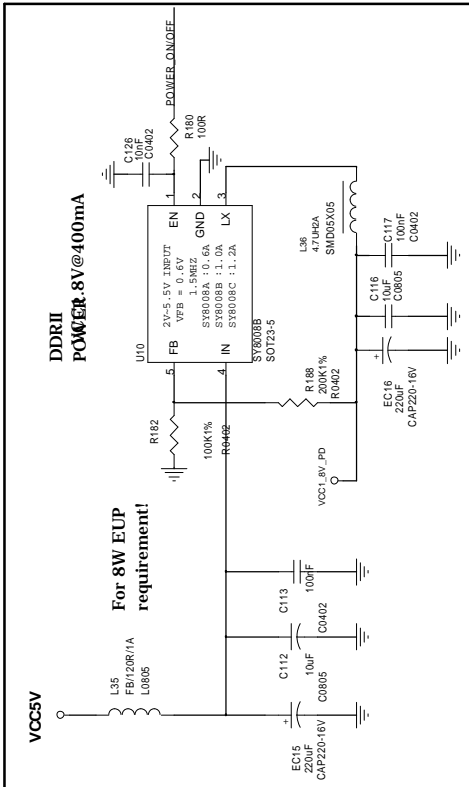
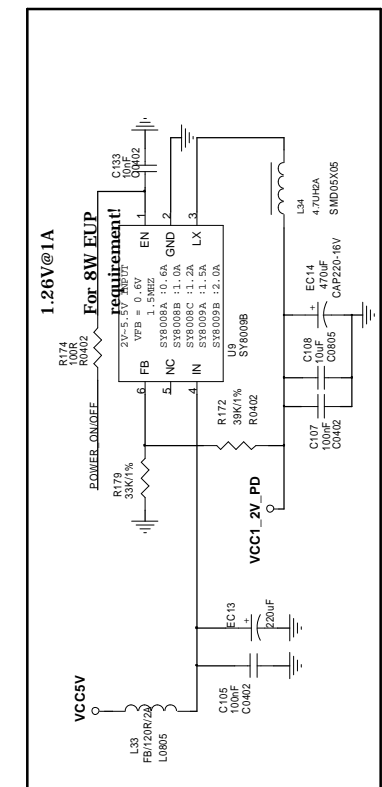


ORG	
Title	MSD7816_SZ_DVBT_DEMO
Size	C
Document Number	DDR2-A + FLASH
Rev	0
Date	Monday, April 09, 2012
Sheet	3 of 10

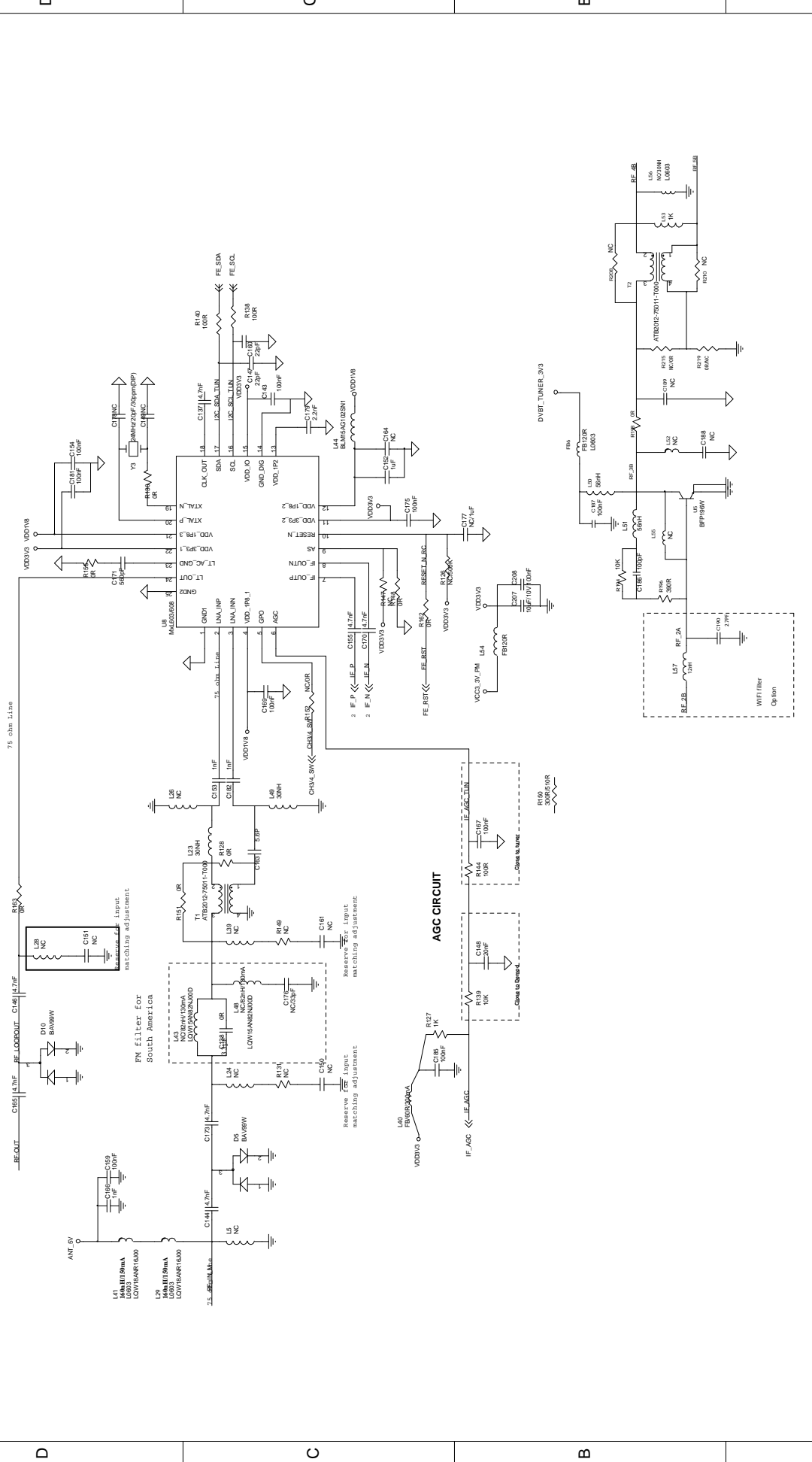


ORG	
File	MSD7816_SZ_DVBT_DEMO
Document Number	USB AND HDMI AND FRONT END
Size	C
Rev	0
Date:	Monday, June 18, 2012
Sheet	4 of 10



File	MSD7816_SZ_DVBT_DEMO
Document Number	POWER
Size	C
Rev	0
Date	Friday, May 04, 2012
Sheet	7 of 10

REVISION RECORD		
LTR.	ECO NO.	APPROVED.



COMPANY:		TITLE:	
DRAWN:	DATED:	CHECKED:	DATED:
QUALITY CONTROL:	DATED:	RELEASED:	DATED:
CODE:	SIZE:	DRAWING NO.:	REV.:
SCALE:		SHEET: 9 of 10	

