

LCD Monitor Service Manual

Model: ASUS VW223

V 1.0

RESTRICTIONS ON USE OF MATERIALS:

Index

Description	Page
Revision List.....	3
Important Safety Notice.....	4
1. Monitor Specification.....	6
2. Operation Instruction.....	7
2.1.General Instructions.....	7
2.2.Control Button.....	7
3. Input/Output Specification.....	9
3.1.Input Signal Connector.....	9
3.2. Factory Preset Display Modes.....	9
3.3.Panel Specification.....	11
4. Block Diagram.....	18
5. Schematic Diagram.....	19
5.1.Main Board.....	19
5.2.Power Board.....	26
5.3. Key Board.....	29
6. PCB Layout.....	29
6.1.Main Board.....	30
6.2.Power Board.....	33
6.3.Key Board.....	39
7. Disassemble & Assemble SOP.....	40
7.1 Procaution.....	40
7.2 Suggest Tools.....	40
7.3 Disassembly Procedure.....	41
7.4 Assemble Procedure.....	48
8. Maintainability.....	55
8.1 Equipments and Tools Requirement.....	55
8.2 Trouble Shooting.....	55
9. Color/White balance Adjustment.....	61
10. Exploded View.....	63
11. BOM list.....	64
12. Different parts list.....	101

Revision List

Version	Date	Revision History	Customer Model	TPV Model Name
A00	Aug-20-2008	Initial release	VW223T	TC8MRGNTWAUSAZ
				TC8MRGNTWAUSAZND
				TC8MRGNDWAUAAZ
				TC8MRGNKWAUSANN
				TC8MRGNBWAUS8NN
				TC8MRGNBWAUSANN
				TC8MRGNCWAUSDZN
				TC8MRGNKWAUSAN2
			VW223B	TC8MRLNDWAUSAZN
				TC8MRLDBWAUSNNN
				TC8MRLNTWAUBAZ
				TC8MRLDCWAUANNN
				TC8MRLDKWAUANNN
				TC8MRGNTWAUAAZ2
			VW223S	TC8MRGNTWAUAAZ
				TC8MRGNTWAUAAZND
			VW223N	TC8MRGNBWUANNN
				TC8MRGNBWUANNN
			VW223D	TC8MRGNBWUSA
				TC8MRGNBWUAANN
TC8MRGNTWAUANZ				
TC8MRGNBWUAAN2				
A01	Oct-10-2008	Update	BOM and add different parts list	
A02	Dec-05-2008	Add	Add audio diagram update BOM List	
			VW223D-CN	TC8MRLDDWAUANZN
			VW223S-CN	TC8MRLDDWAUAAZN

Important Safety Notice

SAFETY NOTICE

ANY PERSON ATTEMPTING TO SERVICE THIS CHASSIS MUST FAMILIARIZE HIMSELF WITH THE CHASSIS AND BE AWARE OF THE NECESSARY SAFETY PRECAUTIONS TO BE USED WHEN SERVICING ELECTRONIC EQUIPMENT CONTAINING HIGH VOLTAGES.

CAUTION: USE A SEPARATE ISOLATION TRANSFORMER FOR THIS UNIT WHEN SERVICING

Proper service and repair is important to the safe, reliable operation of all AOC Company Equipment. The service procedures recommended by AOC and described in this service manual are effective methods of performing service operations. Some of these service operations require the use of tools specially designed for the purpose. The special tools should be used when and as recommended.

It is important to note that this manual contains various CAUTIONS and NOTICES which should be carefully read in order to minimize the risk of personal injury to service personnel. The possibility exists that improper service methods may damage the equipment. It is also important to understand that these CAUTIONS and NOTICES ARE NOT EXHAUSTIVE. AOC could not possibly know, evaluate and advise the service trade of all conceivable ways in which service might be done or of the possible hazardous consequences of each way. Consequently, AOC has not undertaken any such broad evaluation. Accordingly, a servicer who uses a service procedure or tool which is not recommended by AOC must first satisfy himself thoroughly that neither his safety nor the safe operation of the equipment will be jeopardized by the service method selected.

Hereafter throughout this manual, AOC Company will be referred to as AOC.

WARNING

Use of substitute replacement parts, which do not have the same, specified safety characteristics might create shock, fire, or other hazards.

Under no circumstances should the original design be modified or altered without written permission from AOC. AOC assumes no liability, express or implied, arising out of any unauthorized modification of design.

Servicer assumes all liability.

FOR PRODUCTS CONTAINING LASER:

DANGER-Invisible laser radiations when open AVOID DIRECT EXPOSURE TO BEAM.

CAUTION-Use of controls or adjustments or performance of procedures other than those specified herein may result in hazardous radiation exposure.

CAUTION -The use of optical instruments with this product will increase eye hazard.

TO ENSURE THE CONTINUED RELIABILITY OF THIS PRODUCT, USE ONLY ORIGINAL MANUFACTURER'S REPLACEMENT PARTS, WHICH ARE LISTED WITH THEIR PART NUMBERS IN THE PARTS LIST SECTION OF THIS SERVICE MANUAL.

Take care during handling the LCD module with backlight unit

- Must mount the module using mounting holes arranged in four corners.
- Do not press on the panel, edge of the frame strongly or electric shock as this will result in damage to the screen.
- Do not scratch or press on the panel with any sharp objects, such as pencil or pen as this may result in damage to the panel.
- Protect the module from the ESD as it may damage the electronic circuit (C-MOS).
- Make certain that treatment person's body is grounded through wristband.
- Do not leave the module in high temperature and in areas of high humidity for a long time.
- Avoid contact with water as it may a short circuit within the module.
- If the surface of panel becomes dirty, please wipe it off with a soft material. (Cleaning with a dirty or rough cloth may damage the panel.)

1. Monitor Specification

	Item	Specification	Unit
LCD panel	Active Area	473.76 (H) x 296.1 (V) (22" wide diagonal)	mm
	Driver Element	a-si TFT Active Matrix	-
	Pixel Number	1680 x R.G.B. x 1050	pixel
	Pixel Pitch	0.282 (H) x 0.282 (V)	mm
	Pixel Arrangement	RGB Vertical Stripe	-
	Display Color	16.7 M	color
	Transmissive Mode	Normally White	-
	Viewing Angle (H / V)	Typical 170 / 160	degree
	Brightness	Typical (300)	cd/m ²
	Contrast Ratio	Typical (1000)	-
	LC Response Time (Tr+Tf)	5 (Tr: 1.3 + Tf: 3.7)	msec
Graphic	Separate Sync.	TTL Level	-
	Horizontal Sync.	Positive / Negative	-
	Vertical Sync.	Positive / Negative	-
	Input Connector	D-SUB/ DVI(optional)/ USB(optional)	-
Performance	Auto Adjust	Clock, Phase, H Position & V Position	-
	Screen Scaling	VGA/SVGA/XGA/SXGA/WXGA+WSXGA+ Full Screen	-
	Power Management	VESA DPMS, DVI DMPM Compliance	-
	Color Adjustment	User, 6500K, 7500K & 9300K	-
	OSD Language	English, German, Italian, French, Dutch, Spanish, Russian, Traditional Chinese, Simplified Chinese, Japanese	-
Power source	Power Input	AC100~240 (Worldwide)	V
	Input frequency	50 ~ 60	Hz
	Input Current	1600(max)	mA
	Efficiency	AC input 100V _{AC} 80% (min)	
Power consumption	Operation Mode	50W _{max}	W
	Power Saving Sleep Mode	< 1.5W	W
	Power Saving OFF Mode	< 1W	W
Tilt angle	Upward / Downward	+25° / -5°	degree
Physical	Dimension, weight	511.56 x 402.95 x 210 (W x H x T), 4.85 / 4.924 (VW223B)	mm, kg
Function	DDC Plug & Play	DDC 2B/CI Compliance	-
	Keypad	6keys	-
	Audio Amplifier Output	1.0W/ch (max) @ 1Vrms, 1kHz sine wav	-
	Speaker Rating	8 ohms, 1 W/ch(max.)	

Electrical Specifications

Item		Description
Graphic Signal	Input System	RGB Separate
	Signal Level	Analog RGB (0.7V _{P-P}) / Digital (DVI) / USB 2.0
	Input Impedance	Analog RGB =75Ω / Digital (DVI)=100Ω
	Signal Level	Analog RGB Separate Sync: TTL
	Compliant Timing	See Appendix 1.
	Input Connector	15 pins mini D-Sub, DVI 24pins, USB B-type and A-type 4pins
	Video Frequency Bandwidth	Analog RGB 165MHz dot clock Digital 165 MHz dot clock 480 Mbps Hi-Speed Mode
Audio Signal	Signal Level	1V _{rms}
	Input Impedance	47kΩ
	Input Connector	d=3.5 mm Mini-jack
Synchronization Frequency	Horizontal Sync.	30~ 82kHz
	Vertical Sync.	56 ~ 76Hz
Power Supply	Input Voltage	AC 100~240V (Worldwide)
	Frequency	50 / 60Hz
	Power Consumption	55W _{max} / 65W _{max} (for VW 223B)
	Power Management	2W (max)
Backlight	Lamp Type	Cold Cathode Fluorescent Lamp
	Lamp Quantity	4 pcs
	Lamp Life Time	50,000 Hrs (I _L = 7.0mA) (min)
DDC Plug & Play		VESA DDC 2B/CI Compliance
Power Management		VESA DPMS, DVI DMPM Compliance
Power Management Status	Power Consumption	Screen Recovery Time
Stand-by Suspend	< 1.5W @240VAC 50Hz	Within 5 sec
Active-off	< 1W @240VAC 50Hz	

2. Operation Instructions

2.1 General Instructions

Press the power button to turn the monitor on or off. The other control knobs are located at front panel of the monitor (See Figure). By changing these settings, the picture can be adjusted to your personal preferences.

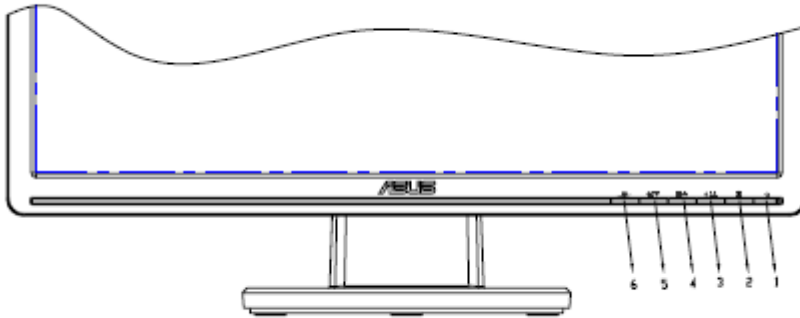
* The power cord should be connected.

* Press the power button to turn on the monitor. The power indicator will light up.

2.2 Control Button

2.2.1 External Controls

Front:








VW223D

No.	Key	Descriptions	
1		Power On/Off	
	LED Indicator	Blue	Normal operation
		Orange	Power management
	Off	Power off	
2		Adjust Clock, Phase, H Position and V Position automatically	
3		+ /QUICK MENU Access (Brightness, Contrast and Volume)	
4	MENU	OSD control MENU button	
5		- /QUICK MENU Access (Brightness, Contrast and Volume)	
6	S	Select scenario mode then do AUTO adjust automatically	






VW223S

No.	Key	Descriptions	
1		Power On/Off	
	LED Indicator	Blue	Normal operation
		Orange	Power management
	Off	Power off	
2		Adjust Clock, Phase, H Position and V Position automatically	
3		+ /QUICK MENU Access (Brightness, Contrast and Volume)	
4	MENU	OSD control MENU button	
5		- /QUICK MENU Access (Brightness, Contrast and Volume)	
6	S	Select scenario mode then do AUTO adjust automatically	

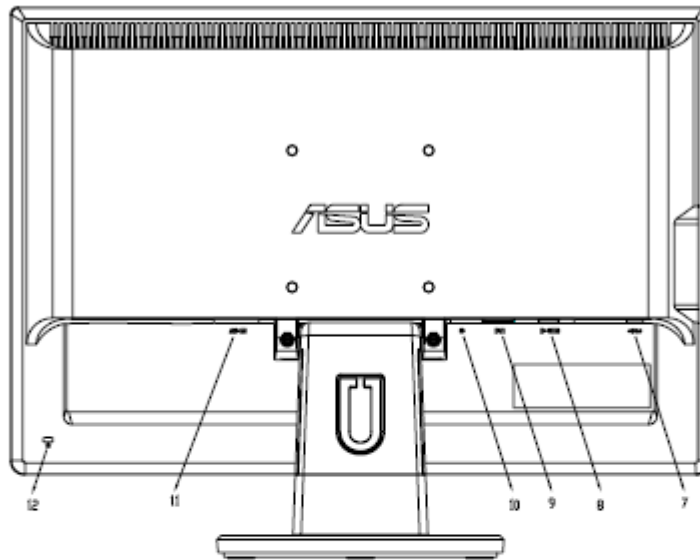
VW223N/ VW223B

No.	Key		Descriptions
1			Power On/Off
	LED Indicator	Blue	Normal operation
		Orange	Power management
		Off	Power off
2		Adjust Clock, Phase, H Position and V Position automatically	
3		+ / QUICK MENU Access (Brightness, Contrast and Volume)	
4	MENU	OSD control MENU button	
5		- / QUICK MENU Access (Brightness, Contrast and Volume)	
6		Select scenario mode then do AUTO adjust automatically	

VW223T

No.	Key		Descriptions
1			Power On/Off
	LED Indicator	Blue	Normal operation
		Orange	Power management
		Off	Power off
2		Adjust Clock, Phase, H Position and V Position automatically	
3		+ / QUICK MENU Access (Brightness, Contrast and Volume)	
4	MENU	OSD control MENU button	
5		- / QUICK MENU Access (Brightness, Contrast and Volume)	
6		Select scenario mode then do AUTO adjust automatically	

2.2.2 Attaching the Cables

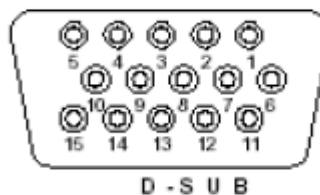


No.	Key	Descriptions
7	USB	USB B Type Connector
8	D-SUB	D-sub mini 15pin Connector
9	DVI	DVI-D 24pin Connector
10	AUDIO	Audio in
11	AC-IN	AC Power Jack
12	Lock hole	Kensington

3. Input/Output Specification

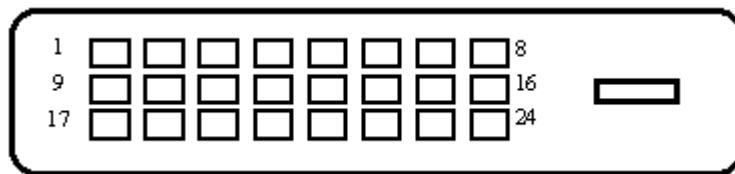
3.1 Input Signal Connector

D-Sub mini 15pin Connector

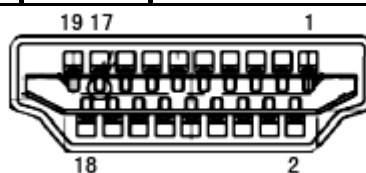


Pin Number	15-Pin Side of the Signal Cable
1	Red video input
2	Green video input
3	Blue video input
4	NC
5	Ground
6	Red video ground
7	Green video ground
8	Blue video ground
9	NC
10	Ground
11	No connection
12	(SDA)
13	Horizontal sync (Composite sync)
14	Vertical sync
15	(SCL)

DVI-D 24pin Connector



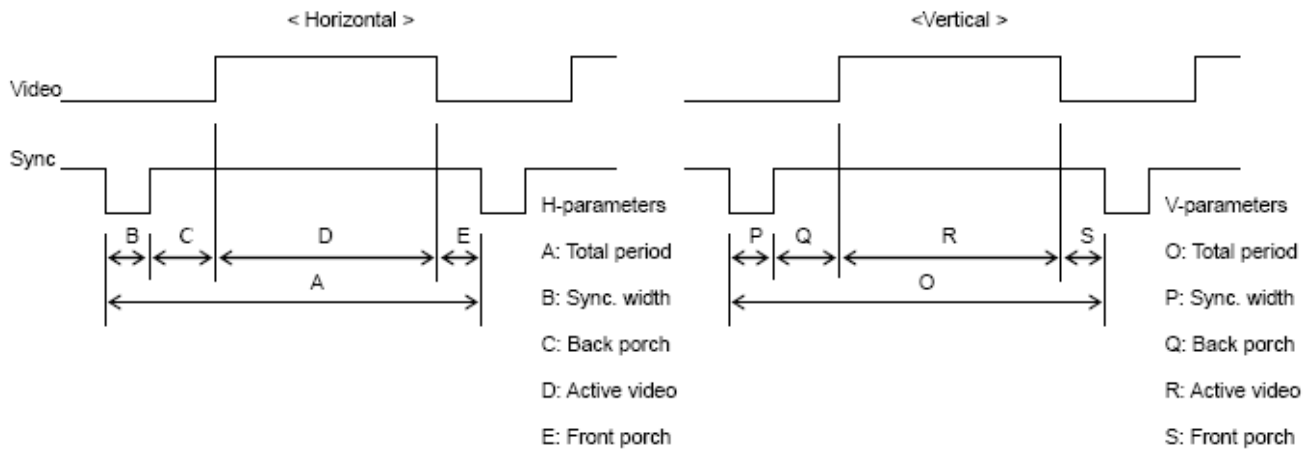
Pin No.	Signal Name	Pin No.	Signal Name	Pin No.	Signal Name
1	TMDS Data 2-	9	T.M.D.S Data 1-	17	T.M.D.S Data 0-
2	TMDS Data 2+	10	T.M.D.S Data 1+	18	TMDS Data 0+
3	T.M.D.S Data 2 Ground	11	T.M.D.S Data 1 Ground	19	T.M.D.S Data 0 Ground
4	NC	12	NC	20	NC
5	NC	13	NC	21	NC
6	Clock line (SCL)	14	NC	22	T.M.D.S Clock Ground
7	Data line (SDA)	15	Ground	23	TMDS Clock +
8	NC	16	Hot Plug Detect	24	TMDS Clock -



Pin No.	Signal Name	Pin No.	Signal Name	Pin No.	Signal Name
1	TMDS Data 2+	9	TMDS Data 0	17	DDC/CEC Ground
2	TMDS Data 2 Shield	10	TMDS Clock +	18	+5V Power
3	TMDS Data 2	11	TMDS Clock Shield	19	Hot Plug Detect
4	TMDS Data 1+	12	TMDS Clock		
5	TMDS Data 1Shield	13	CEC		
6	TMDS Data 1	14	Reserved (N.C. on device)		
7	TMDS Data 0+	15	SCL		
8	TMDS Data 0 Shield	16	SDA		

3.2 Factory Preset Display Modes

Compliant Timing



Item	Video Mode		fH (kHz)	fV (Hz)	Dot clock (MHz)	Sync polarity		Horizontal (dot)					Vertical (line)					Analog	Digital (Optional)	
						H	V	A	B	C	D	E	O	P	Q	R	S			
1	VESA	VGA 640x480	31.469	59.940	25.175	N	N	800	96	48	640	16	526	2	33	480	11	O	O	
2			37.861	72.809	31.500	N	N	832	40	128	640	24	520	3	28	480	9	O	O	
3			37.500	75.000	31.500	N	N	840	64	120	640	16	500	3	16	480	1	O	O	
4		SVGA 800x600	35.156	56.250	36.000	P	P	1024	72	128	800	24	625	2	22	600	1	O	O	
5			37.879	60.317	40.000	P	P	1056	128	88	800	40	628	4	23	600	1	O	O	
6			48.077	72.188	50.000	P	P	1040	120	64	800	56	666	6	23	600	37	O	O	
7			46.875	75.000	49.500	P	P	1056	80	160	800	16	625	3	21	600	1	O	O	
8		XGA 1024x768	48.363	60.004	65.000	N	N	1344	136	160	1024	24	806	6	29	768	3	O	O	
9			56.476	70.069	75.000	N	N	1328	136	144	1024	24	806	6	29	768	3	O	O	
10			60.023	75.029	78.750	P	P	1312	96	176	1024	16	800	3	28	768	1	O	O	
11		SXGA	1152x864	67.500	75.000	108.000	P	P	1600	128	256	1152	64	900	3	32	864	1	O	O
12			1280x1024	83.981	60.020	108.000	P	P	1688	112	248	1280	48	1066	3	38	1024	1	O	O
13				79.976	75.025	135.000	P	P	1688	144	248	1280	16	1066	3	38	1024	1	O	O
14		WXGA+	1440x900	55.935	59.887	106.5	N	P	1904	152	232	1440	80	934	6	25	900	3	O	O
15				70.635	74.984	136.750	N	P	1936	152	248	1440	96	942	6	33	900	3	O	O
16		WSXGA+	1680x1050	65.29	59.954	146.250	N	P	2240	176	280	1680	104	1089	6	30	1050	3	O	O
17	VGA TEXT	720x400	31.469	70.087	28.322	N	P	900	108	45	720	27	449	2	35	400	12	O	O	
18	Macintosh	640x480	35.000	66.667	30.240	N	N	864	64	96	640	64	525	3	39	480	3	O	O	
19		832x624	49.725	74.500	57.283	N	N	1152	64	224	832	32	667	3	39	624	1	O	O	
20		1024x768	60.150	74.720	80.000	N	N	1330	96	168	1024	42	805	3	31	768	3	O	O	
21		1280x960	60.000	60.000	108.000	P	P	1800	112	312	1280	96	1000	3	36	960	1	O	O	
22		1280x720	44.96	59.94	74.176	P	P	1650	40	220	1280	110	750	5	20	720	5	O	O	
23		1360x768	47.712	60.015	85.500	P	P	1792	112	256	1360	64	795	6	18	768	3	O	O	

3.3. Panel Specification

3.3.1 General Features

The VW223 model is a 22 inch wide TFT-LCD module with a 4-CCFL Backlight Unit and a 30-pin 2ch-LVDS interface. This module supports 1680X1050 WSXGA+(16:10 wide screen) mode and displays up to 16.7 millions colors. The inverter module for the Backlight Unit is not built in.

3.3.2 Display Characteristics

Item	Specification	Unit	
LCD panel	Active Area	473.76 (H) x 296.1 (V) (22" wide diagonal)	mm
	Driver Element	a-si TFT Active Matrix	-
	Pixel Number	1680 x R.G.B. x 1050	pixel
	Pixel Pitch	0.282 (H) x 0.282 (V)	mm
	Pixel Arrangement	RGB Vertical Stripe	-
	Display Color	16.7 M	color
	Transmissive Mode	Normally White	-
	Viewing Angle (H / V)	Typical 170 / 160	degree
	Brightness	Typical (300)	cd/m ²
	Contrast Ratio	Typical (1000)	-
	LC Response Time (Tr+Tf)	5 (Tr: 1.3 + Tf: 3.7)	msec

3.3.3 Optical Characteristics

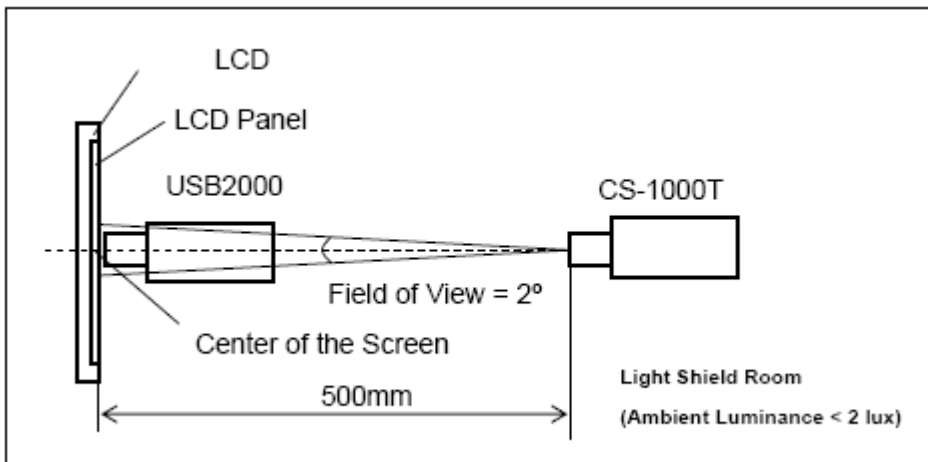
Test Conditions and Measurement Procedures

Item	Condition
Temperature	Normal room temperature (25±2°C)
Humidity	50±10%
AC input voltage	100V±2V, 120±2V, 60Hz / 240±2V, 50Hz
Brightness	Maximum with OSD setting
Contrast	Middle with OSD setting
Resolution setting	1680 x 1050 @60HZ
Color temperature	With OSD setting.
Measuring instrument	Minolta CS-1000T Spectrometer and Photometer CA-210 or equivalent
Others	Before measuring, "Auto Adjust" & "Auto Balance" must be done in advance

Note (1) Luminance , Chromaticity and CCT Measurement

Measurement System Setup:

The LCD module should be stabilized at given temperature for 20 minutes to avoid abrupt temperature change during measuring. In order to stabilize the luminance, the measurement should be executed after lighting Backlight for 20 minutes in a windless room.



Note (2) Definition of Contrast Ratio (CR):

The contrast ratio can be calculated by the following expression and figure below.

$$\text{Contrast Ratio (CR)} = L_{255} / L_0$$

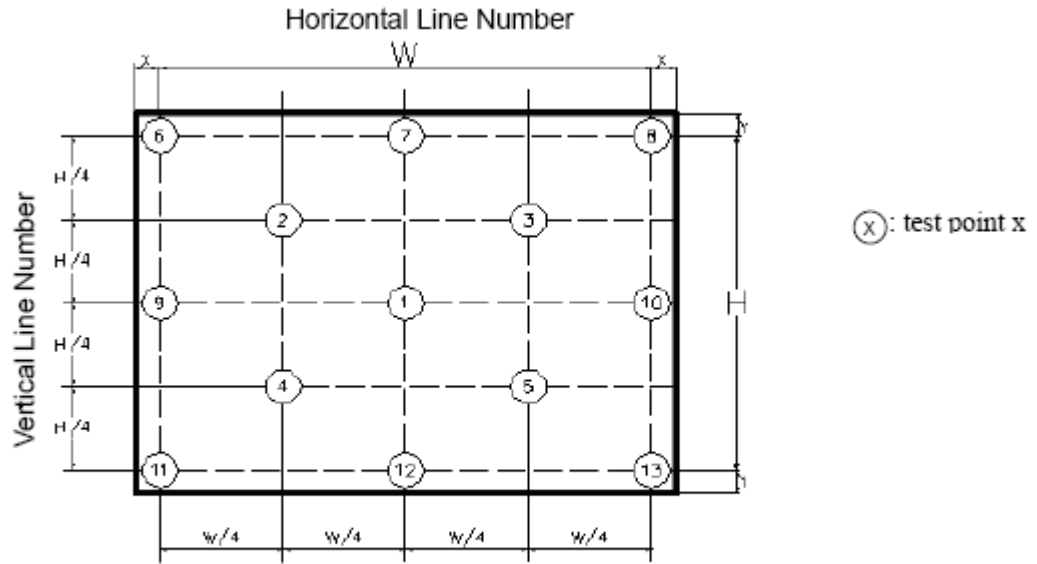
L255: Luminance of gray level 255

L 0: Luminance of gray level 0

CR = CR (1)

CR (X) is corresponding to the Contrast Ratio of the point X at Figure in Note (3).

Note(3): Definition of luminance measured points and Brightness Uniformity



Active area

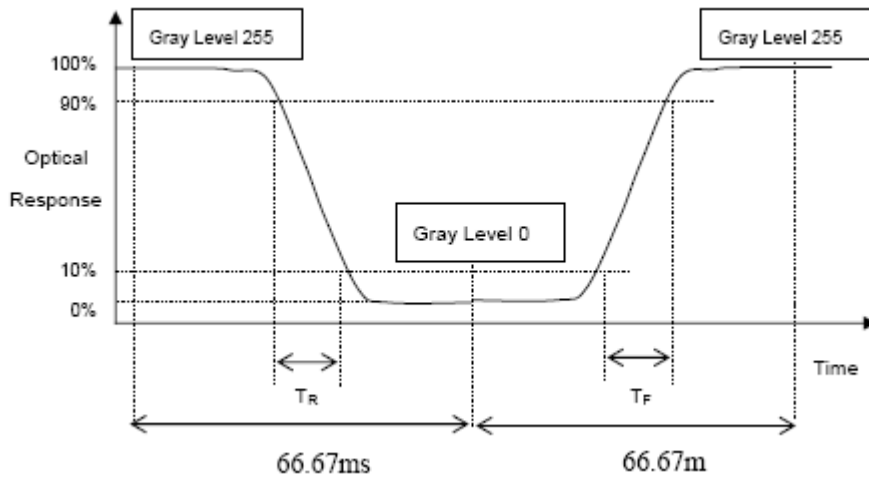
The position of measuring area corner: X=10.0mm ; Y=10.0mm

Luminance of center point: L=L(1)

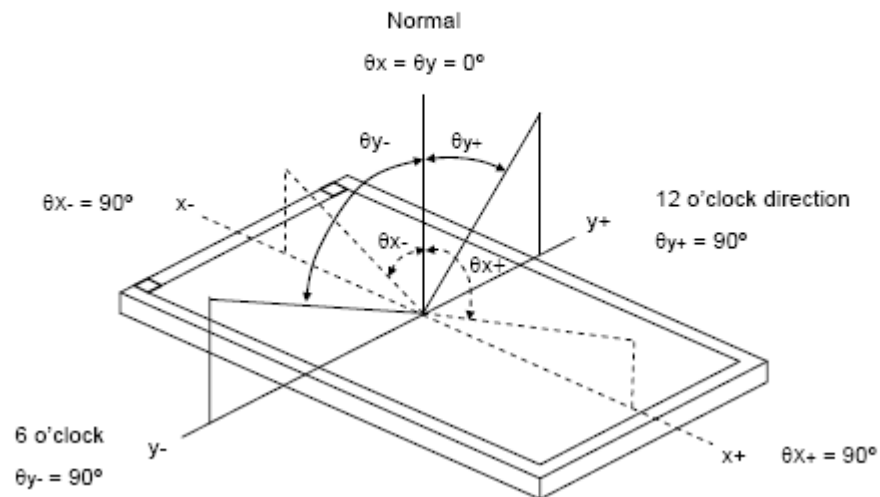
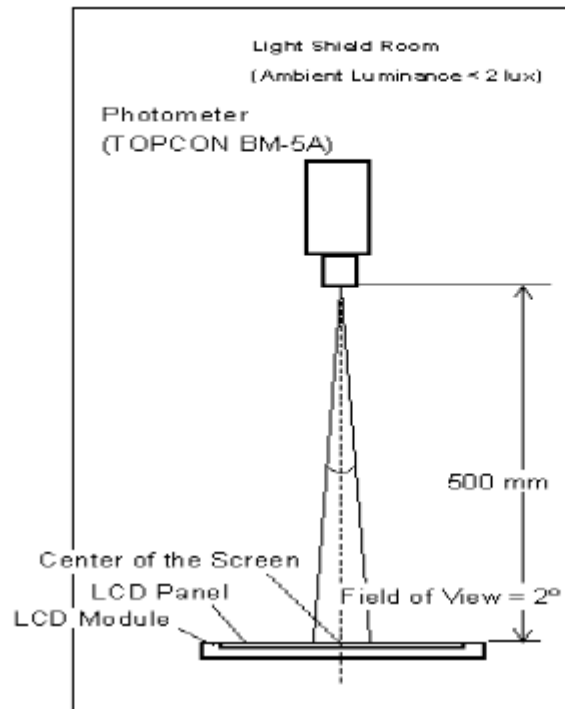
Brightness Uniformity Measurement points: Thirteen specified points 1-13

Formula: Maximum [L (1), L (2), L (3), L (4), L (5), L (6), L (7), L (8), L (9), L (10), L (11), L (12), L (13)]/Minimum [L (1), L (2), L (3), L (4), L (5), L (6), L (7), L (8), L (9), L (10), L (11), L (12), L (13)]

Note (4) Definition of Response Time (T_R, T_F) and Measurement Method:



Note (5) Definition of Viewing Angle (θ_x, θ_y):



3.3.4 Electrical Characteristics

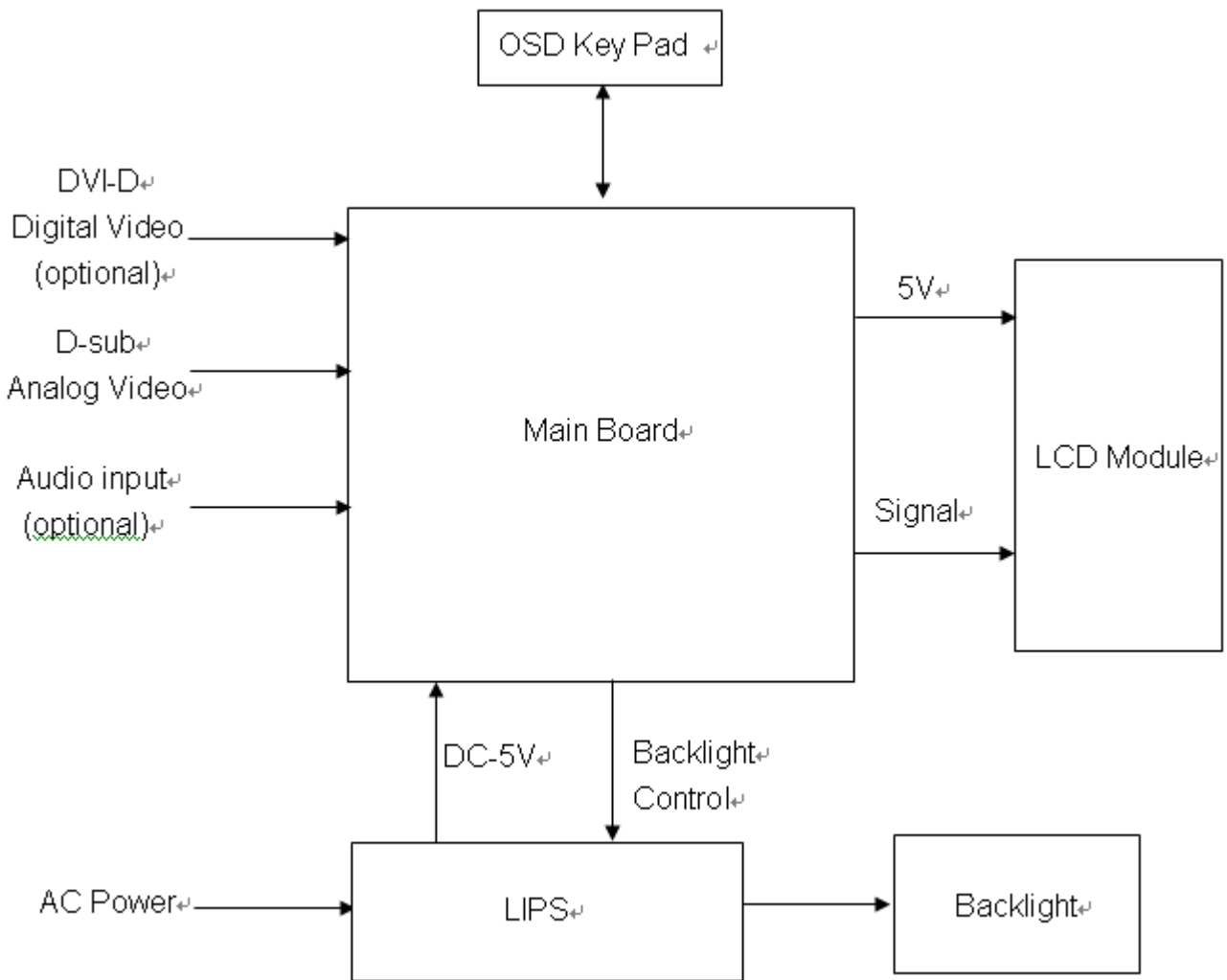
TFT LCD Module

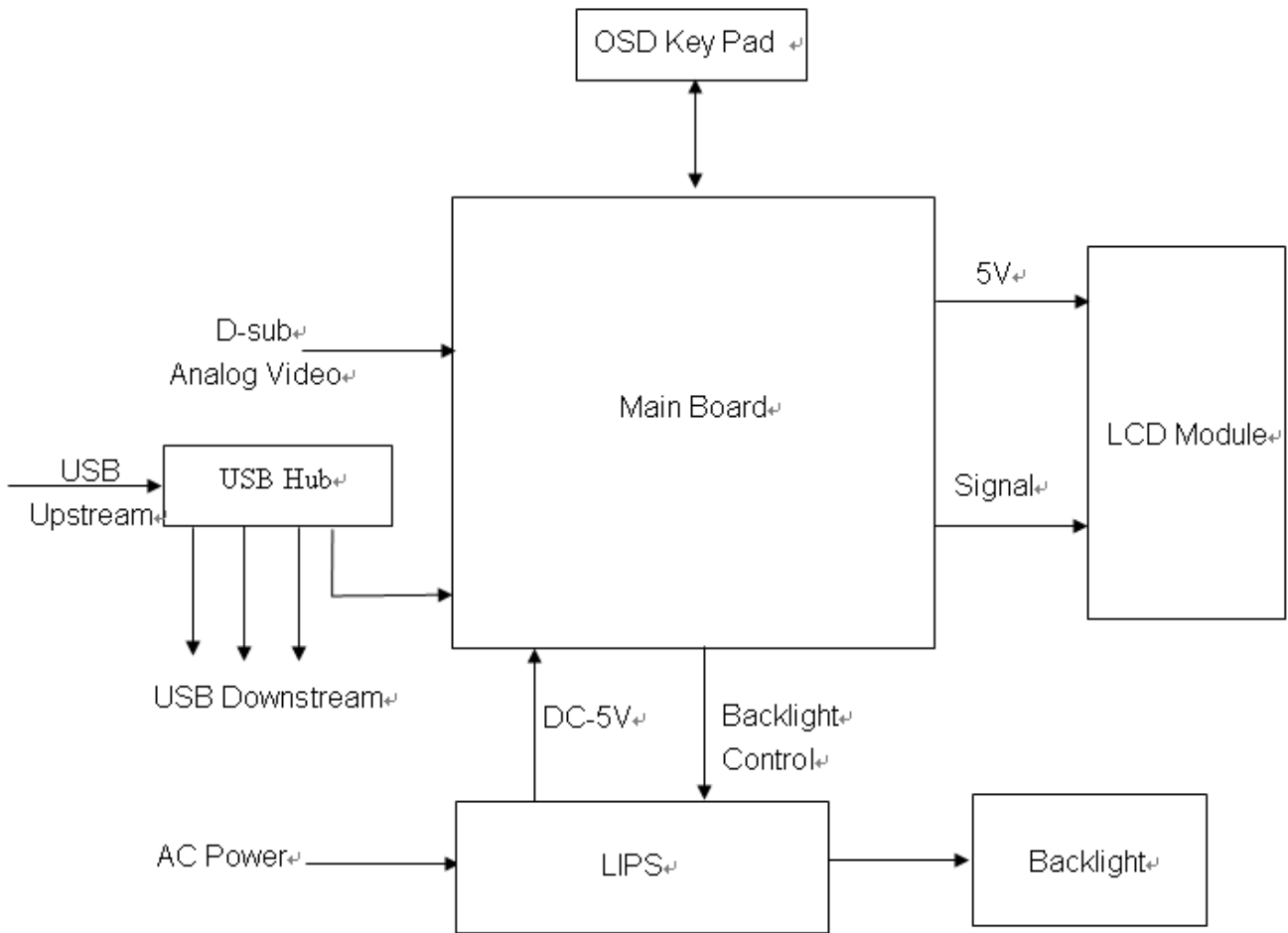
Item	Symbol	Value		Unit
		Min.	Max.	
Power Supply Voltage	V _{CC}	-0.3	+5.5	V
Logic Input Voltage	V _{IN}	-0.3	+4.3	V

Item	Symbol	Value		Unit
		Min.	Max.	
Lamp Voltage	V_L	-	2.5K	V_{RMS}
Lamp Current	I_L	3.0	8.0	mA_{RMS}
Lamp Frequency	F_L	40	80	KHz

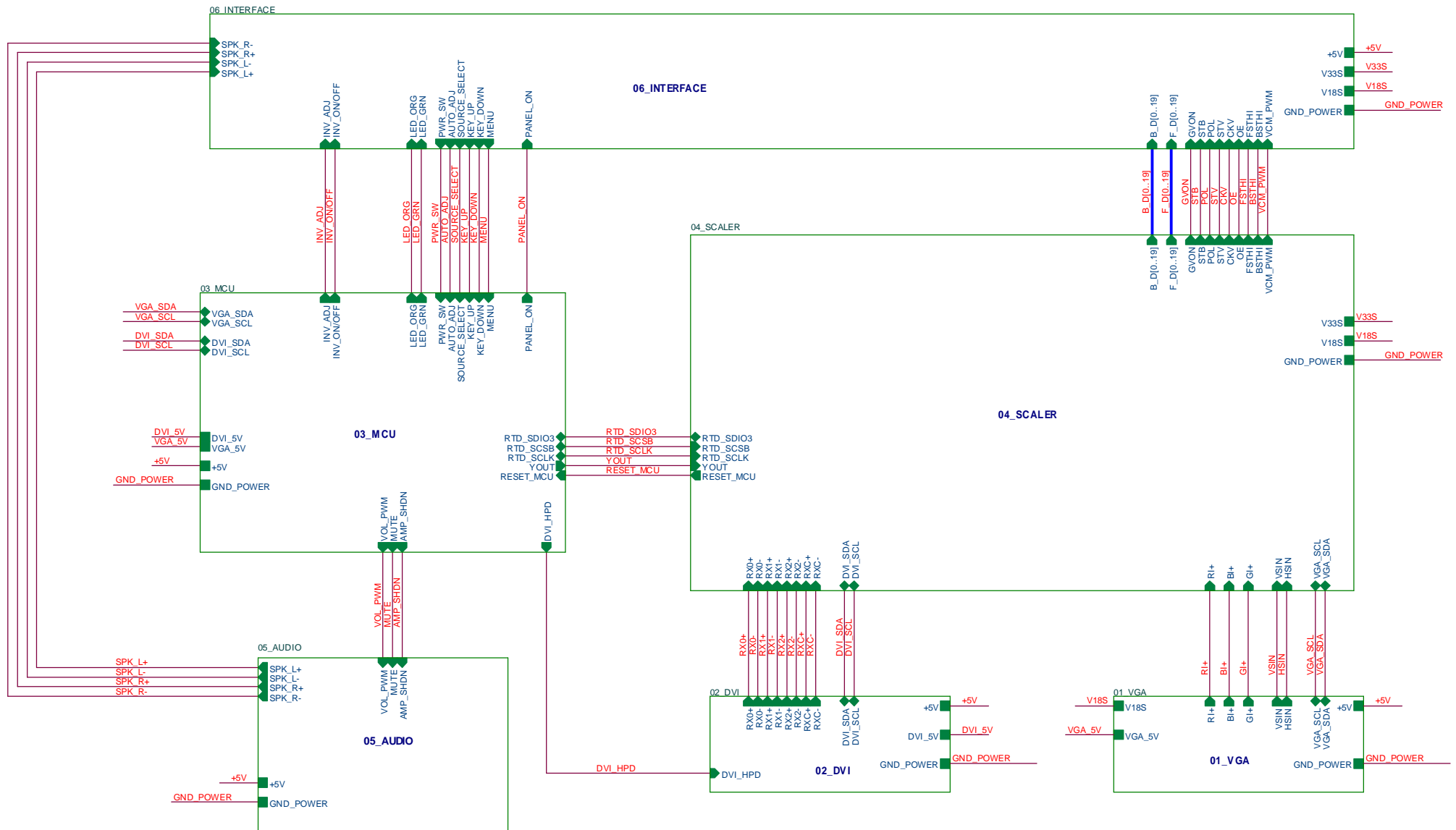
4. Block Diagram

[VW223D/S/N/T]





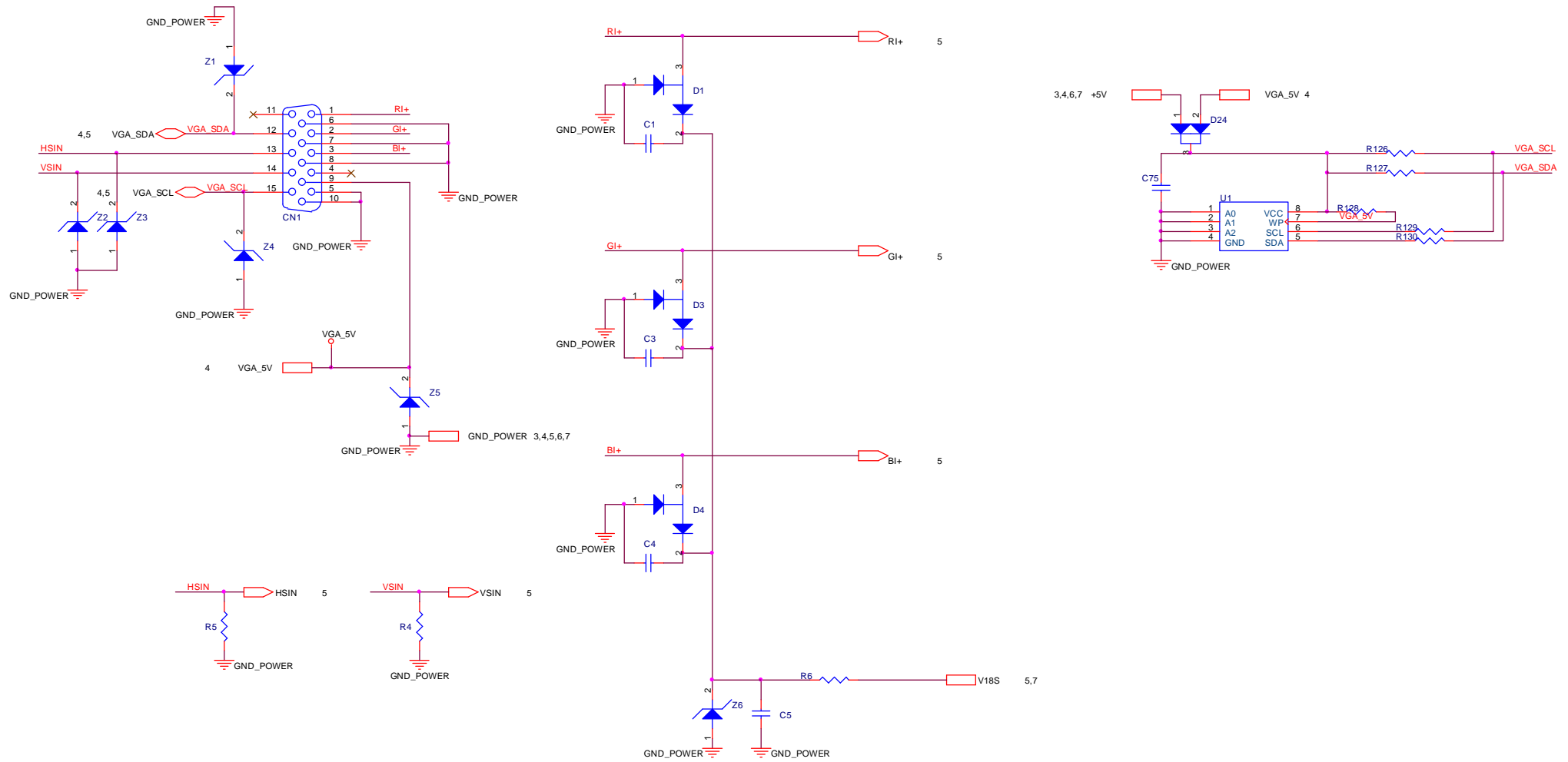
5 . Schematic Diagram TOP

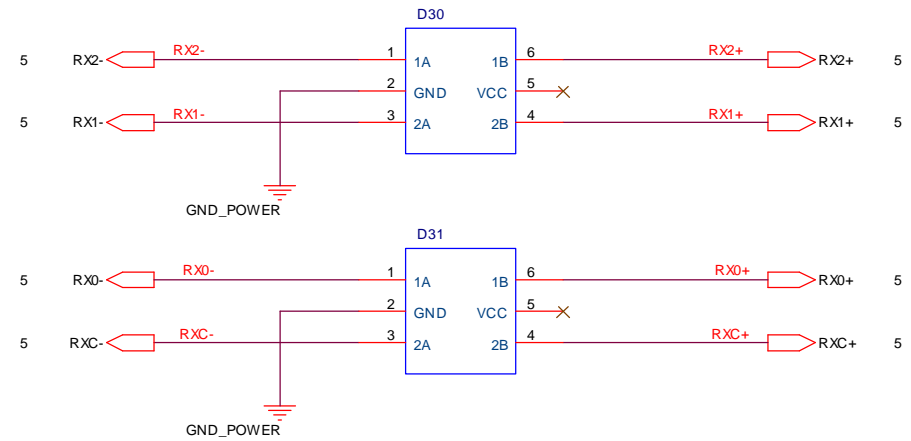
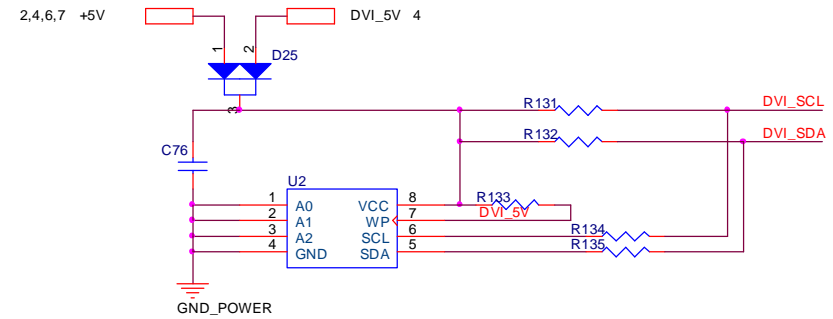
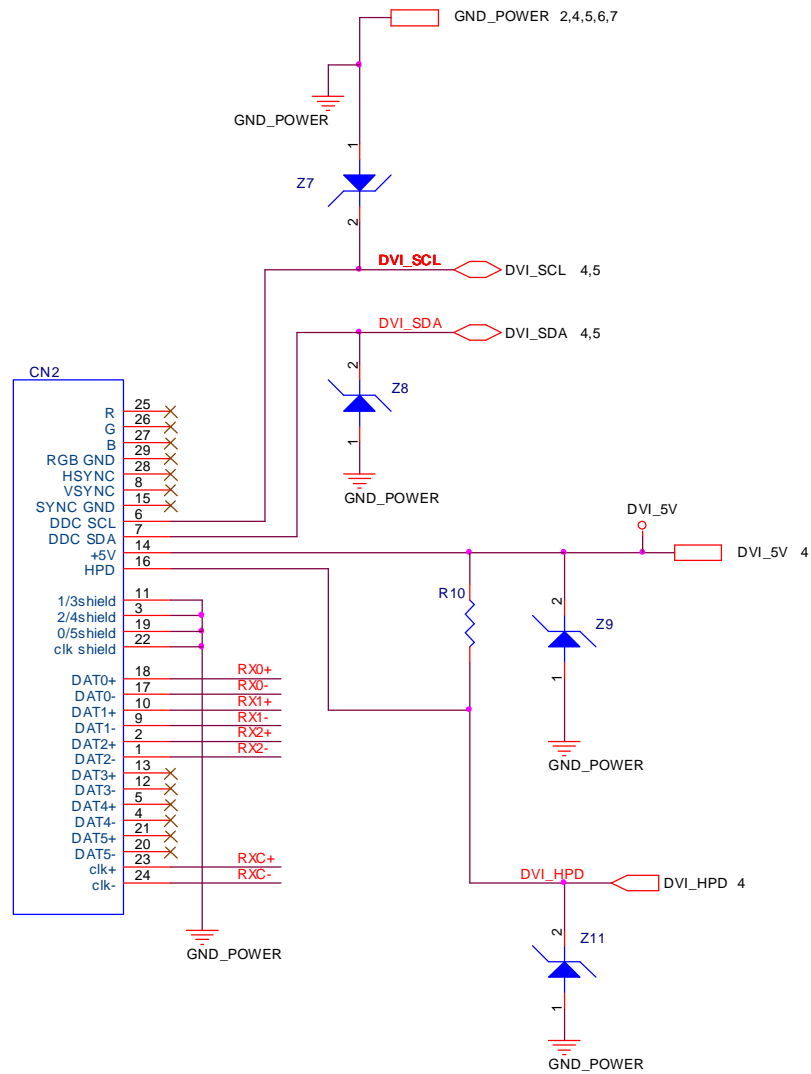


Service Manual

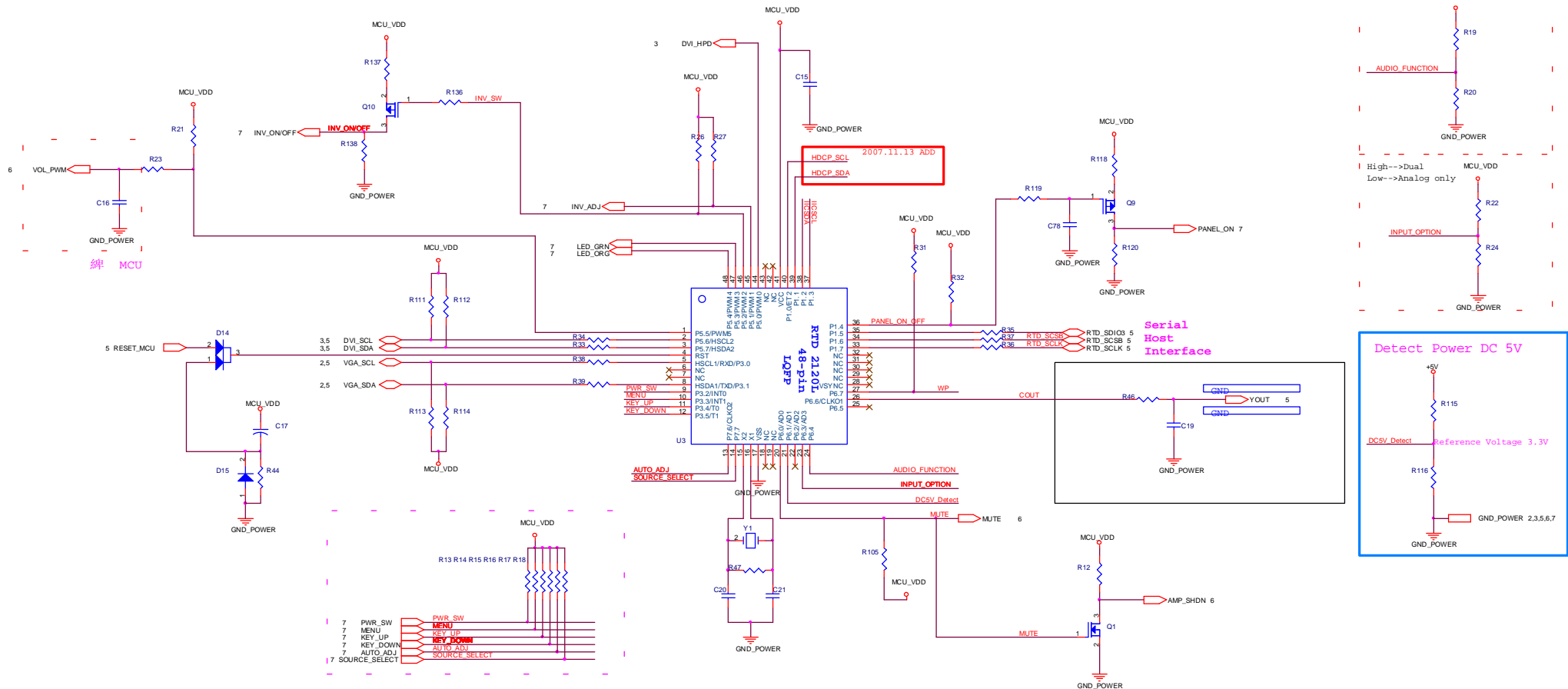
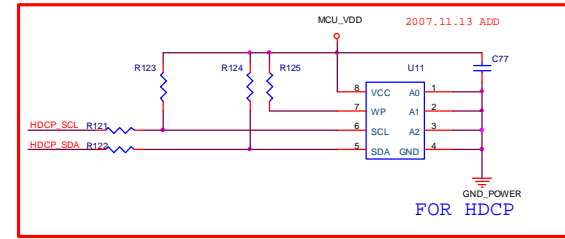
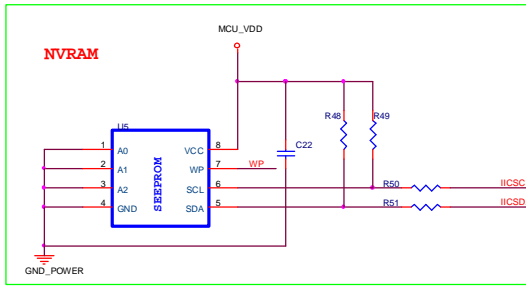
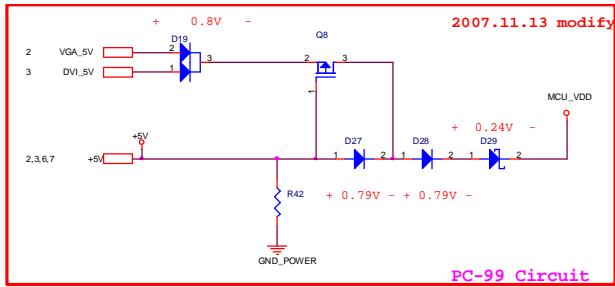
5.1 Main Board

VGA

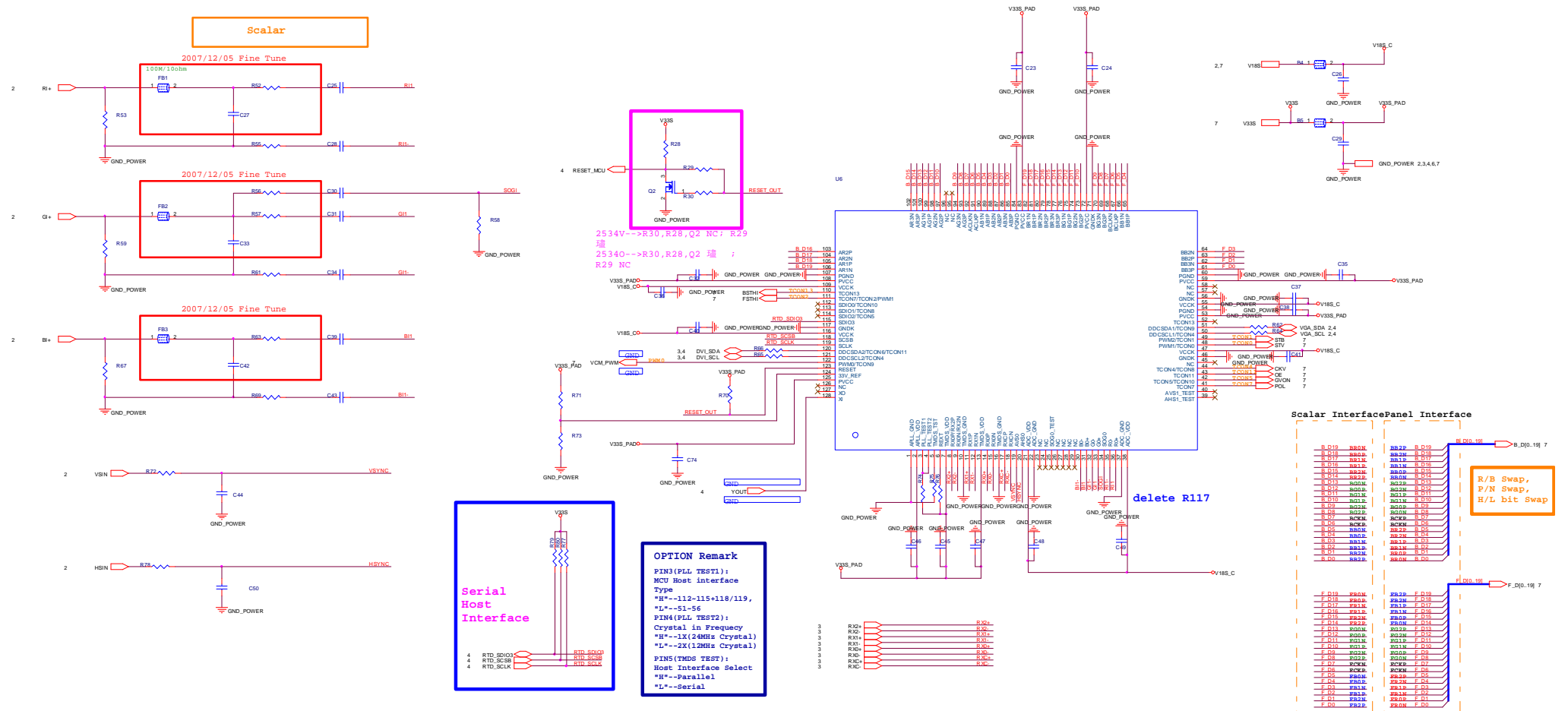




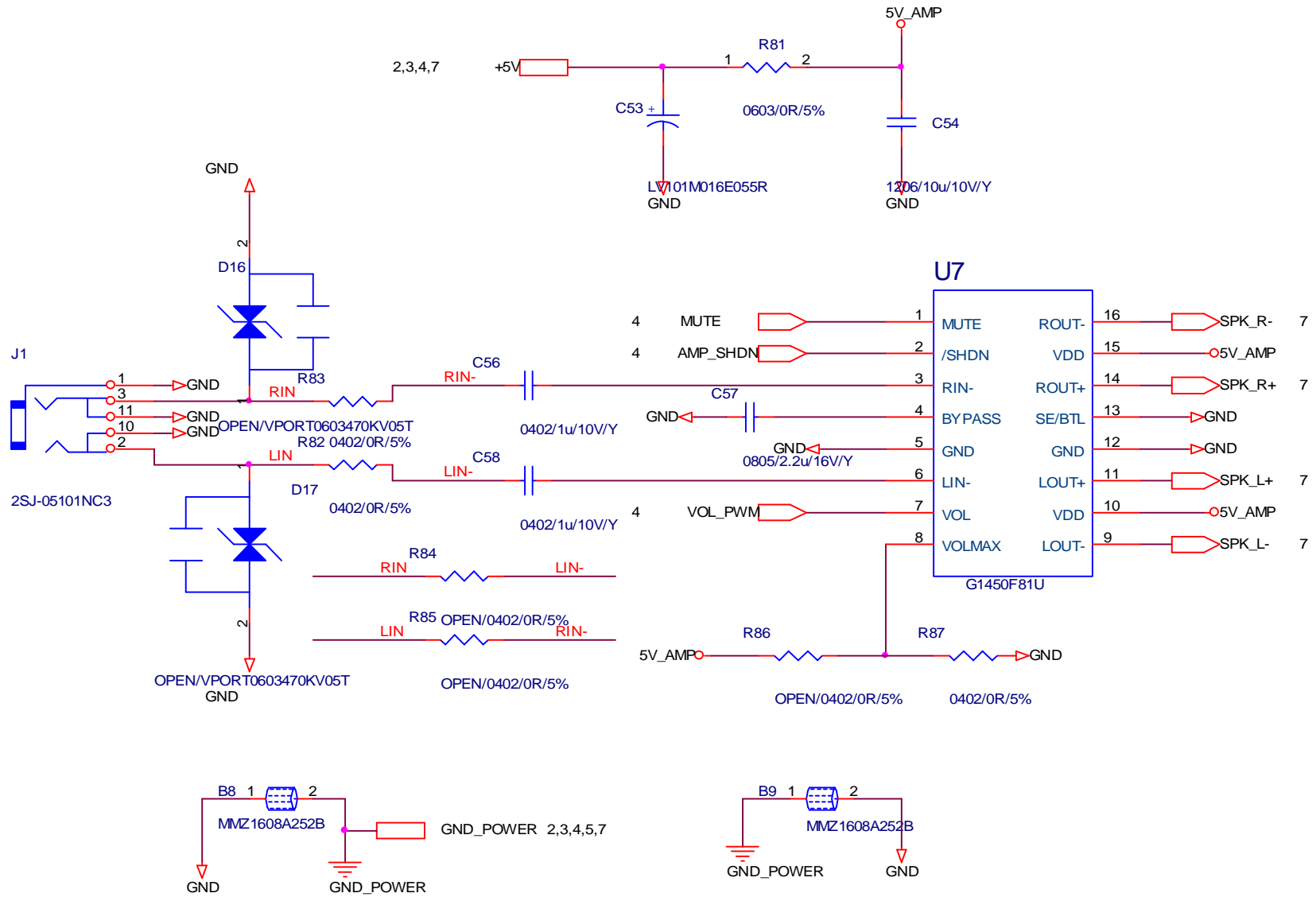
MCU



Scaler

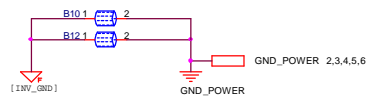
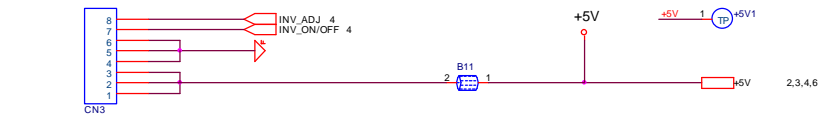


Audio



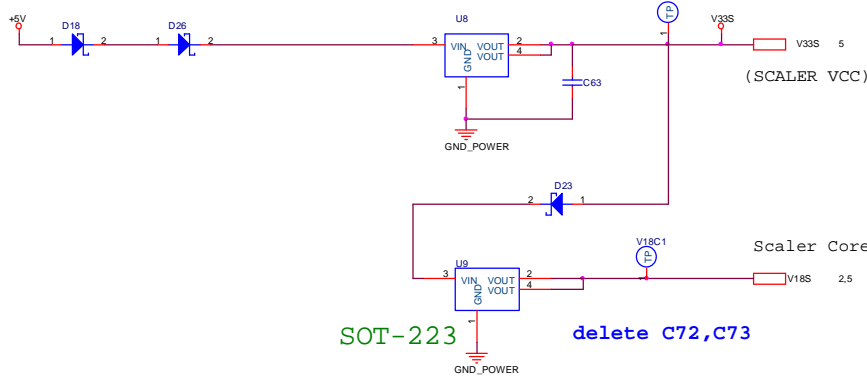
Interface

LIPS Interface



2007.11.30 ADD (thermal for 25450)

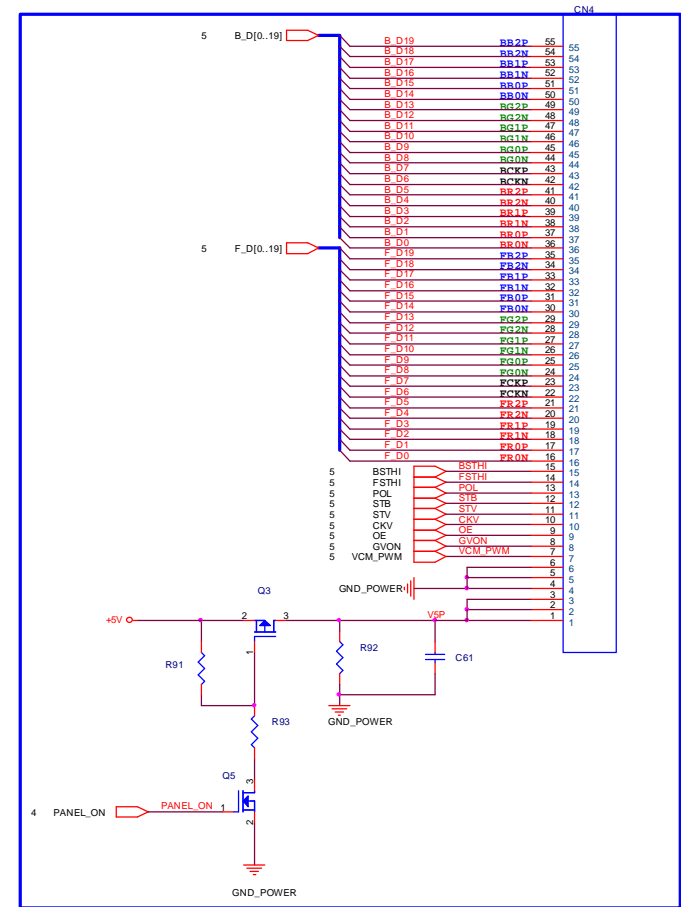
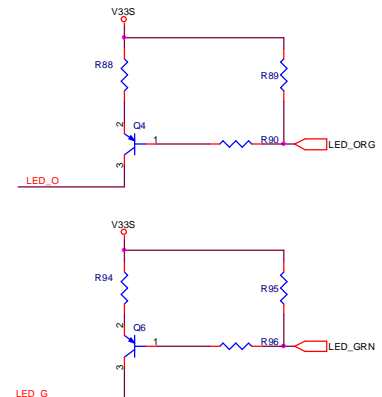
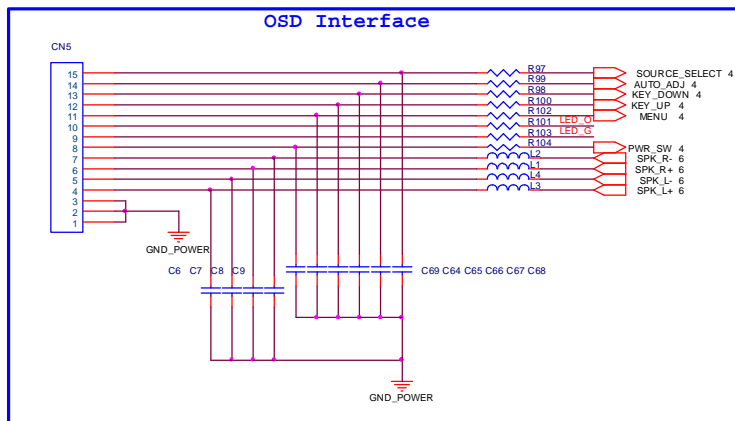
TO252

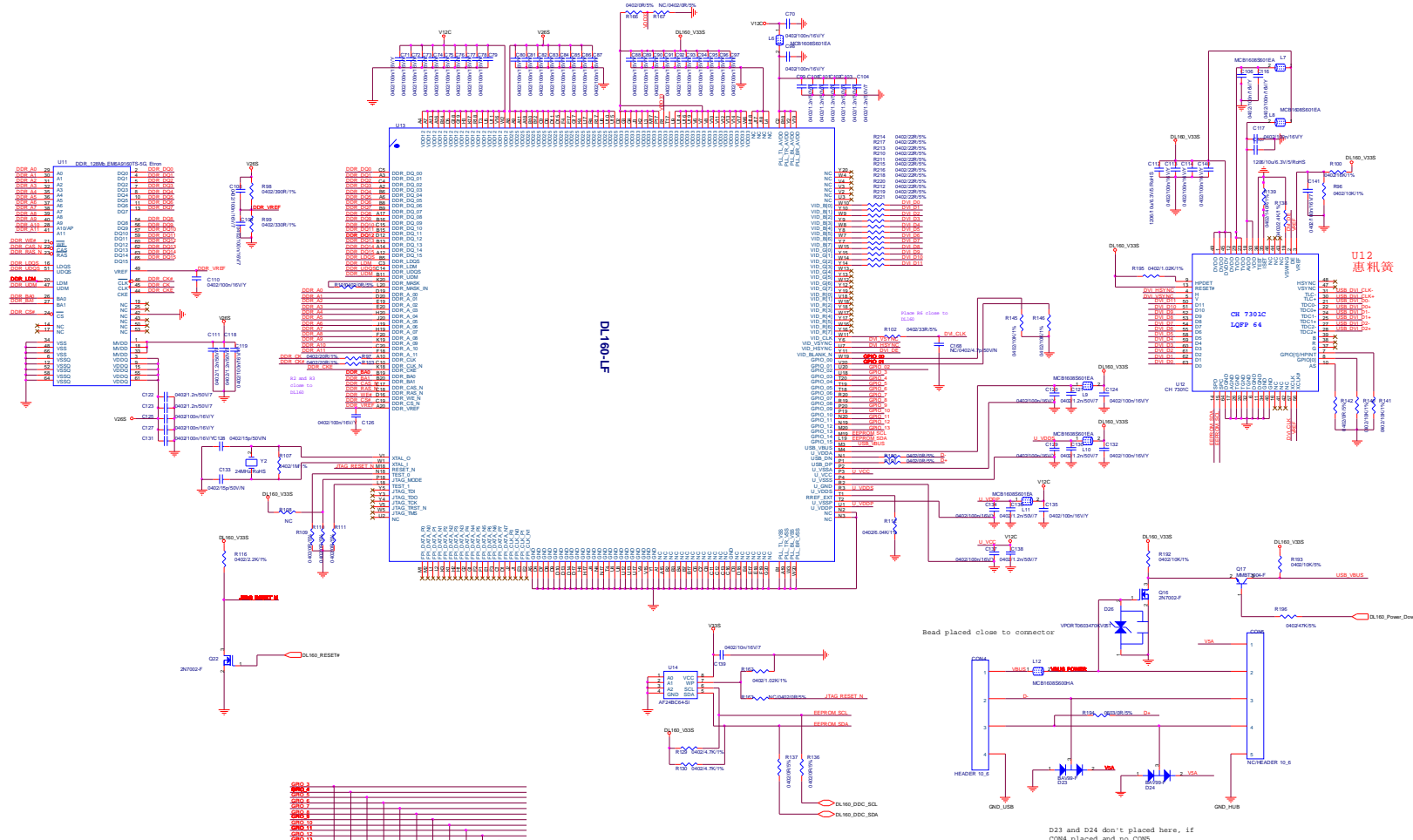


SOT-223

delete C72, C73

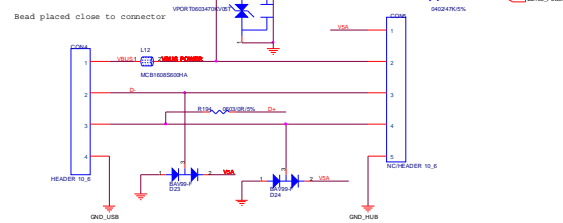
OSD Interface



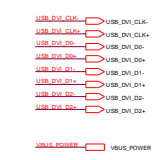
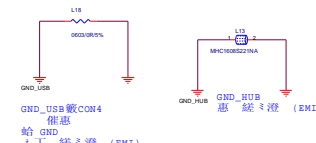


DL160-LF

U12 惠机簧

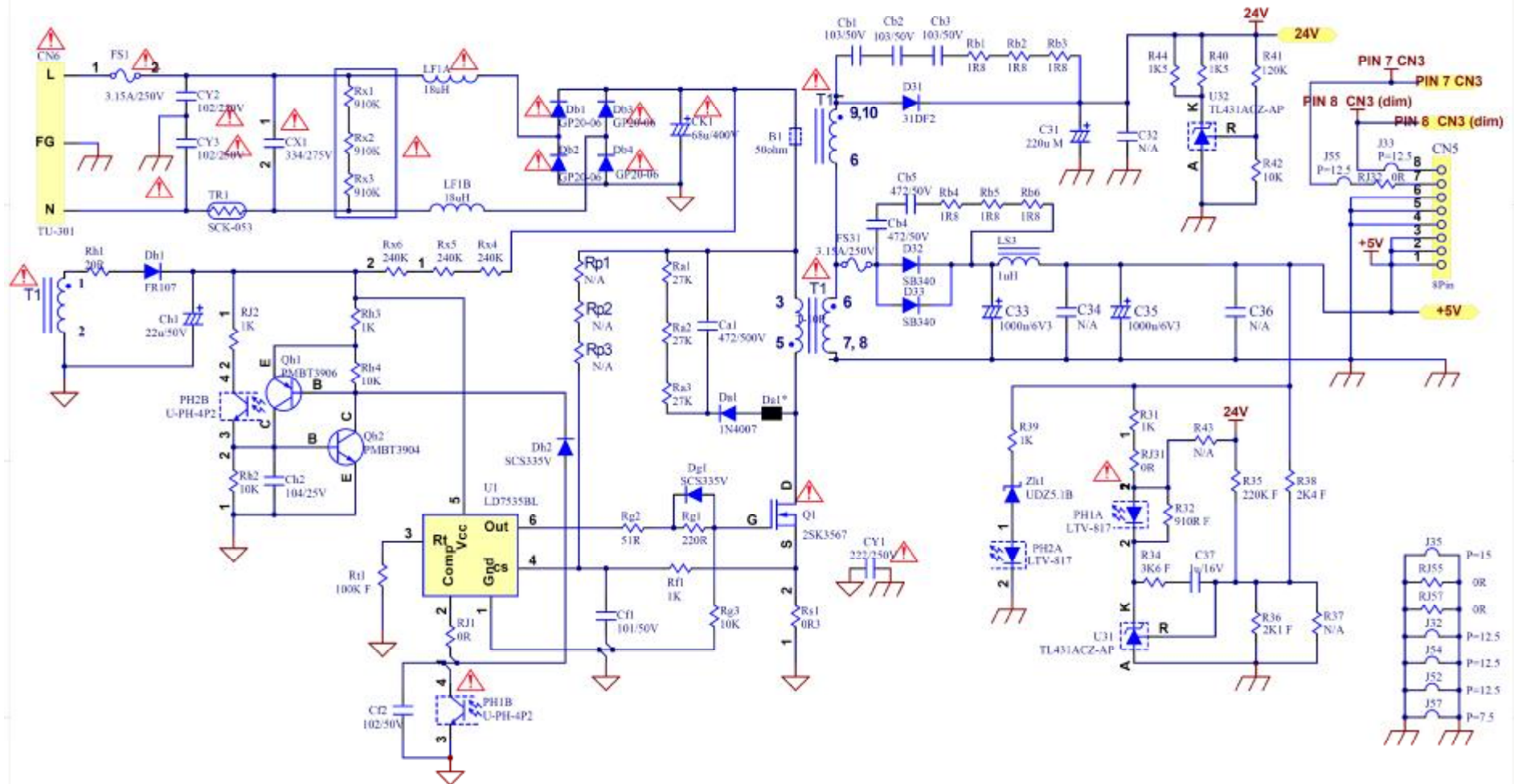


D23 and D24 don't placed here, if CN04 placed and no COM5
R194 just a jump for layout easily

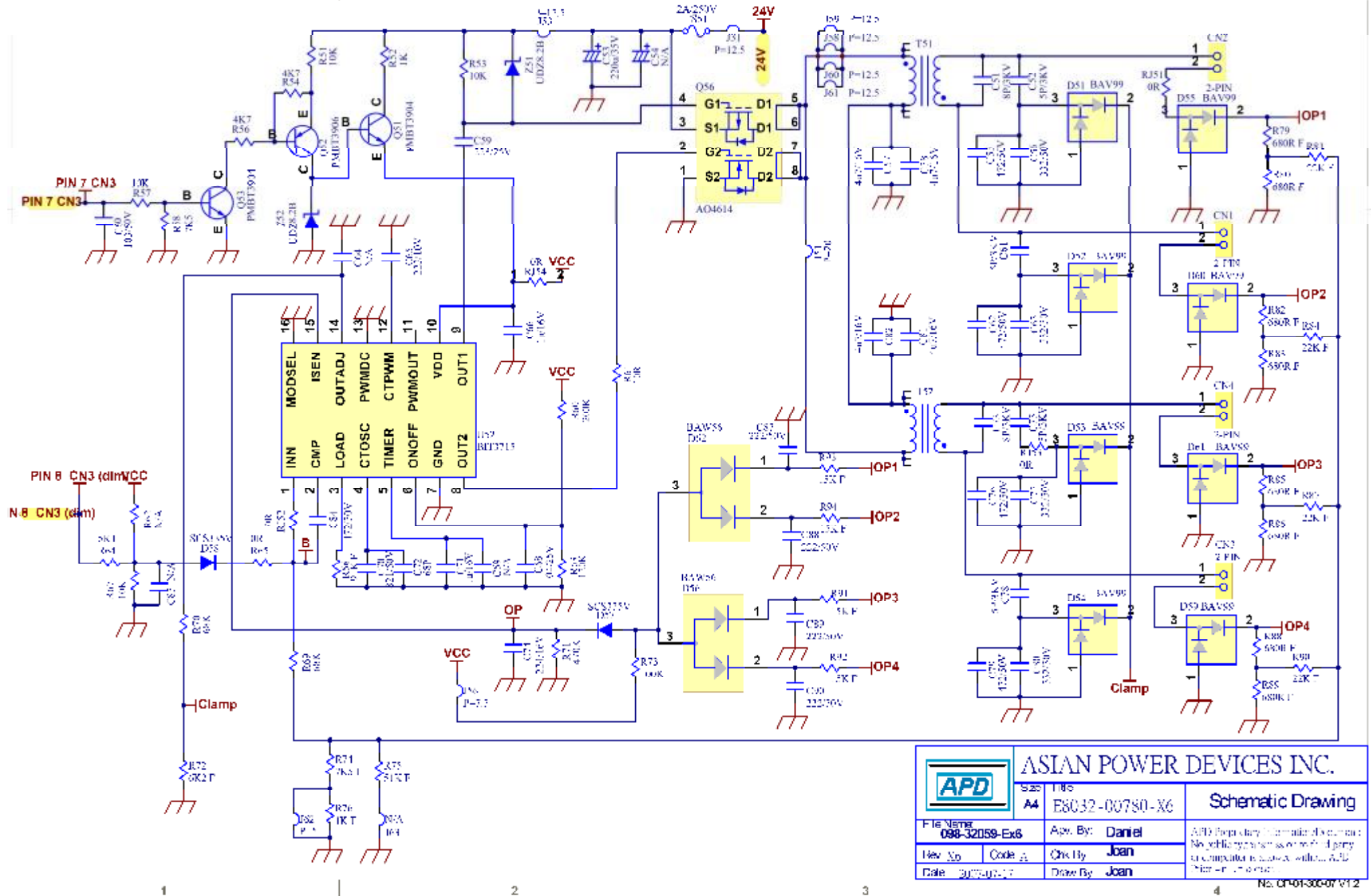



<Variant Name>

CHIMEI 紫 T	
USB Converter	
FIG	DATE 2007/07/23
REV	DATE
拷贝	灵...中...精... 03 6/6



		ASIAN POWER DEVICES INC.		
		Size: A4	Title: E8032-00780-X6	Schematic Drawing
File Name: 098-32059-Ex6	Rev: X6	Code: A	Apv. By: Daniel	APD Proprietary Information/Document. No publicity/transmission to third party or competitor is allowed without APD Prior written consent.
Date: 2007-07-13			Chk By: Joan	
			Draw By: Joan	



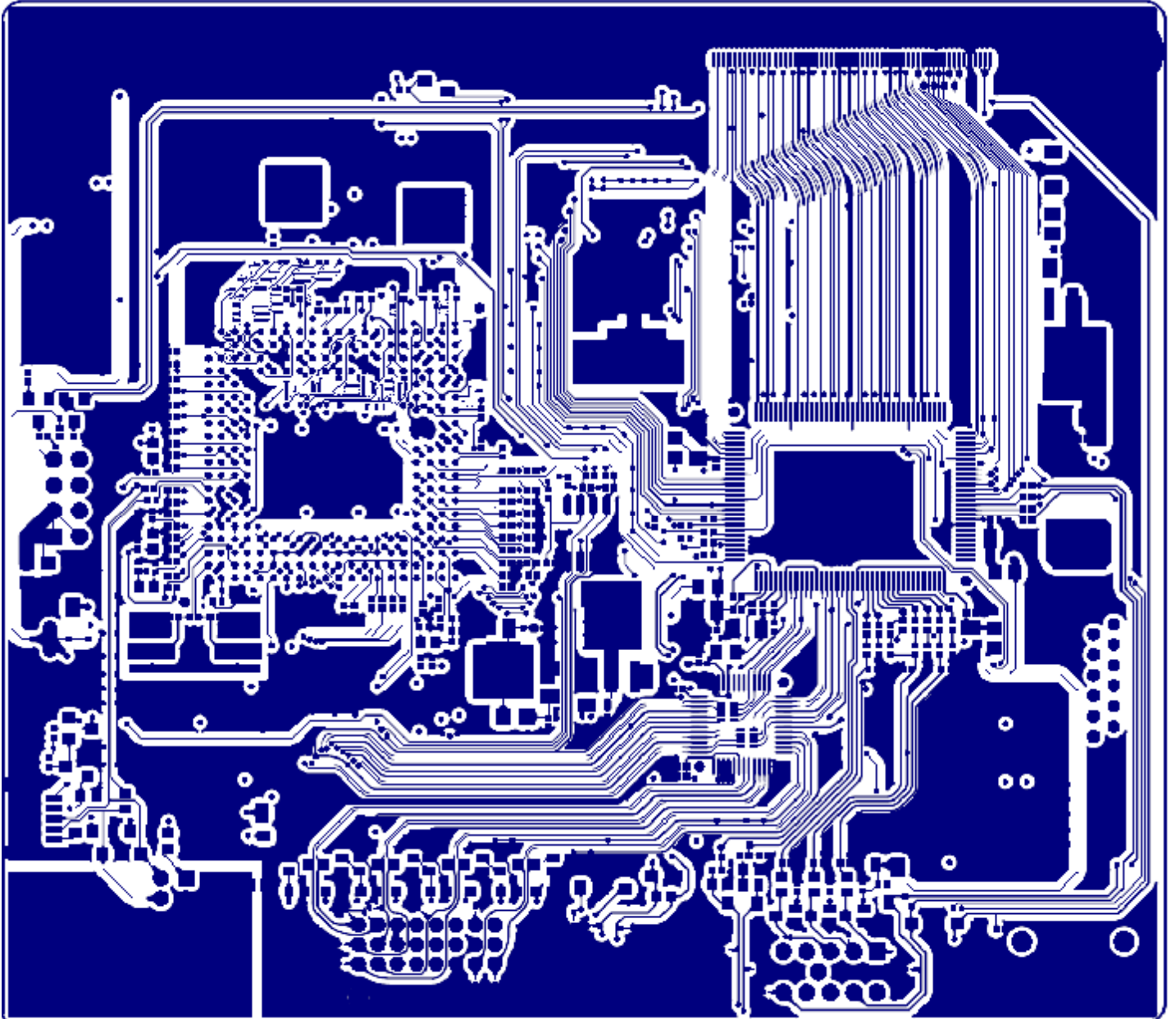
		ASIAN POWER DEVICES INC.	
		Size: A4	Title: E6032-00780-X6
File Name: 098-32059-Ek6	App. By: Daniel	APD Item Only. It remains the property of APD. No other use is permitted without APD prior written consent.	
Rev. No: Code A	Chk. By: Joan	No. DP-01-300-0712	
Date: 20050217	Draw By: Joan		

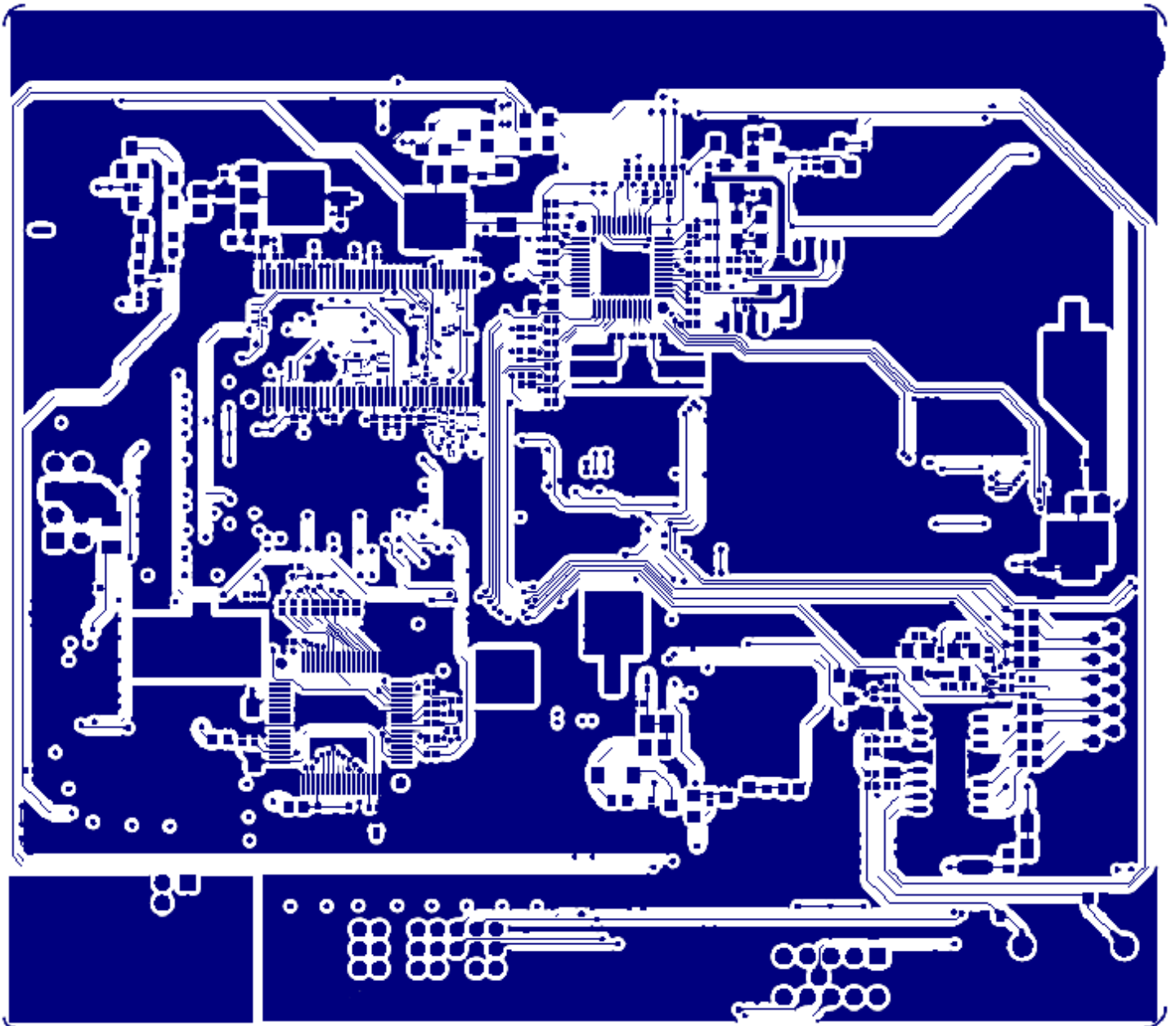


6. PCB Layout

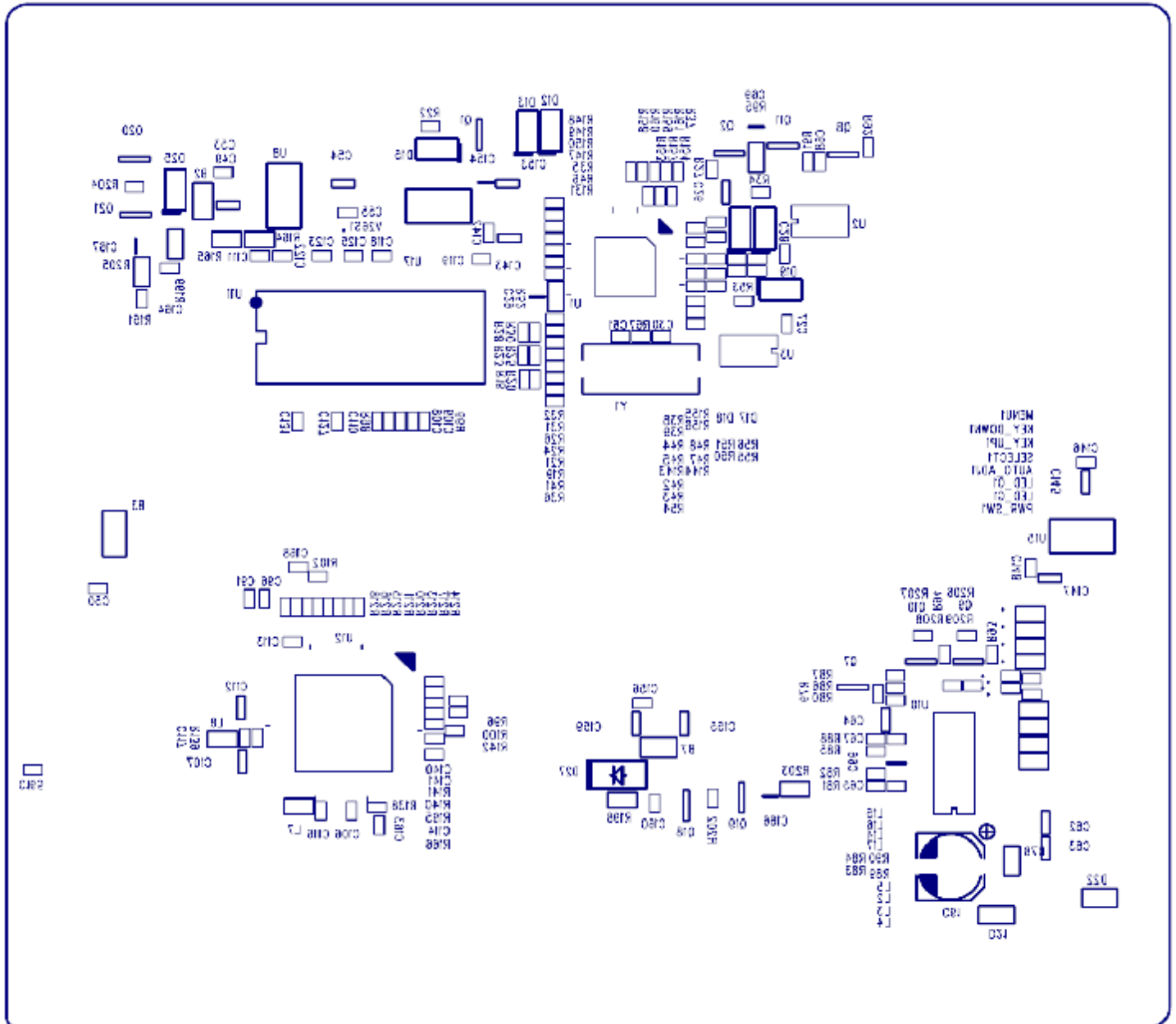
6.1 Main Board

TOP

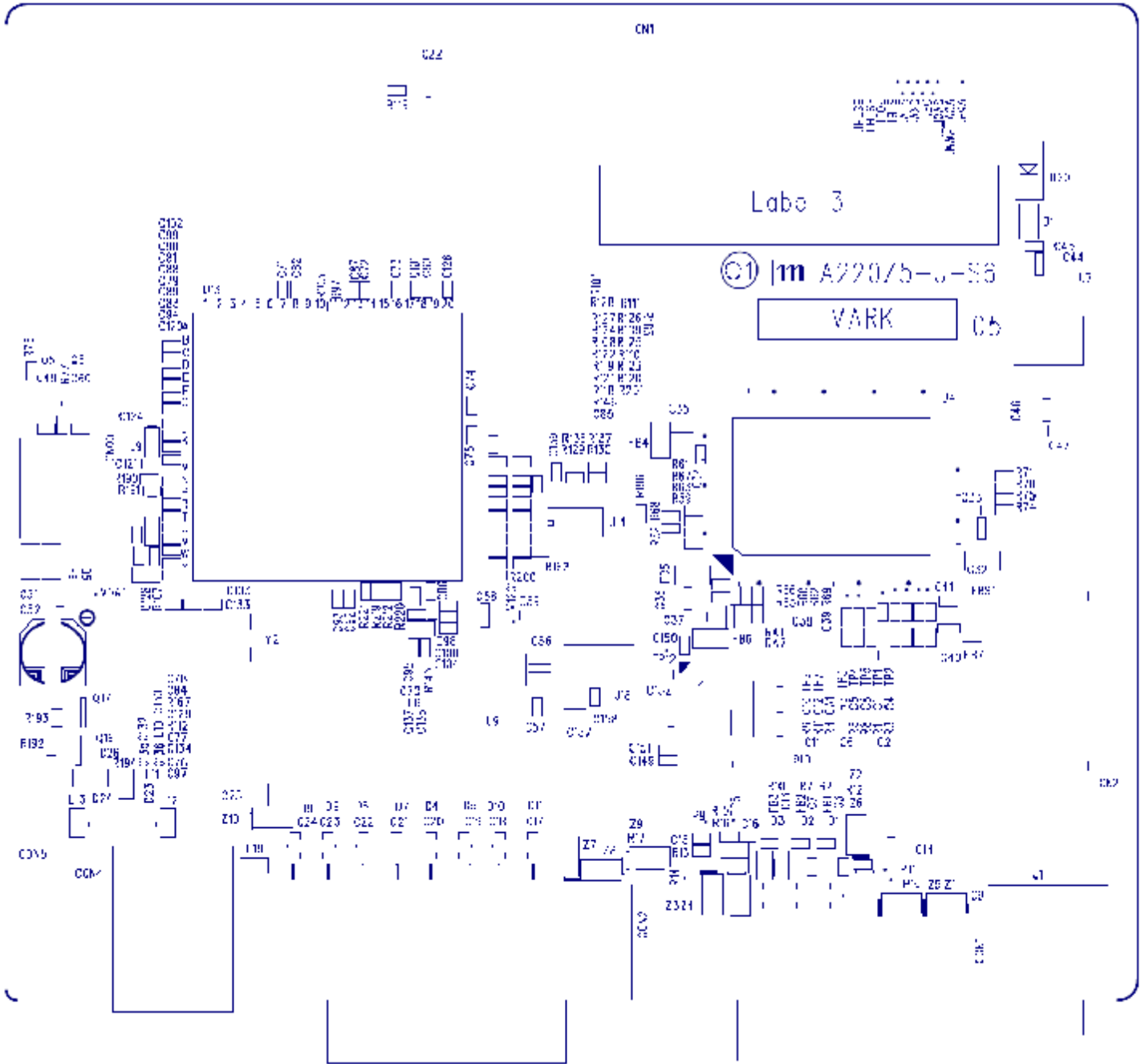


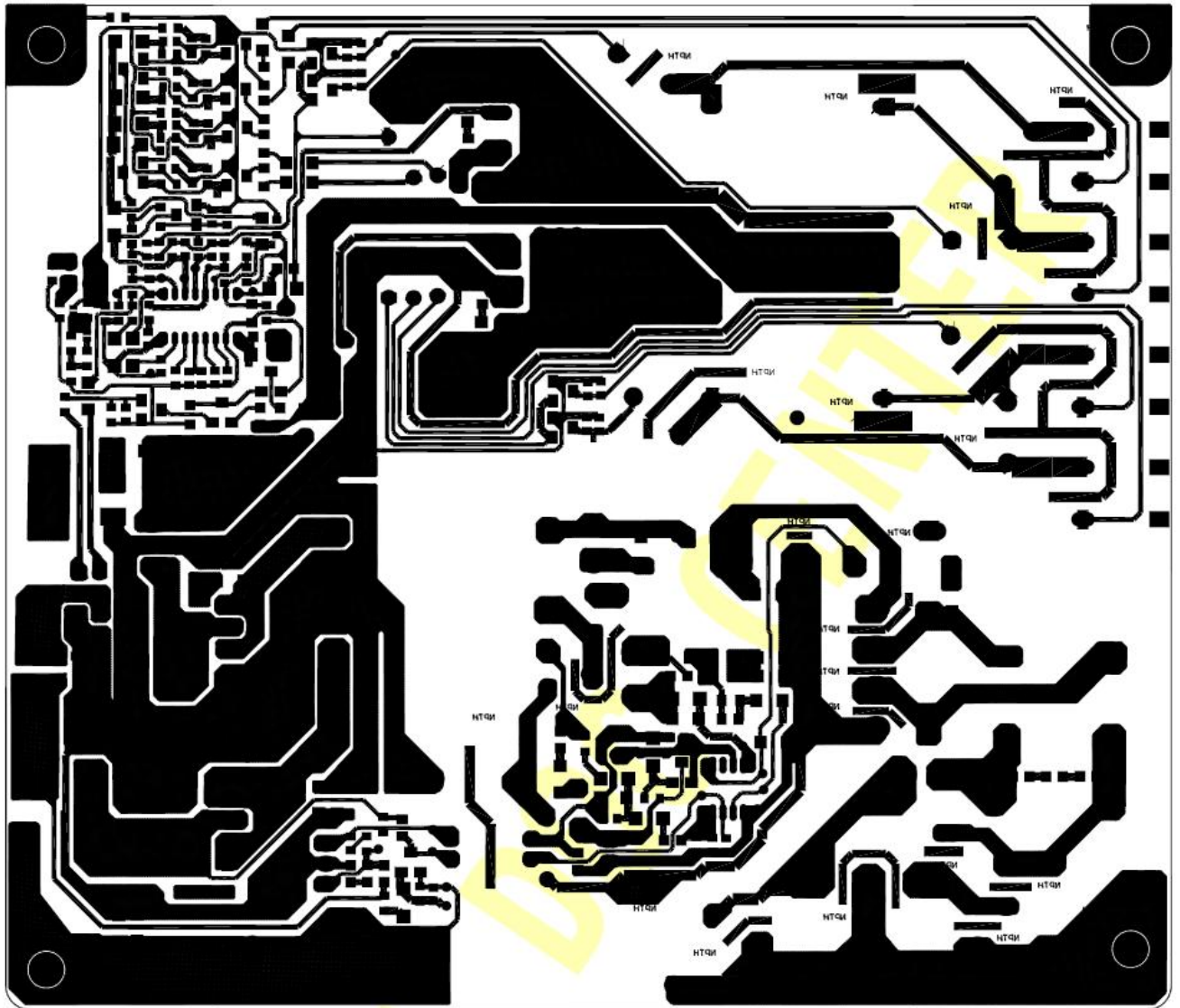


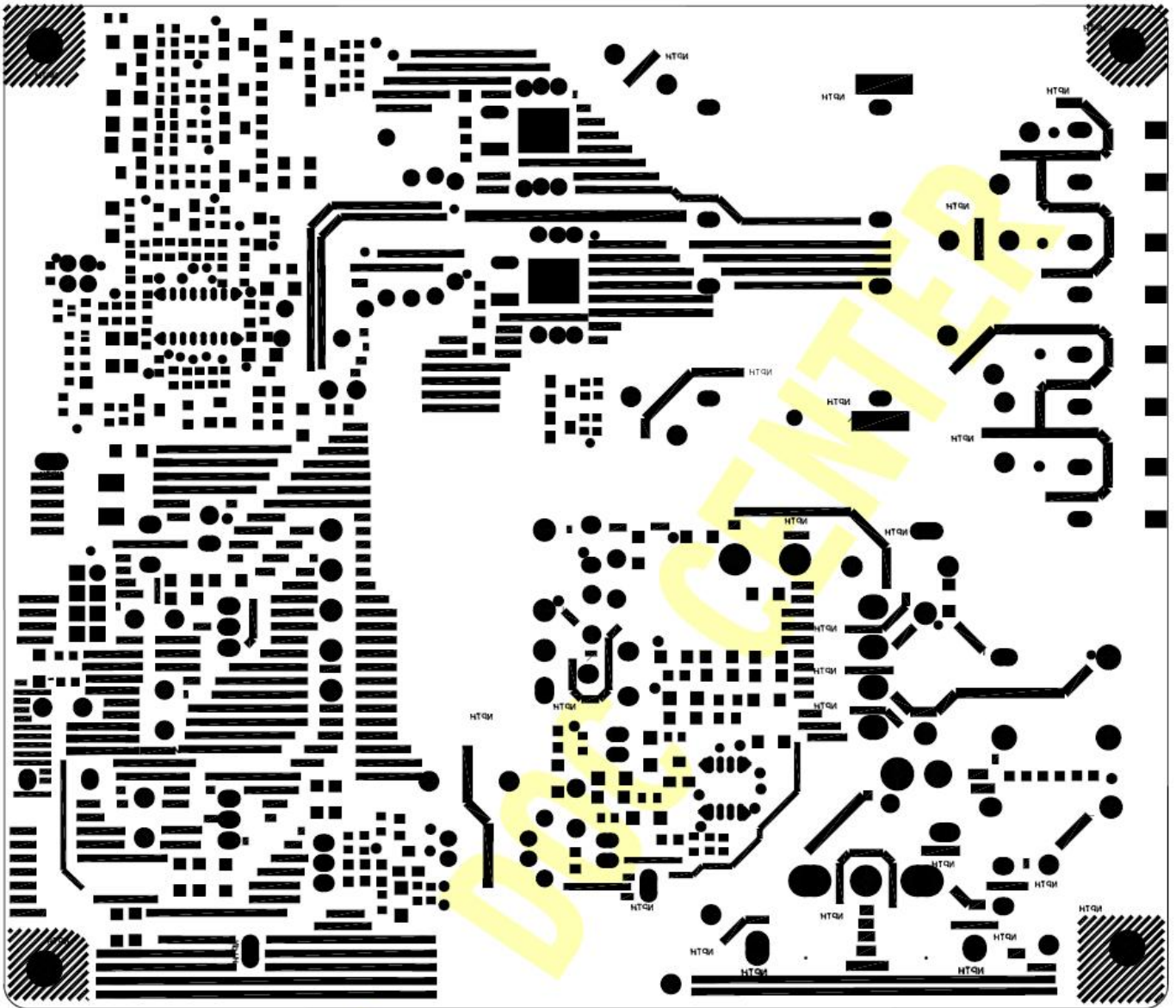
BSILK

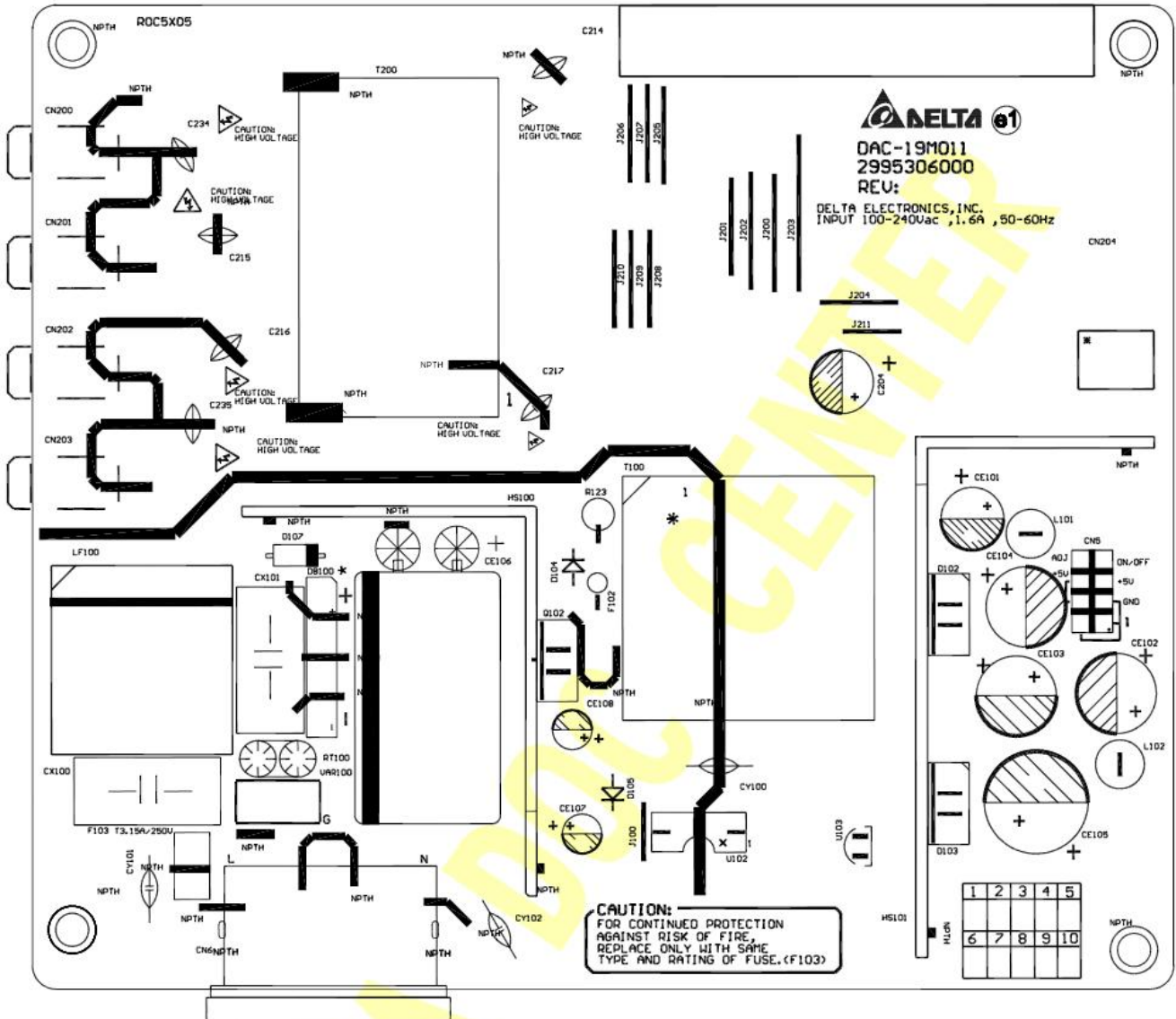


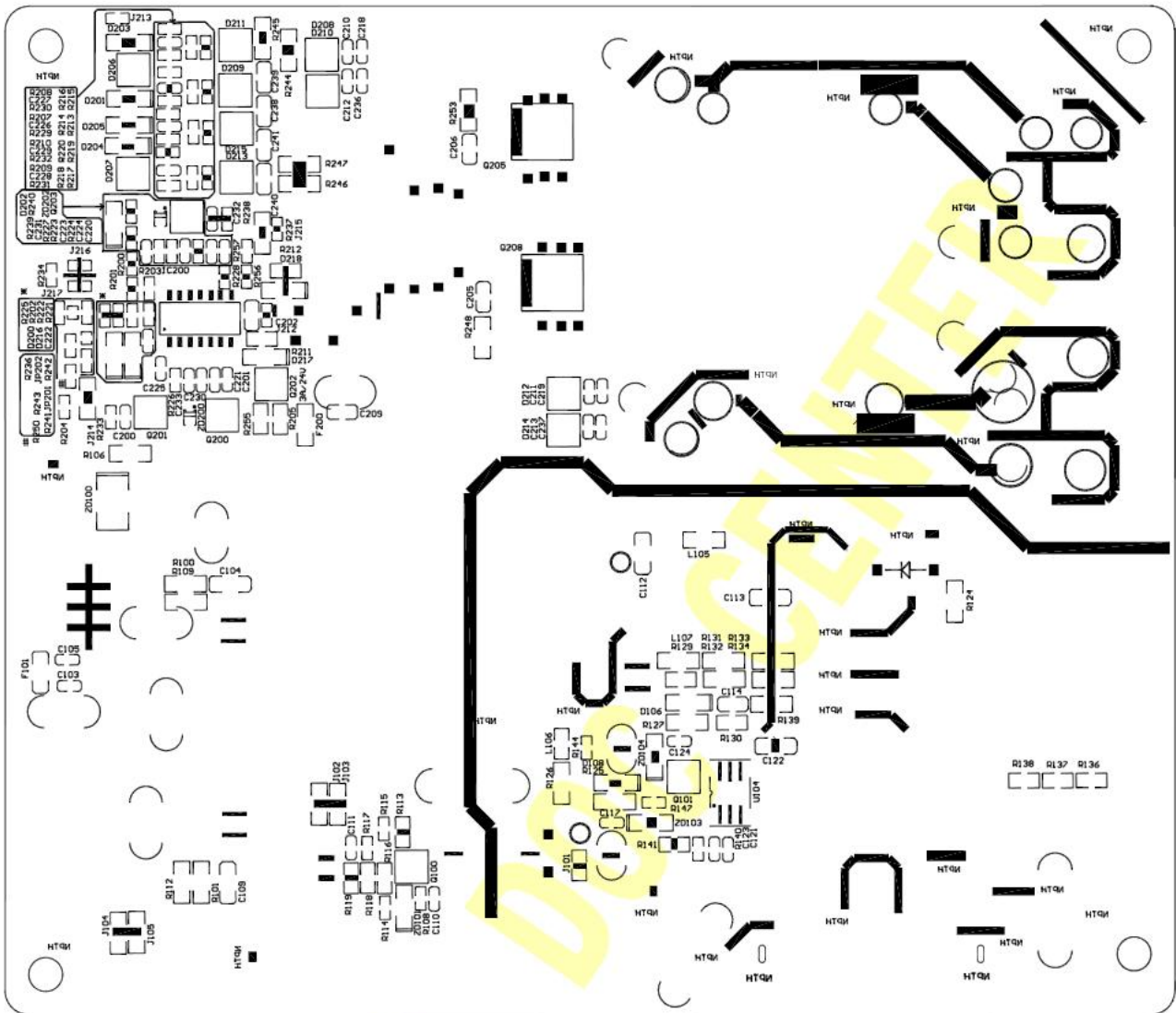
TSILK

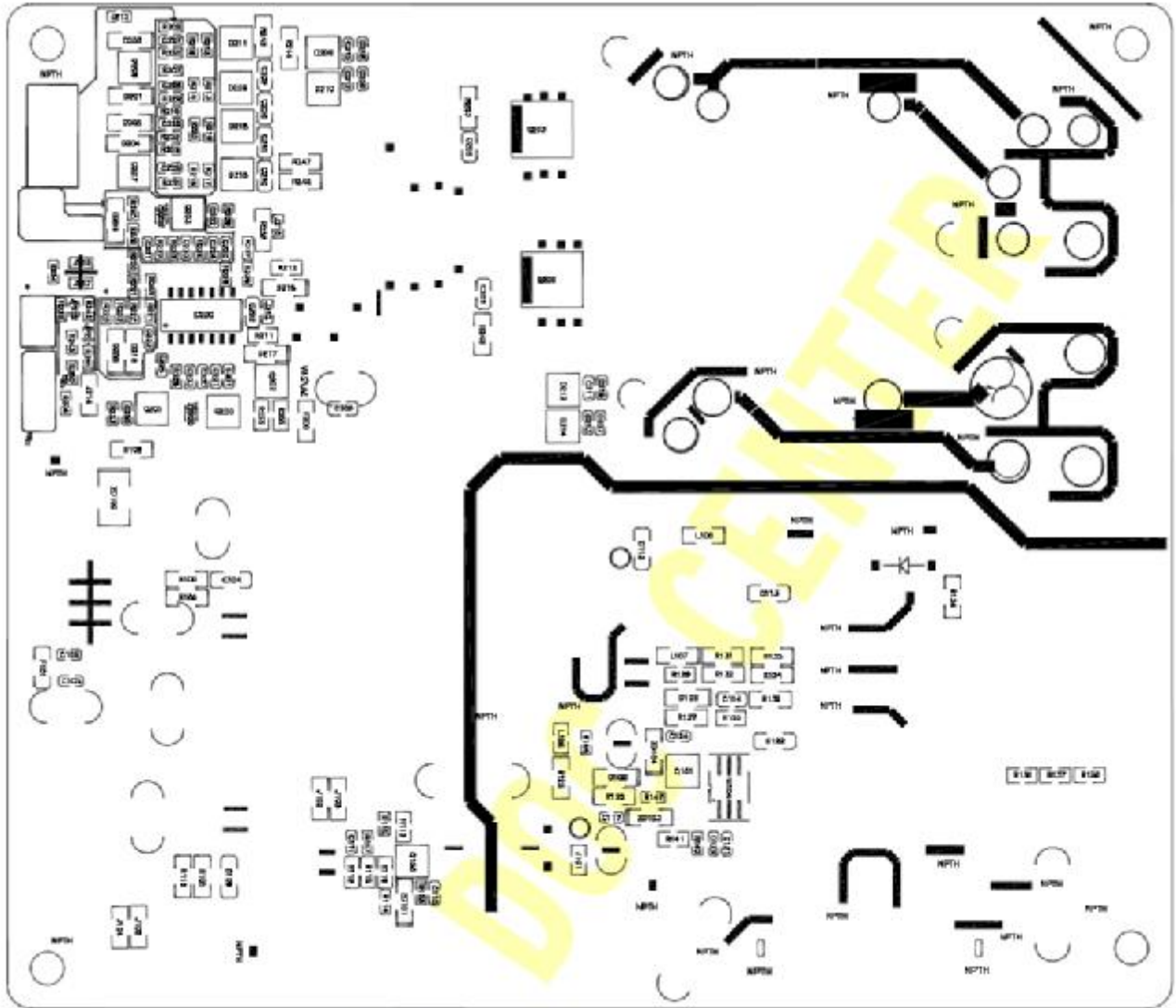




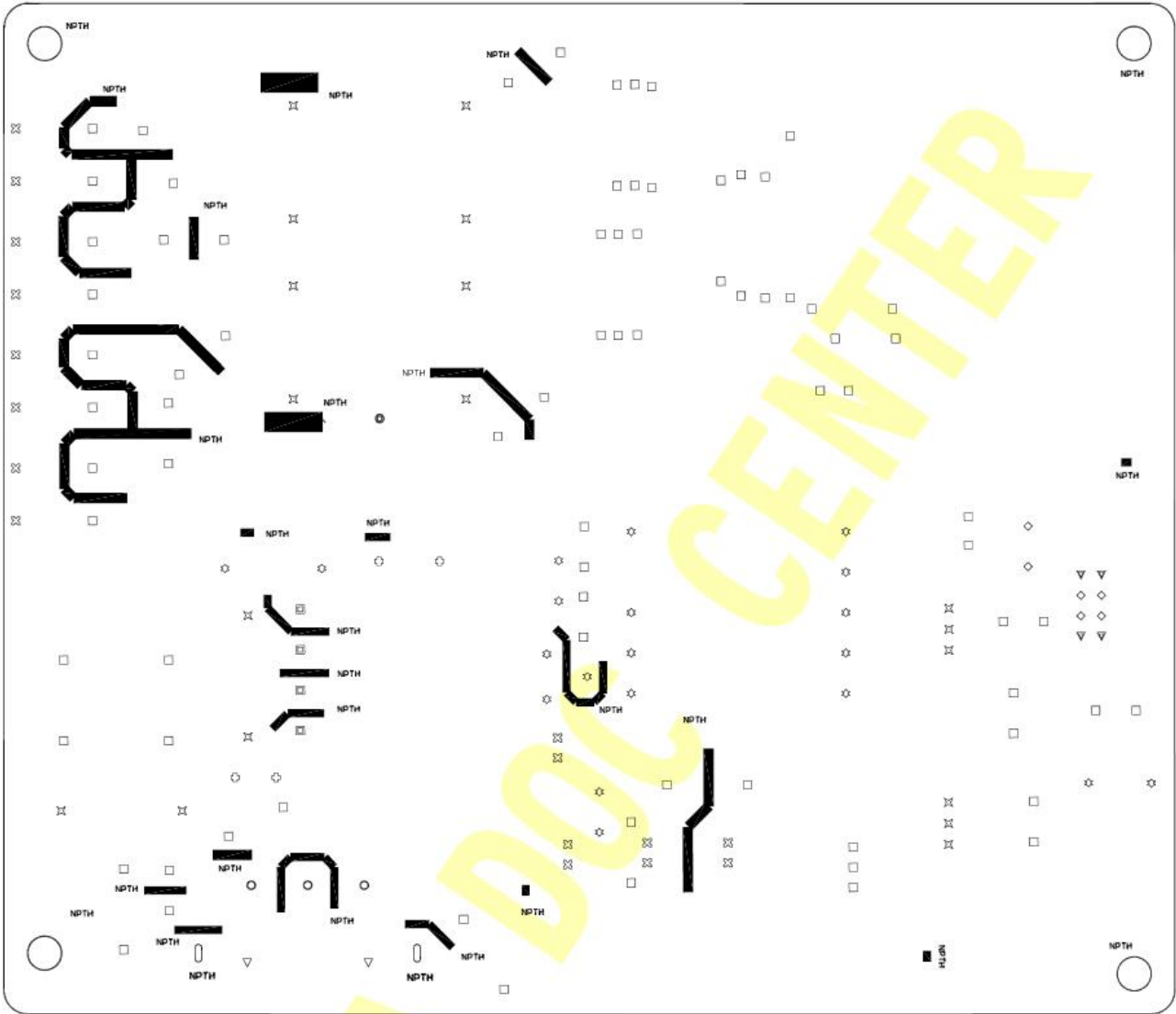








157 Total



6.3 Key Board



7. Disassembly & Assembly

7.1. Procaution

Please read the precautions as follows to prevent any damages to the LCD Monitor and also select the appropriate tools for disassembly and re- assembly ◦

Make sure all power connection is removed. Be sure that the LCD Monitor is in power off status ◦

Prepare soft cloth and sponge as working platform to place LCD monitor horizontally ◦

Hold LCD by the side carefully and DON'T touch or press panel directly ◦



7.2 Suggest Tools

Here are some tools that can be used for the LCD monitor's service and repair ◦

Phililps- head Screwdriver

Use a Philips- head screwdriver of fasten/remove the K – or B-typed screws ◦



Gloves

To protect LCD Panel and your hand



C/D Disassembly Tool

Use C/D Disassembly Tool to open cosmetic cover and avoid scratch ◦



Spacer Screwdriver

Use a spacer screwdriver to fasten/remove spacer screws or hex screws ◦



7.3. Disassembly Procedure

Information in this section is to perform the disassembly procedure of the LCD monitor. Depending on the failures, replace the defective parts accordingly ◦

Asus VW223 LCD Monitor consists of various subsystems. This section describes the procedures for LCD monitor disassembly. In addition, the detailed disassembly procedures of individual subsystem will be provided for your service needs ◦

The disassembly procedure consists of the following steps:

7.3.1. Stand Subsystem

7.3.2. Bezel Subsystem

7.3.3. Main Subsystem

7.3.1 Stand Subsystem

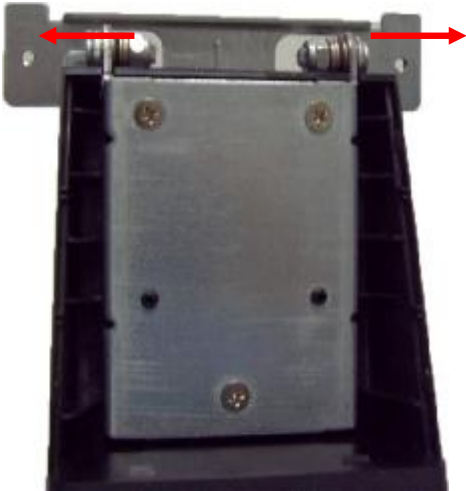
1. Remove Seat Assy



2. Use a spacer screwdriver to loose 2 Screws on Stand Cover



3. Loose and remove 2 screws on the Hinge then remove Hinge Cover



7.3.2. Bezel Subsystem

Rear Cover

1. Loose and remove 1 Screws on the Rear Cover



2. Use Disassembly tool to open Front Bezel cover and avoid scratch



3. Disconnect Front Bezel



4. lift to dismount Rear Cover



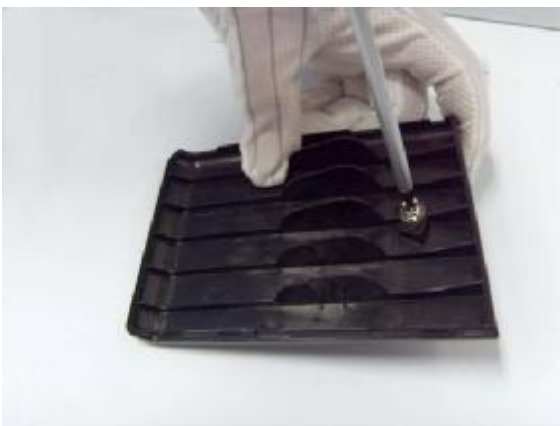
5. Pull out Key Board on the Front Bezel



6. Remove LVDS Cable Connect Main Board with Key Board



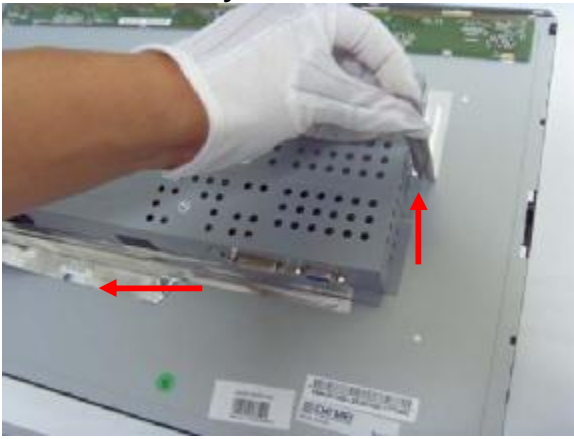
7. Loose and remove 2 Screws and pull out Speaker Cable



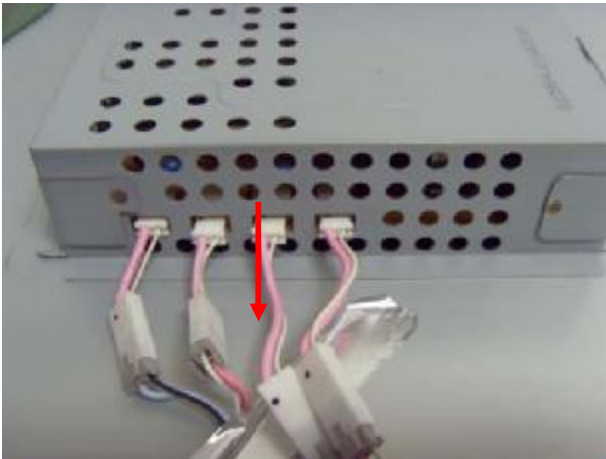
7.3.3 Main Subsystem

Main Shielding

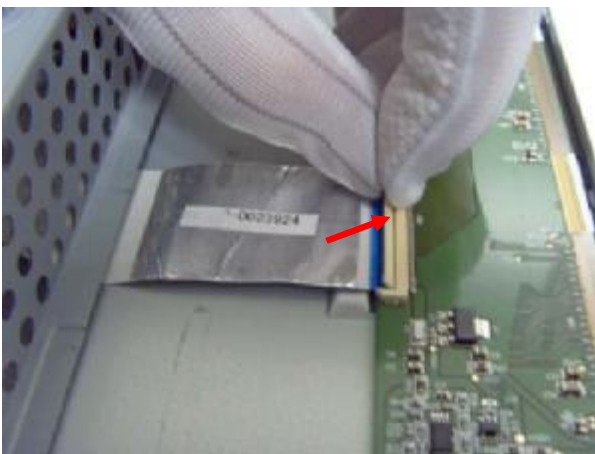
7.3.3 Main Subsystem



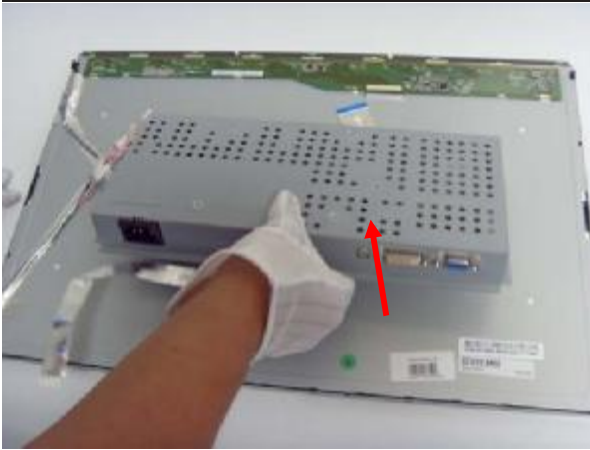
2. Disconnect Lamp Wires with 4



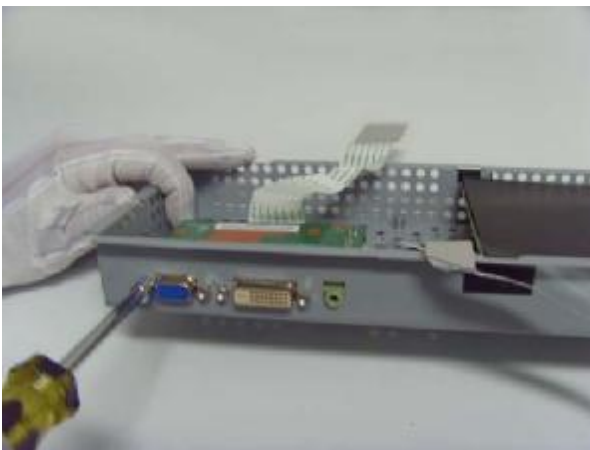
3. Pull out FFC Cable from OSD Board



4. Remove the PCBA Cover from the PANEL



5. Loose and remove 4 Screws from Main Shielding

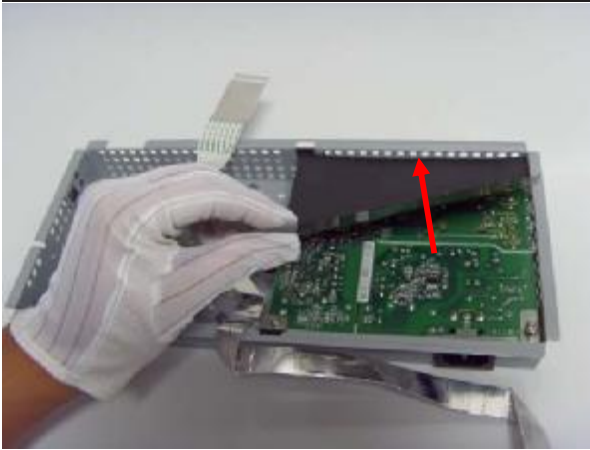


6. Remove Main Board from Cover AD



Power Board

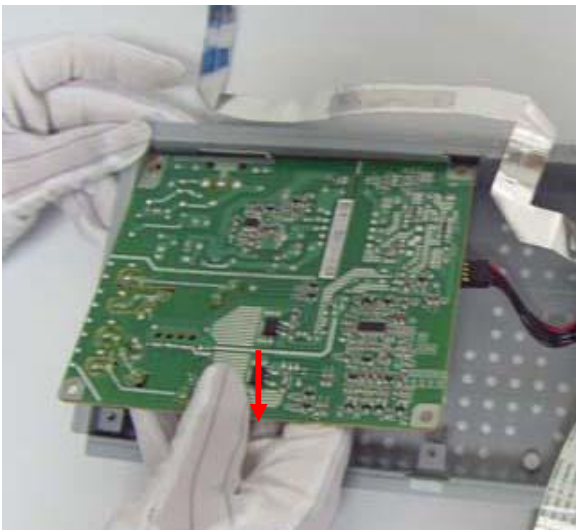
1. Disconnect Mylar from Power Board



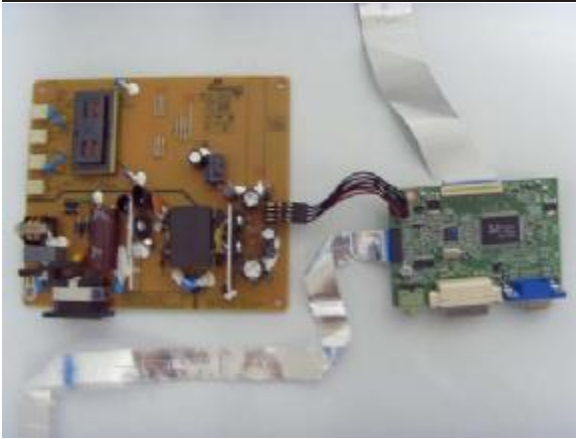
2. Loose and Remove 4 Screws from Power Board



3. Pull out Power Board from Cover AD



4. Turn over the Main Board and disconnect Key Board Cable and Main BD_Power BD Cable



7.4. Assemble Procedure

Information in this section is to perform the assembly procedure of the LCD monitor.

ASUS VW161 LCD monitor consists of various subsystems. This section describes the procedures for LCD monitor assembly. In addition, the detailed assembly procedures of individual modules will be provided for your service needs.

The assembly procedure consists of the following steps:

7.4.1 Bezel Subsystem

7.4.2 Main Subsystem

7.4.3 Stand Subsystem

7.4.1 Bezel Subsystem

1. Assemble the Key Pad onto the LCD Front Bezel



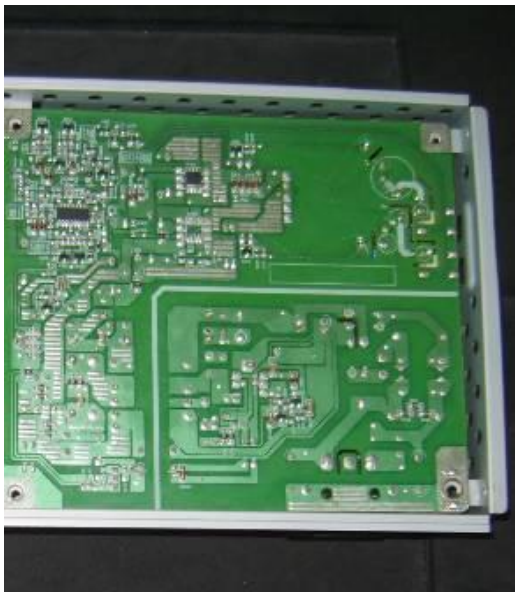
7.4.2 Main Subsystem

1. Install the Speaker and spread the Speaker Cable on the Front Bezel

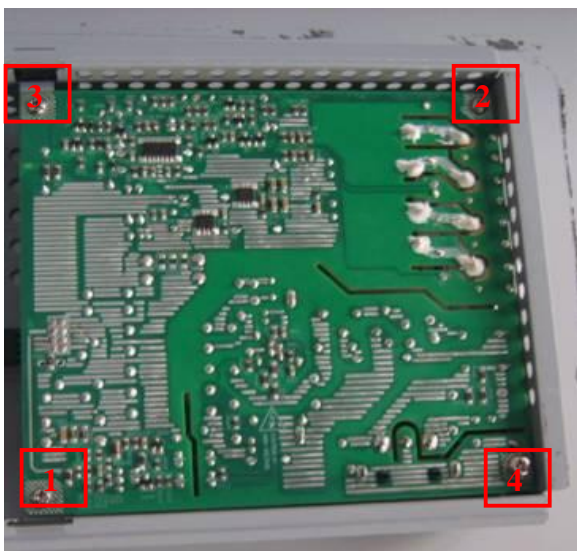


Power Board

1. Assemble Power Board on the Cover AD



2. Tighten 4 Screws on Power Board



Main Board

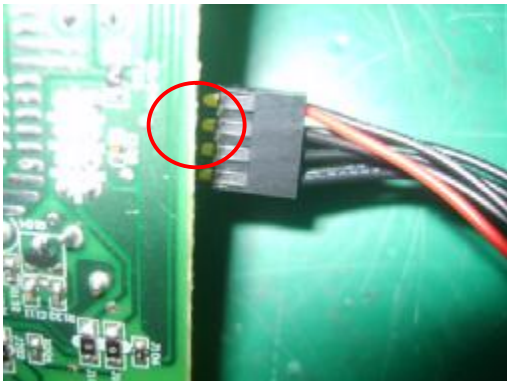
1. Connect FFC Cable with Main Board



2. Assemble Main Board on the Cover AD



3. Connect Main Board and Power BD Cable with Cover AD



Power Board

1. Tighten 4 Screws on Power Board



2. Paste Mylar to fasten on the Power Board



3. Tighten Main Board Screws



4. Secure DVI Screws



Cover AD Assy

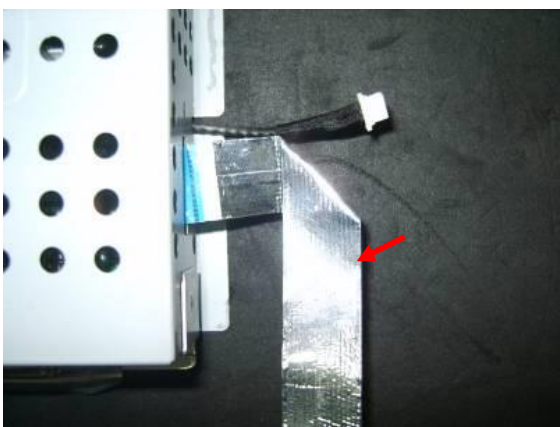
1. Assemble the Cover AD Assy with LCD Panel



2. Paste Conductive Tape and Connect Lamp Wires



3. Plug FFC Cable



Rear Cover

1. Assemble Front Bezel



2. Assemble Rear Cover and press down along sides to lock latches



7.4.3 Stand Subsystem

1. Tighten Rear Cover Screws



2. Mount 2 Screws



3. Mount Seat Assy under Stand



8. Maintainability

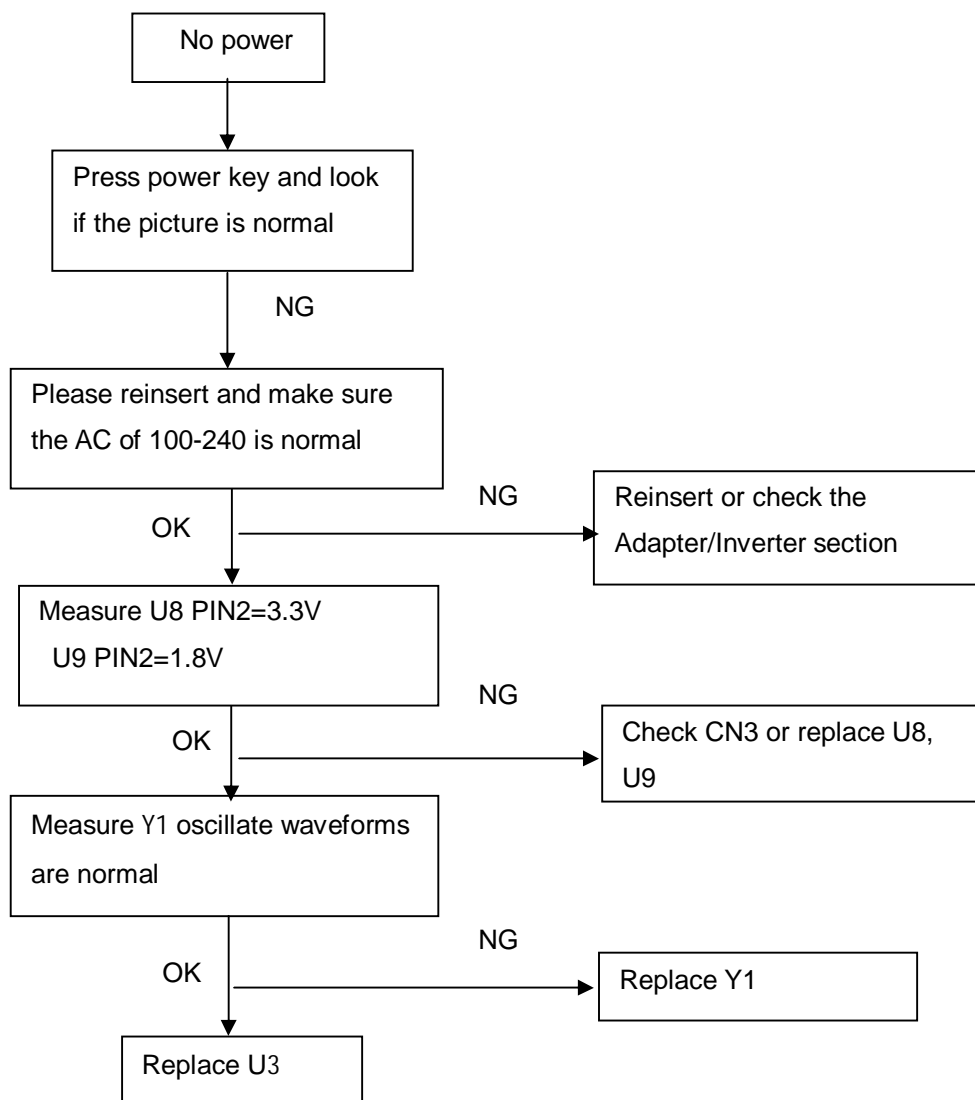
8.1 Equipments and Tools Requirement

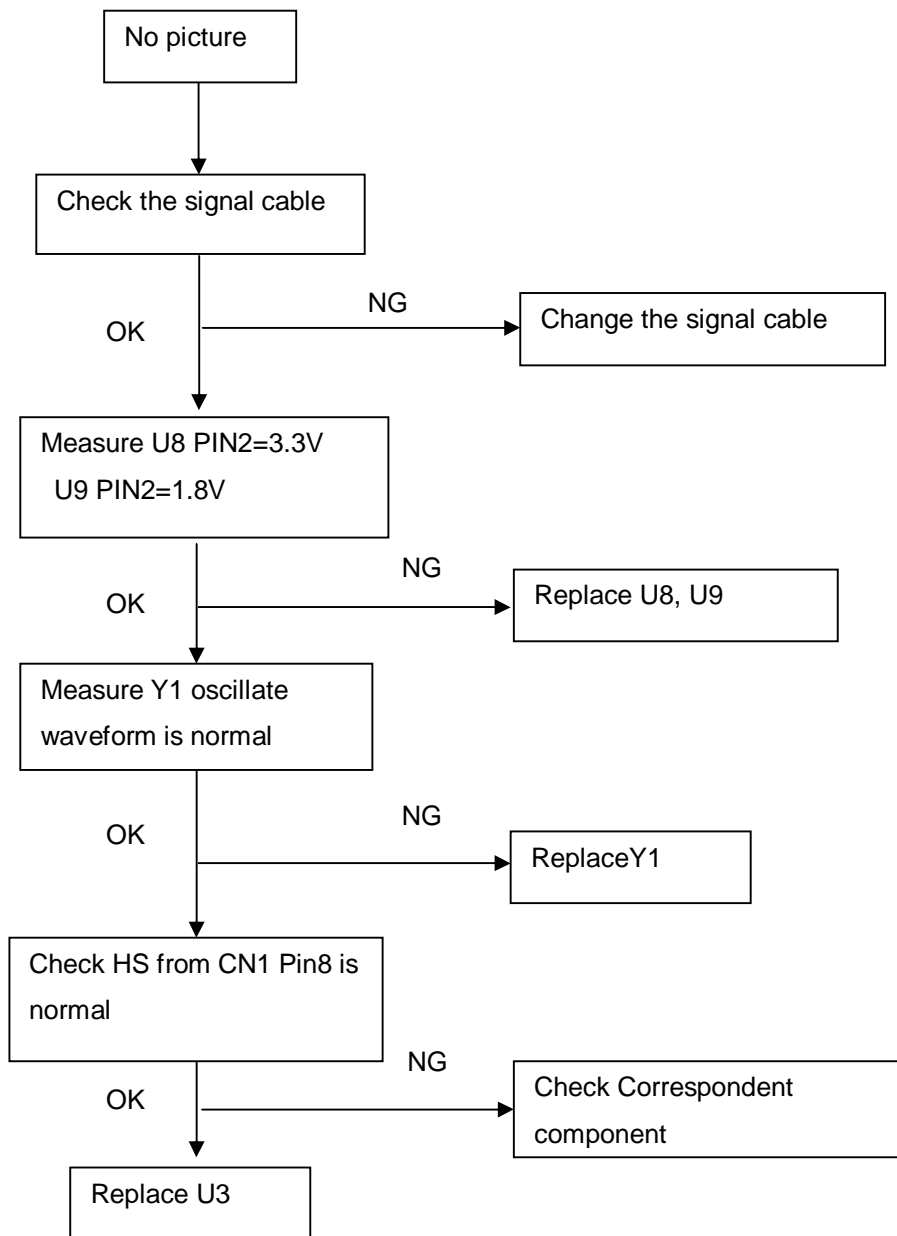
1. Multi-meter.
2. Oscilloscope.
3. Pattern Generator.
4. DDC Tool with an Compatible Computer.
5. Alignment Tool.
6. LCD Color Analyzer.
7. Service Manual.
8. User Manual.

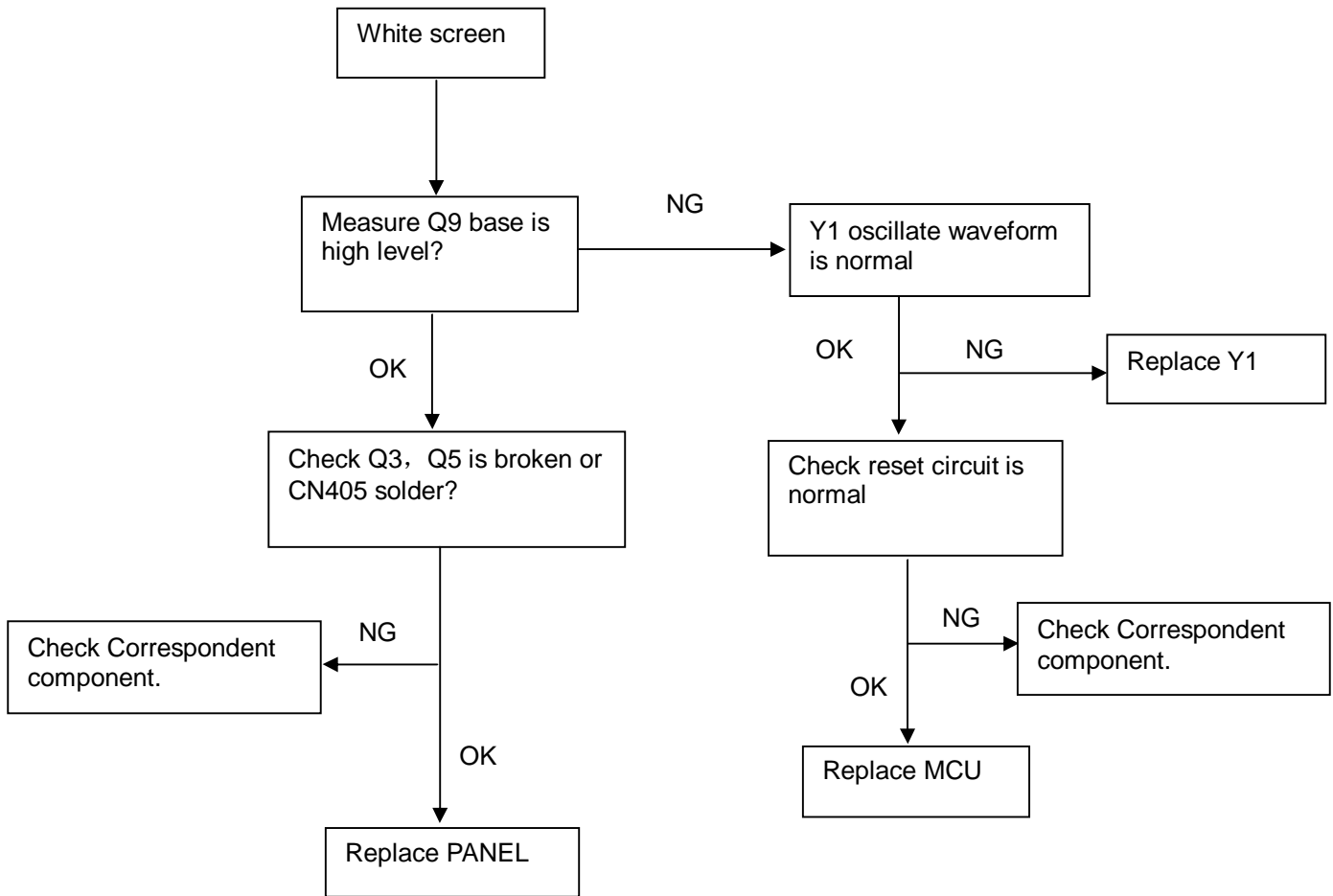
8.2 Trouble Shooting

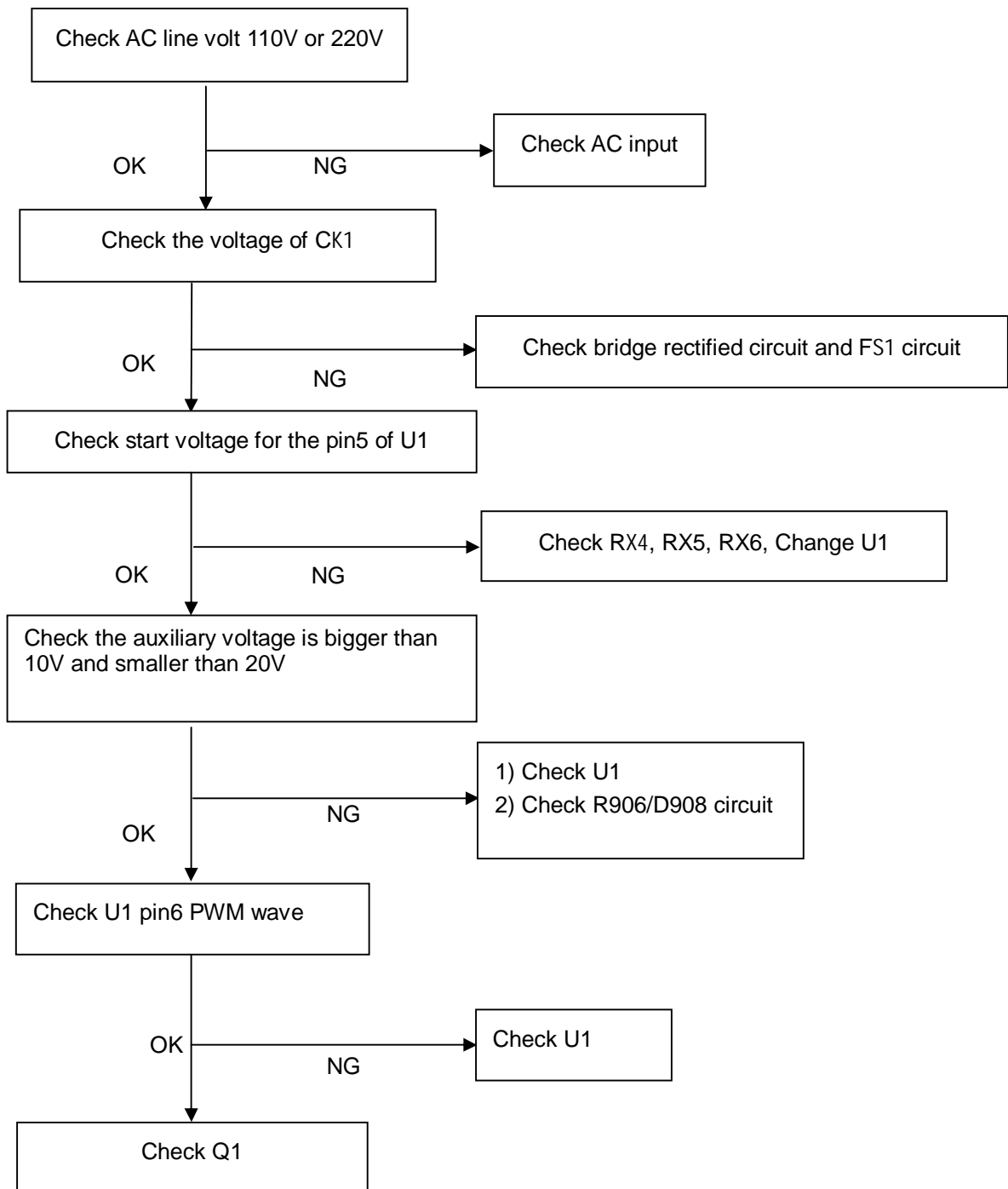
8.2.1 Main Board

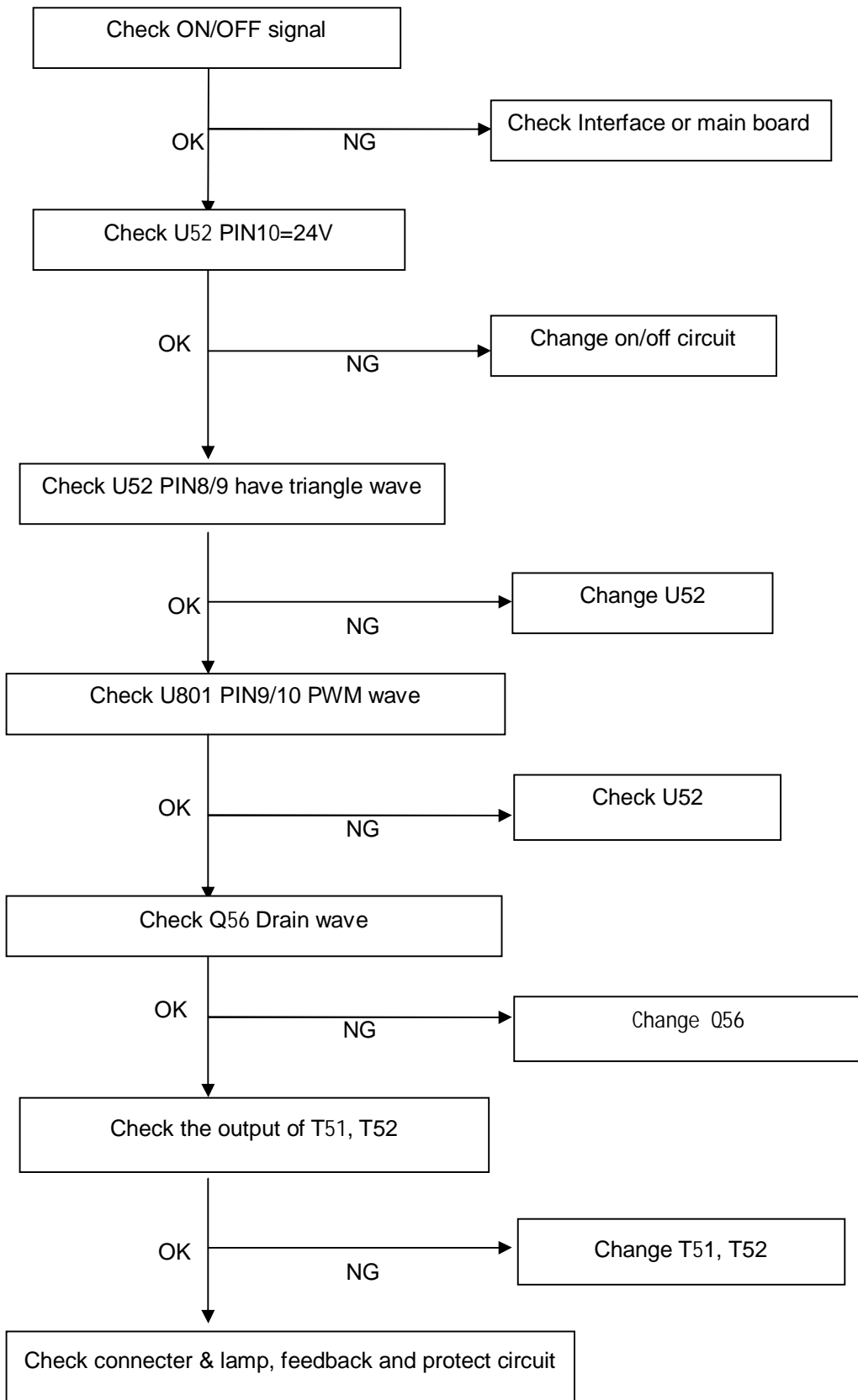
No Power

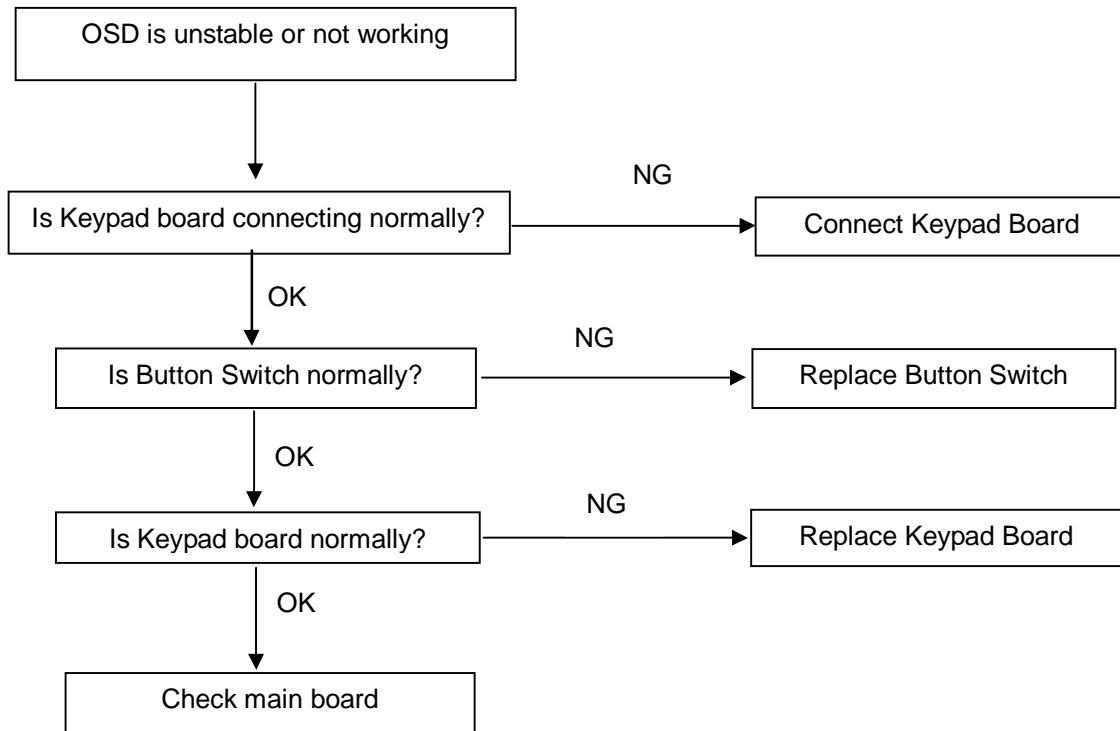












9. White- Balance, Luminance Adjustment

Approximately 30 minutes should be allowed for warm up before proceeding White-Balance adjustment.

1. How to do the Chroma-7120 MEM .Channel setting

A. Reference to chroma 7120 user guide

B. Use “SC” key and “NEXT” key to modify xyY value and use “ID” key to modify the TEXT description Following is the procedure to do white-balance adjust

2. Setting the color temp. You want

Temperature Check Specification

6500°K : $x=0.313\pm0.030$, $y=0.329\pm0.030$, $Y>180$

7500°K : $x=0.299\pm0.030$, $y=0.315\pm0.030$, $Y>180$

9300°K : $x=0.283\pm0.030$, $y=0.297\pm0.030$, $Y>160$

SRGB : $x=0.313\pm0.030$, $y=0.329\pm0.030$, $Y>150\pm15$

Timing:

Analog 00: 56KHz / 60Hz - 1680*1050 / Gray-Scale-0-100-v(32)

Analog 01: 56KHz / 60Hz - 1680*1050 / WHITE-L

Windows-BG 1680*1050—60HZ /56KHZ/STD

60HZ—1680*1050 · nine circle menu

3. Enter into factory mode:

Turn on power, press the Menu button, pull out the power cord, and then plug the power cord. Then the factory OSD will be at the left top of the panel.

4. Bias adjustment:

Set the **Contrast**  to 90

Adjust the **Brightness**  to 100.

5. Gain adjustment :

Move cursor to “-F-” and press MENU key

A. Adjust 9300k color-temperature

1. Switch the Chroma-7120 to **9300k channel**.

2. The chroma 7120 will show $x = 283 \pm 25$, $y = 297 \pm 25$, $Y = 180 \pm 25 \text{ cd/m}^2$

3. Switch the chroma-7120 to **RGB MODE** (with press “MODE” button to change)

4. Adjust the RED on factory window until chroma 7120 indicator reached the value $R=100$

5. Adjust the GREEN on factory window until chroma 7120 indicator reached the value $G=100$

6. Adjust the BLUE on factory window until chroma 7120 indicator reached the value $B=100$

7. Repeat above procedure (item 4, 5, 6) until chroma 7120 RGB value meet the tolerance $=100\pm 2$

B. Adjust **7300k** color-temperature

1. Switch the chroma-7120 to **7300k channel**.

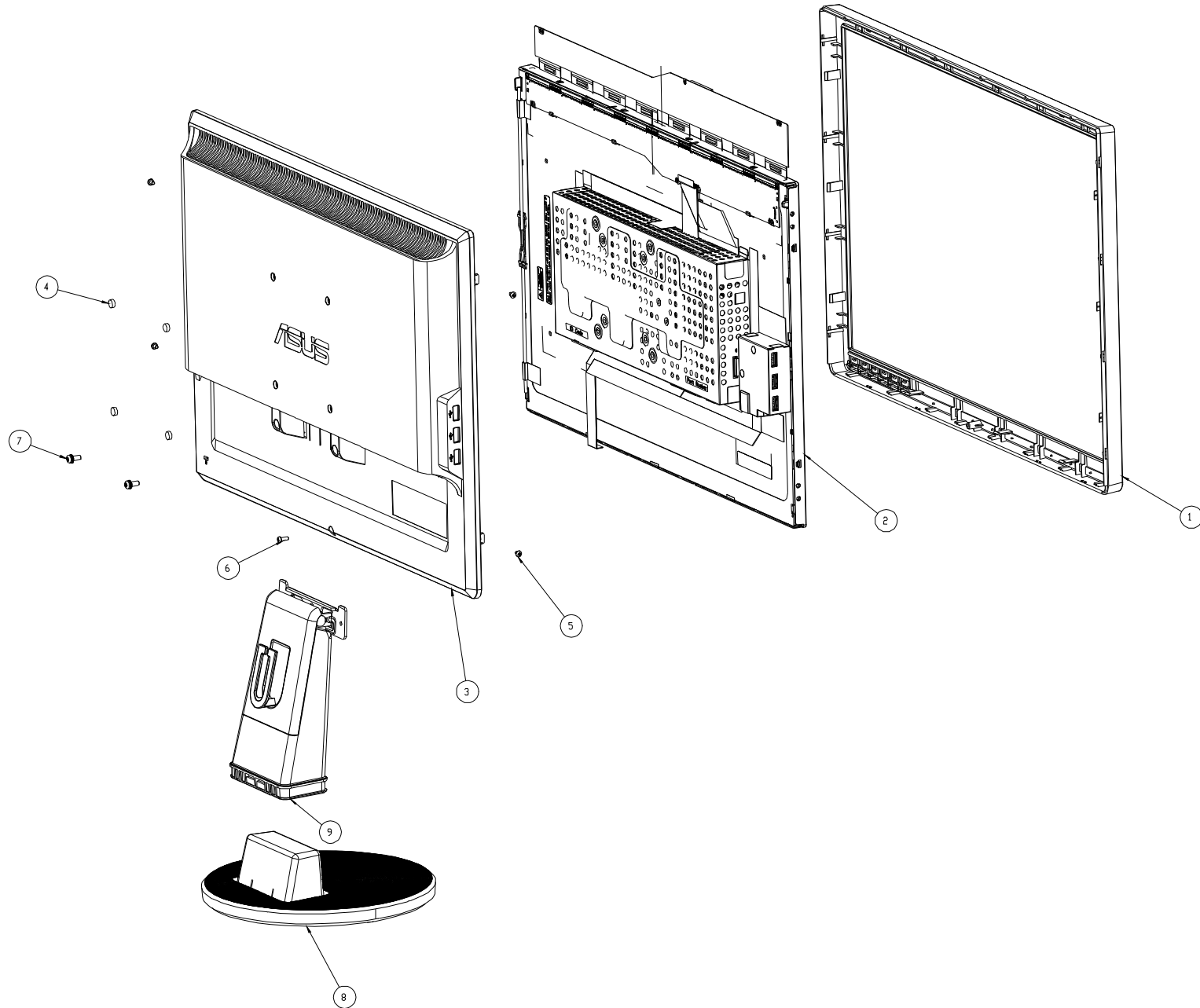
2. The chroma 7120 will show $x = 301 \pm 25$, $y = 317 \pm 25$, $Y = 180 \pm 25 \text{ cd/m}^2$

3. Switch the chroma 7120 to **RGB MODE** (with press “MODE” button to change)

4. Adjust the RED on factory window until chroma 7120 indicator reached the value $R=100$

5. Adjust the GREEN on factory window until chroma 7120 indicator reached the value $G=100$
 6. Adjust the BLUE on factory window until chroma 7120 indicator reached the value $B=100$
 7. Repeat above procedure (item 4, 5, 6) until chroma 7120 RGB value meet the tolerance $=100\pm 2$
- C. Adjust 6500k color-temperature
1. Switch the chroma-7120 to **6500K channel**.
 2. The chroma 7120 will show $x = 313 \pm 25$, $y = 329 \pm 25$, $Y = 180 \pm 25 \text{ cd/m}^2$
 3. Switch the chroma 7120 to **RGB MODE** (with press "MODE" button to change)
 4. Adjust the RED on factory window until chroma 7120 indicator reached the value $R=100$
 5. Adjust the GREEN on factory window until chroma 7120 indicator reached the value $G=100$
 6. Adjust the BLUE on factory window until chroma 7120 indicator reached the value $B=100$
 7. Repeat above procedure (item 4, 5, 6) until chroma 7120 RGB value meet the tolerance $=100\pm 2$
- D. Adjust SRGB color-temperature
1. Switch the chroma-7120 to SRGB channel.
 2. The chroma 7120 will show $x = 313 \pm 25$, $y = 329 \pm 25$, $Y = 150 \text{ cd/m}^2$
 3. Switch the chroma 7120 to **RGB MODE** (with press "MODE" button to change)
 4. Adjust the RED on factory window until chroma 7120 indicator reached the value $R=100$
 5. Adjust the GREEN on factory window until chroma 7120 indicator reached the value $G=100$
 6. Adjust the BLUE on factory window until chroma 7120 indicator reached the value $B=100$
 7. Repeat above procedure (item 4, 5, 6) until chroma 7120 RGB value meet the tolerance $=100\pm 2$
- E. Press reset key and Turn the Power-button "off to on" to quit from factory mode.

10. Monitor Exploded View



ITEM	CMO P/N	TPV P/N	DESCRIPTION	O'TY
1	40-D023873	705GN834329 CM	BEZEL_ASSY_22Z59	1
2	NA	NA	ISM_ASSY_22Z59	1
3	40-D023876	705GN834328 CM	REAR_ASSY_22Z59	1
4	40-D000227	N12G6300003	RUBBER_CAP_D072_T036	4
5	42A9930008	0M1G 330 4120	SCREW_M3X4L_PH_PHC	4
6	42A9930020	OQ1G 130 8120	SCREW_M3X8L_PH_PHC	1
7	42A9940008	0M1G1740 10120	SCREW_M4X10L-PWH_PHC	2
8	40-D023874	705GN834270 CM	SEAT_ASSY_22Z59	1
9	40-D023884	705GN834271 CM	STAND_ASSY_22Z59	1

11. BOM List

VW223T

TC8MRGNTWAUSAZ

Location	Part No.	Description	Remark
	N85G0024 1 WQ	Cover AD 41-D023954	
	N12G6300003 JX	RUBBER_CAP 40-D000227	
	0M1G1740 8120	SCREW FOR STD/MF 42-D020715/42-D000649	
	0M1G 330 4120	SCREW 42A9930008	
	002G6008 2	SCREW 42-D015647	
	OQ1G 330 8120	SCREW 3X8mm 42A9930017/ 42-D002093	
	0M1G1740 10120	SCREW 42A9940008	
	N52G 1VSC005	mylar 73-d0157632	
	N52G 1VSC006	Conductive Tape 60mm *24mm *0.06mm	Second source
	N52G 1211001	Conductive Tape 155mm *15mm *0.06mm	Second source
	N52G 1211007	Conductive Tape 320mm *15mm *0.06mm	Second source
	N44GC015 1 MZ	Cushion RIGHT 78-D024085	
	N44GC015 2 MZ	Cushion LEFT 78-D024087	
	N45G 52001	PE SHEET	
	P45G 77001	wrapping foil	
	080G L22N03 DE	Power board 27-D023530	Main source
	080G L22N04 C	Power board 27-D023531	second source
	095G8014 2N01	WIRE HARNESS 2P-2P 40MM/32-D015712	
	095G8014 2N00	WIRE HARNESS 2P-2P 20MM/32-D016783	
	017G MBN3UUSIC000	MB 35-D023625/BIOS 22R00101/004080407	
	750GLMC0KZ512C000Q	PANEL A220Z5-H03 VSC CMO/SM0Z131D01	
	089G 728CAA DB	D-SUB CABLE	
	089G1738JAA 23	D-SUB CABLE 1800mm 32F3018003	
	089G420A18N IS	POWER CORD 32-D001922	Main source
	089G420A18NISC	POWER CORD 32-D001922	Second source
	089G176C 55N08	FFC Cable 55P 171MM/32-D023924	Main source
	089G176C 15N31	FFC Cable 15P 356MM/32-D023926	Second source
	017G KBN01ITC C	Key board 35-D023724	
	N40G0001680 1A	TAIWAN LABEL- 77-D023834	
	N40G0001680 2A	CARTON LABEL- 77-D023835	
	N40G 22N680 1A	SAFETY LABEL- 77-D023840	
	N40G0001968 2A	S/N LABEL 7741513161	
	N40G0001680 3A	S/N LABEL- 7741519181	
	052G 1185 49	ASUS TAPE 73-D024084	
	N44G9003 80	CORNER PAPER 78-D004868	
	N44G9003178	Corner paper- 7841599161/78-D004864	

	N44G6002114 98	PAPER BOARD 78-D024083	
	N44GC015680 1B	CARTON- 78-D023841	
	N44GC015ASU 1B	Shipping Draw- 79-D024086	
	050G 600 1 W	WHITE STRAP	
	N07G0006 1 HW	PALLET- 78-D020542	
	N41G7800680 7B	QSG FOR VW223	
	N41G780P680 4A	tw warranty card zbd	
	N40G0001680 4A	S/N LABEL FOR WARRANTY CARD-77-D025155	
	Q45G 76 28 RN R	PE BAG MANUAL	
	Q45G 76 28V13 R	pe bag	
	040G 58160811A	GREEN DOT LABEL	
	N40G000268010A	WARRANTY LABEL	
	052G 1186	SMALL TAPE	
	089G 173 56N03	AUDIO CABLE 1.8M	
	089G1748HAA AD	DVI CABLE	
	040G 582680 3A	PALLET LABEL	
	Q85G 583605	GASKET_ALUMINIUM FOIL	
	Q85G 583603	GASKET_ALUMINIUM FOIL	
	EDIDASU22A002	CHECKSUM,0X0F	
	EDIDASU22D002	CHECKSUM 0XAF	
	089G 728HAA DB	D-SUB CABLE	
	N52G 1211007 HB	Conductive Tape 320mm *15mm *0.06mm	Main source
	N52G 1211001 HB	Conductive Tape 155mm *15mm *0.06mm	Main source
	089G176J 15N02	FFC CABLE 15P 356MM/32-D023926	Second source
	089G176J 55N02	FFC CABLE 55P 171MM/32-D023924	Main source
	KEPC8QU6	KEY BOARD 35-D023724	
	BIOS22R00101	22Z5LR0004-20080407,CHECKSUM 0XAA 0XC0	
	N52G 1VSC006 HB	Conductive Tape 60mm *24mm *0.06mm	Main source
	070GHDCP500HDC	HDCP CODE	
	N45G 88609001 DS	PE BAG	
	078G 516N00 KR	SPK 8OHM 1W 80*17*10(right)	
	078G 516N00 KL	SPK 8OHM 1W 80*17*10(left)	
	N34G0136 ZK 1A CM	STAND_FRONT 40-D023886	
	N34G0137 ZK 1A CM	STAND_BACK 40-D023881	
	0Q1G 130 8120	SCREW 42A9930011	
	N37G0026 1	HINGE ASSY 41-D023880	
	N33G0060 ZK 1A	CABLETIDY 40-D023883	
	0Q1G1830 8120	SCREW(3X8) 42A9230001	
	N34G0135 ZK 1B CM	SEAT	
	N15G0031 1	SEAT-PLATE 41-D023879	
	0Q1G 130 8120	SCREW 42A9930011	
	N12G6300002 SX	RUBBER 40A1769201	
	N45G 88606012 DS	pe bag for base	
	N34G0140 ZK 1B CM	REARCOVER	
	0Q1G1830 8120	SCREW(3X8) 42A9230001	
	N12G6300003 SX	RUBBER_CAP 40-D000227	
	N40G0002680 7A	VW223T POP LABEL	
	N40G0002680 9A	TRY ME LABEL	
	705GN834432 CM	BEZEL ASSY 40-D023968	
	N34G0138 ZKD1B CM	BEZEL	
	N34G0139 ZK 1B CM	DECORATION 40-D023878	
	N33G0062 ZK 1B	KEYPAD	
	N33G0063 ZK 1B	LENS	
	N23G3178715 1A BT	AUSU NAME LOGO	

TC8MRGNTWAUSAZND

Location	Part No.	Description	Remark
	N12G6300003	RUBBER CAP 40-D000227	
	0Q1G 330 8120	SCREW 3X8mm 42A9930017/ 42-D002093	
	0M1G1740 10120	SCREW 42A9940008	
	N52G 1VSC006	Conductive Tape 60mm *24mm *0.06mm	
	N44GC015 1 MZ	Cushion RIGHT 78-D024085	
	N44GC015 2 MZ	Cushion LEFT 78-D024087	
	N45G 52001	PE SHEET	
	P45G 77001	wrapping foil	
	089G 728CAA DB	D-SUB CABLE	
	089G1738JAA 23	D-SUB CABLE 1800mm 32F3018003	
	089G420A18N IS	POWER CORD 32-D001922	Main source
	089G420A18NISC	POWER CORD 32-D001922	Second source
	017G KBN01ITC C	Key board 35-D023724	
	N40G0001680 1A	TAIWAN LABEL- 77-D023834	
	N40G0001680 2A	CARTON LABEL- 77-D023835	
	F40G 22N680 1A	SAFETY LABEL	
	N40G0001968 2A	S/N LABEL 7741513161	
	N40G0001680 3A	S/N LABEL- 7741519181	
	052G 1185 49	ASUS TAPE 73-D024084	
	N44G9003 80	CORNER PAPER 78-D004868	
	N44G9003178	Corner paper- 7841599161/78-D004864	
	N44G6002114 98	PAPER BOARD 78-D024083	
	N44GC015680 1B	CARTON- 78-D023841	
	N44GC015ASU 1B	Shipping Draw- 79-D024086	
	050G 600 1 W	WHITE STRAP	
	N07G0006 1 HW	PALLET- 78-D020542	
	N41G7800680 7B	QSG FOR VW223	
	N41G780P680 4A	tw warranty card zbd	
	N40G0001680 4A	S/N LABEL FOR WARRANTY CARD- 77-D025155	
	Q45G 76 28 RN R	PE BAG MANUAL	
	Q45G 76 28V13 R	pe bag	
	040G 58160811A	GREEN DOT LABEL	
	N40G000268010A	WARRANTY LABEL	
	052G 1186	SMALL TAPE	
	040G 582680 3A	PALLET LABEL	
	089G 173 56N03	AUDIO CABLE 1.8M	
	089G1748HAA AD	DVI CABLE	
	089G176C 15N31	FFC Cable 15P 356MM/32-D023926	Second source
	089G176C 55N08	FFC Cable 55P 171MM/32-D023924	Main source
	750GLMC0KZ512C000Q	PANEL A220Z5-H03 VSC CMO/SM0Z131D01	
	095G8014 2N00	WIRE HARNESS 2P-2P 20MM/32-D016783	
	095G8014 2N01	WIRE HARNESS 2P-2P 40MM/32-D015712	
	080G L22N04 C	Power board 27-D023531	Second source
	080G L22N03 DE	Power board 27-D023530	Main source
	N85G0024 1 WQ	Cover AD 41-D023954	
	0M1G 330 4120	SCREW 42A9930008	
	N52G 1VSC005	mylar 73-d0157632	
	0M1G1740 8120	SCREW FOR STD/MF 42-D020715/42-D000649	
	N52G 1211001	Conductive Tape 155mm *15mm *0.06mm	
	N52G 1211014	Conductive Tape 73-D024198	
	002G6008 2	SCREW 42-D015647	
	Q85G 583605	GASKET_ALUMINIUM FOIL	

	Q85G 583603		GASKET_ALUMINIUM FOIL	
	N52G 1211001 HB		Conductive Tape 155mm *15mm *0.06mm	
	EDIDASU22A002		CHECKSUM,0X0F	
	EDIDASU22D002		CHECKSUM 0XAF	
	KEPC8QU6		KEY BOARD 35-D023724	
	BIOS22R00101		22Z5LR0004-20080407,CHECKSUM 0XAA 0XC0	
	017G MBN3UUSIC000		MB 35-D023625/BIOS 22R00101/004080407	
	N52G 1VSC006 HB		Conductive Tape 60mm *24mm *0.06mm	Main source
	N45G 88609001 DS		PE BAG	
	078G 516N00 KR		SPK 8OHM 1W 80*17*10(right)	
	078G 516N00 KL		SPK 8OHM 1W 80*17*10(left)	
	N15G0031 1		SEAT-PLATE 41-D023879	
	N34G0135 ZK 1B CM		SEAT	
	0Q1G 130 8120		SCREW 42A9930011	
	N12G6300002 SX		RUBBER 40A1769201	
	N45G 88606012 DS		pe bag for base	
	N34G0136 ZK 1A CM		STAND_FRONT 40-D023886	
	N34G0137 ZK 1A CM		STAND_BACK 40-D023881	
	N37G0026 1		HINGE ASSY 41-D023880	
	0Q1G 130 8120		SCREW 42A9930011	
	N33G0060 ZK 1A		CABLETIDY 40-D023883	
	0Q1G1830 8120		SCREW(3X8) 42A9230001	
	N34G0140 ZK 1B CM		REARCOVER	
	0Q1G1830 8120		SCREW(3X8) 42A9230001	
	N12G6300003 SX		RUBBER_CAP 40-D000227	
	N40G0002680 7A		VW223T POP LABEL	
	N40G0002680 9A		TRY ME LABEL	
	705GN834432 CM		BEZEL ASSY 40-D023968	
	705GN834432 CM		BEZEL ASSY 40-D023968	
	N34G0138 ZKD1B CM		BEZEL	
	N34G0139 ZK 1B CM		DECORATION 40-D023878	
	N33G0062 ZK 1B		KEYPAD	
	N33G0063 ZK 1B		LENS	
	N23G3178715 1A BT		AUSU NAME LOGO	

TC8MRGNDWAUAZ

Location	Part No.	Description	Remark
	N85G0024 1 WQ	Cover AD 41-D023954	
	N12G6300003 SX	RUBBER_CAP 40-D000227	
	0M1G1740 8120	SCREW FOR STD/MF 42-D020715/42-D000649	
	0M1G 330 4120	SCREW 42A9930008	
	002G6008 2	SCREW 42-D015647	
	0Q1G 330 8120	SCREW 3X8mm 42A9930017/ 42-D002093	
	0M1G1740 10120	SCREW 42A9940008	
	N52G 1VSC005	mylar 73-d0157632	
	N52G 1VSC006	Conductive Tape 60mm *24mm *0.06mm)	
	N52G 1211001	Conductive Tape 155mm *15mm *0.06mm	
	N52G 1211007	Conductive Tape 320mm *15mm *0.06mm	
	N44GC015 1 MZ	Cushion RIGHT 78-D024085	
	N44GC015 2 MZ	Cushion LEFT 78-D024087	
	N45G 52001	PE SHEET	
	P45G 77001	wrapping foil	
	080G L22N03 DE	Power board 27-D023530	Main source
	080G L22N04 C	Power board 27-D023531	Second source

	095G8014 2N01	WIRE HARNESS 2P-2P 40MM/32-D015712	
	095G8014 2N00	WIRE HARNESS 2P-2P 20MM/32-D016783	
	017G MBN3UUSIC000	MB 35-D023625/BIOS 22R00101/004080407	
	750GLMC0KZ512C000Q	PANEL A220Z5-H03 VSC CMO/SM0Z131D01	
	089G 728CAA DB	D-SUB CABLE	
	089G1738JAA 23	D-SUB CABLE 1800mm 32F3018003	
	089G414A18N YH	POWER CORD(32E1818021)	Main source
	089G414A18NIS6	POWER CORD 32E1818021	
	089G176C 55N08	FFC Cable 55P 171MM/32-D023924	Main source
	089G176C 15N31	FFC Cable 15P 356MM/32-D023926	Second source
	017G KBN01ITC C	Key board 35-D023724	
	N40G0001680 5A	manufactory label	
	N40G0001680 2A	CARTON LABEL- 77-D023835	
	N40G 22N680 6A	SAFETY LABEL	
	N40G0001968 2A	S/N LABEL 7741513161	
	N40G0001680 3A	S/N LABEL- 7741519181	
	052G 1185 49	ASUS TAPE 73-D024084	
	N44G9003 80	CORNER PAPER 78-D004868	
	N44G9003178	Corner paper- 7841599161/78-D004864	
	N44G6002114 98	PAPER BOARD 78-D024083	
	N44GC015680 1B	CARTON- 78-D023841	
	N44GC015ASU 1B	Shipping Draw- 79-D024086	
	050G 600 1 W	WHITE STRAP	
	N07G0006 1 HW	PALLET- 78-D020542	
	N41G7800680 7B	QSG FOR VW223	
	N41G780P680 1A	CHINA WARRANTY CARD ZBD	
	N40G0001680 4A	S/N LABEL FOR WARRANTY CARD-77-D025155	
	Q45G 76 28 RN R	PE BAG MANUAL	
	Q45G 76 28V13 R	pe bag	
	040G 58160811A	GREEN DOT LABEL	
	N40G000268010A	WARRANTY LABEL	
	052G 1186	SMALL TAPE	
	N40G0002680 3A	CHINA LABEL	
	040G 582680 3A	PALLET LABEL	
	750GLMC0KZ572C000Q	PANEL A220Z5 CMO/SM0Z13AD01	
	089G 173 56N03	AUDIO CABLE 1.8M	
	089G1748HAA AD	DVI CABLE	
	Q85G 583605	GASKET_ALUMINIUM FOIL	
	Q85G 583603	GASKET_ALUMINIUM FOIL	
	EDIDASU22D002	CHECKSUM 0XAF	
	EDIDASU22A002	CHECKSUM,0X0F	
	089G 728HAA DB	D-SUB CABLE	
	078G 516N00 D	SPK 8OHM 1W 80*17*10	
	078G 477N00 Y	SPK 8OHM 1W 54X17mm	
	N34G0135 ZK 1A CM	SEAT	
	N15G0031 1	SEAT-PLATE 41-D023879	
	0Q1G 130 8120	SCREW 42A9930011	
	N12G6300002 SX	RUBBER 40A1769201	
	N34G0136 ZK 1A CM	STAND_FRONT 40-D023886	
	N34G0137 ZK 1A CM	STAND_BACK 40-D023881	
	0Q1G 140 10120	SCREW	
	N37G0026 1 CX	HINGE	
	N33G0060 ZK 1A	CABLETIDY 40-D023883	
	0Q1G1830 8120	SCREW(3X8) 42A9230001	
	705GN734372 CM	BEZEL ASSY 40-D023968	

	N34G0179 ZK 1B CM	REAR 40-D023965	
	0Q1G1830 8120	SCREW(3X8) 42A9230001	
	N40G0002680 7A	VW223T POP LABEL	
	N40G0002680 9A	TRY ME LABEL	
	N52G 1211007 HB	Conductive Tape 320mm *15mm *0.06mm	Main source
	N52G 1211001 HB	Conductive Tape 155mm *15mm *0.06mm	Second source
	089G176J 15N02	FFC CABLE 15P 356MM/32-D023926	Second source
	089G176J 55N02	FFC CABLE 55P 171MM/32-D023924	Main source
	KEPC8QU6	KEY BOARD 35-D023724	
	BIOS22R00101	22Z5LR0004-20080407,CHECKSUM 0XAA 0XC0	
	N52G 1VSC006 HB	Conductive Tape 60mm *24mm *0.06mm	Second source
	070GHDCP500HDC	HDCP CODE	
	N45G 88609001 DS	PE BAG	
	N45G 88606013 DS	pe bag for base	
	705GN734372 CM	BEZEL ASSY 40-D023968	
	N34G0138 ZK 1A CM	BEZEL 40-D023900	
	N34G0139 ZK 1A CM	DECORATION 40-D023878	
	N33G0062 ZK 1A		
	N33G0063 ZK 1A		

TC8MRGNKWAUSANN

Location	Part No.	Description	Remark
	N85G0024 1 WQ	Cover AD 41-D023954	
	N12G6300003 SX	RUBBER_CAP 40-D000227	
	0M1G1740 8120	SCREW FOR STD/MF 42-D020715/42-D000649	
	0M1G 330 4120	SCREW 42A9930008	
	002G6008 2	SCREW 42-D015647	
	0Q1G 330 8120	SCREW 3X8mm 42A9930017/ 42-D002093	
	0M1G1740 10120	SCREW 42A9940008	
	N52G 1VSC005	mylar 73-d0157632	
	N52G 1VSC006	Conductive Tape 60mm *24mm *0.06mm	Second source
	N52G 1211001	Conductive Tape 155mm *15mm *0.06mm	Second source
	N52G 1211007	Conductive Tape 320mm *15mm *0.06mm	Second source
	N44GC015 1 MZ	Cushion RIGHT 78-D024085	
	N44GC015 2 MZ	Cushion LEFT 78-D024087	
	N45G 52001	PE SHEET	
	P45G 77001	wrapping foil	
	080G L22N03 DE	Power board 27-D023530	Main source
	080G L22N04 C	Power board 27-D023531	Second source
	095G8014 2N01	WIRE HARNESS 2P-2P 40MM/32-D015712	
	095G8014 2N00	WIRE HARNESS 2P-2P 20MM/32-D016783	
	750GLMC0KZ512C000Q	PANEL A220Z5-H03 VSC CMO/SM0Z131D01	
	089G 728CAA DB	D-SUB CABLE	Second source
	089G1738JAA 23	D-SUB CABLE 1800mm 32F3018003	Main source
	089G402A18N YH	POWER CORD(32-D022438)	Second source
	089G402A18N IS	POWER CORD32-D022438	Main source
	089G176C 55N08	FFC Cable 55P 171MM/32-D023924	Main source
	089G176C 15N31	FFC Cable 15P 356MM/32-D023926	Second source
	017G KBN01ITC C	Key board 35-D023724	
	N40G0001680 2A	CARTON LABEL- 77-D023835	
	N40G 22N68011A	SAFETY LABEL	
	N40G0001968 2A	S/N LABEL 7741513161	
	052G 1185 49	ASUS TAPE 73-D024084	
	N44G9003 80	CORNER PAPER 78-D004868	

N44G9003178	Corner paper- 7841599161/78-D004864	
N44G6002114 98	PAPER BOARD 78-D024083	
N44GC015680 1B	CARTON- 78-D023841	
N44GC015ASU 1B	Shipping Draw- 79-D024086	
050G 600 1 W	WHITE STRAP	
N07G0006 1 HW	PALLET- 78-D020542	
N41G7800680 7B	QSG FOR VW223	
N41G780P680 3A	us warranty card non zbd	
N40G0001680 4A	S/N LABEL FOR WARRANTY CARD-77-D025155	
Q45G 76 28 RN R	PE BAG MANUAL	
Q45G 76 28V13 R	pe bag	
040G 58160811A	GREEN DOT LABEL	
N40G000268010A	WARRANTY LABEL	
052G 1186	SMALL TAPE	
040G 582680 3A	PALLET LABEL	
750GLMC0KZ572C000Q	PANEL A220Z5 CMO/SM0Z13AD01	
089G402A18NISC	POWER CORD/32-D022438	
Q85G 583605	GASKET_ALUMINIUM FOIL	
Q85G 583603	GASKET_ALUMINIUM FOIL	
EDIDASU22D002	CHECKSUM 0XAF	
EDIDASU22A002	CHECKSUM,0X0F	
089G1748HAA AD	DVI CABLE	
089G 173 56N03	AUDIO CABLE 1.8M	
089G 728HAA DB	D-SUB CABLE	
N52G 1211007 HB	Conductive Tape 320mm *15mm *0.06mm	Main source
N52G 1211001 HB	Conductive Tape 155mm *15mm *0.06mm	Main source
089G176J 15N02	FFC CABLE 15P 356MM/32-D023926	Main source
089G176J 55N02	FFC CABLE 55P 171MM/32-D023924	Second source
KEPC8QU6	KEY BOARD 35-D023724	
BIOS22R00101	22Z5LR0004-20080407,CHECKSUM 0XAA 0XC0	
017G MBN3UUSIC000	MB 35-D023625/BIOS 22R00101/004080407	
N52G 1VSC006 HB	Conductive Tape 60mm *24mm *0.06mm	
070GHDCP500HDC	HDCP CODE	
N45G 88609001 DS	PE BAG	
078G 516N00 KR	SPK 8OHM 1W 80*17*10(right)	
078G 516N00 KL	SPK 8OHM 1W 80*17*10(left)	
N34G0136 ZK 1A CM	STAND_FRONT 40-D023886	
N34G0137 ZK 1A CM	STAND_BACK 40-D023881	
N37G0026 1	HINGE ASSY 41-D023880	
0Q1G 130 8120	SCREW 42A9930011	
N33G0060 ZK 1A	CABLETIDY 40-D023883	
0Q1G1830 8120	SCREW(3X8) 42A9230001	
N34G0135 ZK 1B CM	SEAT	
N15G0031 1	SEAT-PLATE 41-D023879	
0Q1G 130 8120	SCREW 42A9930011	
N12G6300002 SX	RUBBER 40A1769201	
N45G 88606012 DS	pe bag for base	
N12G6300003 SX	RUBBER_CAP 40-D000227	
0Q1G1830 8120	SCREW(3X8) 42A9230001	
N34G0140 ZK 1B CM	REARCOVER	
N40G0002680 7A	VW223T POP LABEL	
N40G0002680 9A	TRY ME LABEL	
705GN834432 CM	BEZEL ASSY 40-D023968	
705GN834432 CM	BEZEL ASSY 40-D023968	

	N34G0138 ZKD1B CM	BEZEL	
	N34G0139 ZK 1B CM	DECORATION	40-D023878
	N33G0062 ZK 1B	KEYPAD	
	N33G0063 ZK 1B	LENS	
	N23G3178715 1A BT	AUSU NAME LOGO	

TC8MRGNBWAUS8NN

Location	Part No.	Description	Remark
	N85G0024 1 WQ	Cover AD 41-D023954	
	N12G6300003 SX	RUBBER_CAP 40-D000227	
	0M1G1740 8120	SCREW FOR STD/MF 42-D020715/42-D000649	
	0M1G 330 4120	SCREW 42A9930008	
	002G6008 2	SCREW 42-D015647	
	0M1G1740 10120	SCREW 42A9940008	
	N52G 1VSC005	mylar 73-d0157632	
	N52G 1VSC006	Conductive Tape 60mm *24mm *0.06mm	
	N52G 1211001	Conductive Tape 155mm *15mm *0.06mm	
	N52G 1211007	Conductive Tape 320mm *15mm *0.06mm	
	N44GC015 1 MZ	Cushion RIGHT 78-D024085	
	N44GC015 2 MZ	Cushion LEFT 78-D024087	
	N45G 52001	PE SHEET	
	P45G 77001	wrapping foil	
	080G L22N03 DE	Power board 27-D023530	Main source
	080G L22N04 C	Power board 27-D023531	Second source
	095G8014 2N01	WIRE HARNESS 2P-2P 40MM/32-D015712	
	095G8014 2N00	WIRE HARNESS 2P-2P 20MM/32-D016783	
	017G MBN3UUSIC000	MB 35-D023625/BIOS 22R00101/004080407	
	089G 728CAA DB	D-SUB CABLE	
	089G1738JAA 23	D-SUB CABLE 1800mm 32F3018003	Main source
	089G404A18N YH	POWER CORD(32E1818018/32-D022217)	
	089G404A18N IS	POWER CORD/ 32E1818018	
	089G176C 55N08	FFC Cable 55P 171MM/32-D023924	Main source
	089G176C 15N31	FFC Cable 15P 356MM/32-D023926	Second source
	017G KBN01ITC C	Key board 35-D023724	
	N40G 22N68012A	SAFETY LABEL	
	N40G0001680 7A	CARTON LABEL FOR SKD	
	052G 1185 49	ASUS TAPE 73-D024084	
	N44G6002114 98	PAPER BOARD 78-D024083	
	N44GC015680 1B	CARTON- 78-D023841	
	N44GC015ASU 1B	Shipping Draw- 79-D024086	
	050G 600 1 W	WHITE STRAP	
	N07G0006 1 HW	PALLET- 78-D020542	
	N41G7800680 7B	QSG FOR VW223	
	N41G780P680 2A	eu warranty card non zbd	
	N40G0001680 4A	S/N LABEL FOR WARRANTY CARD- 77-D025155	
	Q45G 76 28 RN R	PE BAG MANUAL	
	Q45G 76 28V13 R	pe bag	
	040G 58160811A	GREEN DOT LABEL	
	N40G000268010A	WARRANTY LABEL	
	052G 1186	SMALL TAPE	
	040G 582680 3A	PALLET LABEL	
	089G 173 56N03	AUDIO CABLE 1.8M	
	089G1748HAA AD	DVI CABLE	
	Q85G 583605	GASKET_ALUMINIUM FOIL	

	Q85G 583603	GASKET_ALUMINIUM FOIL	
	089G404A18NISC	POWER CORD 32E1818018	
	N52G 1VSC009 MY	TAPE	
	EDIDASU22D002	CHECKSUM 0XAF	
	EDIDASU22A002	CHECKSUM,0X0F	
	N44G6000 1 2A	SKD CARTON FOR BEZEL	
	N44G6000 1 3A	SKD CARTON FOR REAR	
	N44G6000 1 4A	SKD CARTON FOR STAND	
	N44G6000 1 5A	SKD CARTON FOR SEAT	
	N44G9003185	CORNER PAPER 7841595111/78-D004862	
	N44G9003 90	CORNER PAPER 7841795141	
	0Q1G 330 8120	SCREW 3X8mm 42A9930017/ 42-D002093	
	N45G 88606008 DS	22 skd bag EPE600*500	
	N45G 88607016 DS	PE BAG	
	N45G 88606009 DS	22 skd bag EPE 250*340	
	0M1G 140 6120	SCREW M4X6	
	N52G 1ASU012 HY	Tape- 73-D001327(82296 x48 x0.045 mm)	
	089G 728HAA DB	D-SUB CABLE	
	N52G 1211007 HB	Conductive Tape 320mm *15mm *0.06mm	
	N52G 1211001 HB	Conductive Tape 155mm *15mm *0.06mm	
	089G176J 15N02	FFC CABLE 15P 356MM/32-D023926	
	089G176J 55N02	FFC CABLE 55P 171MM/32-D023924	
	KEPC8QU6	KEY BOARD 35-D023724	
	BIOS22R00101	22Z5LR0004-20080407,CHECKSUM 0XAA 0XC0	
	N52G 1VSC006 HB	Conductive Tape 60mm *24mm *0.06mm	
	070GHDCP500HDC	HDCP CODE	
	N45G 88609001 DS	PE BAG	
	078G 516N00 KL	SPK 8OHM 1W 80*17*10(left)	
	078G 516N00 KR	SPK 8OHM 1W 80*17*10(right)	
	N34G0136 ZK 1A CM	STAND_FRONT 40-D023886	
	N34G0137 ZK 1A CM	STAND_BACK 40-D023881	
	0Q1G 130 8120	SCREW 42A9930011	
	N37G0026 1	HINGE ASSY 41-D023880	
	N33G0060 ZK 1A	CABLETIDY 40-D023883	
	0Q1G1830 8120	SCREW(3X8) 42A9230001	
	N34G0135 ZK 1B CM	SEAT	
	N15G0031 1	SEAT-PLATE 41-D023879	
	0Q1G 130 8120	SCREW 42A9930011	
	N12G6300002 SX	RUBBER 40A1769201	
	N45G 88606012 DS	pe bag for base	
	N34G0140 ZK 1B CM	REARCOVER	
	0Q1G1830 8120	SCREW(3X8) 42A9230001	
	N12G6300003 SX	RUBBER_CAP 40-D000227	
	N40G0002680 9A	TRY ME LABEL	
	N40G0002680 7A	VW223T POP LABEL	
	705GN834432 CM	BEZEL ASSY 40-D023968	
	705GN834432 CM	BEZEL ASSY 40-D023968	
	N34G0138 ZKD1B CM	BEZEL	
	N34G0139 ZK 1B CM	DECORATION 40-D023878	
	N33G0062 ZK 1B	KEYPAD	
	N33G0063 ZK 1B	LENS	
	N23G3178715 1A BT	AUSU NAME LOGO	

TC8MRGNBWAUSANN

Location	Part No.	Description	Remark
----------	----------	-------------	--------

	N85G0024	1	WQ	Cover AD 41-D023954	
	N12G6300003		SX	RUBBER_CAP 40-D000227	
	0M1G1740	8120		SCREW FOR STD/MF 42-D020715/42-D000649	
	0M1G 330	4120		SCREW 42A9930008	
	002G6008	2		SCREW 42-D015647	
	0Q1G 330	8120		SCREW 3X8mm 42A9930017/ 42-D002093	
	0M1G1740	10120		SCREW 42A9940008	
	N52G	1VSC005		mylar 73-d0157632	
	N52G	1VSC006		Conductive Tape 60mm *24mm *0.06mm	Second source
	N52G	1211001		Conductive Tape 155mm *15mm *0.06mm	Second source
	N52G	1211007		Conductive Tape 320mm *15mm *0.06mm	Second source
	N44GC015	1	MZ	Cushion RIGHT 78-D024085	
	N44GC015	2	MZ	Cushion LEFT 78-D024087	
	N45G	52001		PE SHEET	
	P45G	77001		wrapping foil	
	080G L22N03	DE		Power board 27-D023530	Main source
	080G L22N04	C		Power board 27-D023531	Second source
	095G8014	2N01		WIRE HARNESS 2P-2P 40MM/32-D015712	
	095G8014	2N00		WIRE HARNESS 2P-2P 20MM/32-D016783	
	017G MBN3UUSIC000			MB 35-D023625/BIOS 22R00101/004080407	
	750GLMC0KZ512C000Q			PANEL A220Z5-H03 VSC CMO/SM0Z131D01	
	089G 728CAA	DB		D-SUB CABLE	
	089G1738JAA	23		D-SUB CABLE 1800mm 32F3018003	Main source
	089G404A18N	YH		POWER CORD(32E1818018/32-D022217)	
	089G404A18N	IS		POWER CORD 32E1818018	
	089G176C	55N08		FFC Cable 55P 171MM/32-D023924	Main source
	089G176C	15N31		FFC Cable 15P 356MM/32-D023926	Second source
	089G1748JAA	600		DVI Cable 1800mm / 32F0000004	
	089G1748SAAA	01		DVI CORD 32-D013540	
	089G 173 56	46		AUDIO CABLE 1800mm 32F2818004	Main source
	089G 173 56	600		AUDIO CABLE 1.8M 32F2818011	
	017G KBN01ITC	C		Key board 35-D023724	
	N40G 22N680	1A		SAFETY LABEL- 77-D023840	
	N40G0001680	2A		CARTON LABEL- 77-D023835	
	N40G0001968	2A		S/N LABEL 7741513161	
	N40G0001680	3A		S/N LABEL- 7741519181	
	052G	1185 49		ASUS TAPE 73-D024084	
	N44G9003	80		CORNER PAPER 78-D004868	
	N44G9003	178		Corner paper- 7841599161/78-D004864	
	N44G6002	114 98		PAPER BOARD 78-D024083	
	N44GC015680	1B		CARTON- 78-D023841	
	N44GC015ASU	1B		Shipping Draw- 79-D024086	
	050G 600	1 W		WHITE STRAP	
	N07G0006	1	HW	PALLET- 78-D020542	
	N41G7800680	7B		QSG FOR VW223	
	N41G780P680	2A		eu warranty card non zbd	
	N40G0001680	4A		S/N LABEL FOR WARRANTY CARD- 77-D025155	
	Q45G 76 28	RN R		PE BAG MANUAL	
	Q45G 76 28	V13 R		pe bag	
	040G 581608	11A		GREEN DOT LABEL	
	N40G0002680	10A		WARRANTY LABEL	
	052G	1186		SMALL TAPE	
	040G 582680	3A		PALLET LABEL	
	750GLMC0KZ572C000Q			PANEL A220Z5 CMO/SM0Z13AD01	

	Q85G 583605		GASKET_ALUMINIUM FOIL	
	Q85G 583603		GASKET_ALUMINIUM FOIL	
	EDIDASU22D002		CHECKSUM 0XAF	
	EDIDASU22A002		CHECKSUM,0X0F	
	089G 728HAA DB		D-SUB CABLE	
	089G1748HAA AC		DVI CABLE	
	N52G 1211007 HB		Conductive Tape 320mm *15mm *0.06mm	Main source
	N52G 1211001 HB		Conductive Tape 155mm *15mm *0.06mm	Main source
	089G176J 15N02		FFC CABLE 15P 356MM/32-D023926	Second source
	089G176J 55N02		FFC CABLE 55P 171MM/32-D023924	Main source
	KEPC8QU6		KEY BOARD 35-D023724	
	BIOS22R00101		22Z5LR0004-20080407,CHECKSUM 0XAA 0XC0	
	N52G 1VSC006 HB		Conductive Tape 60mm *24mm *0.06mm	
	070GHDCP500HDC		HDCP CODE	
	N45G 88609001 DS		PE BAG	
	078G 516N00 KR		SPK 8OHM 1W 80*17*10(right)	
	078G 516N00 KL		SPK 8OHM 1W 80*17*10(left)	
	N34G0136 ZK 1A CM		STAND_FRONT 40-D023886	
	N34G0137 ZK 1A CM		STAND_BACK 40-D023881	
	0Q1G 130 8120		SCREW 42A9930011	
	N37G0026 1		HINGE ASSY 41-D023880	
	N33G0060 ZK 1A		CABLETIDY 40-D023883	
	0Q1G1830 8120		SCREW(3X8) 42A9230001	
	N34G0135 ZK 1B CM		SEAT	
	N15G0031 1		SEAT-PLATE 41-D023879	
	0Q1G 130 8120		SCREW 42A9930011	
	N12G6300002 SX		RUBBER 40A1769201	
	N45G 88606012 DS		pe bag for base	
	N34G0140 ZK 1B CM		REARCOVER	
	0Q1G1830 8120		SCREW(3X8) 42A9230001	
	N12G6300003 SX		RUBBER_CAP 40-D000227	
	N40G0002680 7A		VW223T POP LABEL	
	N40G0002680 9A		TRY ME LABEL	
	705GN834432 CM		BEZEL ASSY 40-D023968	
	705GN834432 CM		BEZEL ASSY 40-D023968	
	N34G0138 ZKD1B CM		BEZEL	
	N34G0139 ZK 1B CM		DECORATION 40-D023878	
	N33G0062 ZK 1B		KEYPAD	
	N33G0063 ZK 1B		LENS	
	N23G3178715 1A BT		AUSU NAME LOGO	

TC8MRGNBWAUSANN

Location	Part No.	Description	Remark
	N85G0024 1 WQ	Cover AD 41-D023954	
	N12G6300003 SX	RUBBER_CAP 40-D000227	
	0M1G1740 8120	SCREW FOR STD/MF 42-D020715/42-D000649	
	0M1G 330 4120	SCREW 42A9930008	
	002G6008 2	SCREW 42-D015647	
	0Q1G 330 8120	SCREW 3X8mm 42A9930017/ 42-D002093	
	0M1G1740 10120	SCREW 42A9940008	
	N52G 1VSC005	mylar 73-d0157632	
	N52G 1VSC006	Conductive Tape 60mm *24mm *0.06mm	Second source
	N52G 1211001	Conductive Tape 155mm *15mm *0.06mm	Second source
	N52G 1211007	Conductive Tape 320mm *15mm *0.06mm	Second source

	N44GC015	1	MZ	Cushion RIGHT 78-D024085	
	N44GC015	2	MZ	Cushion LEFT 78-D024087	
	N45G	52001		PE SHEET	
	P45G	77001		wrapping foil	
	080G	L22N03	DE	Power board 27-D023530	
	080G	L22N04	C	Power board 27-D023531	
	095G8014	2N01		WIRE HARNESS 2P-2P 40MM/32-D015712	
	095G8014	2N00		WIRE HARNESS 2P-2P 20MM/32-D016783	
	017G	MBN3UUSIC000		MB 35-D023625/BIOS 22R00101/004080407	
	750GLMC0KZ512C000Q			PANEL A220Z5-H03 VSC CMO/SM0Z131D01	
	089G	728CAA	DB	D-SUB CABLE	
	089G1738JAA	23		D-SUB CABLE 1800mm 32F3018003	
	089G404A18N	YH		POWER CORD(32E1818018/32-D022217)	Main source
	089G404A18N	IS		POWER CORD 32E1818018	
	089G176C	55N08		FFC Cable 55P 171MM/32-D023924	Main source
	089G176C	15N31		FFC Cable 15P 356MM/32-D023926	Second source
	089G1748JAA	600		DVI Cable 1800mm / 32F0000004	
	089G1748SAAA	01		DVI CORD 32-D013540	
	089G	173 56 46		AUDIO CABLE 1800mm 32F2818004	Main source
	089G	173 56600		AUDIO CABLE 1.8M 32F2818011	
	017G	KBN01ITC	C	Key board 35-D023724	
	N40G	22N680	1A	SAFETY LABEL- 77-D023840	
	N40G0001680	2A		CARTON LABEL- 77-D023835	
	N40G0001968	2A		S/N LABEL 7741513161	
	N40G0001680	3A		S/N LABEL- 7741519181	
	052G	1185 49		ASUS TAPE 73-D024084	
	N44G9003	80		CORNER PAPER 78-D004868	
	N44G9003178			Corner paper- 7841599161/78-D004864	
	N44G6002114	98		PAPER BOARD 78-D024083	
	N44GC015680	1B		CARTON- 78-D023841	
	N44GC015ASU	1B		Shipping Draw- 79-D024086	
	050G	600	1 W	WHITE STRAP	
	N07G0006	1	HW	PALLET- 78-D020542	
	N41G7800680	7B		QSG FOR VW223	
	N41G780P680	2A		eu warranty card non zbd	
	N40G0001680	4A		S/N LABEL FOR WARRANTY CARD-77-D025155	
	Q45G	76 28 RN	R	PE BAG MANUAL	
	Q45G	76 28V13	R	pe bag	
	040G	58160811A		GREEN DOT LABEL	
	N40G000268010A			WARRANTY LABEL	
	052G	1186		SMALL TAPE	
	040G	582680	3A	PALLET LABEL	
	750GLMC0KZ572C000Q			PANEL A220Z5 CMO/SM0Z13AD01	
	Q85G	583605		GASKET_ALUMINIUM FOIL	
	Q85G	583603		GASKET_ALUMINIUM FOIL	
	EDIDASU22D002			CHECKSUM 0XAF	
	EDIDASU22A002			CHECKSUM,0X0F	
	089G	728HAA	DB	D-SUB CABLE	
	089G1748HAA	AC		DVI CABLE	
	N52G	1211007	HB	Conductive Tape 320mm *15mm *0.06mm(单 导)	
	N52G	1211001	HB	Conductive Tape 155mm *15mm *0.06mm	
	089G176J	15N02		FFC CABLE 15P 356MM/32-D023926	Second source
	089G176J	55N02		FFC CABLE 55P 171MM/32-D023924	Main source
	KEPC8QU6			KEY BOARD 35-D023724	

	BIOS22R00101	22Z5LR0004-20080407,CHECKSUM 0XAA 0XC0	
	N52G 1VSC006 HB	Conductive Tape 60mm *24mm *0.06mm	
	070GHDCP500HDC	HDCP CODE	
	N45G 88609001 DS	PE BAG	
	078G 516N00 KR	SPK 8OHM 1W 80*17*10(right)	
	078G 516N00 KL	SPK 8OHM 1W 80*17*10(left)	
	N34G0136 ZK 1A CM	STAND_FRONT 40-D023886	
	N34G0137 ZK 1A CM	STAND_BACK 40-D023881	
	0Q1G 130 8120	SCREW 42A9930011	
	N37G0026 1	HINGE ASSY 41-D023880	
	N33G0060 ZK 1A	CABLETIDY 40-D023883	
	0Q1G1830 8120	SCREW(3X8) 42A9230001	
	N34G0135 ZK 1B CM	SEAT	
	N15G0031 1	SEAT-PLATE 41-D023879	
	0Q1G 130 8120	SCREW 42A9930011	
	N12G6300002 SX	RUBBER 40A1769201	
	N45G 88606012 DS	pe bag for base	
	N34G0140 ZK 1B CM	REARCOVER	
	0Q1G1830 8120	SCREW(3X8) 42A9230001	
	N12G6300003 SX	RUBBER_CAP 40-D000227	
	N40G0002680 7A	VW223T POP LABEL	
	N40G0002680 9A	TRY ME LABEL	
	705GN834432 CM	BEZEL ASSY 40-D023968	
	705GN834432 CM	BEZEL ASSY 40-D023968	
	N34G0138 ZKD1B CM	BEZEL	
	N34G0139 ZK 1B CM	DECORATION 40-D023878	
	N33G0062 ZK 1B	KEYPAD	
	N33G0063 ZK 1B	LENS	
	N23G3178715 1A BT	AUSU NAME LOGO	

TC8MRGNKWAUSAN2

Location	Part No.	Description	Remark
	N85G0024 1 WQ	Cover AD 41-D023954	
	N12G6300003 SX	RUBBER_CAP 40-D000227	
	0M1G1740 8120	SCREW FOR STD/MF 42-D020715/42-D000649	
	0M1G 330 4120	SCREW 42A9930008	
	002G6008 2	SCREW 42-D015647	
	0Q1G 330 8120	SCREW 3X8mm 42A9930017/ 42-D002093	
	0M1G1740 10120	SCREW 42A9940008	
	N52G 1VSC005	mylar 73-d0157632	
	N52G 1VSC006	Conductive Tape 60mm *24mm *0.06mm	Second source
	N52G 1211001	Conductive Tape 155mm *15mm *0.06mm	Second source
	N52G 1211007	Conductive Tape 320mm *15mm *0.06mm	Second source
	N44GC015 1 MZ	Cushion RIGHT 78-D024085	
	N44GC015 2 MZ	Cushion LEFT 78-D024087	
	N45G 52001	PE SHEET	
	P45G 77001	wrapping foil	
	095G8014 2N01	WIRE HARNESS 2P-2P 40MM/32-D015712	
	095G8014 2N00	WIRE HARNESS 2P-2P 20MM/32-D016783	
	750GLMC0KZ512C000Q	PANEL A220Z5-H03 VSC CMO/SM0Z131D01	
	089G 728CAA DB	D-SUB CABLE	
	089G1738JAA 23	D-SUB CABLE 1800mm 32F3018003	
	089G402A18N YH	POWER CORD(32-D022438)	
	089G402A18N IS	POWER CORD32-D022438	Main source

	089G176C 55N08	FFC Cable 55P 171MM/32-D023924	Main source
	089G176C 15N31	FFC Cable 15P 356MM/32-D023926	Second source
	N40G0001680 2A	CARTON LABEL- 77-D023835	
	N40G0001968 2A	S/N LABEL 7741513161	
	052G 1185 49	ASUS TAPE 73-D024084	
	N44G9003 80	CORNER PAPER 78-D004868	
	N44G9003178	Corner paper- 7841599161/78-D004864	
	N44G6002114 98	PAPER BOARD 78-D024083	
	N44GC015680 1B	CARTON- 78-D023841	
	N44GC015ASU 1B	Shipping Draw- 79-D024086	
	050G 600 1 W	WHITE STRAP	
	N07G0006 1 HW	PALLET- 78-D020542	
	040G 58160811A	GREEN DOT LABEL	
	N40G000268010A	WARRANTY LABEL	
	052G 1186	SMALL TAPE	
	040G 582680 3A	PALLET LABEL	
	750GLMC0KZ572C000Q	PANEL A220Z5 CMO/SM0Z13AD01	
	089G402A18NISC	POWER CORD/32-D022438	
	Q85G 583605	GASKET_ALUMINIUM FOIL	
	Q85G 583603	GASKET_ALUMINIUM FOIL	
	EDIDASU22D002	CHECKSUM 0XAF	
	EDIDASU22A002	CHECKSUM,0X0F	
	089G1748HAA AD	DVI CABLE	
	089G 173 56N03	AUDIO CABLE 1.8M	
	CBPCRRLVSS4	CONVERSION BAORD	
	KEPC8QU6	KEY BOARD 35-D023724	
	080G L19 7HIB	POWER BOARD	
	N40G0002680 9A	TRY ME LABEL	
	N40G0002680 7A	VW223T POP LABEL	
	078G 516N00 D	SPK 8OHM 1W 80*17*10	
	078G 477N00 Y	SPK 8OHM 1W 54X17mm	
	N52G 1211007 HB	Conductive Tape 320mm *15mm *0.06mm	Main source
	N52G 1211001 HB	Conductive Tape 155mm *15mm *0.06mm	Main source
	089G176J 15N02	FFC CABLE 15P 356MM/32-D023926	
	089G176J 55N02	FFC CABLE 55P 171MM/32-D023924	
	705GN834432 CM	BEZEL ASSY 40-D023968	
	N52G 1VSC006 HB	Conductive Tape 60mm *24mm *0.06mm	
	N45G 88609001 DS	PE BAG	
	078G 516N00 KR	SPK 8OHM 1W 80*17*10(right)	
	078G 516N00 KL	SPK 8OHM 1W 80*17*10(left)	
	N34G0136 ZK 1A CM	STAND_FRONT 40-D023886	
	N34G0137 ZK 1A CM	STAND_BACK 40-D023881	
	0Q1G 130 8120	SCREW 42A9930011	
	N37G0026 1	HINGE ASSY 41-D023880	
	N33G0060 ZK 1A	CABLETIDY 40-D023883	
	0Q1G1830 8120	SCREW(3X8) 42A9230001	
	N34G0135 ZK 1B CM	SEAT	
	N15G0031 1	SEAT-PLATE 41-D023879	
	0Q1G 130 8120	SCREW 42A9930011	
	N12G6300002 SX	RUBBER 40A1769201	
	N45G 88606012 DS	pe bag for base	
	N34G0140 ZK 1B CM	REARCOVER	
	0Q1G1830 8120	SCREW(3X8) 42A9230001	
	N12G6300003 SX	RUBBER_CAP 40-D000227	
	705GN834432 CM	BEZEL ASSY 40-D023968	
	N34G0138 ZKD1B CM	BEZEL	

	N34G0139 ZK 1B CM	DECORATION	40-D023878	
	N33G0062 ZK 1B	KEYPAD		
	N33G0063 ZK 1B	LENS		
	N23G3178715 1A BT	AUSU NAME LOGO		

VW223B

TC8MRLNDWAUSAZN

Location	Part No.	Description	Remark
	N85G0029 1 WQ	Cover AD,41-D023956	
	N12G6300003 JX	RUBBER_CAP 40-D000227	
	0M1G1740 8120	SCREW FOR STD/MF 42-D020715/42-D000649	
	0M1G 330 4120	SCREW 42A9930008	
	002G6008 2	SCREW 42-D015647	
	0Q1G 330 8120	SCREW 3X8mm 42A9930017/ 42-D002093	
	0M1G1740 10120	SCREW 42A9940008	
	N52G 1VSC005	mylar 73-d0157632	
	N52G 1VSC006	Conductive Tape 60mm *24mm *0.06mm	Second source
	N52G 1211001	Conductive Tape 155mm *15mm *0.06mm	Second source
	N52G 1211007	Conductive Tape 320mm *15mm *0.06mm	Second source
	N44GC015 1 MZ	Cushion RIGHT 78-D024085	
	N44GC015 2 MZ	Cushion LEFT 78-D024087	
	N45G 52001	PE SHEET	
	P45G 77001	wrapping foil	
	095G8014 2N01	WIRE HARNESS 2P-2P 40MM/32-D015712	
	750GLMC0KZ512C000Q	PANEL A220Z5-H03 VSC CMO/SM0Z131D01	
	089G 728CAA DB	D-SUB CABLE	
	089G1738JAA 23	D-SUB CABLE 1800mm 32F3018003	Main source
	089G414A18N YH	POWER CORD(32E1818021)	
	089G414A18NIS6	POWER CORD 32E1818021	
	017G KBN01ITC C	Key board 35-D023724	
	N40G0001680 5A	manufactory label	
	N40G0001680 6A	CARTON LABEL	
	040G 58160811A	GREEN DOT LABEL	
	N40G 22N680 5A	SAFETY LABEL	
	N40G0001968 2A	S/N LABEL 7741513161	
	N40G000268010A	WARRANTY LABEL	
	N40G0001680 3A	S/N LABEL- 7741519181	
	052G 1185 49	ASUS TAPE 73-D024084	
	N44G9003 80	CORNER PAPER 78-D004868	
	N44G9003178	Corner paper- 7841599161/78-D004864	
	N44G6002114 98	PAPER BOARD 78-D024083	
	N44GC015680 1B	CARTON- 78-D023841	
	N44GC015ASU 1B	Shipping Draw- 79-D024086	
	050G 600 1 W	WHITE STRAP	
	N07G0006 1 HW	PALLET- 78-D020542	
	N41G7800680 7B	QSG FOR VW223	
	N41G780P680 1A	CHINA WARRANTY CARD ZBD	
	N85G0030 1 WQ	Cover AD,41-D024344	
	N52G 1211003	Conductive Tape 50mm *24mm *0.06mm	
	N70G2202680 1B	CD-ROM 76-D023837	
	080G L22N00 C	Power board 27-D022368	
	017G USBN02USIC000	USB 35-D024558/10-D024349/000X	
	089G 175N01	USB CABLE/32-D015971	
	089G176C 15N34	FFC Cable 15P 484MM/32-D023923	
	089G176C 55N09	FFC Cable 55P 162MM/32-D023925	

	095G8018 5N00	WIRE HARNESS 5P-5P/32-D024359	
	N40G0001680 4A	S/N LABEL FOR WARRANTY CARD- 77-D025155	
	Q45G 76 28 RN R	PE BAG MANUAL	
	Q45G 76 28V13 R	pe bag	
	052G 1186	SMALL TAPE	
	040G 582680 3A	PALLET LABEL	
	089G414A18NISC	POWER CORD 32E1818021	
	750GLMC0KZ572C000Q	PANEL A220Z5 CMO/SM0Z13AD01	
	EDIDASU22A002	CHECKSUM,0X0F	
	N40G0002680 3A	CHINA LABEL	
	N85G 583500	Gasket 73-D025533 52mm*13mm*3mm	
	N85G 583501	Gasket 73-D025534 15mm*10mm*0.5mm	
	N85G 583502	Gasket 73-D025532 12mm*12mm*12mm	
	017G MBN3XUSIC000	MB 35-D024227/BIOS 22R00500/002080401	
	BIOS22R00500	22Z5UR3002_20080815,checksum 9B,8D	
	089G 728HAA DB	D-SUB CABLE	
	N34G0135 ZK 1A CM	SEAT	
	N15G0031 1	SEAT-PLATE 41-D023879	
	0Q1G 130 8120	SCREW 42A9930011	
	N12G6300002 SX	RUBBER 40A1769201	
	N34G0136 ZK 1A CM	STAND_FRONT 40-D023886	
	N34G0137 ZK 1A CM	STAND_BACK 40-D023881	
	0Q1G 140 10120	SCREW	
	N37G0026 1 CX	HINGE	
	N33G0060 ZK 1A	CABLETIDY 40-D023883	
	0Q1G1830 8120	SCREW(3X8) 42A9230001	
	705GN734371 CM	BEZEL ASSY 40-D023964	
	N34G0177 ZK 1B CM	REAR 40-D023962	
	N40G0002680 8A	VW223B POP LABEL	
	N40G0002680 9A	TRY ME LABEL	
	N40G000268013A	EZ LINK LABEL	
	N52G 1211007 HB	Conductive Tape 320mm *15mm *0.06mm	Main source
	N52G 1211003 HB	Conductive Tape 50mm *24mm *0.06mm	Main source
	N52G 1211001 HB	Conductive Tape 155mm *15mm *0.06mm	Main source
	KEPC8QU6	KEY BOARD 35-D023724	
	089G 175523 G	USB CABLE 1.8M	
	BIOS22U00100	CHIMEI-VW223B-018A-0004	
	N52G 1VSC006 HB	Conductive Tape 60mm *24mm *0.06mm	
	N45G 88609001 DS	PE BAG	
	N45G 88606013 DS	pe bag for base	
	705GN734371 CM	BEZEL ASSY 40-D023964	
	N34G0138 ZKA1B CM	BEZEL 40-D023900	
	N34G0139 ZK 1B CM	DECORATION 40-D023878	
	N33G0062 ZK 1B	KEYPAD	
	N33G0063 ZK 1B	LENS	
	N23G3178715 1A BT	AUSU NAME LOGO	

TC8MRLDBWAUSNNN

Location	Part No.	Description	Remark
	N85G0029 1 WQ	Cover AD,41-D023956	
	N12G6300003 JX	RUBBER_CAP 40-D000227	
	0M1G1740 8120	SCREW FOR STD/MF 42-D020715/42-D000649	
	0M1G 330 4120	SCREW 42A9930008	
	002G6008 2	SCREW 42-D015647	
	0Q1G 330 8120	SCREW 3X8mm 42A9930017/ 42-D002093	
	0M1G1740 10120	SCREW 42A9940008	

	N52G 1VSC005	mylar 73-d0157632	
	N52G 1VSC006	Conductive Tape 60mm *24mm *0.06mm	Second source
	N52G 1211001	Conductive Tape 155mm *15mm *0.06mm	Second source
	N52G 1211007	Conductive Tape 320mm *15mm *0.06mm	Second source
	N44GC015 1 MZ	Cushion RIGHT 78-D024085	
	N44GC015 2 MZ	Cushion LEFT 78-D024087	
	N45G 52001	PE SHEET	
	P45G 77001	wrapping foil	
	095G8014 2N01	WIRE HARNESS 2P-2P 40MM/32-D015712	
	750GLMC0KZ512C000Q	PANEL A220Z5-H03 VSC CMO/SM0Z131D01	
	089G 728CAA DB	D-SUB CABLE	
	089G1738JAA 23	D-SUB CABLE 1800mm 32F3018003	Main source
	089G404A18N YH	POWER CORD(32E1818018/32-D022217)	Main source
	089G404A18N IS	POWER CORD 32E1818018	
	017G KBN01ITC C	Key board 35-D023724	
	040G 582680 3A	PALLET LABEL	
	N40G0001680 6A	CARTON LABEL	
	040G 58160811A	GREEN DOT LABEL	
	N40G 22N680 2A	SAFETY LABEL- 77-D024422	
	N40G0001968 2A	S/N LABEL 7741513161	
	N40G000268010A	WARRANTY LABEL	
	N40G0001680 3A	S/N LABEL- 7741519181	
	052G 1185 49	ASUS TAPE 73-D024084	
	N44G9003 80	CORNER PAPER 78-D004868	
	N44G9003178	Corner paper- 7841599161/78-D004864	
	N44G6002114 98	PAPER BOARD 78-D024083	
	N44GC015680 1B	CARTON- 78-D023841	
	N44GC015ASU 1B	Shipping Draw- 79-D024086	
	050G 600 1 W	WHITE STRAP	
	N07G0006 1 HW	PALLET- 78-D020542	
	N41G7800680 7B	QSG FOR VW223	
	N41G780P680 2A	eu warranty card non zbd	
	N85G0030 1 WQ	Cover AD,41-D024344	
	N52G 1211003	Conductive Tape 50mm *24mm *0.06mm	
	N70G2202680 1B	CD-ROM 76-D023837	
	080G L22N00 C	Power board 27-D022368	
	017G USBN02USIC000	USB 35-D024558/10-D024349/000X	
	089G 175N01	USB CABLE/32-D015971	
	089G176C 15N34	FFC Cable 15P 484MM/32-D023923	Main source
	089G176C 55N09	FFC Cable 55P 162MM/32-D023925	Second source
	095G8018 5N00	WIRE HARNESS 5P-5P/32-D024359	
	N40G0001680 4A	S/N LABEL FOR WARRANTY CARD- 77-D025155	
	Q45G 76 28 RN R	PE BAG MANUAL	
	Q45G 76 28V13 R	pe bag	
	052G 1186	SMALL TAPE	
	089G404A18NISC	POWER CORD 32E1818018	
	750GLMC0KZ572C000Q	PANEL A220Z5 CMO/SM0Z13AD01	
	N85G 583500	Gasket 73-D025533 52mm*13mm*3mm	
	N85G 583501	Gasket 73-D025534 15mm*10mm*0.5mm	
	N85G 583502	Gasket 73-D025532 12mm*12mm*12mm	
	EDIDASU22A002	CHECKSUM,0X0F	
	017G MBN3XUSIC000	MB 35-D024227/BIOS 22R00500/002080401	
	BIOS22R00500	22Z5UR3002_20080815,checksum 9B,8D	
	089G 728HAA DB	D-SUB CABLE	
	N34G0135 ZK 1A CM	SEAT	
	N15G0031 1	SEAT-PLATE 41-D023879	

	0Q1G 130 8120		SCREW 42A9930011	
	N12G6300002	SX	RUBBER 40A1769201	
	N34G0136 ZK 1A	CM	STAND_FRONT 40-D023886	
	N34G0137 ZK 1A	CM	STAND_BACK 40-D023881	
	0Q1G 140 10120		SCREW	
	N37G0026	1 CX	HINGE	
	N33G0060 ZK 1A		CABLETIDY 40-D023883	
	0Q1G1830 8120		SCREW(3X8) 42A9230001	
	705GN734371	CM	BEZEL ASSY 40-D023964	
	N34G0177 ZK 1B	CM	REAR 40-D023962	
	N40G0002680 8A		VW223B POP LABEL	
	N40G0002680 9A		TRY ME LABEL	
	N40G000268013A		EZ LINK LABEL	
	N52G 1211007	HB	Conductive Tape 320mm *15mm *0.06mm	Main source
	N52G 1211003	HB	Conductive Tape 50mm *24mm *0.06mm	Main source
	N52G 1211001	HB	Conductive Tape 155mm *15mm *0.06mm	Main source
	KEPC8QU6		KEY BOARD 35-D023724	
	089G 175523	G	USB CABLE 1.8M	
	BIOS22U00100		CHIMEI-VW223B-018A-0004	
	N52G 1VSC006	HB	Conductive Tape 60mm *24mm *0.06mm	
	N45G 88609001	DS	PE BAG	
	N45G 88606013	DS	pe bag for base	
	705GN734371	CM	BEZEL ASSY 40-D023964	
	N34G0138 ZKA1B	CM	BEZEL 40-D023900	
	N34G0139 ZK 1B	CM	DECORATION 40-D023878	
	N33G0062 ZK 1B		KEYPAD	
	N33G0063 ZK 1B		LENS	
	N23G3178715 1A	BT	AUSU NAME LOGO	

TC8MRLNTWAUBAZ

Location	Part No.	Description	Remark
	N85G0029 1 WQ	Cover AD,41-D023956	
	N12G6300003 JX	RUBBER_CAP 40-D000227	
	0M1G1740 8120	SCREW FOR STD/MF 42-D020715/42-D000649	
	0M1G 330 4120	SCREW 42A9930008	
	002G6008 2	SCREW 42-D015647	
	0Q1G 330 8120	SCREW 3X8mm 42A9930017/ 42-D002093	
	0M1G1740 10120	SCREW 42A9940008	
	N52G 1VSC005	mylar 73-d0157632	
	N52G 1VSC006	Conductive Tape 60mm *24mm *0.06mm	Second source
	N52G 1211001	Conductive Tape 155mm *15mm *0.06mm	Second source
	N52G 1211007	Conductive Tape 320mm *15mm *0.06mm	Second source
	N44GC015 1 MZ	Cushion RIGHT 78-D024085	
	N44GC015 2 MZ	Cushion LEFT 78-D024087	
	N45G 52001	PE SHEET	
	P45G 77001	wrapping foil	
	095G8014 2N01	WIRE HARNESS 2P-2P 40MM/32-D015712	
	750GLMC0KZ512C000Q	PANEL A220Z5-H03 VSC CMO/SM0Z131D01	
	089G 728CAA DB	D-SUB CABLE	
	089G1738JAA 23	D-SUB CABLE 1800mm 32F3018003	Main source
	089G420A18N IS	POWER CORD 32-D001922	Main source
	089G420A18NISC	POWER CORD 32-D001922	
	017G KBN01ITC C	Key board 35-D023724	
	N40G0001680 1A	TAIWAN LABEL- 77-D023834	
	N40G0001680 6A	CARTON LABEL	
	040G 58160811A	GREEN DOT LABEL	

	N40G 22N680 2A	SAFETY LABEL- 77-D024422	
	N40G0001968 2A	S/N LABEL 7741513161	
	N40G000268010A	WARRANTY LABEL	
	N40G0001680 3A	S/N LABEL- 7741519181	
	052G 1185 49	ASUS TAPE 73-D024084	
	N44G9003 80	CORNER PAPER 78-D004868	
	N44G9003178	Corner paper- 7841599161/78-D004864	
	N44G6002114 98	PAPER BOARD 78-D024083	
	N44GC015680 1B	CARTON- 78-D023841	
	N44GC015ASU 1B	Shipping Draw- 79-D024086	
	050G 600 1 W	WHITE STRAP	
	N07G0006 1 HW	PALLET- 78-D020542	
	N41G7800680 7B	QSG FOR VW223	
	N41G780P680 4A	tw warranty card zbd	
	N85G0030 1 WQ	Cover AD,41-D024344	
	N52G 1211003	Conductive Tape 50mm *24mm *0.06mm	
	N70G2202680 1B	CD-ROM 76-D023837	
	080G L22N00 C	Power board 27-D022368	
	017G USBN02USIC000	USB 35-D024558/10-D024349/000X	
	089G 175N01	USB CABLE/32-D015971	
	089G176C 15N34	FFC Cable 15P 484MM/32-D023923	Main source
	089G176C 55N09	FFC Cable 55P 162MM/32-D023925	Second source
	095G8018 5N00	WIRE HARNESS 5P-5P/32-D024359	
	N40G0001680 4A	S/N LABEL FOR WARRANTY CARD- 77-D025155	
	Q45G 76 28 RN R	PE BAG MANUAL	
	Q45G 76 28V13 R	pe bag	
	052G 1186	SMALL TAPE	
	040G 582680 3A	PALLET LABEL	
	N85G 583500	Gasket 73-D025533 52mm*13mm*3mm	
	N85G 583501	Gasket 73-D025534 15mm*10mm*0.5mm	
	N85G 583502	Gasket 73-D025532 12mm*12mm*12mm	
	EDIDASU22A002	CHECKSUM,0X0F	
	017G MBN3XUSIC000	MB 35-D024227/BIOS 22R00500/002080401	
	BIOS22R00500	22Z5UR3002_20080815,checksum 9B,8D	
	089G 728HAA DB	D-SUB CABLE	
	N34G0135 ZK 1A CM	SEAT	
	N15G0031 1	SEAT-PLATE 41-D023879	
	0Q1G 130 8120	SCREW 42A9930011	
	N12G6300002 SX	RUBBER 40A1769201	
	N34G0136 ZK 1A CM	STAND_FRONT 40-D023886	
	N34G0137 ZK 1A CM	STAND_BACK 40-D023881	
	0Q1G 140 10120	SCREW	
	N37G0026 1 CX	HINGE	
	N33G0060 ZK 1A	CABLETIDY 40-D023883	
	0Q1G1830 8120	SCREW(3X8) 42A9230001	
	705GN734371 CM	BEZEL ASSY 40-D023964	
	N34G0177 ZK 1B CM	REAR 40-D023962	
	N40G0002680 8A	VW223B POP LABEL	
	N40G0002680 9A	TRY ME LABEL	
	N40G000268013A	EZ LINK LABEL	
	N52G 1211007 HB	Conductive Tape 320mm *15mm *0.06mm)	Main source
	N52G 1211003 HB	Conductive Tape 50mm *24mm *0.06mm	Main source
	N52G 1211001 HB	Conductive Tape 155mm *15mm *0.06mm	Main source
	KEPC8QU6	KEY BOARD 35-D023724	
	089G 175523 G	USB CABLE 1.8M	
	BIOS22U00100	CHIMEI-VW223B-018A-0004	

	N52G 1VSC006 HB	Conductive Tape 60mm *24mm *0.06mm	
	N45G 88609001 DS	PE BAG	
	N45G 88606013 DS	pe bag for base	
	705GN734371 CM	BEZEL ASSY 40-D023964	
	N34G0138 ZKA1B CM	BEZEL 40-D023900	
	N34G0139 ZK 1B CM	DECORATION 40-D023878	
	N33G0062 ZK 1B	KEYPAD	
	N33G0063 ZK 1B	LENS	
	N23G3178715 1A BT	AUSU NAME LOGO	

TC8MRLDCWAUANN

Location	Part No.	Description	Remark
	N85G0029 1 WQ	Cover AD,41-D023956	
	N12G6300003 JX	RUBBER_CAP 40-D000227	
	0M1G1740 8120	SCREW FOR STD/MF 42-D020715/42-D000649	
	0M1G 330 4120	SCREW 42A9930008	
	002G6008 2	SCREW 42-D015647	
	0Q1G 330 8120	SCREW 3X8mm 42A9930017/ 42-D002093	
	0M1G1740 10120	SCREW 42A9940008	
	N52G 1VSC005	mylar 73-d0157632	
	N52G 1VSC006	Conductive Tape 60mm *24mm *0.06mm	Main source
	N52G 1211001	Conductive Tape 155mm *15mm *0.06mm	Main source
	N52G 1211007	Conductive Tape 320mm *15mm *0.06mm	Main source
	N44GC015 1 MZ	Cushion RIGHT 78-D024085	
	N44GC015 2 MZ	Cushion LEFT 78-D024087	
	N45G 52001	PE SHEET	
	P45G 77001	wrapping foil	
	095G8014 2N01	WIRE HARNESS 2P-2P 40MM/32-D015712	
	750GLMC0KZ512C000Q	PANEL A220Z5-H03 VSC CMO/SM0Z131D01	
	089G 728CAA DB	D-SUB CABLE	
	089G1738JAA 23	D-SUB CABLE 1800mm 32F3018003	Main source
	017G KBN01ITC C	Key board 35-D023724	
	N40G0001680 6A	CARTON LABEL	
	040G 58160811A	GREEN DOT LABEL	
	N40G 22N680 2A	SAFETY LABEL- 77-D024422	
	N40G0001968 2A	S/N LABEL 7741513161	
	N40G000268010A	WARRANTY LABEL	
	N40G0001680 3A	S/N LABEL- 7741519181	
	052G 1185 49	ASUS TAPE 73-D024084	
	N44G9003 80	CORNER PAPER 78-D004868	
	N44G9003178	Corner paper- 7841599161/78-D004864	
	N44G6002114 98	PAPER BOARD 78-D024083	
	N44GC015680 1B	CARTON- 78-D023841	
	N44GC015ASU 1B	Shipping Draw- 79-D024086	
	050G 600 1 W	WHITE STRAP	
	N07G0006 1 HW	PALLET- 78-D020542	
	N41G7800680 7B	QSG FOR VW223	
	N41G780P680 5B	WARRANTY CARD APAC NZBD	
	N85G0030 1 WQ	Cover AD,41-D024344	
	N52G 1211003	Conductive Tape 50mm *24mm *0.06mm	
	N70G2202680 1B	CD-ROM 76-D023837	
	080G L22N00 C	Power board 27-D022368	
	017G USBN02USIC000	USB 35-D024558/10-D024349/000X	
	089G 175N01	USB CABLE/32-D015971	
	089G176C 15N34	FFC Cable 15P 484MM/32-D023923	
	089G176C 55N09	FFC Cable 55P 162MM/32-D023925	

	095G8018 5N00	WIRE HARNESS 5P-5P/32-D024359	
	N40G0001680 4A	S/N LABEL FOR WARRANTY CARD- 77-D025155	
	Q45G 76 28 RN R	PE BAG MANUAL	
	Q45G 76 28V13 R	pe bag	
	052G 1186	SMALL TAPE	
	089G404A18N IS	POWER CORD 32E1818018	
	089G404A18NISC	POWER CORD 32E1818018	
	089G404A18N YH	POWER CORD(32E1818018/32-D022217)	
	089G412A18NISC	POWER CORD 32E1818058	
	089G412A18NIS3	POWER CORD/32E1818058	
	089G410A18N IS	POWER CORD 32E1818020	Main source
	089G410A18NISC	POWER CORD 32E1818020	
	040G 582680 3A	PALLET LABEL	
	N85G 583500	Gasket 73-D025533 52mm*13mm*3mm	
	N85G 583501	Gasket 73-D025534 15mm*10mm*0.5mm	
	N85G 583502	Gasket 73-D025532 12mm*12mm*12mm	
	EDIDASU22A002	CHECKSUM,0X0F	
	017G MBN3XUSIC000	MB 35-D024227/BIOS 22R00500/002080401	
	BIOS22R00500	22Z5UR3002_20080815,checksum 9B,8D	
	089G 728HAA DB	D-SUB CABLE	
	N52G 1211007 HB	Conductive Tape 320mm *15mm *0.06mm	Main source
	N52G 1211003 HB	Conductive Tape 50mm *24mm *0.06mm	Main source
	N52G 1211001 HB	Conductive Tape 155mm *15mm *0.06mm	Main source
	KEPC8QU6	KEY BOARD 35-D023724	
	089G 175523 G	USB CABLE 1.8M	
	BIOS22U00100	CHIMEI-VW223B-018A-0004	
	N52G 1VSC006 HB	Conductive Tape 60mm *24mm *0.06mm	
	N45G 88609001 DS	PE BAG	
	705GN734371 CM	BEZEL ASSY 40-D023964	
	N40G0002680 8A	VW223B POP LABEL	
	N40G0002680 9A	TRY ME LABEL	
	N40G000268013A	EZ LINK LABEL	
	N34G0136 ZK 1A CM	STAND_FRONT 40-D023886	
	N34G0137 ZK 1A CM	STAND_BACK 40-D023881	
	0Q1G 130 8120	SCREW 42A9930011	
	N37G0026 1	HINGE ASSY 41-D023880	
	N33G0060 ZK 1A	CABLETIDY 40-D023883	
	0Q1G1830 8120	SCREW(3X8) 42A9230001	
	N34G0135 ZK 1B CM	SEAT	
	N15G0031 1	SEAT-PLATE 41-D023879	
	0Q1G 130 8120	SCREW 42A9930011	
	N12G6300002 SX	RUBBER 40A1769201	
	N45G 88606012 DS	pe bag for base	
	N34G0140 ZK 2B CM	REARCOVER	
	N12G6300003 SX	RUBBER_CAP 40-D000227	
	705GN734371 CM	BEZEL ASSY 40-D023964	
	N34G0138 ZKA1B CM	BEZEL 40-D023900	
	N34G0139 ZK 1B CM	DECORATION 40-D023878	
	N33G0062 ZK 1B	KEYPAD	
	N33G0063 ZK 1B	LENS	
	N23G3178715 1A BT	AUSU NAME LOGO	

TC8MRLDKWAUANN

Location	Part No.	Description	Remark
	N85G0029 1 WQ	Cover AD,41-D023956	
	N12G6300003 JX	RUBBER_CAP 40-D000227	

	0M1G1740 8120	SCREW FOR STD/MF 42-D020715/42-D000649	
	0M1G 330 4120	SCREW 42A9930008	
	002G6008 2	SCREW 42-D015647	
	0Q1G 330 8120	SCREW 3X8mm 42A9930017/ 42-D002093	
	0M1G1740 10120	SCREW 42A9940008	
	N52G 1VSC005	mylar 73-d0157632	
	N52G 1VSC006	Conductive Tape 60mm *24mm *0.06mm	Second source
	N52G 1211001	Conductive Tape 155mm *15mm *0.06mm	Second source
	N52G 1211007	Conductive Tape 320mm *15mm *0.06mm	Second source
	N44GC015 1 MZ	Cushion RIGHT 78-D024085	
	N44GC015 2 MZ	Cushion LEFT 78-D024087	
	N45G 52001	PE SHEET	
	P45G 77001	wrapping foil	
	095G8014 2N01	WIRE HARNESS 2P-2P 40MM/32-D015712	
	750GLMC0KZ512C000Q	PANEL A220Z5-H03 VSC CMO/SM0Z131D01	
	089G 728CAA DB	D-SUB CABLE	
	089G1738JAA 23	D-SUB CABLE 1800mm 32F3018003	
	089G402A18N YH	POWER CORD(32-D022438)	
	089G402A18N IS	POWER CORD32-D022438	Main source
	017G KBN01ITC C	Key board 35-D023724	
	040G 582680 3A	PALLET LABEL	
	N40G0001680 6A	CARTON LABEL	
	040G 58160811A	GREEN DOT LABEL	
	N40G 22N68011A	SAFETY LABEL	
	N40G0001968 2A	S/N LABEL 7741513161	
	N40G000268010A	WARRANTY LABEL	
	052G 1185 49	ASUS TAPE 73-D024084	
	N44G9003 80	CORNER PAPER 78-D004868	
	N44G9003178	Corner paper- 7841599161/78-D004864	
	N44G6002114 98	PAPER BOARD 78-D024083	
	N44GC015680 1B	CARTON- 78-D023841	
	N44GC015ASU 1B	Shipping Draw- 79-D024086	
	050G 600 1 W	WHITE STRAP	
	N07G0006 1 HW	PALLET- 78-D020542	
	N41G7800680 7B	QSG FOR VW223	
	N41G780P680 3A	us warranty card non zbd	
	N85G0030 1 WQ	Cover AD,41-D024344	
	N52G 1211003	Conductive Tape 50mm *24mm *0.06mm	
	N70G2202680 1B	CD-ROM 76-D023837	
	080G L22N00 C	Power board 27-D022368	
	017G USBN02USIC000	USB 35-D024558/10-D024349/000X	
	089G 175N01	USB CABLE/32-D015971	
	089G176C 15N34	FFC Cable 15P 484MM/32-D023923	
	089G176C 55N09	FFC Cable 55P 162MM/32-D023925	
	095G8018 5N00	WIRE HARNESS 5P-5P/32-D024359	
	N40G0001680 4A	S/N LABEL FOR WARRANTY CARD- 77-D025155	
	Q45G 76 28 RN R	PE BAG MANUAL	
	Q45G 76 28V13 R	pe bag	
	052G 1186	SMALL TAPE	
	089G402A18NISC	POWER CORD/32-D022438	
	N85G 583500	Gasket 73-D025533 52mm*13mm*3mm	
	N85G 583501	Gasket 73-D025534 15mm*10mm*0.5mm	
	N85G 583502	Gasket 73-D025532 12mm*12mm*12mm	
	EDIDASU22A002	CHECKSUM,0X0F	
	017G MBN3XUSIC000	MB 35-D024227/BIOS 22R00500/002080401	
	BIOS22R00500	22Z5UR3002_20080815,checksum 9B,8D	

	089G 728HAA DB		D-SUB CABLE	
	N52G 1211007 HB		Conductive Tape 320mm *15mm *0.06mm	
	N52G 1211003 HB		Conductive Tape 50mm *24mm *0.06mm	
	N52G 1211001 HB		Conductive Tape 155mm *15mm *0.06mm	
	KEPC8QU6		KEY BOARD 35-D023724	
	089G 175523 G		USB CABLE 1.8M	
	BIOS22U00100		CHIMEI-VW223B-018A-0004	
	N52G 1VSC006 HB		Conductive Tape 60mm *24mm *0.06mm	
	N45G 88609001 DS		PE BAG	
	705GN734371 CM		BEZEL ASSY 40-D023964	
	N40G0002680 8A		VW223B POP LABEL	
	N40G0002680 9A		TRY ME LABEL	
	N40G000268013A		EZ LINK LABEL	
	N34G0136 ZK 1A CM		STAND_FRONT 40-D023886	
	N34G0137 ZK 1A CM		STAND_BACK 40-D023881	
	0Q1G 130 8120		SCREW 42A9930011	
	N37G0026 1		HINGE ASSY 41-D023880	
	N33G0060 ZK 1A		CABLETIDY 40-D023883	
	0Q1G1830 8120		SCREW(3X8) 42A9230001	
	N34G0135 ZK 1B CM		SEAT	
	N15G0031 1		SEAT-PLATE 41-D023879	
	0Q1G 130 8120		SCREW 42A9930011	
	N12G6300002 SX		RUBBER 40A1769201	
	N45G 88606012 DS		pe bag for base	
	N34G0140 ZK 2B CM		REARCOVER	
	N12G6300003 SX		RUBBER_CAP 40-D000227	
	705GN734371 CM		BEZEL ASSY 40-D023964	
	N34G0138 ZKA1B CM		BEZEL 40-D023900	
	N34G0139 ZK 1B CM		DECORATION 40-D023878	
	N33G0062 ZK 1B		KEYPAD	
	N33G0063 ZK 1B		LENS	
	N23G3178715 1A BT		AUSU NAME LOGO	

VW223S

TC8MRGNTWAUAZ2

Location	Part No.	Description	Remark
	N12G6300003 SX	RUBBER_CAP 40-D000227	
	705GN734374 CM	BEZEL ASSY 40-D023961	
	0M1G1740 8120	SCREW FOR STD/MF 42-D020715/42-D000649	
	0M1G 330 4120	SCREW 42A9930008	
	002G6008 2	SCREW 42-D015647	
	0Q1G 330 8120	SCREW 3X8mm 42A9930017/ 42-D002093	
	0M1G1740 10120	SCREW 42A9940008	
	N52G 1VSC005	mylar 73-d0157632	
	N52G 1VSC006	Conductive Tape 60mm *24mm *0.06mm	Second source
	N52G 1211001	Conductive Tape 155mm *15mm *0.06mm	Second source
	N52G 1211007	Conductive Tape 320mm *15mm *0.06mm	Second source
	N44GC015 1 MZ	Cushion RIGHT 78-D024085	
	N44GC015 2 MZ	Cushion LEFT 78-D024087	
	N45G 52001	PE SHEET	
	P45G 77001	wrapping foil	
	095G8014 2N01	WIRE HARNESS 2P-2P 40MM/32-D015712	
	095G8014 2N00	WIRE HARNESS 2P-2P 20MM/32-D016783	
	750GLMC0KZ512C000Q	PANEL A220Z5-H03 VSC CMO/SM0Z131D01	
	089G 728GAA DB	D-SUB CABLE	

	089G 728HAA DB	D-SUB CABLE	
	089G420A18N IS	POWER CORD 32-D001922	Main source
	N40G0001680 1A	TAIWAN LABEL- 77-D023834	
	N40G0001680 6A	CARTON LABEL	
	N40G0001968 2A	S/N LABEL 7741513161	
	N40G0001680 3A	S/N LABEL- 7741519181	
	052G 1185 49	ASUS TAPE 73-D024084	
	N44G9003 80	CORNER PAPER 78-D004868	
	N44G9003178	Corner paper- 7841599161/78-D004864	
	N44G6002114 98	PAPER BOARD 78-D024083	
	N44GC015680 1B	CARTON- 78-D023841	
	N44GC015ASU 1B	Shipping Draw- 79-D024086	
	050G 600 1 W	WHITE STRAP	
	N07G0006 1 HW	PALLET- 78-D020542	
	040G 58160811A	GREEN DOT LABEL	
	N40G000268010A	WARRANTY LABEL	
	052G 1186	SMALL TAPE	
	N85G0031 1 WQ	COVER AD 41-D023955	
	040G 582680 3A	PALLET LABEL	
	BIOS22R00101	22Z5LR0004-20080407,CHECKSUM 0XAA 0XC0	
	EDIDASU22A002	CHECKSUM,0X0F	
	CBPCRRLVSS1	CONVERSION BAORD	
	KEPC8QU6	KEY BOARD 35-D023724	
	080G L19 7HIB	POWER BOARD	
	N40G0002680 9A	TRY ME LABEL	
	N40G0002680 5A	VW223S POP LABEL	
	078G 477N00 Y	SPK 8OHM 1W 54X17mm	
	078G 516N00 D	SPK 8OHM 1W 80*17*10	
	N52G 1211007 HB	Conductive Tape 320mm *15mm *0.06mm	Main source
	N52G 1211001 HB	Conductive Tape 155mm *15mm *0.06mm	Main source
	089G176J 15N02	FFC CABLE 15P 356MM/32-D023926	
	089G176J 55N02	FFC CABLE 55P 171MM/32-D023924	
	N52G 1VSC006 HB	Conductive Tape 60mm *24mm *0.06mm	Main source
	089G 17356H553	AUDIO CABLE 1800MM	
	N45G 88609001 DS	PE BAG	
	078G 516N00 KR	SPK 8OHM 1W 80*17*10(right)	
	078G 516N00 KL	SPK 8OHM 1W 80*17*10(left)	
	N34G0136 ZK 1A CM	STAND_FRONT 40-D023886	
	N34G0137 ZK 1A CM	STAND_BACK 40-D023881	
	N37G0026 1	HINGE ASSY 41-D023880	
	0Q1G 130 8120	SCREW 42A9930011	
	N33G0060 ZK 1A	CABLETIDY 40-D023883	
	0Q1G1830 8120	SCREW(3X8) 42A9230001	
	N34G0135 ZK 1B CM	SEAT	
	N15G0031 1	SEAT-PLATE 41-D023879	
	0Q1G 130 8120	SCREW 42A9930011	
	N12G6300002 SX	RUBBER 40A1769201	
	N45G 88606012 DS	pe bag for base	
	N34G0140 ZK 3B CM	REARCOVER	
	0Q1G1830 8120	SCREW(3X8) 42A9230001	
	N12G6300003 SX	RUBBER_CAP 40-D000227	
	705GN734374 CM	BEZEL ASSY 40-D023961	
	N34G0138 ZKC1B CM	BEZEL	
	N34G0139 ZK 1B CM	DECORATION 40-D023878	
	N33G0062 ZK 1B	KEYPAD	

	N33G0063 ZK 1B	LENS	
	N23G3178715 1A BT	AUSU NAME LOGO	

TC8MRGNTWAUAZ

Location	Part No.	Description	Remark
	N12G6300003 SX	RUBBER_CAP 40-D000227	
	0M1G1740 8120	SCREW FOR STD/MF 42-D020715/42-D000649	
	0M1G 330 4120	SCREW 42A9930008	
	002G6008 2	SCREW 42-D015647	
	0Q1G 330 8120	SCREW 3X8mm 42A9930017/ 42-D002093	
	0M1G1740 10120	SCREW 42A9940008	
	N52G 1VSC005	mylar 73-d0157632	
	N52G 1VSC006	Conductive Tape 60mm *24mm *0.06mm	Second source
	N52G 1211001	Conductive Tape 155mm *15mm *0.06mm	Second source
	N52G 1211007	Conductive Tape 320mm *15mm *0.06mm	Second source
	N44GC015 1 MZ	Cushion RIGHT 78-D024085	
	N44GC015 2 MZ	Cushion LEFT 78-D024087	
	N45G 52001	PE SHEET	
	P45G 77001	wrapping foil	
	080G L22N03 DE	Power board 27-D023530	
	080G L22N04 C	Power board 27-D023531	
	095G8014 2N01	WIRE HARNESS 2P-2P 40MM/32-D015712	
	095G8014 2N00	WIRE HARNESS 2P-2P 20MM/32-D016783	
	750GLMC0KZ512C000Q	PANEL A220Z5-H03 VSC CMO/SM0Z131D01	
	089G 728CAA DB	D-SUB CABLE	
	089G1738JAA 23	D-SUB CABLE 1800mm 32F3018003	
	089G420A18N IS	POWER CORD 32-D001922	Main source
	089G420A18NISC	POWER CORD 32-D001922	
	089G176C 55N08	FFC Cable 55P 171MM/32-D023924	Main source
	089G176C 15N31	FFC Cable 15P 356MM/32-D023926	Second source
	089G 173 56 46	AUDIO CABLE 1800mm 32F2818004	Main source
	089G 173 56600	AUDIO CABLE 1.8M 32F2818011	
	017G KBN01ITC C	Key board 35-D023724	
	N40G0001680 1A	TAIWAN LABEL- 77-D023834	
	N40G0001680 6A	CARTON LABEL	
	N40G 22N680 3A	SAFETY LABEL- 77-D024594	
	N40G0001968 2A	S/N LABEL 7741513161	
	N40G0001680 3A	S/N LABEL- 7741519181	
	052G 1185 49	ASUS TAPE 73-D024084	
	N44G9003 80	CORNER PAPER 78-D004868	
	N44G9003178	Corner paper- 7841599161/78-D004864	
	N44G6002114 98	PAPER BOARD 78-D024083	
	N44GC015680 1B	CARTON- 78-D023841	
	N44GC015ASU 1B	Shipping Draw- 79-D024086	
	050G 600 1 W	WHITE STRAP	
	N07G0006 1 HW	PALLET- 78-D020542	
	N41G7800680 7B	QSG FOR VW223	
	N41G780P680 4A	tw warranty card zbd	
	N40G0001680 4A	S/N LABEL FOR WARRANTY CARD- 77-D025155	
	Q45G 76 28 RN R	PE BAG MANUAL	
	Q45G 76 28V13 R	pe bag	
	040G 58160811A	GREEN DOT LABEL	
	N40G000268010A	WARRANTY LABEL	
	052G 1186	SMALL TAPE	

	017G MBN3SUSIC000	MB 35-D024659/BIOS 22R00101/004080407	
	N85G0031 1 WQ	COVER AD 41-D023955	
	040G 582680 3A	PALLET LABEL	
	BIOS22R00101	22Z5LR0004-20080407,CHECKSUM 0XAA 0XC0	
	EDIDASU22A002	CHECKSUM,0X0F	
	089G 728HAA DB	D-SUB CABLE	
	078G 516N00 D	SPK 8OHM 1W 80*17*10	
	078G 477N00 Y	.PK 8OHM 1W 54X17mm	
	N34G0135 ZK 1A CM	SEAT	
	N15G0031 1	SEAT-PLATE 41-D023879	
	0Q1G 130 8120	SCREW 42A9930011	
	N12G6300002 SX	RUBBER 40A1769201	
	N34G0136 ZK 1A CM	STAND_FRONT 40-D023886	
	N34G0137 ZK 1A CM	STAND_BACK 40-D023881	
	0Q1G 140 10120	SCREW	
	N37G0026 1 CX	HINGE	
	N33G0060 ZK 1A	CABLETIDY 40-D023883	
	0Q1G1830 8120	SCREW(3X8) 42A9230001	
	705GN734374 CM	BEZEL ASSY 40-D023961	
	N34G0176 ZK 1B CM	REAR 40-D023963	
	0Q1G1830 8120	SCREW(3X8) 42A9230001	
	N40G0002680 5A	VW223S POP LABEL	
	N52G 1211007 HB	Conductive Tape 320mm *15mm *0.06mm	Main source
	N52G 1211001 HB	Conductive Tape 155mm *15mm *0.06mm	Main source
	089G176J 15N02	FFC CABLE 15P 356MM/32-D023926	Second source
	089G176J 55N02	FFC CABLE 55P 171MM/32-D023924	Main source
	KEPC8QU6	KEY BOARD 35-D023724	
	N52G 1VSC006 HB	Conductive Tape 60mm *24mm *0.06mm	
	N45G 88609001 DS	PE BAG	
	N45G 88606013 DS	pe bag for base	
	N40G0002680 9A	TRY ME LABEL	
	705GN734374 CM	BEZEL ASSY 40-D023961	
	N34G0138 ZKC1B CM	BEZEL	
	N34G0139 ZK 1B CM	DECORATION 40-D023878	
	N33G0062 ZK 1B	KEYPAD	
	N33G0063 ZK 1B	LENS	
	N23G3178715 1A BT	AUSU NAME LOGO	

TC8MRGNTWAUAZND

Location	Part No.	Description	Remark
	N12G6300003	RUBBER CAP 40-D000227	
	0Q1G 330 8120	SCREW 3X8mm 42A9930017/ 42-D002093	
	0M1G1740 10120	SCREW 42A9940008	
	N52G 1VSC006	Conductive Tape 60mm *24mm *0.06mm	
	N44GC015 1 MZ	Cushion RIGHT 78-D024085	
	N44GC015 2 MZ	Cushion LEFT 78-D024087	
	N45G 52001	PE SHEET	
	P45G 77001	wrapping foil	
	089G 728CAA DB	D-SUB CABLE	
	089G1738JAA 23	D-SUB CABLE 1800mm 32F3018003	
	089G420A18N IS	POWER CORD 32-D001922	Main source
	089G420A18NISC	POWER CORD 32-D001922	
	089G 173 56 46	AUDIO CABLE 1800mm 32F2818004	Main source
	089G 173 56600	AUDIO CABLE 1.8M 32F2818011	
	017G KBN01ITC C	Key board 35-D023724	

N40G0001680 1A	TAIWAN LABEL- 77-D023834	
N40G0001680 6A	CARTON LABEL	
F40G 22N680 3A	SAFETY LABEL	
N40G0001968 2A	S/N LABEL 7741513161	
N40G0001680 3A	S/N LABEL- 7741519181	
052G 1185 49	ASUS TAPE 73-D024084	
N44G9003 80	CORNER PAPER 78-D004868	
N44G9003178	Corner paper- 7841599161/78-D004864	
N44G6002114 98	PAPER BOARD 78-D024083	
N44GC015680 1B	CARTON- 78-D023841	
N44GC015ASU 1B	Shipping Draw- 79-D024086	
050G 600 1 W	WHITE STRAP	
N07G0006 1 HW	PALLET- 78-D020542	
N41G7800680 7B	QSG FOR VW223	
N41G780P680 4A	tw warranty card zbd	
N40G0001680 4A	S/N LABEL FOR WARRANTY CARD- 77-D025155	
Q45G 76 28 RN R	PE BAG MANUAL	
Q45G 76 28V13 R	pe bag	
040G 58160811A	GREEN DOT LABEL	
N40G000268010A	WARRANTY LABEL	
052G 1186	SMALL TAPE	
040G 582680 3A	PALLET LABEL	
017G MBN3SUSIC000	MB 35-D024659/BIOS 22R00101/004080407	
080G L22N03 DE	Power board 27-D023530	Main source
080G L22N04 C	Power board 27-D023531	Second source
089G176C 15N31	FFC Cable 15P 356MM/32-D023926	Second source
089G176C 55N08	FFC Cable 55P 171MM/32-D023924	Main source
095G8014 2N00	WIRE HARNESS 2P-2P 20MM/32-D016783	
095G8014 2N01	WIRE HARNESS 2P-2P 40MM/32-D015712	
750GLMC0KZ512C000Q	PANEL A220Z5-H03 VSC CMO/SM0Z131D01	
N85G0031 1 WQ	COVER AD 41-D023955	
0M1G 330 4120	SCREW 42A9930008	
N52G 1VSC005	mylar 73-d0157632	
0M1G1740 8120	SCREW FOR STD/MF 42-D020715/42-D000649	
N52G 1211001	Conductive Tape 155mm *15mm *0.06mm	Main source
N52G 1211007	Conductive Tape 320mm *15mm *0.06mm	Main source
002G6008 2	SCREW 42-D015647	
N52G 1211007 HB	Conductive Tape 320mm *15mm *0.06mm	
N52G 1211001 HB	Conductive Tape 155mm *15mm *0.06mm	
EDIDASU22A002	CHECKSUM,0X0F	
KEPC8QU6	KEY BOARD 35-D023724	
BIOS22R00101	22Z5LR0004-20080407,CHECKSUM 0XAA 0XC0	
N52G 1VSC006 HB	Conductive Tape 60mm *24mm *0.06mm	Main source
N45G 88609001 DS	PE BAG	
078G 516N00 KL	SPK 8OHM 1W 80*17*10(left)	
078G 516N00 KR	SPK 8OHM 1W 80*17*10(right)	
N34G0135 ZK 1B CM	SEAT	
N15G0031 1	SEAT-PLATE 41-D023879	
0Q1G 130 8120	SCREW 42A9930011	
N12G6300002 SX	RUBBER 40A1769201	
N45G 88606012 DS	pe bag for base	
N34G0136 ZK 1A CM	STAND_FRONT 40-D023886	
N34G0137 ZK 1A CM	STAND_BACK 40-D023881	

	0Q1G 130 8120	SCREW 42A9930011	
	N37G0026 1	HINGE ASSY 41-D023880	
	N33G0060 ZK 1A	CABLETIDY 40-D023883	
	0Q1G1830 8120	SCREW(3X8) 42A9230001	
	N34G0140 ZK 3B CM	REARCOVER	
	0Q1G1830 8120	SCREW(3X8) 42A9230001	
	N12G6300003 SX	RUBBER_CAP 40-D000227	
	705GN734374 CM	BEZEL ASSY 40-D023961	
	N40G0002680 5A	VW223S POP LABEL	
	N40G0002680 9A	TRY ME LABEL	
	705GN734374 CM	BEZEL ASSY 40-D023961	
	N34G0138 ZKC1B CM	BEZEL	
	N34G0139 ZK 1B CM	DECORATION 40-D023878	
	N33G0062 ZK 1B	KEYPAD	
	N33G0063 ZK 1B	LENS	
	N23G3178715 1A BT	AUSU NAME LOGO	

TC8MRLDDWAUAZN

Location	Part No.	Description	Remark
	N12G6300003 SX	RUBBER_CAP 40-D000227	
	0M1G1740 8120	SCREW FOR STD/MF 42-D020715/42-D000649	
	0M1G 330 4120	SCREW 42A9930008	
	002G6008 2	SCREW 42-D015647	
	0Q1G 330 8120	SCREW 3X8mm 42A9930017/ 42-D002093	
	0M1G1740 10120	SCREW 42A9940008	
	N52G 1VSC005	mylar 73-d0157632	
	N52G 1VSC006	Conductive Tape 60mm *24mm *0.06mm	Second source
	N52G 1211001	Conductive Tape 155mm *15mm *0.06mm	Second source
	N52G 1211007	Conductive Tape 320mm *15mm *0.06mm	Second source
	N44GC015 1 MZ	Cushion RIGHT 78-D024085	
	N44GC015 2 MZ	Cushion LEFT 78-D024087	
	N45G 52001	PE SHEET	
	Q45G 77 5	PE PACKING	
	080G L22N03 DE	Power board 27-D023530	main source
	080G L22N04 C	Power board 27-D023531	
	095G8014 2N01	WIRE HARNESS 2P-2P 40MM/32-D015712	
	095G8014 2N00	WIRE HARNESS 2P-2P 20MM/32-D016783	
	750GLMC0KZ512C000Q	PANEL A220Z5-H03 VSC CMO/SM0Z131D01	
E89G01	089G 728CAA DB	D-SUB CABLE	
	089G176C 55N08	FFC Cable 55P 171MM/32-D023924	main source
	089G176C 15N31	FFC Cable 15P 356MM/32-D023926	main source
	089G 17356H553	AUDIO CABLE 1800MM	main source
	089G 17356C553	AUDIO CABLE 1800MM	
	017G KBN01ITC C	Key board 35-D023724	main source
	N40G0001680 5A	manufactory label	
	N40G0001680 6A	CARTON LABEL	
	N40G 22N680 8A	VW223S Safety Label For China	
	N40G0001968 2A	S/N LABEL 7741513161	
	N40G0001680 3A	S/N LABEL- 7741519181	
	052G 1185 49	ASUS TAPE 73-D024084	
	N44G9003 80	CORNER PAPER 78-D004868	
	N44G9003178	Corner paper- 7841599161/78-D004864	
	N44G6002114 98	PAPER BOARD 78-D024083	
	N44GC015680 1B	CARTON- 78-D023841	

	N44GC015ASU 1B	Shipping Draw- 79-D024086	
	N50G 600 1 W	White strap	
	N07G0006 1 HW	PALLET- 78-D020542	
	N41G7800680 7B	QSG FOR VW223	
	N41G780P680 1A	CHINA WARRANTY CARD ZBD	
	N40G0001680 4A	S/N LABEL FOR WARRANTY CARD- 77-D025155	
	Q45G 76 28 RN R	PE BAG MANUAL	
	Q45G 76 28V13 R	pe bag	
	040G 58160811A	GREEN DOT LABEL	
	N40G000268010A	WARRANTY LABEL	
	052G 1186	SMALL TAPE	
	017G MBN3SUSIC000	MB 35-D024659/BIOS 22R00101/004080407	
	N85G0031 1 WQ	COVER AD 41-D023955	
	040G 582680 3A	PALLET LABEL	
	BIOS22R00101	22Z5LR0004-20080407,CHECKSUM 0XAA 0XC0	
	EDIDASU22A002	CHECKSUM,0X0F	
E89G01	089G 728HAA DB	D-SUB CABLE	
	078G 516N00 D	SPK 8OHM 1W 80*17*10	
	078G 477N00 Y	.PK 8OHM 1W 54X17mm	
	N34G0135 ZK 1A CM	SEAT	
	N15G0031 1	SEAT-PLATE 41-D023879	
	0Q1G 130 8120	SCREW 42A9930011	
	N12G6300002 SX	RUBBER 40A1769201	
	N34G0136 ZK 1A CM	STAND_FRONT 40-D023886	
	N34G0137 ZK 1A CM	STAND_BACK 40-D023881	
	0Q1G 140 10120	SCREW	
	N37G0026 1 CX	HINGE	
	N33G0060 ZK 1A	CABLETIDY 40-D023883	
	0Q1G1830 8120	SCREW(3X8) 42A9230001	
	705GN734374 CM	BEZEL ASSY 40-D023961	
	N34G0140 ZK 3B CM	REARCOVER	
	0Q1G1830 8120	SCREW(3X8) 42A9230001	
	N40G0002680 5A	VW223S POP LABEL	
	N52G 1211007 HB	Conductive Tape 320mm *15mm *0.06mm	main source
	N52G 1211001 HB	Conductive Tape 155mm *15mm *0.06mm	main source
	089G176J 15N02	FFC CABLE 15P 356MM/32-D023926	
	089G176J 55N02	FFC CABLE 55P 171MM/32-D023924	
	KEPC8QU6	KEY BOARD 35-D023724	
	N52G 1VSC006 HB	Conductive Tape 60mm *24mm *0.06mm	main source
	N45G 88609001 DS	PE BAG	
	N45G 88606013 DS	pe bag for base	
	N40G0002680 9A	TRY ME LABEL	
	N45G 76028001 DS	PE BAG FOR ASUS	
E89G02	089G414A18N IS	POWER CORD 32E1818021	
E89G02	089G414A18N YH	POWER CORD(32E1818021)	
	N40G0002680 3A	CHINA LABEL	
	705GN734374 CM	BEZEL ASSY 40-D023961	

VW223N

TC8MRGNBWAUANN

Location	Part No.	Description	Remark
	N85G0024 2 WQ	cover ad	
	N12G6300003 SX	RUBBER_CAP 40-D000227	
	0M1G1740 8120	SCREW FOR STD/MF 42-D020715/42-D000649	
	0M1G 330 4120	SCREW 42A9930008	
	002G6008 2	SCREW 42-D015647	

	0Q1G 330 8120		SCREW 3X8mm 42A9930017/ 42-D002093	
	0M1G1740 10120		SCREW 42A9940008	
	N52G 1VSC005		mylar 73-d0157632	
	N52G 1VSC006		Conductive Tape 60mm *24mm *0.06mm	Second source
	N52G 1211001		Conductive Tape 155mm *15mm *0.06mm	Second source
	N52G 1211007		Conductive Tape 320mm *15mm *0.06mm	Second source
	N44GC015 1 MZ		Cushion RIGHT 78-D024085	
	N44GC015 2 MZ		Cushion LEFT 78-D024087	
	N45G 52001		PE SHEET	
	P45G 77001		wrapping foil	
	080G L22N03 DE		Power board 27-D023530	
	080G L22N04 C		Power board 27-D023531	
	095G8014 2N01		WIRE HARNESS 2P-2P 40MM/32-D015712	
	095G8014 2N00		WIRE HARNESS 2P-2P 20MM/32-D016783	
	017G MBN58USIC000		MB 35-D024660/BIOS 22R00101/004080407	
	750GLMC0KZ512C000Q		PANEL A220Z5-H03 VSC CMO/SM0Z131D01	
	089G 728CAA DB		D-SUB CABLE	
	089G1738JAA 23		D-SUB CABLE 1800mm 32F3018003	Main source
	089G404A18N IS		POWER CORD /32E1818018	Main source
	089G404A18N YH		POWER CORD(32E1818018/32-D022217)	
	089G176C 55N08		FFC Cable 55P 171MM/32-D023924	
	089G176C 15N31		FFC Cable 15P 356MM/32-D023926	
	089G1748JAA600		DVI Cable 1800mm / 32F0000004	
	089G1748SAAA01		DVI CORD 32-D013540	
	017G KBN01ITC C		Key board 35-D023724	
	N40G 22N680 7A		VW223N SAFETY LABEL	
	N40G0001680 2A		CARTON LABEL- 77-D023835	
	N40G0001968 2A		S/N LABEL 7741513161	
	N40G0001680 3A		S/N LABEL- 7741519181	
	052G 1185 49		ASUS TAPE 73-D024084	
	N44G9003 80		CORNER PAPER 78-D004868	
	N44G9003178		Corner paper- 7841599161/78-D004864	
	N44G6002114 98		PAPER BOARD 78-D024083	
	N44GC015680 1B		CARTON- 78-D023841	
	N44GC015ASU 1B		Shipping Draw- 79-D024086	
	050G 600 1 W		WHITE STRAP	
	N07G0006 1 HW		PALLET- 78-D020542	
	N41G7800680 7B		QSG FOR VW223	
	N41G780P680 2A		eu warranty card non zbd	
	N40G0001680 4A		S/N LABEL FOR WARRANTY CARD- 77-D025155	
	Q45G 76 28 RN R		PE BAG MANUAL	
	Q45G 76 28V13 R		pe bag	
	040G 58160811A		GREEN DOT LABEL	
	N40G000268010A		WARRANTY LABEL	
	052G 1186		SMALL TAPE	
	040G 582680 3A		PALLET LABEL	
	750GLMC0KZ572C000Q		PANEL A220Z5 CMO/SM0Z13AD01	
	Q85G 583605		GASKET_ALUMINIUM FOIL	
	Q85G 583603		GASKET_ALUMINIUM FOIL	
	EDIDASU22D002		CHECKSUM 0XAF	
	EDIDASU22A002		CHECKSUM,0X0F	
	N52G 1211007 HB		Conductive Tape 320mm *15mm *0.06mm	Main source
	N52G 1211001 HB		Conductive Tape 155mm *15mm *0.06mm	Main source
	089G176J 15N02		FFC CABLE 15P 356MM/32-D023926	
	089G176J 55N02		FFC CABLE 55P 171MM/32-D023924	

	KEPC8QU6	KEY BOARD 35-D023724	
	BIOS22R00101	22Z5LR0004-20080407,CHECKSUM 0XAA 0XC0	
	N52G 1VSC006 HB	Conductive Tape 60mm *24mm *0.06mm	Main source
	N45G 88609001 DS	PE BAG	
	N34G0135 ZK 1B CM	SEAT	
	N15G0031 1	SEAT-PLATE 41-D023879	
	0Q1G 130 8120	SCREW 42A9930011	
	N12G6300002 SX	RUBBER 40A1769201	
	N45G 88606012 DS	pe bag for base	
	N34G0136 ZK 1A CM	STAND_FRONT 40-D023886	
	N34G0137 ZK 1A CM	STAND_BACK 40-D023881	
	0Q1G 130 8120	SCREW 42A9930011	
	N37G0026 1	HINGE ASSY 41-D023880	
	N33G0060 ZK 1A	CABLETIDY 40-D023883	
	0Q1G1830 8120	SCREW(3X8) 42A9230001	
	N34G0140 ZK 5B CM	REARCOVER	
	0Q1G1830 8120	SCREW(3X8) 42A9230001	
	N12G6300003 SX	RUBBER_CAP 40-D000227	
	705GN734373 CM	BEZEL ASSY	
	N40G0002680 4A	VW223N POP LABEL	
	N40G0002680 9A	TRY ME LABEL	
	705GN734373 CM	BEZEL ASSY	
	N34G0138 ZKB1B CM	BEZEL	
	N34G0139 ZK 1B CM	DECORATION 40-D023878	
	N33G0062 ZK 1B	KEYPAD	
	N33G0063 ZK 1B	LENS	
	N23G3178715 1A BT	AUSU NAME LOGO	

TC8MRGNBWAUANN

Location	Part No.	Description	Remark
	N85G0024 2 WQ	cover ad	
	N12G6300003 SX	RUBBER_CAP 40-D000227	
	0M1G1740 8120	SCREW FOR STD/MF 42-D020715/42-D000649	
	0M1G 330 4120	SCREW 42A9930008	
	002G6008 2	SCREW 42-D015647	
	0Q1G 330 8120	SCREW 3X8mm 42A9930017/ 42-D002093	
	0M1G1740 10120	SCREW 42A9940008	
	N52G 1VSC005	mylar 73-d0157632	
	N52G 1VSC006	Conductive Tape 60mm *24mm *0.06mm	Second source
	N52G 1211001	Conductive Tape 155mm *15mm *0.06mm	Second source
	N52G 1211007	Conductive Tape 320mm *15mm *0.06mm	Second source
	N44GC015 1 MZ	Cushion RIGHT 78-D024085	
	N44GC015 2 MZ	Cushion LEFT 78-D024087	
	N45G 52001	PE SHEET	
	P45G 77001	wrapping foil	
	080G L22N03 DE	Power board 27-D023530	
	080G L22N04 C	Power board 27-D023531	
	095G8014 2N01	WIRE HARNESS 2P-2P 40MM/32-D015712	
	095G8014 2N00	WIRE HARNESS 2P-2P 20MM/32-D016783	
	017G MBN58USIC000	MB 35-D024660/BIOS 22R00101/004080407	
	750GLMC0KZ512C000Q	PANEL A220Z5-H03 VSC CMO/SM0Z131D01	
	089G 728CAA DB	D-SUB CABLE	
	089G1738JAA 23	D-SUB CABLE 1800mm 32F3018003	Main source
	089G404A18N IS	POWER CORD 32E1818018	Main source

	089G404A18N YH	POWER CORD(32E1818018/32-D022217)	
	089G176C 55N08	FFC Cable 55P 171MM/32-D023924	Main source
	089G176C 15N31	FFC Cable 15P 356MM/32-D023926	Second source
	089G1748JAA600	DVI Cable 1800mm / 32F0000004	
	089G1748SAAA01	DVI CORD 32-D013540	
	017G KBN01ITC C	Key board 35-D023724	
	N40G 22N680 7A	VW223N SAFETY LABEL	
	N40G0001680 2A	CARTON LABEL- 77-D023835	
	N40G0001968 2A	S/N LABEL 7741513161	
	N40G0001680 3A	S/N LABEL- 7741519181	
	052G 1185 49	ASUS TAPE 73-D024084	
	N44G9003 80	CORNER PAPER 78-D004868	
	N44G9003178	Corner paper- 7841599161/78-D004864	
	N44G6002114 98	PAPER BOARD 78-D024083	
	N44GC015680 1B	CARTON- 78-D023841	
	N44GC015ASU 1B	Shipping Draw- 79-D024086	
	050G 600 1 W	WHITE STRAP	
	N07G0006 1 HW	PALLET- 78-D020542	
	N41G7800680 7B	QSG FOR VW223	
	N41G780P680 2A	eu warranty card non zbd	
	N40G0001680 4A	S/N LABEL FOR WARRANTY CARD-77-D025155	
	Q45G 76 28 RN R	PE BAG MANUAL	
	Q45G 76 28V13 R	pe bag	
	040G 58160811A	GREEN DOT LABEL	
	N40G000268010A	WARRANTY LABEL	
	052G 1186	SMALL TAPE	
	040G 582680 3A	PALLET LABEL	
	750GLMC0KZ572C000Q	PANEL A220Z5 CMO/SM0Z13AD01	
	Q85G 583605	GASKET_ALUMINIUM FOIL	
	Q85G 583603	GASKET_ALUMINIUM FOIL	
	EDIDASU22D002	CHECKSUM 0XAF	
	EDIDASU22A002	CHECKSUM,0X0F	
	N52G 1211007 HB	Conductive Tape 320mm *15mm *0.06mm	Main source
	N52G 1211001 HB	Conductive Tape 155mm *15mm *0.06mm	Main source
	089G176J 15N02	FFC CABLE 15P 356MM/32-D023926	Second source
	089G176J 55N02	FFC CABLE 55P 171MM/32-D023924	Main source
	KEPC8QU6	KEY BOARD 35-D023724	
	BIOS22R00101	22Z5LR0004-20080407,CHECKSUM 0XAA 0XC0	
	N52G 1VSC006 HB	Conductive Tape 60mm *24mm *0.06mm	Main source
	N45G 88609001 DS	PE BAG	
	N34G0135 ZK 1B CM	SEAT	
	N15G0031 1	SEAT-PLATE 41-D023879	
	0Q1G 130 8120	SCREW 42A9930011	
	N12G6300002 SX	RUBBER 40A1769201	
	N45G 88606012 DS	pe bag for base	
	N34G0136 ZK 1A CM	STAND_FRONT 40-D023886	
	N34G0137 ZK 1A CM	STAND_BACK 40-D023881	
	0Q1G 130 8120	SCREW 42A9930011	
	N37G0026 1	HINGE ASSY 41-D023880	
	N33G0060 ZK 1A	CABLETIDY 40-D023883	
	0Q1G1830 8120	SCREW(3X8) 42A9230001	
	N34G0140 ZK 5B CM	REARCOVER	
	0Q1G1830 8120	SCREW(3X8) 42A9230001	
	N12G6300003 SX	RUBBER_CAP 40-D000227	

	705GN734373	CM	BEZEL ASSY	
	N40G0002680	4A	VW223N POP LABEL	
	N40G0002680	9A	TRY ME LABEL	
	705GN734373	CM	BEZEL ASSY	
	N34G0138	ZKB1B CM	BEZEL	
	N34G0139	ZK 1B CM	DECORATION 40-D023878	
	N33G0062	ZK 1B	KEYPAD	
	N33G0063	ZK 1B	LENS	
	N23G3178715	1A BT	AUSU NAME LOGO	

VW223D

TC8MRGNBWAUSA

Location	Part No.	Description	Remark
	N85G0032 1 WQ	COVER AD 41-D023951	
	N12G6300003 SX	RUBBER_CAP 40-D000227	
	0M1G1740 8120	SCREW FOR STD/MF 42-D020715/42-D000649	
	0M1G 330 4120	SCREW 42A9930008	
	002G6008 2	SCREW 42-D015647	
	0Q1G 330 8120	SCREW 3X8mm 42A9930017/ 42-D002093	
	0M1G1740 10120	SCREW 42A9940008	
	N52G 1VSC005	mylar 73-d0157632	
	N52G 1VSC006	Conductive Tape 60mm *24mm *0.06mm	Second source
	N52G 1211001	Conductive Tape 155mm *15mm *0.06mm	Second source
	N52G 1211007	Conductive Tape 320mm *15mm *0.06mm	Second source
	N44GC015 1 MZ	Cushion RIGHT 78-D024085	
	N44GC015 2 MZ	Cushion LEFT 78-D024087	
	N45G 52001	PE SHEET	
	P45G 77001	wrapping foil	
	080G L22N03 DE	Power board 27-D023530	
	080G L22N04 C	Power board 27-D023531	
	095G8014 2N01	WIRE HARNESS 2P-2P 40MM/32-D015712	
	095G8014 2N00	WIRE HARNESS 2P-2P 20MM/32-D016783	
	017G MBN3VUSIC000	MB 35-D024661/BIOS 22R00101/004080407	
	750GLMC0KZ512C000Q	PANEL A220Z5-H03 VSC CMO/SM0Z131D01	
	089G 728CAA DB	D-SUB CABLE	
	089G1738JAA 23	D-SUB CABLE 1800mm 32F3018003	
	089G404A18N YH	POWER CORD(32E1818018/32-D022217)	
	089G404A18N IS	POWER CORD 32E1818018	Main source
	089G176C 55N08	FFC Cable 55P 171MM/32-D023924	Main source
	089G176C 15N31	FFC Cable 15P 356MM/32-D023926	Second source
	017G KBN01ITC C	Key board 35-D023724	
	N40G0001680 6A	CARTON LABEL	
	N40G 22N680 4A	SAFETY LABEL 77-D024603	
	N40G0001968 2A	S/N LABEL 7741513161	
	N40G0001680 3A	S/N LABEL- 7741519181	
	052G 1185 49	ASUS TAPE 73-D024084	
	N44G9003 80	CORNER PAPER 78-D004868	
	N44G9003178	Corner paper- 7841599161/78-D004864	
	N44G6002114 98	PAPER BOARD 78-D024083	
	N44GC015680 1B	CARTON- 78-D023841	
	N44GC015ASU 1B	Shipping Draw- 79-D024086	
	050G 600 1 W	WHITE STRAP	
	N07G0006 1 HW	PALLET- 78-D020542	
	N41G7800680 7B	QSG FOR VW223	
	N41G780P680 2A	eu warranty card non zbd	

	N40G0001680 4A	S/N LABEL FOR WARRANTY CARD-77-D025155	
	Q45G 76 28 RN R	PE BAG MANUAL	
	Q45G 76 28V13 R	pe bag	
	040G 58160811A	GREEN DOT LABEL	
	N40G000268010A	WARRANTY LABEL	
	052G 1186	SMALL TAPE	
	040G 582680 3A	PALLET LABEL	
	750GLMC0KZ572C000Q	PANEL A220Z5 CMO/SM0Z13AD01	
	BIOS22R00101	22Z5LR0004-20080407,CHECKSUM 0XAA 0XC0	
	EDIDASU22A002	CHECKSUM,0X0F	
	089G 728HAA DB	D-SUB CABLE	
	N34G0175 ZK 1B CM	REAR 40-D023876	
	N40G0002680 6A	VW223D POP LABEL	
	N40G0002680 9A	TRY ME LABEL	
	N34G0135 ZK 1A CM	SEAT	
	N15G0031 1	SEAT-PLATE 41-D023879	
	0Q1G 130 8120	SCREW 42A9930011	
	N12G6300002 SX	RUBBER 40A1769201	
	N34G0136 ZK 1A CM	STAND_FRONT 40-D023886	
	N34G0137 ZK 1A CM	STAND_BACK 40-D023881	
	0Q1G 140 10120	SCREW	
	N37G0026 1 CX	HINGE	
	N33G0060 ZK 1A	CABLETIDY 40-D023883	
	0Q1G1830 8120	SCREW(3X8) 42A9230001	
	705GN734370 CM	\BEZEL ASSY 40-D023873	
	N52G 1211007 HB	Conductive Tape 320mm *15mm *0.06mm	Main source
	N52G 1211001 HB	Conductive Tape 155mm *15mm *0.06mm	Main source
	089G176J 15N02	FFC CABLE 15P 356MM/32-D023926	Main source
	089G176J 55N02	FFC CABLE 55P 171MM/32-D023924	
	KEPC8QU6	KEY BOARD 35-D023724	
	N52G 1VSC006 HB	Conductive Tape 60mm *24mm *0.06mm	Main source
	N45G 88609001 DS	PE BAG	
	N45G 88606013 DS	pe bag for base	
	705GN734370 CM	\BEZEL ASSY 40-D023873	
	N34G0138 ZKE1B CM	BEZEL	
	N34G0139 ZK 1B CM	DECORATION 40-D023878	
	N33G0062 ZK 1B	KEYPAD	
	N33G0063 ZK 1B	LENS	
	N23G3178715 1A BT	AUSU NAME LOGO	

TC8MRGNBWAUAANN

Location	Part No.	Description	Remark
	N85G0032 1 WQ	COVER AD 41-D023951	
	N12G6300003 SX	RUBBER_CAP 40-D000227	
	0M1G1740 8120	SCREW FOR STD/MF 42-D020715/42-D000649	
	0M1G 330 4120	SCREW 42A9930008	
	002G6008 2	SCREW 42-D015647	
	0Q1G 330 8120	SCREW 3X8mm 42A9930017/ 42-D002093	
	0M1G1740 10120	SCREW 42A9940008	
	N52G 1VSC005	mylar 73-d0157632	
	N52G 1VSC006	Conductive Tape 60mm *24mm *0.06mm	Second source
	N52G 1211001	Conductive Tape 155mm *15mm *0.06mm	Second source
	N52G 1211007	Conductive Tape 320mm *15mm *0.06mm	Second source
	N44GC015 1 MZ	Cushion RIGHT 78-D024085	

N44GC015 2 MZ	Cushion LEFT 78-D024087	
N45G 52001	PE SHEET	
P45G 77001	wrapping foil	
080G L22N03 DE	Power board 27-D023530	
080G L22N04 C	Power board 27-D023531	
095G8014 2N01	WIRE HARNESS 2P-2P 40MM/32-D015712	
095G8014 2N00	WIRE HARNESS 2P-2P 20MM/32-D016783	
017G MBN3VUSIC000	MB 35-D024661/BIOS 22R00101/004080407	
750GLMC0KZ512C000Q	PANEL A220Z5-H03 VSC CMO/SM0Z131D01	
089G 728CAA DB	D-SUB CABLE	
089G1738JAA 23	D-SUB CABLE 1800mm 32F3018003	Main source
089G404A18N YH	POWER CORD(32E1818018/32-D022217)	
089G404A18N IS	POWER CORD 32E1818018	Main source
089G176C 55N08	FFC Cable 55P 171MM/32-D023924	Main source
089G176C 15N31	FFC Cable 15P 356MM/32-D023926	Second source
017G KBN01ITC C	Key board 35-D023724	
N40G0001680 6A	CARTON LABEL	
N40G 22N680 4A	SAFETY LABEL 77-D024603	
N40G0001968 2A	S/N LABEL 7741513161	
N40G0001680 3A	S/N LABEL- 7741519181	
052G 1185 49	ASUS TAPE 73-D024084	
N44G9003 80	CORNER PAPER 78-D004868	
N44G9003178	Corner paper- 7841599161/78-D004864	
N44G6002114 98	PAPER BOARD 78-D024083	
N44GC015680 1B	CARTON- 78-D023841	
N44GC015ASU 1B	Shipping Draw- 79-D024086	
050G 600 1 W	WHITE STRAP	
N07G0006 1 HW	PALLET- 78-D020542	
N41G7800680 7B	QSG FOR VW223	
N41G780P680 2A	eu warranty card non zbd	
N40G0001680 4A	S/N LABEL FOR WARRANTY CARD- 77-D025155	
Q45G 76 28 RN R	PE BAG MANUAL	
Q45G 76 28V13 R	pe bag	
040G 58160811A	GREEN DOT LABEL	
N40G000268010A	WARRANTY LABEL	
052G 1186	SMALL TAPE	
040G 582680 3A	PALLET LABEL	
750GLMC0KZ572C000Q	PANEL A220Z5 CMO/SM0Z13AD01	
089G410A18N IS	POWER CORD 32E1818020	Main source
089G410A18NISC	POWER CORD 32E1818020	
BIOS22R00101	22Z5LR0004-20080407,CHECKSUM 0XAA 0XC0	
EDIDASU22A002	CHECKSUM,0X0F	
089G 728HAA DB	D-SUB CABLE	
N34G0135 ZK 1A CM	SEAT	
N15G0031 1	SEAT-PLATE 41-D023879	
0Q1G 130 8120	SCREW 42A9930011	
N12G6300002 SX	RUBBER 40A1769201	
N34G0136 ZK 1A CM	STAND_FRONT 40-D023886	
N34G0137 ZK 1A CM	STAND_BACK 40-D023881	
0Q1G 140 10120	SCREW	
N37G0026 1 CX	HINGE	
N33G0060 ZK 1A	CABLETIDY 40-D023883	
0Q1G1830 8120	SCREW(3X8) 42A9230001	
705GN734370 CM	\BEZEL ASSY 40-D023873	

	N34G0175 ZK 1B CM	REAR 40-D023876	
	N40G0002680 6A	VW223D POP LABEL	
	N40G0002680 9A	TRY ME LABEL	
	N52G 1211007 HB	Conductive Tape 320mm *15mm *0.06mm	Main source
	N52G 1211001 HB	Conductive Tape 155mm *15mm *0.06mm	Main source
	089G176J 15N02	FFC CABLE 15P 356MM/32-D023926	
	089G176J 55N02	FFC CABLE 55P 171MM/32-D023924	
	KEPC8QU6	KEY BOARD 35-D023724	
	N52G 1VSC006 HB	Conductive Tape 60mm *24mm *0.06mm	
	N45G 88609001 DS	PE BAG	
	N45G 88606013 DS	pe bag for base	
	705GN734370 CM	BEZEL ASSY 40-D023873	
	N34G0138 ZKE1B CM	BEZEL	
	N34G0139 ZK 1B CM	DECORATION 40-D023878	
	N33G0062 ZK 1B	KEYPAD	
	N33G0063 ZK 1B	LENS	
	N23G3178715 1A BT	AUSU NAME LOGO	

TC8MRGNTWAUANZ

Location	Part No.	Description	Remark
	N85G0032 1 WQ	COVER AD 41-D023951	
	N12G6300003 SX	RUBBER_CAP 40-D000227	
	0M1G1740 8120	SCREW FOR STD/MF 42-D020715/42-D000649	
	0M1G 330 4120	SCREW 42A9930008	
	002G6008 2	SCREW 42-D015647	
	0Q1G 330 8120	SCREW 3X8mm 42A9930017/ 42-D002093	
	0M1G1740 10120	SCREW 42A9940008	
	N52G 1VSC005	mylar 73-d0157632	
	N52G 1VSC006	Conductive Tape 60mm *24mm *0.06mm	Second source
	N52G 1211001	Conductive Tape 155mm *15mm *0.06mm	Second source
	N52G 1211007	Conductive Tape 320mm *15mm *0.06mm	Second source
	N44GC015 1 MZ	Cushion RIGHT 78-D024085	
	N44GC015 2 MZ	Cushion LEFT 78-D024087	
	N45G 52001	PE SHEET	
	P45G 77001	wrapping foil	
	080G L22N03 DE	Power board 27-D023530	
	080G L22N04 C	Power board 27-D023531	
	095G8014 2N01	WIRE HARNESS 2P-2P 40MM/32-D015712	
	095G8014 2N00	WIRE HARNESS 2P-2P 20MM/32-D016783	
	017G MBN3VUSIC000	MB 35-D024661/BIOS 22R00101/004080407	
	750GLMC0KZ512C000Q	PANEL A220Z5-H03 VSC CMO/SM0Z131D01	
	089G 728CAA DB	D-SUB CABLE	
	089G1738JAA 23	D-SUB CABLE 1800mm 32F3018003	
	089G420A18N IS	POWER CORD 32-D001922	Main source
	089G420A18NISC	POWER CORD 32-D001922	
	089G176C 55N08	FFC Cable 55P 171MM/32-D023924	Main source
	089G176C 15N31	FFC Cable 15P 356MM/32-D023926	Second source
	017G KBN01ITC C	Key board 35-D023724	
	N40G0001680 1A	TAIWAN LABEL- 77-D023834	
	N40G0001680 6A	CARTON LABEL	
	N40G 22N680 4A	SAFETY LABEL 77-D024603	
	N40G0001968 2A	S/N LABEL 7741513161	
	N40G0001680 3A	S/N LABEL- 7741519181	
	052G 1185 49	ASUS TAPE 73-D024084	
	N44G9003 80	CORNER PAPER 78-D004868	

	N44G9003178		Corner paper- 7841599161/78-D004864	
	N44G6002114 98		PAPER BOARD 78-D024083	
	N44GC015680 1B		CARTON- 78-D023841	
	N44GC015ASU 1B		Shipping Draw- 79-D024086	
	050G 600 1 W		WHITE STRAP	
	N07G0006 1 HW		PALLET- 78-D020542	
	N41G7800680 7B		QSG FOR VW223	
	N41G780P680 4A		tw warranty card zbd	
	N40G0001680 4A		S/N LABEL FOR WARRANTY CARD-77-D025155	
	Q45G 76 28 RN R		PE BAG MANUAL	
	Q45G 76 28V13 R		pe bag	
	040G 58160811A		GREEN DOT LABEL	
	N40G000268010A		WARRANTY LABEL	
	052G 1186		SMALL TAPE	
	040G 582680 3A		PALLET LABEL	
	BIOS22R00101		22Z5LR0004-20080407,CHECKSUM 0XAA 0XC0	
	EDIDASU22A002		CHECKSUM,0X0F	
	089G 728HAA DB		D-SUB CABLE	
	N52G 1211007 HB		Conductive Tape 320mm *15mm *0.06mm	Main source
	N52G 1211001 HB		Conductive Tape 155mm *15mm *0.06mm	Main source
	089G176J 15N02		FFC CABLE 15P 356MM/32-D023926	
	089G176J 55N02		FFC CABLE 55P 171MM/32-D023924	
	KEPC8QU6		KEY BOARD 35-D023724	
	N52G 1VSC006 HB		Conductive Tape 60mm *24mm *0.06mm	
	N45G 88609001 DS		PE BAG	
	N34G0136 ZK 1A CM		STAND_FRONT 40-D023886	
	N34G0137 ZK 1A CM		STAND_BACK 40-D023881	
	0Q1G 130 8120		SCREW 42A9930011	
	N37G0026 1		HINGE ASSY 41-D023880	
	N33G0060 ZK 1A		CABLETIDY 40-D023883	
	0Q1G1830 8120		SCREW(3X8) 42A9230001	
	N34G0135 ZK 1B CM		SEAT	
	N15G0031 1		SEAT-PLATE 41-D023879	
	0Q1G 130 8120		SCREW 42A9930011	
	N12G6300002 SX		RUBBER 40A1769201	
	N45G 88606012 DS		pe bag for base	
	N34G0140 ZK 4B CM		REARCOVER	
	0Q1G1830 8120		SCREW(3X8) 42A9230001	
	N12G6300003 SX		RUBBER_CAP 40-D000227	
	705GN734370 CM		\BEZEL ASSY 40-D023873	
	N40G0002680 6A		VW223D POP LABEL	
	N40G0002680 9A		TRY ME LABEL	
	705GN734370 CM		\BEZEL ASSY 40-D023873	
	N34G0138 ZKE1B CM		BEZEL	
	N34G0139 ZK 1B CM		DECORATION 40-D023878	
	N33G0062 ZK 1B		KEYPAD	
	N33G0063 ZK 1B		LENS	
	N23G3178715 1A BT		AUSU NAME LOGO	

TC8MRGNBWAUAAN2

Location	Part No.	Description	Remark
	N85G0032 1 WQ	COVER AD 41-D023951	
	N12G6300003 SX	RUBBER_CAP 40-D000227	
	705GN734370 CM	\BEZEL ASSY 40-D023873	

	0M1G1740 8120	SCREW FOR STD/MF 42-D020715/42-D000649	
	0M1G 330 4120	SCREW 42A9930008	
	002G6008 2	SCREW 42-D015647	
	0Q1G 330 8120	SCREW 3X8mm 42A9930017/ 42-D002093	
	0M1G1740 10120	SCREW 42A9940008	
	N52G 1VSC005	mylar 73-d0157632	
	N52G 1VSC006	Conductive Tape 60mm *24mm *0.06mm	Second source
	N52G 1211001	Conductive Tape 155mm *15mm *0.06mm	Second source
	N52G 1211007	Conductive Tape 320mm *15mm *0.06mm	Second source
	N44GC015 1 MZ	Cushion RIGHT 78-D024085	
	N44GC015 2 MZ	Cushion LEFT 78-D024087	
	N45G 52001	PE SHEET	
	P45G 77001	wrapping foil	
	095G8014 2N01	WIRE HARNESS 2P-2P 40MM/32-D015712	
	095G8014 2N00	WIRE HARNESS 2P-2P 20MM/32-D016783	
	750GLMC0KZ512C000Q	PANEL A220Z5-H03 VSC CMO/SM0Z131D01	
	089G 728CAA DB	D-SUB CABLE	
	089G1738JAA 23	D-SUB CABLE 1800mm 32F3018003	Main source
	089G404A18N YH	POWER CORD(32E1818018/32-D022217)	
	089G404A18N IS	POWER CORD 32E1818018	Main source
	089G176C 55N08	FFC Cable 55P 171MM/32-D023924	Main source
	089G176C 15N31	FFC Cable 15P 356MM/32-D023926	Second source
	N40G0001680 6A	CARTON LABEL	
	N40G0001968 2A	S/N LABEL 7741513161	
	N40G0001680 3A	S/N LABEL- 7741519181	
	052G 1185 49	ASUS TAPE 73-D024084	
	N44G9003 80	CORNER PAPER 78-D004868	
	N44G9003178	Corner paper- 7841599161/78-D004864	
	N44G6002114 98	PAPER BOARD 78-D024083	
	N44GC015680 1B	CARTON- 78-D023841	
	N44GC015ASU 1B	Shipping Draw- 79-D024086	
	050G 600 1 W	WHITE STRAP	
	N07G 8 A 2 RW	PALLET	
	040G 58160811A	GREEN DOT LABEL	
	N40G000268010A	WARRANTY LABEL	
	052G 1186	SMALL TAPE	
	040G 582680 3A	PALLET LABEL	
	750GLMC0KZ572C000Q	PANEL A220Z5 CMO/SM0Z13AD01	
	089G410A18N IS	POWER CORD 32E1818020	Main source
	089G410A18NISC	POWER CORD 32E1818020	
	BIOS22R00101	22Z5LR0004-20080407,CHECKSUM 0XAA 0XC0	
	EDIDASU22A002	CHECKSUM,0X0F	
	CBPCRRLVSS2	CONVERSION BAORD	
	KEPC8QU6	KEY BOARD 35-D023724	
	080G L19 7HIB	POWER BOARD	
	N40G0002680 9A	TRY ME LABEL	
	N40G0002680 6A	VW223D POP LABEL	
	N52G 1211007 HB	Conductive Tape 320mm *15mm *0.06mm	Main source
	N52G 1211001 HB	Conductive Tape 155mm *15mm *0.06mm	Main source
	089G176J 15N02	FFC CABLE 15P 356MM/32-D023926	Second source
	089G176J 55N02	FFC CABLE 55P 171MM/32-D023924	Main source
	N52G 1VSC006 HB	Conductive Tape 60mm *24mm *0.06mm	
	N45G 88609001 DS	PE BAG	
	078G 516N00 KR	SPK 8OHM 1W 80*17*10(right)	

	078G 516N00 KL	SPK 8OHM 1W 80*17*10(left)	
	N34G0135 ZK 1B CM	SEAT	
	N15G0031 1	SEAT-PLATE 41-D023879	
	N12G6300002 SX	RUBBER 40A1769201	
	N45G 88606012 DS	pe bag for base	
	0Q1G 130 8120	SCREW 42A9930011	
	N34G0136 ZK 1A CM	STAND_FRONT 40-D023886	
	N34G0137 ZK 1A CM	STAND_BACK 40-D023881	
	0Q1G 130 8120	SCREW 42A9930011	
	N37G0026 1	HINGE ASSY 41-D023880	
	N33G0060 ZK 1A	CABLETIDY 40-D023883	
	0Q1G1830 8120	SCREW(3X8) 42A9230001	
	N34G0140 ZK 4B CM	REARCOVER	
	0Q1G1830 8120	SCREW(3X8) 42A9230001	
	N12G6300003 SX	RUBBER_CAP 40-D000227	
	705GN734370 CM	BEZEL ASSY 40-D023873	
	N34G0138 ZKE1B CM	BEZEL	
	N34G0139 ZK 1B CM	DECORATION 40-D023878	
	N33G0062 ZK 1B	KEYPAD	
	N33G0063 ZK 1B	LENS	
	N23G3178715 1A BT	AUSU NAME LOGO	

TC8MRLDDWAUANZN

Location	Part No.	Description	Remark
	N85G0032 1 WQ	COVER AD 41-D023951	
	0M1G1740 8120	SCREW FOR STD/MF 42-D020715/42-D000649	
	0M1G 330 4120	SCREW 42A9930008	
	002G6008 2	SCREW 42-D015647	
	0Q1G 330 8120	SCREW 3X8mm 42A9930017/ 42-D002093	
	0M1G1740 10120	SCREW 42A9940008	
	N52G 1VSC005	mylar 73-d0157632	
	N52G 1VSC006	Conductive Tape 60mm *24mm *0.06mm	
	N52G 1211001	Conductive Tape 155mm *15mm *0.06mm	
	N52G 1211007	Conductive Tape 320mm *15mm *0.06mm	
	N44GC015 1 MZ	Cushion RIGHT 78-D024085	
	N44GC015 2 MZ	Cushion LEFT 78-D024087	
	N45G 52001	PE SHEET	
	Q45G 77 5	PE PACKING	
	080G L22N03 DE	Power board 27-D023530	main source
	080G L22N04 C	Power board 27-D023531	second source
	095G8014 2N01	WIRE HARNESS 2P-2P 40MM/32-D015712	
	095G8014 2N00	WIRE HARNESS 2P-2P 20MM/32-D016783	
	017G MBN3VUSIC000	MB 35-D024661/BIOS 22R00101/004080407	
	750GLMC0KZ512C000Q	PANEL A220Z5-H03 VSC CMO/SM0Z131D01	
	089G 728CAA DB	D-SUB CABLE	main source
	089G176C 55N08	FFC Cable 55P 171MM/32-D023924	main source
	089G176C 15N31	FFC Cable 15P 356MM/32-D023926	main source
	017G KBN01ITC C	Key board 35-D023724	main source
	N40G0001680 5A	manufactory label	
	N40G0001680 6A	CARTON LABEL	
	N40G 22N680 9A	VW223D Safety Label For China	
	N40G0001968 2A	S/N LABEL 7741513161	
	N40G0001680 3A	S/N LABEL- 7741519181	
	052G 1185 49	ASUS TAPE 73-D024084	
	N44G9003 80	CORNER PAPER 78-D004868	

	N44G9003178	Corner paper- 7841599161/78-D004864	
	N44G6002114 98	PAPER BOARD 78-D024083	
	N44GC015680 1B	CARTON- 78-D023841	
	N44GC015ASU 1B	Shipping Draw- 79-D024086	
	N50G 600 1 W	White strap	
	N07G0006 1 HW	PALLET- 78-D020542	
	N41G7800680 7B	QSG FOR VW223	
	N41G780P680 1A	CHINA WARRANTY CARD ZBD	
	N40G0001680 4A	S/N LABEL FOR WARRANTY CARD- 77-D025155	
	Q45G 76 28 RN R	PE BAG MANUAL	
	Q45G 76 28V13 R	pe bag	
	040G 58160811A	GREEN DOT LABEL	
	N40G000268010A	WARRANTY LABEL	
	052G 1186	SMALL TAPE	
	040G 582680 3A	PALLET LABEL	
	BIOS22R00101	22Z5LR0004-20080407,CHECKSUM 0XAA 0XC0	
	EDIDASU22A002	CHECKSUM,0X0F	
	089G 728HAA DB	D-SUB CABLE	
	N52G 1211007 HB	Conductive Tape 320mm *15mm *0.06mm	main source
	N52G 1211001 HB	Conductive Tape 155mm *15mm *0.06mm	main source
	089G176J 15N02	FFC CABLE 15P 356MM/32-D023926	
	089G176J 55N02	FFC CABLE 55P 171MM/32-D023924	
	KEPC8QU6	KEY BOARD 35-D023724	
	N52G 1VSC006 HB	Conductive Tape 60mm *24mm *0.06mm	main source
	N45G 88609001 DS	PE BAG	
	N34G0136 ZK 1A CM	STAND_FRONT 40-D023886	
	N34G0137 ZK 1A CM	STAND_BACK 40-D023881	
	0Q1G 140 10120	SCREW	
	N33G0060 ZK 1A	CABLETIDY 40-D023883	
	0Q1G1830 8120	SCREW(3X8) 42A9230001	
	N34G0135 ZK 1B CM	SEAT	
	N15G0031 1	SEAT-PLATE 41-D023879	
	0Q1G 130 8120	SCREW 42A9930011	
	N12G6300002 SX	RUBBER 40A1769201	
	N45G 88606012 DS	pe bag for base	
	N34G0140 ZK 4B CM	REARCOVER	
	N12G6300003 SX	RUBBER_CAP 40-D000227	
	705GN734370 CM	\BEZEL ASSY 40-D023873	
	N40G0002680 6A	VW223D POP LABEL	
	N40G0002680 9A	TRY ME LABEL	
	N45G 76028001 DS	PE BAG FOR ASUS	
E89G01	089G414A18N IS	POWER CORD 32E1818021	
E89G01	089G414A18N YH	POWER CORD(32E1818021)	
	N40G0002680 3A	CHINA LABEL	
	N37G0026 1 CX	HINGE	
	705GN734370 CM	\BEZEL ASSY 40-D023873	
	N34G0138 ZKE1B CM	BEZEL	
	N34G0139 ZK 1B CM	DECORATION 40-D023878	
	N33G0062 ZK 1B	KEYPAD	
	N33G0063 ZK 1B	LENS	
	N23G3178715 1A BT	AUSU NAME LOGO	
	SMTKEPC8QU6	KEY BOARD FOR SMT	
	SMTKEPC8QU6	KEY BOARD FOR SMT	
CN1	033G8019 2CMO	CONN.25-D000187	main source
CN3	033G8032 1CMO	CONN.25-D000728	

CN2	033G8032 2CMO	CONN.25-D008336	
SW1	077G 606 12 DT CMO	TACT SWITCH 4PIN SMT	
SW2	077G 606 12 DT CMO	TACT SWITCH 4PIN SMT	
SW3	077G 606 12 DT CMO	TACT SWITCH 4PIN SMT	
SW4	077G 606 12 DT CMO	TACT SWITCH 4PIN SMT	
SW5	077G 606 12 DT CMO	TACT SWITCH 4PIN SMT	
SW6	077G 606 12 DT CMO	TACT SWITCH 4PIN SMT	
U1	081G15BY 2 EL	LED 12-22BHS2C-A01-2C	
	715G3276 1	KEY PCB FR-4 135x14x1.0mm DS	
CN3	033G8032 2C	CONNECTOR	
CN2	033G8032 3C	WAFER	
SW1	077G 611 1 TO	CHIP SIDE PUSH SW TS-9PTCF	
SW2	077G 611 1 TO	CHIP SIDE PUSH SW TS-9PTCF	
SW3	077G 611 1 TO	CHIP SIDE PUSH SW TS-9PTCF	
SW4	077G 611 1 TO	CHIP SIDE PUSH SW TS-9PTCF	
SW5	077G 611 1 TO	CHIP SIDE PUSH SW TS-9PTCF	
SW6	077G 611 1 TO	CHIP SIDE PUSH SW TS-9PTCF	
CN1	033G8019 2JCMO	CONNECTOR 1.0pitch SMT 15p	

12 Different Parts list

VW223T

Diversity of TC8MRGNTWAUSAZND compared with TC8MRGNTWAUSAZ			
Location	Part No.	Description	Remark
	N12G6300003	RUBBER CAP 40-D000227	
	F40G 22N680 1A	SAFETY LABEL	
	N52G 1211014	Conductive Tape 73-D024198	
	089G414A18N YH	POWER CORD(32E1818021)	
	089G414A18NIS6	POWER CORD 32E1818021	
	N40G0001680 5A	manufactory label	
	N40G 22N680 6A	SAFETY LABEL	
	N41G780P680 1A	CHINA WARRANTY CARD ZBD	
	N40G0002680 3A	CHINA LABEL	
	750GLMC0KZ572C000Q	PANEL A220Z5 CMO/SM0Z13AD01	
	078G 516N00 D	SPK 8OHM 1W 80*17*10	
	078G 477N00 Y	SPK 8OHM 1W 54X17mm	
	N34G0135 ZK 1A CM	SEAT	
	0Q1G 140 10120	SCREW	
	N37G0026 1 CX	HINGE	
	705GN734372 CM	BEZEL ASSY 40-D023968	
	N34G0179 ZK 1B CM	REAR 40-D023965	
	N45G 88606013 DS	pe bag for base	
	705GN734372 CM	BEZEL ASSY 40-D023968	
	N34G0138 ZK 1A CM	BEZEL 40-D023900	
	N34G0139 ZK 1A CM	DECORATION 40-D023878	
	N33G0062 ZK 1A		
	N33G0063 ZK 1A		
	089G402A18N YH	POWER CORD(32-D022438)	
	089G402A18N IS	POWER CORD/32-D022438	
	N40G 22N68011A	SAFETY LABEL	
	N41G780P680 3A	us warranty card non zbd	
	750GLMC0KZ572C000Q	PANEL A220Z5 CMO/SM0Z13AD01	
	089G402A18NISC	POWER CORD/32-D022438	

	089G404A18N YH	POWER CORD(32E1818018/32-D022217)	
	089G404A18N IS	POWER CORD /32E1818018	
	N40G 22N68012A	SAFETY LABEL	
	N40G0001680 7A	CARTON LABEL FOR SKD	
	N41G780P680 2A	eu warranty card non zbd	
	089G404A18NISC	POWER CORD 32E1818018	
	N52G 1VSC009 MY	TAPE	
	N44G6000 1 2A	SKD CARTON FOR BEZEL	
	N44G6000 1 3A	SKD CARTON FOR REAR	
	N44G6000 1 4A	SKD CARTON FOR STAND	
	N44G6000 1 5A	SKD CARTON FOR SEAT	
	N44G9003185	CORNER PAPER 7841595111/78-D004862	
	N44G9003 90	CORNER PAPER 7841795141	
	N45G 88606008 DS	22 skd bag EPE600*500	
	N45G 88607016 DS	PE BAG	
	N45G 88606009 DS	22 skd bag EPE 250*340	
	0M1G 140 6120	SCREW M4X6	
	N52G 1ASU012 HY	Tape- 73-D001327(82296 x48 x0.045 mm)	
	089G404A18N YH	POWER CORD(32E1818018/32-D022217)	
	089G404A18N IS	POWER CORD /32E1818018	
	089G1748JAA600	DVI Cable 1800mm / 32F0000004	
	089G1748SAAA01	DVI CORD 32-D013540	
	089G 173 56 46	AUDIO CABLE 1800mm 32F2818004	
	089G 173 56600	AUDIO CABLE 1.8M 32F2818011	
	N41G780P680 2A	eu warranty card non zbd	
	750GLMC0KZ572C000Q	PANEL A220Z5 CMO/SM0Z13AD01	
	089G1748HAA AC	DVI CABLE	
	089G404A18N YH	POWER CORD(32E1818018/32-D022217)	
	089G404A18N IS	POWER CORD /32E1818018	
	089G1748JAA600	DVI Cable 1800mm / 32F0000004	
	089G1748SAAA01	DVI CORD 32-D013540	
	089G 173 56 46	AUDIO CABLE 1800mm 32F2818004	
	089G 173 56600	AUDIO CABLE 1.8M 32F2818011	
	N41G780P680 2A	eu warranty card non zbd	
	750GLMC0KZ572C000Q	PANEL A220Z5 CMO/SM0Z13AD01	
	089G1748HAA AC	DVI CABLE	
	089G402A18N YH	POWER CORD(32-D022438)	
	089G402A18N IS	POWER CORD/32-D022438	
	750GLMC0KZ572C000Q	PANEL A220Z5 CMO/SM0Z13AD01	
	089G402A18NISC	POWER CORD/32-D022438	
	CBPCRRLVSS4	CONVERSION BAORD	
	080G L19 7HIB	POWER BOARD	
	078G 516N00 D	SPK 8OHM 1W 80*17*10	
	078G 477N00 Y	.PK 8OHM 1W 54X17mm	

VW223B

Diversity of TC8MRLDBWAUSNNN compared with TC8MRLNDWAUSAZN			
Location	Part No.	Description	Remark
	089G404A18N YH	POWER CORD(32E1818018/32-D022217)	
	089G404A18N IS	POWER CORD /32E1818018	
	N40G 22N680 2A	SAFETY LABEL- 77-D024422	
	N41G780P680 2A	eu warranty card non zbd	

	089G404A18NISC	POWER CORD 32E1818018	
	089G420A18N IS	POWER CORD 32-D001922	
	089G420A18NISC	POWER CORD 32-D001922	
	N40G0001680 1A	TAIWAN LABEL- 77-D023834	
	N40G 22N680 2A	SAFETY LABEL- 77-D024422	
	N41G780P680 4A	tw warranty card zbd	
	N40G 22N680 2A	SAFETY LABEL- 77-D024422	
	N41G780P680 5B	WARRANTY CARD APAC NZBD	
	089G404A18N IS	POWER CORD /32E1818018	
	089G404A18NISC	POWER CORD 32E1818018	
	089G404A18N YH	POWER CORD(32E1818018/32-D022217)	
	089G412A18NISC	POWER CORD 32E1818058	
	089G412A18NIS3	POWER CORD/32E1818058	
	089G410A18N IS	POWER CORD 32E1818020	
	089G410A18NISC	POWER CORD 32E1818020	
	N37G0026 1	HINGE ASSY 41-D023880	
	N34G0135 ZK 1B CM	SEAT	
	N45G 88606012 DS	pe bag for base	
	N34G0140 ZK 2B CM	REARCOVER	
	N12G6300003 SX	RUBBER_CAP 40-D000227	
	089G402A18N YH	POWER CORD(32-D022438)	
	089G402A18N IS	POWER CORD/32-D022438	
	N40G 22N68011A	SAFETY LABEL	
	N41G780P680 3A	us warranty card non zbd	
	089G402A18NISC	POWER CORD/32-D022438	
	N37G0026 1	HINGE ASSY 41-D023880	
	N34G0135 ZK 1B CM	SEAT	
	N45G 88606012 DS	pe bag for base	
	N34G0140 ZK 2B CM	REARCOVER	
	N12G6300003 SX	RUBBER_CAP 40-D000227	

VW223S

Diversity of TC8MRGNTWAUAAZ compared with TC8MRGNTWAUAZ2			
Location	Part No.	Description	Remark
	080G L22N03 DE	Power board 27-D023530	
	080G L22N04 C	Power board 27-D023531	
	089G 728CAA DB	D-SUB CABLE	
	089G1738JAA 23	D-SUB CABLE 1800mm 32F3018003	
	089G420A18NISC	POWER CORD 32-D001922	
	089G176C 55N08	FFC Cable 55P 171MM/32-D023924	
	089G176C 15N31	FFC Cable 15P 356MM/32-D023926	
	089G 173 56 46	AUDIO CABLE 1800mm 32F2818004	
	089G 173 56600	AUDIO CABLE 1.8M 32F2818011	
	017G KBN01ITC C	Key board 35-D023724	
	N40G 22N680 3A	SAFETY LABEL- 77-D024594	
	N41G7800680 7B	QSG FOR VW223	
	N41G780P680 4A	tw warranty card zbd	

	N40G0001680 4A	S/N LABEL FOR WARRANTY CARD- 77-D025155	
	Q45G 76 28 RN R	PE BAG MANUAL	
	Q45G 76 28V13 R	pe bag	
	017G MBN3SUSIC000	MB 35-D024659/BIOS 22R00101/004080407	
	N34G0135 ZK 1A CM	SEAT	
	0Q1G 140 10120	SCREW	
	N37G0026 1 CX	HINGE	
	N34G0176 ZK 1B CM	REAR 40-D023963	
	N45G 88606013 DS	pe bag for base	
	N12G6300003	RUBBER CAP 40-D000227	
	089G 728CAA DB	D-SUB CABLE	
	089G1738JAA 23	D-SUB CABLE 1800mm 32F3018003	
	089G420A18NISC	POWER CORD 32-D001922	
	089G 173 56 46	AUDIO CABLE 1800mm 32F2818004	
	089G 173 56600	AUDIO CABLE 1.8M 32F2818011	
	017G KBN01ITC C	Key board 35-D023724	
	F40G 22N680 3A	SAFETY LABEL	
	N41G7800680 7B	QSG FOR VW223	
	N41G780P680 4A	tw warranty card zbd	
	N40G0001680 4A	S/N LABEL FOR WARRANTY CARD- 77-D025155	
	Q45G 76 28 RN R	PE BAG MANUAL	
	Q45G 76 28V13 R	pe bag	
	017G MBN3SUSIC000	MB 35-D024659/BIOS 22R00101/004080407	
	080G L22N03 DE	Power board 27-D023530	
	080G L22N04 C	Power board 27-D023531	
	089G176C 15N31	FFC Cable 15P 356MM/32-D023926	
	089G176C 55N08	FFC Cable 55P 171MM/32-D023924	

VW223D

Diversity of TC8MRGNBWAUANN compared with TC8MRGNBWAUSA			
Location	Part No.	Description	Remark
	089G410A18N IS	POWER CORD 32E1818020	
	089G410A18NISC	POWER CORD 32E1818020	
	089G420A18N IS	POWER CORD 32-D001922	
	089G420A18NISC	POWER CORD 32-D001922	
	N40G0001680 1A	TAIWAN LABEL- 77-D023834	
	N41G780P680 4A	tw warranty card zbd	
	N37G0026 1	HINGE ASSY 41-D023880	
	N34G0135 ZK 1B CM	SEAT	
	N45G 88606012 DS	pe bag for base	
	N34G0140 ZK 4B CM	REARCOVER	
	N07G 8 A 2 RW	PALLET	
	089G410A18N IS	POWER CORD 32E1818020	
	089G410A18NISC	POWER CORD 32E1818020	
	CBPCRRLVSS2	CONVERSION BAORD	
	080G L19 7HIB	POWER BOARD	
	078G 516N00 KR	SPK 8OHM 1W 80*17*10(right)	
	078G 516N00 KL	SPK 8OHM 1W 80*17*10(left)	
	N34G0135 ZK 1B CM	SEAT	

	N45G 88606012 DS	pe bag for base	
	N37G0026 1	HINGE ASSY 41-D023880	
	N34G0140 ZK 4B CM	REARCOVER	