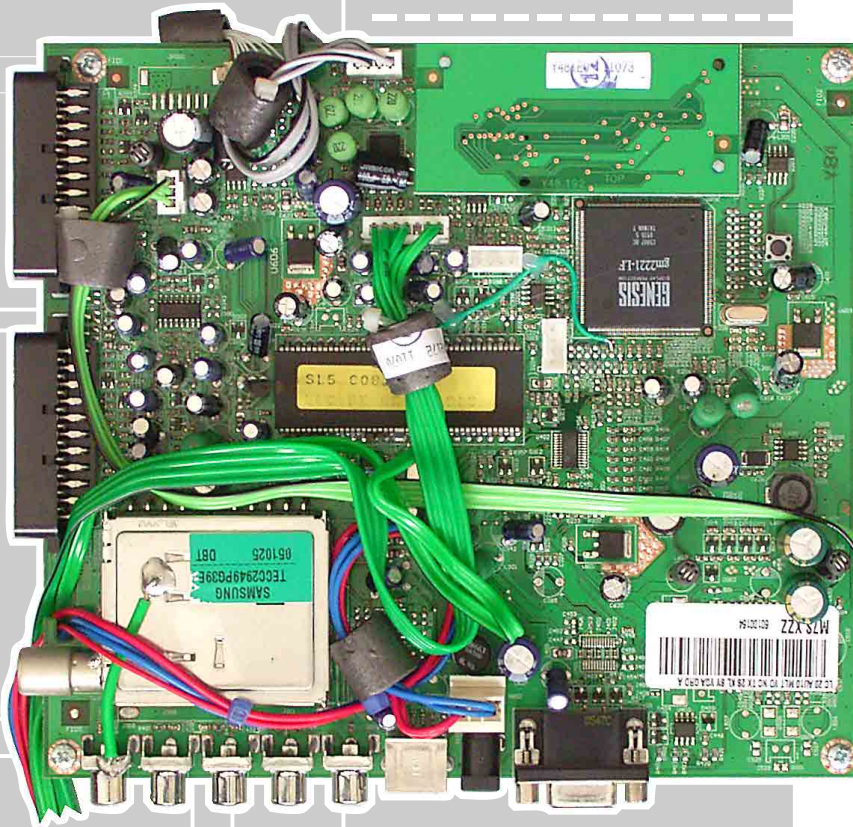


NUR FÜR INTERNEN GEBRAUCH
FOR INTERNAL USE ONLY



Chassis L5C-14"...20" (LC)

Amira 15 LCD 38-6605 BS	GBE4800
Amira 17 LW 45-6605 BS	GBE4700
Amira 20 LCD 51-6605 BS	GBE4600
Davio 20 LCD 51-4505 Top	GBE5600
Lenaro 20 LCD 51-7606 Top	GBD2600
Monaco 20 LCD 51-9622 DL LCD 51-9622 DL	GBE4000 GBF0300
Vision 20 LCD 51-8610 Top LCD 51-8610 Top	GBE3800 GBF0800
Xephia 15 LCD 38-5501 Top	GBE4900

Zusätzlich erforderliche Unterlagen für den Komplettservice
Additionally required Service Documents for the Complete Service

Service Manual

Sicherheit
Safety

Materialnr./Part No.
72010800001

Es gelten die Vorschriften und Sicherheitshinweise gemäß dem Service Manual "Sicherheit", Materialnummer 720108000001, sowie zusätzlich die eventuell abweichenden, landesspezifischen Vorschriften!



The regulations and safety instructions shall be valid as provided by the "Safety" Service Manual, part number 720108000001, as well as the respective national deviations.

Inhaltsverzeichnis

	Seite
Allgemeiner Teil	1-2...1-12
Allgemeine Hinweise	1-2
Technische Daten	1-3
Bedienhinweise	1-7
Service- und Sonderfunktionen	1-11
Platinenabbildungen und Schaltpläne	2-1...2-26
Blockschaltplan	2-1
Hauptplatte QW1190-3	2-2
– Netzteil	2-6
– Tuner	2-6
– IN/OUT, CVT-IF	2-7
– VGA-Eingang und RGB-Umschalter	2-8
– Audio-Umschalter	2-9
– Kopfhörer	2-9
– Inverter-Steuerung	2-9
– Verstärker	2-10
– Scaler	2-10
Hauptplatte QW1190-8	2-12
– Netzteil	2-16
– Tuner	2-16
– IN/OUT, CVT-IF	2-17
– VGA-Eingang und RGB-Umschalter	2-18
– Audio-Umschalter	2-19
– Kopfhörer	2-19
– Inverter-Steuerung	2-19
– Verstärker	2-20
– Scaler	2-20
Zusatzplatte "Daughter Board" (Y48192, Y48194)	2-22
Bedieneinheiten (ZG8191, ZG9191, ZN2191)	2-23
Bedieneinheiten (ZN7191, ZP3191, ZR6191)	2-24
Bedieneinheit (ZR7191)	2-25
IR/LED-Platte (ZG5192, ZP3193, ZP8191)	2-25
Kopfhörer-Platte (8R9198)	2-26
Netzschalter-Platten (ZG9193, ZP3195, ZR6192)	2-26
Ersatzteillisten	3-1...3-10

Allgemeiner Teil

Allgemeine Hinweise

Vor dem Öffnen des Gehäuses den Netzstecker ziehen!

Achtung: ESD-Vorschriften beachten 

Leitungsverlegung

Bevor Sie die Leitungen und insbesondere die Masseleitungen lösen, muss die Leitungsverlegung zu den einzelnen Baugruppen beachtet werden. Nach erfolgter Reparatur ist es notwendig, die Leitungsführung wieder in den werkseitigen Zustand zu versetzen um evtl. spätere Ausfälle oder Störungen zu vermeiden.

Durchführen von Messungen

Bei Messungen mit dem Oszilloskop an Halbleitern sollten Sie nur Tastköpfe mit 10:1 - Teiler verwenden. Außerdem ist zu beachten, dass nach vorheriger Messung mit AC-Kopplung der Koppelkondensator des Oszilloskops aufgeladen sein kann. Durch die Entladung über das Messobjekt können Bauteile beschädigt werden.

Messwerte und Oszillogramme

Bei den in den Schaltplänen und Oszillogrammen angegebenen Messwerten handelt es sich um Näherungswerte!

Table of Contents

	Page
General Section	1-2...1-12
General Notes	1-2
Technical Data	1-3
Operating Hints	1-9
Service and Special Functions	1-11
Layout of the PCBs and Circuit Diagrams	2-1...2-26
Block Circuit Diagram	2-1
Main Board QW1190-3	2-2
– Power Supply	2-6
– Tuner	2-6
– IN/OUT, CVT-IF	2-7
– VGA Input and RGB Switches	2-8
– Audio Switches	2-9
– Headphone	2-9
– Inverter Control	2-9
– Amplifier	2-10
– Scaler	2-10
Main Board QW1190-8	2-12
– Power Supply	2-16
– Tuner	2-16
– IN/OUT, CVT-IF	2-17
– VGA Input and RGB Switches	2-18
– Audio Switches	2-19
– Headphone	2-19
– Inverter Control	2-19
– Amplifier	2-20
– Scaler	2-20
Daughter Board (Y48192, Y48194)	2-22
Keyboards (ZG8191, ZG9191, ZN2191)	2-23
Keyboards (ZG8191, ZG9191, ZN2191)	2-24
Keyboard (ZR7191)	2-25
IR/LED Board (ZG5192, ZP3193, ZP8191)	2-25
Headphone Board (8R9198)	2-26
Power Switch Boards (ZG9193, ZP3195, ZR6192)	2-26
Spare Parts Lists	3-1...3-10

General Section

General Notes

Before opening the cabinet disconnect the mains plug!

Attention: Observe the ESD safety regulations 

Wiring

Before disconnecting any leads and especially the earth connecting leads observe the way they are routed to the individual assemblies. On completion of the repairs the leads must be laid out as originally fitted at the factory to avoid later failures or disturbances.

Carrying out Measurements

When making measurements on semi-conductors with an oscilloscope, ensure that the test probe is set to 10:1 dividing factor. If the previous measurement was made on AC input, please note that the coupling capacitor in the oscilloscope will be charged. Discharge via the item being checked can damage the components.

Measured Values and Oscillograms

The measured values given in the circuit diagrams and oscillograms are approximates!

Displayvarianten

Je nach Verfügbarkeit werden Displays verschiedener Hersteller eingebaut. Dies führt zu unterschiedlichen Chassis-Bestückungen, sowie zu Änderungen in der Software. Bei Ersatzteilbestellungen und Software-Updates achten Sie bitte auf das eingebaute Display, sowie auf den "Product Code". Angaben dazu finden Sie auf der Geräterückseite. Sollte in der Ersatzteilliste eine Displayvariante nicht aufgeführt sein, wenden Sie sich bitte an die technische Hotline.

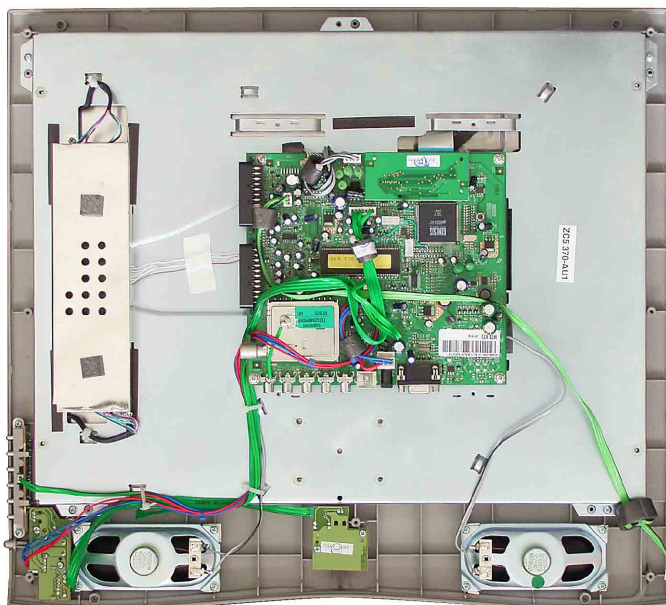
Überprüfen Sie vor Austausch der Hauptplatte, ob die Aufkleber der Platinen identisch sind.



Display Variants

Depending on availability displays of different manufacturer are built in. This results in different chassis mountings as well as a different software. On spare parts orders as well as software updates take care of the fitted display as well as of the "Product Code". Therefore you can find information on the labels on the rear side. If a display variant is not mentioned in the spare parts list please contact the technical hotline.

Before changing the main board please check whether the labels on the boards are identical.



Technische Daten / Technical Data

	Amira 15 LCD 38-6605 BS	Amira 17 LW 45-6605 BS	Amira 20 LCD 51-6605 BS	Davio 20 LCD 51-4505 TOP
Order No.	G.BE 48-00	G.BE 47-00	G.BE 46-00	G.BE 56-00
Destination	D,GB,F,I,NL,DK,N,S,FIN,E,P,PL,TR	D,GB,F,I,NL,DK,N,S,FIN,E,P,PL,TR	D,GB,F,I,NL,DK,N,S,FIN,E,P,PL,TR	D,F,I,E,P,PL
Approbations	CE,CB,I,C-TICK,ME67	CE,I,C-TICK,ME67	CE,CB,I,C-TICK,ME67	CE,CB,I,ME67
IM-Languages	D, CH, I, F, E, P, NL, Nordic, PL, H, HR, CZ, CIS	CH, E, P, Nordic, HR, CZ, CIS	D, CH, I, F, E, NL, Nordic, PL, HR, CIS	D, CH, F, I, E, P, PL, CIS, HR
Remote control	TP 160 C	TP 160 C	TP 160 C	TP 160 C
Develop. order No.	M3Z	M4A	M3J	M3M
EAN	40 13833-60377 1	40 13833-60376 4	40 13833-60375 7	40 13833-60448 8
Color	silver	silver	silver	silver
DISPLAY				
Panel	15" / 38cm	20" / 51cm	20" / 51cm	20" / 51cm
	Active Matrix TFT-LC-Display	Active Matrix TFT-LC-Display	Active Matrix TFT-LC-Display	Active Matrix TFT-LC-Display
16:9 wide-screen format	○	○	○	○
Response time	ca. 16ms	ca. 16ms	ca. 16ms	ca. 16ms
Brightness	ca. 450cd/m2	ca. 450cd/m2	ca. 450cd/m2	ca. 450cd/m2
Contrast ratio	ca. 500:1	ca. 500:1	ca. 500:1	ca. 500:1
Viewing angle ca.	135° vertical / 160° horizontal	140° vertical / 160° horizontal	140° vertical / 160° horizontal	140° vertical / 160° horizontal
Physical display resolution max. pixel	XGA 1024 x 768	VGA 640 x 480	VGA 640 x 480	VGA 640 x 480
PICTURE				
Digital Reference-Technology	○	○	○	○
Motion Adaptive Deinterlacing	○	○	○	○
Line Flicker Reduction	○	○	○	○
Digital Color Transition Improv. (DCTI)	○	○	○	○
Digital Combfilter	●	●	●	●
Digital Luminance Transition Improv. (DLTI)	○	○	○	○
Picture Noise Reduction (DNR)	○	○	○	○
CCS (Clear Color Screen)	○	○	○	○
Preset picture modes	user, natural, rich, soft	user, natural, rich, soft	user, natural, rich, soft	user, natural, rich, soft
Aspect ratios (Format switching)	Auto (WSS), 4:3 / 16:9	Auto (WSS), 4:3 / 16:9	Auto (WSS), 4:3 / 16:9	Auto (WSS), 4:3 / 16:9
Blackline detection	○	○	○	○
PIP	○	○	○	○
Multifold Tuner scan (Mosaic Picture)	○	○	○	○
PAT: Split screen (PICTURE + TEXT)	○	○	○	○
PAP: Double Window (PICTURE + PICTURE)	○	○	○	○
P2AT: Double Window + TXT	○	○	○	○
POP: PICTURE on PICTURE	○	○	○	○
Picture freezing	○	○	○	○
Zoom with point function	○	○	○	○
Auto 16:9 selection via Scart	●	●	●	●
Sharpness control	●	●	●	●
Blue Background	●	●	●	●

	Amira 15 LCD 38-6605 BS	Amira 17 LW 45-6605 BS	Amira 20 LCD 51-6605 BS	Davio 20 LCD 51-4505 TOP
CHASSIS				
TV-Chassis	LC	LC	LC	LC
Progressive	○	○	○	○
Tuner	PLL frequency synthesizer tuning	PLL frequency synthesizer tuning	PLL frequency synthesizer tuning	PLL frequency synthesizer tuning
µ-Processor	GM2221	GM2221	GM2221	GM2221
Keyboard	5 keys: menue, ± for programme, ± for volume	5 keys: menue, ± for programme, ± for volume	5 keys: menue, ± for programme, ± for volume	5 keys: menue, ± for programme, ± for volume
ELECTRONIC				
Stand by indicator	red LED	red LED	red LED	red LED
EPG (Electronic Programme Guide)	○	○	○	○
Easy Dialog	○	○	○	○
Megalogic	○	○	○	○
Manual & autom. labeling of prog.	●	●	●	●
Programmable off timer	●	●	●	●
Programmable on timer	●	●	●	●
Intelligent channel search (Zapping funct.)	●	●	●	●
Programme Edit	●	●	●	●
Intelligent Programme Switch	○	○	○	○
Auto switch off	○	○	○	○
Programme memory TV/AV (opt.)	99 / 4	99 / 5	99 / 5	99 / 5
Teletext/Fasttext/Toptext	● / ● / ●	● / ● / ●	● / ● / ●	● / ● / ●
Teletext options	10 pages	10 pages	10 pages	10 pages
Childlock	●	●	●	●
Menue languages OSD	22 languages, D, GB, F, I, E, P, NL, HR, RUS, GR, DK, S, FIN, N, TR, PL, CZ, SK, SLO, H, RO, BG	22 languages, D, GB, F, I, E, P, NL, HR, RUS, GR, DK, S, FIN, N, TR, PL, CZ, SK, SLO, H, RO, BG	22 languages, D, GB, F, I, E, P, NL, HR, RUS, GR, DK, S, FIN, N, TR, PL, CZ, SK, SLO, H, RO, BG	22 languages, D, GB, F, I, E, P, NL, HR, RUS, GR, DK, S, FIN, N, TR, PL, CZ, SK, SLO, H, RO, BG
SWAP (Recall function)	●	●	●	●
Service mode	●	●	●	●
Hotel mode	Simple hotel mode possible via service adjustment	Simple hotel mode possible via service adjustment	Simple hotel mode possible via service adjustment	Simple hotel mode possible via service adjustment
TUNING				
Autom. Tuning System with country selection	full automatic sorting	full automatic sorting	full automatic sorting	full automatic sorting
Frequency Based Auto Search	○	○	○	○
Automatic Micro-search	●	●	●	●
Automatic Programming	○	○	○	○
Manual fine tuning	●	●	●	●
Direct channel selection	○	○	○	○
Direct frequency selection	○	○	○	○
PAL/SECAM/BG/DK/I/L/L	●, SECAM L/L available from end of January 2006 onwards	●, SECAM L/L available from end of January 2006 onwards	●, SECAM L/L available from end of January 2006 onwards	●, SECAM L/L available from end of January 2006 onwards
NTSC-Playback via Scart (3.58/4.43)	●	●	●	●
Cable TV / Hyperband (S1-S41)	●	●	●	●
AUDIO				
Mono/Stereo/Nicam	● / ● / ●	● / ● / ●	● / ● / ●	● / ● / ●
AV Stereo	●	●	●	●
Loudspeaker	2 wide band lateral	2 wide band lateral	2 wide band lateral	2 wide band lateral
Virtual Dolby	○	○	○	○
Magic Fidelity Sound System	○	○	○	○
Matched Sound Delay (Lip synchronous)	○	○	○	○
Subwoofer	○	○	○	○
Dynamic Bass	○	○	○	○
DSP (Digital Sound Processor)	○	○	○	○
Balance Adjustment	●	●	●	●
AVL (Audio Volume Level)	●	●	●	●
PIP listening via Headphone.jack	○	○	○	○
Equalizer	5 Band	5 Band	5 Band	5 Band
Space Sound Effect	●	●	●	●
Audio mode	cinema, music, sport, speech, user	cinema, music, sport, speech, user	cinema, music, sport, speech, user	cinema, music, sport, speech, user
Audio amplifier	2 x 2 / 3W (nominal/music)	2 x 5 / 10W (nominal/music)	2 x 5 / 10W (nominal/music)	2 x 5 / 10W (nominal/music)
POWER SUPPLY / CABINET				
Power voltage	100 - 240V, 50/60Hz	100 - 240V, 50/60Hz	100 - 240V, 50/60Hz	100 - 240V, 50/60Hz
Power switch	stand-by switch	○	○	○
Integrated supply	○	○	○	○
Plug-in AC adaptor	AC/DC-Adaptor 12V- / 4A	AC/DC-Adaptor 15V- / 5A	AC/DC-Adaptor 15V- / 5A	AC/DC-Adaptor 15V- / 5A
Power consumption	ca. 40W, standby < 3W	ca. 70W, standby < 3W	ca. 70W, standby < 3W	ca. 70W, standby < 3W
Cabinet (WxHxD, cm) / Weight	44 x 36 x 6,5cm (16cm with stand) / ca. 4,4kg	58 x 44 x 8cm (19,5cm with stand) / ca. 8kg	58 x 44 x 8cm (19,5cm with stand) / ca. 8kg	50,4 x 46,0 x 7,9cm (17,7cm with stand) / ca. 8,6kg
FRONT PANEL CONNECTIONS				
Headphones	○	○	○	○
Cinch-AV socket	○	○	○	○
S-Video	○	○	○	○
REAR PANEL CONNECTIONS				
Euro-AV-socket AV1	CVBS in-/output, RGB input	CVBS in-/output, RGB input	CVBS in-/output, RGB input	CVBS in-/output, RGB input
Euro-AV Socket AV2	○	CVBS in-/output	CVBS in-/output	CVBS in-/output
Euro-AV Socket AV3	○	○	○	○
S-Video	Hosiden	Hosiden	Hosiden	Hosiden
Camera-AV	3x Cinch socket in	3x Cinch socket in	3x Cinch socket in	3x Cinch socket in
Wireless	○	○	○	○
YUV input / progressive	○	○	○	○
PC-input	Multisync XGA	VGA	VGA	VGA
PC-Audio in	○	○	○	○
DVI	○	○	○	○
HDMI	○	○	○	○
HD ready including HDCP	○	○	○	○
Headphones	3,5mm jack	3,5mm jack	3,5mm jack	3,5mm jack
Audio out	2 x Cinch	2 x Cinch	2 x Cinch	2 x Cinch
Antenna for terrestrial reception	1 x Coaxial-socket for TV-tuner-in, according to DIN 45325	1 x Coaxial-socket for TV-tuner-in, according to DIN 45325	1 x Coaxial-socket for TV-tuner-in, according to DIN 45325	1 x Coaxial-socket for TV-tuner-in, according to DIN 45325
DC-connector	●	●	●	●
Power supply plug	○	○	○	○
SUPPLIED ACCESSORIES				
Remote control (incl. battery)	TP 160 C silver	TP 160 C silver	TP 160 C silver	TP 160 C silver
Power cord	AC/DC-Adaptor 12V- / 4A, power cord (non grounded) lengthmin. 1,5m	AC/DC-Adaptor 15V- / 5A, power cord (non grounded) lengthmin. 1,5m	AC/DC-Adaptor 15V- / 5A, power cord (non grounded) lengthmin. 1,5m	AC/DC-Adaptor 15V- / 5A, power cord (non grounded) lengthmin. 1,5m
Cables	○	○	○	○
Instruction manual	●	●	●	●
Circuit diagram	●	●	●	●
Wall fixture	Prepared for VESA standard adaptor 75 x 75	Prepared for VESA standard adaptor 100 x 100	Prepared for VESA standard adaptor 100 x 100	Prepared for VESA standard adaptor 100 x 100
Warning sticker in rear panel	●	●	●	●
Warranty info	●	●	●	●

	Lenaro 20 LCD 51-7606 TOP	Monaco 20 LCD 51-9622 DL	Vision 20 LCD 51-8610 TOP	Xephia 15 LCD 38-5501 TOP
Order No.	G.BD 26-00	G.BE 40-00, G.BF 03-00	G.BE 38-00, G.BF 08-00	G.BE 49-00
Destination	D,F,I,E,PL	D,GB,F,I,NL,DK,N,S,FIN,E,P,PL,TR	D,GB,F,I,NL,DK,N,S,FIN,E,P,PL,TR	FNL
Approbations	CE, I, ME67	CE, I, C-TICK, ME67	CE, CB, I, C-TICK, ME67	CE
IM-Languages	D, CH, I, E, PI, H, CIS, CZ	All NSOs	All NSOs	F
Remote control	TP 160 C	TP 160 C	TP 160 C	TP 160 C
Develop. order No.	M7T	M3L/M7S, R2A	M3K, R1Z	M4D
EAN	40 13833-60015 2	40 13833-60328 3, 40 13833-60656 7	40 13833-60326 9, 40 13833-60662 8	40 13833-60386 3
Color	silver/black	silver/black	black	silver
DISPLAY				
Panel	20" / 51cm Active Matrix TFT-LC-Display	20" / 51cm Active Matrix TFT-LC-Display	20" / 51cm Active Matrix TFT-LC-Display	15" / 38cm Active Matrix TFT-LC-Display
16:9 wide-screen format	○	○	○	○
Response time	ca. 20ms	ca. 16ms	ca. 16ms	ca. 16ms
Brightness	ca. 500cd/m2	ca. 450cd/m2	ca. 450cd/m2	ca. 450cd/m2
Contrast ratio	ca. 800:1	ca. 500:1	ca. 500:1	ca. 500:1
Viewing angle ca.	170° vertical / 170° horizontal	140° vertical / 160° horizontal	140° vertical / 160° horizontal	140° vertical / 160° horizontal
Physical display resolution max. pixel	VGA 640 x 480	VGA 640 x 480	VGA 640 x 480	XGA 1024 x 768
PICTURE				
Digital Reference-Technology	○	○	○	○
Motion Adaptive Deinterlacing	○	○	○	○
Line Flicker Reduction	○	○	○	○
Digital Color Transition Improv. (DCTI)	○	●	●	○
Digital Combfilter	●	●	●	●
Digital Luminance Transition Improv. (DLTI)	○	●	●	○
Picture Noise Reduction (DNR)	○	○	○	○
CCS (Clear Color Screen)	○	○	○	○
Preset picture modes	user, natural, rich, soft	user, natural, rich, soft	user, natural, rich, soft	user, natural, rich, soft
Aspect ratios (Format switching)	○	Auto (WSS), 4:3 / 16:9	Auto (WSS), 4:3 / 16:9	Auto (WSS), 4:3 / 16:9
Blackline detection	○	○	○	○
PIP	○	○	○	○
Multifold Tuner scan (Mosaic Picture)	○	○	○	○
PAT: Split screen (PICTURE + TEXT)	○	○	○	○
PAP: Double Window (PICTURE + PICTURE)	○	○	○	○
P2AT: Double Window + TXT	○	○	○	○
POP: PICTURE on PICTURE	○	○	○	○
Picture freezing	○	○	○	○
Zoom with point function	○	○	○	○
Auto 16:9 selection via Scart	●	●	●	●
Sharpness control	●	●	●	●
Blue Background	●	●	●	●
CHASSIS				
TV-Chassis	LC	LC	LC	LC
Progressive	○	○	○	○
Tuner	PLL frequency synthesizer tuning	PLL frequency synthesizer tuning	PLL frequency synthesizer tuning	PLL frequency synthesizer tuning
µ-Processor	GM2221	GM2221	GM2221	GM2221
Keyboard	6 keys: menue, ± for programme, ± for volume, AV/TV	5 keys: menue, ± for programme, ± for volume	5 keys: menue, ± for programme, ± for volume	5 keys: menue, ± for programme, ± for volume
ELECTRONIC				
Stand by indicator	red LED	blue LED	blue LED	red LED
EPG (Electronic Programme Guide)	○	○	○	○
Easy Dialog	○	○	○	○
Megalogic	○	○	○	○
Manual & autom. labeling of prog.	●	●	●	●
Programmable off timer	●	●	●	●
Programmable on timer	●	●	●	●
Intelligent channel search (Zapping funct.)	●	●	●	●
Programme Edit	●	●	●	●
Intelligent Programme Switch	○	○	○	○
Auto switch off	○	○	○	○
Programme memory TV/AV (opt.)	99 / 5	99 / 5	99 / 5	99 / 4
Teletext/Fasttext/Toptext	● / ● / ●	● / ● / ●	● / ● / ●	● / ● / ●
Teletext options	10 pages	10 pages	10 pages	10 pages
Childlock	●	●	●	●
Menue languages OSD	22 languages, D, GB, F, I, E, P, NL, HR, RUS, GR, DK, S, FIN, N, TR, PL, CZ, SK, SLO, H, RO, BG	22 languages, D, GB, F, I, E, P, NL, HR, RUS, GR, DK, S, FIN, N, TR, PL, CZ, SK, SLO, H, RO, BG	22 languages, D, GB, F, I, E, P, NL, HR, RUS, GR, DK, S, FIN, N, TR, PL, CZ, SK, SLO, H, RO, BG	22 languages, D, GB, F, I, E, P, NL, HR, RUS, GR, DK, S, FIN, N, TR, PL, CZ, SK, SLO, H, RO, BG
SWAP (Recall function)	●	●	●	●
Service mode	●	●	●	●
Hotel mode	Simple hotel mode possible via service adjustment	Simple hotel mode possible via service adjustment	Simple hotel mode possible via service adjustment	Simple hotel mode possible via service adjustment
TUNING				
Autom. Tuning System with country selection	full automatic sorting	full automatic sorting	full automatic sorting	full automatic sorting
Frequency Based Auto Search	○	○	○	○
Automatic Micro-search	○	○	○	○
Automatic Programming	○	○	○	○
Manual fine tuning	●	●	●	●
Direct channel selection	●	●	●	●
Direct frequency selection	○	○	○	○
PAL/SECAM/BG/DK/L/L/L	●	●, SECAM L/L available from end of January 2006 onwards	●, SECAM L/L available from end of January 2006 onwards	○
NTSC-Playback via Scart (3,58/4,43)	●	○	○	●
Cable TV / Hyperband (S1-S41)	●	●	●	●
AUDIO				
Mono/Stereo/Nicam	● / ● / ●	● / ● / ●	● / ● / ●	● / ● / ●
AV Stereo	●	●	●	●
Loudspeaker	2 wide band lateral	2 wide band lateral	2 wide band lateral	2 wide band lateral
Virtual Dolby	○	○	○	○
Magic Fidelity Sound System	○	○	○	○
Matched Sound Delay (Lip synchronous)	○	○	○	○
Subwoofer	○	○	○	○
Dynamic Bass	○	○	○	○
DSP (Digital Sound Processor)	○	○	○	○
Balance Adjustment	●	●	●	●
AVL (Audio Volume Level)	○	○	○	○
PIP listening via Headphone.jack	○	○	○	○
Equalizer	5 Band	5 Band	5 Band	5 Band
Space Sound Effect	●	●	●	●
Audio mode	cinema, music, sport, speech, user	cinema, music, sport, speech, user	cinema, music, sport, speech, user	cinema, music, sport, speech, user
Audio amplifier	2 x 5 / 10W (nominal/music)	2 x 5 / 10W (nominal/music)	2 x 5 / 10W (nominal/music)	2 x 2 / 3W (nominal/music)
POWER SUPPLY / CABINET				
Power voltage	100 - 240V, 50/60Hz	100 - 240V, 50/60Hz	100 - 240V, 50/60Hz	100 - 240V, 50/60Hz
Power switch	○	○	○	stand-by switch
Integrated supply	○	○	○	○
Plug-in AC adaptor	AC/DC-Adaptor 24V- / 5A ca. 70W, standby < 3W	AC/DC-Adaptor 15V- / 5A ca. 70W, standby < 3W	AC/DC-Adaptor 15V- / 5A ca. 70W, standby < 3W	AC/DC-Adaptor 12V- / 4A ca. 40W, standby < 3W
Power consumption				
Cabinet (WxHxD, cm) / Weight	53,5 x 47,6 x 9,5cm (19,6cm with stand) / ca. 7,5kg	50,5 x 49,5 x 8cm (19,2cm with stand) / ca. 11kg	50,5 x 49,5 x 8cm (19,2cm with stand) / ca. 11kg	39 x 36 x 9,5cm (16cm with stand) / ca. 4,4kg

	Lenaro 20 LCD 51-7606 TOP	Monaco 20 LCD 51-9622 DL	Vision 20 LCD 51-8610 TOP	Xephia 15 LCD 38-5501 TOP
FRONT PANEL CONNECTIONS				
Headphones	● (side)	○	○	○
Cinch-AV socket	3 x Cinch - Video in, Audio in L/R (side)	○	○	○
S-Video	Hosiden (side)	○	○	○
REAR PANEL CONNECTIONS				
Euro-AV-socket AV1	CVBS in-/output, RGB input	CVBS in-/output, RGB input	CVBS in-/output, RGB input	CVBS in-/output, RGB input
Euro-AV Socket AV2	CVBS in-/output	CVBS in-/output	CVBS in-/output	○
Euro-AV Socket AV3	○	○	○	○
S-Video	○	Hosiden	Hosiden	Hosiden
Camera-AV	○	3x Cinch socket in	3x Cinch socket in	3x Cinch socket in
Wireless	○	○	○	○
YUV input / progressive	○	○	○	○
PC-input	Multisync WXGA	VGA	VGA	Multisync XGA
PC-Audio in	○	○	○	○
DVI	○	○	○	○
HDMI	○	○	○	○
HD ready including HDCP	○	○	○	○
Headphones	○	3.5mm jack	3.5mm jack	3.5mm jack
Audio out	2 x Cinch	2 x Cinch	2 x Cinch	2 x Cinch
Antenna for terrestrial reception	1 x Coaxial-socket for TV-tuner-in, according to DIN 45325	1 x Coaxial-socket for TV-tuner-in, according to DIN 45325	1 x Coaxial-socket for TV-tuner-in, according to DIN 45325	1 x Coaxial-socket for TV-tuner-in, according to DIN 45325
DC-connector	●	●	●	●
Power supply plug	○	○	○	○
SUPPLIED ACCESSORIES				
Remote control (incl. battery)	TP 160 C silver	TP 160 C silver	TP 160 C black	TP 160 C silver
Power cord	AC/DC-Adaptor 24V- / 5A, power cord (non grounded) lengthmin. 1,5m	AC/DC-Adaptor 15V- / 5A, power cord (non grounded) lengthmin. 1,5m	AC/DC-Adaptor 15V- / 5A, power cord (non grounded) lengthmin. 1,5m	AC/DC-Adaptor 12V- / 4A, power cord (non grounded) lengthmin. 1,5m
Cables	VGA-monitor cable	VGA-monitor cable	○	○
Instruction manual	●	●	●	●
Circuit diagram	●	●	●	○
Wall fixture	Prepared for VESA standard adaptor 100 x 100	Prepared for VESA standard adaptor 100 x 100	Prepared for VESA standard adaptor 100 x 100	Prepared for VESA standard adaptor 75 x 75
Warning sticker in rear panel	●	●	●	○
Warranty info	●	●	●	●

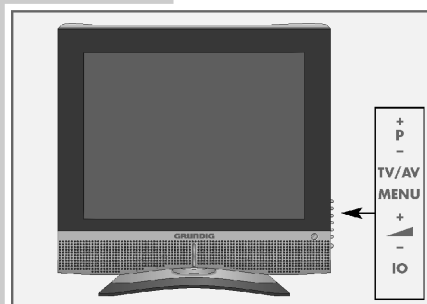
Bedienhinweise

Dieses Kapitel enthält Auszüge aus der Bedienungsanleitung.

Weitergehende Informationen entnehmen Sie bitte der gerätespezifischen Bedienungsanleitung, deren Materialnummer Sie in der entsprechenden Ersatzteilliste finden.

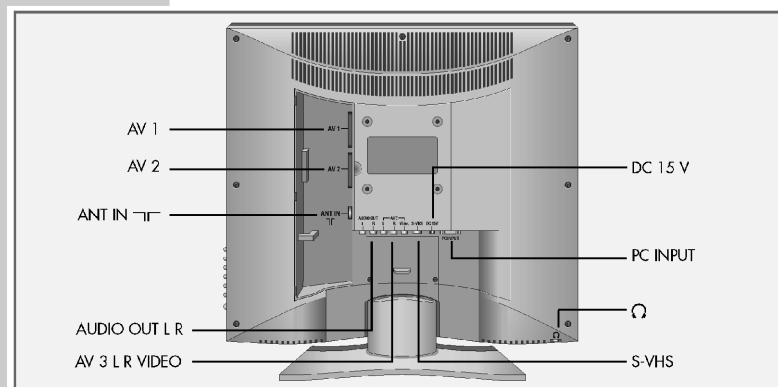
AUF EINEN BLICK

Die Bedienelemente des Fernsehgerätes



- + P -** Schalten das Fernsehgerät aus Stand-by ein; schrittweise Programmwahl.
- TV/AV** Wählt AV-Programmplätze und das zuletzt gesehene Fernseh-Programm.
- MENU** Ruft das Menü »INFO« auf.
- + -** Verändern die Lautstärke.
- IO** Schaltet das Fernsehgerät in Stand-by und wieder aus.

Die Anschlüsse des Fernsehgerätes



- AV 1** Euro/AV-Buchse (FBAS, RGB).
- AV 2** Euro/AV-Buchse (FBAS).
- ANT IN** Antennenbuchse.
- AUDIO OUT L R** Tonsignal-Ausgang.
- AV 3 L R VIDEO** Ton-/Bildsignal-Eingang.
- S-VHS** Bildsignal-Eingang S-VHS.
- Kopfhöreranschluss (3,5 mm ø Klinke).
- PC INPUT** VGA Anschluss für PC.
- DC 15V** Anschlussbuchse für Netzteil.

DEUTSCH

7

AUF EINEN BLICK

Die Fernbedienung



- Schaltet das Fernsehgerät ab (Stand-by).
- PIP** Taste ohne Funktion.
- Schaltet das Bildformat um.
- /--** Schaltet um zwischen Programmplatz PC und TV-Betrieb; schaltet auf doppelte Zeichengröße im Videotext-Betrieb.
- 1...0** Schalten das Fernsehgerät aus Stand-by ein; wählen Programme direkt.
- Ton ein/aus (stummschalten).
- i** Ruft das Menü »INFO« auf und schaltet es wieder ab; schaltet alle Menüs ab.
- Z** Zapp-Funktion.
- P+, P-** Schalten das Fernsehgerät aus Stand-by ein; wählen Programme schrittweise; bewegen Cursor nach oben/unten.
- Ändern die Lautstärke; bewegen Cursor nach links/rechts.
- OK** Ruft die Programmebelegung auf; aktiviert verschiedene Funktionen.
- TXT** Schaltet um zwischen Videotext-Betrieb und TV-Betrieb.
- AV** Wählt AV-Programmplätze und das zuletzt gesehene Fernseh-Programm.
- SCAN** Antwortfreigabe im Videotext-Betrieb.
- PAP** Seitenstopp im Videotext-Betrieb.
- SIZE** Wählt Unterseiten im Videotext-Betrieb.
- POS** Aktualisiert eine Seite im Videotext-Betrieb.

8

AUF EINEN BLICK



Wählt verschiedenen Bildeinstellungen an; blättert im Videotext-Betrieb eine Seite zurück.



Uhrzeit ein; blättert im Videotext-Betrieb zur nächsten Seite.



Wählt gewünschtes Kapitel im Videotext-Betrieb. Wählt verschiedenen Toneinstellungen an; wählt gewünschtes Thema im Videotext-Betrieb.



VCR, SAT DVD Schaltet auf die Bedienung eines GRUNDIG Video-recorders, GRUNDIG Satelliten-Receivers oder GRUNDIG DVD-Players.

Entsprechende Taste (»VCR«, »SAT«, »DVD«) gedrückt halten. Anschließend gewünschte Taste drücken.

Hinweis:

Welche Funktionen Sie ausführen können, hängt von der Ausstattung des Gerätes ab. Probieren Sie es einfach aus.

KOMFORT-FUNKTIONEN

Komfortfunktionen mit dem Menü »SONDER-FUNKTIONEN«

- 1 Menü »INFO« mit »i« aufrufen.
– Das Menü »INFO« wird eingeblendet.
- 2 Zeile »SONDERFUNKTIONEN« mit »P+« oder »P-« anwählen und mit »OK« bestätigen.

Hinweis:

Die weitere Bedienung entnehmen Sie den folgenden Kapiteln.

Sprache der Benutzerführung ändern

- 1 Zeile »SPRACHE« mit »P+« oder »P-« anwählen und mit »OK« bestätigen.
– Das Menü »SPRACHE« wird eingeblendet.
- 2 Gewünschte Sprache mit »P+«, »P-«, »◀« oder »▶« wählen und mit »OK« bestätigen.
- 3 Einstellung mit »i« beenden.

Kindersicherung

Mit dieser Funktion können einzelne Programmplätze gesperrt werden, der Bildschirm ist dunkel.

- 1 Programmplatz, der gesperrt werden soll, mit »1...0« wählen.
- 2 Menü »INFO« mit »i« aufrufen.
- 3 Zeile »SONDERFUNKTIONEN« mit »P+« oder »P-« anwählen und mit »OK« bestätigen.
- 4 Zeile »KINDERSICHERUNG« mit »P+« oder »P-« anwählen.
- 5 Kindersicherung mit »◀« oder »▶« aktivieren (EIN).
- 6 Einstellung mit »i« beenden.

Hinweis:

Zum Freigeben des Programmplatzes Einstellung wiederholen und in Pkt. 5 Kindersicherung ausschalten (AUS).

Uhrzeit eingeben

- 1 Zeile »UHR« mit »P+« oder »P-« anwählen.
- 2 Uhrzeit mit mit »1...0« vierstellig eingeben
- 3 Einstellung mit »i« beenden.



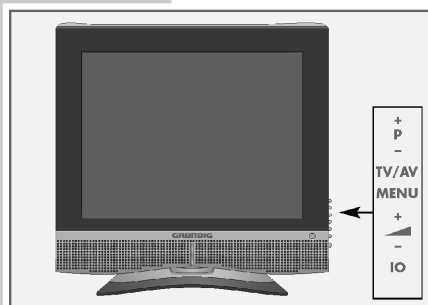
Operating Hints

This chapter contains excerpts from the operating instructions.

For further particulars please refer to the appropriate user instructions the part number of which is indicated in the relevant spare parts list.

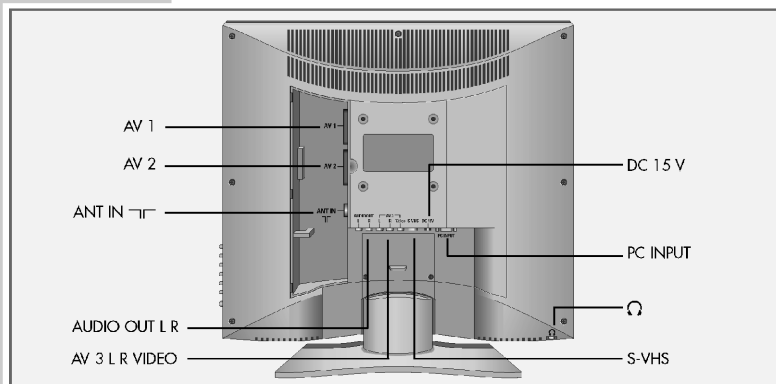
OVERVIEW

Controls on the television



- + P -** Switches the television on from standby; Channel selection.
- TV/AV** Selects the AV channels and the most recently viewed television channel.
- MENU** Opens the »INFO« menu.
- + -** Adjusts the volume.
- IO** Switches the television into and out of standby mode.

Connections on the television set



- AV 1** Euro/AV socket (FBAS, RGB).
- AV 2** Euro/AV (FBAS) socket.
- ANT IN** Antenna socket.
- AUDIO OUT L R** Audio output.
- AV 3 L R VIDEO** Audio/video input.
- S-VHS** S-VHS video input.
- Headphone** Headphone connection (3.5 mm ø jack).
- PC INPUT** VGA connection for PC.
- DC 15 V** Power pack connection socket.

OVERVIEW





The remote control



- Power** Switches off the television set (stand-by).
- PIP** Key has no function.
- Picture Format** Switches between picture formats.
- /--** Switches between the PC channel and TV mode; switches to double character size in teletext mode.
- 1...0** Switches the television on from standby mode; selects channels directly.
- Mute** Sound on/off (mute).
- i** Opens and closes the »INFO« menu; closes all menus.
- Z** Zap function.
- P+, P-** Switches the television on from standby; selects stations step by step; moves the cursor in the menu up and down.
- Left/Right** Adjusts the volume; moves the cursor left/right.
- OK** Calls up the preset channels; activates various functions.
- TXT** Switches between teletext and TV modes.
- AV** Selects the AV channels and the most recently viewed television channel.
- SCAN** Reveals answers in teletext mode.
- PAP** Page stop in teletext mode.
- SIZE** Selects the sub-pages in teletext mode.
- POS** Updates a page in teletext mode.

OVERVIEW



-  Selects various picture settings; scrolls back a page in teletext mode.
-  Time on; scrolls to the next page in teletext mode.
-  Selects the desired chapter in teletext mode.
-  Selects various audio settings; selects the desired topic in teletext mode.

VCR, SAT DVD Switches to operating a GRUNDIG video recorder, a GRUNDIG satellite receiver or a GRUNDIG DVD player.

Keep the relevant buttons (»VCR«, »SAT«, »DVD«) pressed down. Then press the button you require.

Note:

The functions available to you depend on the model of the device you are using. Just try it out.

ENGLISH



CONVENIENCE FUNCTIONS

Convenience functions with the »FEATURES« menu

- 1 Press »i« to open the »INFO« menu.
- 2 Select »FEATURES« with »P+« or »P-« and confirm with »OK«.

Note:

Further operation is explained in the following sections.

Changing the menu language

- 1 Select »LANGUAGE« with »P+« or »P-« and confirm with »OK«.
– The »LANGUAGE« menu appears.
- 2 Select the language with »P+«, »P-«, »◀« or »▶« and press »OK« to confirm.
- 3 Press »i« to finish the setting.

Parental lock

This function allows you to block certain channels, and the screen is dark.

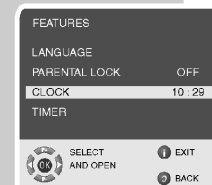
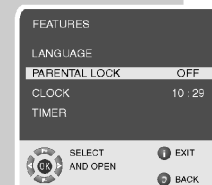
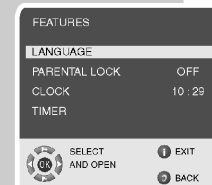
- 1 Press »1...0« to select the preset station to be blocked.
- 2 Press »i« to open the »INFO« menu.
- 3 Select »FEATURES« with »P+« or »P-« and press »OK« to confirm.
- 4 Select »PARENTAL LOCK« with »P+« or »P-«.
- 5 Activate the parental lock with »◀« or »▶« (ON).
- 6 Press »i« to finish the setting.

Note:

To release the preset channel, repeat the setting and deactivate the parental lock in step 5 (OFF).

Entering the time

- 1 Select »CLOCK« with »P+« or »P-«.
- 2 Enter the time in four digits with »1...0«.
- 3 Press »i« to finish the setting.



ENGLISH

19

Service- und Sonderfunktionen

Tastenfunktionen

- i Aufrufen des Dialog Centers
- OK Aufrufen der Service Menüs
- P+/P- Menü-Zeile (Menüpunkt) wählen
- ◀/▶ Wert ändern
- TXT Beenden des Service Mode

Service-Mode aktivieren

- Taste "i" (INFO-Menü) drücken.
- Zahlenfolge "8500" eingeben. Auf dem Bildschirm wird das Service Menü "OPTIONS" und der Softwarestand angezeigt.
- Service Menüs "ADJUSTMENTS" und "SELECTIONS" mit der Taste "OK" nacheinander aufrufen.

Service-Mode beenden

- Taste "TXT" drücken.

1. Grundeinstellwerte

Die Grundeinstellwerte im Service Mode sind in der Tabelle enthalten.

Service and Special Functions

Functions of the buttons

- i Call up the Dialog Center
- OK Call up the Service Menus
- P+/P- Call up the dialogue line (point of menu)
- ◀/▶ Changing the settings
- TXT Exit the Service Mode

Calling up the Service Mode

- Press button "i" (INFO Menu).
- Enter the code number "8500". The Service Menu "OPTIONS" and the software version number are shown on the screen.
- Step by step call up the Service Menu "ADJUSTMENTS" and "SELECTIONS" with the button "OK" .

Exit the Service Mode

- Press button "TXT".

1. Basic Settings

The table shows all basic specific settings in the service mode.

Service Menü Menu OK	Menüpunkt Point of Menu P+ / P-	Einstellung Adjustment ◀/▶	Hinweis Hint									
				Amira 15 LCD 38-6605 BS	Amira 17 LW 45-6605 BS	Amira 20 LCD 51-6605 BS	Davio 20 LCD 51-4505 TOP	Lenaro 20 LCD 51-7606 TOP	Monaco 20 LCD 51-9622 DL	Vision 20 LCD 51-8610 TOP	Xephia 15 LCD 38-5501 TOP	
OPTIONS	SCART 2		Scart 2 Buchse / Socket	OFF	ON	ON	ON	ON	ON	ON	ON	OFF
	FAV		Front-AV-Buchsen / Sockets	ON	ON	ON	ON	ON	ON	ON	ON	ON
	SVHS		S-VHS-Buchse / Socket	ON	ON	ON	ON	ON	ON	ON	ON	ON
	HOTEL MODE		Das Menü "SUCHEN / ABSTIMMUNG" ist nicht mehr aufrufbar. Die maximale Lautstärke ist begrenzt (siehe Service-Menü "ADJUSTMENTS" – "HOTEL VOLUME"). The "SETUP" Menu is not accessible. The maximum adjustable volume value is limited (see service menu "ADJUSTMENTS" – "HOTEL VOLUME").	OFF	OFF	OFF	OFF	OFF	OFF	OFF	OFF	OFF
	STBY RECALL		OFF: Netz-Ein -> Standby / Power on -> standby ON: Netz-Ein -> Programm 1 / Programme 1	OFF	OFF	OFF	OFF	OFF	OFF	OFF	OFF	OFF
	RECALL LAST AV		OFF: Netz-Ein -> Programm 1 / Power on -> Programme 1 ON: Netz-Ein -> zuletzt gesehenes AV-Programm / Power on -> last used AV programme	OFF	OFF	OFF	OFF	OFF	OFF	OFF	OFF	OFF
	MSP CARRIER MUTE		Bei schlechtem Eingangs-Signal mutet der Sound-Prozessor MSP. The Sound Processor MSP will mute the sound automatically if the signal quality is bad.	ON	ON	ON	ON	ON	ON	ON	ON	ON
	WSS RF		Automatische Bild-Formatumschaltung auf 16:9 bei Empfang des "WSS"-Signales. Automatic picture format switching to 16:9 during "WSS" signal reception.	ON	ON	ON	ON	ON	ON	ON	ON	ON
	AUTO AV 16:9		Schaltspannung an Pin 8 der AV-Buchse schaltet automatisch auf das Bild-Format 16:9. Voltage at pin 8 of AV socket, picture format is switching to 16:9.	ON	ON	ON	ON	ON	ON	ON	ON	ON
	FIRST ATS		Beim nächsten Einschalten startet das Gerät mit ATS-Suchlauf.	OFF	OFF	OFF	OFF	OFF	OFF	OFF	OFF	OFF
BACKLIGHT POL		Intensität der Hintergrundbeleuchtung / Intensity of backlight	ON	ON	ON	ON	ON	ON	ON	ON	ON	
FACTORY MODE		Service-Mode ist mit der Taste "SCAN" direkt aufrufbar. Service mode was accessible by pressing button "SCAN".	OFF	OFF	OFF	OFF	OFF	OFF	OFF	OFF	OFF	
ADJUSTMENTS	WHITE R		Weißabgleich – Rot / White adjustment – red	128	128	128	128	128	128	128	128	128
	WHITE G		Weißabgleich – Grün / White adjustment – green	128	128	128	128	128	128	128	128	128
	WHITE B		Weißabgleich – Blau / White adjustment – blue	128	128	128	128	128	128	128	128	128
	BRI		Grundeinstellwert für Helligkeit / Basic setting value for Brightness	130	130	130	130	130	130	130	130	130
	CON		Grundeinstellwert für Kontrast / Basic setting value for Contrast	158	158	158	158	158	158	158	158	158
	COL		Grundeinstellwert für Farbe / Basic setting value for Color	128	128	128	128	128	128	128	128	128
	PRESCALE FM		Grundlautstärke für FM-Ton / Basic setting value for FM sound	19	19	19	19	19	19	19	19	19
	PRESCALE NICAM		Grundlautstärke für NICAM-Ton / Basic setting value for NICAM sound	40	40	40	40	40	40	40	40	40
	PRESCALE SCART		Grundlautstärke für SCART-Ton / Basic setting value for SCART sound	16	16	16	16	16	16	16	16	16
	HOTEL VOLUME		Maximale Lautstärke im Hotel-Mode / Hotel mode – volume maximum	30	30	30	30	30	30	30	30	30
	AGC		AGC-Abgleich / AGC adjustment	19	19	19	19	19	19	19	19	19
	FACTORY RESET		Grundwerte werden geladen / Loading basic values									
	SW DOWNLOAD		Software Download									

Service Menü Menu OK	Menüpunkt Point of Menu P+ / P-	Einstellung Adjustment ◀ / ▶	Hinweis Hint	Amira 15 LCD 38-6605 BS	Amira 17 LW 45-6605 BS	Amira 20 LCD 51-6605 BS	Davio 20 LCD 51-4605 TOP	Lenaro 20 LCD 51-7606 TOP	Monaco 20 LCD 51-9622 DL	Vision 20 LCD 51-8610 TOP	Xephia 15 LCD 38-5601 TOP
SELECTIONS	TUNER TYPE	SS_TECC2949 TH_CTF554X	Eingebauten Tuner wählen Select used tuner								
	TELETEXT	FAST&TOP	FAST & TOP-Text	X	X	X	X	X	X	X	X
		FAST	FAST-Text								
		NO TEXT									
	TIMER MODE	OFF TIMER	Fester Ausschaltzeitpunkt / Fixed switch off timer	X	X	X	X	X	X	X	X
		SLEEP TIMER	Ausschaltzeitpunkt in 15...120 Minuten / sleep timer (15...120 minutes)								
	MSP CLIP	REDUCE VOL	MSP Sound-Optionen / Sound options MSP	X	X	X	X	X	X	X	X
		REDUCE TONE									
		COMPROMISE									
		DYNAMIC									
SWAP/ZAPP	ZAPP		X	X	X	X	X	X	X	X	
	SWAP										
DOLBY VIRTUAL			OFF	OFF	OFF	OFF	OFF	ON	OFF	OFF	
LTI			OFF	OFF	OFF	OFF	OFF	ON	ON	OFF	
CTI			OFF	OFF	OFF	OFF	OFF	ON	ON	OFF	

2. Austausch der Hauptplatte oder des U201

Nach dem Austausch der Hauptplatte oder des U201 sind Grundeinstellwerte im Service Mode entsprechend der Tabelle einzustellen.

3. Software-Versionsnummer

Die Software-Versionsnummer wird oben im Service-Menü angezeigt, z.B.:

L5CGNA_V1.38 - 14.04.2006
 SLC 20G-SH01-T 38 -S 6
 VCTI V 8 1
 PVCS V 38

2. Change of the Main Board or U201

After changing the Main Board or U201 all basic settings in the service mode must be done according to the table.

3. Software Version Number

The software version number is shown on the upper part of the service menu, e.g.:

L5CGNA_V1.38 - 14.04.2006
 SLC 20G-SH01-T 38 -S 6
 VCTI V 8 1
 PVCS V 38

4. Programmsuchlauf

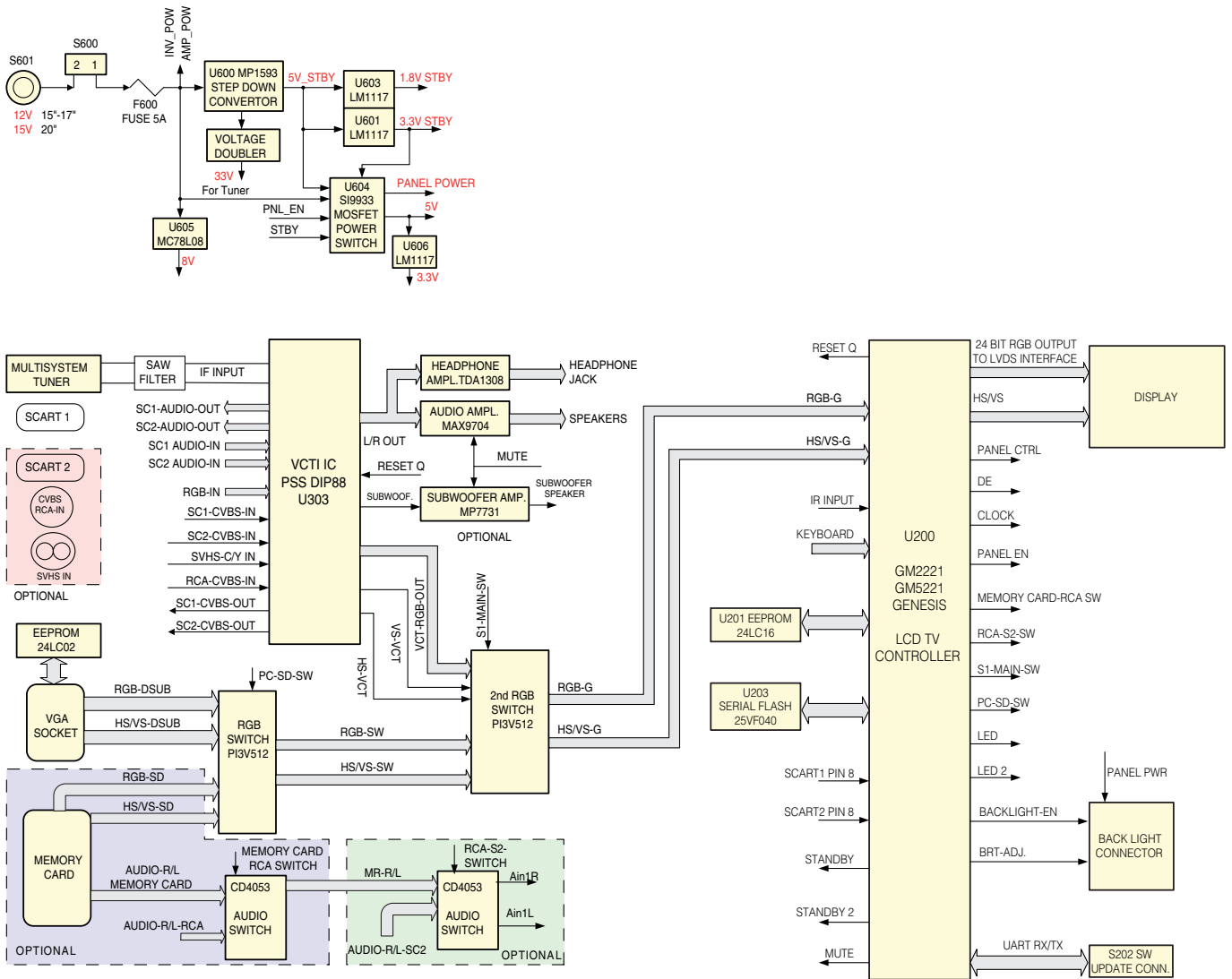
- Taste "i" (INFO-Menü) drücken.
 - "SUCHEN / ABSTIMMUNG" mit den Tasten P+ / P- anwählen und mit der Taste "MENU" bestätigen.
 - "PROGRAMMSUCHLAUF" mit den Tasten P+ / P- anwählen und mit der Taste "MENU" bestätigen.
 - Gewünschtes Land mit den Tasten P+ / P-, ◀ / ▶ auswählen und mit der Taste "OK" bestätigen.
- Das automatische Sendersuchsystem stoppt bei jedem empfangswürdigen Sender (AFC und Koinzidenz) und speichert automatisch die entsprechenden Senderdaten mit dem jeweiligen Standard. Danach wird der Suchlauf fortgesetzt.
- Zum Abbrechen des Suchlaufes die blaue Taste drücken.

4. Programme Search

- Press button "i" (INFO Menu).
 - Select "SETUP" with the buttons P+ / P- and confirm with button "MENU".
 - Select "STATION SEARCH" with the buttons P+ / P- and confirm with button "MENU".
 - Select the required Country with the buttons P+ / P-, ◀ / ▶ and confirm with button "OK".
- The autoprogrammes system stops at every station of acceptable reception quality (AFC and coincidence) and stores the station data and the respective standard automatically. The system then continues searching.
- Pressing the blue button stops the programme search.

Platinenabbildungen und Schaltpläne / Layout of PCBs and Circuit Diagrams

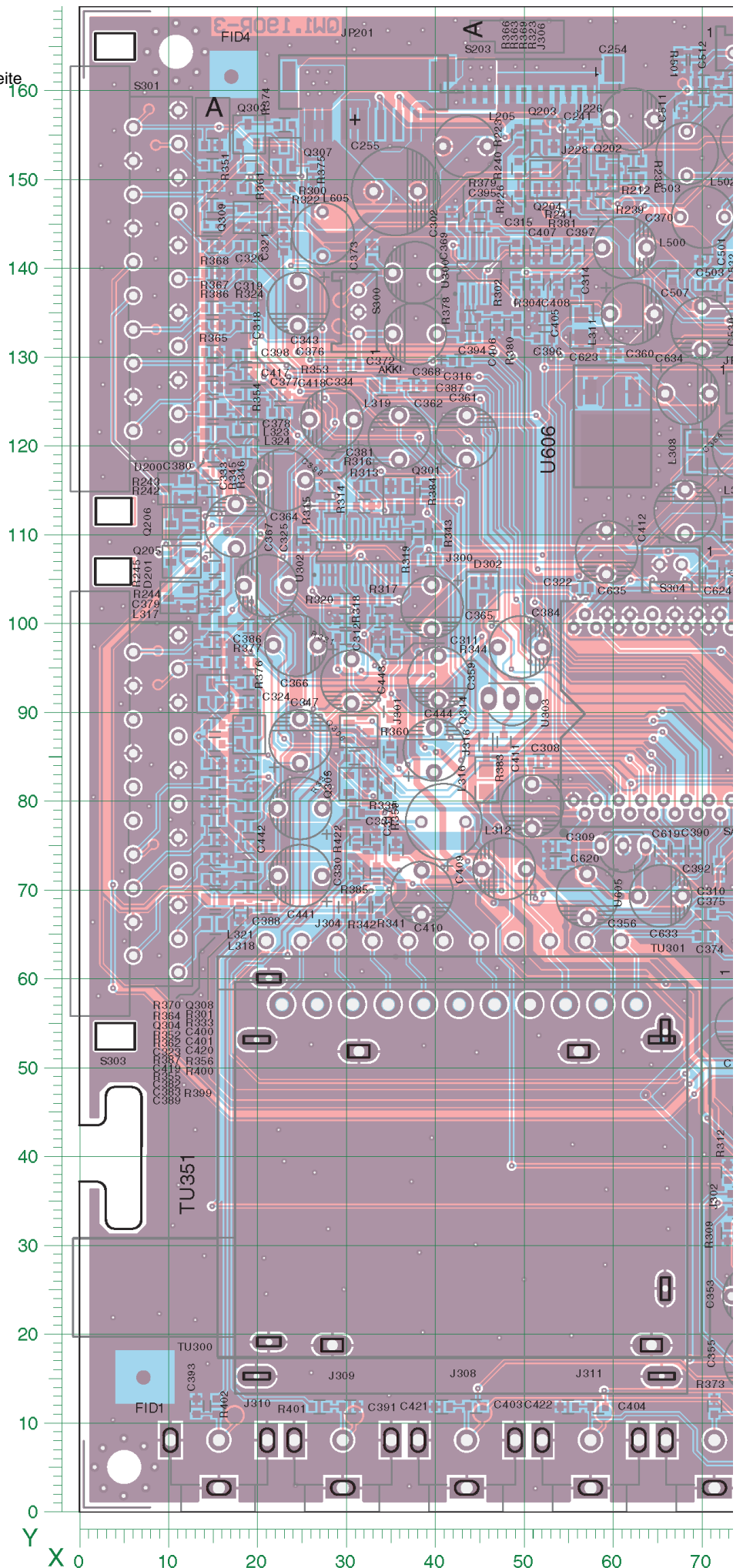
Blackschaltplan / Block Circuit Diagram

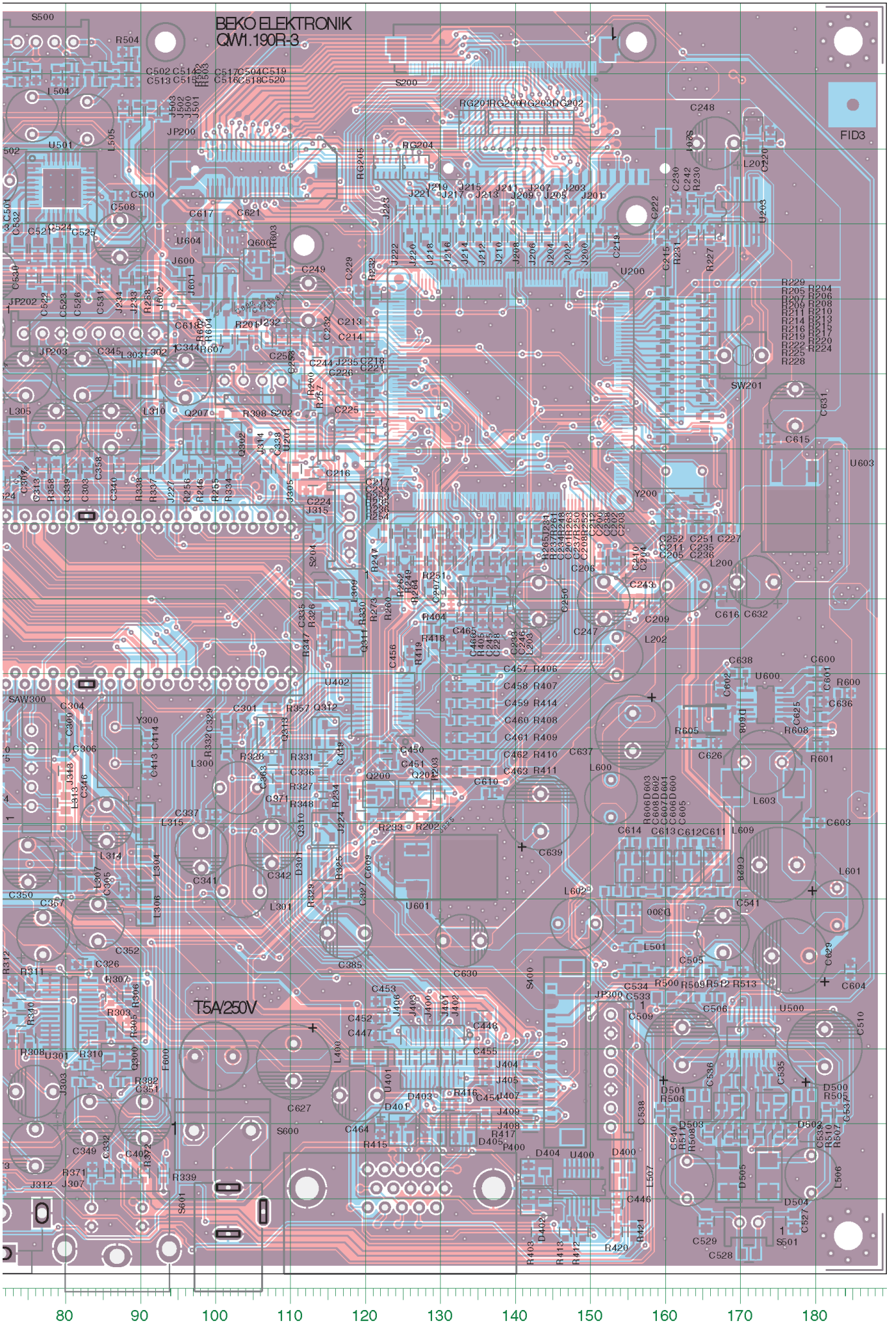


Hauptplatte / Main Board

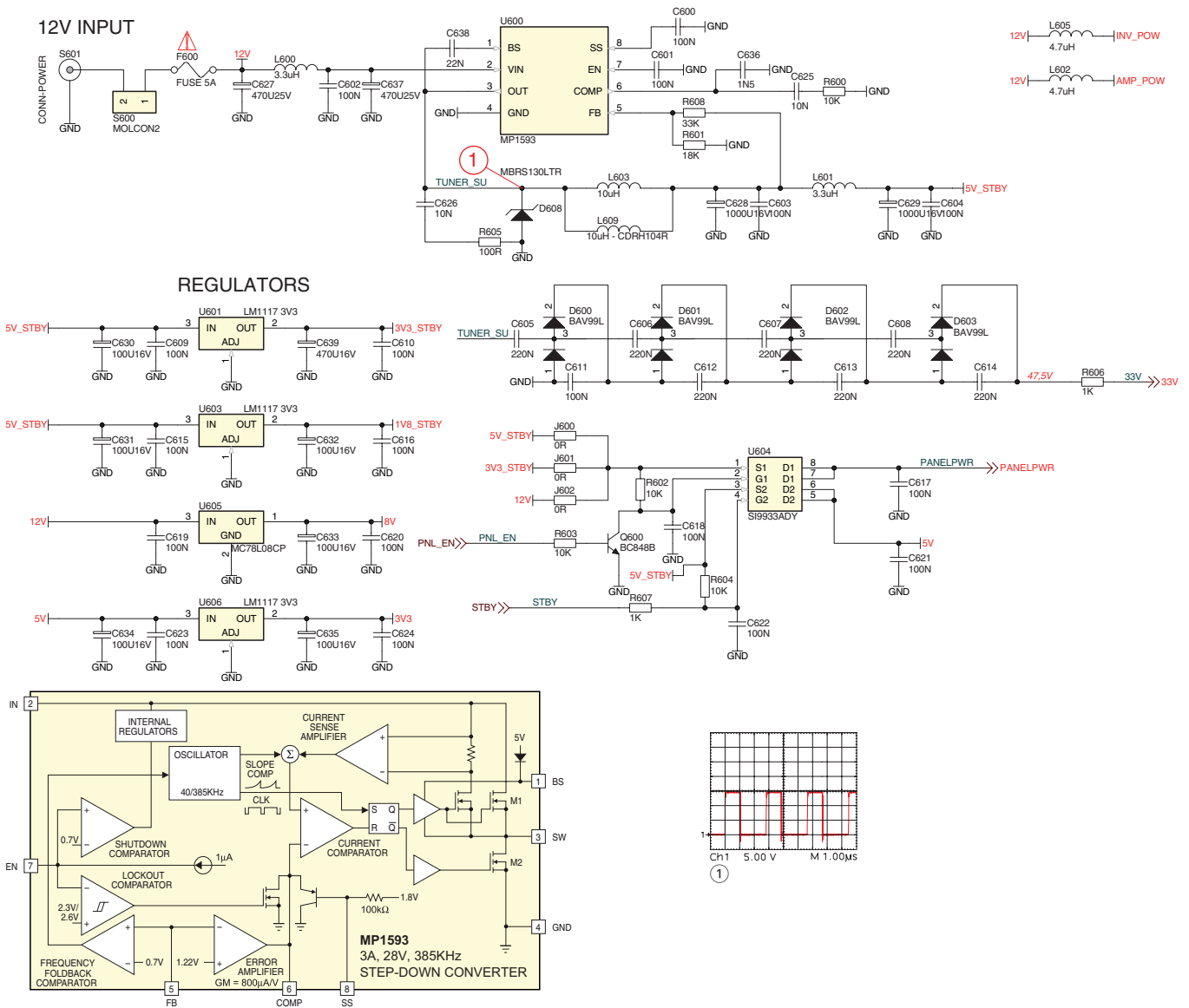
QW1190-3

Vergrößerte Ansicht von der Bestückungsseite
Enlarged view of Component Side

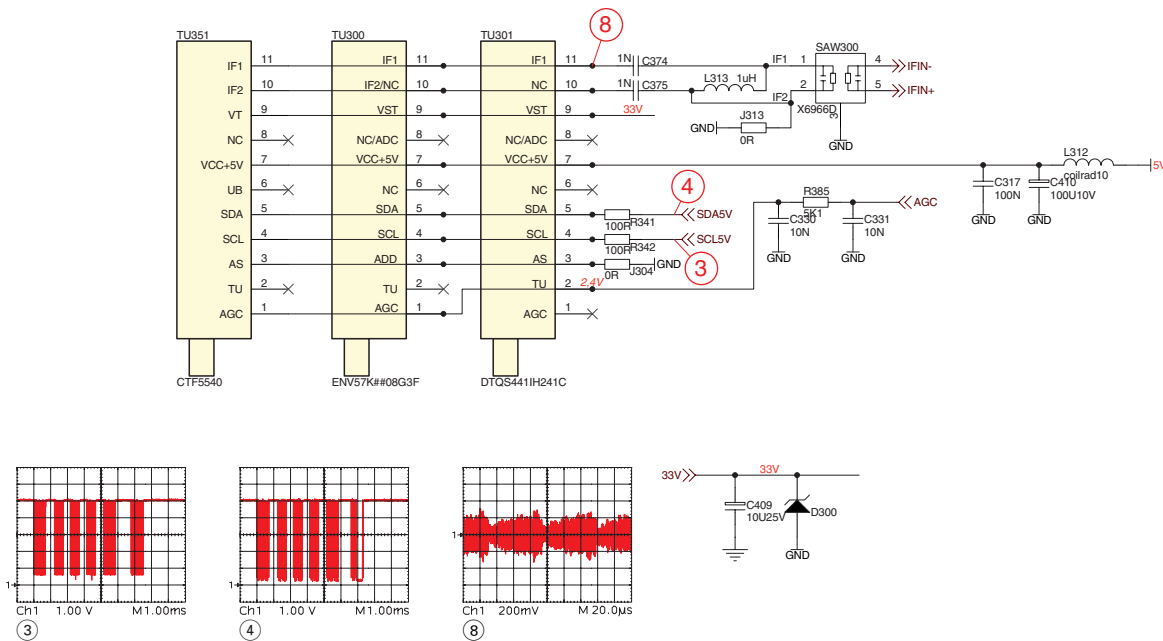




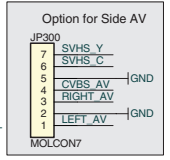
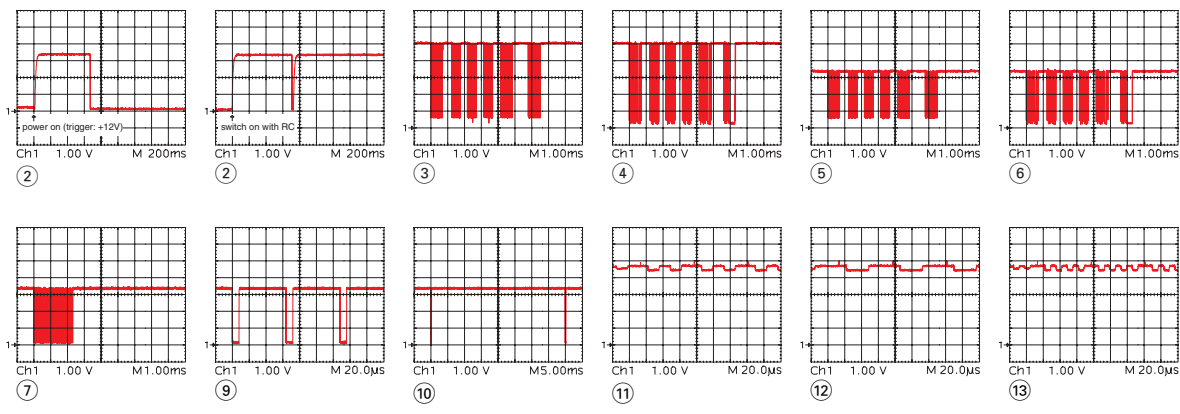
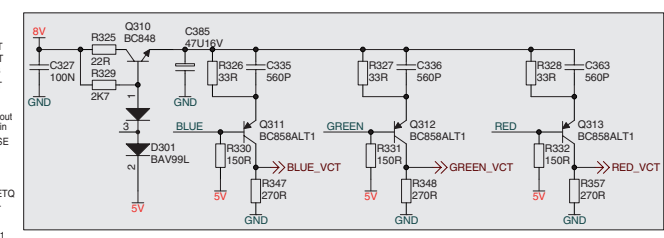
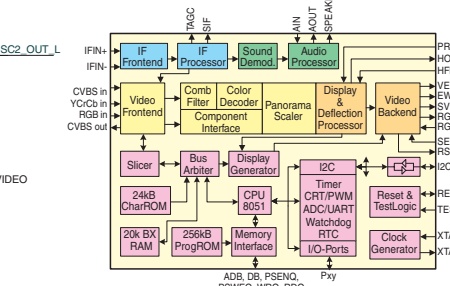
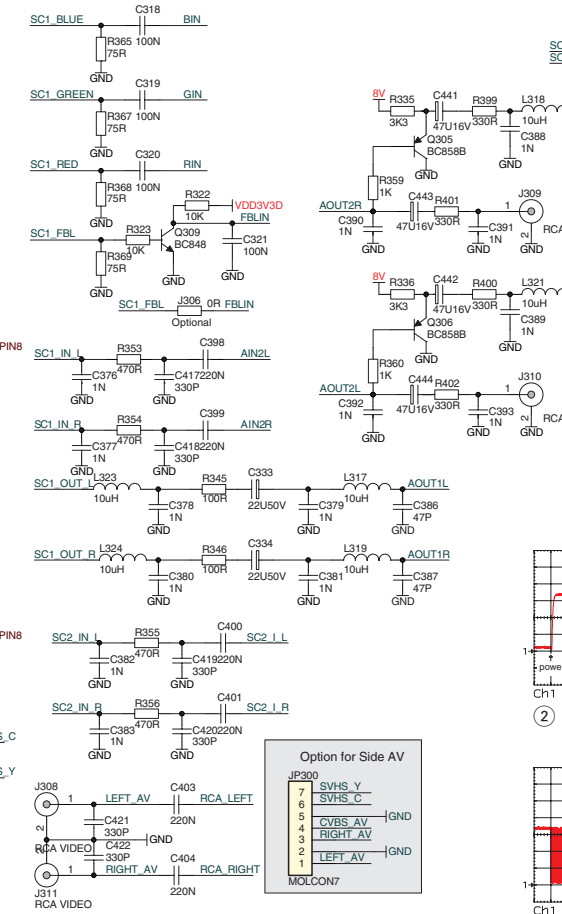
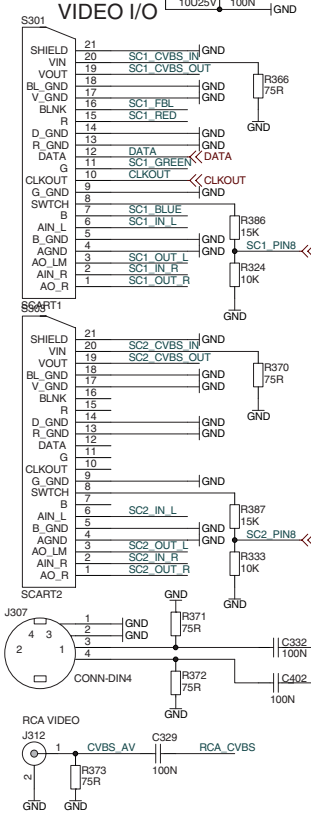
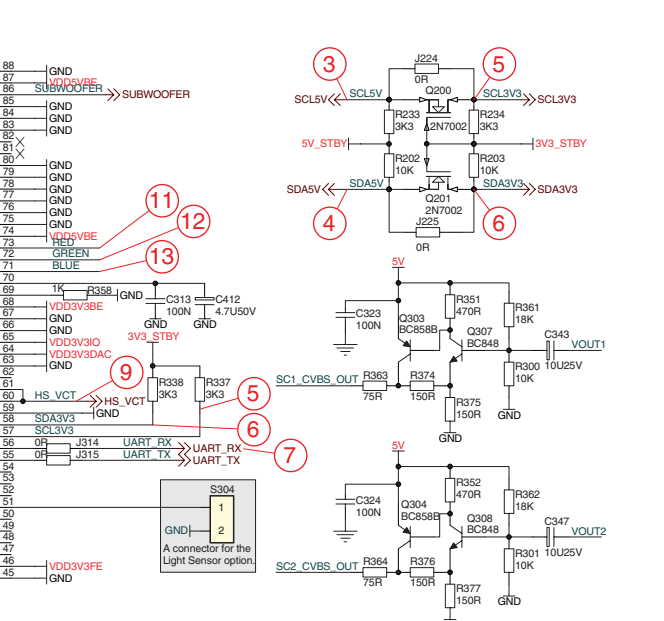
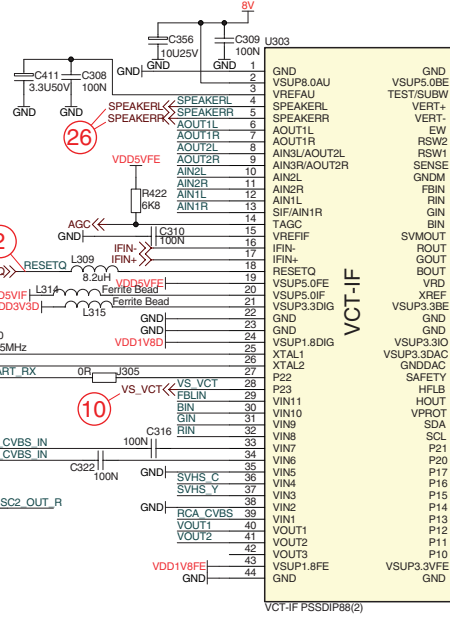
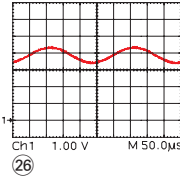
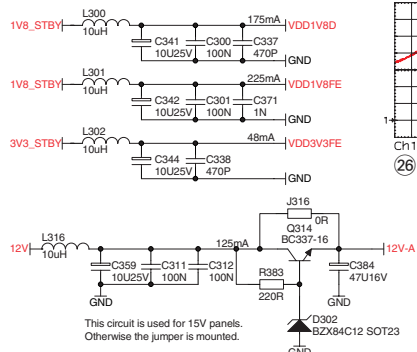
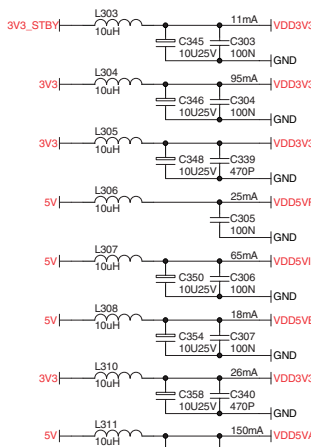
Hauptplatte – Netzteil / Main Board – Power Supply QW1190-3



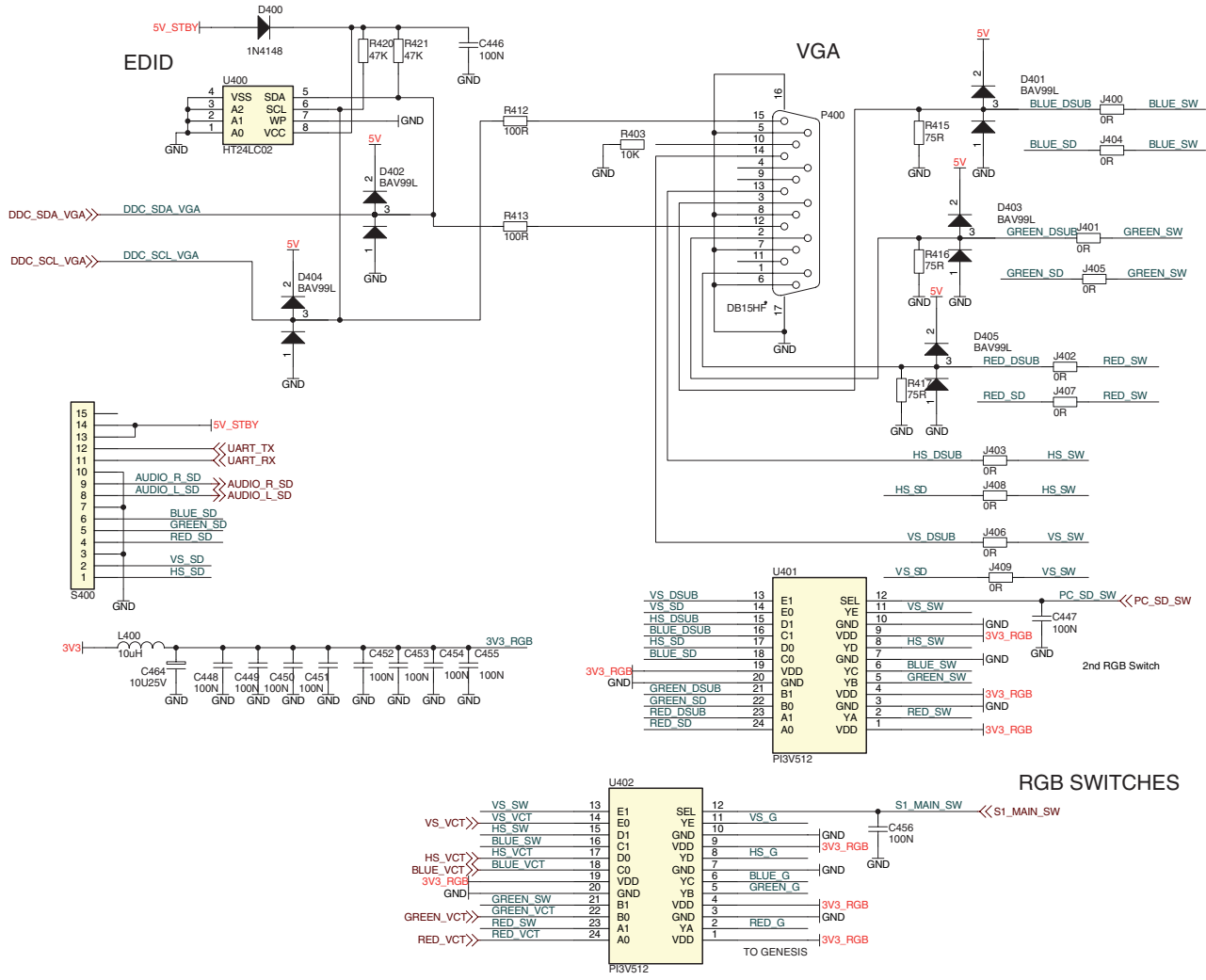
Hauptplatte / Main Board – Tuner QW1190-3



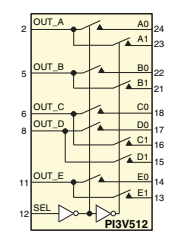
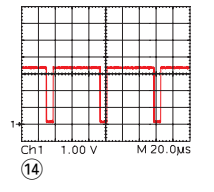
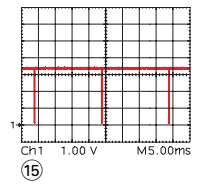
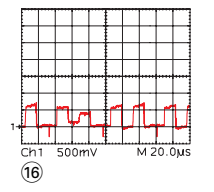
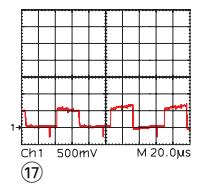
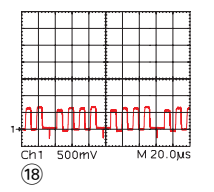
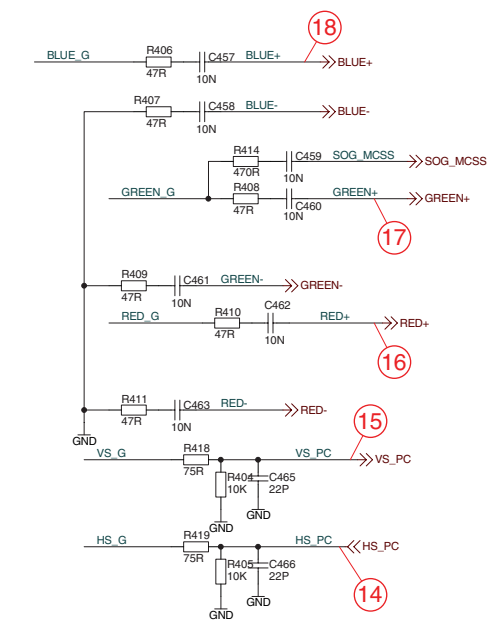
Hauptplatte / Main Board – IN/OUT, VCT-IF QW1190-3



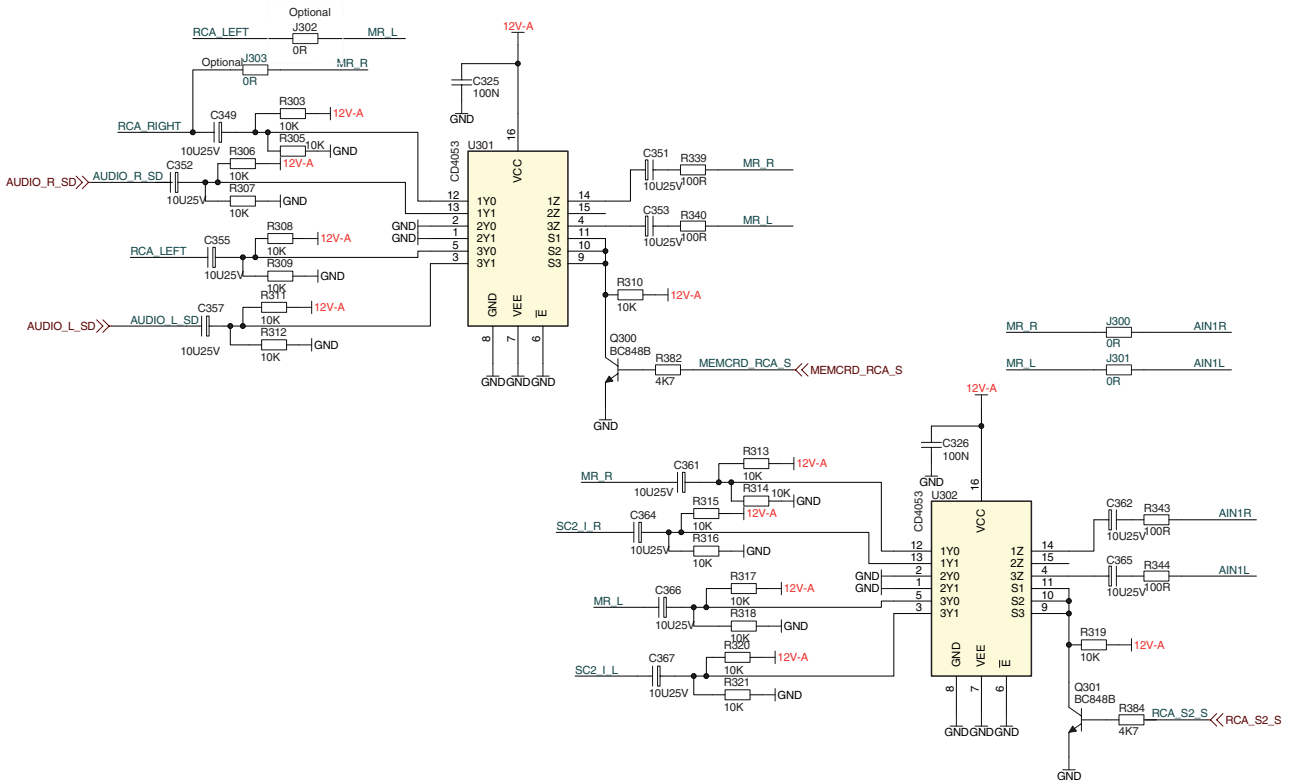
Hauptplatte – VGA-Eingang und RGB-Umschalter / Main Board – VGA Input and RGB Switches QW1190-3



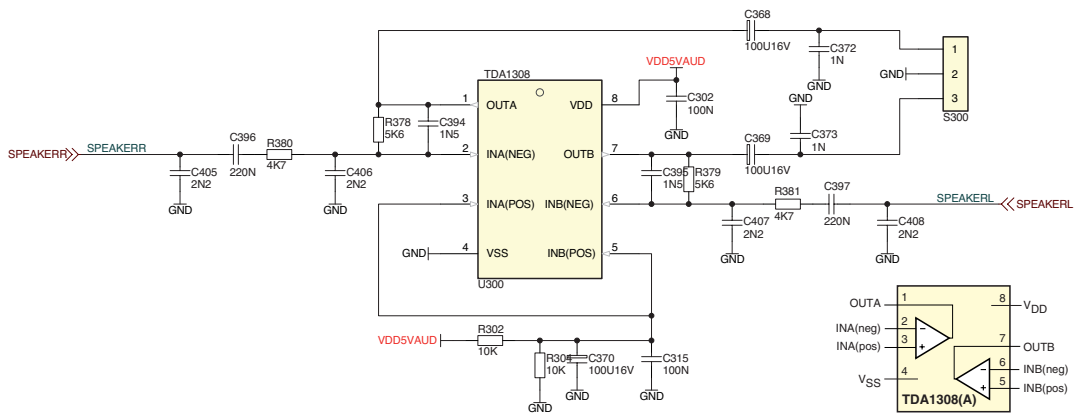
2
8



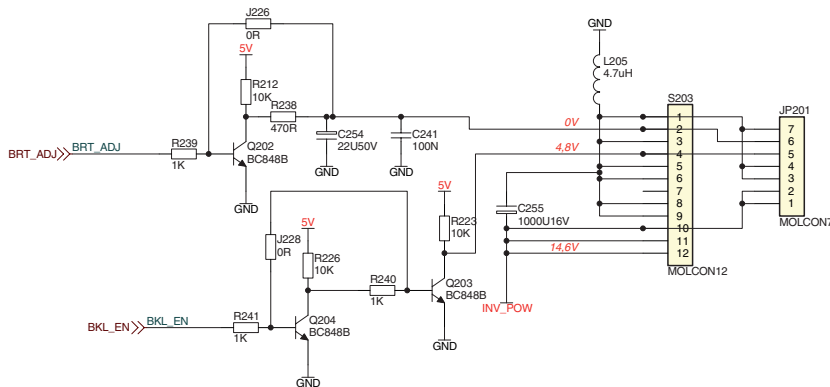
Hauptplatte – Audio-Umschalter / Main Board – Audio Switches QW1190-3



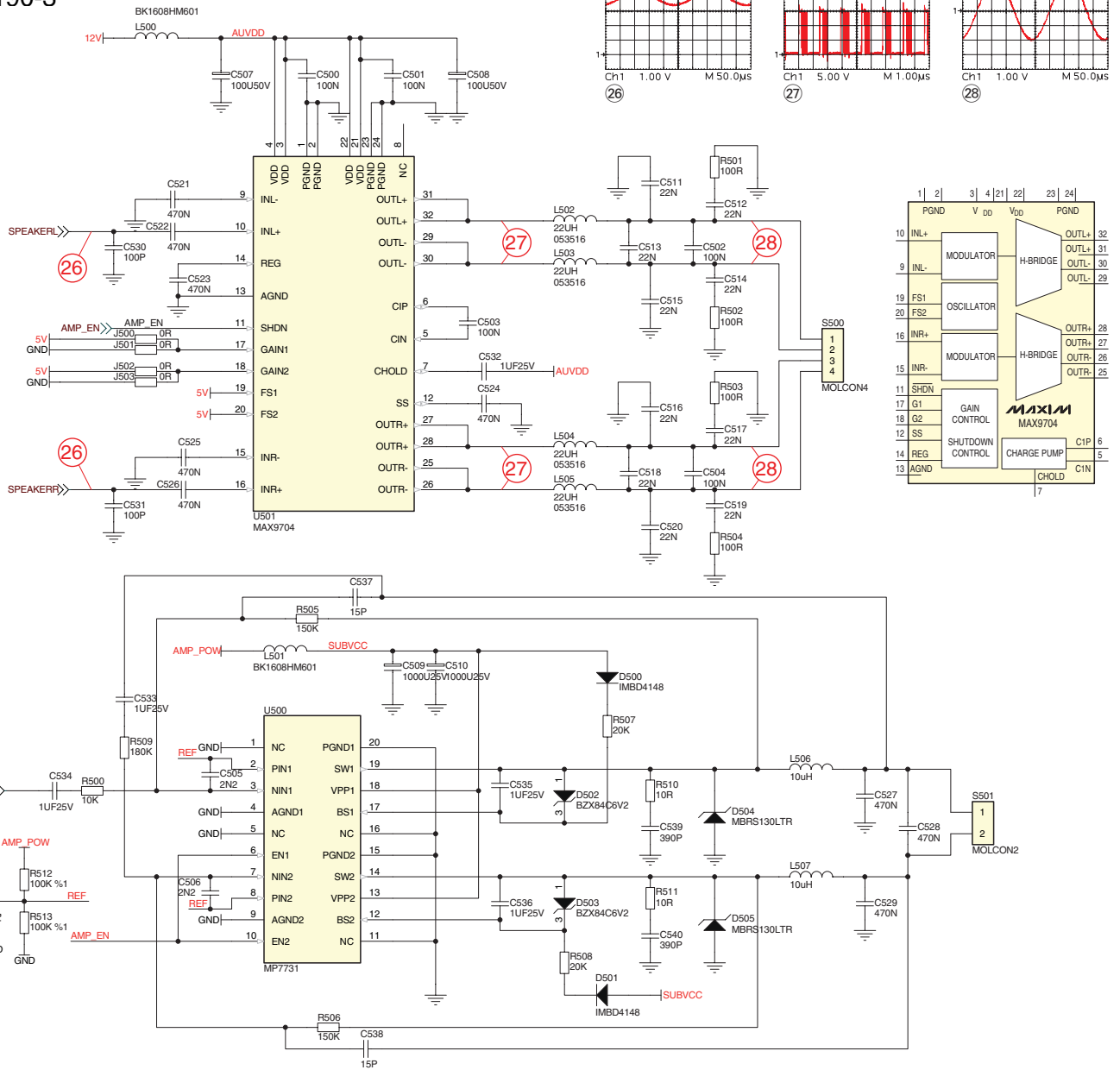
Hauptplatte – Kopfhörer / Main Board – Headphone QW1190-3



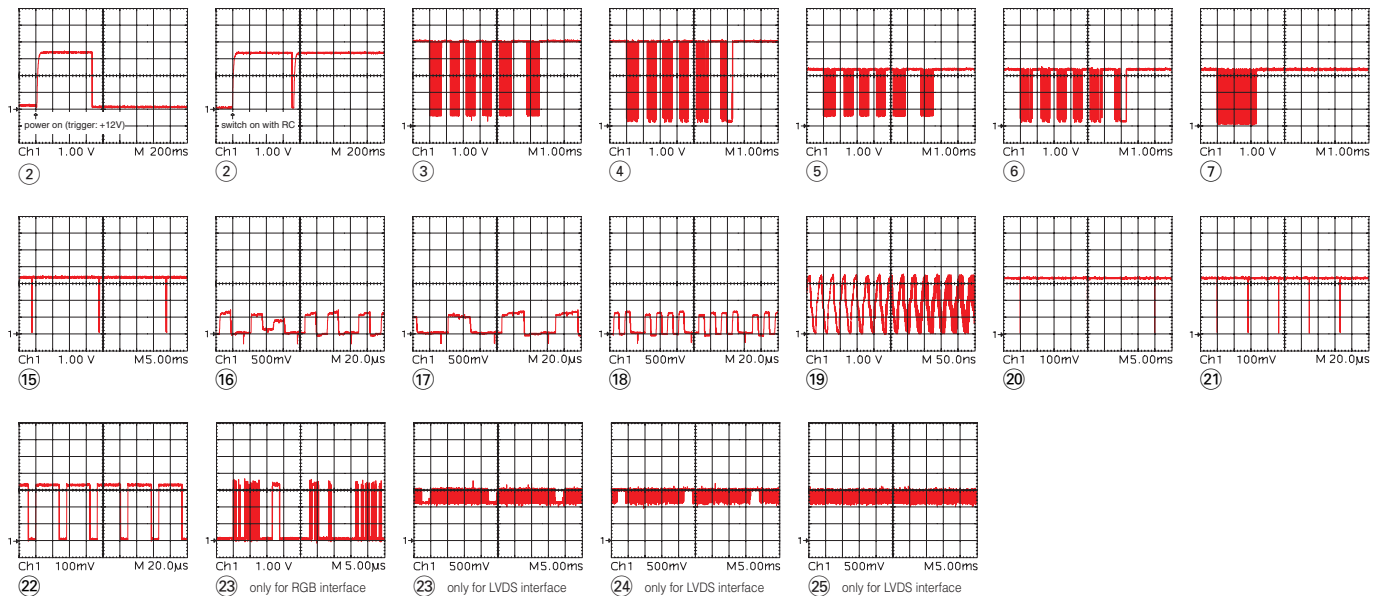
Hauptplatte – Inverter-Steuerung / Main Board – Inverter-Control QW1190-3



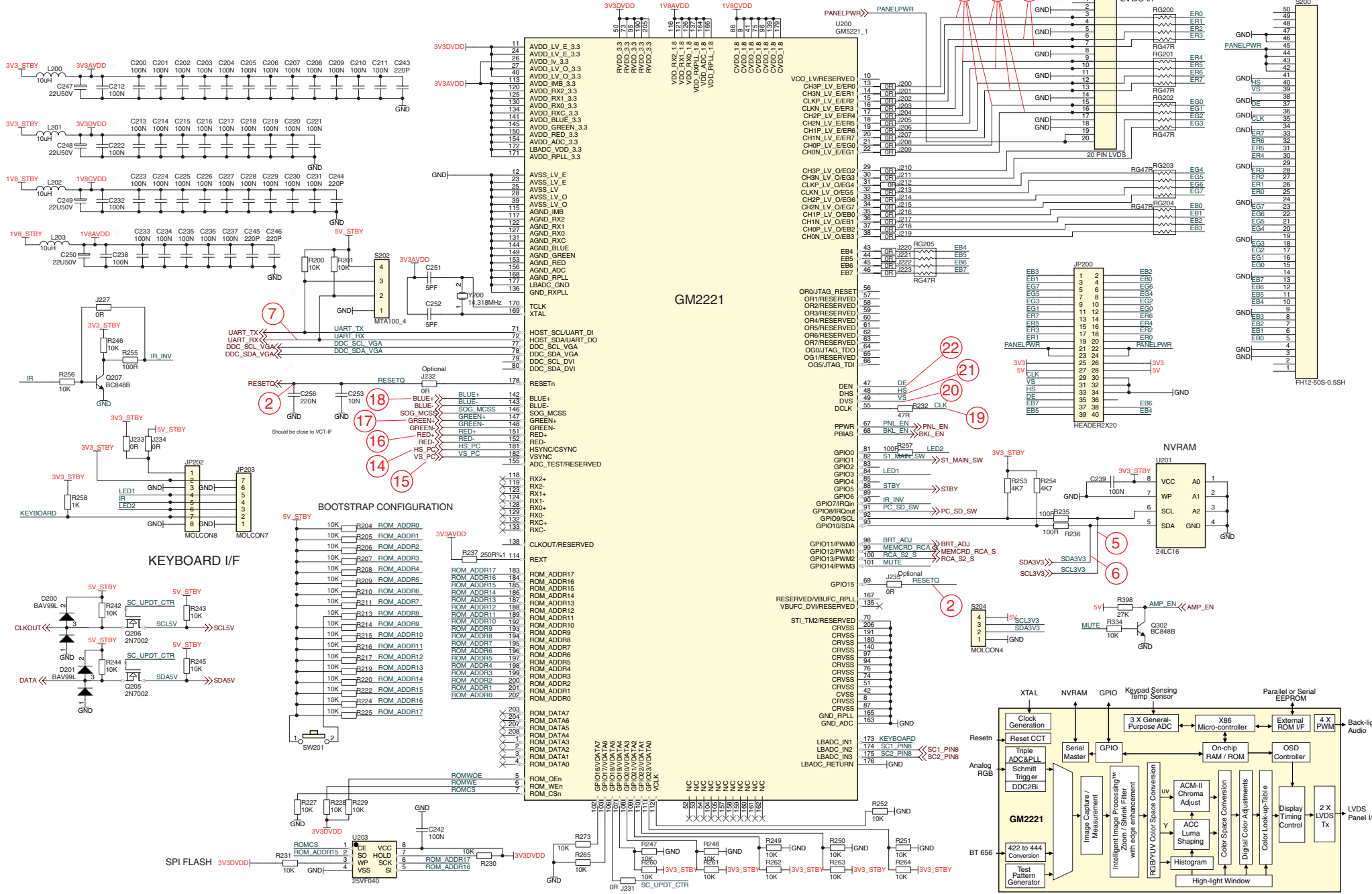
Hauptplatte – Verstärker / Main Board – Amplifier QW1190-3



Hauptplatte / Main Board – Scaler



Hauptplatte / Main Board – Scaler QW1190-3



2 - 11

GRUNDIG Service

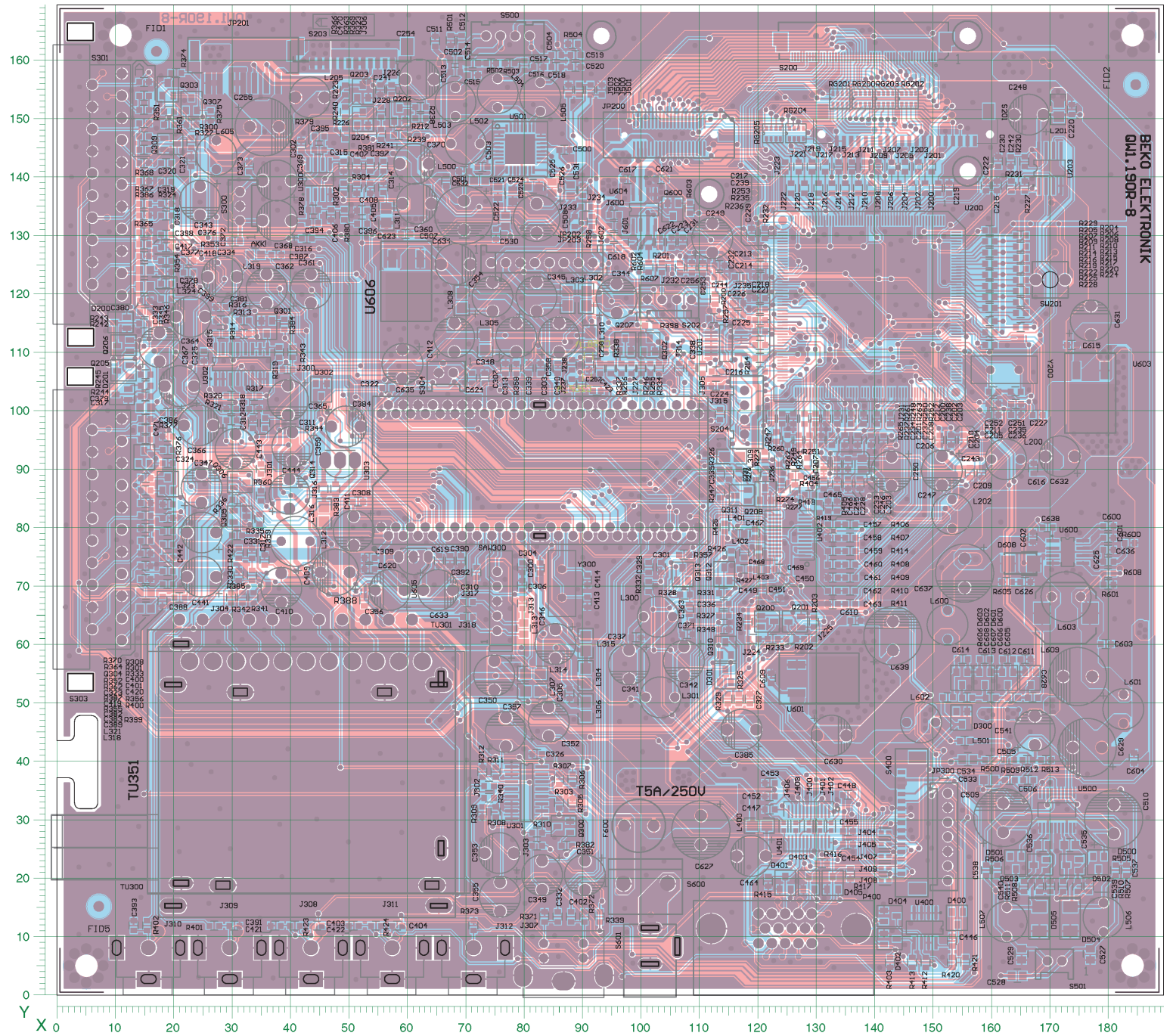
Chassis L3C-14 "...20"

Hauptplatte / Main Board QW1190-8

POS.	X	Y	POS.	X	Y	POS.	X	Y	POS.	X	Y	POS.	X	Y	POS.	X	Y	POS.	X	Y	POS.	X	Y								
C200	T	136	99	C331	T	33	75	C442	T	24	79	C619	T	65	74	J308	T	43	5	Q300	T	87	28	R307	T	86	37	R408	T	133	74
C201	T	137	95	C332	T	86	13	C443	T	30	93	C620	T	53	73	J309	T	29	5	Q301	T	36	114	R308	T	75	31	R409	T	133	71
C202	T	141	99	C333	T	17	111	C444	T	40	86	C621	T	103	140	J310	T	15	5	Q302	T	101	111	R309	T	73	31	R410	T	133	69
C203	T	143	99	C334	T	28	123	C446	T	153	9	C622	T	103	129	J311	T	57	5	Q303	T	19	155	R310	T	82	27	R411	T	133	67
C204	T	153	95	C335	T	114	89	C447	T	122	31	C623	T	59	130	J312	T	71	5	Q304	T	15	92	R311	T	75	38	R412	T	149	5
C205	T	161	99	C336	T	114	67	C448	T	136	34	C624	T	71	106	J313	T	80	67	Q305	T	31	82	R312	T	73	38	R413	T	147	5
C206	T	151	95	C337	T	99	61	C449	T	121	69	C625	T	180	74	J314	T	107	107	Q306	T	31	88	R313	T	32	115	R414	T	133	76
C207	T	131	91	C338	T	109	107	C450	T	125	71	C626	T	166	71	J315	T	114	99	Q307	T	23	153	R314	T	32	113	R415	T	122	19
C208	T	142	95	C339	T	81	107	C451	T	123	68	C627	T	110	28	J316	T	45	87	Q308	T	19	87	R315	T	28	113	R416	T	131	22
C209	T	159	89	C340	T	86	107	C452	T	122	34	C628	T	175	54	J317	T	70	67	Q309	T	19	146	R316	T	28	115	R417	T	136	20
C210	T	155	95	C341	T	98	56	C453	T	122	36	C629	T	177	42	J318	T	70	65	Q310	T	114	59	R317	T	33	103	R418	T	129	86
C211	T	161	101	C342	T	107	57	C454	T	136	25	C630	T	133	44	J400	T	129	28	Q311	T	117	85	R318	T	33	100	R419	T	131	83
C212	T	134	99	C343	T	24	136	C455	T	136	28	C631	T	177	115	J401	T	131	28	Q312	T	114	72	R319	T	38	110	R420	T	153	5
C213	T	121	127	C344	T	96	119	C456	T	127	89	C632	T	172	92	J402	T	133	28	Q313	T	107	72	R320	T	30	103	R421	T	156	5
C214	T	121	125	C345	T	82	120	C457	T	136	80	C633	T	65	69	J403	T	127	28	Q314	T	48	91	R321	T	30	100	R422	T	31	75
C215	T	161	139	C346	T	85	60	C458	T	136	78	C634	T	68	125	J404	T	142	27	Q600	T	105	135	R322	T	23	146	R423	T	40	11
C216	T	113	107	C347	T	24	87	C459	T	136	76	C635	T	59	108	J405	T	142	25	R200	T	113	119	R323	T	15	147	R424	T	54	11
C217	T	120	117	C348	T	79	113	C460	T	136	74	C636	T	180	76	J406	T	125	28	R201	T	104	125	R324	T	18	136	R425	T	114	80
C218	T	121	123	C349	T	83	20	C461	T	136	71	C637	T	156	72	J407	T	142	23	R202	T	126	61	R325	T	117	50	R426	T	115	75
C219	T	153	138	C350	T	75	54	C462	T	136	69	C638	T	170	80	J408	T	142	19	R203	T	130	64	R326	T	115	89	R427	T	118	73
C220	T	174	152	C351	T	90	20	C463	T	136	67	C639	T	143	61	J409	T	142	21	R204	T	165	130	R327	T	114	65	R500	T	160	40
C221	T	120	119	C352	T	84	47	C464	T	119	23	D200	T	10	115	J500	T	91	155	R205	T	160	129	R328	T	107	68	R501	T	67	164
C222	T	159	139	C353	T	76	24	C465	T	134	87	D201	T	11	103	J501	T	93	155	R206	T	165	128	R329	T	115	50	R502	T	74	160
C223	T	105	129	C354	T	74	120	C466	T	134	84	D300	T	155	47	J502	T	89	155	R207	T	160	127	R330	T	117	89	R503	T	77	160
C224	T	113	104	C355	T	76	16	C467	T	120	79	D301	T	114	54	J503	T	87	155	R208	T	165	126	R331	T	114	69	R504	T	88	163
C225	T	117	116	C356	T	57	69	C468	T	120	76	D302	T	45	104	J600	T	95	134	R209	T	160	125	R332	T	101	70	R505	T	182	21
C226	T	117	118	C357	T	77	45	C469	T	124	73	D400	T	154	13	J601	T	95	132	R210	T	165	124	R333	T	19	82	R506	T	161	21
C227	T	168	99	C358	T	86	113	C470	T	15	154	D401	T	125	19	J602	T	95	130	R211	T	160	123	R334	T	103	107	R507	T	173	18
C228	T	138	87	C359	T	40	94	C471	T	15	97	D402	T	143	9	JP200	T	105	147	R212	T	62	150	R335	T	31	79	R508	T	166	18
C229	T	119	130	C360	T	61	136	C500	T	87	145	D403	T	129	19	JP201	T	32	159	R213	T	165	122	R336	T	31	85	R509	T	163	36
C230	T	161	143	C361	T	43	121	C501	T	70	141	D404	T	143	13	JP202	T	83	125	R214	T	160	121	R337	T	95	107	R510	T	175	18
C231	T	107	129	C362	T	36	121	C502	T	68	160	D405	T	133	19	JP203	T	84	125	R215	T	165	121	R338	T	93	107	R511	T	168	18
C232	T	113	125	C363	T	108	66	C503	T	73	142	D500	T	179	22	JP300	T	153	27	R216	T	160	120	R339	T	93	13	R512	T	166	40
C233	T	134	91	C364	T	23	116	C504	T	85	161	D501	T	164	22	L200	T	163	92	R217	T	165	119	R340	T	74	33	R513	T	170	40
C234	T	135	95	C365	T	39	102	C505	T	163	40	D502	T	174	22	L201	T	172	152	R219	T	160	118	R341	T	33	68	R600	T	184	77
C235	T	164	101	C366	T	24	97	C506	T	167	36	D503	T	169	22	L202	T	153	82	R220	T	165	117	R342	T	31	68	R601	T	180	70
C236	T	164	99	C367	T	21	104	C507	T	70	134	D504	T	174	13	L203	T	138	91	R222	T	160	115	R343	T	40	110	R602	T	99	129
C237	T	139	95	C368	T	37	133	C508	T	82	133	D505	T	168	13	L205	T	43	154	R223	T	49	155	R344	T	35	98	R603	T	108	135
C238	T	138	99	C369	T	37	140	C509	T	162	30	D600	T	167	54	L300	T	103	65	R224	T	165	114	R345	T	18	122	R604	T	101	129
C239	T	120	116	C370	T	61	142	C510	T	181	30	D601	T	163	54	L301	T	103	51	R225	T	160	113	R346	T	18	119	R605	T	163	71
C241	T	55	155	C371	T	108	62	C511	T	65	163	D602	T	159	54	L302	T	91	119	R226	T	49	148	R347	T	114	86	R606	T	153	51
C242	T	163	143	C372	T	30	129	C512	T	69	164	D603	T	155	54	L303	T	87	119	R227	T	166	139	R348	T	114	62	R607	T	101	125
C243	T	157	89	C373	T	33	142	C513	T	68	158	D608	T	165	74	L304	T	90	54	R228	T	160	111	R351	T	19	151	R608	T	180	72
C244	T	113	123	C376	T	15	131	C514	T	71	160	F600	T	100	29	L305	T	73	112	R229	T	160	131	R352	T	15	88	RG200	T	138	154
C245	T	136	87	C377	T	15	127	C515	T	71	158	J200	T	151	138	L306	T	90	49	R230	T	166	143	R353	T	15	129	RG201	T	134	154
C246	T	136	91	C378	T	18	124	C516	T	82	159	J201	T	150	142	L307	T	81	52	R231	T	164	139	R354	T	18	126	RG202	T	146	154
C247	T	152	90	C379	T	15	102	C517	T	80	159	J202	T	149	138	L308	T	69	119	R232	T	121	130	R355	T	15	78	RG203	T	142	154
C248	T	167	151	C380	T	15	119	C518	T	85	159	J203	T	148	142	L309	T	116	92	R233	T	123	61	R356	T	19	72	RG204	T	127	148
C249	T	112	130	C381	T	28	118	C519	T	89	161	J204	T	146	138	L310	T	91	112	R234	T	118	64	R357	T	107	75	RG205	T	123	148
C250	T	143	90	C382	T	15	75	C520	T	89	159	J205	T	145	142	L311	T	56	134	R235	T	120	111	R358	T	79	107	S200	T	138	162
C251	T	164	103	C383	T	15	73	C521	T	75	138	J210	T	140	138	L312	T	41	78	R236	T	120	109	R359	T	34	81	S201	T	145	149
C252	T	161	103	C384	T	49	97	C522	T	77	133	J211	T	138	142	L313	T	80	63	R237	T	133	95	R360	T	35	85	S202	T	105	119
C253	T	111	125	C385	T	117	45	C523	T	81	139	J212	T	137	138	L314	T	81	5												

Hauptplatte / Main Board QW1190-8

Ansicht von der Bestückungsseite
View of Component Side

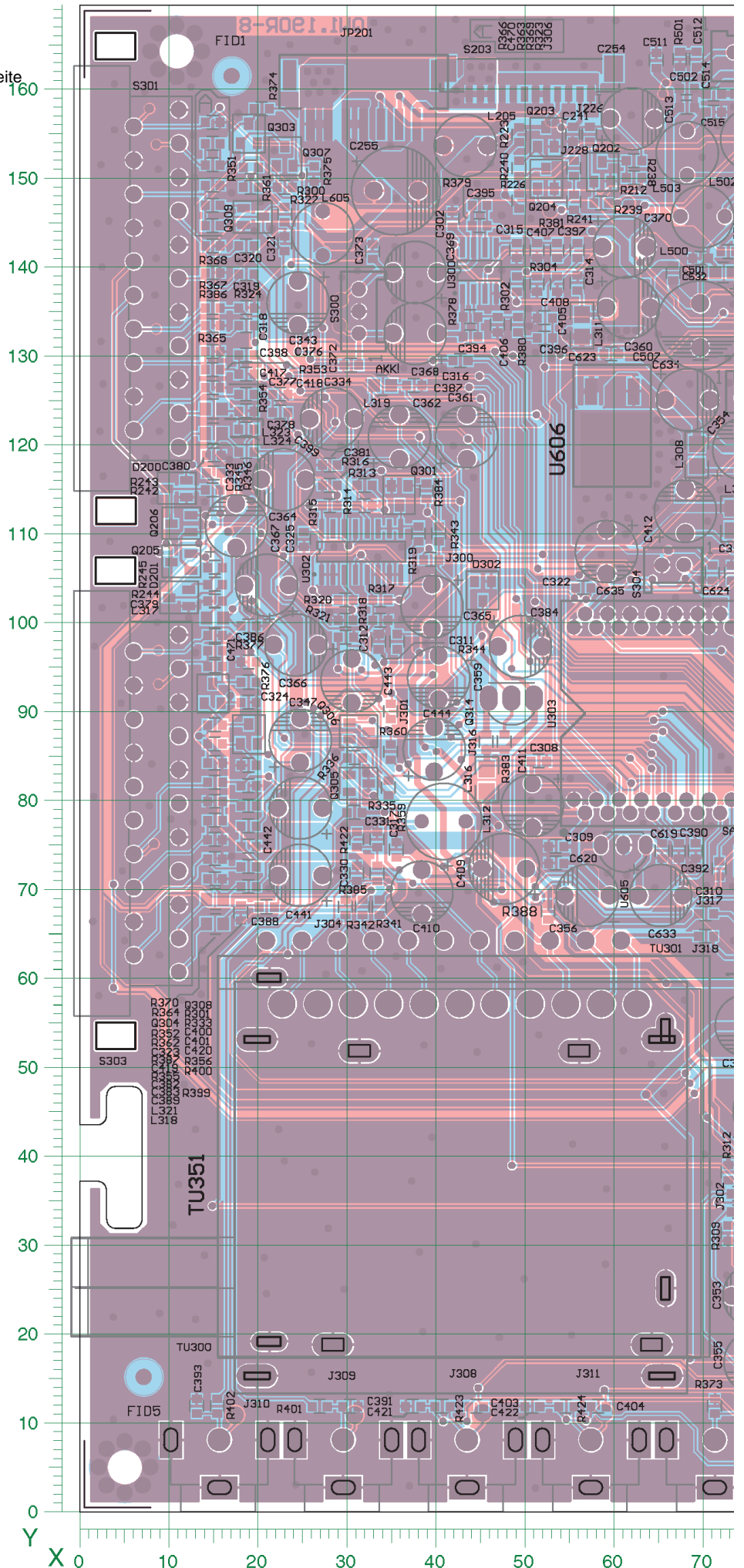


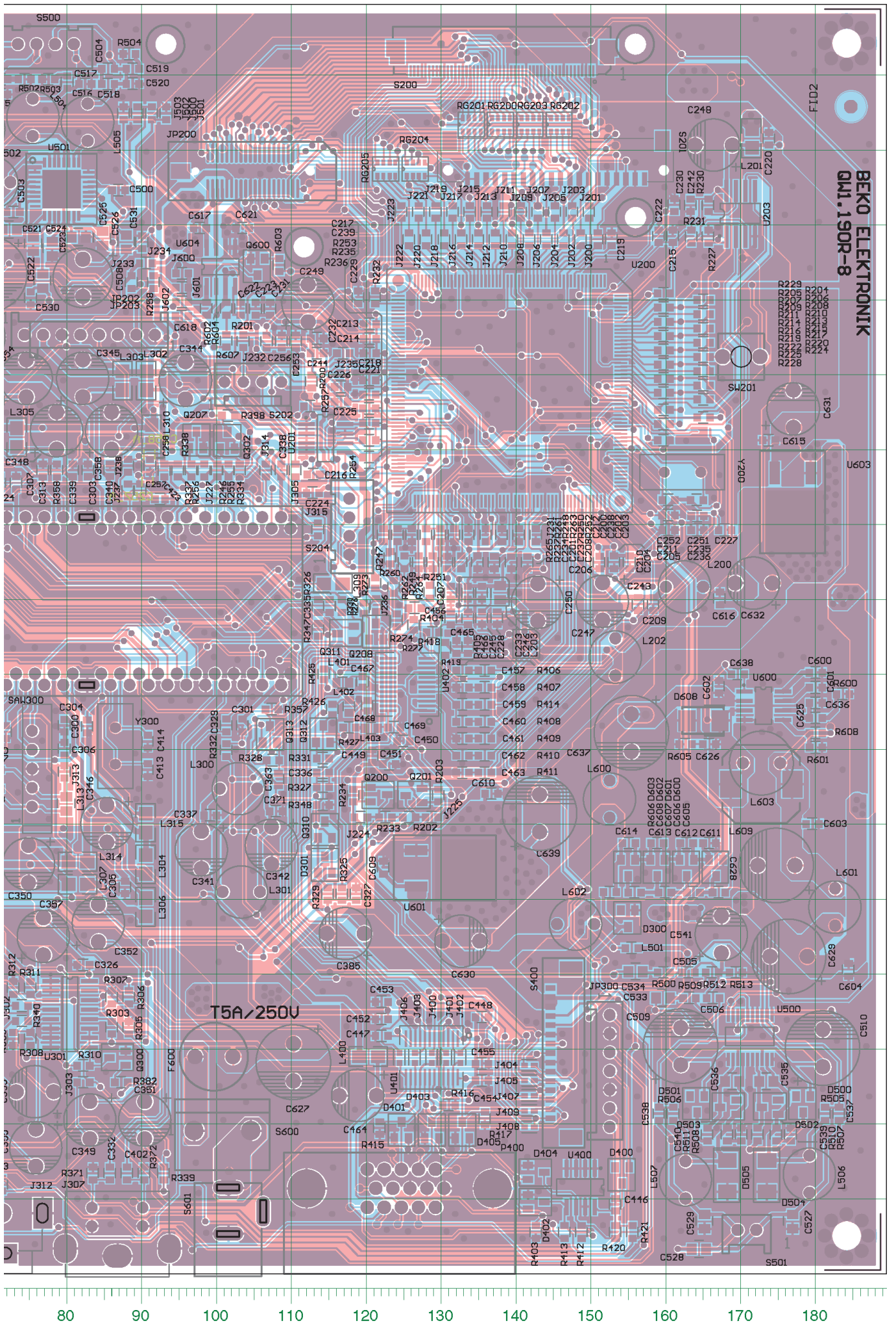
BEKO ELEKTRONIK
GM1.190R-8

Hauptplatte / Main Board

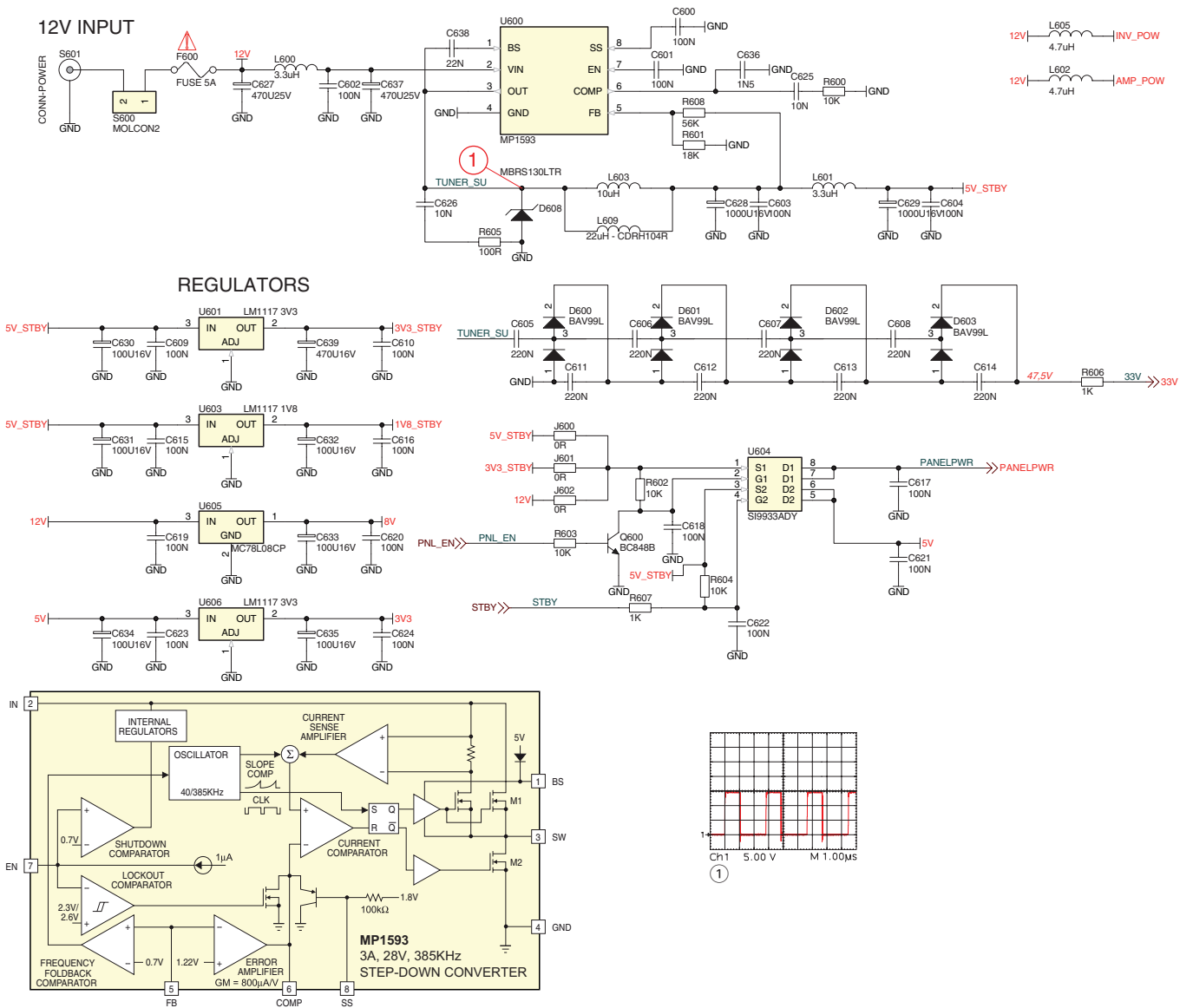
QW1190-8

Vergrößerte Ansicht von der Bestückungsseite
 Enlarged view of Component Side

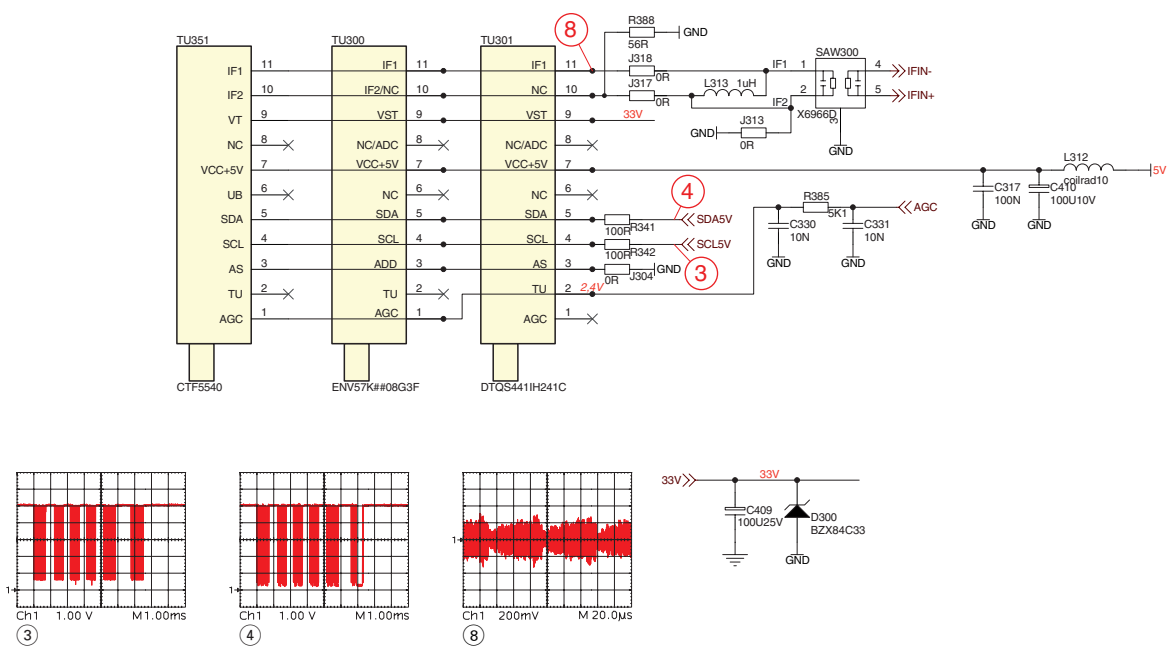




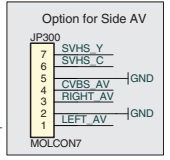
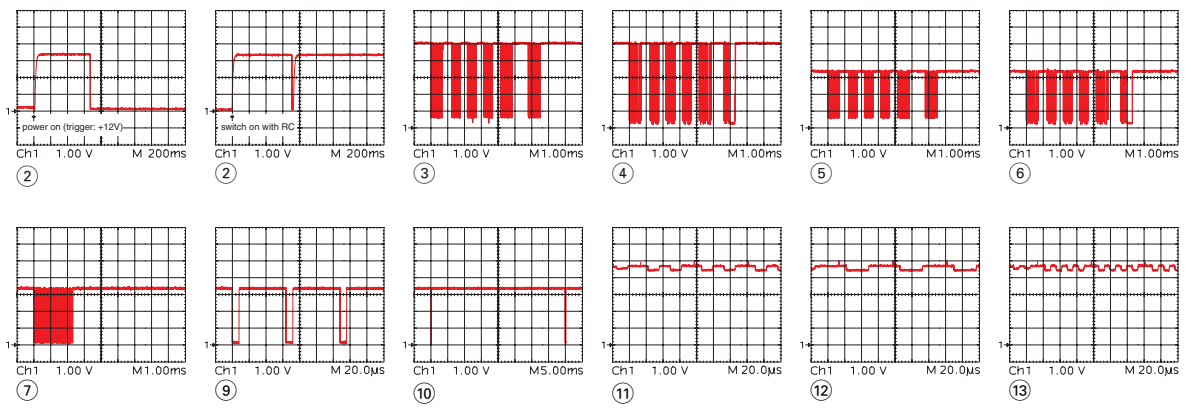
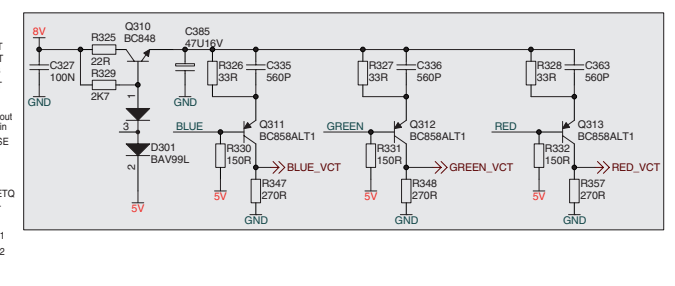
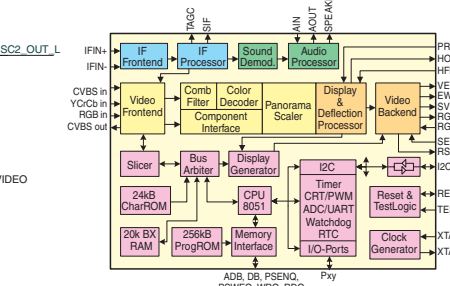
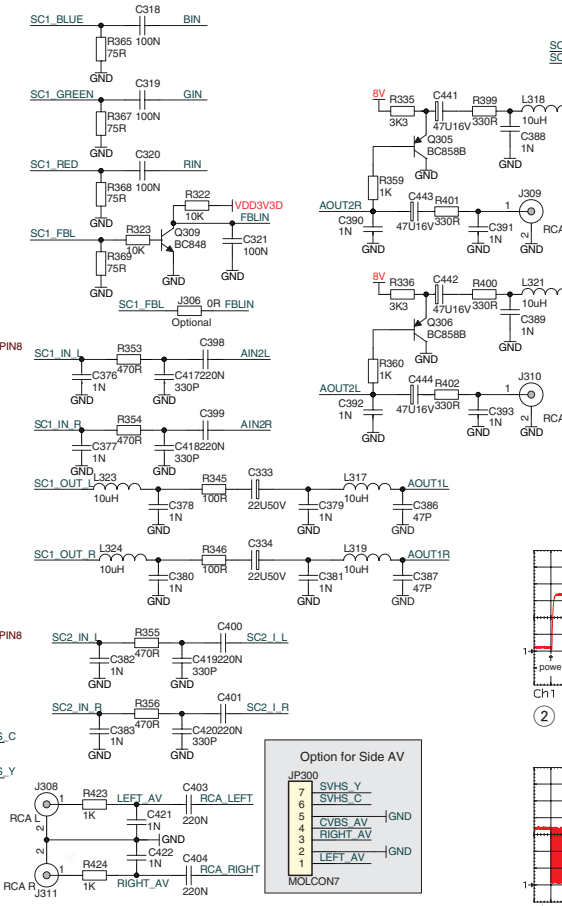
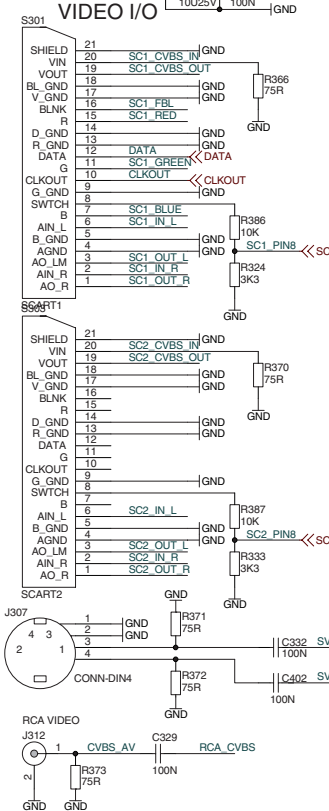
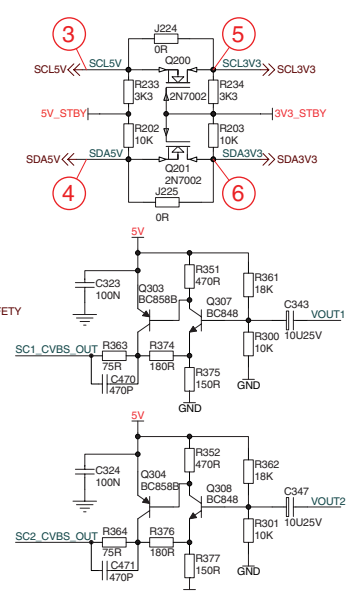
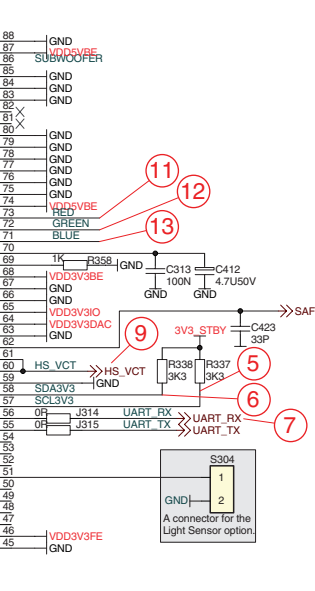
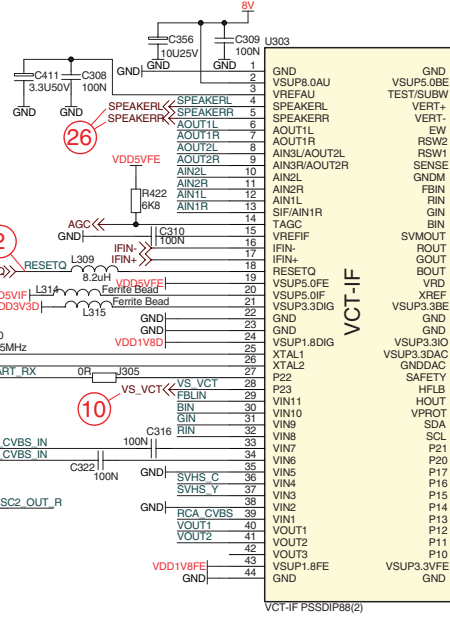
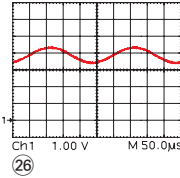
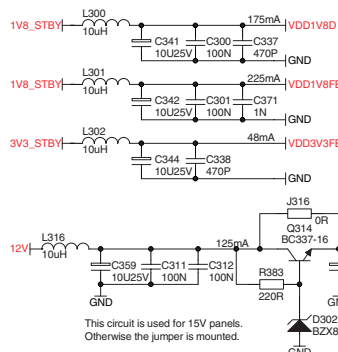
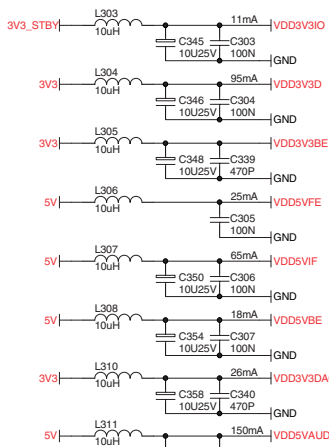
Hauptplatte – Netzteil / Main Board – Power Supply QW1190-8



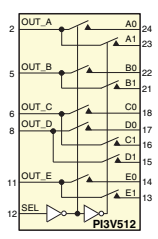
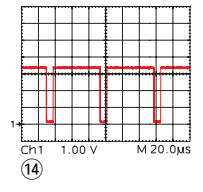
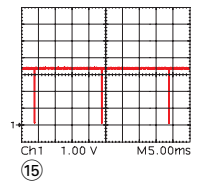
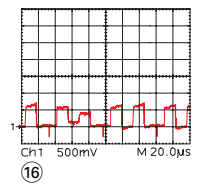
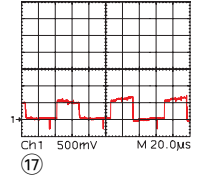
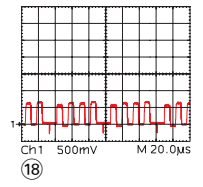
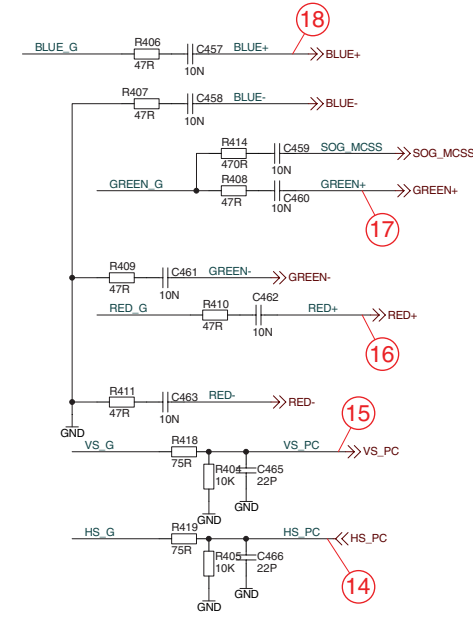
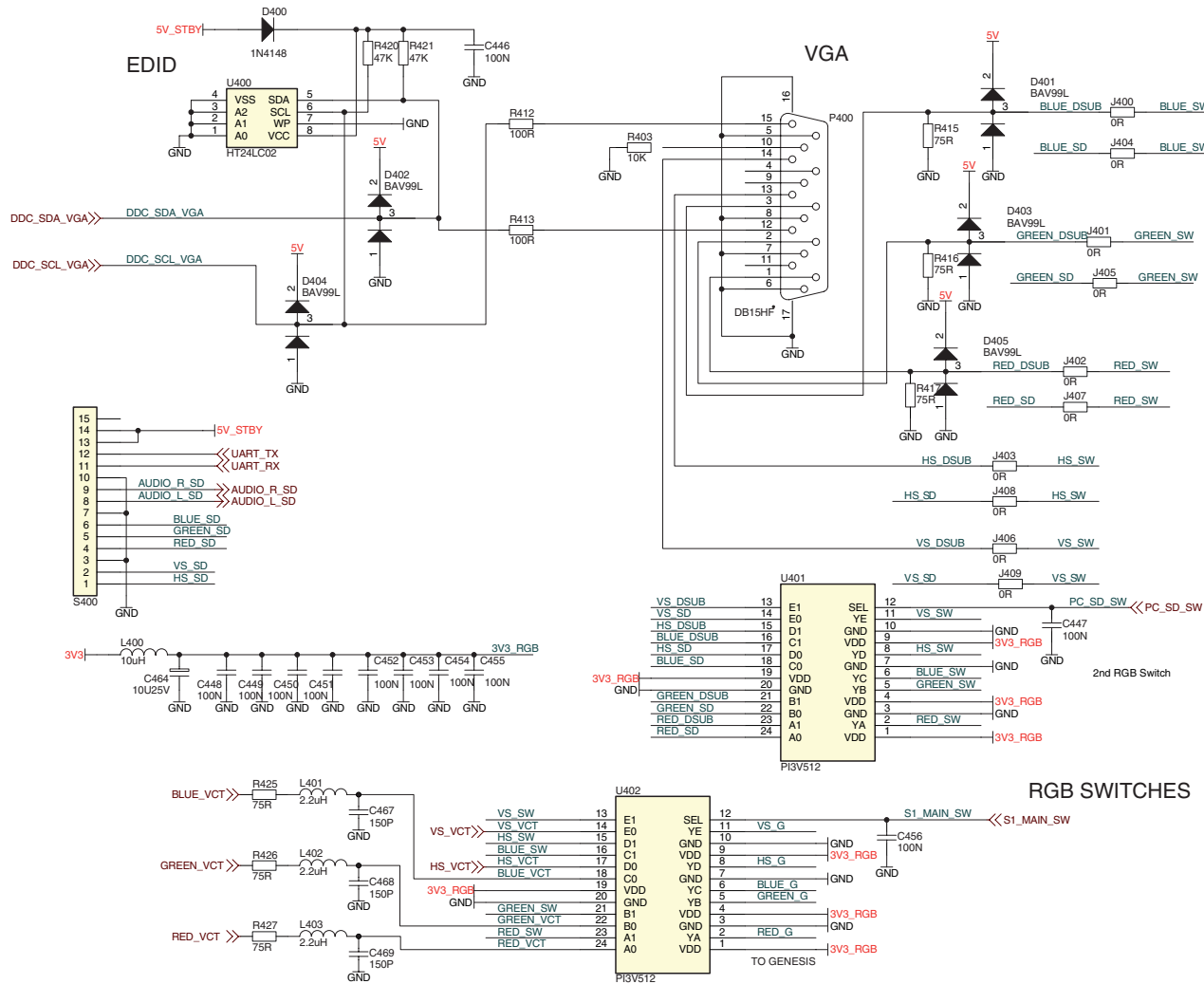
Hauptplatte / Main Board – Tuner QW1190-8



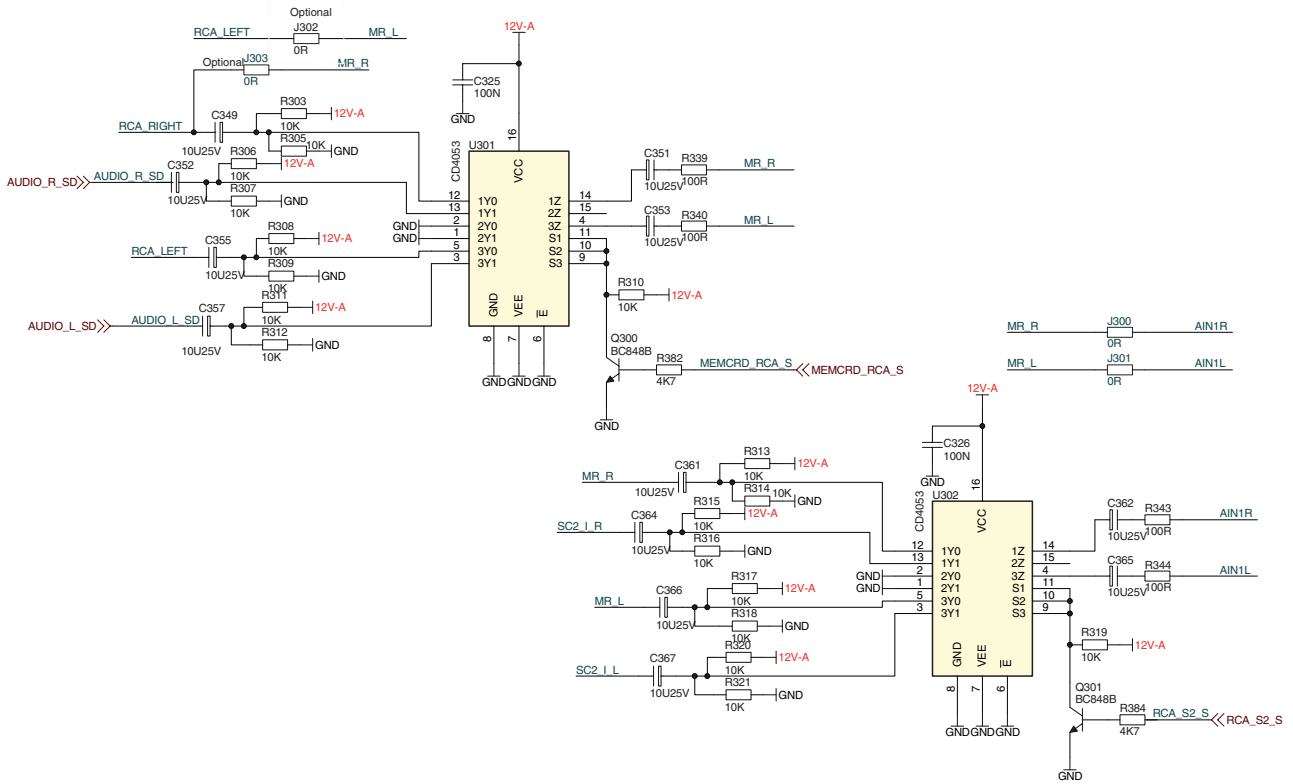
Hauptplatte / Main Board – IN/OUT, VCT-IF QW1190-8



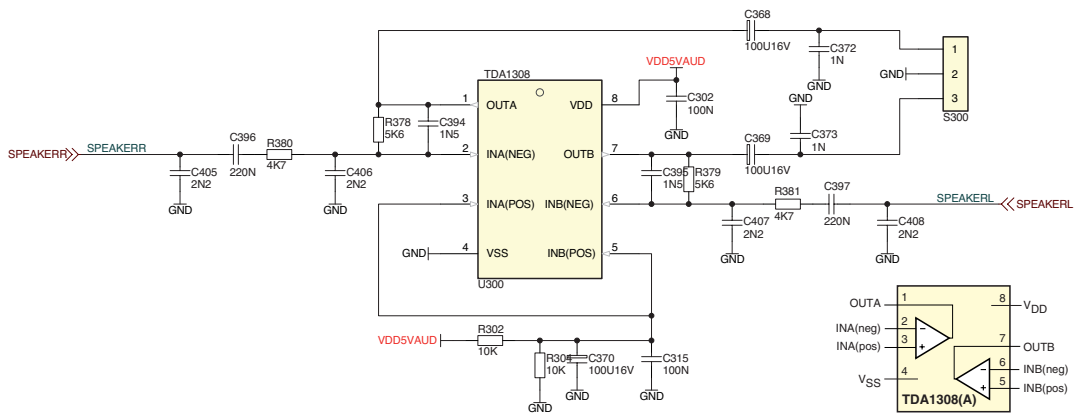
Hauptplatte – VGA-Eingang und RGB-Umschalter / Main Board – VGA Input and RGB Switches QW1190-8



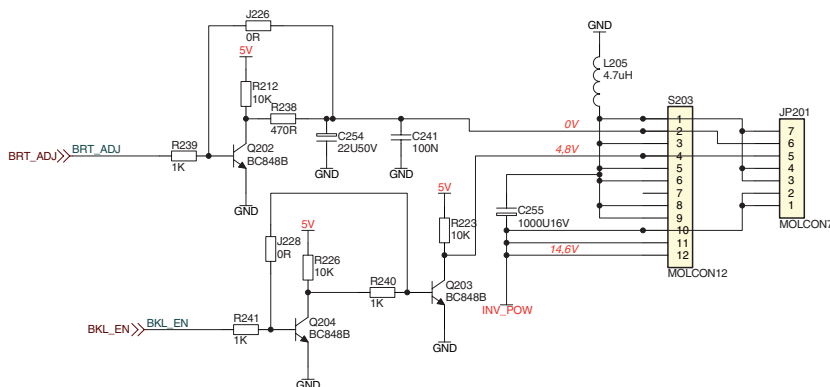
Hauptplatte – Audio-Umschalter / Main Board – Audio Switches QW1190-8



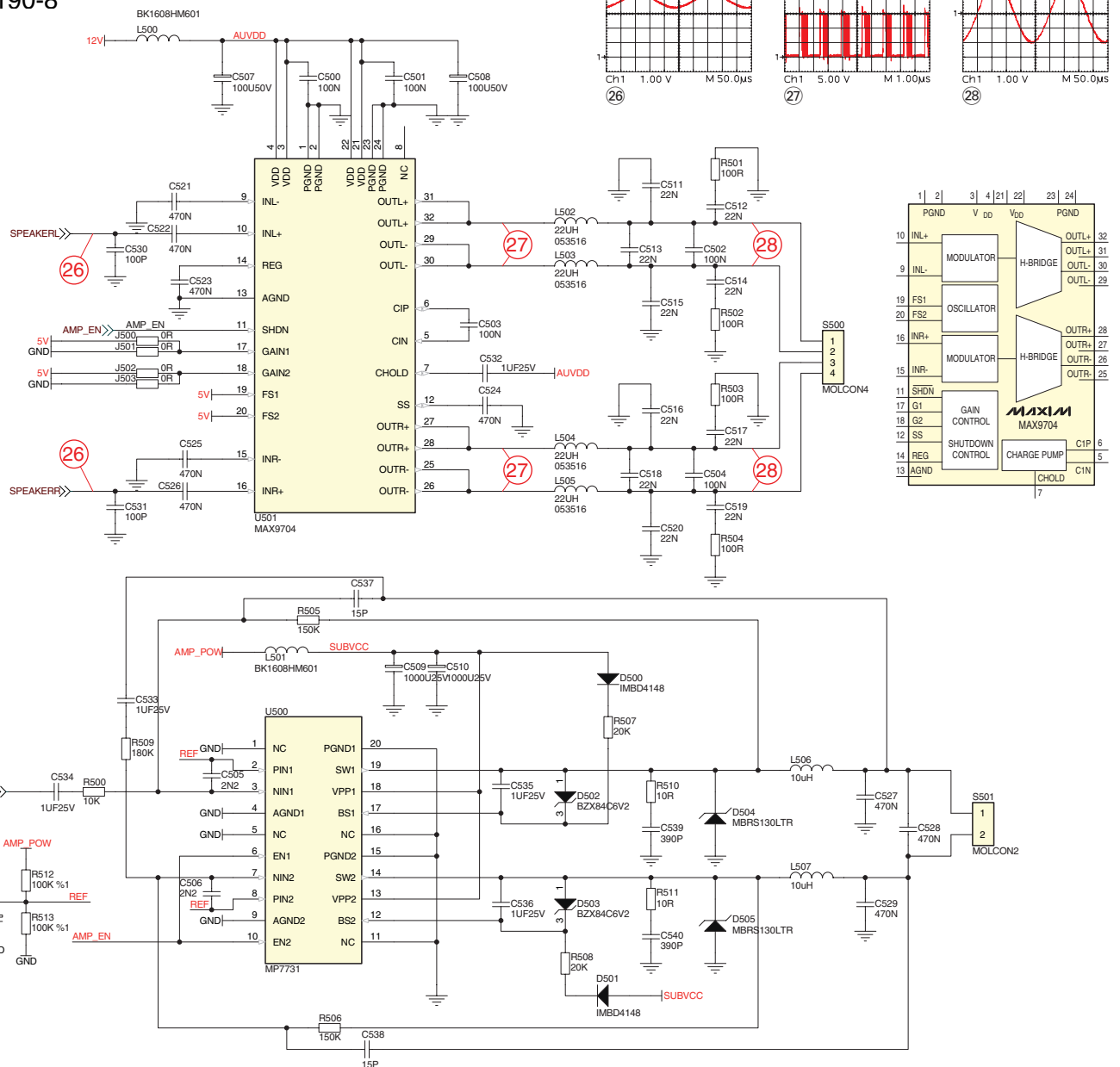
Hauptplatte – Kopfhörer / Main Board – Headphone QW1190-8



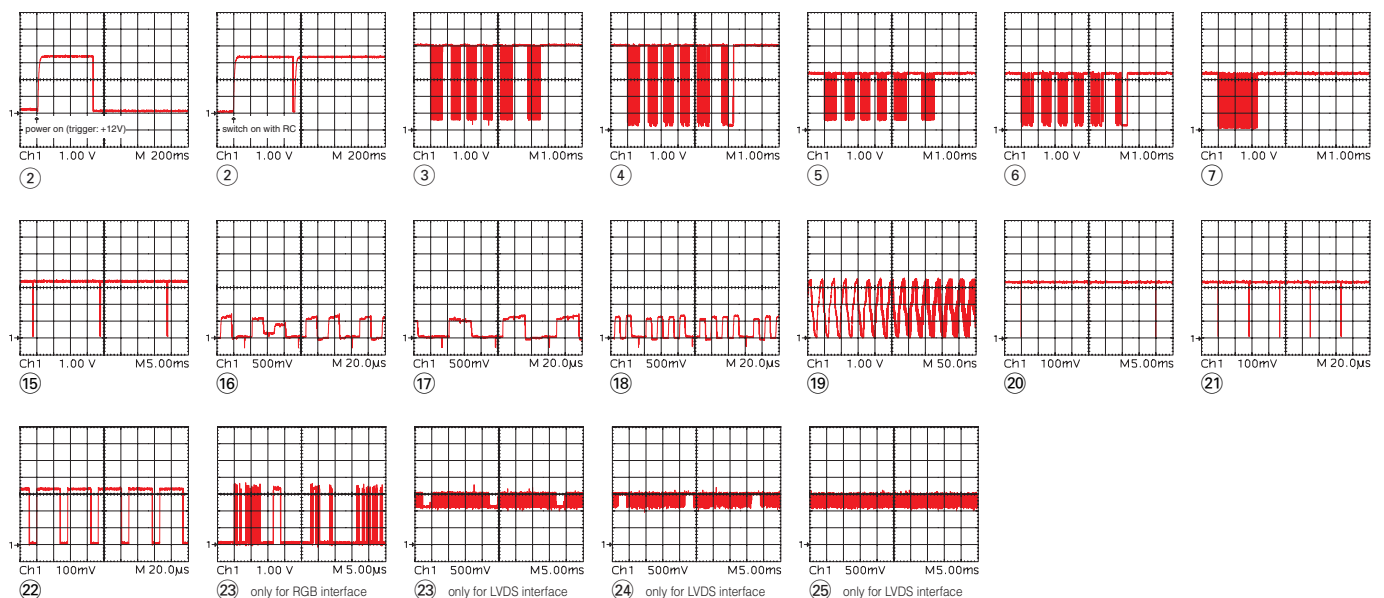
Hauptplatte – Inverter-Steuerung / Main Board – Inverter-Control QW1190-8



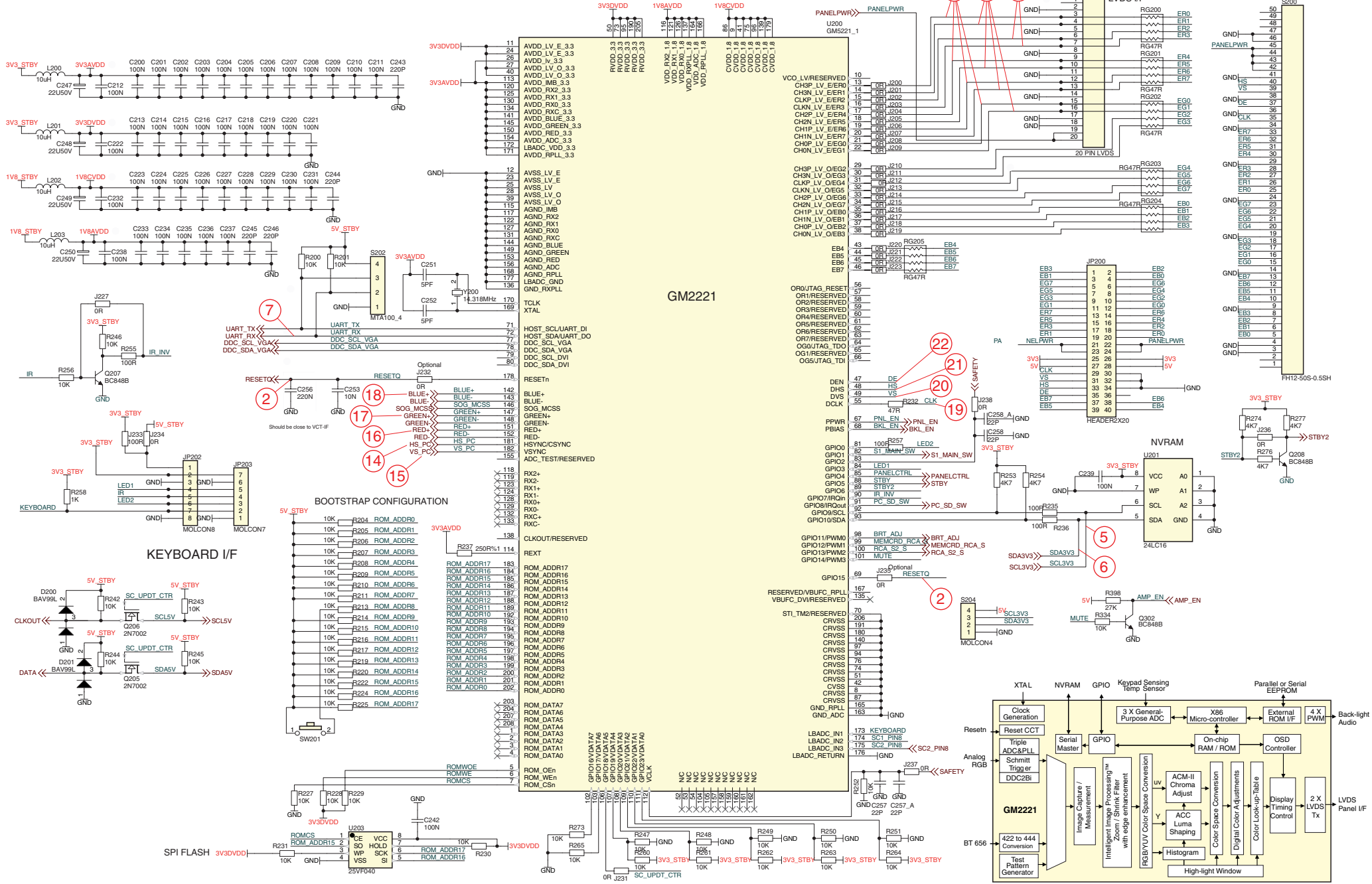
Hauptplatte – Verstärker / Main Board – Amplifier QW1190-8



Hauptplatte / Main Board – Scaler

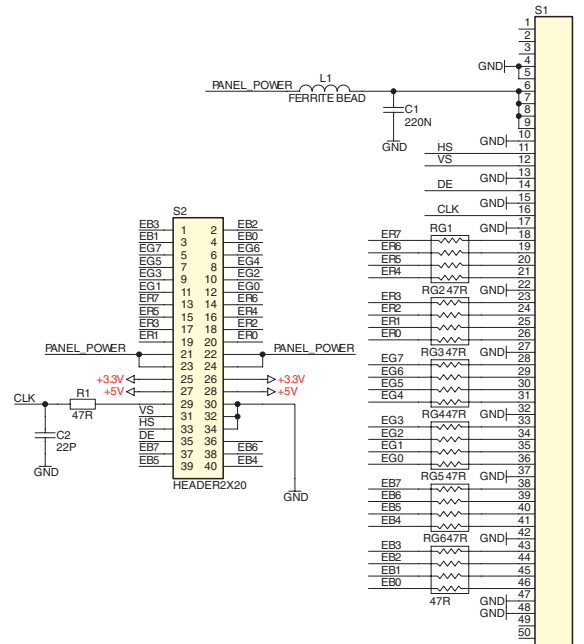
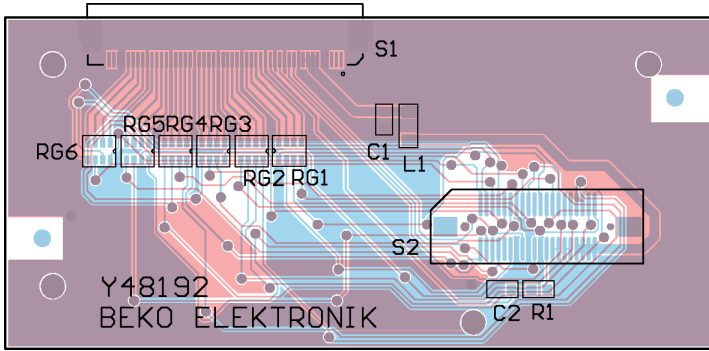


Hauptplatte / Main Board – Scaler QW1190-8



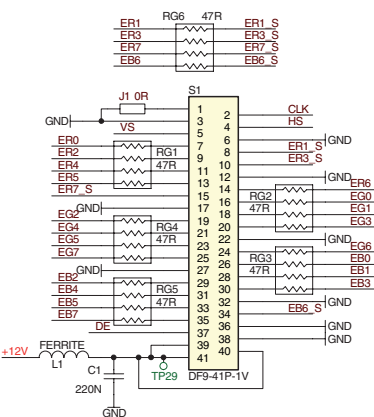
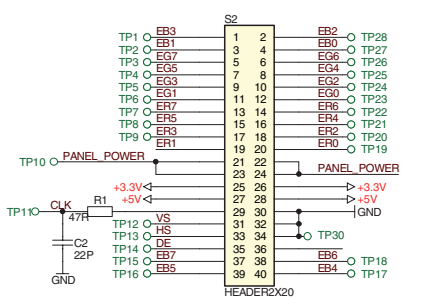
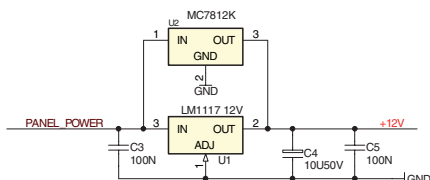
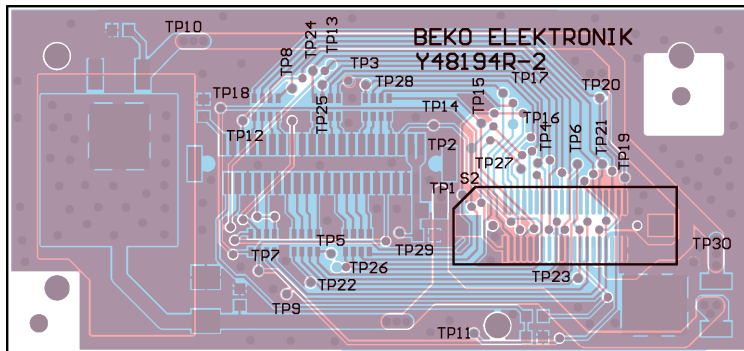
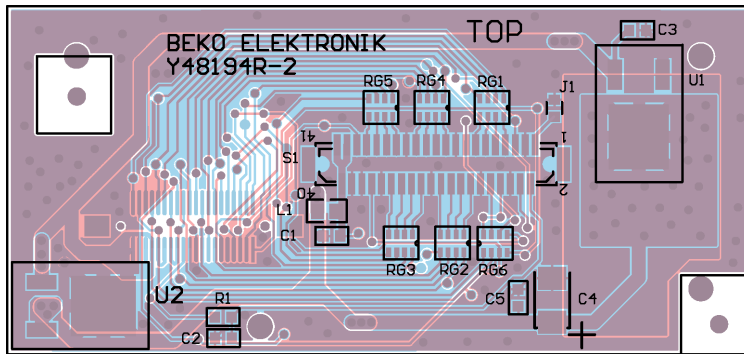
2 - 21

Zusatzplatte / Daughter Board Y48192

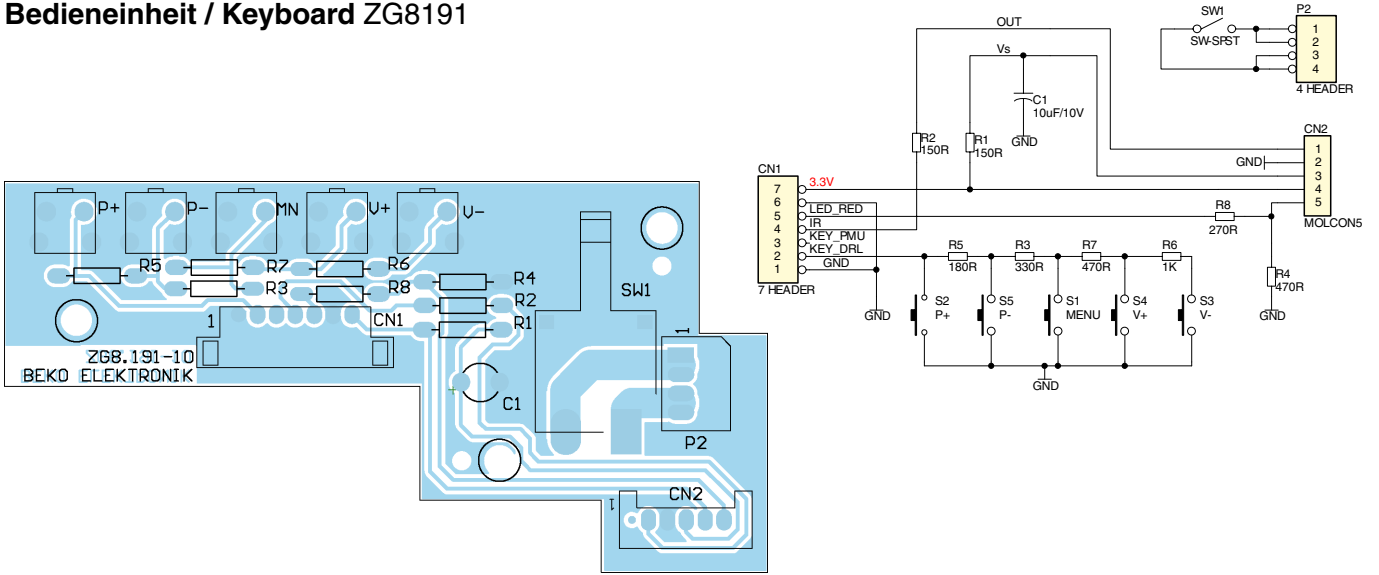


FH1260S0.5S topcontact

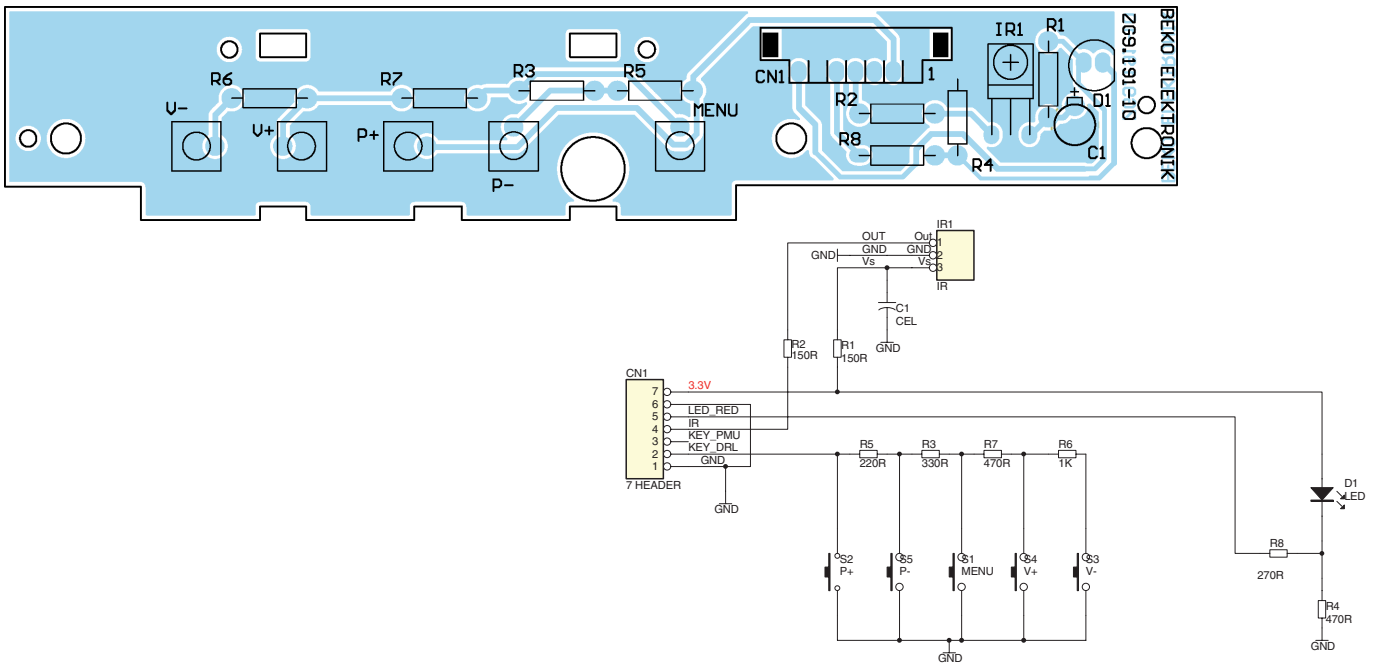
Zusatzplatte / Daughter Board Y48194



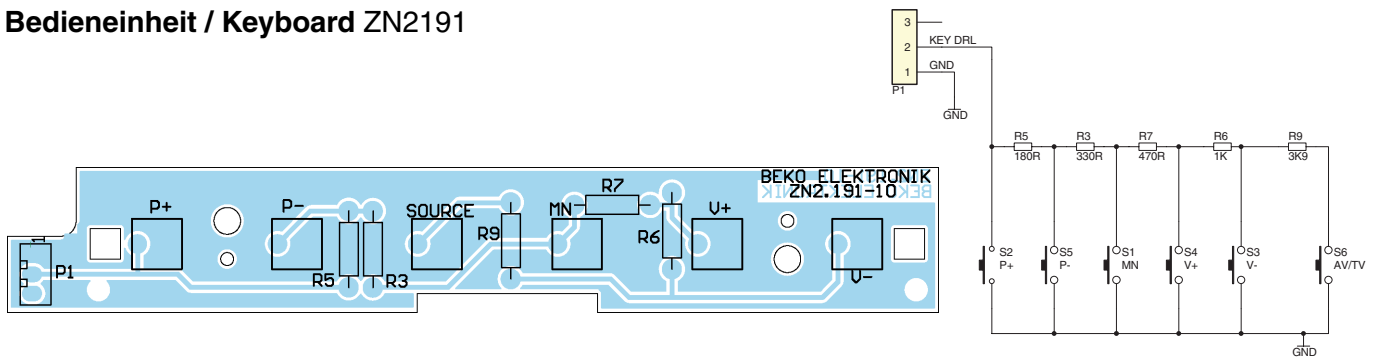
Bedieneinheit / Keyboard ZG8191



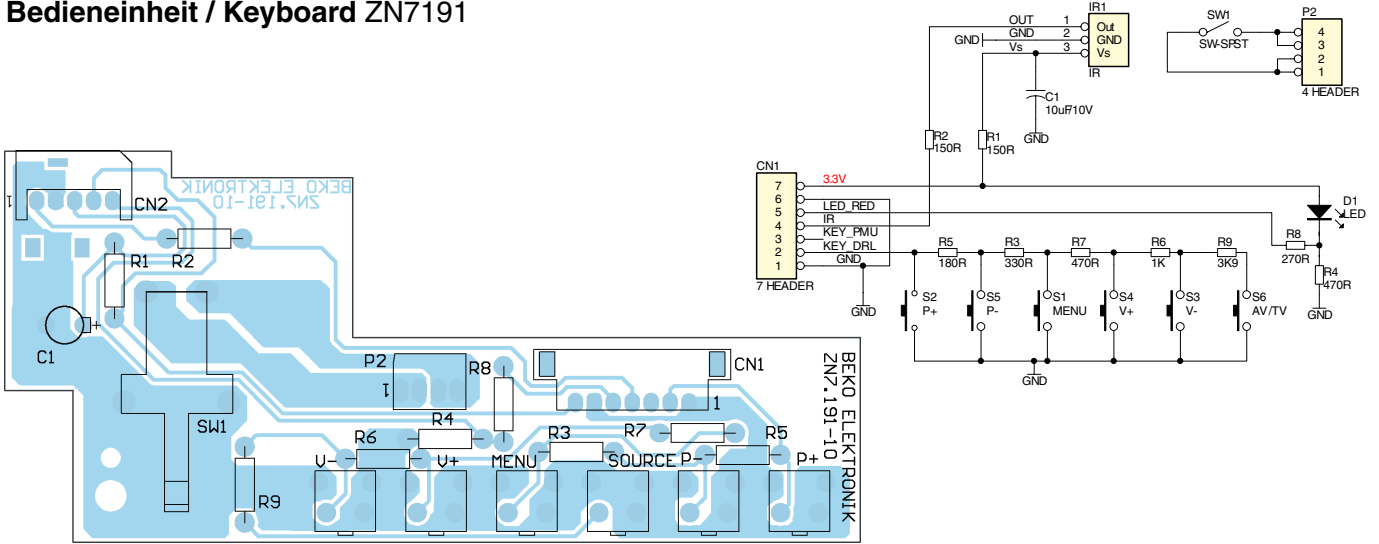
Bedieneinheit / Keyboard ZG9191



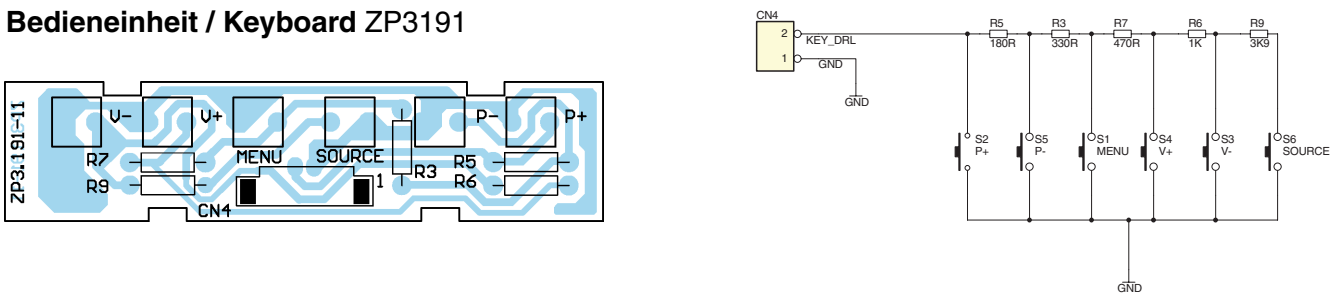
Bedieneinheit / Keyboard ZN2191



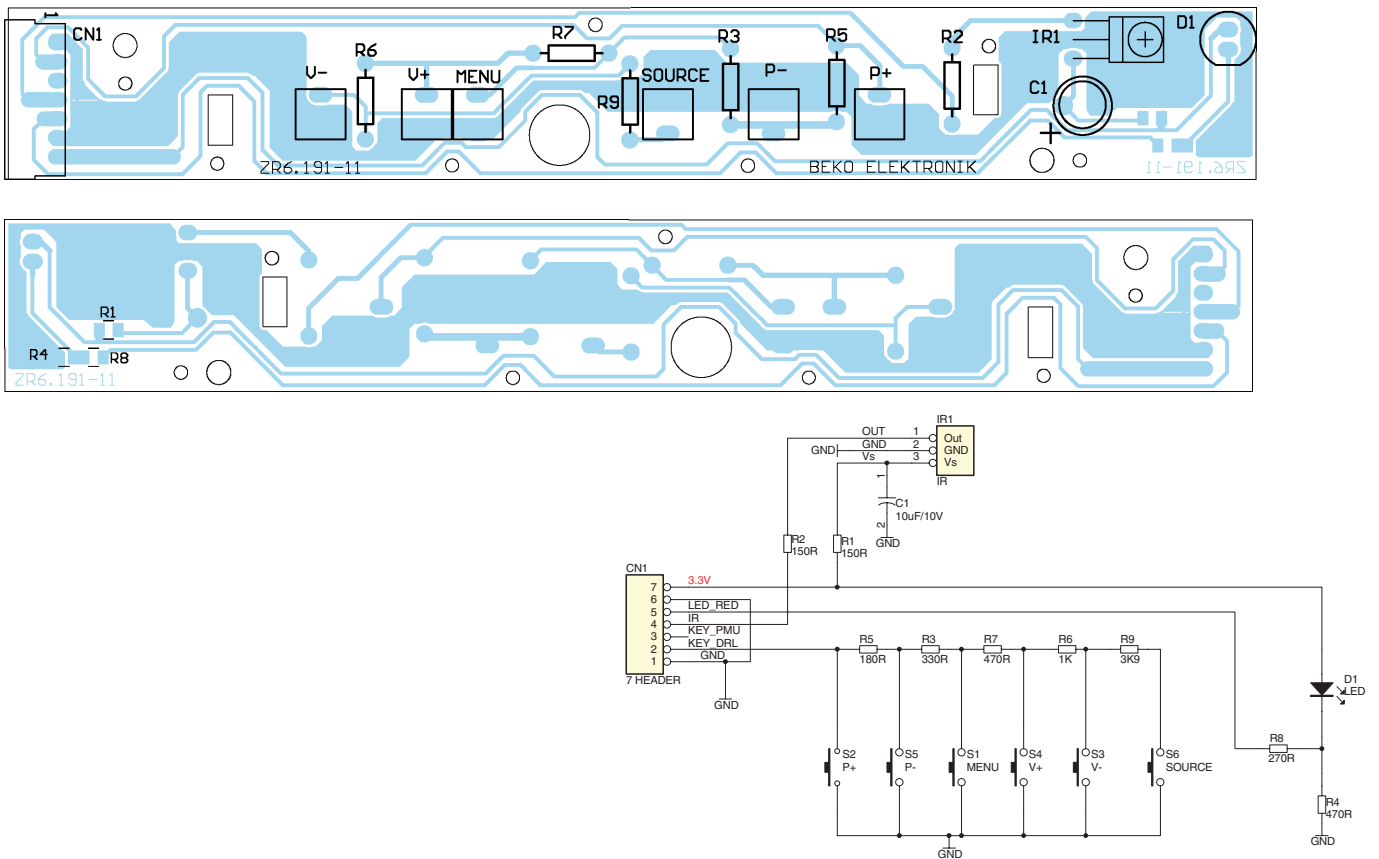
Bedieneinheit / Keyboard ZN7191



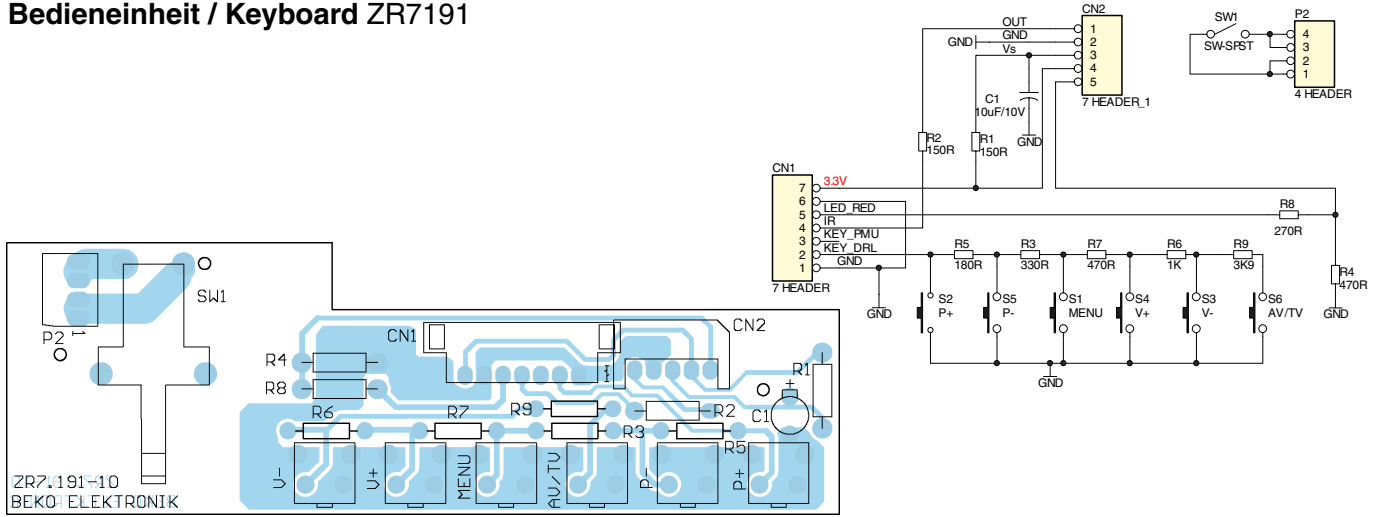
Bedieneinheit / Keyboard ZP3191



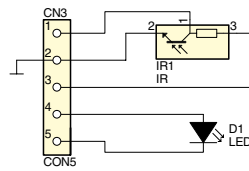
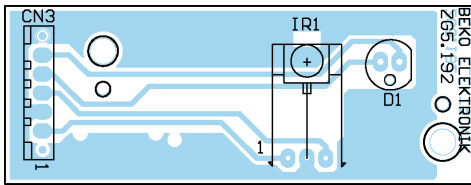
Bedieneinheit / Keyboard ZR6191



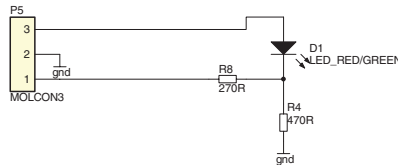
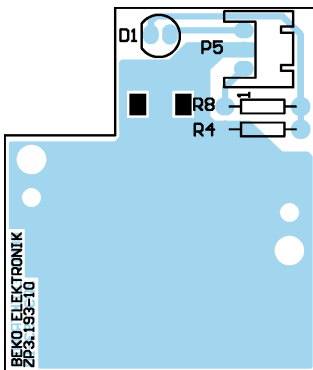
Bedieneinheit / Keyboard ZR7191



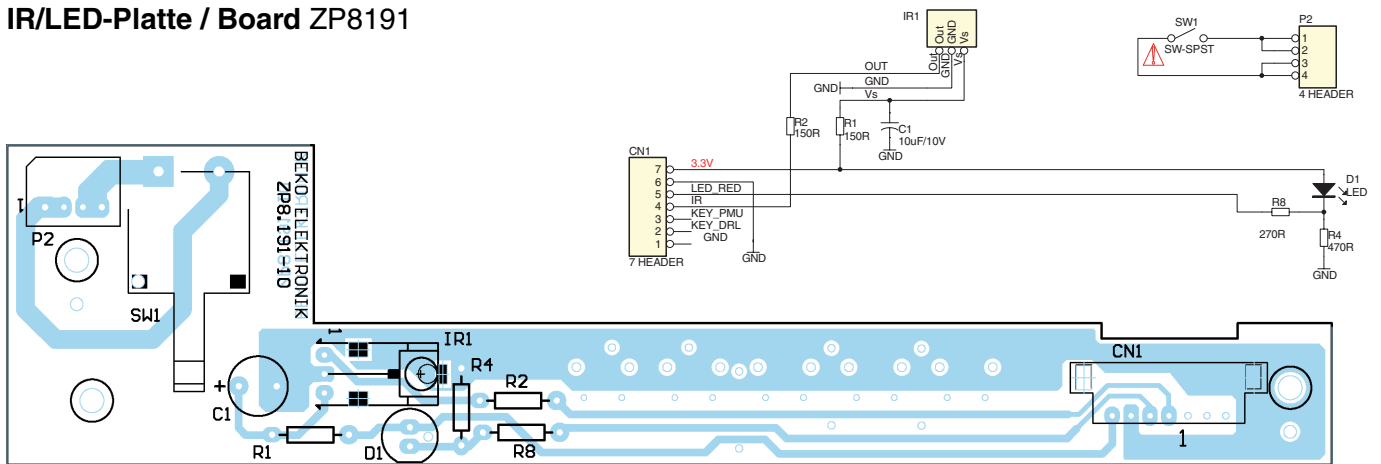
IR/LED-Platte / Board ZG5192



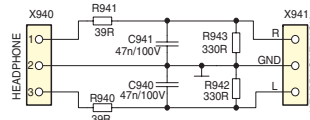
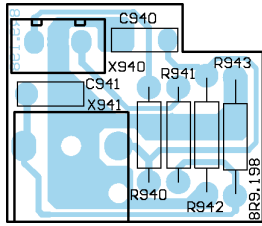
IR/LED-Platte / Board ZP3193



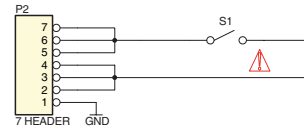
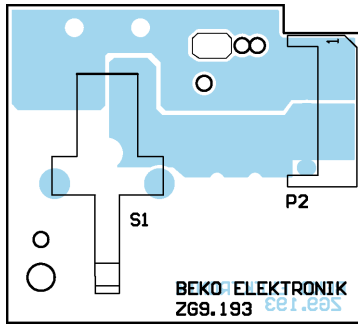
IR/LED-Platte / Board ZP8191



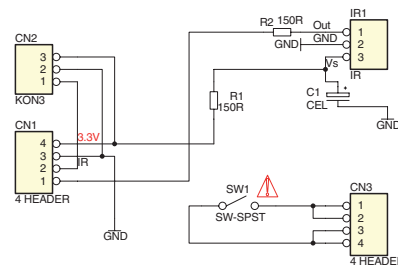
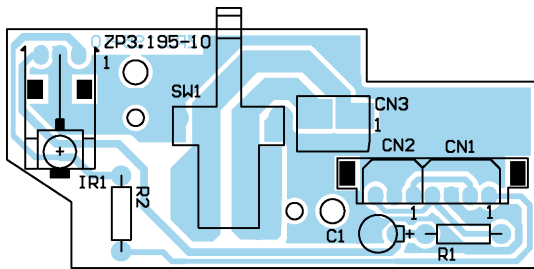
Kopfhörer-Platte / Headphone Board 8R9198



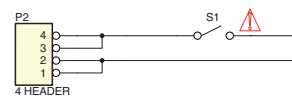
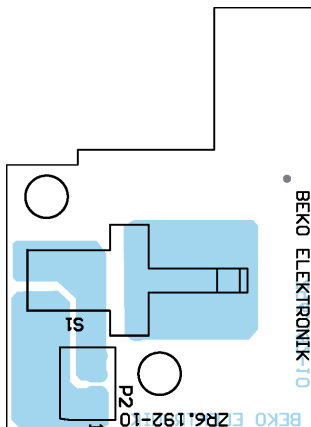
Netzschalter-Platte / Power Switch Board ZG9193



Netzschalter-Platte / Power Switch Board ZP3195



Netzschalter-Platte / Power Switch Board ZR6192



Ersatzteilliste Spare Parts List

**NUR FÜR INTERNEN GEBRAUCH
FOR INTERNAL USE ONLY**

TV

3 / 2006

AMIRA 15 LCD 38-6605 BS

ERSETZT AUSGABE 2/2006
SUBSTITUTE EDITION 2/2006

BESTELL-NR. / ORDER NO.: GBE4800 (M3Z)

POS. NR. POS. NO.	ABB. FIG.	MATERIAL-NR. PART NUMBER	ANZ. QTY.	BEZEICHNUNG (D)	DESCRIPTION (GB)
		GBE4800		AMIRA 15 LCD 38-6605 BS PRODUKTCODE M3Z KEIN E-TEIL	AMIRA 15 LCD 38-6605 BS PRODUCT CODE M3Z NO SPARE PART
0001.000		759551245100		GEH.-VORDERTEIL SILBER	FRONT CABINET SILVER
0002.000		759551245600		RUECKWAND SILBER	BACK COVER SILVER
0004.000		759551245400		BUCHSENABDECKUNG SILBER	JACK COVER SILVER
0007.000		759551256800		LAUTSPRECHER KPL. 8 OHM 3W	LOUDSPEAKER 8 OHM 3W
0010.000	△	759551213600		LCD-DISPLAY T150XG01 V1 (AU3)	LCD-DISPLAY T150XG01 V1 (AU3)
0010.000	△	759551257400		LCD-DISPLAY T150XG01 V2 (AU5)	LCD-DISPLAY T150XG01 V1 (AU5)
0014.000	△	759551020100		NETZSCHALTER SDAKLA10200	POWER SWITCH SDAKLA10200
0015.000	△	759551115300		NETZKABEL	POWER CABLE
0016.000		759551232100		KNOPF NETZ SILBER	KNOB POWER SILVER
0018.000		759551245500		KNOPF PROG/VOL SILBER	KNOB PROG/VOL SILVER
0019.000		759551245300		FUSS SILBER	FOOT SILVER
0025.000	△	275990163600	X	LP-CHASSISMODUL L5C V1 (AU3)	CHASSISBOARD L5C V1 (AU3)
0025.000	△	275990165900	X	LP-CHASSISMODUL L5C V1 (AU5)	CHASSISBOARD L5C V1 (AU5)
0027.000		720117132900		FERNBEDIENUNG TP160 C SILBER	REMOTE CONTROL TP160 C SILVER
0040.000	△	759551214500		LP-INVERTERMODUL	INVERTERBOARD
0050.000		275990214300		LP-EMPFANGSMODUL ZG5192-10	RECEIVERBOARD ZG5192-10
0060.000	△	275990035900		LP-BEDIENMODUL	CONTROLBOARD
0070.000	△	759551143200		NETZADAPTER 12V/4A	POWER ADAPTER 12V/4A
0090.000		759551213900		DAEMPfung LINKS	CUSHION LEFT
0091.000		759551214000		DAEMPfung RECHTS	CUSHION RIGHT
0092.000		759551245200		KARTON	CARTON
		720117204500		BEDIENUNGSANLEITUNG D,GB,F,I,NL,TR,PL	INSTRUCTION MANUAL D,GB,F,I,NL,TR,PL
		720117204600		BEDIENUNGSANLEITUNG S,DK,N,FIN,E,P	INSTRUCTION MANUAL S,DK,N,FIN,E,P
		720100491000		SERVICE MANUAL D/GB	SERVICE MANUAL D/GB
		720108000001		SICHERHEITSMANUAL D/GB/E/F/I	SAFETY SERVICE MANUAL D/GB/E/F/I
				X = SIEHE GESONDERTE E-LISTE	X = SEE SEPARATE PARTS LIST

Es gelten die Vorschriften und Sicherheitshinweise gemäß dem Service Manual "Sicherheit", Mat.-Nummer 720108000001, sowie zusätzlich die eventuell abweichenden, landesspezifischen Vorschriften!



The regulations and safety instructions shall be valid as provided by the "Safety" Service Manual, part number 720108000001, as well as the respective national deviations.

ÄNDERUNGEN VORBEHALTEN / SUBJECT TO ALTERATION

Ersatzteilliste Spare Parts List

**NUR FÜR INTERNEN GEBRAUCH
FOR INTERNAL USE ONLY**

TV

2 / 2006

AMIRA 17 LW 45-6605 BS

BESTELL-NR. / ORDER NO.: GBE4700 (M4A)

POS. NR. POS. NO.	ABB. FIG.	MATERIAL-NR. PART NUMBER	ANZ. QTY.	BEZEICHNUNG (D)	DESCRIPTION (GB)
		GBE4700		AMIRA 17 LW 45-6605 BS CODENR. (M4A) KEIN E-TEIL	AMIRA 17 LW 45-6605 BS CODE NO. (M4A) NO SPARE PART
0001.000		759551242900		GEH.-VORDERTEIL SILBER	FRONT CABINET SILVER
0002.000		759551243600		RUECKWAND SILBER	BACK COVER SILVER
0003.000		759551243500		BUCHSENABDECKUNG SILBER	JACK COVER SILVER
0007.000		759551202400		LAUTSPRECHER 8 OHM 5 W	LOUDSPEAKER 8 OHM 5 W
0010.000	△	759551243700		LCD-DISPLAY SHARP LQ170K1LW01/	LCD-DISPLAY SHARP LQ170K1LW01/
0014.000	△	759551020100		NETZSCHALTER SDAKLA10200	POWER SWITCH SDAKLA10200
0015.000	△	759551115300		NETZKABEL	POWER CABLE
0016.000		759551243400		KNOPF NETZ SILBER	KNOB POWER SILVER
0018.000		759551184300		KNOPF PROG/VOL SILBER	KNOB PROG/VOL SILVER
0019.000		759551243100		FUSS SILBER	FOOT SILVER
0025.000	△	275990161900	X	LP-CHASSISMODUL L5C	CHASSISBOARD L5C
0027.000		720117132900		FERNBEDIENUNG TP160 C SILBER	REMOTE CONTROL TP160 C SILVER
0060.000	△	275990213500		LP-BEDIENMODUL 17L33	CONTROLBOARD 17L33
0070.000	△	759551147300		NETZADAPTER 12 V / 5 A	POWER ADAPTER 12 V / 5 A
0080.000	△	759551243800		INVERTERMODUL 17" FUJTSU PLCD0	INVERTERBOARD 17" FUJTSU PLCD0
0090.000		759551243200		POLSTER LINKS	CUSHION LEFT
0091.000		759551243300		POLSTER RECHTS	CUSHION RIGHT
0092.000		759551243000		KARTON	CARTON
		720117204500		BEDIENUNGSANLEITUNG D,GB,F,I,NL,TR,PL	INSTRUCTION MANUAL D,GB,F,I,NL,TR,PL
		720117204600		BEDIENUNGSANLEITUNG S,DK,N,FIN,E,P	INSTRUCTION MANUAL S,DK,N,FIN,E,P
		720100491000		SERVICE MANUAL D/GB	SERVICE MANUAL D/GB
		720108000001		SICHERHEITSMANUAL D/GB/E/F/I	SAFETY SERVICE MANUAL D/GB/E/F/I
				X = SIEHE GESONDERTE E-LISTE	X = SEE SEPARATE PARTS LIST

Es gelten die Vorschriften und Sicherheitshinweise gemäß dem Service Manual "Sicherheit", Mat.-Nummer 720108000001, sowie zusätzlich die eventuell abweichenden, landesspezifischen Vorschriften!



The regulations and safety instructions shall be valid as provided by the "Safety" Service Manual, part number 720108000001, as well as the respective national deviations.

ÄNDERUNGEN VORBEHALTEN / SUBJECT TO ALTERATION

Ersatzteilliste
Spare Parts List

NUR FÜR INTERNEN GEBRAUCH
FOR INTERNAL USE ONLY

TV

2 / 2006

AMIRA 20 LCD 51-6605 BS

BESTELL-NR. / ORDER NO.: GBE4600 (M3J, M7L)

POS. NR. POS. NO.	ABB. FIG.	MATERIAL-NR. PART NUMBER	ANZ. QTY.	BEZEICHNUNG (D)	DESCRIPTION (GB)
		GBE4600		AMIRA 20 LCD 51-6605 BS CODENR. (M3J, M7L) KEIN E-TEIL	AMIRA 20 LCD 51-6605 BS CODE NO. (M3J, M7L) NO SPARE PART
0001.000		759551241000		GEH.-VORDERTEIL SILBER	FRONT CABINET SILVER
0002.000		759551241500		RUECKWAND SILBER	BACK COVER SILVER
0007.000		759551202400		LAUTSPRECHER 8 OHM 5 W	LOUDSPEAKER 8 OHM 5 W
0010.000	△	759551202500		LCD DISPLAY A201SN02 (M3J)	LCD DISPLAY A201SN02 (M3J)
0010.000	△	759551244000		LCD DISPLAY LC201-SD02 (M7L)	LCD DISPLAY LC201-SD02 (M7L)
0014.000	△	759551020100		NETZSCHALTER SDAKLA10200	POWER SWITCH SDAKLA10200
0015.000	△	759551115300		NETZKABEL	POWER CABLE
0016.000		759551232100		KNOPF NETZ SILBER	KNOB POWER SILVER
0018.000		759551241400		KNOPF PROG./VOL.	KNOB PROG./VOL.
0019.000		759551241200		FUSS SILBER	FOOT SILVER
0025.000	△	275990161300	X	LP-CHASSISMODUL L5C (M3J)	CHASSISBOARD L5C (M3J)
0025.000	△	275990162000	X	LP-CHASSISMODUL L5C (M7L)	CHASSISBOARD L5C (M7L)
0027.000		720117132900		FERNBEDIENUNG TP160 C SILBER	REMOTE CONTROL TP160 C SILVER
0030.000	△	275990162100		LP-INVERTERMODUL LC201V02-A3KB (M7L)	INVERTERBOARD LC201V02-A3KB (M7L)
0040.000		275990161400		LP-DAUGHTERMODUL	DAUGHTERBOARD
0050.000		275990213300		LP-IR-MODUL	IR-BOARD
0060.000		275990035600		LP-BEDIENMODUL (M3J)	CONTROLBOARD (M3J)
0060.000		275990213800		LP-BEDIENMODUL (M7L)	CONTROLBOARD (M7L)
0070.000	△	759551108200		NETZADAPTER 15 V 4.6 A	POWER ADAPTOR 15 V 4.6A
0080.000		275990213400		LP-KOPFHOERERMODUL	HEAD PHONE BOARD
0090.000		759551192500		POLSTER LINKS	CUSHION LEFT
0091.000		759551213500		POLSTER RECHTS	CUSHION RIGHT
0092.000		759551241100		KARTON	CARTON
		720117204500		BEDIENUNGSANLEITUNG D,GB,F,I,NL,TR,PL	INSTRUCTION MANUAL D,GB,F,I,NL,TR,PL
		720100491000		SERVICE MANUAL D/GB	SERVICE MANUAL D/GB
		720108000001		SICHERHEITSMANUAL D/GB/E/F/I	SAFETY SERVICE MANUAL D/GB/E/F/I
				X = SIEHE GESONDERTE E-LISTE	X = SEE SEPARATE PARTS LIST

Ersatzteilliste
Spare Parts List

NUR FÜR INTERNEN GEBRAUCH
FOR INTERNAL USE ONLY

TV

2 / 2006

DAVIO 20 LCD 51-4505 TOP

BESTELL-NR. / ORDER NO.: GBE5600 (M3M)

POS. NR. POS. NO.	ABB. FIG.	MATERIAL-NR. PART NUMBER	ANZ. QTY.	BEZEICHNUNG (D)	DESCRIPTION (GB)
		GBE5600		DAVIO 20 LCD 51-4505 TOP CODENR. (M3M) KEIN E-TEIL	DAVIO 20 LCD 51-4505 TOP CODE NO. (M3M) NO SPARE PART
0001.000		759551217500		GEH.-VORDERTEIL SILBER	FRONT CABINET SILVER
0002.000		759551217400		RUECKWAND SILBER	BACK COVER SILVER
0007.000		759551202400		LAUTSPRECHER 8 OHM 5 W	LOUDSPEAKER 8 OHM 5 W
0010.000	△	759551202500		LCD DISPLAY A201SN02	LCD DISPLAY A201SN02
0014.000	△	759551020100		NETZSCHALTER SDAKLA10200	POWER SWITCH SDAKLA10200
0015.000	△	759551115300		NETZKABEL	POWER CABLE
0016.000		759551217200		KNOPF PROG./VOL. SILBER	KNOB PROG./VOL. SILVER
0018.000		759551179000		KNOPF NETZ	KNOB POWER
0019.000		759551217700		FUSS SILBER	FOOT SILVER
0025.000	△	275990161300	X	LP-CHASSISMODUL L5C	CHASSISBOARD L5C
0027.000		720117132900		FERNBEDIENUNG TP160 C SILBER	REMOTE CONTROL TP160 C SILVER
0040.000	△	275990161600		LP-INVERTERMODUL A201SN02V4	INVERTERBOARD A201SN02V4
0050.000		275990161400		LP-DAUGHTERBOARD	DAUGHTERBOARD
0060.000		275990211100		LP-IR EMPFANGSMODUL	IR RECEIVERBOARD
0070.000	△	759551108200		NETZADAPTER 15 V 4.6 A	POWER ADAPTOR 15 V 4.6A
0080.000		275990211200		LP-BEDIENMODUL	CONTROLBOARD
0090.000		759551217000		DAEMPfung LINKS	CUSHION LEFT
0091.000		759551217100		DAEMPfung RECHTS	CUSHION RIGHT
0092.000		759551241700		KARTON	CARTON
		720117217500		BEDIENUNGSANLEITUNG D,F,E,P,PL	INSTRUCTION MANUAL D,F,E,P,PL
		720100491000		SERVICE MANUAL D/GB	SERVICE MANUAL D/GB
		720108000001		SICHERHEITSMANUAL D/GB/E/F/I	SAFETY SERVICE MANUAL D/GB/E/F/I
				X = SIEHE GESONDERTE E-LISTE	X = SEE SEPARATE PARTS LIST

Es gelten die Vorschriften und Sicherheitshinweise gemäß dem Service Manual "Sicherheit", Mat.-Nummer 720108000001, sowie zusätzlich die eventuell abweichenden, landesspezifischen Vorschriften!



The regulations and safety instructions shall be valid as provided by the "Safety" Service Manual, part number 720108000001, as well as the respective national deviations.

ÄNDERUNGEN VORBEHALTEN / SUBJECT TO ALTERATION

Es gelten die Vorschriften und Sicherheitshinweise gemäß dem Service Manual "Sicherheit", Mat.-Nummer 720108000001, sowie zusätzlich die eventuell abweichenden, landesspezifischen Vorschriften!



The regulations and safety instructions shall be valid as provided by the "Safety" Service Manual, part number 720108000001, as well as the respective national deviations.

ÄNDERUNGEN VORBEHALTEN / SUBJECT TO ALTERATION

BESTELL-NR. / ORDER NO.: GBD2600 (M7T)

POS. NR. POS. NO.	ABB. FIG.	MATERIAL-NR. PART NUMBER	ANZ. QTY.	BEZEICHNUNG (D)	DESCRIPTION (GB)
		GBD2600		LENARO 20 LCD 51-7606 TOP PRODUKTCODE M7T KEIN E-TEIL	LENARO 20 LCD 51-7606 TOP PRODUCT CODE M7T NO SPARE PART
0001.000		759551257700		GEH.-VORDERTEIL SILBER	FRONT CABINET SILVER
0002.000		759551258200		RUECKWAND SILBER	BACK COVER SILVER
0003.000		759551258300		BUCHSENABDECKUNG SILBER	JACK COVER SILVER
0007.000		759551202400		LAUTSPRECHER 8 OHM 5 W	LOUDSPEAKER 8 OHM 5 W
0010.000	△	759551257800		LCD-DISPLAY LQ197V3DZ82	LCD-DISPLAY LQ197V3DZ82
0014.000	△	759551255300		NETZSCHALTER SPEA121800	POWER SWITCH SPEA121800
0015.000	△	759551115300		NETZKABEL	POWER CABLE
0016.000		759551258100		KNOPF NETZ SILBER	KNOB POWER SILVER
0019.000		759551255900		FUSS SILBER	FOOT SILVER
0025.000	△	275990166000	X	LP-CHASSISMODUL L5C	CHASSISBOARD L5C
0028.000		720117138900		FERNBEDIENUNG TP 160 C SILBER	REMOTE CONTROL TP 160 C SILVER
0030.000		275990215400		LP-IR-EMPFANGSMODUL 19.7 LC(ZV5192-10)	RECEIVERBOARD 19.7 LC(ZV5192-10)
0035.000		275990215500		LP-BEDIENMODUL 19.7LCC15(QX6191-10)	CONTROLBOARD 19.7LCC15(QX6191-10)
0040.000		275990215100		LP-AV-MODUL	LP-AV-MODUL
0050.000	△	275990166200		LP-INVERTERMODUL LQ197V3DZ81	INVERTERBOARD LQ197V3DZ81
0060.000		275990166100		LP-DAUGHTERBOARD L5A	DAUGHTERBOARD L5A
0070.000	△	759551148700		NETZADAPTER 24V/5A	POWER DAPTER 24V/5A
0080.000		275990213400		LP-KOPFHOERERMODUL	HEAD PHONE BOARD
0090.000		759551257900		POLSTER LINKS	CUSHION LEFT
0091.000		759551258000		POLSTER RECHTS	CUSHION RIGHT
0092.000		759551258500		KARTON	CARTON
		720117225000		BEDIENUNGSANLEITUNG D,F,I,E,PL	INSTRUCTION MANUAL D,F,I,E,PL
		720100491000		SERVICE MANUAL D/GB	SERVICE MANUAL D/GB
		720108000001		SICHERHEITSMANUAL D/GB/E/F/I	SAFETY SERVICE MANUAL D/GB/E/F/I
				X = SIEHE GESONDERTE E-LISTE	X = SEE SEPARATE PARTS LIST

BESTELL-NR. / ORDER NO.: GBF0300 (R2A)

POS. NR. POS. NO.	ABB. FIG.	MATERIAL-NR. PART NUMBER	ANZ. QTY.	BEZEICHNUNG (D)	DESCRIPTION (GB)
		GBF0300		MONACO 20 LCD 51-9622 DL PRODUKTCODE R2A KEIN E-TEIL	MONACO 20 LCD 51-9622 DL PRODUCT CODE R2A NO SPARE PART
0001.000		759551261800		GEH.-VORDERTEIL SILBER	FRONT CABINET SILVER
0002.000		759551207200		RUECKWAND SILBER	BACK COVER SILVER
0003.000		759551207000		BUCHSENABDECKUNG SILBER	SCART COVER SILVER
0004.000		759551202900		PANEL GLAS	PANEEEL GLAS
0007.000		759551202400		LAUTSPRECHER 8 OHM 5 W	LOUDSPEAKER 8 OHM 5 W
0010.000	△	759551202500		LCD DISPLAY A201SN02	LCD DISPLAY A201SN02
0014.000	△	759551115300		NETZKABEL	POWER CABLE
0015.000	△	759551020100		NETZSCHALTER SDAKLA10200	POWER SWITCH SDAKLA10200
0016.000	△	759551179000		KNOPF NETZ	KNOB POWER
0018.000		759551207100		KNOPF SILBER PROG./VOL.	KNOB SILVER PROG./VOL.
0019.000		759551207500		FUSS SILBER	FOOT SILVER
0025.000	△	275990162200	X	LP-CHASSISMODUL L5C	CHASSISBOARD L5C
0028.000		720117138900		FERNBEDIENUNG TP 160 C SILBER	REMOTE CONTROL TP 160 C SILVER
0030.000		759551202800		IR LINSE	IR LENS
0040.000	△	275990161600		LP-INVERTERMODUL A201SN02V4	INVERTERBOARD A201SN02V4
0050.000		275990208600		LP-BEDIENMODUL	CONTROL BOARD
0055.000		275990213400		LP-KOPFHOERERMODUL	HEAD PHONE BOARD
0060.000		275990209500		LP-IR/LED MODUL	IR/LED BOARD
0070.000	△	759551108200		NETZADAPTER 15 V 4.6 A	POWER ADAPTOR 15 V 4.6A
0080.000		275990161400		LP-DAUGHTERMODUL	DAUGHTERBOARD
0090.000		759551202600		POLSTER LINKS	CUSHION LEFT
0091.000		759551202700		POLSTER RECHTS	CUSHION RIGHT
0092.000		759551261700		KARTON	CARTON
		720117216500		BEDIENUNGSANLEITUNG D,GB,F,I,NL,TR,PL	INSTRUCTION MANUAL D,GB,F,I,NL,TR,PL
		720117216600		INSTRUKTIONSMANUAL S,DK,N,FIN,E,P	INSTRUCTION MANUAL S,DK,N,FIN,E,P
		720100491000		SERVICE MANUAL D/GB	SERVICE MANUAL D/GB
		720108000001		SICHERHEITSMANUAL D/GB/E/F/I	SAFETY SERVICE MANUAL D/GB/E/F/I
				X = SIEHE GESONDERTE E-LISTE	X = SEE SEPARATE PARTS LIST

Es gelten die Vorschriften und Sicherheitshinweise gemäß dem Service Manual "Sicherheit", Mat.-Nummer 720108000001, sowie zusätzlich die eventuell abweichenden, landesspezifischen Vorschriften!



The regulations and safety instructions shall be valid as provided by the "Safety" Service Manual, part number 720108000001, as well as the respective national deviations.

ÄNDERUNGEN VORBEHALTEN / SUBJECT TO ALTERATION

Es gelten die Vorschriften und Sicherheitshinweise gemäß dem Service Manual "Sicherheit", Mat.-Nummer 720108000001, sowie zusätzlich die eventuell abweichenden, landesspezifischen Vorschriften!



The regulations and safety instructions shall be valid as provided by the "Safety" Service Manual, part number 720108000001, as well as the respective national deviations.

ÄNDERUNGEN VORBEHALTEN / SUBJECT TO ALTERATION

BESTELL-NR. / ORDER NO.: GBE4000 (M3L,M7S)

POS. NR. POS. NO.	ABB. FIG.	MATERIAL-NR. PART NUMBER	ANZ. QTY.	BEZEICHNUNG (D)	DESCRIPTION (GB)
		GBE4000		MONACO 20 LCD 51-9622 DL CODENR. (M3L,M7S) KEIN E-TEIL	MONACO 20 LCD 51-9622 DL CODE NO. (M3L,M7S) NO SPARE PART
0001.000		759551207300		GEH.-VORDERTEIL SILBER (M3L)	FRONT CABINET SILVER (M3L)
0001.000		759551244100		GEH.-VORDERTEIL SILBER (M7S)	FRONT CABINET SILVER (M7S)
0002.000		759551207200		RUECKWAND SILBER	BACK COVER SILVER
0004.000		759551207000		BUCHSENABDECKUNG SILBER	SCART COVER SILVER
0007.000		759551202400		LAUTSPRECHER 8 OHM 5 W	LOUDSPEAKER 8 OHM 5 W
0010.000	△	759551202500		LCD DISPLAY A201SN02	LCD DISPLAY A201SN02
0014.000	△	759551020100		NETZSCHALTER SDAKLA10200	POWER SWITCH SDAKLA10200
0015.000	△	759551115300		NETZKABEL	POWER CABLE
0016.000		759551179000		KNOPF NETZ	KNOB POWER
0018.000		759551207100		KNOPF SILBER PROG./VOL.	KNOB SILVER PROG./VOL.
0019.000		759551207500		FUSS SILBER	FOOT SILVER
0025.000	△	275990161500	X	LP-CHASSISMODUL L5C (M3L)	CHASSISBOARD L5C (M3L)
0025.000	△	275990162200	X	LP-CHASSISMODUL L5C (M7S)	CHASSISBOARD L5C (M7S)
0027.000		720117132900		FERNBEDIENUNG TP160 C SILBER	REMOTE CONTROL TP160 C SILVER
0040.000	△	275990161600		LP-INVERTERMODUL A201SN02V4	INVERTERBOARD A201SN02V4
0050.000		275990208600		LP-BEDIENMODUL	CONTROL BOARD
0060.000		275990209500		LP-IR/LED MODUL	IR/LED BOARD
0070.000	△	759551108200		NETZADAPTER 15 V 4.6 A	POWER ADAPTOR 15 V 4.6A
0080.000		275990161800		LP-DAUGHTERMODUL	DAUGHTERBOARD
0090.000		759551202600		POLSTER LINKS	CUSHION LEFT
0091.000		759551202700		POLSTER RECHTS	CUSHION RIGHT
0092.000		759551242800		KARTON	CARTON
		720117216500		BEDIENUNGSANLEITUNG D,GB,F,I,NL,TR,PL	INSTRUCTION MANUAL D,GB,F,I,NL,TR,PL
		720117216600		BEDIENUNGSANLEITUNG S,DK,N,FIN,E,P	INSTRUCTION MANUAL S,DK,N,FIN,E,P
		720100491000		SERVICE MANUAL D/GB	SERVICE MANUAL D/GB
		720108000001		SICHERHEITSMANUAL D/GB/E/F/I	SAFETY SERVICE MANUAL D/GB/E/F/I
				X = SIEHE GESONDERTE E-LISTE	X = SEE SEPARATE PARTS LIST

3-4

Es gelten die Vorschriften und Sicherheitshinweise gemäß dem Service Manual "Sicherheit", Mat.-Nummer 720108000001, sowie zusätzlich die eventuell abweichenden, landesspezifischen Vorschriften!



The regulations and safety instructions shall be valid as provided by the "Safety" Service Manual, part number 720108000001, as well as the respective national deviations.

ÄNDERUNGEN VORBEHALTEN / SUBJECT TO ALTERATION

BESTELL-NR. / ORDER NO.: GBF0800 (R1Z)

POS. NR. POS. NO.	ABB. FIG.	MATERIAL-NR. PART NUMBER	ANZ. QTY.	BEZEICHNUNG (D)	DESCRIPTION (GB)
		GBF0800		VISION 20 LCD 51-8610 TOP PRODUKTCODE R1Z KEIN E-TEIL	VISION 20 LCD 51-8610 TOP PRODUCT CODE R1Z NO SPARE PART
0001.000		759551273000		GEH.-VORDERTEIL SCHWARZ	FRONT CABINET BLACK
0002.000		759551203000		RUECKWAND SCHWARZ	BACK COVER BLACK
0003.000		759551203200		BUCHSENABDECKUNG SCHWARZ	JACK COVER BLACK
0004.000		759551202800		IR LINSE	IR LENS
0005.000		759551202900		PANEL GLAS	PANEEL GLAS
0007.000		759551202400		LAUTSPRECHER 8 OHM 5 W	LOUDSPEAKER 8 OHM 5 W
0010.000	△	759551115500		LCD-DISPLAY A201SN01 V.3	LCD-DISPLAY A201SN01 V.3
0014.000	△	759551115300		NETZKABEL	POWER CABLE
0015.000	△	759551020100		NETZSCHALTER SDAKLA10200	POWER SWITCH SDAKLA10200
0016.000		759551182400		KNOPF NETZ	POWER KNOB
0019.000		759551242300		FUSS	FOOT
0021.000		759551263300		KABEL DISPLAY - CHASSIS	CABLE DISPLAY - CHASSIS
0025.000	△	275990161500	X	LP-CHASSISMODUL L5C	CHASSISBOARD L5C
0027.000		720117138100		FERNBEDIENUNG TP160 C SCHWARZ	REMOTE CONTROL TP160 C BLACK
0040.000	△	275990161600		LP-INVERTERMODUL A201SN02V4	INVERTERBOARD A201SN02V4
0030.000		275990161400		LP-DAUGHTERBOARD	DAUGHTERBOARD
0060.000		275990208600		LP-BEDIENMODUL	CONTROL BOARD
0070.000	△	759551108200		NETZADAPTER 15 V 4.6 A	POWER ADAPTOR 15 V 4.6A
0080.000		275990213400		LP-KOPFHÖRERMODUL	HEAD PHONE BOARD
0090.000		759551202600		POLSTER LINKS	CUSHION LEFT
0091.000		759551202700		POLSTER RECHTS	CUSHION RIGHT
0092.000		759551273100		KARTON	CARTON
		720117205000		BEDIENUNGSANLEITUNG D,GB,F,I,NL,TR,PL	INSTRUCTION MANUAL D,GB,F,I,NL,TR,PL
		720117205100		BEDIENUNGSANLEITUNG S,DK,N,FIN,E,P	INSTRUCTION MANUAL S,DK,N,FIN,E,P
		720100491000		SERVICE MANUAL D/GB	SERVICE MANUAL D/GB
		720108000001		SICHERHEITSMANUAL D/GB/E/F/I	SAFETY SERVICE MANUAL D/GB/E/F/I
				X = SIEHE GESONDERTE E-LISTE	X = SEE SEPARATE PARTS LIST

Es gelten die Vorschriften und Sicherheitshinweise gemäß dem Service Manual "Sicherheit", Mat.-Nummer 720108000001, sowie zusätzlich die eventuell abweichenden, landesspezifischen Vorschriften!



The regulations and safety instructions shall be valid as provided by the "Safety" Service Manual, part number 720108000001, as well as the respective national deviations.

ÄNDERUNGEN VORBEHALTEN / SUBJECT TO ALTERATION

Ersatzteilliste
Spare Parts List

NUR FÜR INTERNEN GEBRAUCH
FOR INTERNAL USE ONLY

TV

2 / 2006

VISION 20 LCD 51-8610 TOP

POS. NR. POS. NO.	ABB. FIG.	MATERIAL-NR. PART NUMBER	ANZ. QTY.	BEZEICHNUNG ①	DESCRIPTION ②
BESTELL-NR. / ORDER NO.: GBE3800 (M3K)					
		GBE3800		VISION 20 LCD 51-8610 TOP CODENR. (M3K) KEIN E-TEIL	VISION 20 LCD 51-8610 TOP CODE NO. (M3K) NO SPARE PART
0001.000		759551203400		GEH.-VORDERTEIL SCHWARZ	FRONT CABINET BLACK
0002.000		759551203000		RUECKWAND SCHWARZ	BACK COVER BLACK
0003.000		759551202900		PANEL GLAS	PANEEL GLAS
0004.000		759551242500		BUCHSENABDECKUNG SCHWARZ	JACK COVER BLACK
0007.000		759551202400		LAUTSPRECHER 8 OHM 5 W	LOUDSPEAKER 8 OHM 5 W
0010.000	△	759551202500		LCD DISPLAY A201SN02	LCD DISPLAY A201SN02
0014.000	△	759551020100		NETZSCHALTER SDAKLA10200	POWER SWITCH SDAKLA10200
0015.000	△	759551115300		NETZKABEL	POWER CABLE
0016.000		759551242200		KNOPF SCHWARZ NETZ	KNOB BLACK POWER
0018.000		759551242100		KNOPF SCHWARZ PROG/VOL	KNOB BLACK PROG/VOL
0019.000		759551242300		FUSS	FOOT
0025.000	△	275990161500	X	LP-CHASSISMODUL L5C	CHASSISBOARD L5C
0027.000		720117138100		FERNBEDIENUNG TP160 C SCHWARZ	REMOTE CONTROL TP160 C BLACK
0040.000	△	275990161600		LP-INVERTERMODUL A201SN02V4	INVERTERBOARD A201SN02V4
0050.000		275990208600		LP-BEDIENMODUL	CONTROL BOARD
0060.000		275990209500		LP-IR/LED MODUL	IR/LED BOARD
0070.000	△	759551108200		NETZADAPTER 15 V 4.6 A	POWER ADAPTOR 15 V 4.6A
0080.000		275990161800		LP-DAUGHTERMODUL	DAUGHTERBOARD
0090.000		759551202600		POLSTER LINKS	CUSHION LEFT
0091.000		759551202700		POLSTER RECHTS	CUSHION RIGHT
0092.000		759551242400		KARTON	CARTON
		720117205000		BEDIENUNGSANLEITUNG D,GB,F,I,NL,TR,PL	INSTRUCTION MANUAL D,GB,F,I,NL,TR,PL
		720117205100		BEDIENUNGSANLEITUNG S,DK,N,FIN,E,P	INSTRUCTION MANUAL S,DK,N,FIN,E,P
		720100491000		SERVICE MANUAL D/GB	SERVICE MANUAL D/GB
		720108000001		SICHERHEITSMANUAL D/GB/E/F/I	SAFETY SERVICE MANUAL D/GB/E/F/I
				X = SIEHE GESONDERTE E-LISTE	X = SEE SEPARATE PARTS LIST

Ersatzteilliste
Spare Parts List

NUR FÜR INTERNEN GEBRAUCH
FOR INTERNAL USE ONLY

TV

3 / 2006

XEPHIA 15 LCD 38-5501 TOP

POS. NR. POS. NO.	ABB. FIG.	MATERIAL-NR. PART NUMBER	ANZ. QTY.	BEZEICHNUNG ①	DESCRIPTION ②
BESTELL-NR. / ORDER NO.: GBE4900 (M4D)					
		GBD2700		XEPHIA 15 LCD 38-5501 TOP PRODUKTCODE M4D KEIN E-TEIL	XEPHIA 15 LCD 38-5501 TOP PRODUCT CODE M4D NO SPARE PART
0001.000		759551256300		GEH.-VORDERTEIL SILBER	FRONT CABINET SILVER
0002.000		759551256700		RUECKWAND SILBER	BACK COVER SILVER
0003.000		759551245400		BUCHSENABDECKUNG SILBER	JACK COVER SILVER
0007.000		759551256800		LAUTSPRECHER 8 OHM 3W	LOUDSPEAKER 8 OHM 3W
0010.000	△	759551213600		LCD-DISPLAY T150XG01	LCD-DISPLAY T150XG01
0014.000	△	759551020100		NETZSCHALTER SDAKLA10200	POWER SWITCH SDAKLA10200
0015.000	△	759551115300		NETZKABEL	POWER CABLE
0016.000		759551232100		KNOPF NETZ SILBER	KNOB POWER SILVER
0018.000		759551256600		KNOPF PROG/VOL SILBER	KNOB PROG/VOL SILBER
0019.000		759551256500		FUSS SILBER	FOOT SILVER
0025.000	△	275990165800	X	LP-CHASSISMODUL L5C	CHASSISBOARD L5C
0027.000		720117138900		FERNBEDIENUNG TP160 C SILBER	REMOTE CONTROL TP160 C SILVER
0040.000	△	759551214500		LP-INVERTERMODUL	INVERTERBOARD
0060.000		275990211000		LP-BEDIENMODUL	CONTROLBOARD
0070.000	△	759551143200		NETZADAPTER 12V/4A	POWER ADAPTOR 12V/4A
0080.000		275990215200		KOPFHOERERMODUL	HEAD PHONE BOARD
0090.000		759551213900		POLSTER LINKS	CUSHION LEFT
0091.000		759551214000		POLSTER RECHTS	CUSHION RIGHT
0092.000		759551256400		KARTON	CARTON
		720117216000		BEDIENUNGSANLEITUNG F,NL	INSTRUCTION MANUAL F,NL
		720100491000		SERVICE MANUAL D/GB	SERVICE MANUAL D/GB
		720108000001		SICHERHEITSMANUAL D/GB/E/F/I	SAFETY SERVICE MANUAL D/GB/E/F/I
				X = SIEHE GESONDERTE E-LISTE	X = SEE SEPARATE PARTS LIST

Es gelten die Vorschriften und Sicherheitshinweise gemäß dem Service Manual "Sicherheit", Mat.-Nummer 720108000001, sowie zusätzlich die eventuell abweichenden, landesspezifischen Vorschriften!



The regulations and safety instructions shall be valid as provided by the "Safety" Service Manual, part number 720108000001, as well as the respective national deviations.

ÄNDERUNGEN VORBEHALTEN / SUBJECT TO ALTERATION

Es gelten die Vorschriften und Sicherheitshinweise gemäß dem Service Manual "Sicherheit", Mat.-Nummer 720108000001, sowie zusätzlich die eventuell abweichenden, landesspezifischen Vorschriften!



The regulations and safety instructions shall be valid as provided by the "Safety" Service Manual, part number 720108000001, as well as the respective national deviations.

ÄNDERUNGEN VORBEHALTEN / SUBJECT TO ALTERATION

LP-CHASSISMODUL L5C CHASSISBOARD L5C

MATERIAL-NR. / PART NO.: 275990161300

POS. NR. POS. NO.	ABB. FIG.	MATERIAL-NR. PART NUMBER	ANZ. QTY.	BEZEICHNUNG (D)	DESCRIPTION (GB)
		275990161300		LP-CHASSISMODUL L5C	CHASSISBOARD L5C

POS. NR. POS. NO.	MATERIAL-NR. PART NUMBER	BEZEICHNUNG DESCRIPTION	POS. NR. POS. NO.	MATERIAL-NR. PART NUMBER	BEZEICHNUNG DESCRIPTION
D 300	832538433000	SMD Z-DIODE BZX84C33	Q 204	759551098700	TRANS BC848BLT1G
D 301	759530510400	DIODE BAV 99	Q 207	759551098700	TRANS BC848BLT1G
D 400	759551241900	DIODE CHIP IMBD4148	Q 301	759551098700	TRANS BC848BLT1G
D 401	759530510400	DIODE BAV 99	Q 302	759551098700	TRANS BC848BLT1G
D 402	759530510400	DIODE BAV 99	Q 303	830100385800	SMD TRANS BC858B/ BC857B P
D 403	759530510400	DIODE BAV 99	Q 304	830100385800	SMD TRANS BC858B/ BC857B P
D 404	759530510400	DIODE BAV 99	Q 305	830100385800	SMD TRANS BC858B/ BC857B P
D 405	759530510400	DIODE BAV 99	Q 306	830100385800	SMD TRANS BC858B/ BC857B P
D 600	759530510400	DIODE BAV 99	Q 307	759551098700	TRANS BC848BLT1G
D 601	759530510400	DIODE BAV 99	Q 308	759551098700	TRANS BC848BLT1G
D 602	759530510400	DIODE BAV 99	Q 309	759551098700	TRANS BC848BLT1G
D 603	759530510400	DIODE BAV 99	Q 310	759551098700	TRANS BC848BLT1G
D 608	759551059700	DIODE SL 23	Q 311	830100385800	SMD TRANS BC858B/ BC857B P
F 600	△ 759550935300	SICHERUNG T5 A / 250 V	Q 312	830100385800	SMD TRANS BC858B/ BC857B P
L 200	759550451500	SPULE 10UH R0814	Q 313	830100385800	SMD TRANS BC858B/ BC857B P
L 201	759872527500	SPULE 10UH+-20% 5152324	Q 600	759551098700	TRANS BC848BLT1G
L 202	759550451500	SPULE 10UH R0814	R 213	759550987600	WIDERST. 4.7 K 1/16W
L 203	759872527500	SPULE 10UH+-20% 5152324	R 217	759550987600	WIDERST. 4.7 K 1/16W
L 300	759550451500	SPULE 10UH R0814	R 222	759550987600	WIDERST. 4.7 K 1/16W
L 301	759550451500	SPULE 10UH R0814	R 253	759550987600	WIDERST. 4.7 K 1/16W
L 302	759872527500	SPULE 10UH+-20% 5152324	R 254	759550987600	WIDERST. 4.7 K 1/16W
L 303	759872527500	SPULE 10UH+-20% 5152324	R 380	759550987600	WIDERST. 4.7 K 1/16W
L 304	759872527500	SPULE 10UH+-20% 5152324	R 381	759550987600	WIDERST. 4.7 K 1/16W
L 305	759872527500	SPULE 10UH+-20% 5152324	R 384	759550987600	WIDERST. 4.7 K 1/16W
L 306	759872527500	SPULE 10UH+-20% 5152324	S 301	759550922900	EURO AV BUCHSE
L 307	759872527500	SPULE 10UH+-20% 5152324	S 303	759550922900	EURO AV BUCHSE
L 308	759872527500	SPULE 10UH+-20% 5152324	S 600	759550966400	STECKER 2 POL.
L 309	759875214900	CHIP SPULE 8.2UH	S 601	759551203700	NETZBUCHSE
L 310	759872527500	SPULE 10UH+-20% 5152324	SAW 300	831900696700	OFWFL X6966M100 SIE
L 311	759872527500	SPULE 10UH+-20% 5152324	SW 201	759551057800	TASTSCHALTER
L 312	759550451500	SPULE 10UH R0814	TU 301	759551241600	TUNER SAMSUNG TECC2949PG39E
L 316	759872527500	SPULE 10UH+-20% 5152324	U 200	759551141600	IC GM2221
L 317	759550975200	SPULE 10 UH	U 201	759550519300	IC CHIP AT24C16AN 10SI TAPE
L 318	759550975200	SPULE 10 UH	U 203	759551114100	IC M25P40
L 319	759550975200	SPULE 10 UH	U 300	720086709300	SW IC VCT1 5LC VCT1 T8
L 321	759550975200	SPULE 10 UH	U 302	759550951600	IC MC14053BD
L 323	759550975200	SPULE 10 UH	U 303	720086709300	SW IC VCT1 L5C VCT1 T8
L 324	759550975200	SPULE 10 UH	U 400	759550969800	IC M24C02-MN5T6T
L 400	759872527500	SPULE 10UH+-20% 5152324	U 402	720086709200	SW IC PI3V512 RGB PERICOM
Q 200	759550973400	TRANS 2N002	U 501	759551242000	IC CHIP MAX9704 ST D-AUD AM
Q 201	759550973400	TRANS 2N002			
Q 202	759551098700	TRANS BC848BLT1G			
Q 203	759551098700	TRANS BC848BLT1G			

ÄNDERUNGEN VORBEHALTEN / SUBJECT TO ALTERATION

POS. NR. POS. NO.	MATERIAL-NR. PART NUMBER	BEZEICHNUNG DESCRIPTION	POS. NR. POS. NO.	MATERIAL-NR. PART NUMBER	BEZEICHNUNG DESCRIPTION
U 601	759551050800	IC NCP 1117 DT 33 RK			
U 603	759551114600	IC NCP1117DT18RK			
U 604	759550968600	TRANS FDS9933A			
U 605	759550967700	IC LM78L08ACZ			
U 606	759551050800	IC NCP 1117 DT 33 RK			
Y 200	759880686100	QUARZ SMD 14.31818MHZ/30PF			
Y 300	759550967300	QUARZ 20.25 MHZ HC49-U			

Es gelten die Vorschriften und Sicherheitshinweise gemäß dem Service Manual "Sicherheit", Mat.-Nummer 720108000001, sowie zusätzlich die eventuell abweichenden, landesspezifischen Vorschriften!



The regulations and safety instructions shall be valid as provided by the "Safety" Service Manual, part number 720108000001, as well as the respective national deviations.

ÄNDERUNGEN VORBEHALTEN / SUBJECT TO ALTERATION

2 / 2006

LP-CHASSISMODUL L5C
CHASSISBOARD L5C

MATERIAL-NR. / PART NO.: 275990161500

POS. NR. POS. NO.	ABB. FIG.	MATERIAL-NR. PART NUMBER	ANZ. QTY.	BEZEICHNUNG DESCRIPTION (D) (GB)
----------------------	--------------	-----------------------------	--------------	---

275990161500 LP-CHASSISMODUL L5C CHASSISBOARD L5C

POS. NR. POS. NO.	MATERIAL-NR. PART NUMBER	BEZEICHNUNG DESCRIPTION	POS. NR. POS. NO.	MATERIAL-NR. PART NUMBER	BEZEICHNUNG DESCRIPTION
D 300	832538433000	SMD Z-DIODE BZX84C33	Q 203	830100484800	SMD TRANS BC848B/ BC847B P
D 301	759530510400	DIODE BAV 99	Q 204	830100484800	SMD TRANS BC848B/ BC847B P
D 302	832538412000	SMD Z-DIODE BZX84C12	Q 207	830100484800	SMD TRANS BC848B/ BC847B P
D 400	759551241900	DIODE CHIP IMBD4148	Q 301	830100484800	SMD TRANS BC848B/ BC847B P
D 401	759530510400	DIODE BAV 99	Q 302	830100484800	SMD TRANS BC848B/ BC847B P
D 402	759530510400	DIODE BAV 99	Q 303	830100385800	SMD TRANS BC858B/ BC857B P
D 403	759530510400	DIODE BAV 99	Q 304	830100385800	SMD TRANS BC858B/ BC857B P
D 404	759530510400	DIODE BAV 99	Q 305	830100385800	SMD TRANS BC858B/ BC857B P
D 405	759530510400	DIODE BAV 99	Q 306	830100385800	SMD TRANS BC858B/ BC857B P
D 600	759530510400	DIODE BAV 99	Q 307	830100484800	SMD TRANS BC848B/ BC847B P
D 601	759530510400	DIODE BAV 99	Q 308	830100484800	SMD TRANS BC848B/ BC847B P
D 602	759530510400	DIODE BAV 99	Q 309	830100484800	SMD TRANS BC848B/ BC847B P
D 603	759530510400	DIODE BAV 99	Q 310	830100484800	SMD TRANS BC848B/ BC847B P
D 608	759551059700	DIODE SL 23	Q 311	830100385800	SMD TRANS BC858B/ BC857B P
			Q 312	830100385800	SMD TRANS BC858B/ BC857B P
			Q 313	830100385800	SMD TRANS BC858B/ BC857B P
			Q 600	830100484800	SMD TRANS BC848B/ BC847B P
F 600	△ 759550935300	SICHERUNG T5 A / 250 V	S 301	759550922900	EURO AV BUCHSE
L 200	759550451500	SPULE 10UH R0814	S 303	759550922900	EURO AV BUCHSE
L 201	759872527500	SPULE 10UH+-20% 5152324	S 600	759550966400	STECKER 2 POL.
L 202	759550451500	SPULE 10UH R0814	S 601	759551242600	NETZBUCHSE DC KLD-0202-B
L 203	759872527500	SPULE 10UH+-20% 5152324	SAW 300	831900696700	OFWFL X6966M100 SIE
L 300	759550451500	SPULE 10UH R0814	TU 301	759551241600	TUNER SAMSUNG TECC2949PG39E
L 301	759550451500	SPULE 10UH R0814	U 200	759551141600	IC GM2221
L 302	759872527500	SPULE 10UH+-20% 5152324	U 201	759550919300	IC CHIP AT24C16AN 10SI TAPE
L 303	759872527500	SPULE 10UH+-20% 5152324	U 203	759551114100	IC M25P40
L 304	759872527500	SPULE 10UH+-20% 5152324	U 300	759540209400	IC TDA 1308T/N1
L 305	759872527500	SPULE 10UH+-20% 5152324	U 302	759550951600	IC MC14053BD
L 306	759872527500	SPULE 10UH+-20% 5152324	U 303	720086709300	SW IC VCTI 5LC VCTI T8
L 307	759872527500	SPULE 10UH+-20% 5152324	U 400	759550969800	IC M24C02-MNST6T
L 308	759872527500	SPULE 10UH+-20% 5152324	U 402	720086709200	SW IC PI3V512 RGB PERICOM
L 309	759875214900	CHIP SPULE 8.2UH	U 501	759551242000	IC CHIP MAX9704 ST D-AUD AM
L 310	759872527500	SPULE 10UH+-20% 5152324	U 600	759551242700	IC MP1593DN-LF-Z DC-DC
L 311	759872527500	SPULE 10UH+-20% 5152324	U 601	759551050800	IC NCP 1117 DT 33 RK
L 312	759550451500	SPULE 10UH R0814	U 603	759551114600	IC NCP1117DT18RK
L 316	759872527500	SPULE 10UH+-20% 5152324	U 604	759550968600	TRANS FDS9933A
L 317	759550975200	SPULE 10 UH	U 605	759550967700	IC LM78L08ACZ
L 318	759550975200	SPULE 10 UH	U 606	759551050800	IC NCP 1117 DT 33 RK
L 319	759550975200	SPULE 10 UH	Y 200	759880686100	QUARZ SMD 14.31818MHZ/30PF
L 321	759550975200	SPULE 10 UH	Y 300	759550967300	QUARZ 20.25 MHZ HC49-U
L 323	759550975200	SPULE 10 UH			
L 324	759550975200	SPULE 10 UH			
L 400	759872527500	SPULE 10UH+-20% 5152324			
Q 200	759550973400	TRANS 2N002			
Q 201	759550973400	TRANS 2N002			
Q 202	830100484800	SMD TRANS BC848B/ BC847B P			

ÄNDERUNGEN VORBEHALTEN / SUBJECT TO ALTERATION

2 / 2006

LP-CHASSISMODUL L5C
CHASSISBOARD L5C

MATERIAL-NR. / PART NO.: 275990161900

POS. NR. POS. NO.	ABB. FIG.	MATERIAL-NR. PART NUMBER	ANZ. QTY.	BEZEICHNUNG DESCRIPTION (D) (GB)
----------------------	--------------	-----------------------------	--------------	---

275990161900 LP-CHASSISMODUL L5C CHASSISBOARD L5C

POS. NR. POS. NO.	MATERIAL-NR. PART NUMBER	BEZEICHNUNG DESCRIPTION	POS. NR. POS. NO.	MATERIAL-NR. PART NUMBER	BEZEICHNUNG DESCRIPTION
D 300	832538433000	SMD Z-DIODE BZX84C33	Q 204	759551098700	TRANS BC848BLT1G
D 301	759530510400	DIODE BAV 99	Q 207	759551098700	TRANS BC848BLT1G
D 400	759530510400	DIODE BAV 99	Q 301	759551098700	TRANS BC848BLT1G
D 401	759530510400	DIODE BAV 99	Q 302	759551098700	TRANS BC848BLT1G
D 402	759530510400	DIODE BAV 99	Q 303	830100385800	SMD TRANS BC858B/ BC857B P
D 403	759530510400	DIODE BAV 99	Q 304	830100385800	SMD TRANS BC858B/ BC857B P
D 404	759530510400	DIODE BAV 99	Q 305	830100385800	SMD TRANS BC858B/ BC857B P
D 405	759530510400	DIODE BAV 99	Q 306	830100385800	SMD TRANS BC858B/ BC857B P
D 600	759530510400	DIODE BAV 99	Q 307	759551098700	TRANS BC848BLT1G
D 601	759530510400	DIODE BAV 99	Q 308	759551098700	TRANS BC848BLT1G
D 602	759530510400	DIODE BAV 99	Q 309	759551098700	TRANS BC848BLT1G
D 603	759530510400	DIODE BAV 99	Q 310	759551098700	TRANS BC848BLT1G
D 608	759551059700	DIODE SL 23	Q 311	830100385800	SMD TRANS BC858B/ BC857B P
			Q 312	830100385800	SMD TRANS BC858B/ BC857B P
			Q 313	830100385800	SMD TRANS BC858B/ BC857B P
			Q 600	759551098700	TRANS BC848BLT1G
F 600	△ 759550935300	SICHERUNG T5 A / 250 V	S 301	759550922900	EURO AV BUCHSE
L 200	759550451500	SPULE 10UH R0814	S 303	759550922900	EURO AV BUCHSE
L 201	759872527500	SPULE 10UH+-20% 5152324	S 600	759550966400	STECKER 2 POL.
L 202	759550451500	SPULE 10UH R0814	S 601	759551242600	NETZBUCHSE DC KLD-0202-B
L 203	759872527500	SPULE 10UH+-20% 5152324	SAW 300	831900696700	OFWFL X6966M100 SIE
L 300	759550451500	SPULE 10UH R0814	SW 201	759551057800	TASTSCHALTER
L 301	759550451500	SPULE 10UH R0814	TU 301	759551241600	TUNER SAMSUNG TECC2949PG39E
L 302	759872527500	SPULE 10UH+-20% 5152324	U 200	759551141600	IC GM2221
L 303	759872527500	SPULE 10UH+-20% 5152324	U 201	759550919300	IC CHIP AT24C16AN 10SI TAPE
L 304	759872527500	SPULE 10UH+-20% 5152324	U 203	759551114100	IC M25P40
L 305	759872527500	SPULE 10UH+-20% 5152324	U 300	759540209400	IC TDA 1308T/N1
L 306	759872527500	SPULE 10UH+-20% 5152324	U 302	759550951600	IC MC14053BD
L 307	759872527500	SPULE 10UH+-20% 5152324	U 303	720086709300	SW IC VCTI 5LC VCTI T8
L 308	759872527500	SPULE 10UH+-20% 5152324	U 400	759550969800	IC M24C02-MNST6T
L 309	759875214900	CHIP SPULE 8.2UH	U 402	720086709200	SW IC PI3V512 RGB PERICOM
L 310	759872527500	SPULE 10UH+-20% 5152324	U 501	759551242000	IC CHIP MAX9704 ST D-AUD AM
L 311	759872527500	SPULE 10UH+-20% 5152324	U 600	759551242700	IC MP1593DN-LF-Z DC-DC
L 312	759550451500	SPULE 10UH R0814	U 601	759551050800	IC NCP 1117 DT 33 RK
L 316	759872527500	SPULE 10UH+-20% 5152324	U 603	759551114600	IC NCP1117DT18RK
L 317	759550975200	SPULE 10 UH	U 604	759550968600	TRANS FDS9933A
L 318	759550975200	SPULE 10 UH	U 605	759550967700	IC LM78L08ACZ
L 319	759550975200	SPULE 10 UH	U 606	759551050800	IC NCP 1117 DT 33 RK
L 321	759550975200	SPULE 10 UH	Y 200	759880686100	QUARZ SMD 14.31818MHZ/30PF
L 323	759550975200	SPULE 10 UH	Y 300	759550967300	QUARZ 20.25 MHZ HC49-U
L 324	759550975200	SPULE 10 UH			
L 400	759872527500	SPULE 10UH+-20% 5152324			
Q 200	759550973400	TRANS 2N002			
Q 201	759550973400	TRANS 2N002			
Q 202	830100484800	SMD TRANS BC848BLT1G			
Q 203	759551098700	TRANS BC848BLT1G			

ÄNDERUNGEN VORBEHALTEN / SUBJECT TO ALTERATION

2 / 2006

LP-CHASSISMODUL L5C
CHASSISBOARD L5C

MATERIAL-NR. / PART NO.: 275990162000

POS. NR. POS. NO.	ABB. FIG.	MATERIAL-NR. PART NUMBER	ANZ. QTY.	BEZEICHNUNG DESCRIPTION
----------------------	--------------	-----------------------------	--------------	----------------------------

275990162000 LP-CHASSISMODUL L5C CHASSISBOARD L5C

POS. NR. POS. NO.	MATERIAL-NR. PART NUMBER	BEZEICHNUNG DESCRIPTION	POS. NR. POS. NO.	MATERIAL-NR. PART NUMBER	BEZEICHNUNG DESCRIPTION
D 300	832538433000	SMD Z-DIODE BZX84C33	Q 203	830100484800	SMD TRANS BC848B/ BC847B P
D 301	759530510400	DIODE BAV 99	Q 204	830100484800	SMD TRANS BC848B/ BC847B P
D 302	832538412000	SMD Z-DIODE BZX84C12	Q 207	830100484800	SMD TRANS BC848B/ BC847B P
D 400	759551241900	DIODE CHIP IMBD4148	Q 301	830100484800	SMD TRANS BC848B/ BC847B P
D 401	759530510400	DIODE BAV 99	Q 302	830100484800	SMD TRANS BC848B/ BC847B P
D 402	759530510400	DIODE BAV 99	Q 303	830100385800	SMD TRANS BC858B/ BC857B P
D 403	759530510400	DIODE BAV 99	Q 304	830100385800	SMD TRANS BC858B/ BC857B P
D 404	759530510400	DIODE BAV 99	Q 305	830100385800	SMD TRANS BC858B/ BC857B P
D 405	759530510400	DIODE BAV 99	Q 306	830100385800	SMD TRANS BC858B/ BC857B P
D 600	759530510400	DIODE BAV 99	Q 307	830100484800	SMD TRANS BC848B/ BC847B P
D 601	759530510400	DIODE BAV 99	Q 308	830100484800	SMD TRANS BC848B/ BC847B P
D 602	759530510400	DIODE BAV 99	Q 309	830100484800	SMD TRANS BC848B/ BC847B P
D 603	759530510400	DIODE BAV 99	Q 310	830100484800	SMD TRANS BC848B/ BC847B P
D 608	759551059700	DIODE SL 23	Q 311	830100385800	SMD TRANS BC858B/ BC857B P
F 600	△ 759550935300	SICHERUNG T5 A / 250 V	Q 312	830100385800	SMD TRANS BC858B/ BC857B P
L 200	759550451500	SPULE 10UH R0814	Q 313	830100385800	SMD TRANS BC858B/ BC857B P
L 201	759872527500	SPULE 10UH+-20% 5152324	Q 600	830100484800	SMD TRANS BC848B/ BC847B P
L 202	759550451500	SPULE 10UH R0814	S 301	759550922900	EURO AV BUCHSE
L 203	759872527500	SPULE 10UH+-20% 5152324	S 303	759550922900	EURO AV BUCHSE
L 300	759550451500	SPULE 10UH R0814	S 600	759550966400	STECKER 2 POL.
L 301	759550451500	SPULE 10UH R0814	S 601	759551242600	NETZBUCHSE DC KLD-0202-B
L 302	759872527500	SPULE 10UH+-20% 5152324	SAW 300	831900696700	OFWFIL X6966M100 SIE
L 303	759872527500	SPULE 10UH+-20% 5152324	SW 201	759551057800	TASTSCHALTER
L 304	759872527500	SPULE 10UH+-20% 5152324	TU 301	759551241600	TUNER SAMSUNG TECC2949PG39E
L 305	759872527500	SPULE 10UH+-20% 5152324	U 200	759551141600	IC GM2221
L 306	759872527500	SPULE 10UH+-20% 5152324	U 201	759550519300	IC CHIP AT24C16AN 10SI TAPE
L 307	759872527500	SPULE 10UH+-20% 5152324	U 203	759551114100	IC M25P40
L 308	759872527500	SPULE 10UH+-20% 5152324	U 300	759540209400	IC TDA 1308T/N1
L 309	759875214900	CHIP SPULE 8.2UH	U 302	759550951600	IC MC14053BD
L 310	759872527500	SPULE 10UH+-20% 5152324	U 303	720086709300	SW IC VCTI 5LC VCTI T8
L 311	759872527500	SPULE 10UH+-20% 5152324	U 400	759550969800	IC M24C02-MNST6T
L 312	759550451500	SPULE 10UH R0814	U 402	720086709200	SW IC PI3V512 RGB PERICOM
L 316	759872527500	SPULE 10UH+-20% 5152324	U 501	759551242000	IC CHIP MAX9704 ST D-AUD AM
L 317	759550975200	SPULE 10 UH	U 600	759551242700	IC MP1593DN-LF-Z DC-DC
L 318	759550975200	SPULE 10 UH	U 601	759551050800	IC NCP 1117 DT 33 RK
L 319	759550975200	SPULE 10 UH	U 603	759551114600	IC NCP1117DT18RK
L 321	759550975200	SPULE 10 UH	U 604	759550968600	TRANS FDS9933A
L 323	759550975200	SPULE 10 UH	U 605	759550967700	IC LM78L08ACZ
L 324	759550975200	SPULE 10 UH	U 606	759551050800	IC NCP 1117 DT 33 RK
L 400	759872527500	SPULE 10UH+-20% 5152324	Y 200	759880686100	QUARZ SMD 14.31818MHZ/30PF
Q 200	759550973400	TRANS 2N002	Y 300	759550967300	QUARZ 20.25 MHZ HC49-U
Q 201	759550973400	TRANS 2N002			
Q 202	830100484800	SMD TRANS BC848B/ BC847B P			

ÄNDERUNGEN VORBEHALTEN / SUBJECT TO ALTERATION

2 / 2006

LP-CHASSISMODUL L5C
CHASSISBOARD L5C

MATERIAL-NR. / PART NO.: 275990162200

POS. NR. POS. NO.	ABB. FIG.	MATERIAL-NR. PART NUMBER	ANZ. QTY.	BEZEICHNUNG DESCRIPTION
----------------------	--------------	-----------------------------	--------------	----------------------------

275990162200 LP-CHASSISMODUL L5C CHASSISBOARD L5C

POS. NR. POS. NO.	MATERIAL-NR. PART NUMBER	BEZEICHNUNG DESCRIPTION	POS. NR. POS. NO.	MATERIAL-NR. PART NUMBER	BEZEICHNUNG DESCRIPTION
D 300	832538433000	SMD Z-DIODE BZX84C33	Q 203	759551098700	TRANS BC848BLT1G
D 301	759530510400	DIODE BAV 99	Q 204	759551098700	TRANS BC848BLT1G
D 302	832538412000	SMD Z-DIODE BZX84C12	Q 207	759551098700	TRANS BC848BLT1G
D 400	759551241900	DIODE CHIP IMBD4148	Q 301	759551098700	TRANS BC848BLT1G
D 401	759530510400	DIODE BAV 99	Q 302	759551098700	TRANS BC848BLT1G
D 402	759530510400	DIODE BAV 99	Q 303	830100385800	SMD TRANS BC858B/ BC857B P
D 403	759530510400	DIODE BAV 99	Q 304	830100385800	SMD TRANS BC858B/ BC857B P
D 404	759530510400	DIODE BAV 99	Q 305	830100385800	SMD TRANS BC858B/ BC857B P
D 405	759530510400	DIODE BAV 99	Q 306	830100385800	SMD TRANS BC858B/ BC857B P
D 600	759530510400	DIODE BAV 99	Q 307	759551098700	TRANS BC848BLT1G
D 601	759530510400	DIODE BAV 99	Q 308	759551098700	TRANS BC848BLT1G
D 602	759530510400	DIODE BAV 99	Q 309	759551098700	TRANS BC848BLT1G
D 603	759530510400	DIODE BAV 99	Q 310	759551098700	TRANS BC848BLT1G
D 608	759551059700	DIODE SL 23	Q 311	830100385800	SMD TRANS BC858B/ BC857B P
F 600	△ 759550935300	SICHERUNG T5 A / 250 V	Q 312	830100385800	SMD TRANS BC858B/ BC857B P
L 200	759550451500	SPULE 10UH R0814	Q 313	830100385800	SMD TRANS BC858B/ BC857B P
L 201	759872527500	SPULE 10UH+-20% 5152324	Q 600	759551098700	TRANS BC848BLT1G
L 202	759550451500	SPULE 10UH R0814	S 301	759550922900	EURO AV BUCHSE
L 203	759872527500	SPULE 10UH+-20% 5152324	S 303	759550922900	EURO AV BUCHSE
L 300	759550451500	SPULE 10UH R0814	S 600	759550966400	STECKER 2 POL.
L 301	759550451500	SPULE 10UH R0814	S 601	759551242600	NETZBUCHSE DC KLD-0202-B
L 302	759872527500	SPULE 10UH+-20% 5152324	SAW 300	831900696700	OFWFIL X6966M100 SIE
L 303	759872527500	SPULE 10UH+-20% 5152324	SW 201	759551057800	TASTSCHALTER
L 304	759872527500	SPULE 10UH+-20% 5152324	TU 301	759551241600	TUNER SAMSUNG TECC2949PG39E
L 305	759872527500	SPULE 10UH+-20% 5152324	U 200	759551141600	IC GM2221
L 306	759872527500	SPULE 10UH+-20% 5152324	U 201	759550519300	IC CHIP AT24C16AN 10SI TAPE
L 307	759872527500	SPULE 10UH+-20% 5152324	U 203	759551114100	IC M25P40
L 308	759872527500	SPULE 10UH+-20% 5152324	U 300	759540209400	IC TDA 1308T/N1
L 309	759875214900	CHIP SPULE 8.2UH	U 302	759550951600	IC MC14053BD
L 310	759872527500	SPULE 10UH+-20% 5152324	U 303	720086709100	SW IC VCTI L5C VCTI T8
L 311	759872527500	SPULE 10UH+-20% 5152324	U 400	759550969800	IC M24C02-MNST6T
L 312	759550451500	SPULE 10UH R0814	U 402	720086709200	SW IC PI3V512 RGB PERICOM
L 316	759872527500	SPULE 10UH+-20% 5152324	U 501	759551242000	IC CHIP MAX9704 ST D-AUD AM
L 317	759550975200	SPULE 10 UH	U 600	759551242700	IC MP1593DN-LF-Z DC-DC
L 318	759550975200	SPULE 10 UH	U 601	759551050800	IC NCP 1117 DT 33 RK
L 319	759550975200	SPULE 10 UH	U 603	759551114600	IC NCP1117DT18RK
L 321	759550975200	SPULE 10 UH	U 604	759550968600	TRANS FDS9933A
L 323	759550975200	SPULE 10 UH	U 605	759550967700	IC LM78L08ACZ
L 324	759550975200	SPULE 10 UH	U 606	759551050800	IC NCP 1117 DT 33 RK
L 400	759872527500	SPULE 10UH+-20% 5152324	Y 200	759880686100	QUARZ SMD 14.31818MHZ/30PF
Q 200	759550973400	TRANS 2N002	Y 300	759550967300	QUARZ 20.25 MHZ HC49-U
Q 201	759550973400	TRANS 2N002			
Q 202	830100484800	SMD TRANS BC848BLT1G			

ÄNDERUNGEN VORBEHALTEN / SUBJECT TO ALTERATION

LP-CHASSISMODUL L5C
CHASSISBOARD L5C

MATERIAL-NR. / PART NO.: 275990163600

POS. NR. POS. NO.	ABB. FIG.	MATERIAL-NR. PART NUMBER	ANZ. QTY.	BEZEICHNUNG DESCRIPTION (GB)
		275990163600		LP-CHASSISMODUL L5C CHASSISBOARD L5C

POS. NR. POS. NO.	MATERIAL-NR. PART NUMBER	BEZEICHNUNG DESCRIPTION	POS. NR. POS. NO.	MATERIAL-NR. PART NUMBER	BEZEICHNUNG DESCRIPTION
D 300	832538433000	SMD Z-DIODE BZX84C33	Q 202	759551098700	TRANS BC848BLT1G
D 301	759530510400	DIODE BAV 99	Q 203	759551098700	TRANS BC848BLT1G
D 400	759551241900	DIODE CHIP IMBD4148	Q 204	759551098700	TRANS BC848BLT1G
D 401	759530510400	DIODE BAV 99	Q 207	759551098700	TRANS BC848BLT1G
D 402	759530510400	DIODE BAV 99	Q 302	759551098700	TRANS BC848BLT1G
D 403	759530510400	DIODE BAV 99	Q 303	830100385800	SMD TRANS BC858B/ BC857B P
D 404	759530510400	DIODE BAV 99	Q 307	759551098700	TRANS BC848BLT1G
D 405	759530510400	DIODE BAV 99	Q 309	759551098700	TRANS BC848BLT1G
D 600	759530510400	DIODE BAV 99	Q 310	759551098700	TRANS BC848BLT1G
D 601	759530510400	DIODE BAV 99	Q 311	830100385800	SMD TRANS BC858B/ BC857B P
D 602	759530510400	DIODE BAV 99	Q 312	830100385800	SMD TRANS BC858B/ BC857B P
D 603	759530510400	DIODE BAV 99	Q 313	830100385800	SMD TRANS BC858B/ BC857B P
D 608	759551059700	DIODE SL 23	Q 600	759551098700	TRANS BC848BLT1G
F 600	△ 759550935300	SICHERUNG T5 A / 250 V	S 301	759550922900	EURO AV BUCHSE
L 200	759550451500	SPULE 10UH R0814	S 600	759550966400	STECKER 2 POL.
L 201	759872527500	SPULE 10UH+-20% 5152324	S 601	759551203700	NETZBUCHSE
L 202	759550451500	SPULE 10UH R0814	SAW 300	831900696700	OFWFL X6966M100 SIE
L 203	759872527500	SPULE 10UH+-20% 5152324	SW 201	759551057800	TASTSCHALTER
L 300	759550451500	SPULE 10UH R0814	TU 301	759551241600	TUNER SAMSUNG TECC2949PG39E
L 301	759550451500	SPULE 10UH R0814	U 200	759551141600	IC GM2221
L 302	759872527500	SPULE 10UH+-20% 5152324	U 201	759550519300	IC CHIP AT24C16AN 10SI TAPE
L 303	759872527500	SPULE 10UH+-20% 5152324	U 203	759551114100	IC M25P40
L 304	759872527500	SPULE 10UH+-20% 5152324	U 300	759540209400	IC TDA 1308T/N1
L 305	759872527500	SPULE 10UH+-20% 5152324	U 303	720086709100	SW IC VCTI L5C VCTI T8
L 306	759872527500	SPULE 10UH+-20% 5152324	U 400	759550969800	IC M24C02-MNST6T
L 307	759872527500	SPULE 10UH+-20% 5152324	U 402	720086709200	SW IC PI3V512 RGB PERICOM
L 308	759872527500	SPULE 10UH+-20% 5152324	U 501	759551242000	IC CHIP MAX9704 ST D-AUD AM
L 309	759875214900	CHIP SPULE 8.2UH	U 600	759551242700	IC MP1593DN-LF-Z DC-DC
L 310	759872527500	SPULE 10UH+-20% 5152324	U 601	759551050800	IC NCP 1117 DT 33 RK
L 311	759872527500	SPULE 10UH+-20% 5152324	U 603	759551114600	IC NCP1117DT18RK
L 312	759550451500	SPULE 10UH R0814	U 604	759550968600	TRANS FDS9933A
L 316	759872527500	SPULE 10UH+-20% 5152324	U 605	759550967700	IC LM78L08ACZ
L 317	759550975200	SPULE 10 UH	U 606	759551050800	IC NCP 1117 DT 33 RK
L 319	759550975200	SPULE 10 UH	Y 200	759880686100	QUARZ SMD 14.31818MHZ/30PF
L 323	759550975200	SPULE 10 UH	Y 300	759550967300	QUARZ 20.25 MHZ HC49-U
L 324	759550975200	SPULE 10 UH			
L 400	759872527500	SPULE 10UH+-20% 5152324			
Q 200	759550973400	TRANS 2N002			
Q 201	759550973400	TRANS 2N002			

Es gelten die Vorschriften und Sicherheitshinweise gemäß dem Service Manual "Sicherheit", Mat.-Nummer 720108000001, sowie zusätzlich die eventuell abweichenden, landesspezifischen Vorschriften!



The regulations and safety instructions shall be valid as provided by the "Safety" Service Manual, part number 720108000001, as well as the respective national deviations.

ÄNDERUNGEN VORBEHALTEN / SUBJECT TO ALTERATION

LP-CHASSISMODUL L5C
CHASSISBOARD L5C

MATERIAL-NR. / PART NO.: 275990165800

POS. NR. POS. NO.	ABB. FIG.	MATERIAL-NR. PART NUMBER	ANZ. QTY.	BEZEICHNUNG DESCRIPTION (GB)
		275990165800		LP-CHASSISMODUL L5C CHASSISBOARD L5C

POS. NR. POS. NO.	MATERIAL-NR. PART NUMBER	BEZEICHNUNG DESCRIPTION	POS. NR. POS. NO.	MATERIAL-NR. PART NUMBER	BEZEICHNUNG DESCRIPTION
D 300	832538433000	SMD Z-DIODE BZX84C33	Q 207	830100484800	SMD TRANS BC848B/ BC847B P
D 301	759530510400	DIODE BAV 99	Q 302	830100484800	SMD TRANS BC848B/ BC847B P
D 400	759551241900	DIODE CHIP IMBD4148	Q 303	830100385800	SMD TRANS BC858B/ BC857B P
D 401	759530510400	DIODE BAV 99	Q 307	830100484800	SMD TRANS BC848B/ BC847B P
D 402	759530510400	DIODE BAV 99	Q 309	830100484800	SMD TRANS BC848B/ BC847B P
D 403	759530510400	DIODE BAV 99	Q 310	830100484800	SMD TRANS BC848B/ BC847B P
D 404	759530510400	DIODE BAV 99	Q 311	830100385800	SMD TRANS BC858B/ BC857B P
D 405	759530510400	DIODE BAV 99	Q 312	830100385800	SMD TRANS BC858B/ BC857B P
D 600	759530510400	DIODE BAV 99	Q 313	830100385800	SMD TRANS BC858B/ BC857B P
D 601	759530510400	DIODE BAV 99	Q 600	830100484800	SMD TRANS BC848B/ BC847B P
D 602	759530510400	DIODE BAV 99	S 301	759550922900	EURO AV BUCHSE
D 603	759530510400	DIODE BAV 99	SAW 300	831900696700	OFWFL X6966M100 SIE
D 608	759551059700	DIODE SL 23	SW 201	759551057800	TASTSCHALTER
F 600	△ 759550935300	SICHERUNG T5 A / 250V	TU 351	759551246900	TUNER CTF5547
L 200	759550451500	SPULE 10UH R0814	U 200	759551141600	IC GM2221
L 201	759872527500	SPULE 10UH+-20% 5152324	U 201	759550519300	IC CHIP AT24C16AN 10SI TAPE
L 202	759550451500	SPULE 10UH R0814	U 203	759551114100	IC M25P40
L 203	759872527500	SPULE 10UH+-20% 5152324	U 300	759540209400	IC TDA 1308T/N1
L 300	759550451500	SPULE 10UH R0814	U 303	720086710700	SW/IC LC VCTI L5C VCTI_T81
L 301	759550451500	SPULE 10UH R0814	U 400	759550969800	IC M24C02-MNST6T
L 302	759872527500	SPULE 10UH+-20% 5152324	U 402	759551246700	IC CHIP PI3V512QWX (QSOP24)
L 303	759872527500	SPULE 10UH+-20% 5152324	U 501	759551242000	IC CHIP MAX9704 ST D-AUD AM
L 304	759872527500	SPULE 10UH+-20% 5152324	U 600	759551242700	IC MP1593DN-LF-Z DC-DC
L 305	759872527500	SPULE 10UH+-20% 5152324	U 601	759551050800	IC NCP 1117 DT 33 RK
L 306	759872527500	SPULE 10UH+-20% 5152324	U 603	759551114600	IC NCP1117DT18RK
L 307	759872527500	SPULE 10UH+-20% 5152324	U 604	759550968600	TRANS FDS9933A
L 308	759872527500	SPULE 10UH+-20% 5152324	U 605	759550967700	IC LM78L08ACZ
L 309	759875214900	CHIP SPULE 8.2UH	U 606	759551050800	IC NCP 1117 DT 33 RK
L 310	759872527500	SPULE 10UH+-20% 5152324	Y 200	759880686100	QUARZ SMD 14.31818MHZ/30PF
L 311	759872527500	SPULE 10UH+-20% 5152324	Y 300	759550967300	QUARZ 20.25 MHZ HC49-U
L 316	759872527500	SPULE 10UH+-20% 5152324			
L 317	759550975200	SPULE 10 UH			
L 319	759550975200	SPULE 10 UH			
L 323	759550975200	SPULE 10 UH			
L 324	759550975200	SPULE 10 UH			
L 400	759872527500	SPULE 10UH+-20% 5152324			
Q 200	759550973400	TRANS 2N002			
Q 201	759550973400	TRANS 2N002			

Es gelten die Vorschriften und Sicherheitshinweise gemäß dem Service Manual "Sicherheit", Mat.-Nummer 720108000001, sowie zusätzlich die eventuell abweichenden, landesspezifischen Vorschriften!



The regulations and safety instructions shall be valid as provided by the "Safety" Service Manual, part number 720108000001, as well as the respective national deviations.

ÄNDERUNGEN VORBEHALTEN / SUBJECT TO ALTERATION

LP-CHASSISMODUL L5C
CHASSISBOARD L5C

MATERIAL-NR. / PART NO.: 275990165900

POS. NR. POS. NO.	ABB. FIG.	MATERIAL-NR. PART NUMBER	ANZ. QTY.	BEZEICHNUNG DESCRIPTION (GB)
----------------------	--------------	-----------------------------	--------------	------------------------------------

275990165900 LP-CHASSISMODUL L5C CHASSISBOARD L5C

POS. NR. POS. NO.	MATERIAL-NR. PART NUMBER	BEZEICHNUNG DESCRIPTION	POS. NR. POS. NO.	MATERIAL-NR. PART NUMBER	BEZEICHNUNG DESCRIPTION
D 301	759530510400	DIODE BAV 99	Q 204	830100484800	SMD TRANS BC848B/ BC847B P
D 400	759551241900	DIODE CHIP IMBD4148	Q 207	830100484800	SMD TRANS BC848B/ BC847B P
D 401	759530510400	DIODE BAV 99	Q 302	830100484800	SMD TRANS BC848B/ BC847B P
D 402	759530510400	DIODE BAV 99	Q 303	830100385800	SMD TRANS BC858B/ BC857B P
D 403	759530510400	DIODE BAV 99	Q 307	830100484800	SMD TRANS BC848B/ BC847B P
D 404	759530510400	DIODE BAV 99	Q 309	830100484800	SMD TRANS BC848B/ BC847B P
D 405	759530510400	DIODE BAV 99	Q 310	830100484800	SMD TRANS BC848B/ BC847B P
D 600	759530510400	DIODE BAV 99	Q 311	830100385800	SMD TRANS BC858B/ BC857B P
D 601	759530510400	DIODE BAV 99	Q 312	830100385800	SMD TRANS BC858B/ BC857B P
D 602	759530510400	DIODE BAV 99	Q 313	830100385800	SMD TRANS BC858B/ BC857B P
D 603	759530510400	DIODE BAV 99	Q 600	830100484800	SMD TRANS BC848B/ BC847B P
D 608	759551059700	DIODE SL 23	S 301	759550922900	EURO AV BUCHSE
F 600	759550935300	SICHERUNG T5 A / 250 V	S 601	759551242600	NETZBUCHSE DC KLD-0202-B
L 200	759550451500	SPULE 10UH R0814	SAW 300	831900696700	OFWFL X6966M100 SIE
L 201	759872527500	SPULE 10UH+-20% 5152324	SW 201	759551057800	TASTSCHALTER
L 202	759550451500	SPULE 10UH R0814	TU 351	759551246900	TUNER CTF5547
L 203	759872527500	SPULE 10UH+-20% 5152324	U 200	759551141600	IC GM2221
L 300	759550451500	SPULE 10UH R0814	U 201	759551114200	IC AT24C16AN10 SU2.7 TAPE&R
L 301	759550451500	SPULE 10UH R0814	U 203	759551114100	IC M25P40
L 302	759872527500	SPULE 10UH+-20% 5152324	U 300	759540209400	IC TDA 1308T/N1
L 303	759872527500	SPULE 10UH+-20% 5152324	U 303	720086715900	SW/IC LC VCTI L5C_VCTI_T81
L 304	759872527500	SPULE 10UH+-20% 5152324	U 400	759550969800	IC M24C02-MNST6T
L 305	759872527500	SPULE 10UH+-20% 5152324	U 402	759551246700	IC CHIP PI33V512QWX (QSOP24)
L 306	759872527500	SPULE 10UH+-20% 5152324	U 501	759551242000	IC CHIP MAX9704 ST D-AUD AM
L 307	759872527500	SPULE 10UH+-20% 5152324	U 600	759551242700	IC MP1593DN-LF-Z DC-DC
L 308	759872527500	SPULE 10UH+-20% 5152324	U 601	759551050800	IC NCP 1117 DT 33 RK
L 309	759872527500	SPULE 10UH+-20% 5152324	U 603	759551114600	IC NCP1117DT18RK
L 310	759872527500	SPULE 10UH+-20% 5152324	U 604	759550968600	TRANS FDS9933A
L 311	759872527500	SPULE 10UH+-20% 5152324	U 605	759550967700	IC LM78L08ACZ
L 316	759872527500	SPULE 10UH+-20% 5152324	U 606	759551050800	IC NCP 1117 DT 33 RK
L 317	759550975200	SPULE 10 UH	Y 200	759880686100	QUARZ SMD 14.31818MHZ/30PF
L 319	759550975200	SPULE 10 UH	Y 300	759550967300	QUARZ SMD 20.25 MHZ HC49-U
L 323	759550975200	SPULE 10 UH			
L 324	759550975200	SPULE 10 UH			
L 400	759872527500	SPULE 10UH+-20% 5152324			
Q 200	759550973400	TRANS 2N002			
Q 201	759550973400	TRANS 2N002			
Q 202	830100484800	SMD TRANS BC848B/ BC847B P			
Q 203	830100484800	SMD TRANS BC848B/ BC847B P			

Es gelten die Vorschriften und Sicherheitshinweise gemäß dem Service Manual "Sicherheit", Mat.-Nummer 720108000001, sowie zusätzlich die eventuell abweichenden, landesspezifischen Vorschriften!



The regulations and safety instructions shall be valid as provided by the "Safety" Service Manual, part number 720108000001, as well as the respective national deviations.

ÄNDERUNGEN VORBEHALTEN / SUBJECT TO ALTERATION

LP-CHASSISMODUL L5C
CHASSISBOARD L5C

MATERIAL-NR. / PART NO.: 275990166000

POS. NR. POS. NO.	ABB. FIG.	MATERIAL-NR. PART NUMBER	ANZ. QTY.	BEZEICHNUNG DESCRIPTION (GB)
----------------------	--------------	-----------------------------	--------------	------------------------------------

275990166000 LP-CHASSISMODUL L5C CHASSISBOARD L5C

POS. NR. POS. NO.	MATERIAL-NR. PART NUMBER	BEZEICHNUNG DESCRIPTION	POS. NR. POS. NO.	MATERIAL-NR. PART NUMBER	BEZEICHNUNG DESCRIPTION
D 300	832538433000	SMD Z-DIODE BZX84C33	Q 252	830100385800	SMD TRANS BC858B/ BC857B P
D 301	759530510400	DIODE BAV 99	Q 301	759551098700	TRANS BC848BLT1G
D 400	759551241900	DIODE CHIP IMBD4148	Q 302	759551098700	TRANS BC848BLT1G
D 401	759530510400	DIODE BAV 99	Q 303	830100385800	SMD TRANS BC858B/ BC857B P
D 402	759530510400	DIODE BAV 99	Q 304	830100385800	SMD TRANS BC858B/ BC857B P
D 403	759530510400	DIODE BAV 99	Q 305	830100385800	SMD TRANS BC858B/ BC857B P
D 404	759530510400	DIODE BAV 99	Q 306	830100385800	SMD TRANS BC858B/ BC857B P
D 405	759530510400	DIODE BAV 99	Q 307	759551098700	TRANS BC848BLT1G
D 600	759530510400	DIODE BAV 99	Q 308	759551098700	TRANS BC848BLT1G
D 601	759530510400	DIODE BAV 99	Q 309	759551098700	TRANS BC848BLT1G
D 602	759530510400	DIODE BAV 99	Q 310	759551098700	TRANS BC848BLT1G
D 603	759530510400	DIODE BAV 99	Q 311	830100385800	SMD TRANS BC858B/ BC857B P
D 604	759551059700	DIODE SL 23	Q 312	830100385800	SMD TRANS BC858B/ BC857B P
D 608	759551059700	DIODE SL 23	Q 313	830100385800	SMD TRANS BC858B/ BC857B P
F 601	759550935300	SICHERUNG T5 A / 250 V	Q 600	759551098700	TRANS BC848BLT1G
L 200	759550451500	SPULE 10UH R0814	S 301	759550922900	EURO AV BUCHSE
L 201	759872527500	SPULE 10UH+-20% 5152324	S 303	759550922900	EURO AV BUCHSE
L 202	759550451500	SPULE 10UH R0814	S 602	759551246800	NETZBUCHSE 4 P.
L 203	759872527500	SPULE 10UH+-20% 5152324	SAW 300	831900696700	OFWFL X6966M100 SIE
L 300	759550451500	SPULE 10UH R0814	SW 201	759551057800	TASTSCHALTER
L 301	759550451500	SPULE 10UH R0814	TU 351	759551246900	TUNER CTF5547
L 302	759872527500	SPULE 10UH+-20% 5152324	U 200	759551141600	IC GM2221
L 303	759872527500	SPULE 10UH+-20% 5152324	U 201	759551114200	IC AT24C16AN10 SU2.7 TAPE&R
L 304	759872527500	SPULE 10UH+-20% 5152324	U 203	759551114100	IC M25P40
L 305	759872527500	SPULE 10UH+-20% 5152324	U 300	759540209400	IC TDA 1308T/N1
L 306	759872527500	SPULE 10UH+-20% 5152324	U 302	759550951600	IC MC14053BD
L 307	759872527500	SPULE 10UH+-20% 5152324	U 303	720086715900	SW/IC LC VCTI L5C_VCTI_T81
L 308	759872527500	SPULE 10UH+-20% 5152324	U 400	759550969800	IC M24C02-MNST6T
L 309	759872527500	SPULE 10UH+-20% 5152324	U 402	759551246700	IC CHIP PI33V512QWX (QSOP24)
L 310	759872527500	SPULE 10UH+-20% 5152324	U 501	759551242000	IC CHIP MAX9704 ST D-AUD AM
L 311	759872527500	SPULE 10UH+-20% 5152324	U 600	759551242700	IC MP1593DN-LF-Z DC-DC
L 316	759872527500	SPULE 10UH+-20% 5152324	U 601	759551050800	IC NCP 1117 DT 33 RK
L 317	759550975200	SPULE 10 UH	U 603	759551114600	IC NCP1117DT18RK
L 318	759550975200	SPULE 10 UH	U 604	759550968600	TRANS FDS9933A
L 319	759550975200	SPULE 10 UH	U 605	759550967700	IC LM78L08ACZ
L 321	759550975200	SPULE 10 UH	U 606	759551050800	IC NCP 1117 DT 33 RK
L 323	759550975200	SPULE 10 UH	Y 200	759880686100	QUARZ SMD 14.31818MHZ/30PF
L 324	759550975200	SPULE 10 UH	Y 300	759550967300	QUARZ SMD 20.25 MHZ HC49-U
L 400	759872527500	SPULE 10UH+-20% 5152324			
Q 200	759550973400	TRANS 2N002			
Q 201	759550973400	TRANS 2N002			
Q 202	830100385800	TRANS BC848BLT1G			
Q 250	759551098700	TRANS BC848BLT1G			

ÄNDERUNGEN VORBEHALTEN / SUBJECT TO ALTERATION