

JVC

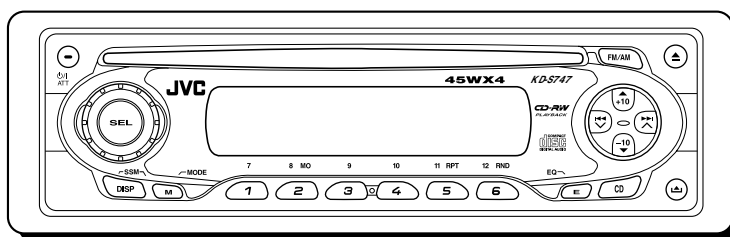
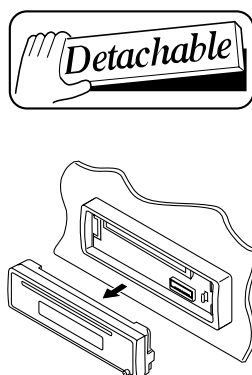
SCHEMATIC DIAGRAMS

CD RECEIVER

KD-S747

CD-ROM No.SML200303

Area suffix
EE -----Russian Federation



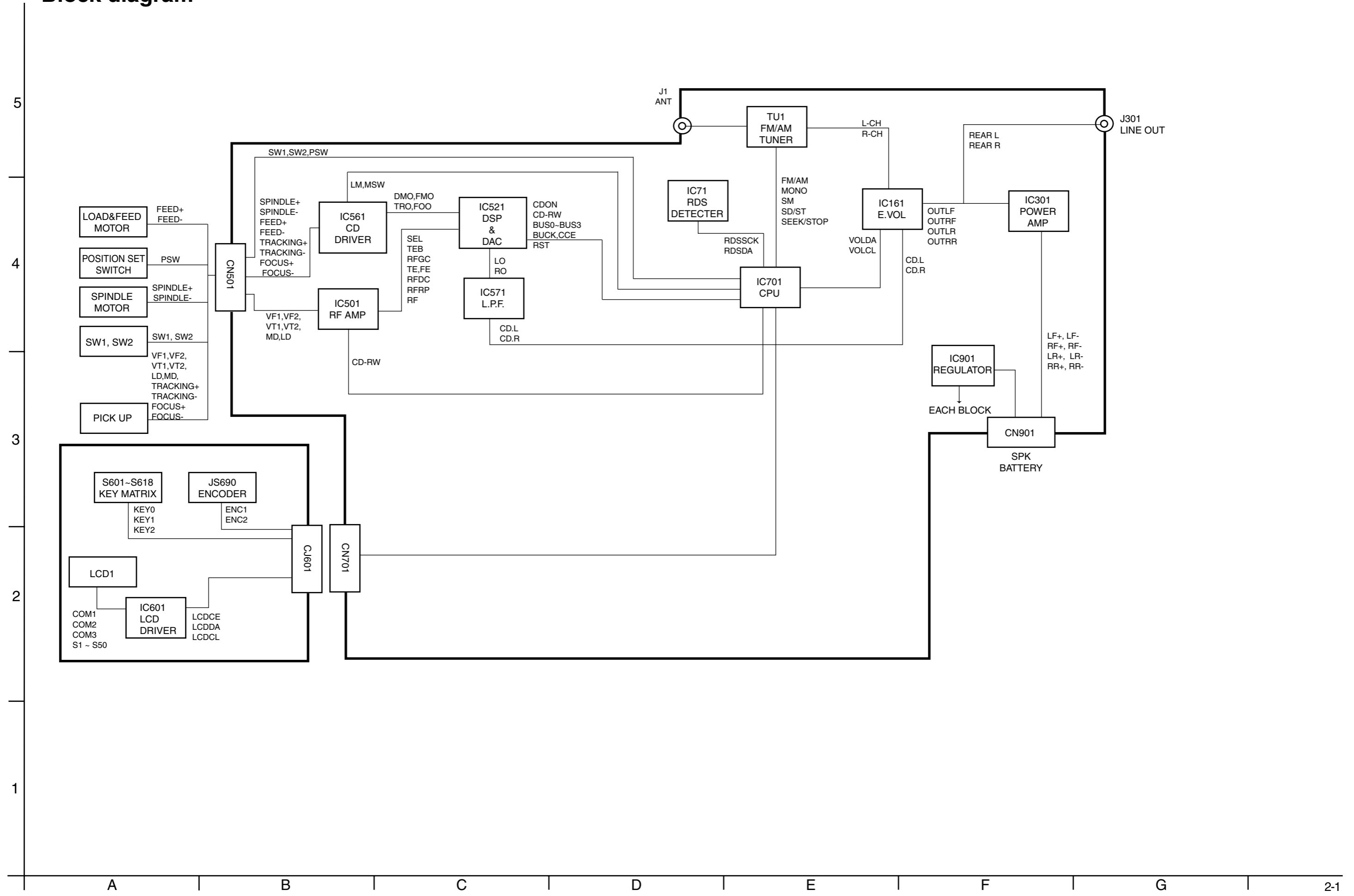
COMPACT
disc
DIGITAL AUDIO

CD-RW
PLAYBACK

Contents

Block diagram	2-1
Standard schematic diagrams	2-2
Printed circuit boards	2-5~7

Block diagram



Standard schematic diagrams

Main amplifier section

- NOTES
1. VOLTAGES ARE DC-MEASURED WITH A DIGITAL VOLT METER WITHOUT INPUT SIGNAL CONDITION—FM MODE. □ AM MODE. | CD MODE.
 2. UNLESS OTHERWISE SPECIFIED:
ALL RESISTORS ARE 1/4W 5% METAL GLAZE RESISTOR.
ALL CAPACITORS ARE 50V OR 25V CERAMIC CAPACITOR.
ALL RESISTANCE VALUES ARE IN OHM.
ALL CAPACITANCE VALUES ARE IN μ F(PF).
ALL C CAPACITORS ARE SHOWN IN THE FORM OF CAPACITANCE(μ F)/RATED VOLTAGE(V).
ALL INDUCTOR VALUES ARE IN μ H.
 3. COMPONENTS IN () INDICATE NOT USE.

	10K	UN2211-X
	10K	UN2111-X

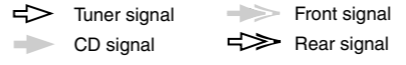
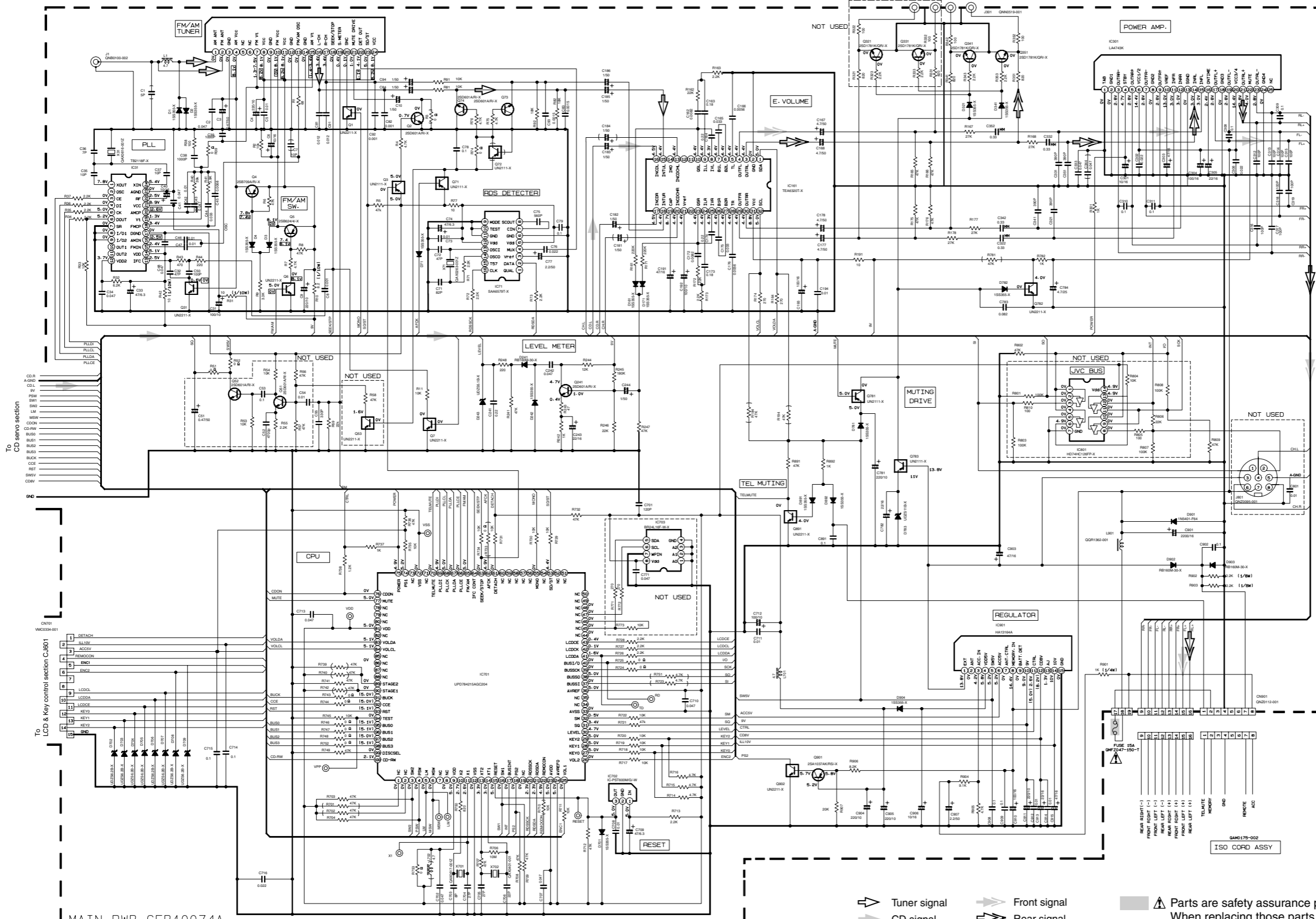
5

4

3

2

1



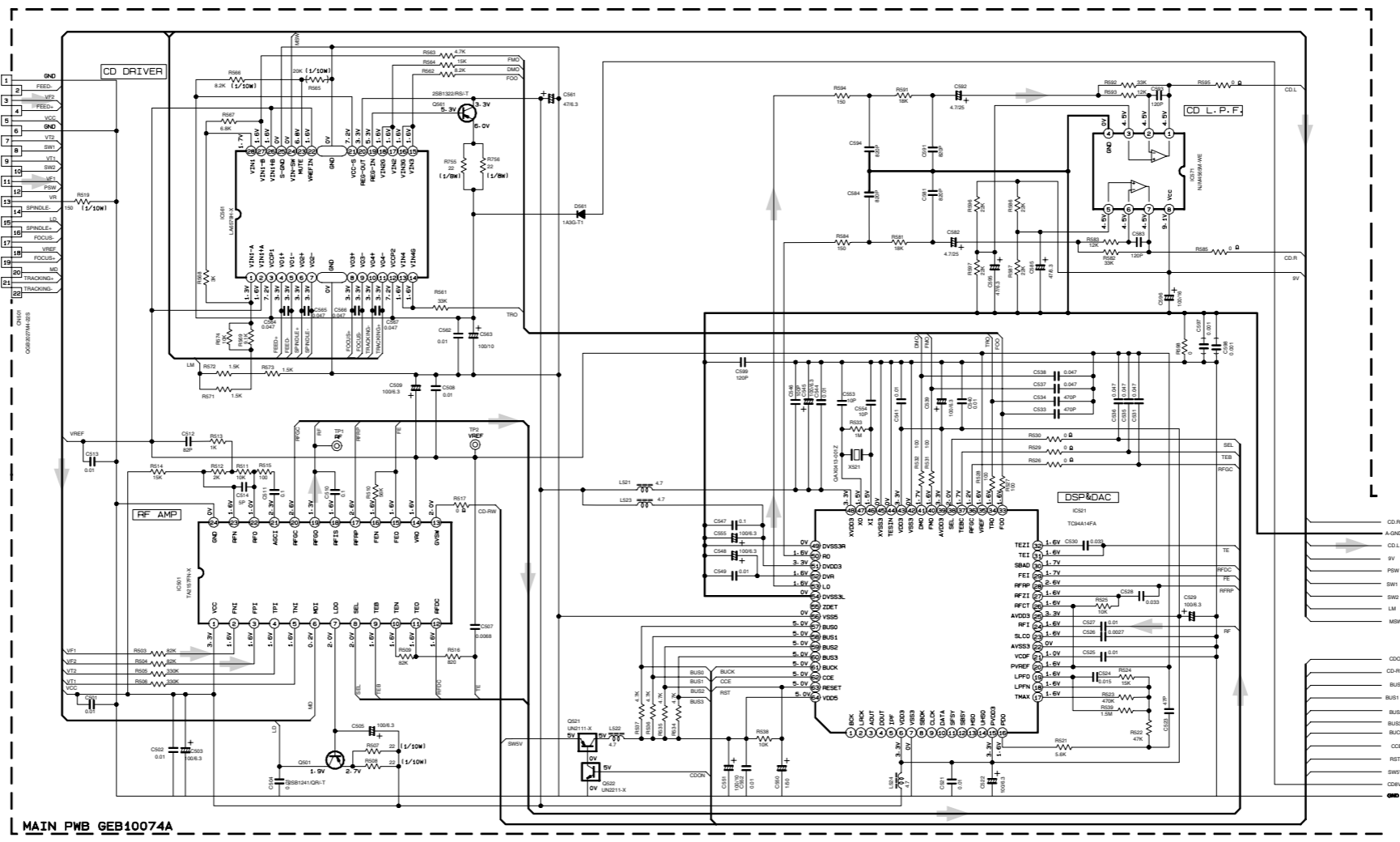
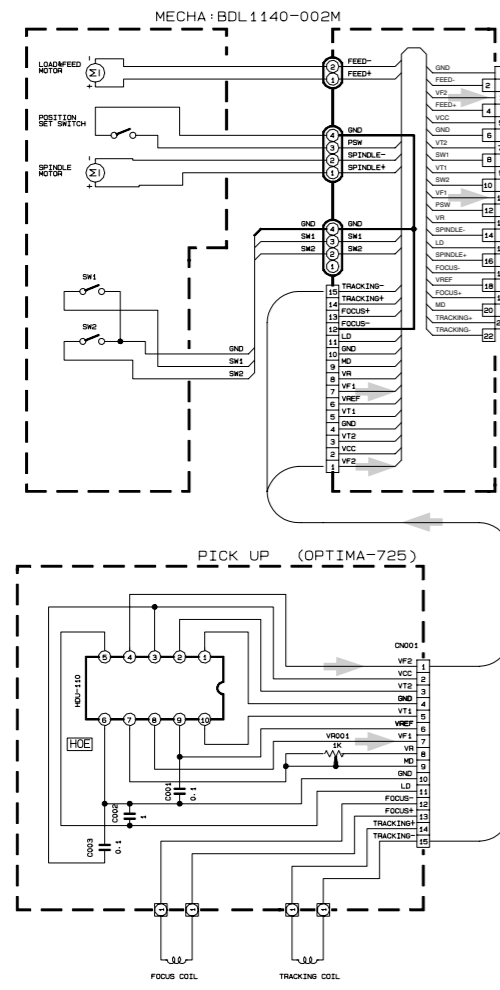
Parts are safety assurance parts. When replacing those parts make sure to use the specified one.

MAIN PWB GEB10074A

A B C 2-2 D E F G H

CD servo control section

5
4
3
2
1



	10K	UN2111-X
	10K	UN2111-X

➔ CD signal

- NOTES
1. VOLTAGES ARE DC-MEASURED WITH A DIGITAL VOLT METER WITHOUT INPUT SIGNAL CONDITION — CD MODE.
 2. UNLESS OTHERWISE SPECIFIED, ALL RESISTORS ARE 1/10W ±5% METAL GLAZE RESISTOR. ALL CAPACITORS ARE 50V OR 25V CERAMIC CAPACITOR. ALL RESISTANCE VALUES ARE IN OHM. ALL CAPACITANCE VALUES ARE IN UF (p=PF) ALL INDUCTOR VALUES ARE IN UH. ALL E-CAPACITORS ARE SHOWN IN THE FORM OF CAPACITANCE(UF)/RATED VOLTAGE(V)

To Main amplifier section

LCD & Key control section

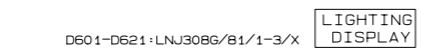
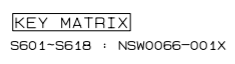
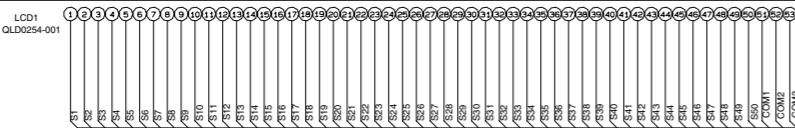
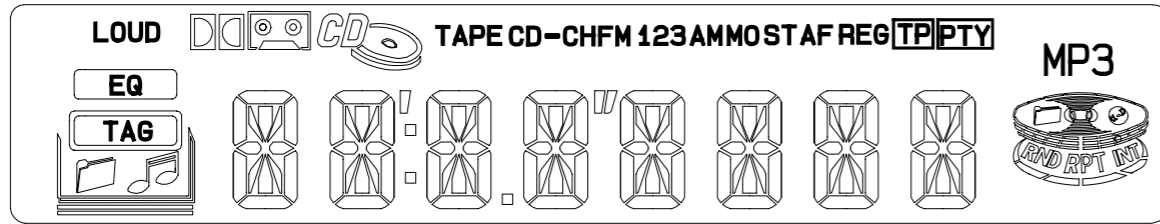
5

4

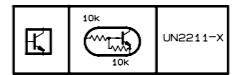
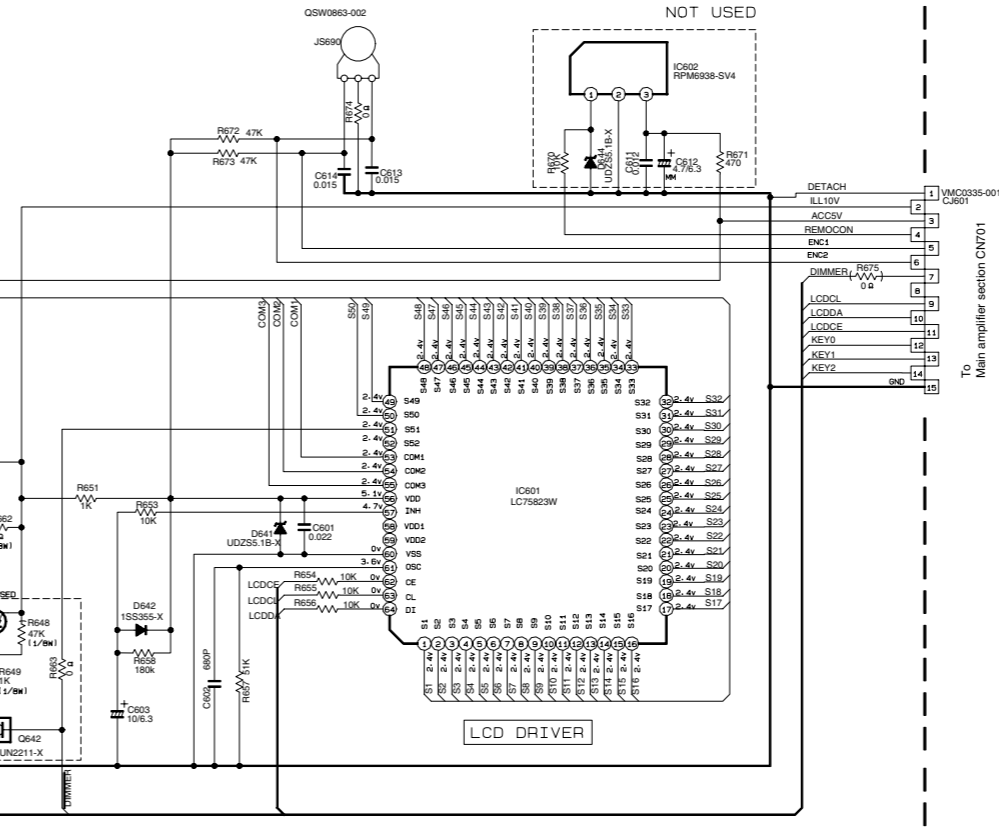
3

2

1



SW PWB GEB10068A



- NOTES
1. VOLTAGES ARE DC-MEASURED WITH A DIGITAL VOLT METER WITHOUT INPUT SIGNAL.
 2. UNLESS OTHERWISE SPECIFIED:
 ALL RESISTOR ARE 1/16W 45% METAL GLAZE RESISTOR.
 ALL CAPACITORS ARE 50V OR 25V CERAMIC CAPACITOR.
 ALL RESISTANCE VALUES ARE IN OHM.
 ALL CAPACITANCE VALUES ARE IN uF (P=PF)
 ALL E. CAPACITORS ARE SHOWN IN THE FORM OF CAPACITANCE(uF)/RATED VOLTAGE
 MM --- TANTAL CAPACITOR.