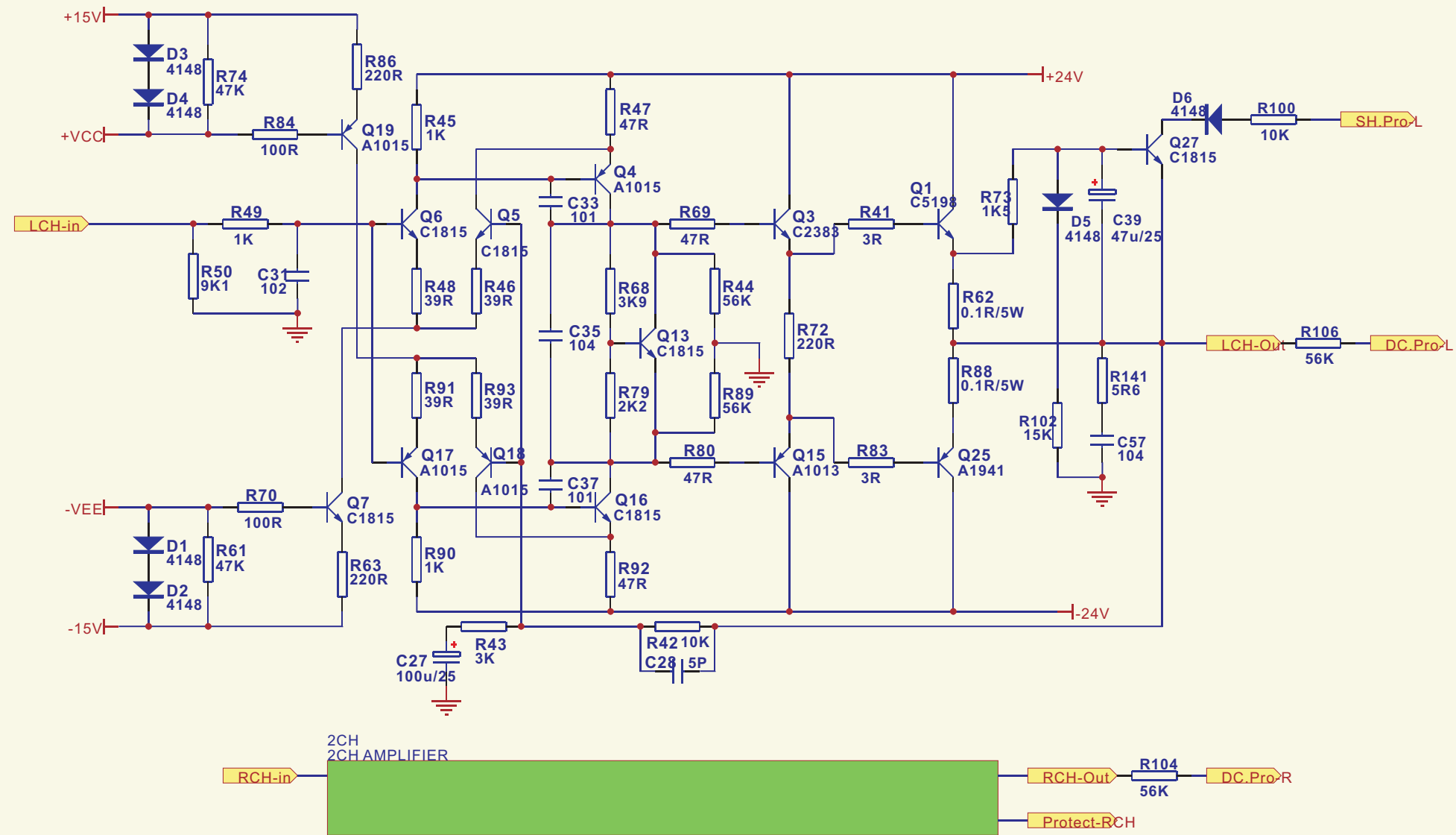
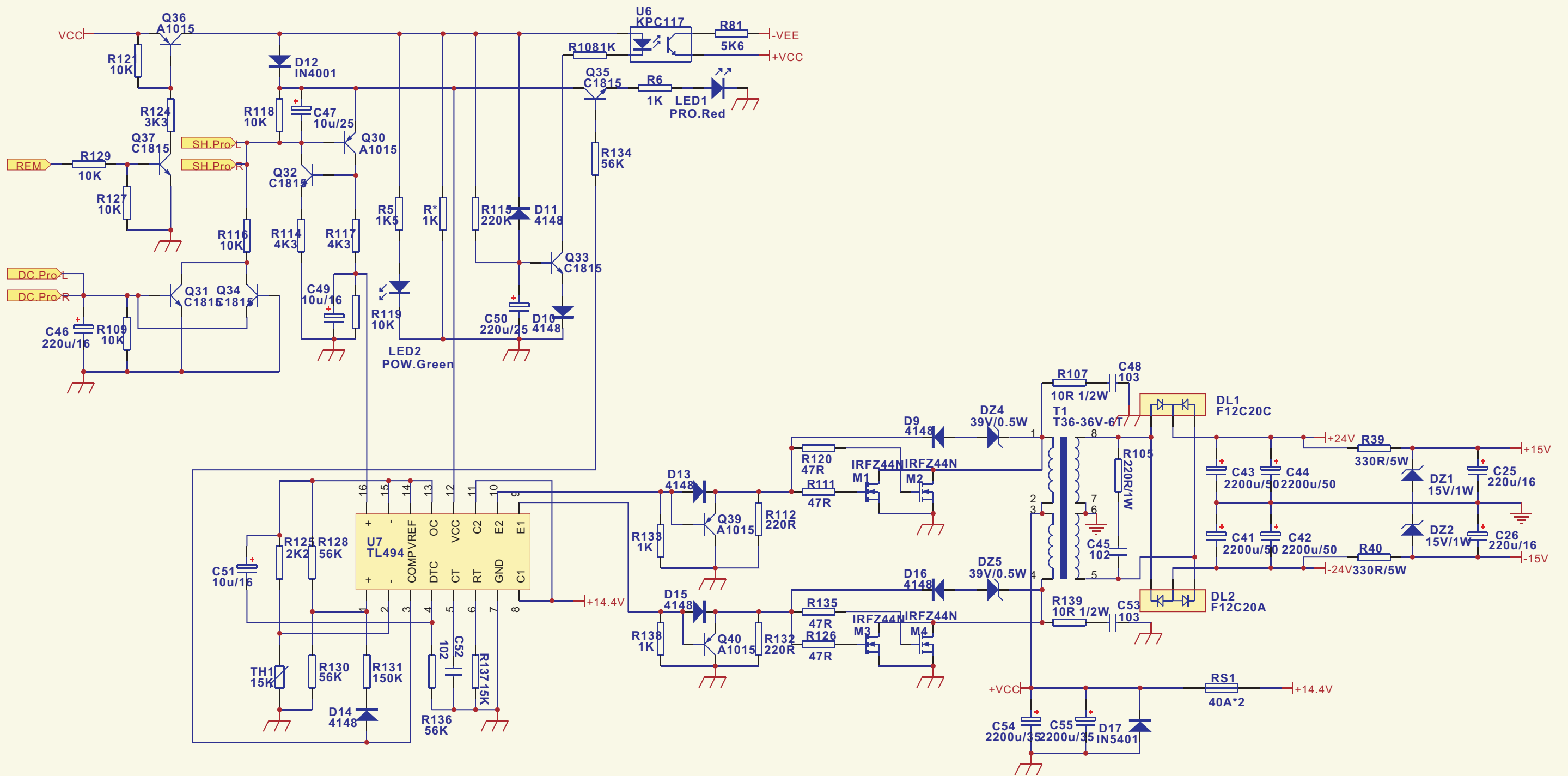


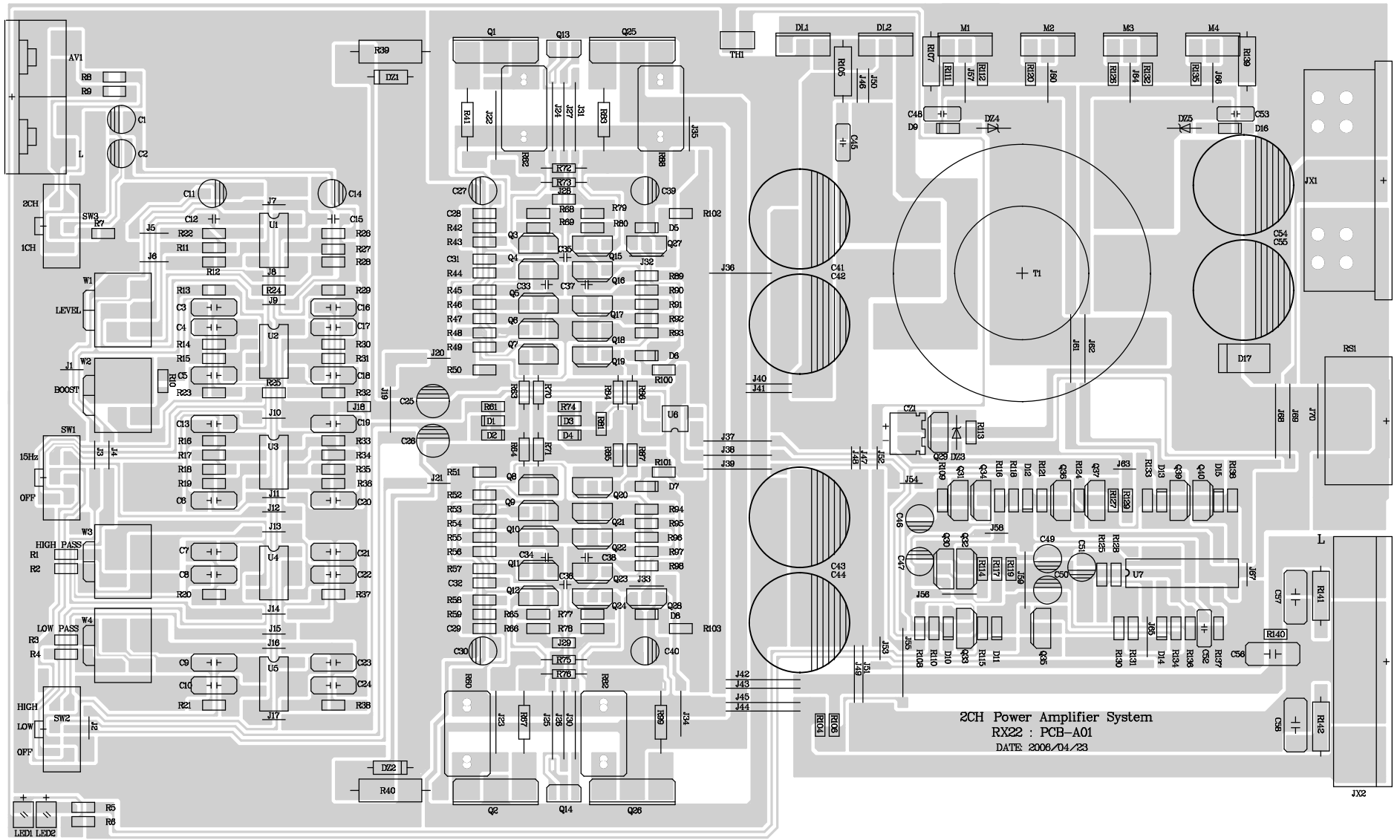
Title			RX22.PRE-SYSTEM.SCH		
Size	Number	Revision		A01	
A3					
Date:	6-Apr-2007	Sheet			
File:	F:\DE\RX\RX44.Ddb	Drawn			



Title			RX22.AMPLIFIER.SCH		
Size	Number	Revision		A01	
A3					
Date:	6-Apr-2007	Sheet			
File:	F:\DE\RX\RX44.Ddb	Drawn			



Title		
RX22.POW-SYSTEM.SCH		
Size	Number	Revision
A3		A01
Date:	6-Apr-2007	Sheet
File:	F:\DE\RX\RX44.Ddb	By:awn



2CH Power Amplifier System
 RX22 : PCB-A01
 DATE : 2006/04/23

2X1

LED1 LED2

Spare part list

Product Name: Car Amplifier

Model No: RX22

Brand Name : Magnat

Rev. : A01

Serial number	Types	Description of components	Comment	Quantity	Unit	Components
001	PCB	PCB	RX22:PCB-A01		PCS	
002	Safety components	Coils	φ36	1	PCS	T1
		Fuse	20A	2	PCS	
		Fuse Holder	Two way	1	PCS	
003	Inserting components	RCA socket	AV4-7	1	PCS	AV1
		Terminals	three way	1	PCS	
			four way	1	PCS	
		Direct-Pulling Switch	SK23D25G10	1	PCS	
SK22H13G10	2		PCS			
004	IC	IC	F4558	5	PCS	U1, U2, U3, U4, U5
			PC817	1	PCS	U6
			TL494	1	PCS	U7
005	Transistor	MOSFET	IRFZ44N	4	PCS	M1, M2, M3, M4
		Triodes	A1015	11	PCS	Q4, Q11, Q17, Q18, Q19, Q20, Q21, Q22, Q30, Q39, Q40
			C1815	17	PCS	Q13, Q14Q5, Q6, Q7, Q8, Q9, Q10, Q16,Q23, Q27, Q28, Q32, Q33, Q35,Q37, Q38
			A1013	3	PCS	Q15, Q24, Q36
			C2383	2	PCS	Q3, Q12
			9014	2	PCS	Q31, Q34
			A1941	2	PCS	Q25, Q26
			C5198	2	PCS	Q1, Q2
		Schottky Barrier Rectifier	F12C20A	1	PCS	DL2
			F12C20C	1	PCS	DL1
		Rectifier Diodes	IN4001	1	PCS	D12
			IN5402	1	PCS	D17
		Switch Diodes	IN4148	15	PCS	D1, D2, D3, D4, D5, D6, D7, D8,D9, D10, D11, D13, D14, D15,D16
		LED	φ3	2	PCS	led1,led2
		Voltage Stabilizing Diodes	15V/1W	2	PCS	DZ1, DZ2
39V/0.5W	2		PCS	DZ4, DZ5		

Spare part list

Product Name: Car Amplifier
Brand Name: Magnat

Model No: RX22
Rev.: A01

Serial number	Types	Description of components	Comment	Quantity	Unit	Components
006	Resistors	Thermal Resistors	RTH-15K	1	PCS	with metal "Y"
		Resistors	RTX-5W-0.1Ω	4	PCS	R60, R62, R82, R88
			RTX-3W-330Ω	2	PCS	R39, R40
			RTX-1W-220Ω	1	PCS	R105
			RTX-1/2W-5.6Ω	2	PCS	R141, R142
			RTX-1/2W-10Ω	2	PCS	R107, R139
			RTX-1/2W-3Ω	4	PCS	R41, R67, R83, R99
			RTX-1/8W-0Ω	3	PCS	J18, J28, J29
			RTX-1/8W-39Ω	8	PCS	R46, R48, R53, R55, R91, R93, R94, R96
			RTX-1/8W-47Ω	13	PCS	R47, R54, R65, R69, R77, R80, R92, R95, R111, R120, R123,R126, R135
			RTX-1/8W-100Ω	4	PCS	R70, R71, R84,R85
			RTX-1/8W-220Ω	8	PCS	R72, R76 ,R63, R64, R86, R87, R112, R132
				15	PCS	R6, R8, R9, R45, R49, R52, R56, R90, R97, R108, R110, R122,R133, R138, R140
			RTX-1/8W-1KΩ	15	PCS	R6, R8, R9, R45, R49, R52, R56, R90, R97, R108, R110, R122,R133, R138, R140
			RTX-1/8W-1.2KΩ	2	PCS	R11, R24
			RTX-1/8W-1.5KΩ	3	PCS	R5R73, R75
			RTX-1/8W-2.7KΩ	2	PCS	R78, R79
			RTX-1/8W-3KΩ	3	PCS	R43, R58, R125
			RTX-1/8W-3.3KΩ	1	PCS	R124
			RTX-1/8W-3.9KΩ	2	PCS	R66, R68
			RTX-1/8W-4.3KΩ	2	PCS	R114, R117
			RTX-1/8W-4.7KΩ	1	PCS	R22
			RTX-1/8W-5.1KΩ	1	PCS	R28
			RTX-1/8W-5.6KΩ	3	PCS	R3, R4, R81
			RTX-1/8W-8.2KΩ	2	PCS	R1, R2
			RTX-1/8W-9.1KΩ	2	PCS	R50, R51
			RTX-1/8W-10KΩ	13	PCS	R18, R35, R42, R59, R100, R101,R109, R116, R118, R119, R121,R127, R129
			RTX-1/8W-15KΩ	3	PCS	R102, R103, R137
			RTX-1/8W-27KΩ	8	PCS	R10, R17, R20, R21, R25, R34,R37, R38
			RTX-1/8W-47KΩ	9	PCS	R12, R13, R16, R26, R27, R29,R33, R61, R74
			RTX-1/8W-56KΩ	12	PCS	R23, R32, R44, R57, R89, R98, R104, R106, R128, R130, R134,R136
			RTX-1/8W-82KΩ	2	PCS	R19, R36
			RTX-1/8W-100KΩ	5	PCS	R7, R14, R15, R30, R31
			RTX-1/8W150KΩ	1	PCS	R131
		RTX-1/8W-220KΩ	1	PCS	R115	
		Trimmers	WH130-15-axis-A10KΩx2	1	PCS	
			WH130-15-axis-C50KΩx2	1	PCS	
			WH130-15-axis-C200KΩx2	1	PCS	
			WH130-15-axis-C500KQx2	1	PCS	

Spare part list

Product Name: Car Amplifier
Brand Name: Magnat

Model No: RX22
Rev.: A01

Serial number	Types	Description of components	Comment	Quantity	Unit	Components
007	capacitors	Electrolytic capacitors	4u7/16v	2	PCS	C1, C2
			10U/16V	3	PCS	C51 C47, C49
			22u/25v	4	PCS	C11, C14, C39, C40
			100u/16v	2	PCS	C27, C30
			220U/16V	4	PCS	C46, C50C25, C26
			2200u/35v	6	PCS	C41, C42, C43, C44, C54, C55
		Ceramic Electric Capacitors	47P	1	PCS	C15
			82p	1	PCS	C12
			101	4	PCS	C33, C34, C37, C38
		Squareness Capacitors	104	2	PCS	C8, C22
			124	2	PCS	C6, C20
			154	2	PCS	C7, C21
			183	4	PCS	C9, C10, C23, C24
			223	4	PCS	C4, C5, C17, C18
			334	2	PCS	C13, C19
			473	2	PCS	C3, C16
		Polyester Capacitors	102	1	PCS	C45
			103	2	PCS	C35, C36,C48, C53
			104	3	PCS	C56, C57, C58
		CBB Capacitors	102	1	PCS	C52
colour capactiors	5P	2	PCS	C28, C29		
	102	2	PCS	C31, C32		
008	Connecting line	J line(Φ0.65mm)	6mm	23	PCS	
			7mm	4	PCS	
			8mm	6	PCS	
			9mm	5	PCS	
			10mm	4	PCS	
			12mm	3	PCS	
			13mm	2	PCS	
			14mm	13	PCS	
			15mm	6	PCS	

Spare part list

Product Name: Car Amplifier
Brand Name : Magnat

Model No: RX22
Rev.: A01

Serial number	Types	Description of components	Specifications & Model No.	Quantity	Unit	components / Remark
009	hardware	Aluminum Shell		1	PCS	
		Front Panel		1	PCS	
		Rear Panel		1	PCS	
		Bottom Panel		1	PCS	
		Amplifier Keep Plate	25×11×2	3	PCS	
			32×17×2	2	PCS	
		Screw	TCT3×5	6	PCS	
			TCA3×8	8	PCS	
			TCA3×10	5	PCS	
			BT3×12	5	PCS	
			BT3×4	5	PCS	
Meson	Φ3	6	PCS			
Flexibility Meson	Φ3	6	PCS			
010	Plastics	Polybag	70×50mm	1	PCS	
			370×320mm	1	PCS	
		mica plates	middle	4	PCS	
			small	6	PCS	
		Coils pad	Φ36	1	PCS	
		Knob		4	PCS	
Switch Catton Pad		3	PCS			
011	Package	Poly-form	Mp2000	1	PCS	
		Fuse	20A	2	PCS	
		Screw	BA4X10	2	PCS	
		Meson	Φ5	4	PCS	
		Flexibility Meson	Φ5	4	PCS	
		User's Manual	RX22	1	PCS	
		Gift Box	RX22	1	PCS	
012	Accessories	RCA Jacks Covering		4	PCS	
		Groundwire Solder Plate	φ5	1	PCS	
		Tube		/	PCS	
		Glue				
		Tin				
				few		