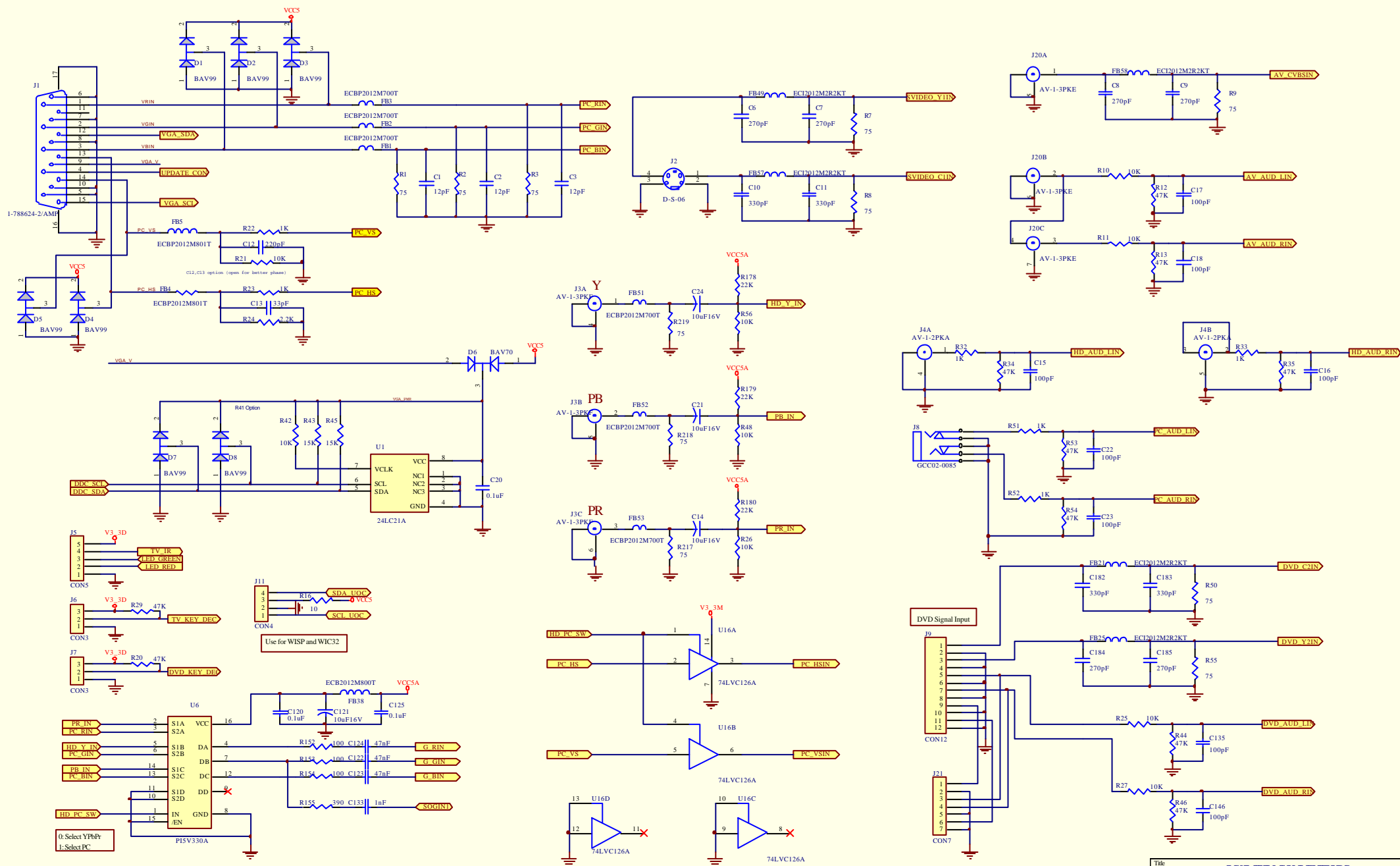
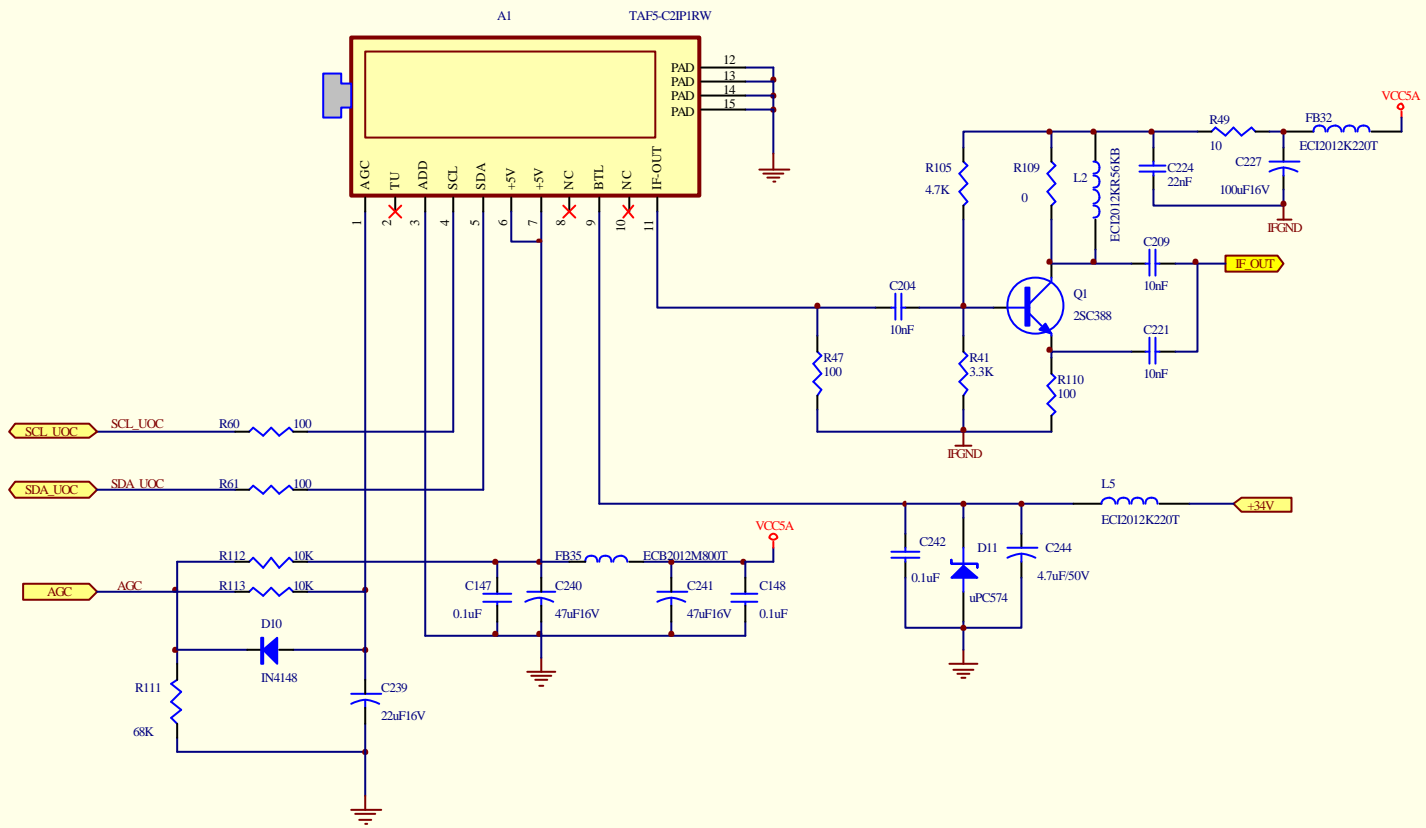


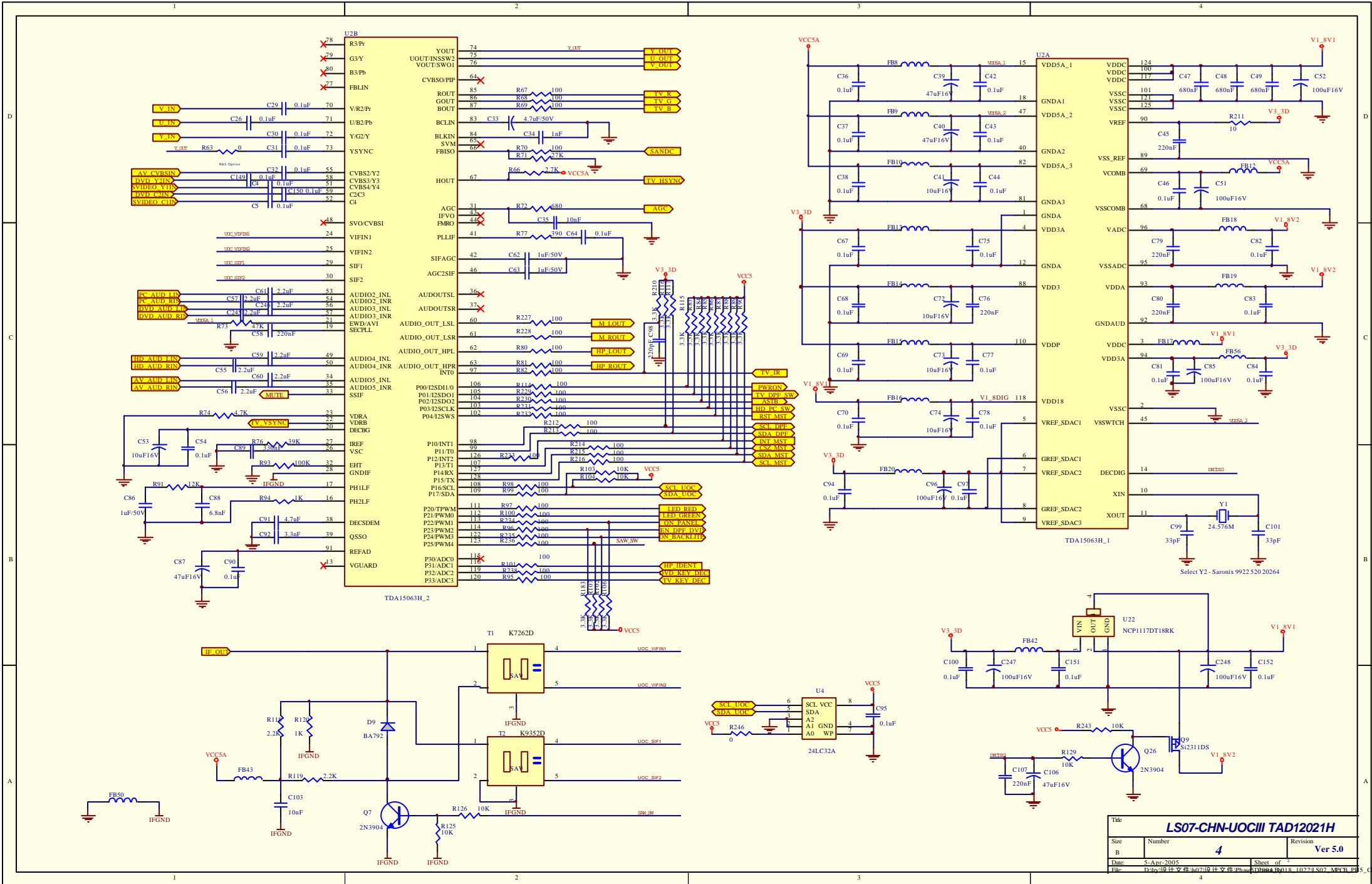
Title			LS07-CHN-LCDTV		
Size	Number			Revision	
B	1			Ver 5.0	
Date:	5-Apr-2005	Sheet of			
File:	D:\1\z\3\3\z#\140736\z#\Phase5_2004\DATA_B02\1.S07_MP_CTR_PHS_CHN.fcd.MP_2				



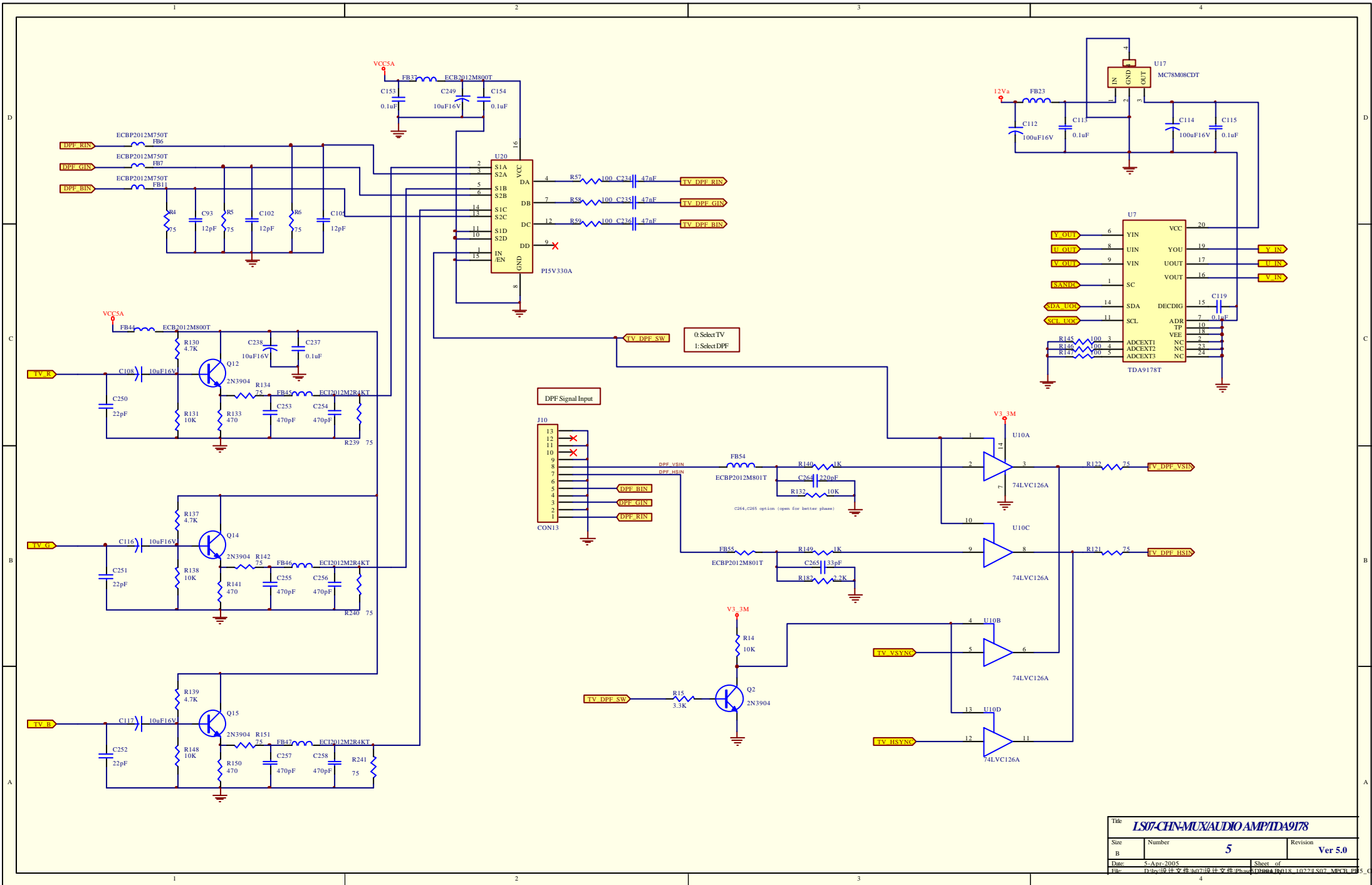
Title			
LS107-CHN-CONNECTORS			
Size	Number	2	Revision
B			Ver 5.0
Date	S.A. Aug 2005	Signal	
File	D:\2005\PCB\LS107\107-CHN-CONN.Pcb	Sheet	1 of 1



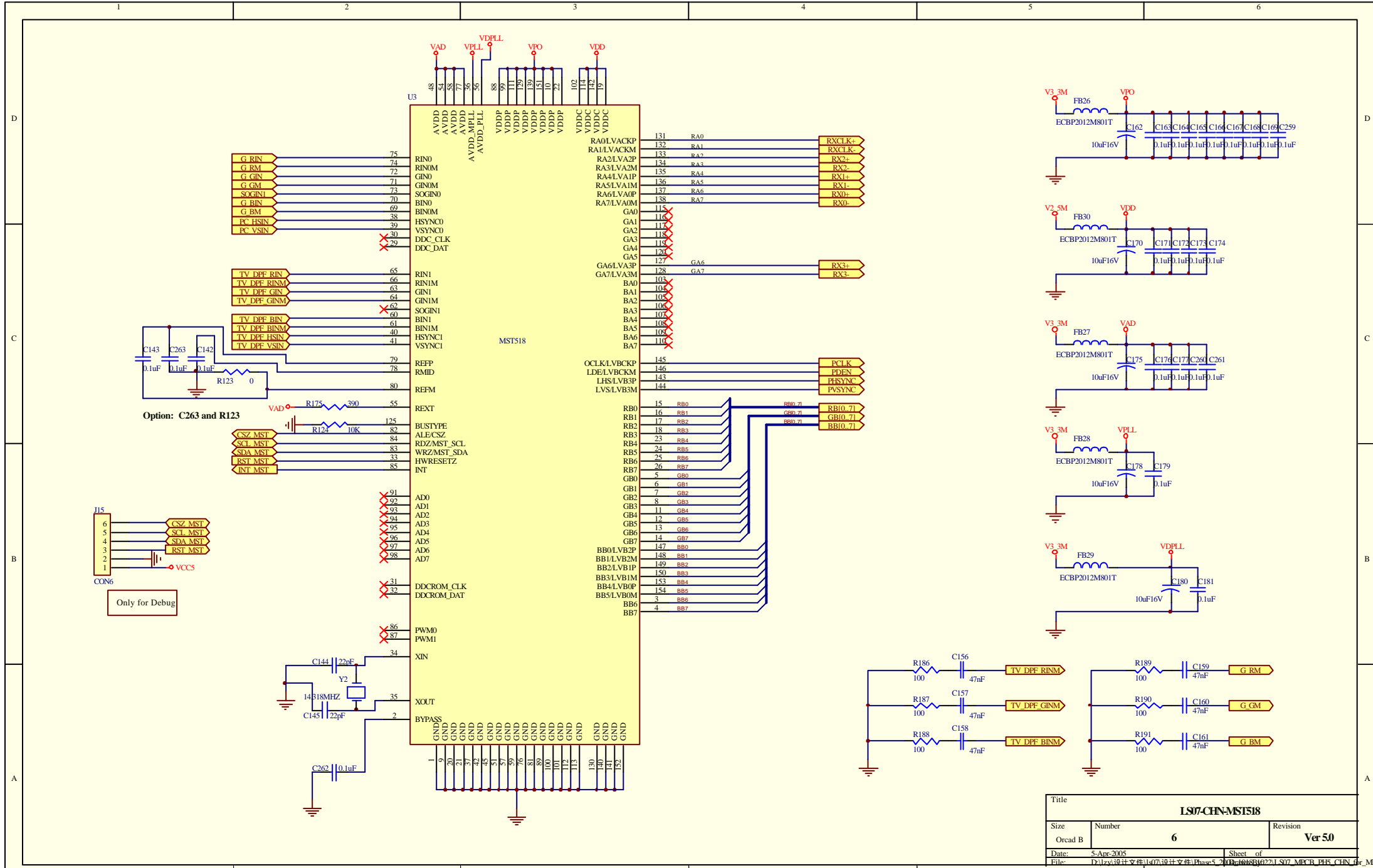
Title		
LS07-CHN-TUNER		
Size	Number	Revision
B	3	Ver 5.0
Date:	5-Apr-2005	Sheet of
File:	D:\zyw\设计文件\140738设计文件\Phase5_2004\PCBA\B09221.S07_MPCB_PHS_CHN.fpd	



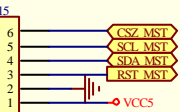
Title		
LS07-CHN-UOCIII TAD12021H		
Size	Number	Revision
B	4	Ver 5.0
Date:	5-Apr-2005	Sheet of 5
File:	D:\proj\ls07\ls07_1h\ls07_1h_10721_s07_mpcb.dwg	



Title		LS07-CHN-MUX/AUDIO AMP/TDA9178	
Size	Number	5	Revision
B			Ver 5.0
Date:	5-Apr-2005	Sheet of	
File:	D:\p1\设计文件\80716 机头\Phase1\02001_B0118_10721 S07_MPCB.P		

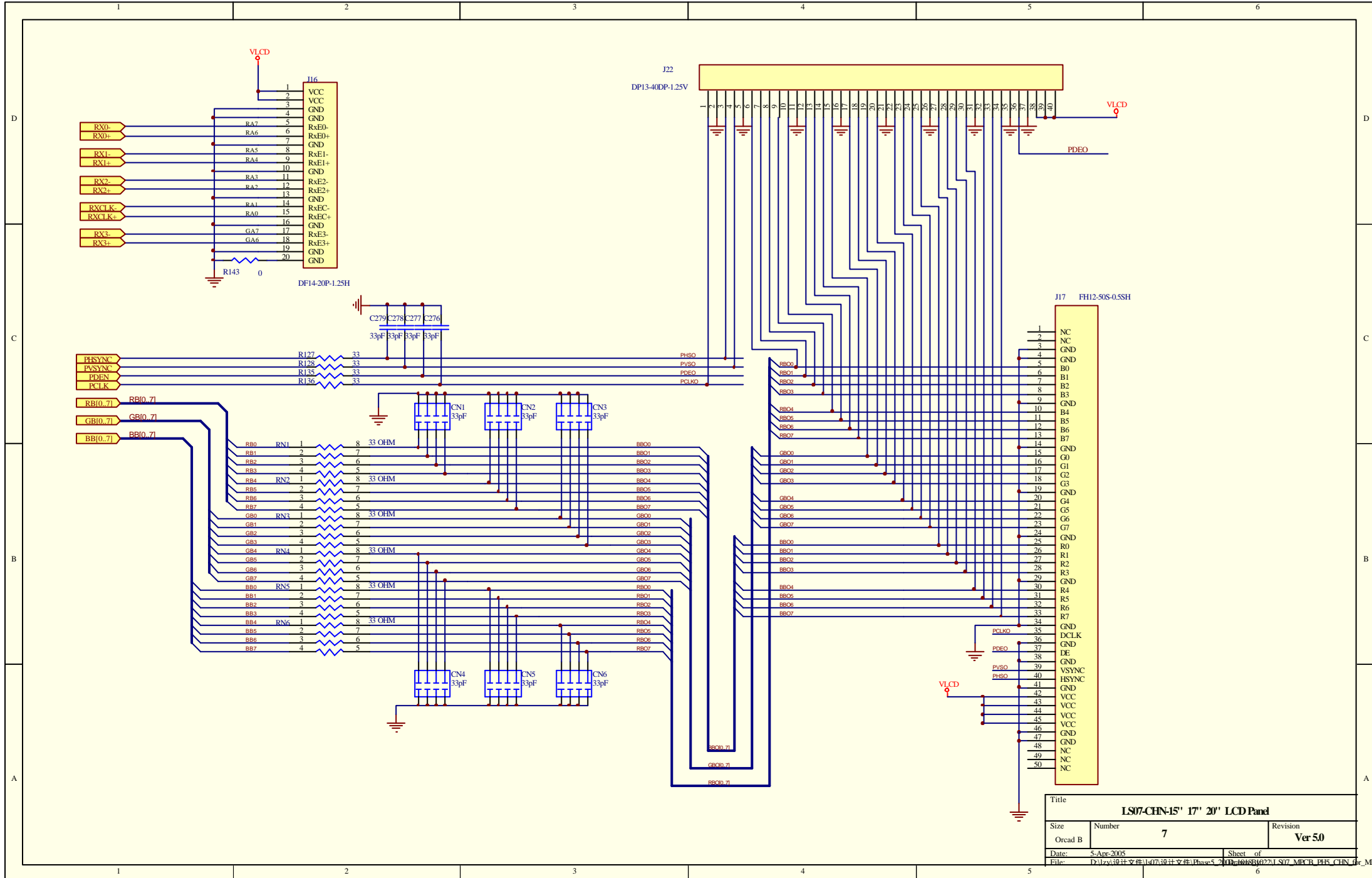


Option: C263 and R123

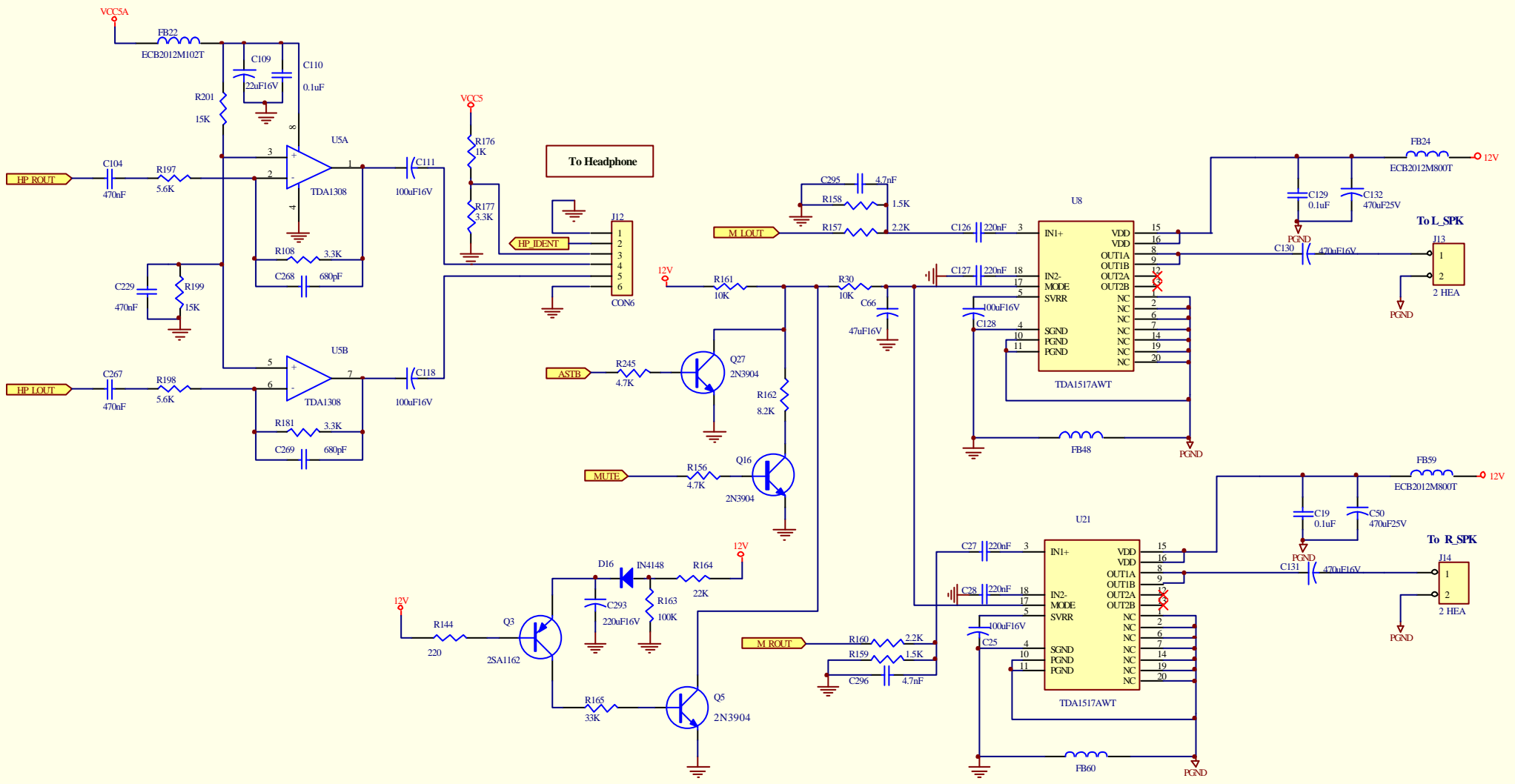


Only for Debug

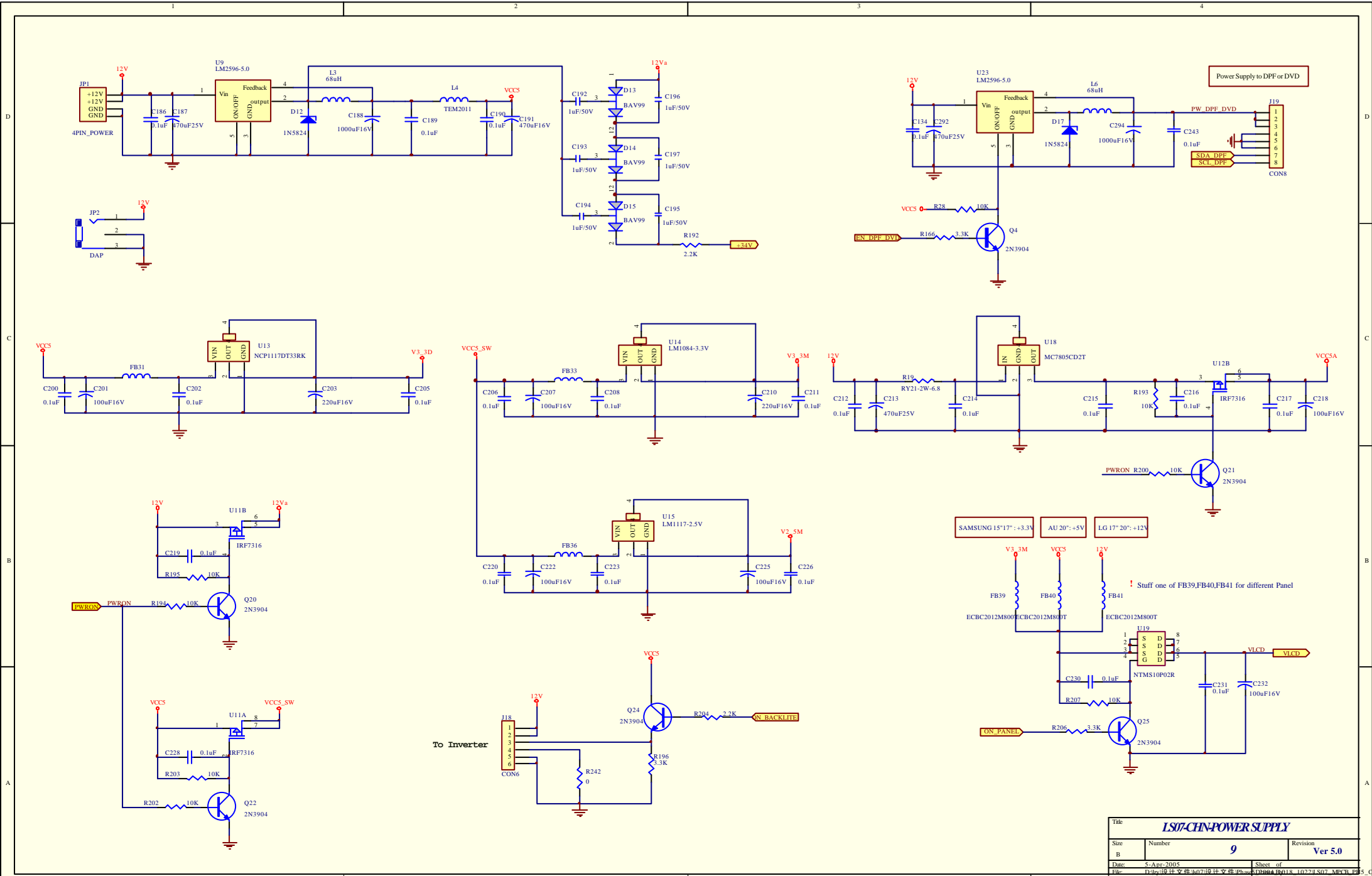
Title		
LS07-CHN-M5158		
Size	Number	Revision
Orcad B	6	Ver 5.0
Date:	5-Apr-2005	Sheet of
File:	D:\xyz\设计文件\140738设计文件\Phase5_3010146181610221_S07_MPCB_P45_CHN_0r_M	6



Title		
LS07-CHN-15' 17' 20' LCD Panel		
Size	Number	Revision
Orcad B	7	Ver 5.0
Date:	5-Apr-2005	Sheet of
File:	D:\xyz\设计文件\1407\设计文件\Phase5_700\04\08\01\02\1.S07_MPCB_PL15_CHN_0r.M	6



Title		
LS07-CHN Sound Amplifier and Headphone		
Size	Number	Revision
B	8	Ver 5.0
Date:	5-Apr-2005	Sheet of
File:	D:\123\设计文#\140738\设计文#\Phase5_2004\DATA_B922\LS07_MPCB_PHS_CHN.fpd	MP.2



Power Supply to DPF or DVD

SDA DPF
SCL DPF

CON8

VCCSA

PWRON

SAMSUNG 15" 17" +3.3V
AU 20" +5V
LG 17" 20" +12V

Stuff one of FB39,FB40,FB41 for different Panel

VLCD

ON PANEL

Title			
LS07-CHN-POWER SUPPLY			
Size	Number	Revision	
B	9	Ver 5.0	
Date:	5-Apr-2005	Sheet of	
File:		D:\projects\LS07-CHN-POWER SUPPLY\LS07-CHN-POWER SUPPLY.DSN	

UPDATE CON= +5V, VGA CONNECT WITH UOC
 UPDATE CON= 0V, VGA CONNECT WITH DDC

UPDATE_CON

R18
4.7k

Q6
2N3904

VCC5

R17
10k

SDA_UOC

DDC_SDA

VGA_SDA

U24
MC14016BDR2

VCC5

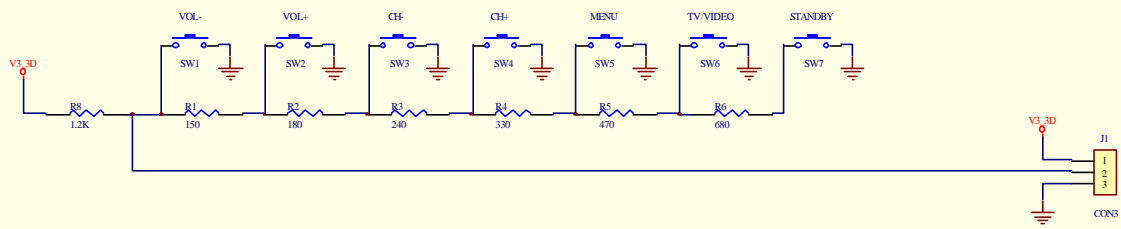
C65
0.1uF

SCL_UOC

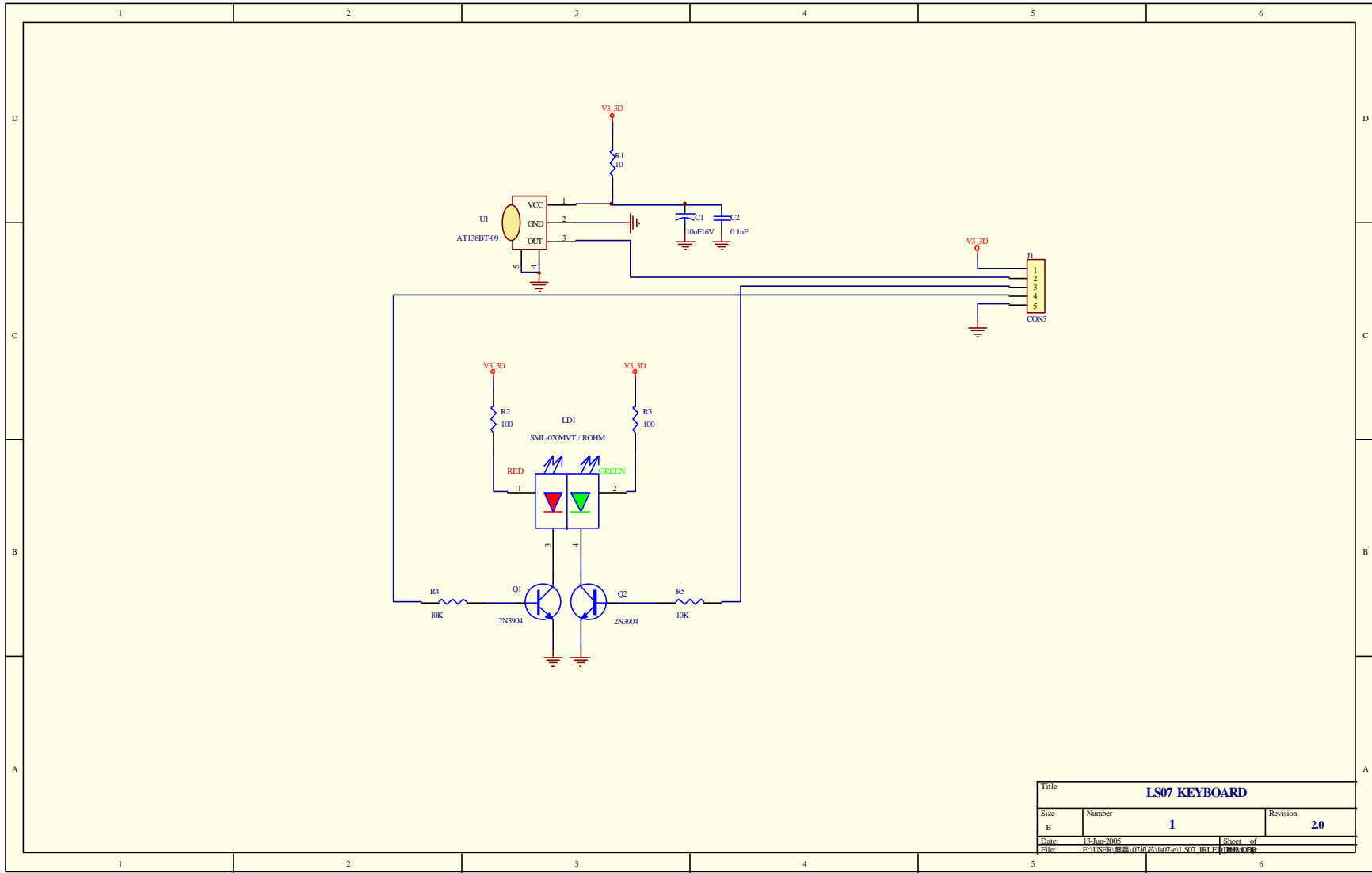
DDC_SCL

VGA_SCL

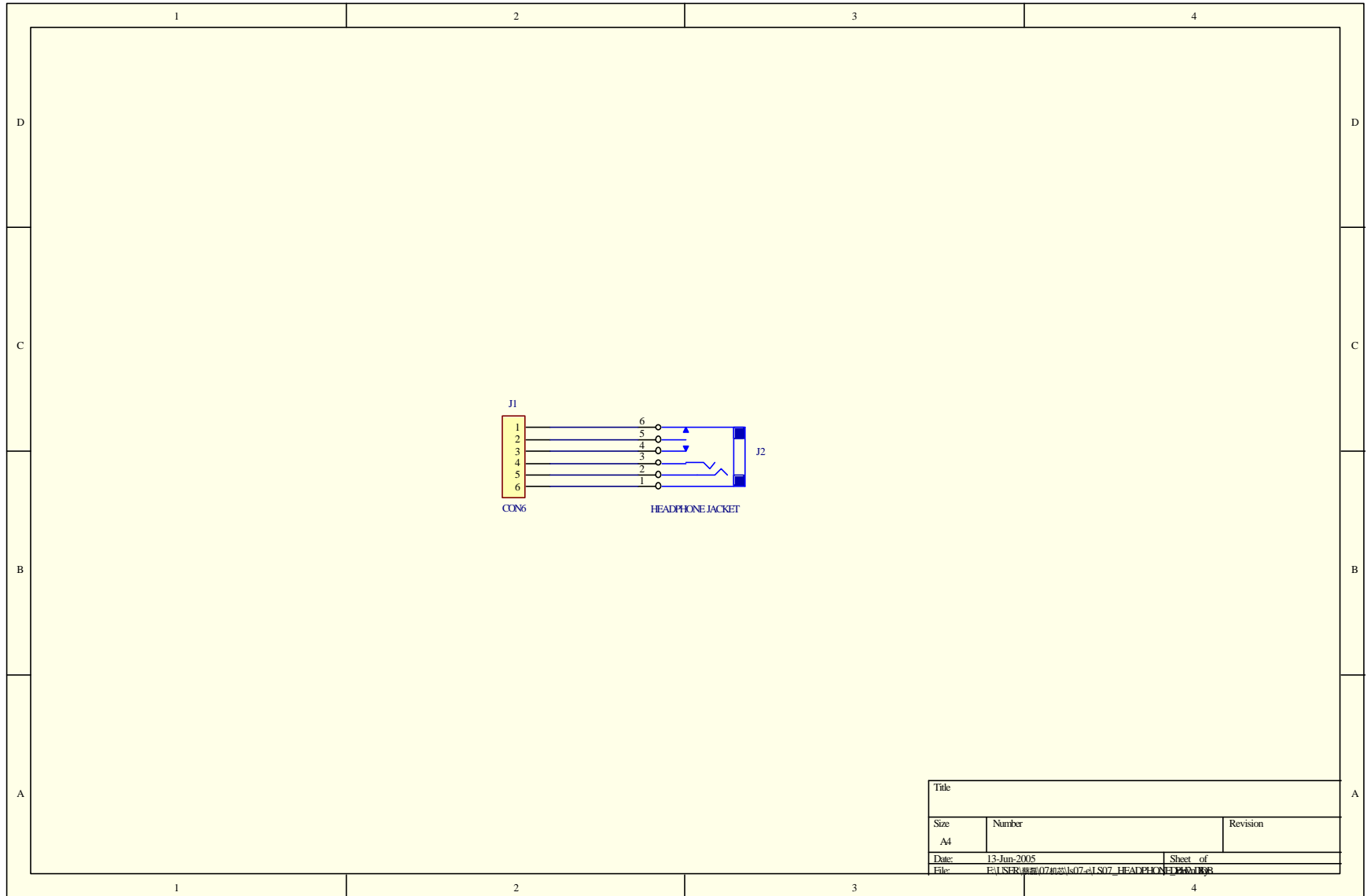
Title			VGA PORT UPDATE PROGRAM		
Size	Number	Revision		Ver 5.0	
A4	10				
Date:	5-Apr-2005	Sheet of			
File:	D:\zy\设计文件\ls07\设计文件\Phase5 2004\11\18\11022\LS07 MPCB PH5 CHN fdr_MP				



Title			LS07 KEYBOARD		
Size	Number			Revision	
B	1			2.0	
Date:	13-Jun-2005			Sheet	of
File:	E:\USER\8810726\5140726\LS07_KEY_BOARD.dwg				



Title			LS07 KEYBOARD		
Size	Number	1		Revision	2.0
B					
Date:	13-Jun-2005			Sheet	of
File:	E:\USER\8810726\5140726\LS07_KEYBOARD_1.PCB.CDR				



Title		
Size	Number	Revision
A4		
Date:	13-Jun-2005	Sheet of
File:	E:\SERV\再製(07)組立\07-01\S07_HEADPHONE\HEADPHONE	