



Internal Use Only

Website:<http://biz.LGservice.com>

COLOR MONITOR SERVICE MANUAL

CHASSIS NO. : LM84D

MODEL: **FLATRON** W2284F(W2284F-PFT.K***A**)

() **Same model for Service

CAUTION

BEFORE SERVICING THE UNIT,
READ THE SAFETY PRECAUTIONS IN THIS MANUAL.



CONTENTS

SPECIFICATIONS 2	ADJUSTMENT 13
PRECAUTIONS 4	TROUBLESHOOTING GUIDE 15
TIMING CHART 8	EXPLODED VIEW 19
DISASSEMBLY 9	REPLACEMENT PARTS LIST 21
BLOCK DIAGRAM 10	SCHEMATIC DIAGRAM 23
DESCRIPTION OF BLOCK DIAGRAM 11	

SPECIFICATIONS

1. LCD CHARACTERISTICS

Type : TFT Color LCD Module
 Active Display Area : 22 inch diagonal
 Pixel Pitch : 0.282(H) x 0.282 (V)
 Size : 493.7(H) x 320.1(V) x 16.5(D)
 Color Depth : 16.7M colors
 Electrical Interface : LVDS
 Surface Treatment : AG(Haze 25%), Hard Coating(3H)
 Operating Mode : Normally White
 Backlight Unit : 4 CCFL

2. OPTICAL CHARACTERISTICS

2-1. Viewing Angle by Contrast Ratio ≥ 5
 Left : +75° min., +88°(Typ) Right : -75° min., -88°(Typ)
 Top : +70° min., +85°(Typ) Bottom : -70° min., -85°(Typ)

2-2. Luminance : 180(Typ) (Typ. ± 30)-sRGB
 : 220(min), 300(Typ)-6500K
 : 150(min)-9300K

2-3. Contrast Ratio : 700(min), 1000(Typ)
 DFC -> 20000 : 1 (Typ)

3. SIGNAL (Refer to the Timing Chart)

3-1. Sync Signal
 • Type : Separate Sync, SOG, Digital

3-2. Video Input Signal
 1) Type : R, G, B Analog
 2) Voltage Level : 0~0.7 V
 3) Input Impedance : 75 Ω

3-3. Operating Frequency
 Horizontal : 30 ~ 83kHz
 Vertical : 56 ~ 75Hz

4. MAX. RESOLUTION

Analog : 1680 x 1050 @60Hz
 Digital : 1680 x 1050 @60Hz

5. POWER SUPPLY

5-1. Power Adaptor(Built-in Power)
 Input : AC 100-240V~, 50/60Hz, 1.0A

5-2. Power Consumption

MODE	H/V SYNC	VIDEO	POWER CONSUMPTION	LED COLOR
POWER ON (NORMAL)	ON/ON	ACTIVE	less than 50 W(max)	BLUE
			less than 45 W(typ)	
STAND BY	OFF/ON	OFF	less than 1 W	White and Blue LED blinking
SUSPEND	ON/OFF	OFF	less than 1 W	
DPMS OFF	OFF/OFF	OFF	less than 1 W	
POWER S/W OFF	-	-	less than 1 W	OFF

6. ENVIRONMENT

6-1. Operating Temperature : 10°C~35°C (50°F~95°F)
 6-2. Relative Humidity : 10%~80% (Non-condensing)
 6-3. MTBF : 50,000 HRS with 90%
 Confidence level
 Lamp Life : 50,000 Hours (Min)

7. DIMENSIONS (with TILT/SWIVEL)

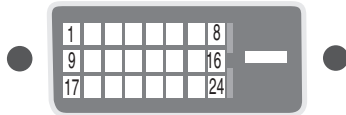
Width : 519 mm (20.43")
 Depth : 220 mm (8.66")
 Height : 427 mm (16.81")

8. WEIGHT (with TILT/SWIVEL)

Net. Weight : 4.4 kg (9.7 lbs)
 Gross Weight : 6.04 kg (13.32 lbs)

Signal Connector Pin Assignment

• DVI-D Connector (Digital)



Pin	Signal (DVI-D)
1	T. M. D. S. Data2-
2	T. M. D. S. Data2+
3	T. M. D. S. Data2/4 Shield
4	T. M. D. S. Data4-
5	T. M. D. S. Data4+
6	DDC Clock
7	DDC Data
8	Analog Vertical Sync.
9	T. M. D. S. Data1-
10	T. M. D. S. Data1+
11	T. M. D. S. Data1/3 Shield
12	T. M. D. S. Data3-
13	T. M. D. S. Data3+
14	+5V Power
15	Ground (return for +5V, H. Sync. and V. Sync.)

Pin	Signal (DVI-D)
16	Hot Plug Detect
17	T. M. D. S. Data0-
18	T. M. D. S. Data0+
19	T. M. D. S. Data0/5 Shield
20	T. M. D. S. Data5-
21	T. M. D. S. Data5+
22	T. M. D. S. Clock Shield
23	T. M. D. S. Clock+
24	T. M. D. S. Clock-

T. M. D. S. (Transition Minimized Differential Signaling)

PRECAUTION

WARNING FOR THE SAFETY-RELATED COMPONENT.

- There are some special components used in LCD monitor that are important for safety. **These parts are marked \triangle on the schematic diagram and the replacement parts list.** It is essential that these critical parts should be replaced with the manufacturer's specified parts to prevent electric shock, fire or other hazard.
- Do not modify original design without obtaining written permission from manufacturer or you will void the original parts and labor guarantee.

TAKE CARE DURING HANDLING THE LCD MODULE WITH BACKLIGHT UNIT.

- Must mount the module using mounting holes arranged in four corners.
- Do not press on the panel, edge of the frame strongly or electric shock as this will result in damage to the screen.
- Do not scratch or press on the panel with any sharp objects, such as pencil or pen as this may result in damage to the panel.
- Protect the module from the ESD as it may damage the electronic circuit (C-MOS).
- Make certain that treatment person's body are grounded through wrist band.
- Do not leave the module in high temperature and in areas of high humidity for a long time.
- The module not be exposed to the direct sunlight.
- Avoid contact with water as it may a short circuit within the module.
- If the surface of panel become dirty, please wipe it off with a softmaterial. (Cleaning with a dirty or rough cloth may damage the panel.)

\triangle CAUTION

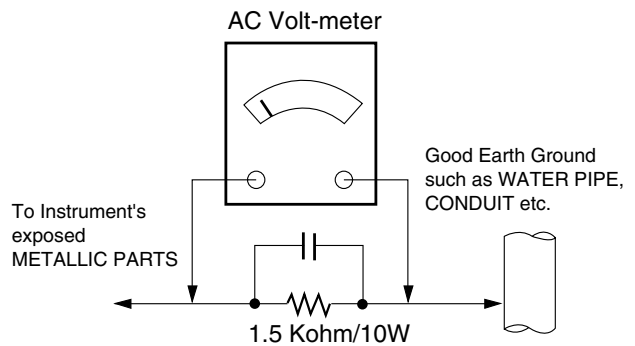
Please use only a plastic screwdriver to protect yourself from shock hazard during service operation.

\triangle WARNING

BE CAREFUL ELECTRIC SHOCK !

- If you want to replace with the new backlight (CCFL) or inverter circuit, must disconnect the AC adapter because high voltage appears at inverter circuit about 650Vrms.
- Handle with care wires or connectors of the inverter circuit. If the wires are pressed cause short and may burn or take fire.

Leakage Current Hot Check Circuit



SERVICING PRECAUTIONS

CAUTION: Before servicing receivers covered by this service manual and its supplements and addenda, read and follow the **SAFETY PRECAUTIONS** on page 3 of this publication.

NOTE: If unforeseen circumstances create conflict between the following servicing precautions and any of the safety precautions on page 3 of this publication, always follow the safety precautions. Remember: Safety First.

General Servicing Precautions

1. Always unplug the receiver AC power cord from the AC power source before;
 - a. Removing or reinstalling any component, circuit board module or any other receiver assembly.
 - b. Disconnecting or reconnecting any receiver electrical plug or other electrical connection.
 - c. Connecting a test substitute in parallel with an electrolytic capacitor in the receiver.
CAUTION: A wrong part substitution or incorrect polarity installation of electrolytic capacitors may result in an explosion hazard.
 - d. Discharging the picture tube anode.
2. Test high voltage only by measuring it with an appropriate high voltage meter or other voltage measuring device (DVM, FETVOM, etc) equipped with a suitable high voltage probe.
Do not test high voltage by "drawing an arc".
3. Discharge the picture tube anode only by (a) first connecting one end of an insulated clip lead to the degaussing or kine aquadag grounding system shield at the point where the picture tube socket ground lead is connected, and then (b) touch the other end of the insulated clip lead to the picture tube anode button, using an insulating handle to avoid personal contact with high voltage.
4. Do not spray chemicals on or near this receiver or any of its assemblies.
5. Unless specified otherwise in this service manual, clean electrical contacts only by applying the following mixture to the contacts with a pipe cleaner, cotton-tipped stick or comparable non-abrasive applicator; 10% (by volume) Acetone and 90% (by volume) isopropyl alcohol (90%-99% strength)
CAUTION: This is a flammable mixture.
Unless specified otherwise in this service manual, lubrication of contacts is not required.
6. Do not defeat any plug/socket B+ voltage interlocks with which receivers covered by this service manual might be equipped.
7. Do not apply AC power to this instrument and/or any of its electrical assemblies unless all solid-state device heat sinks are correctly installed.
8. Always connect the test receiver ground lead to the receiver chassis ground before connecting the test receiver positive lead.
Always remove the test receiver ground lead last.

9. Use with this receiver only the test fixtures specified in this service manual.

CAUTION: Do not connect the test fixture ground strap to any heat sink in this receiver.

Electrostatically Sensitive (ES) Devices

Some semiconductor (solid-state) devices can be damaged easily by static electricity. Such components commonly are called *Electrostatically Sensitive (ES) Devices*. Examples of typical ES devices are integrated circuits and some field-effect transistors and semiconductor "chip" components. The following techniques should be used to help reduce the incidence of component damage caused by static by static electricity.

1. Immediately before handling any semiconductor component or semiconductor-equipped assembly, drain off any electrostatic charge on your body by touching a known earth ground. Alternatively, obtain and wear a commercially available discharging wrist strap device, which should be removed to prevent potential shock reasons prior to applying power to the unit under test.
2. After removing an electrical assembly equipped with ES devices, place the assembly on a conductive surface such as aluminum foil, to prevent electrostatic charge buildup or exposure of the assembly.
3. Use only a grounded-tip soldering iron to solder or unsolder ES devices.
4. Use only an anti-static type solder removal device. Some solder removal devices not classified as "anti-static" can generate electrical charges sufficient to damage ES devices.
5. Do not use freon-propelled chemicals. These can generate electrical charges sufficient to damage ES devices.
6. Do not remove a replacement ES device from its protective package until immediately before you are ready to install it. (Most replacement ES devices are packaged with leads electrically shorted together by conductive foam, aluminum foil or comparable conductive material).
7. Immediately before removing the protective material from the leads of a replacement ES device, touch the protective material to the chassis or circuit assembly into which the device will be installed.
CAUTION: Be sure no power is applied to the chassis or circuit, and observe all other safety precautions.
8. Minimize bodily motions when handling unpackaged replacement ES devices. (Otherwise harmless motion such as the brushing together of your clothes fabric or the lifting of your foot from a carpeted floor can generate static electricity sufficient to damage an ES device.)

General Soldering Guidelines

1. Use a grounded-tip, low-wattage soldering iron and appropriate tip size and shape that will maintain tip temperature within the range of 500°F to 600°F.
2. Use an appropriate gauge of RMA resin-core solder composed of 60 parts tin/40 parts lead.
3. Keep the soldering iron tip clean and well tinned.
4. Thoroughly clean the surfaces to be soldered. Use a small wire-bristle (0.5 inch, or 1.25cm) brush with a metal handle.

Do not use freon-propelled spray-on cleaners.

5. Use the following unsoldering technique
 - a. Allow the soldering iron tip to reach normal temperature.
(500°F to 600°F)
 - b. Heat the component lead until the solder melts.
 - c. Quickly draw the melted solder with an anti-static, suction-type solder removal device or with solder braid.
6. Use the following soldering technique.
 - a. Allow the soldering iron tip to reach a normal temperature (500°F to 600°F)
 - b. First, hold the soldering iron tip and solder the strand against the component lead until the solder melts.

- c. Quickly move the soldering iron tip to the junction of the component lead and the printed circuit foil, and hold it there only until the solder flows onto and around both the component lead and the foil.

CAUTION: Work quickly to avoid overheating the circuit board printed foil.

- d. Closely inspect the solder area and remove any excess or splashed solder with a small wire-bristle brush.

IC Remove/Replacement

Some chassis circuit boards have slotted holes (oblong) through which the IC leads are inserted and then bent flat against the circuit foil. When holes are the slotted type, the following technique should be used to remove and replace the IC. When working with boards using the familiar round hole, use the standard technique as outlined in paragraphs 5 and 6 above.

Removal

1. Desolder and straighten each IC lead in one operation by gently prying up on the lead with the soldering iron tip as the solder melts.
2. Draw away the melted solder with an anti-static suction-type solder removal device (or with solder braid) before removing the IC.

Replacement

1. Carefully insert the replacement IC in the circuit board.
2. Carefully bend each IC lead against the circuit foil pad and solder it.
3. Clean the soldered areas with a small wire-bristle brush. (It is not necessary to reapply acrylic coating to the areas).

"Small-Signal" Discrete Transistor

Removal/Replacement

1. Remove the defective transistor by clipping its leads as close as possible to the component body.
2. Bend into a "U" shape the end of each of three leads remaining on the circuit board.
3. Bend into a "U" shape the replacement transistor leads.
4. Connect the replacement transistor leads to the corresponding leads extending from the circuit board and crimp the "U" with long nose pliers to insure metal to metal contact then solder each connection.

Power Output, Transistor Device

Removal/Replacement

1. Heat and remove all solder from around the transistor leads.
2. Remove the heat sink mounting screw (if so equipped).
3. Carefully remove the transistor from the heat sink of the circuit board.
4. Insert new transistor in the circuit board.
5. Solder each transistor lead, and clip off excess lead.
6. Replace heat sink.

Diode Removal/Replacement

1. Remove defective diode by clipping its leads as close as possible to diode body.
2. Bend the two remaining leads perpendicular y to the circuit board.
3. Observing diode polarity, wrap each lead of the new diode around the corresponding lead on the circuit board.
4. Securely crimp each connection and solder it.
5. Inspect (on the circuit board copper side) the solder joints of the two "original" leads. If they are not shiny, reheat them and if necessary, apply additional solder.

Fuse and Conventional Resistor

Removal/Replacement

1. Clip each fuse or resistor lead at top of the circuit board hollow stake.
2. Securely crimp the leads of replacement component around notch at stake top.
3. Solder the connections.

CAUTION: Maintain original spacing between the replaced component and adjacent components and the circuit board to prevent excessive component temperatures.

Circuit Board Foil Repair

Excessive heat applied to the copper foil of any printed circuit board will weaken the adhesive that bonds the foil to the circuit board causing the foil to separate from or "lift-off" the board. The following guidelines and procedures should be followed whenever this condition is encountered.

At IC Connections

To repair a defective copper pattern at IC connections use the following procedure to install a jumper wire on the copper pattern side of the circuit board. (Use this technique only on IC connections).

1. Carefully remove the damaged copper pattern with a sharp knife. (Remove only as much copper as absolutely necessary).
2. Carefully scratch away the solder resist and acrylic coating (if used) from the end of the remaining copper pattern.
3. Bend a small "U" in one end of a small gauge jumper wire and carefully crimp it around the IC pin. Solder the IC connection.
4. Route the jumper wire along the path of the out-away copper pattern and let it overlap the previously scraped end of the good copper pattern. Solder the overlapped area and clip off any excess jumper wire.

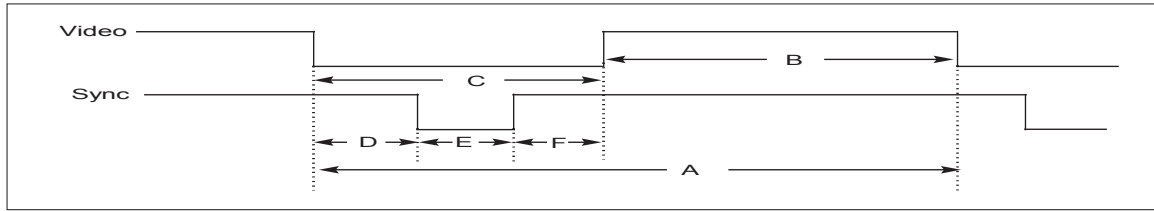
At Other Connections

Use the following technique to repair the defective copper pattern at connections other than IC Pins. This technique involves the installation of a jumper wire on the component side of the circuit board.

1. Remove the defective copper pattern with a sharp knife.
Remove at least 1/4 inch of copper, to ensure that a hazardous condition will not exist if the jumper wire opens.
2. Trace along the copper pattern from both sides of the pattern break and locate the nearest component that is directly connected to the affected copper pattern.
3. Connect insulated 20-gauge jumper wire from the lead of the nearest component on one side of the pattern break to the lead of the nearest component on the other side.
Carefully crimp and solder the connections.

CAUTION: Be sure the insulated jumper wire is dressed so the it does not touch components or sharp edges.

TIMING CHART



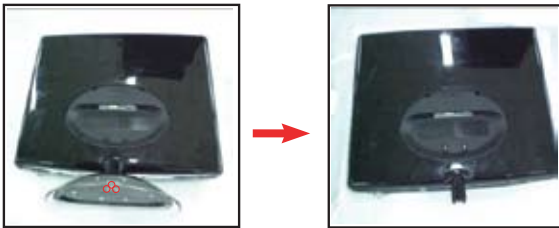
MODE	CLASSIFICATION	Polarity	DOT CLOCK [MHz]	Frequency [kHz]/ [Hz]	Total Period (E)	Display (A)	Front Porch (D)	Sync. (C)	Back Porch (B)	Resolution
1	H(Pixels)	-	28.321	31.468	900	720	18	108	54	720 X
	V(Lines)	+		70.08	449	400	12	2	35	400
2	H(Pixels)	-	25.175	31.469	800	640	16	96	48	640 x
	V(Lines)	-		59.94	525	480	10	2	33	480
3	H(Pixels)	-	31.5	37.5	840	640	16	64	120	640 x
	V(Lines)	-		75	500	480	1	3	16	480
4	H(Pixels)	+	40.0	37.879	1056	800	40	128	88	800 x
	V(Lines)	+		60.317	628	600	1	4	23	600
5	H(Pixels)	+	49.5	46.875	1056	800	16	80	160	800 x
	V(Lines)	+		75.0	625	600	1	3	21	600
6	H(Pixels)	-	65.0	48.363	1344	1024	24	136	160	1024 x
	V(Lines)	-		60.0	806	768	3	6	29	768
7	H(Pixels)	-	78.75	60.123	1312	1024	16	96	176	1024 x
	V(Lines)	-		75.029	800	768	1	3	28	768
8	H(Pixels)	+/-	108.0	67.500	1600	1152	64	128	256	1152 x
	V(Lines)	+/-		75.000	900	864	1	3	32	864
9	H(Pixels)	+	108.0	63.981	1688	1280	48	112	248	1280 x
	V(Lines)	+		60.02	1066	1024	1	3	38	1024
10	H(Pixels)	+	135.0	79.976	1688	1280	16	144	248	1280 x
	V(Lines)	+		75.035	1066	1024	1	3	38	1024
11	H(Pixels)	+	119	64.674	1840	1680	48	32	80	1680 x
	V(Lines)	-		59.883	1080	1050	3	6	21	1050
12	H(Pixels)	-	146.25	65.290	2240	1680	104	176	280	1680 x
	V(Lines)	+		59.954	1089	1050	3	6	30	1050

DISASSEMBLY

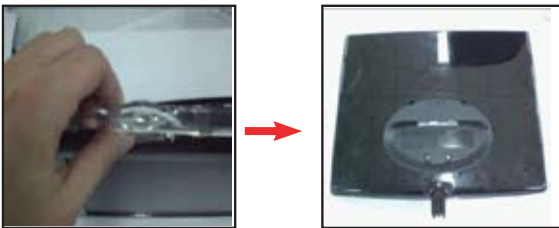
1. Put a cushion or soft cloth on a flat surface.
2. Place the monitor face down on the cushion or soft cloth.



3. Remove the screw .



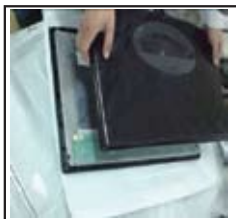
4. Take off the front deco.



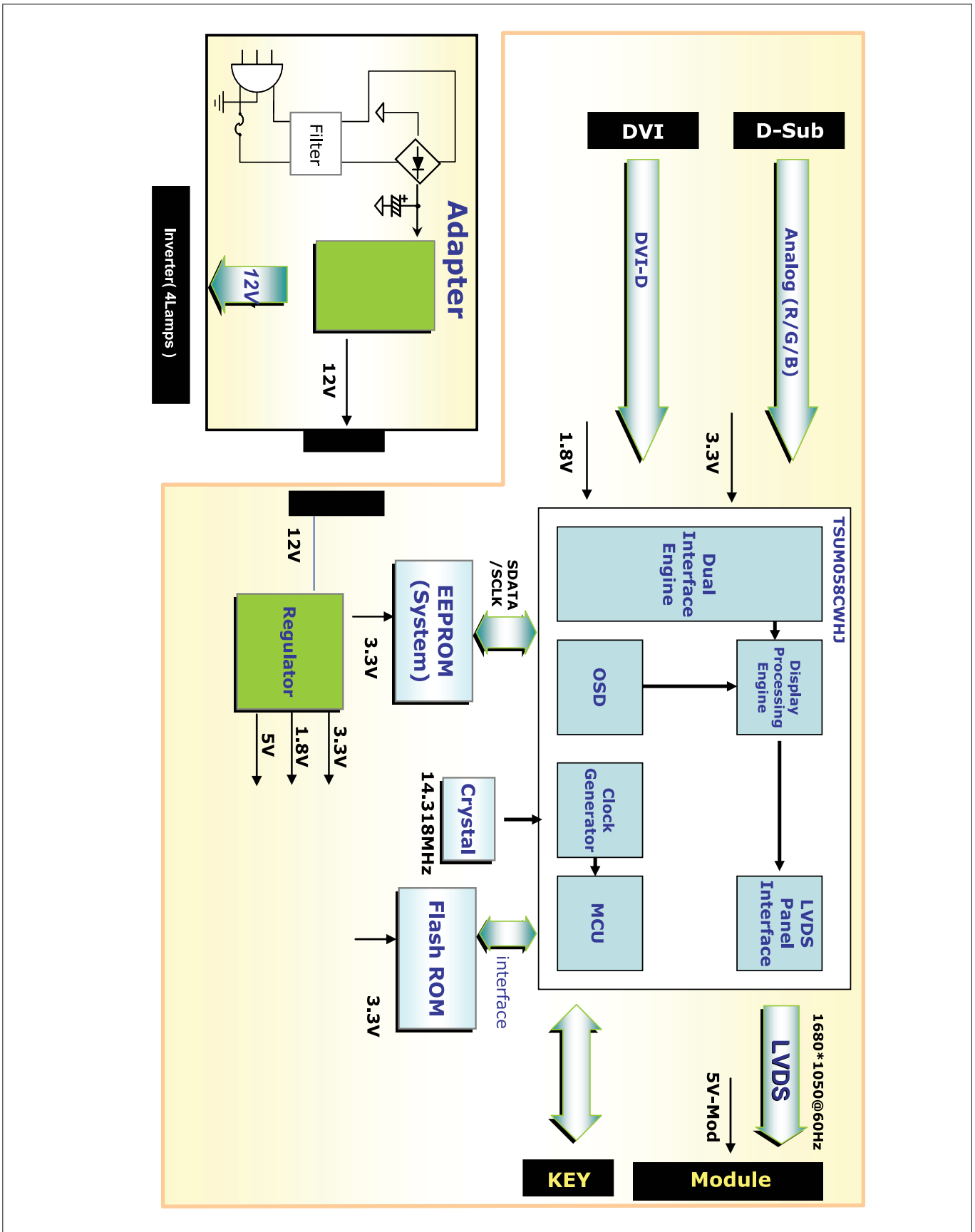
5. Pull the front cover upward, then separate all the latches



6. place the monitor face down, then disassemble back cover .



BLOCK DIAGRAM



DESCRIPTION OF BLOCK DIAGRAM

1. Video Controller Part.

This part amplifies the level of video signal for the digital conversion and converts from the analog video signal to the digital video signal using a pixel clock.

The pixel clock for each mode is generated by the PLL.

The range of the pixel clock is 146MHz In W2284F.

This part consists of the Scaler, ADC convertor, TMDS receiver and LVDS transmitter.

The Scaler gets the video signal converted analog to digital, interpolates input to 1680X1050(W2284F) resolution signal and outputs 8-bit R, G, B signal to transmitter.

2. Power Part.

This part consists of the one 3.3V, one 1.8V and one 5V regulators to convert power which is provided 5V by adapter. 12V is provided for inverter in W2284F.

Also, 5V is converted 3.3V and 1.8V by regulator. Converted power is provided for IC in the main board.

The inverter converts from DC 12V to AC 700Vrms and operates back-light lamps of module in W2284F.

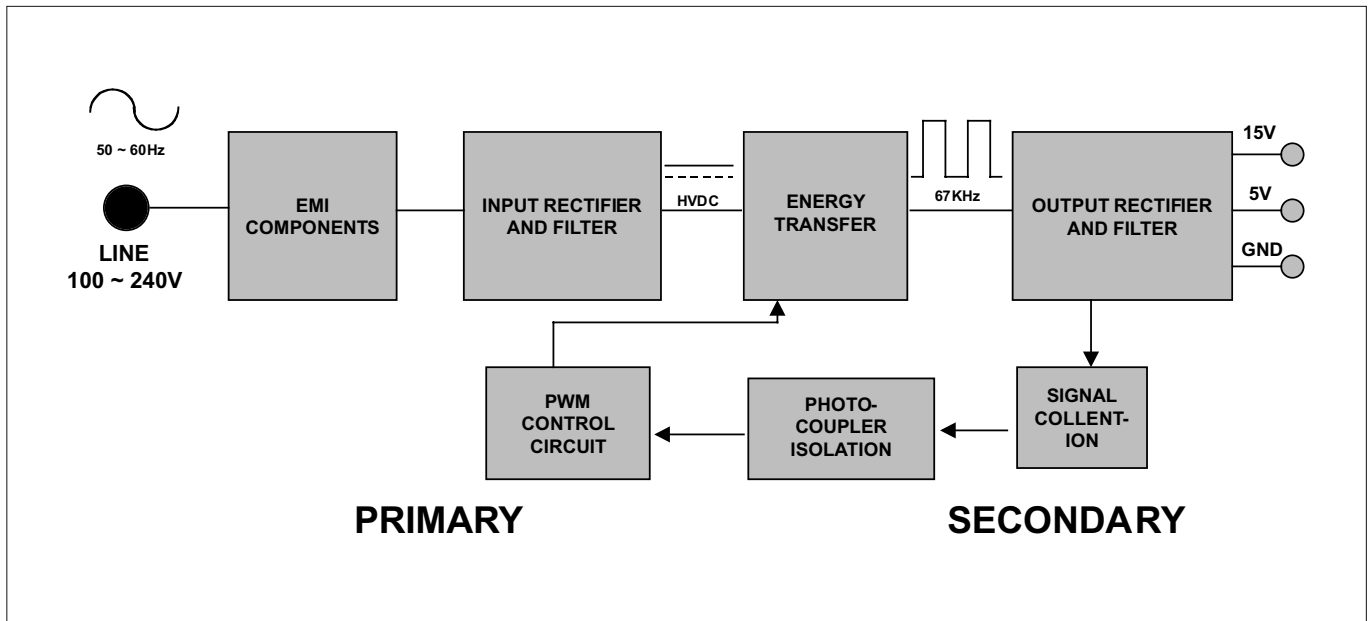
3. MICOM Part.

This part is include video controller part. And this part consists of EEPROM IC , control data, Reset IC and the Micom.

The Micom distinguishes polarity and frequency of the H/V sync are supplied from signal cable.

The controlled data of each modes is stored in EEPROM.

LIPS Board Block Diagram



Operation description_Power

1. EMI components.

This part contains of EMI components to comply with global marketing EMI standards like FCC,VCCI CISPR, the circuit included a line-filter, across line capacitor and of course the primary protection fuse.

2. Input rectifier and filter.

This part function is for transfer the input AC voltage to a DC voltage through a bridge rectifier and a bulk capacitor.

3. Energy Transfer.

This part function is for transfer the primary energy to secondary through a power transformer.

4. Output rectifier and filter.

This part function is to make a pulse width modulation control and to provide the driver signal to power switch, to adjust the duty cycle during different AC input and output loading condition to achieve the dc output stabilized, and also the over power protection is also monitor by this part.

5. Photo-Coupler isolation.

This part function is to feed back the DC output changing status through a photo transistor to primary controller to achieve the stabilized DC output voltage.

6. Signal collection.

This part function is to collect the any change from the DC output and feed back to the primary through photo transistor.

ADJUSTMENT

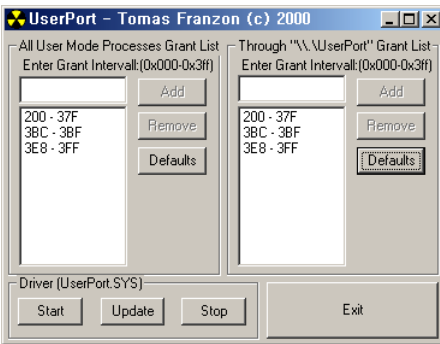
Windows EDID V1.0 User Manual

Operating System: MS Windows 98, 2000, XP
 Port Setup: Windows 98 => Doesn't need setup
 Windows 2000, XP => Need to Port Setup.

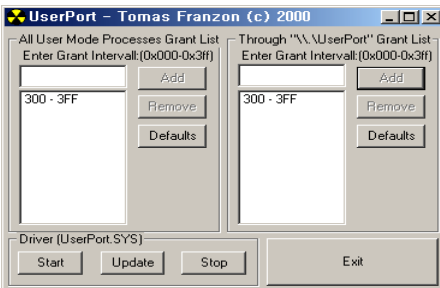
This program is available for LCD Monitor only.

1. Port Setup

- a) Copy "UserPort.sys" file to "c:\WINNT\system32\drivers" folder
- b) Run Userport.exe



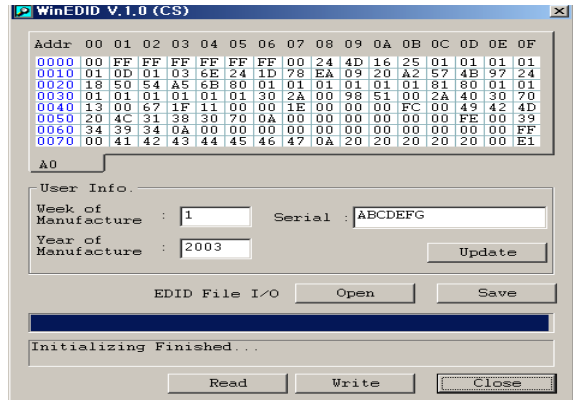
- c) Remove all default number
- d) Add 300-3FF



- e) Click Start button.
- f) Click Exit button.

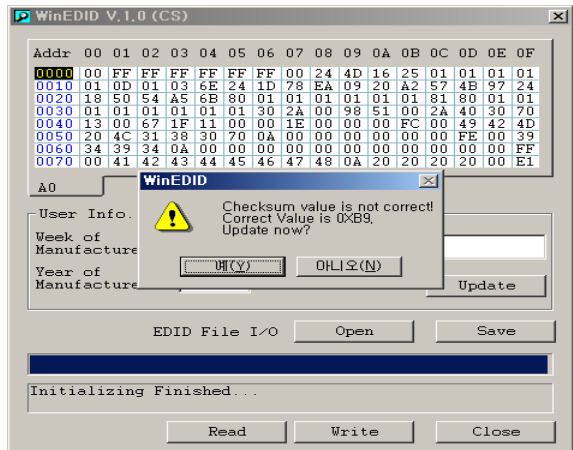
2. EDID Read & Write

1) Run WinEDID.exe



2) Edit Week of Manufacture, Year of Manufacture, Serial Number

- a) Input User Info Data
- b) Click "Update" button
- c) Click "Write" button



SERVICE OSD

- 1) Turn off the power switch at the right side of the display.
- 2) Wait for about 5 seconds and press MENU, POWER switch for 1 second interval.
- 3) The SVC OSD menu contains additional menus that the User OSD menu as described below.
 - a) CLEAR ETI : To initialize using time.
 - b) Auto Color : W/B balance and Automatically sets the gain and offset value.
(press key for over 3 sec)
 - c) AGING : Select Aging mode(on/off).
 - d) Module : To select applied module.
 - e) NVRAM INIT : EEPROM initialize.(24C16, press key for over 3 sec)
 - f) R/G/B-9300K : Allows you to set the R/G/B-9300K value manually.
 - g) R/G/B-6500K : Allows you to set the R/G/B-6500K value manually.
 - h) R/G/B-Offset : Allows you to set the R/G/B-Offset value manually.(Analog Only)
 - i) R/G/B-Gain : Allows you to set the R/G/B-Gain value manually.(Analog Only)

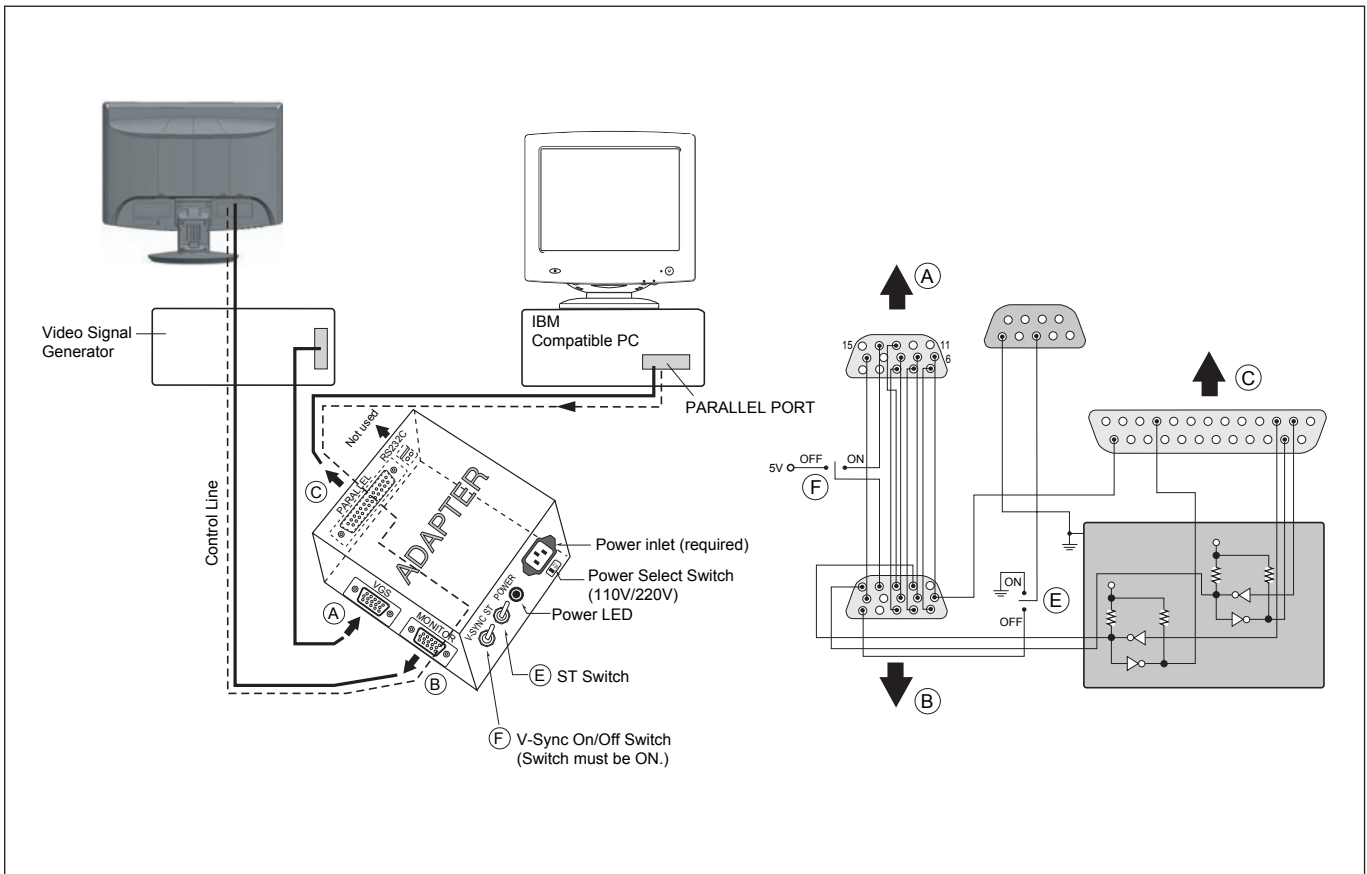
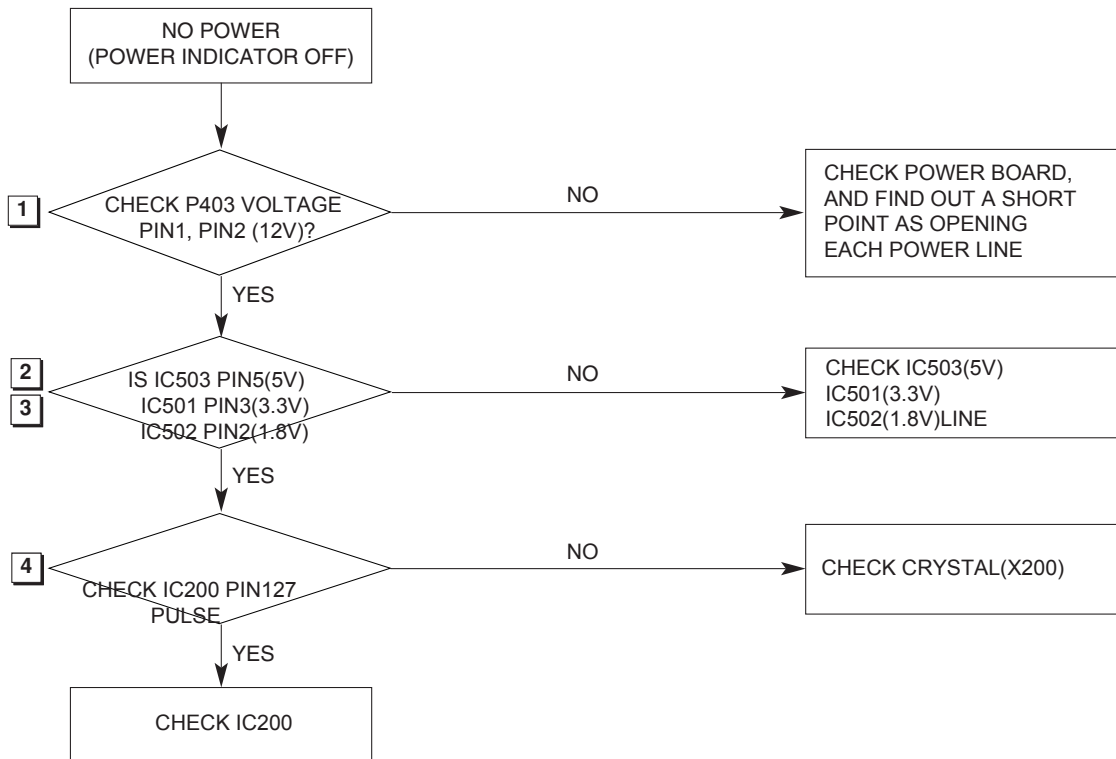


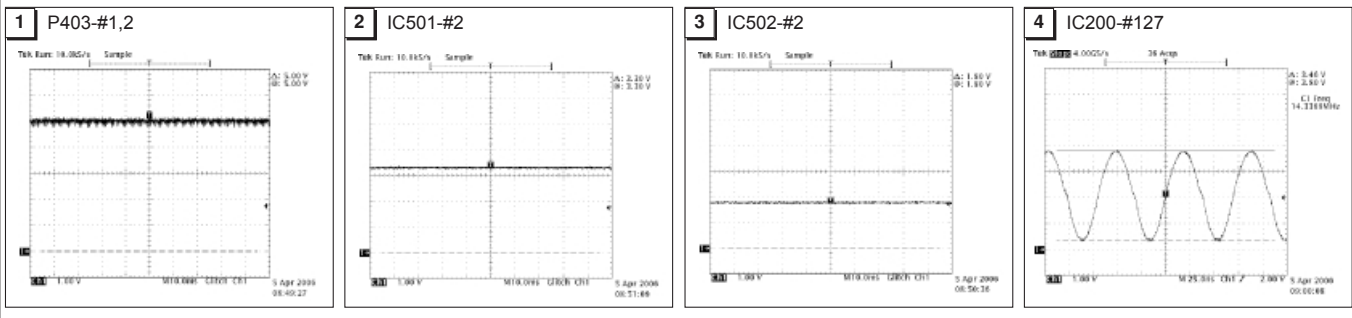
Figure 1. Cable Connection

TROUBLESHOOTING GUIDE

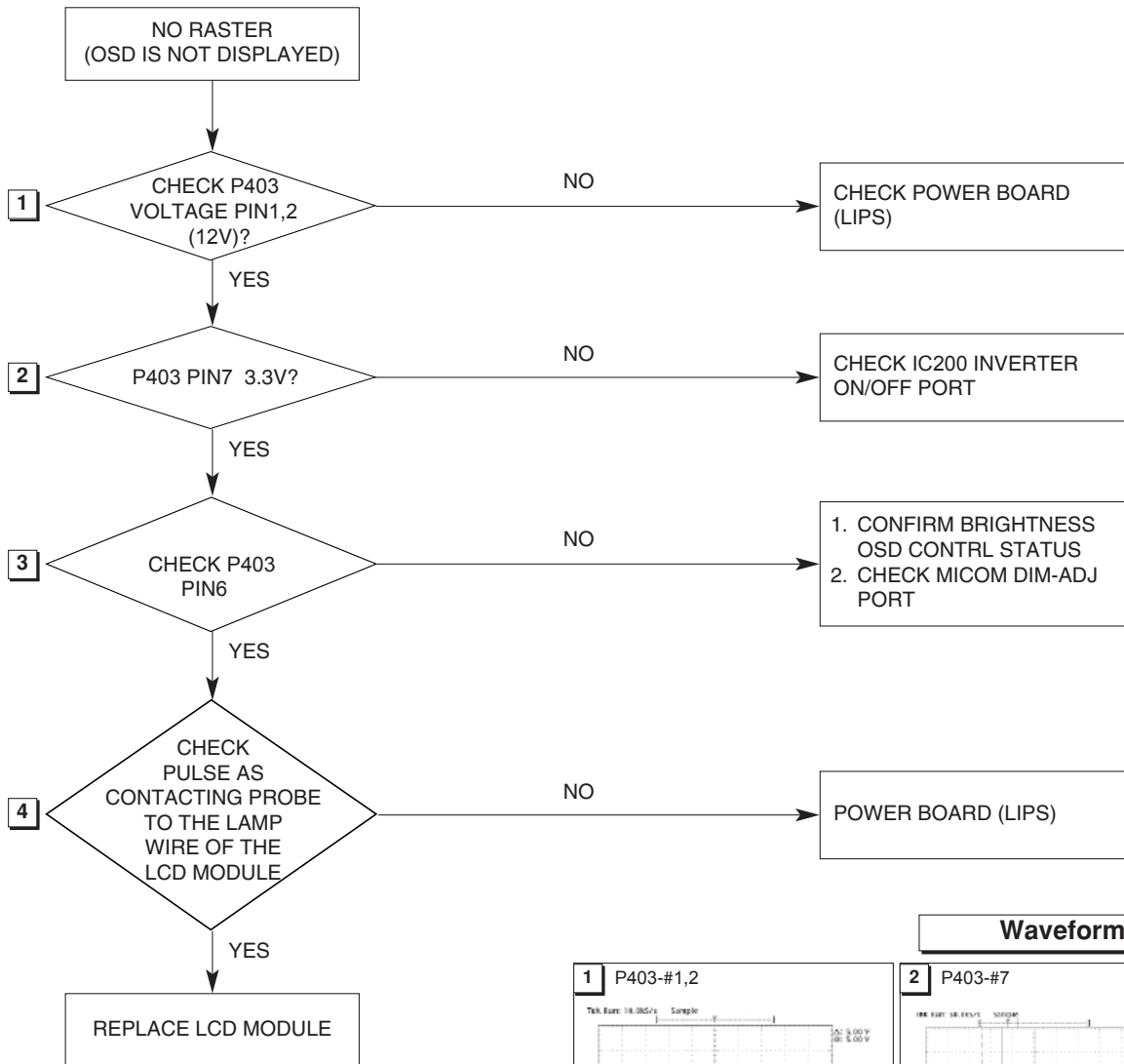
1. NO POWER



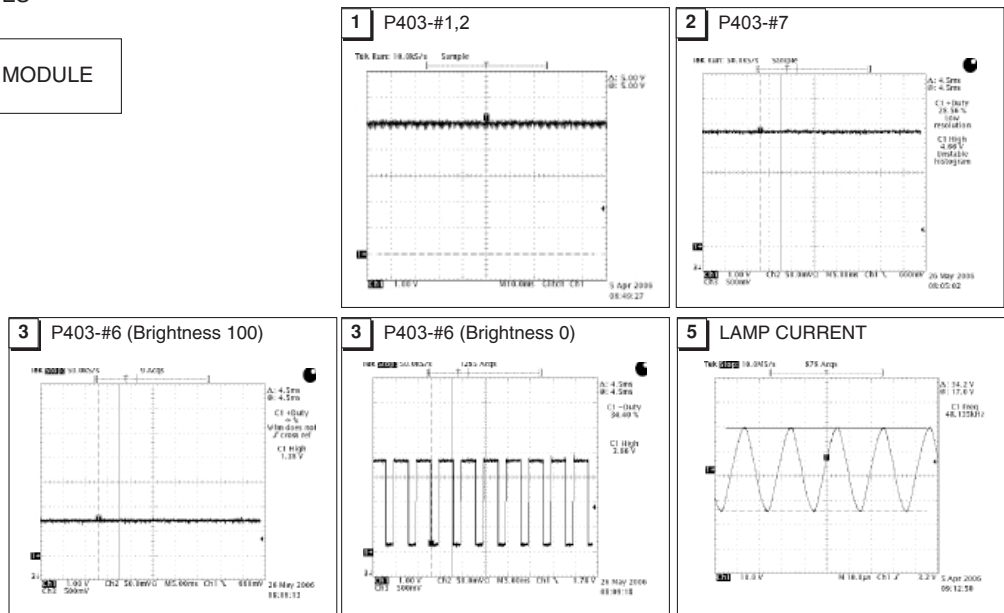
Waveforms



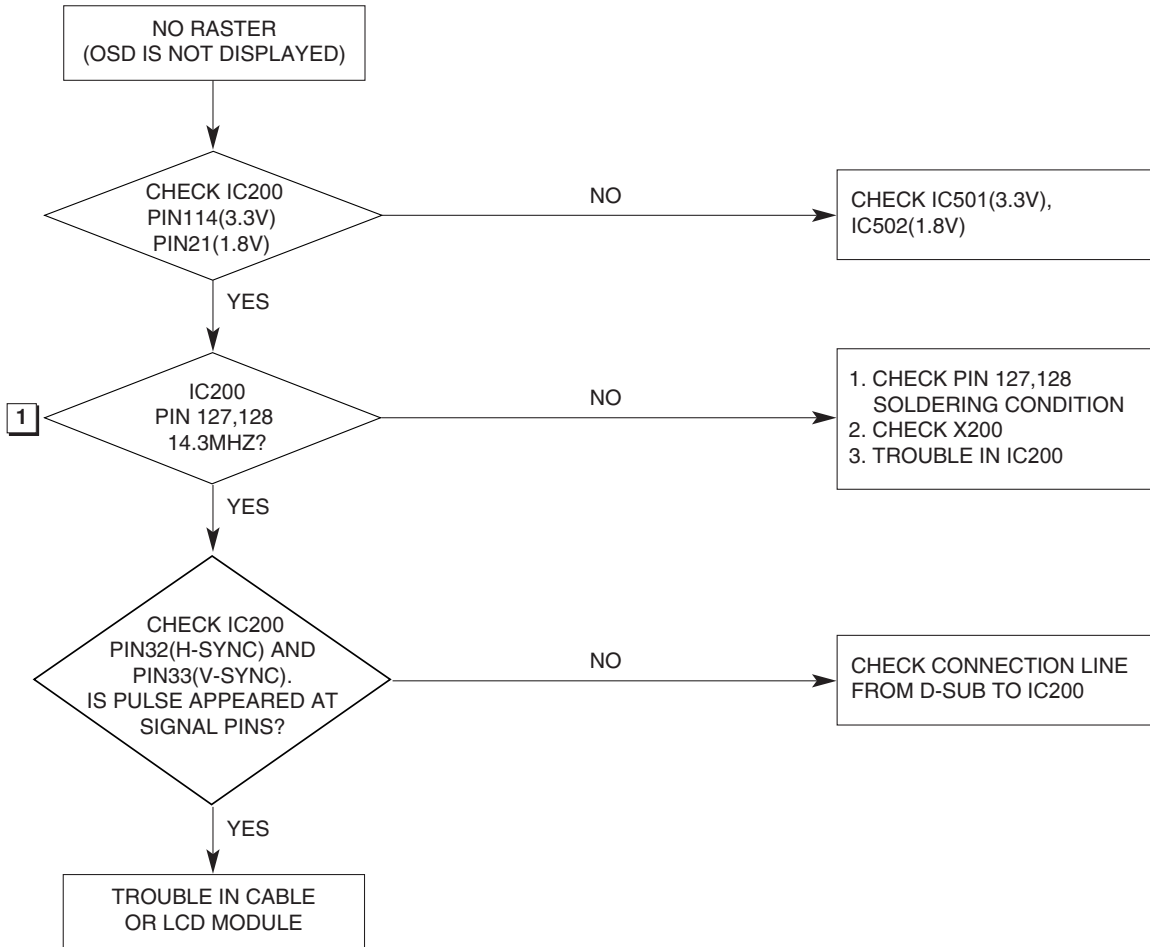
2. NO RASTER (OSD IS NOT DISPLAYED) – LIPS



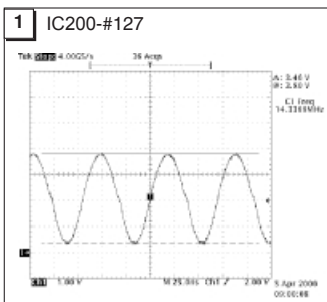
Waveforms



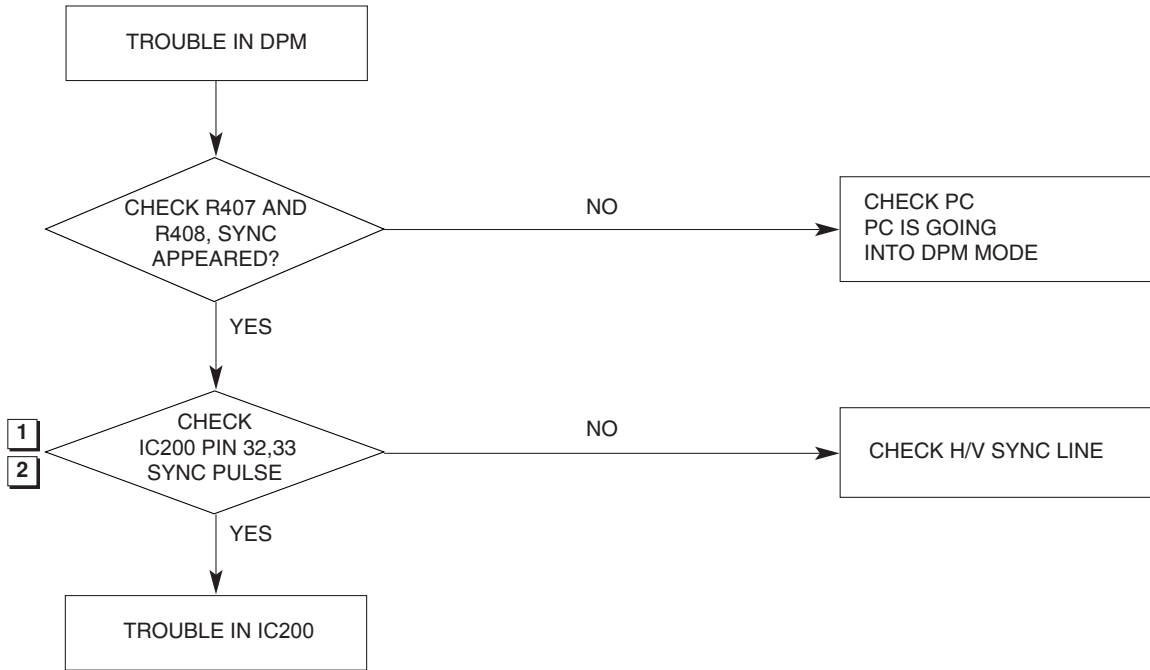
3. NO RASTER (OSD IS NOT DISPLAYED) - MAIN



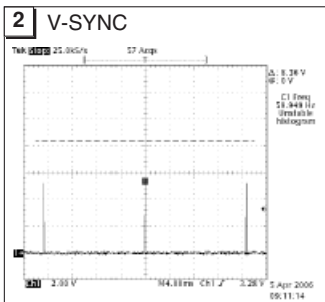
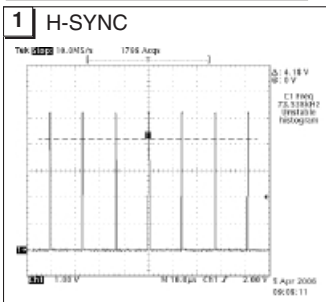
Waveforms



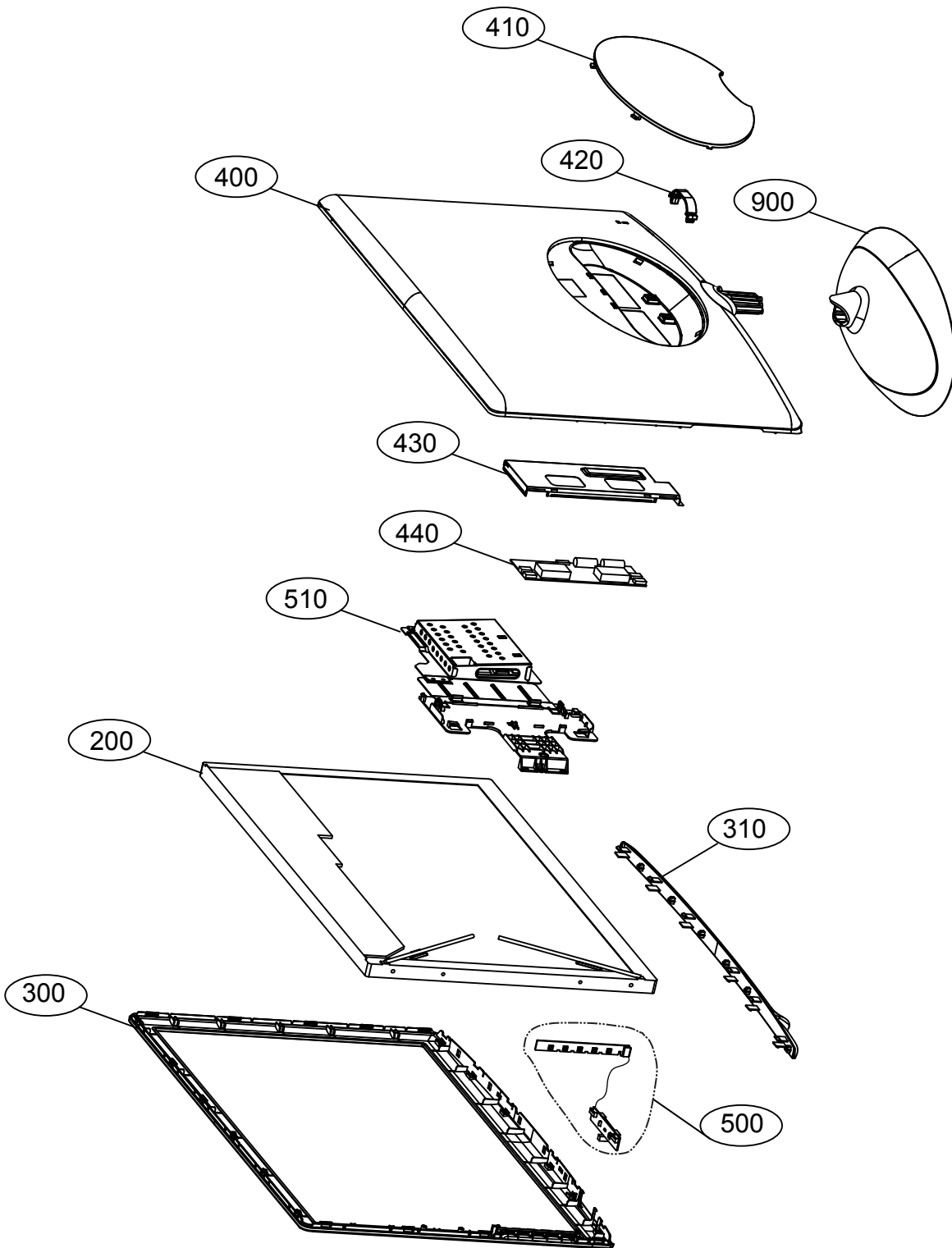
4. TROUBLE IN DPM



Waveforms



EXPLODED VIEW PARTS LIST



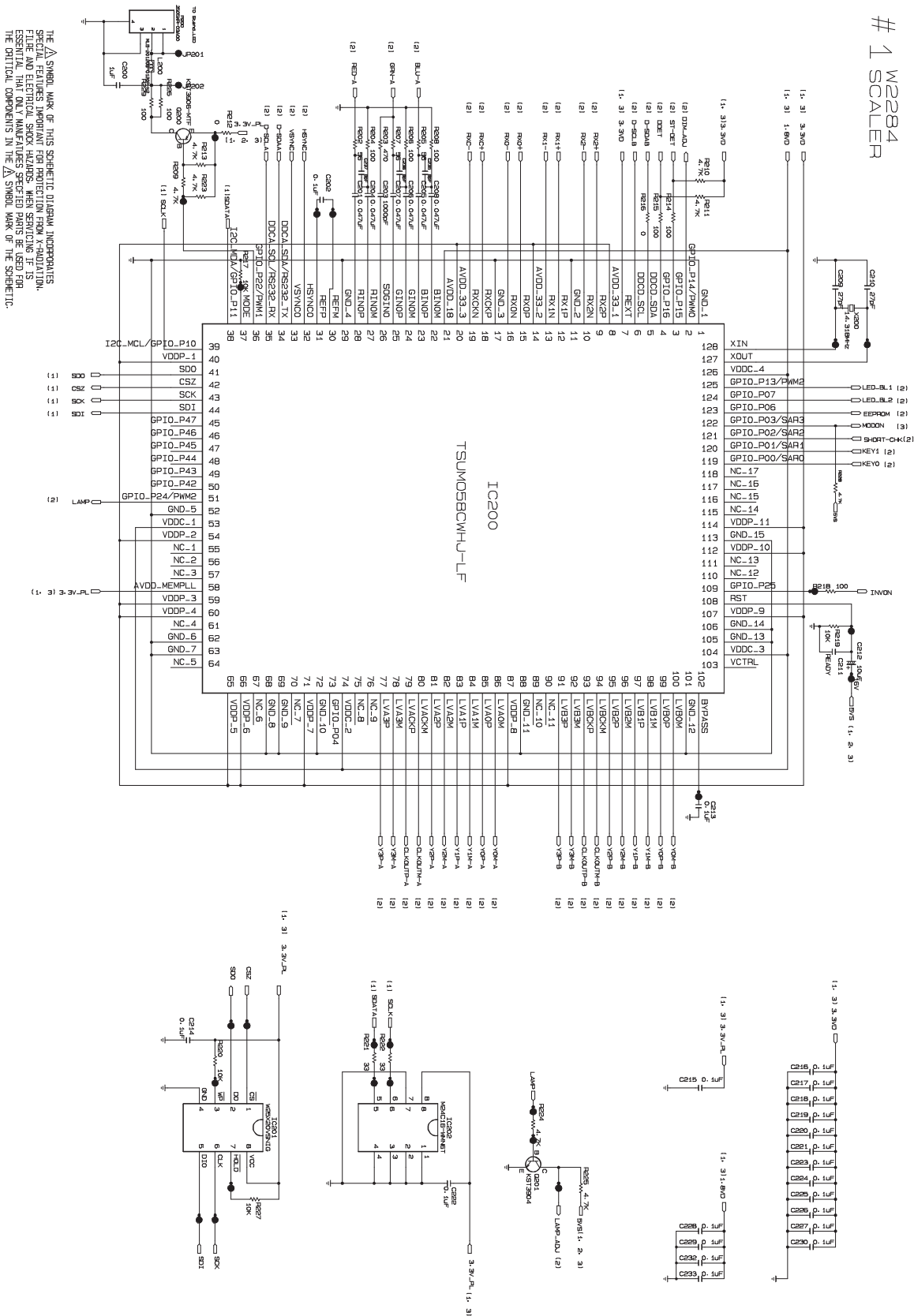
EXPLODED VIEW PARTS LIST

Ref.No	Part No.	description
200	EAJ38178401	LM220WE1-TLD1 WSXGA 22.0INCH 1680X1050 300CD COLOR 72% 16/10 1000:1 5ms,TN,P7(MMG), 160/160,4CCFL, 16.7M(6BIT+Hi-FRC),Non-Glare,Source:Novatek, Gate:OKI
300	ABJ37063701	Cabinet Assembly,W2284 LM84D 22"
310	MCK42401101	MOLD PC W2284T PC COVER, FRONT CLEAR DECO
400	ACQ37063801	Cover Assembly,W2284 LM84D 22"
410	MCV42401301	Door,MOLD ABS HF-350U W2284T B/COVER COVER, BACK DOOR BLACK GROSSY
420	MEG42401501	Holder,MOLD NYLON 66 CABLE W2284T CABLE HOLDER FOR SIGNAL CABLES
430	MGJ42402901	Plate,Shield,PRESS SPTE 0.3T LAMP SPTE W2284T METAL, INVERTER SHIELD.
440	EAY37261403	Inverter,DC/AC,PPW-CC22MT-O(O) 11.5VTO12.5V 1.9KV 7.3A 4 YES Lamp Frequency 50KHz, Ignition Time : More than 1sec PEOPLEWORKS INC.
500	AGF56193401	Package Assembly,CONTROL W2284
510	AGF37014101	Package Assembly,TOTAL L2284T-PFT .TSUMO58C ADAPTER MODEL
900	AAN37063901	Base Assembly,STAND W2284 LM74D

SCHEMATIC DIAGRAM

1. SCALER

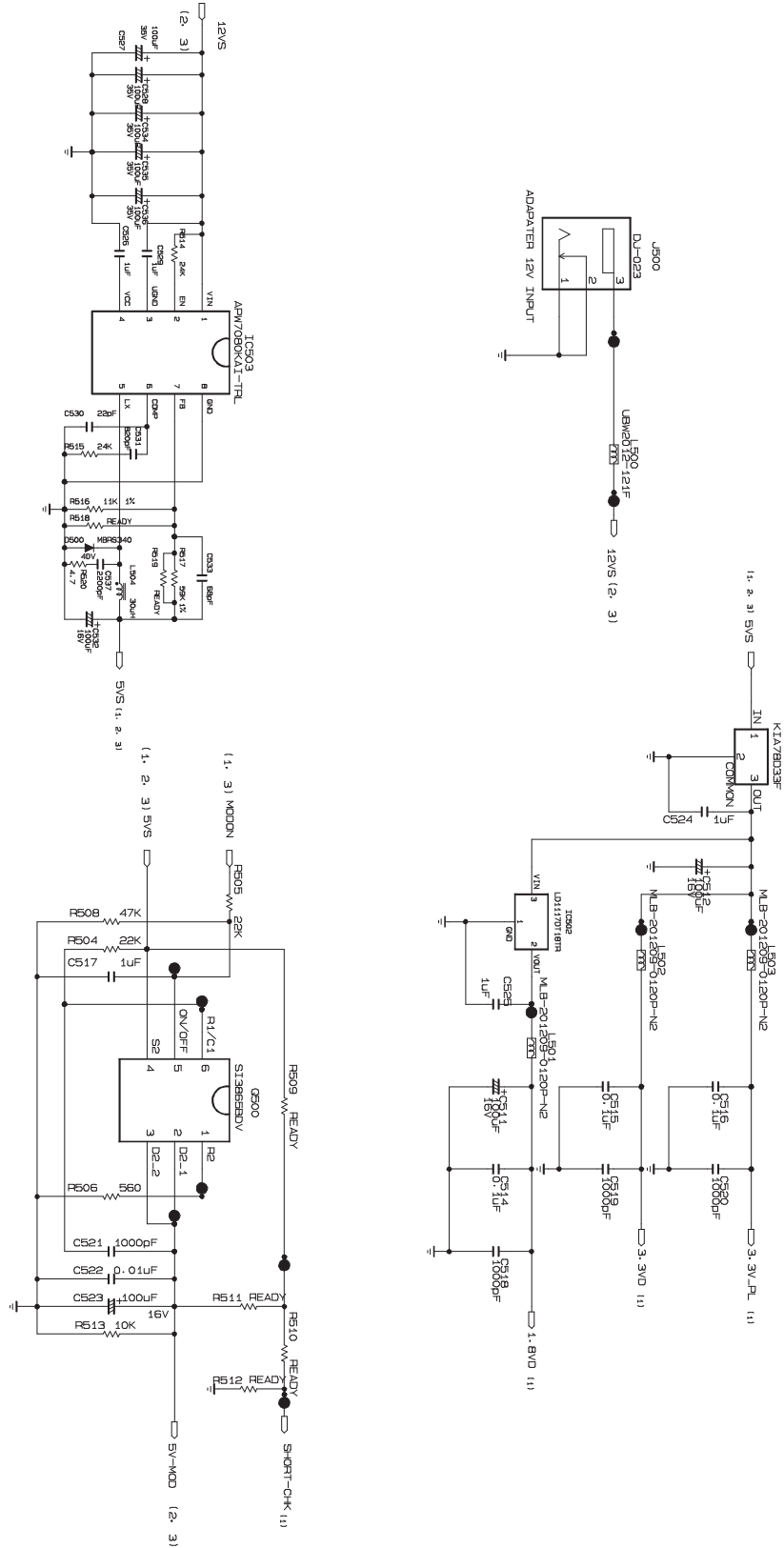
1 SCALER
1 W2284



THE Δ SYMBOL MARK OF THIS SCHEMATIC DIAGRAM INCORPORATES SPECIAL FEATURES IMPORTANT FOR PROTECTION FROM X-RADIATION. FILE AND ELECTRICAL SHOCK HAZARDS. WHEN SERVICING IT IS ESSENTIAL THAT ONLY MANUFACTURER SPECIFIED PARTS BE USED FOR THE CRITICAL COMPONENTS IN THE Δ SYMBOL MARK OF THE SCHEMATIC.

3. DC-DC & POWER

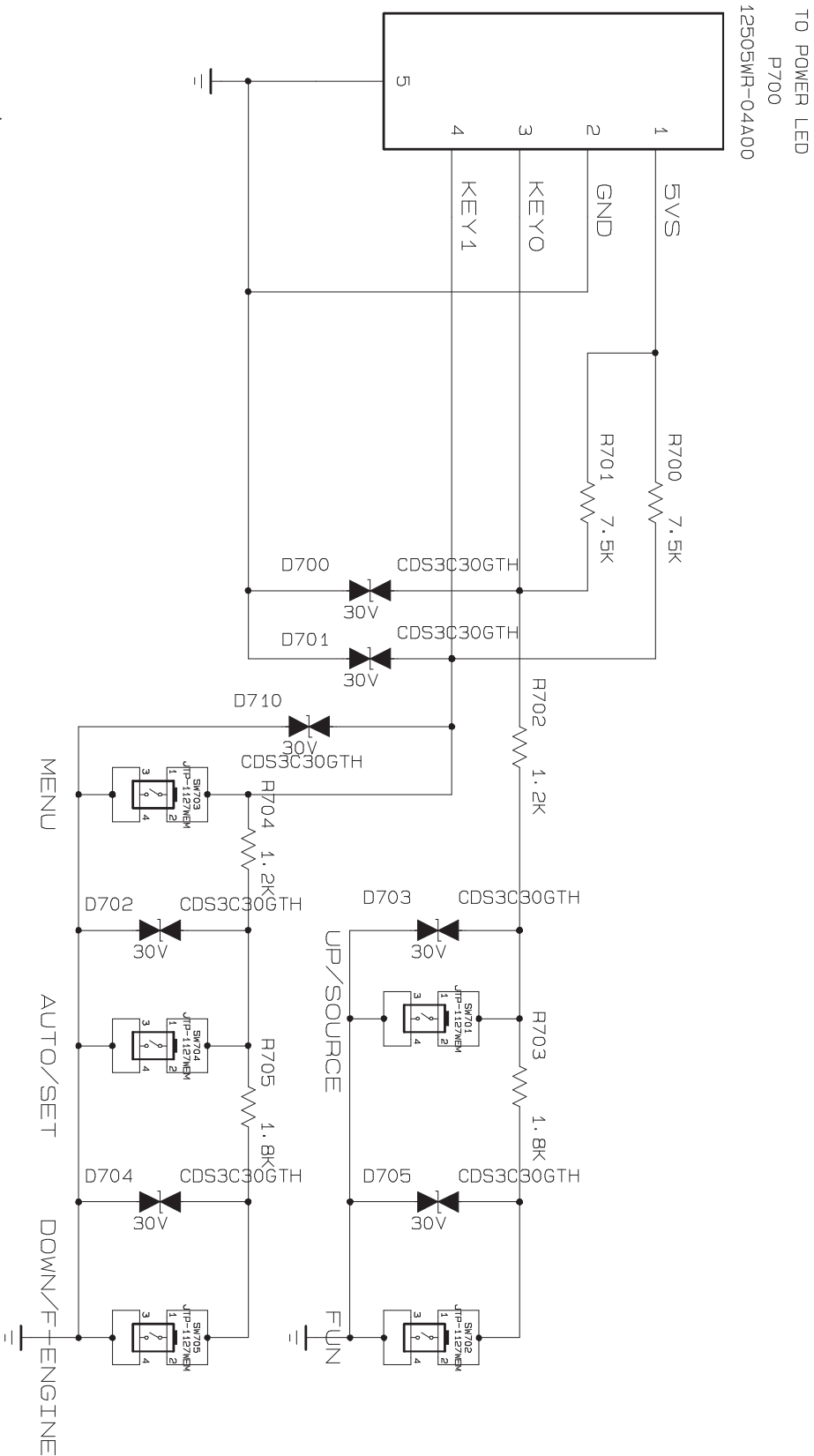
3 W2284 DC-DC & POWER



THE Δ SYMBOL MARK OF THIS SCHEMATIC DIAGRAM INCORPORATES SPECIAL FEATURES IMPORTANT FOR PROTECTION FROM X-RADIATION, FLUORESCENCE AND ELECTRICAL SHOCK HAZARDS. WHEN SERVICING, IT IS ESSENTIAL THAT ONLY MANUFACTURERS SPECIFIED PARTS BE USED FOR THE CRITICAL COMPONENTS IN THE Δ SYMBOL MARK OF THE SCHEMATIC.

4. CONTROL

W2284 CONTROL KEY



THE  SYMBOL MARK OF THIS SCHEMATIC DIAGRAM INCORPORATES SPECIAL FEATURES IMPORTANT FOR PROTECTION FROM X-RADIATION, FIRE AND ELECTRICAL SHOCK HAZARDS. WHEN SERVICING, IT IS ESSENTIAL THAT ONLY MANUFACTURERS SPECIFIED PARTS BE USED FOR THE CRITICAL COMPONENTS IN THE  SYMBOL MARK OF THE SCHEMATIC.



P/NO : MFL42851401

March. 2008
Printed in China