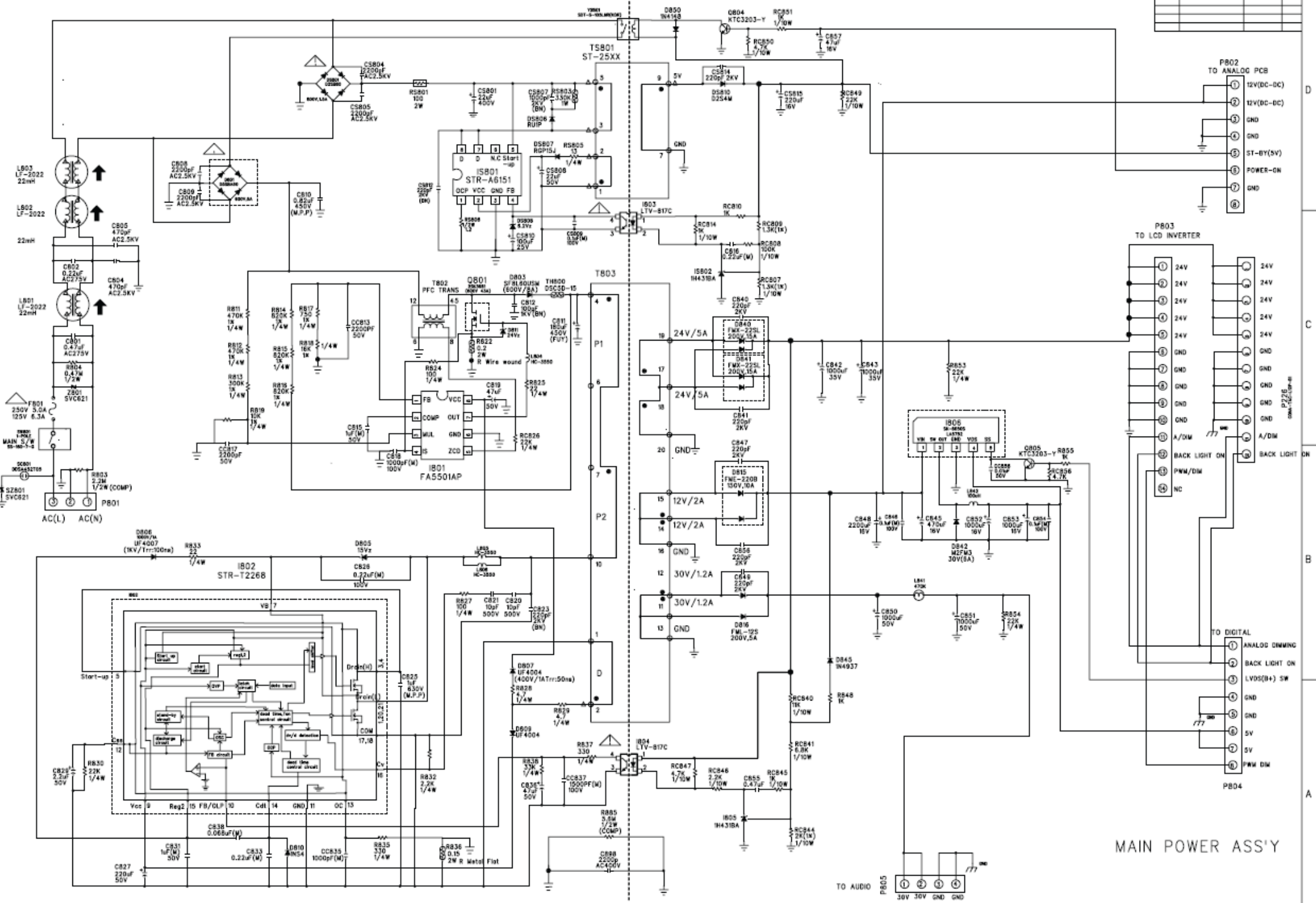


REVISION RECORD			
LV#	ESS NO.	APPROVED	DATE



MAIN POWER ASS'Y