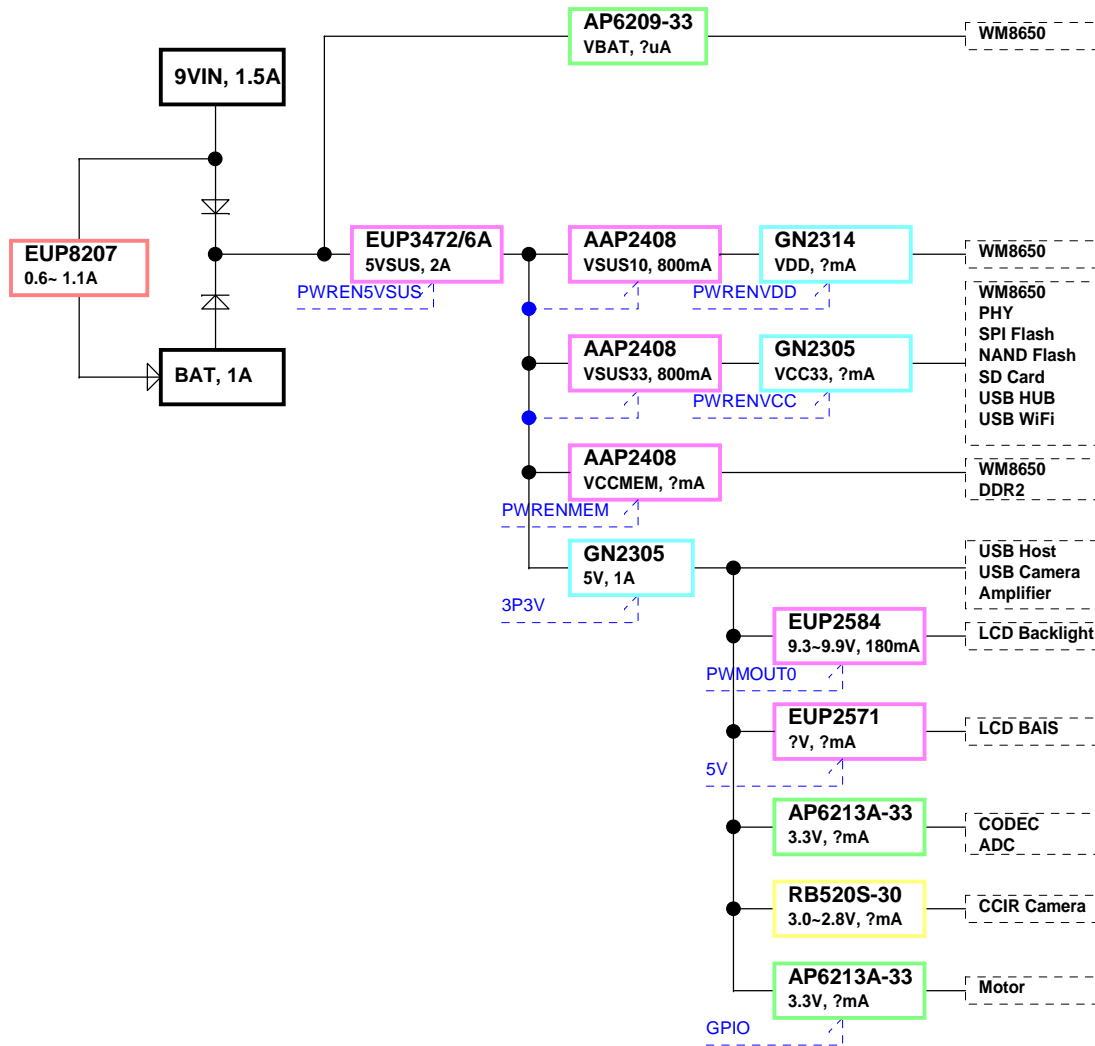
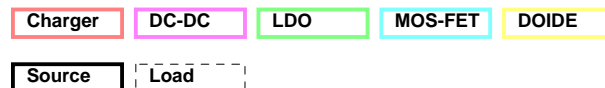


## Power Tree:



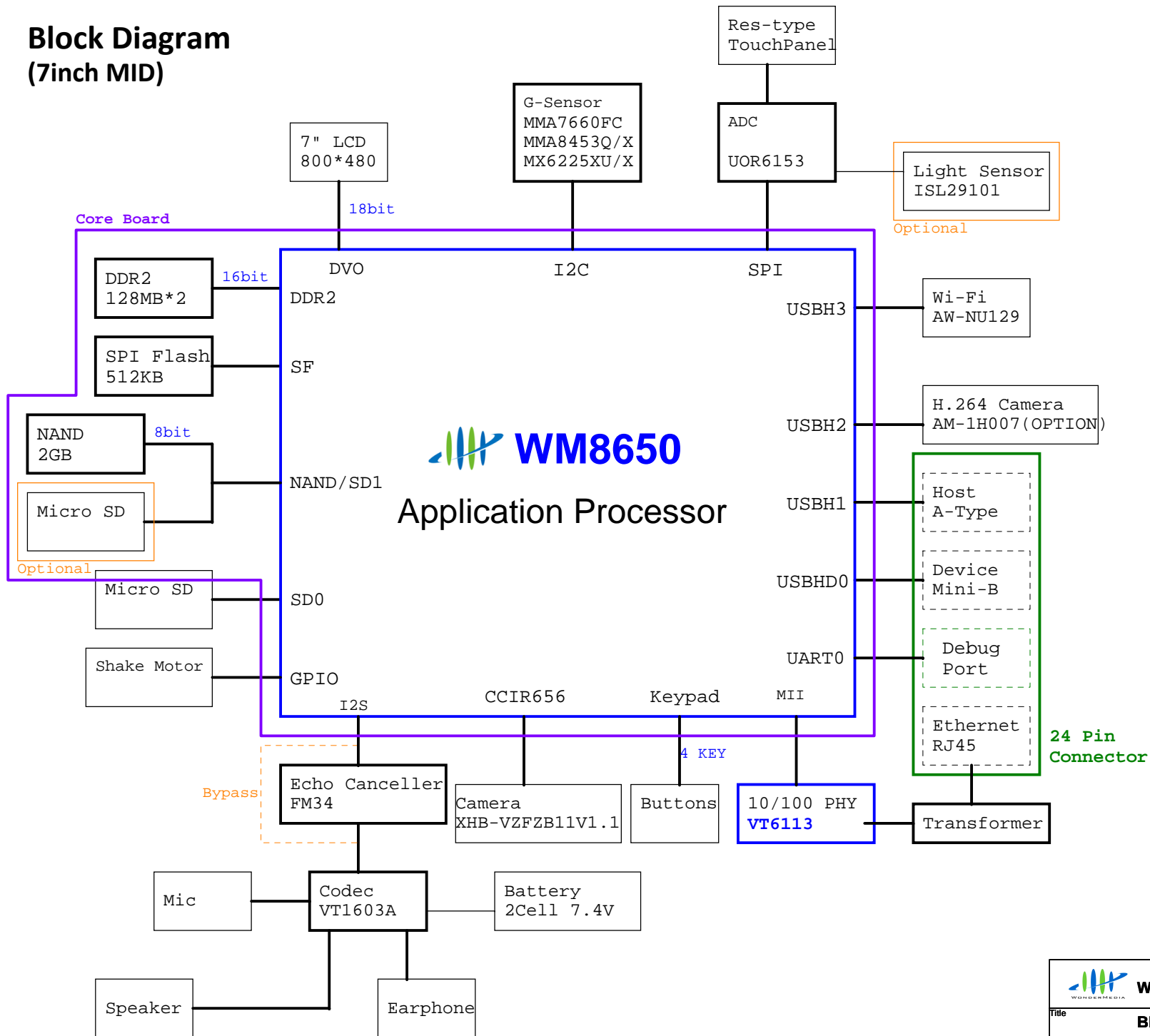
### Illustration:

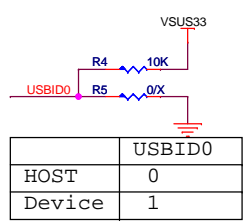
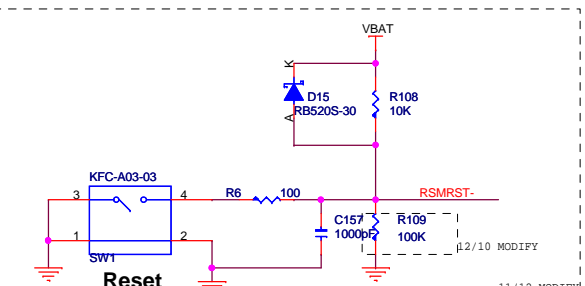
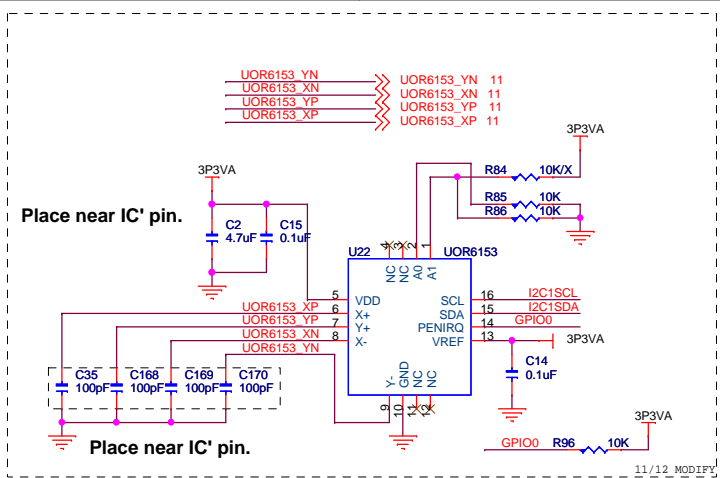
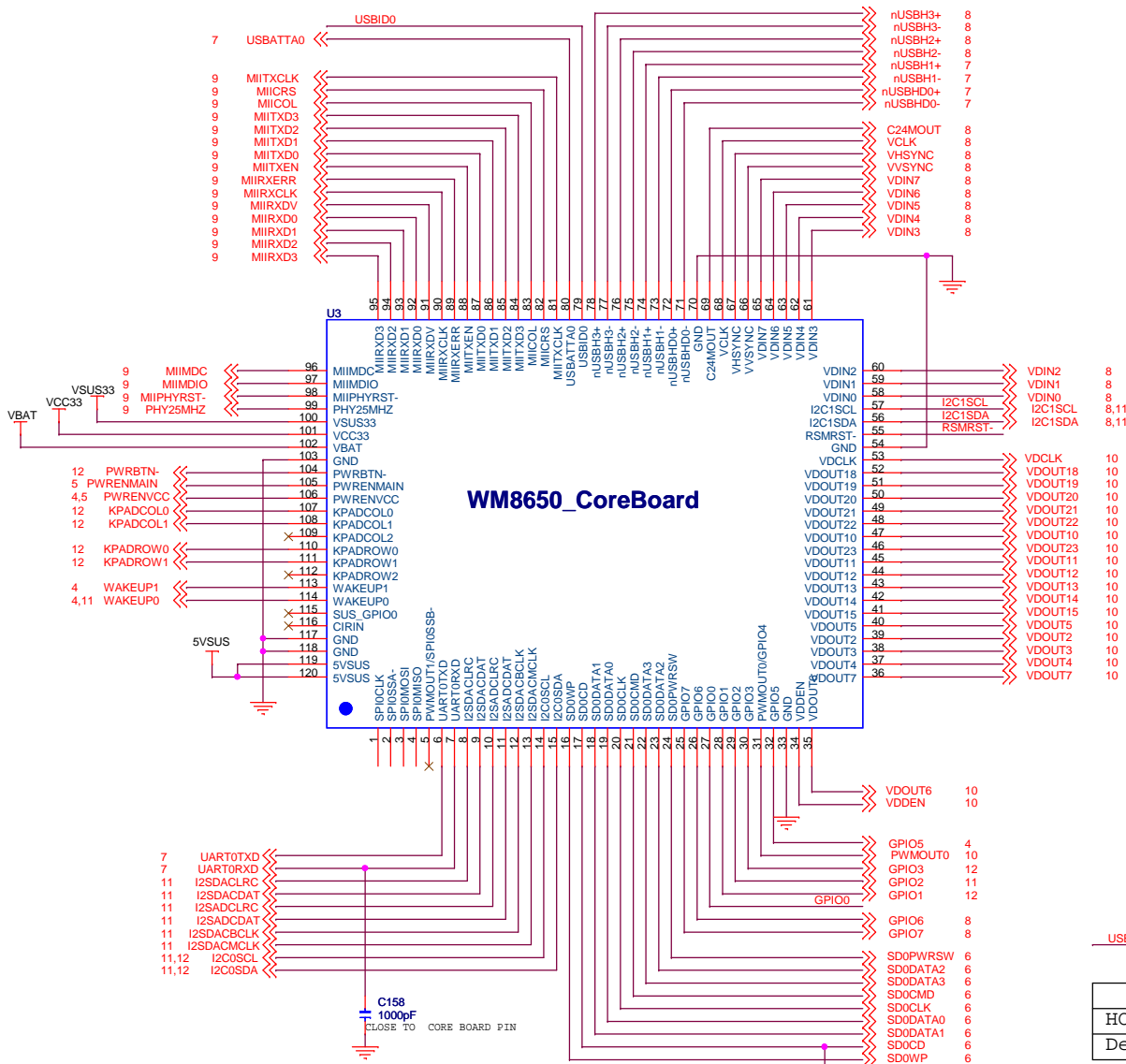


配合模具: 宽格 PC802

TITLE	PAGE
Cover Page	01
Block Diagram	02
Core Board Package	03
DC-IN and Battery	04
Voltage Regulators	05
MicroSD Card	06
30pin CONN	07
USB WiFi/CCIR Camera	08
Ethernet PHY(VT6113)	09
LCD Panel	10
I2S CODEC (VT1603A)	11
G-Sensor & Shake	12
Keypad board	13
Version History	14

# Block Diagram (7inch MID)





**USB PORT 0 Configuration Table**

- WAKEUP0 - BAT\_LOW Detector
- WAKEUP1 - DCIN\_DET
- PWMOUT0 - LCD\_BL\_DIM
- PWMOUT1 - SPIOSSB-
- GPIO0 - TOUCH INT2
- GPIO1 - MOTOR\_SHAKE
- GPIO2 - Touch\_INT1
- GPIO3 - G-Sensor-INT
- GPIO4
- GPIO5 - Charger\_STAT
- GPIO6 - Wifi\_POWER\_DN
- GPIO7 - CAMERA\_POWER\_DN
- SUS\_GPIO0 - MUTE\_GPIO
- I2C0 - G-Sensor / I2S / VDOUT / EC
- I2C1 - VDIN
- SPIO - Touch Pad
- KPADCOL0 - Volume + Key
- KPADCOL1 - Volume - Key
- KPADROW0 - BACK Key
- KPADROW1 - Menu Key

**WonderMedia Technologies, Inc.**

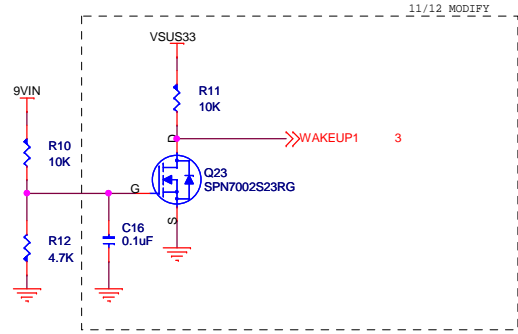
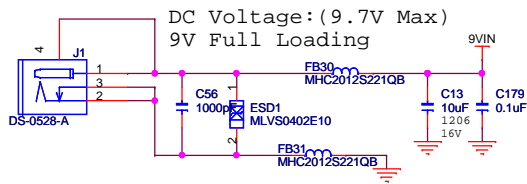
**Title: Core Board Package**

Size: Custom    Document Number: **WMS8125B**    Rev: 1.0

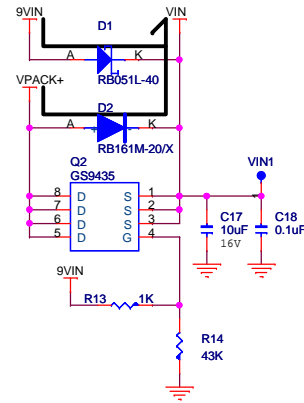
Date: Wednesday, December 15, 2010    Sheet 3 of 14

# DC-IN and Battery

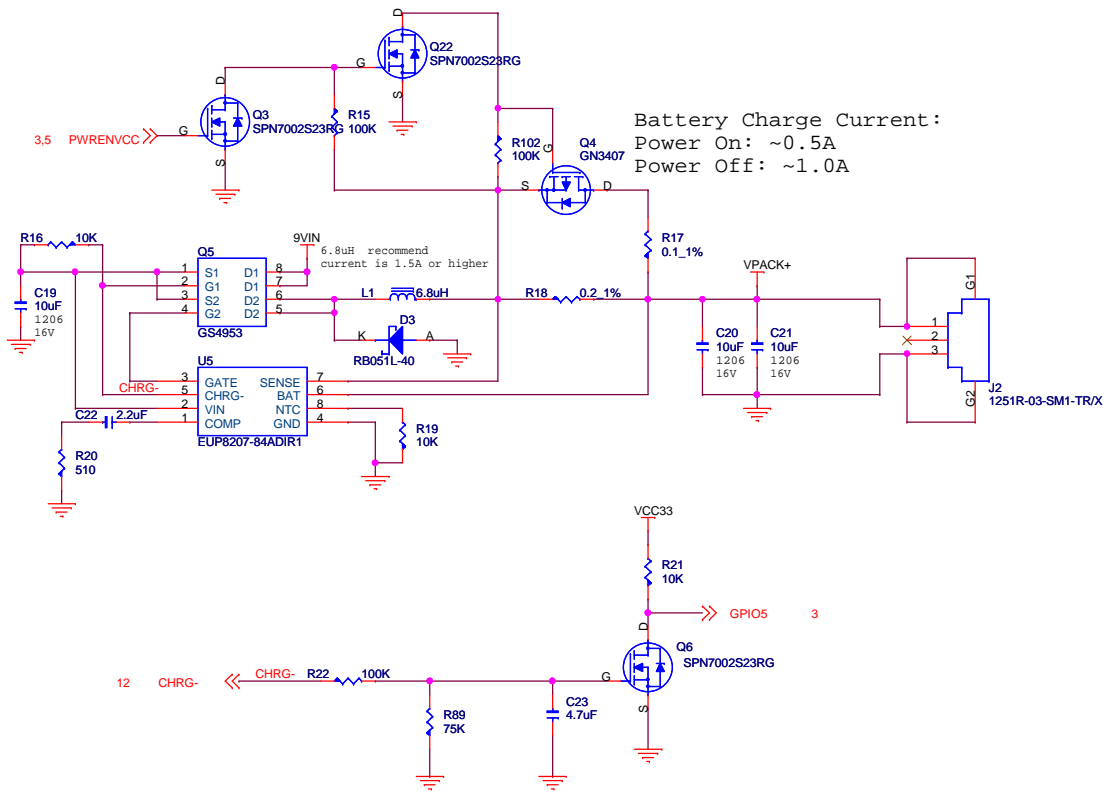
## 9V DC Input 1.5A



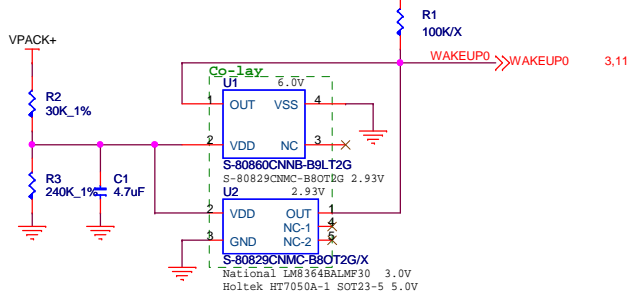
## DC Switch



## Battery charger 2-Cell



## Battery Low Detect:



### Replacement:

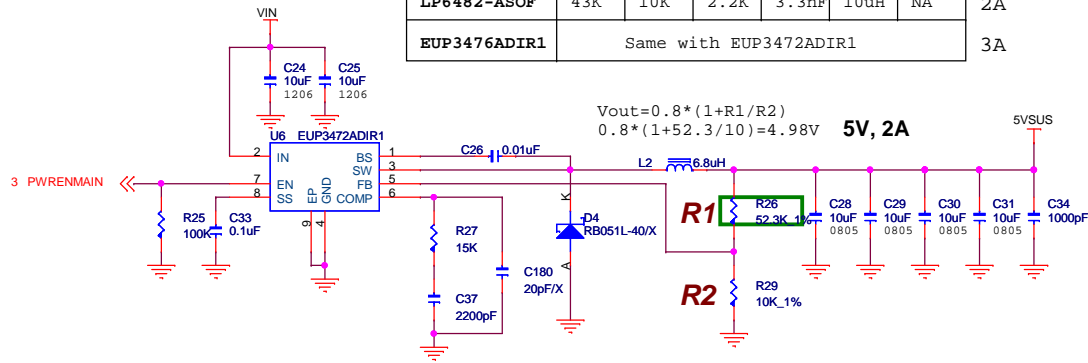
IC	R2	R3	
5.0V	30K	84.5K	6.78V
2.93V	47K	35.7K	6.79V
3.0V	47K	37.4K	6.77V

# Voltage Regulators

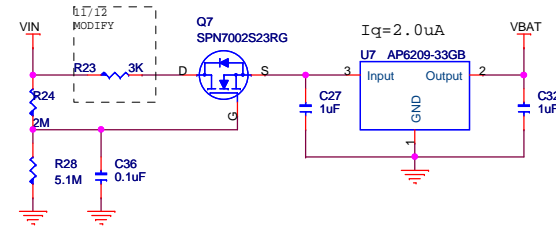
## VIN->5VSUS, 2A

Replacement:

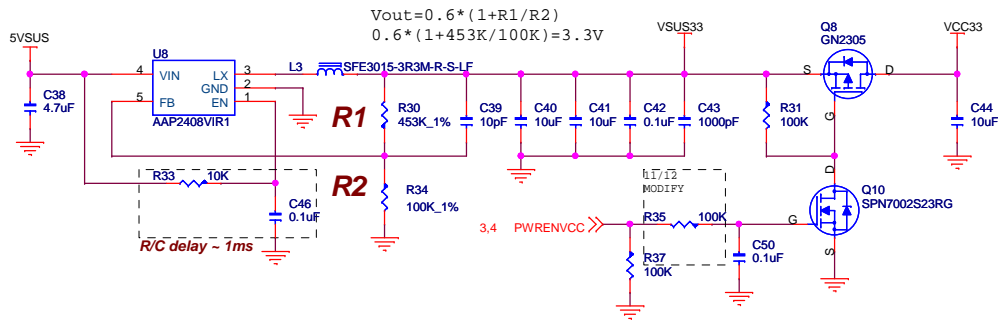
U6	R26	R29	R27	C37	L2	D4	
RT8272GSP	43K	10K	41K	2.2nF	6.8uH	Yes	3A
LP6482-ASOF	43K	10K	2.2K	3.3nF	10uH	NA	2A
EUP3476ADIR1	Same with EUP3472ADIR1						3A



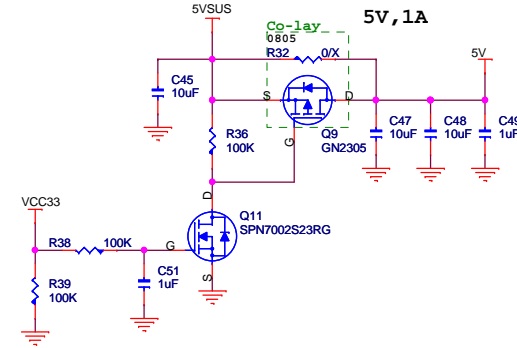
## VIN->VCCBAT 3.3V 10uA



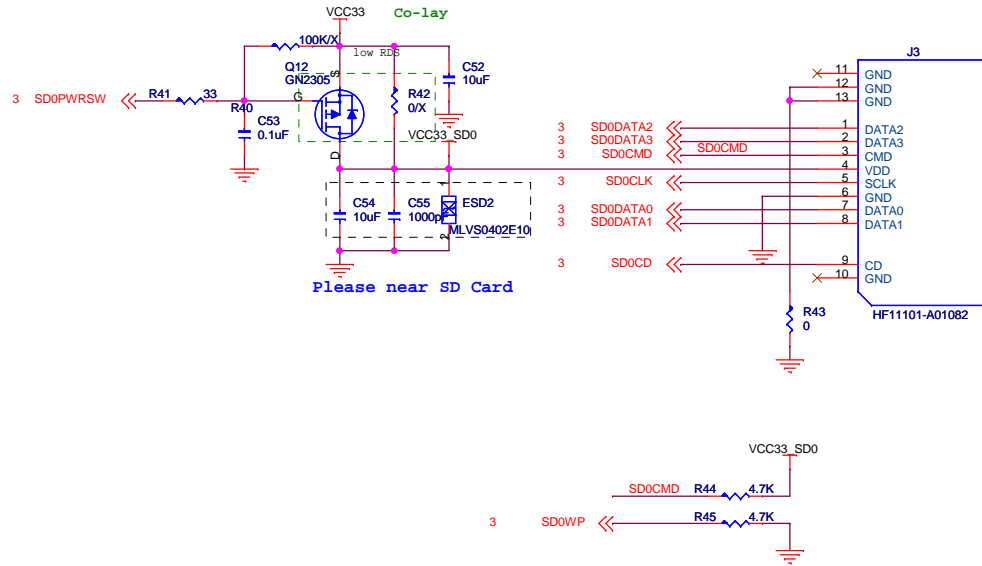
## 5VSUS->3.3V 800mA



## 5VSUS->5V, 1A

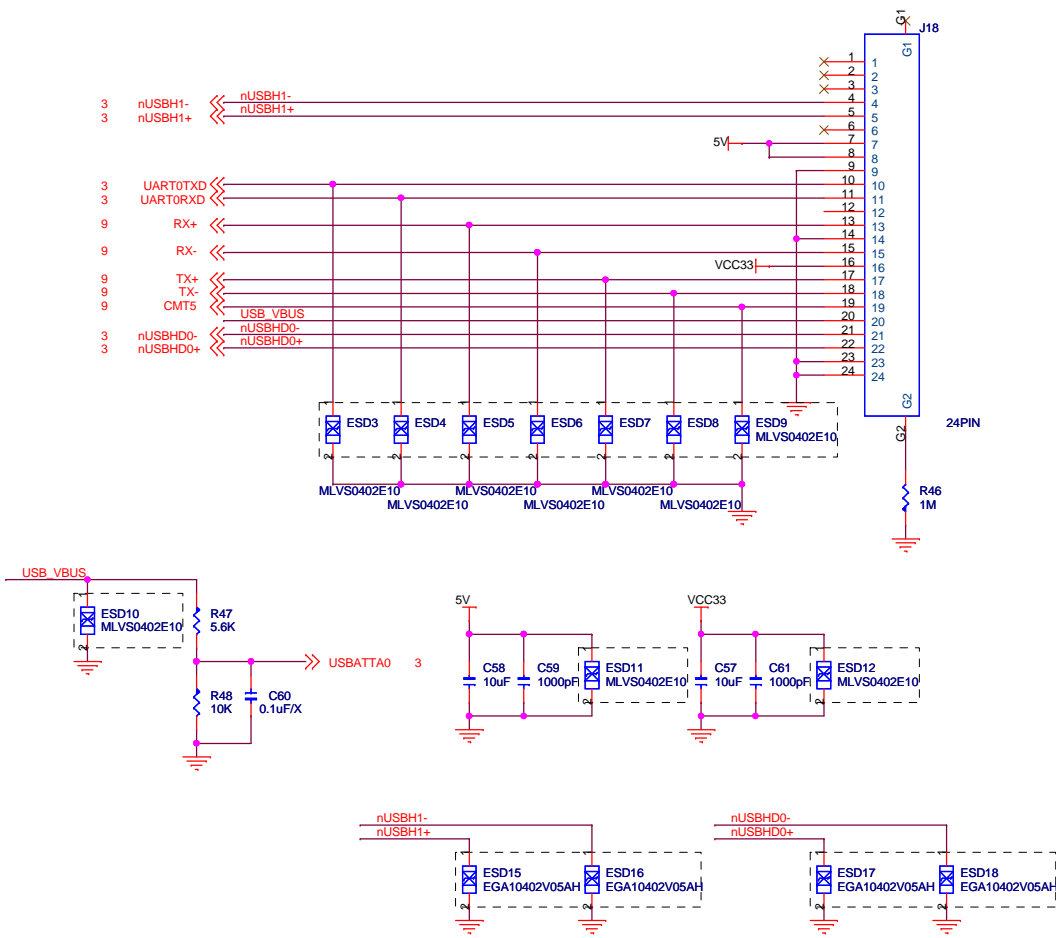


## MicroSD Socket




<b>WonderMedia Technologies, Inc.</b>		
<b>Title</b>		
<b>MicroSD Card</b>		
<b>Size</b>	<b>Document Number</b>	<b>Rev</b>
Custom	<b>WMS8125B</b>	1.0
<b>Date:</b> Tuesday, December 14, 2010		
Sheet 6 of 14		

# 30pin CONN

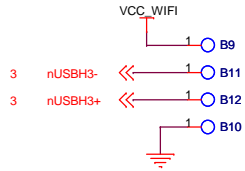
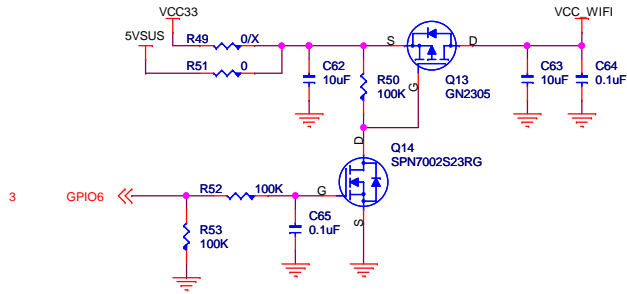


Notice: All ESD components place near 24pin connector.

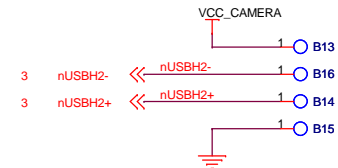
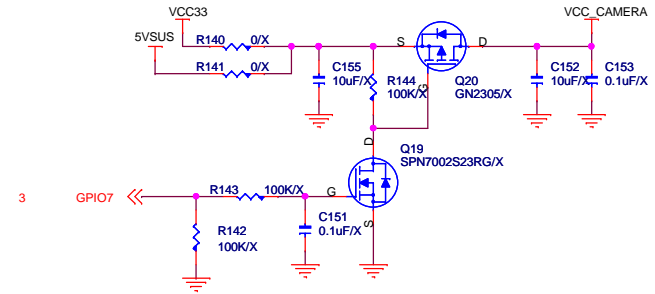
 <b>WonderMedia Technologies, Inc.</b>		
Title		
<b>30pin CONN</b>		
Size	Document Number	Rev
Custom	<b>WMS8125B</b>	1.0
Date:	Tuesday, December 14, 2010	Sheet 7 of 14

# USB WiFi/CCIR Camera

## USB WiFi

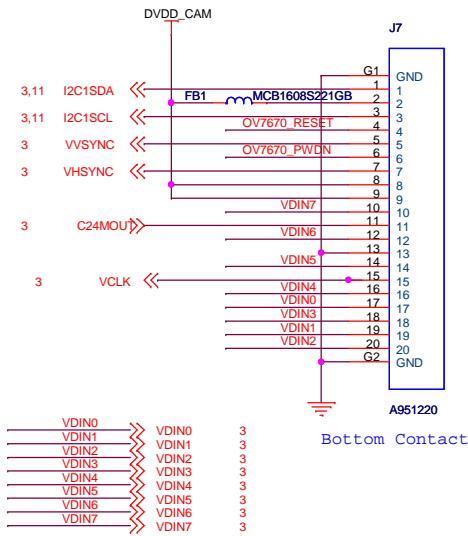
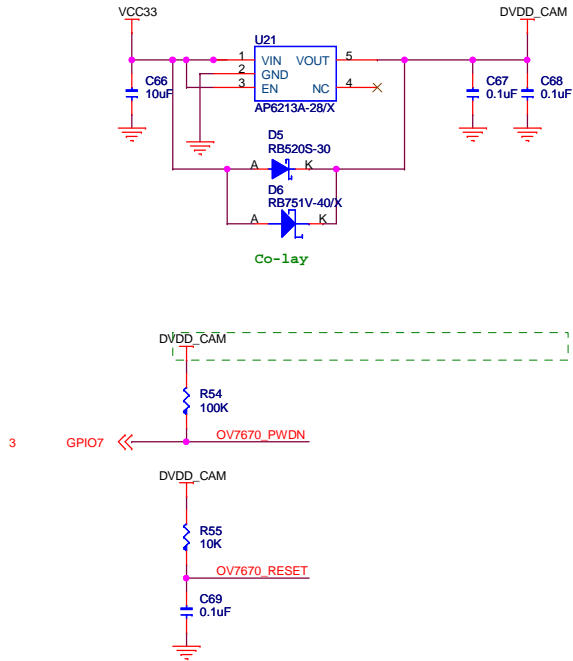


## USB CAMERA



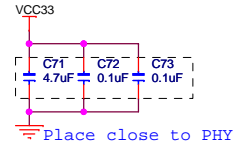
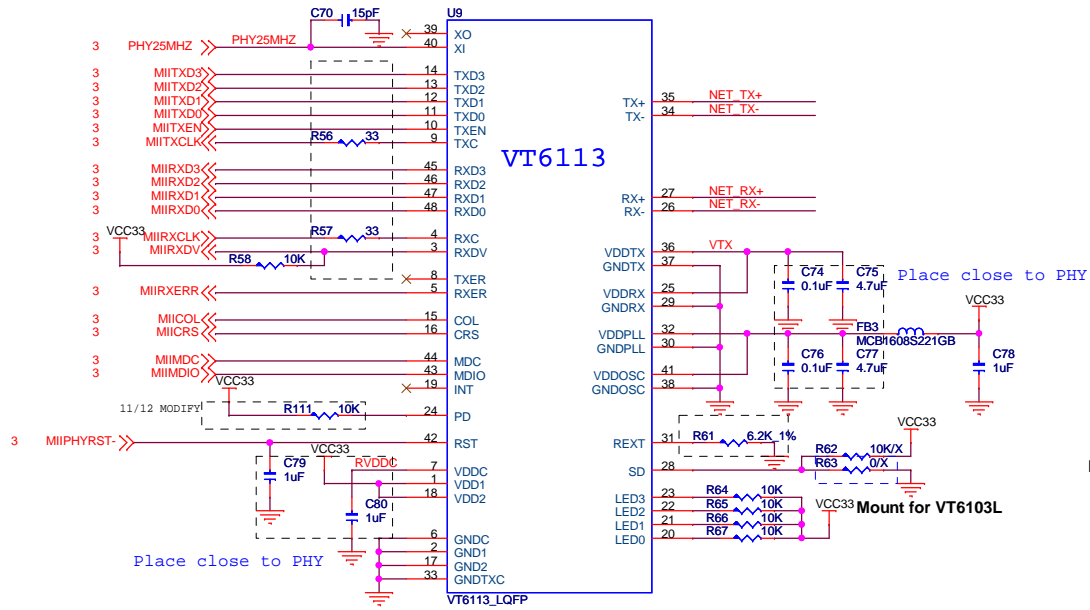
H.264 USB camera for skype  
DEFAULT IS CCIR656 Camera

## CCIR656 Camera

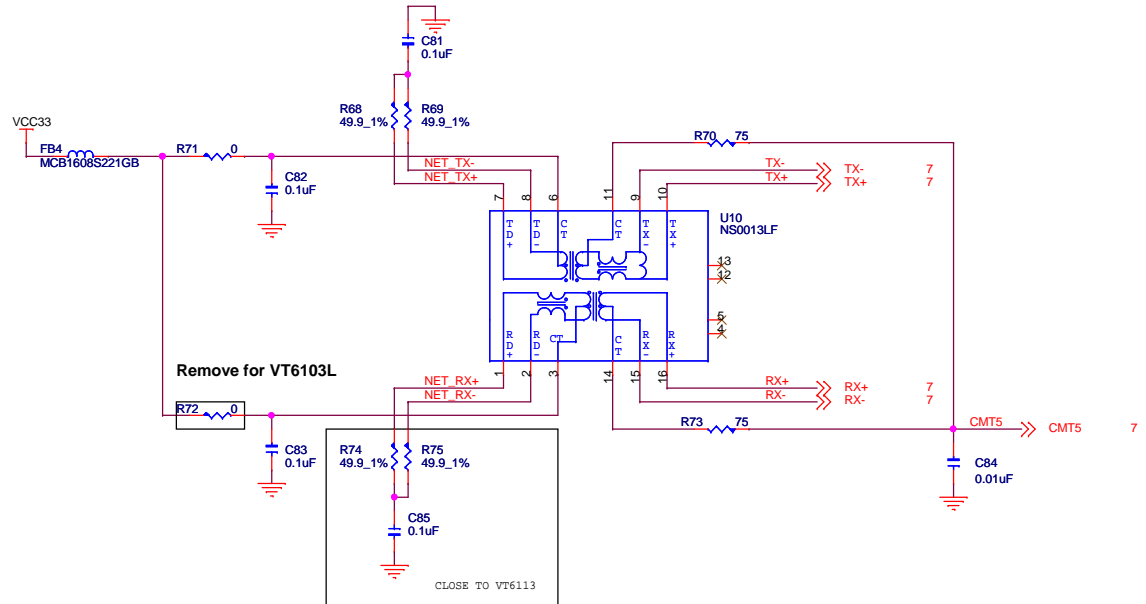




# Ethernet PHY

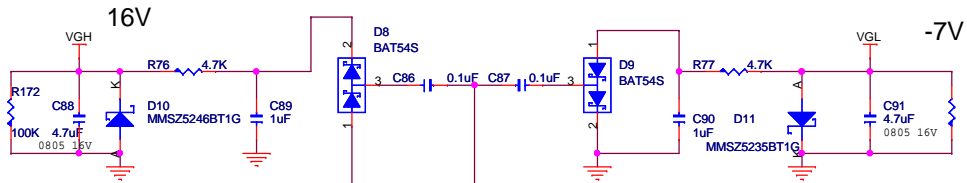


	R61	R59	R63	R62	R72
Default	VT6113	6.2K	Remove	Remove	Mount
	VT6103X	6.49K	Mount	Mount	Mount
	VT6103L	6.49K	Mount	Remove	Remove



# LCD Panel

Bottom Contact  
Place TOP Layer

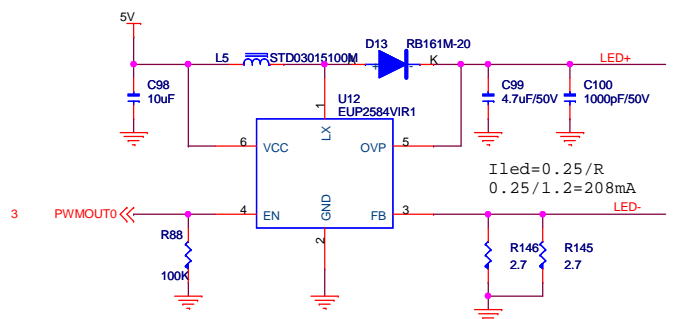
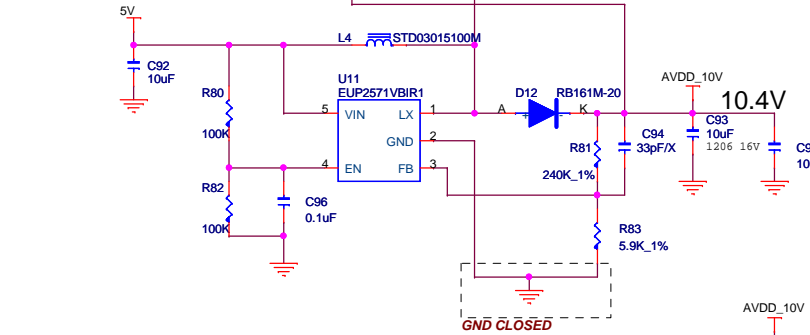


$$V_{out} = 0.25 * (1 + R1/R2)$$

$$0.25 * (1 + 240/5.9) = 10.42V$$

### Replacement:

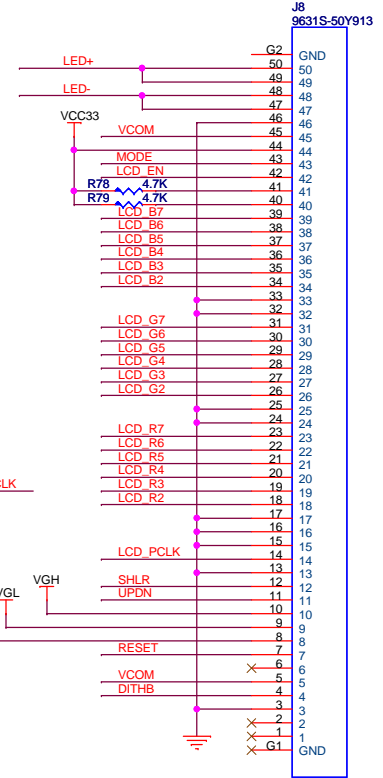
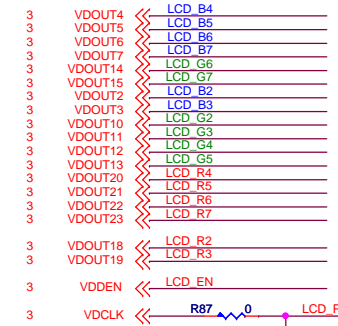
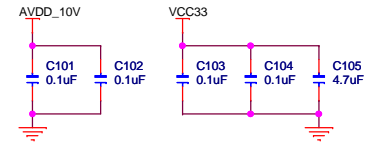
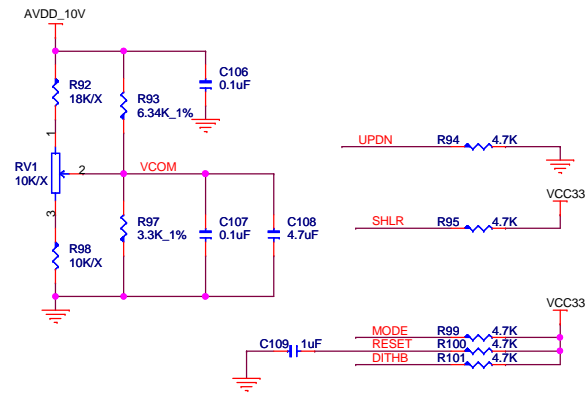
U11	R81	R83
KN8805B	390K	52.3K



innoulux AT070TN92 180mA

### Replacement:

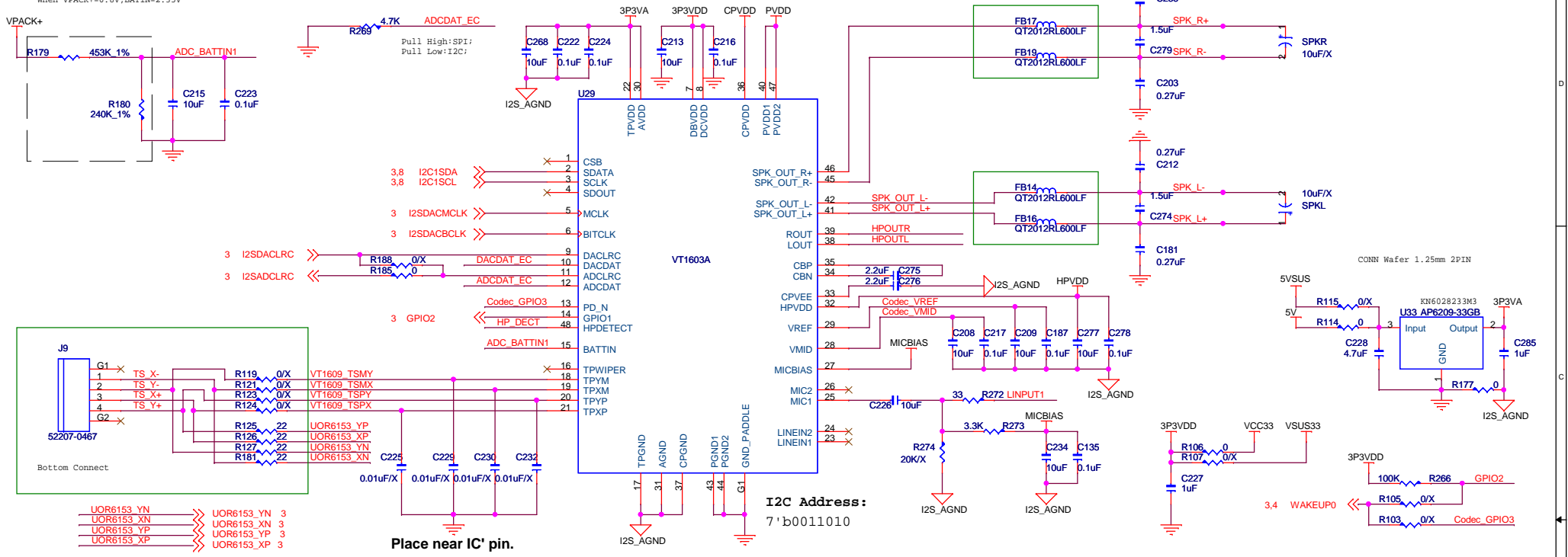
U12	R146	R145
AME5142ABEY	1.6	1.6
RT9293B-20GJ6		



# I2S CODEC

VT1603A Mount R22,R9 0R:Umount R23,R18,R25  
 VT1609A Mount R23,R18,R25 0R:Umount R22,R9

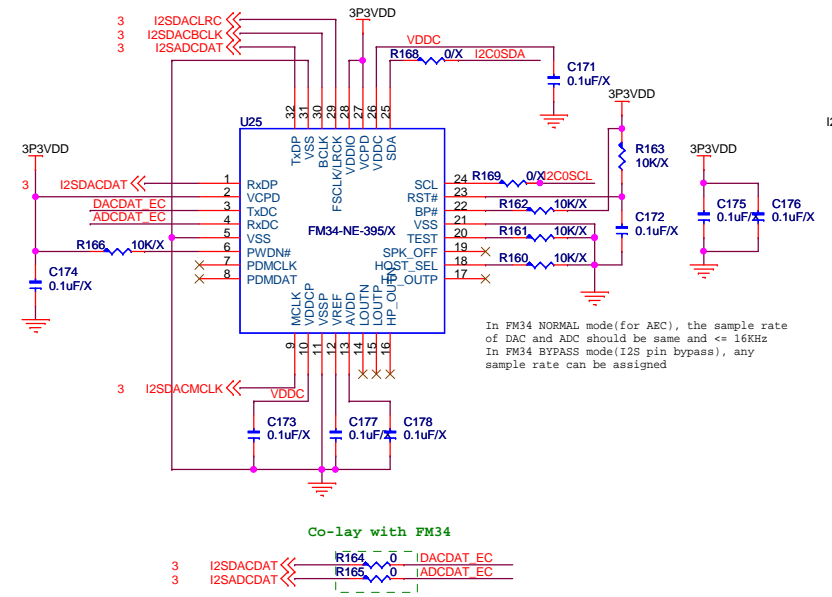
BATIN=R101/(R101+R99)\*VPACK+  
 When VPACK+=8.4V,BATIN=2.91V  
 When VPACK+=7.4V,BATIN=2.56V  
 When VPACK+=6.8V,BATIN=2.35V



Place near IC' pin.

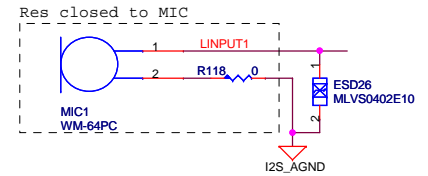
I2C Address:  
7'b0011010

I2C0SDA I2C0SCL 3,12  
 I2C0SCL I2C0SCL 3,12

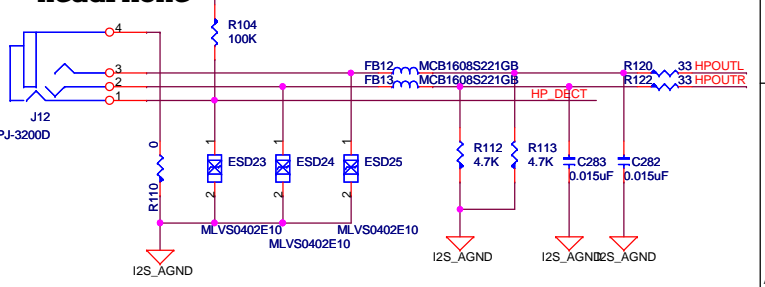


Co-lay with FM34

## Onboard MIC



## HeadPhone



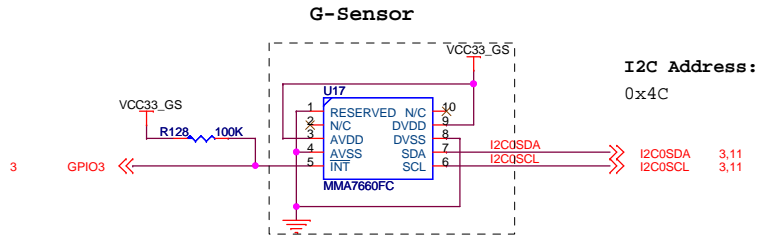
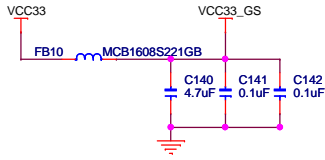
**WonderMedia Technologies, Inc.**

Title: **AC97 CODEC**

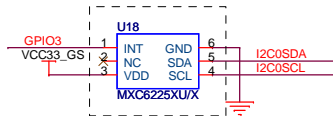
Size: Custom Document Number: **WMS8125B** Rev: 1.0

Date: Wednesday, December 15, 2010 Sheet 11 of 14

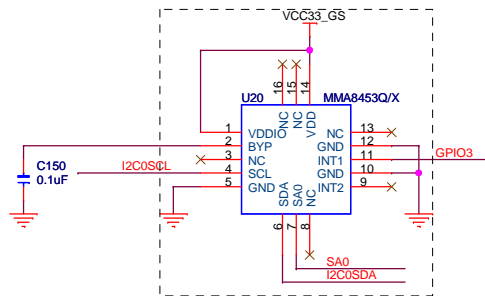
# G-Sensor & Shake



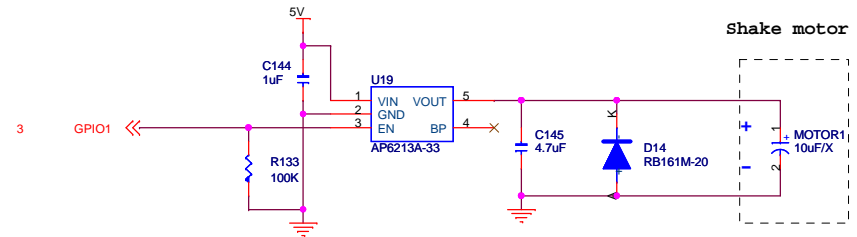
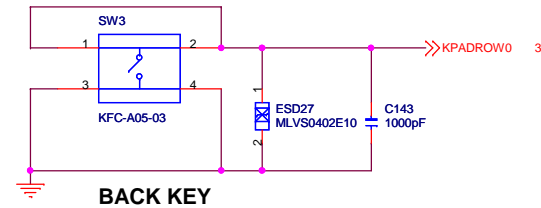
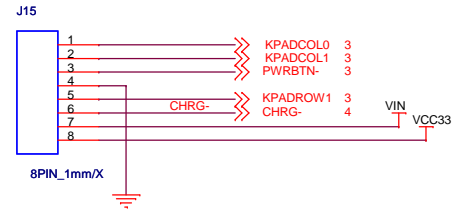
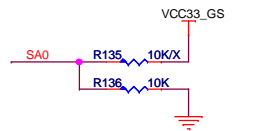
摆放时务必注意G-Sensodr在背对屏幕那面，第一PIN朝屏幕左上角



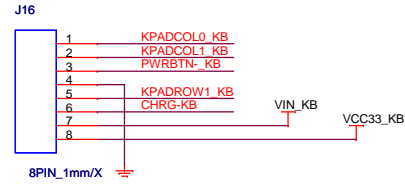
摆放时务必注意G-Sensodr在背对屏幕那面，第一PIN朝屏幕左上角



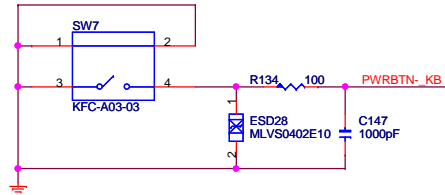
摆放时务必注意G-Sensodr在背对屏幕那面，第一PIN朝屏幕左上角



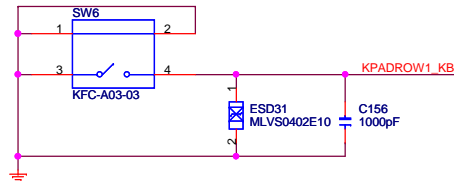
# Keypad board



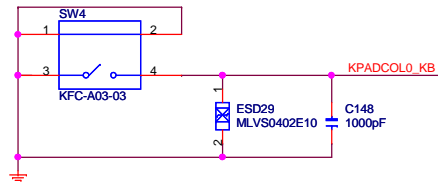
## Power Button



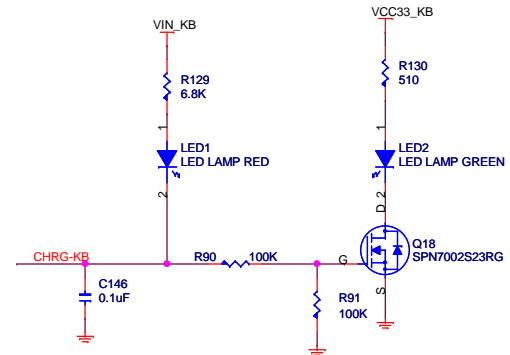
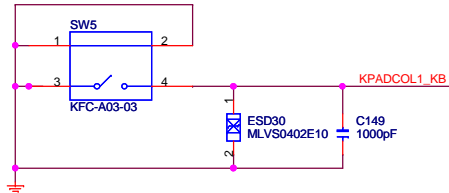
## MENU




## Volume +



## Volume -

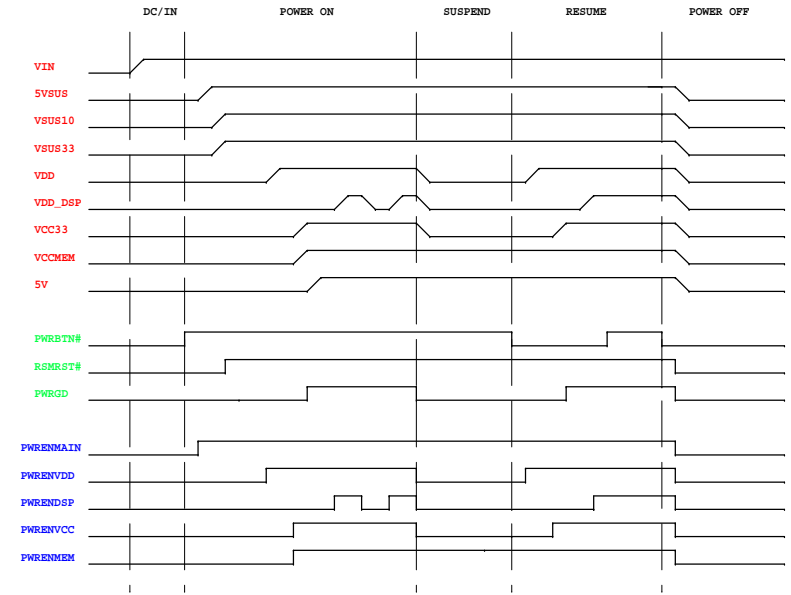



 <b>WonderMedia Technologies, Inc.</b>		
Title		
<b>Keypad Board</b>		
Size	Document Number	Rev
Custom	<b>WMS8125B</b>	1.0
Date:	Wednesday, December 15, 2010	Sheet 13 of 14

# Version History

Version	PAGE	Modify Content	Responsibility	Date
WMS8125A		Initial released.	Xindi Chen	2010/9/21
WMS8125A1		3 1: U24 DUAL POINT TOUCH IC change to U0R6153(U22); 3 2: CS7146 PIN 13 REF VOLTAGE CHANGE TO 3.3V, 3 3: ADD RSMRST RESET SWITCH : SW1 4 4: ADD Q23, ISOLATE 9VIN and wakup1, reduce the leakage current 5 5: R23 change to 1.5k, CORRECT VBAT value 5 6: R35 change to 75k, CORRECT PWRENMAIN SIGNAL QUALITY 9 7: ADD R111,PULL UP V16113 PD PIN , 118: CHANGE MUTE CIRCUIT,	Xindi Chen	2010/11/12
WMS8125A2		3 1: ADD C158 IN UARTORXD , FOR COUPLED ISSUE 3 2: R8 100K CHANGE TO OHM ,CS7146 INT(GPIO2) Change to GPIO0	Xindi Chen	
WMS8125A3		3 1: ADD R109 100K FOR RSMRST- BOOT STATUS 4 2: NC R1 100K,internal pull high 3 3:R96 100K CHANGE TO 10K 5 4:R35 75K CHANGE TO 100K 3 5:NC C6 C7 C8 C12 3 6:NC Light sensor U23,R139 4 7:NC R1 100K 8 8:NC USB CAMERA circuit NC C155 C152 C153 C151 R143 R144 Q19 ,Q20 3 1: DEL J146 AND LIGHT SENSOR CIRCUIT 111: CHANGE WMS900 TO V11603A	Xindi Chen	2010/12/10
WMS8125B				

## Power Sequence:




**WonderMedia Technologies, Inc.**

**Title** Version History

**Size** Custom    **Document Number** WMS8125B    **Rev** 1.0

**Date:** Tuesday, December 14, 2010    **Sheet** 14 of 14