

VESTEL ELECTRONICS
TV R&D GROUP

11AK53-1 SMPS

SMPS WITH ONSEMI 44608 AND
PASSIVE PFC ---DOC---

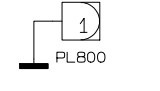
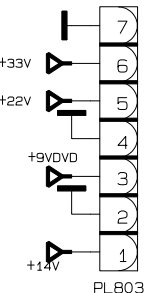
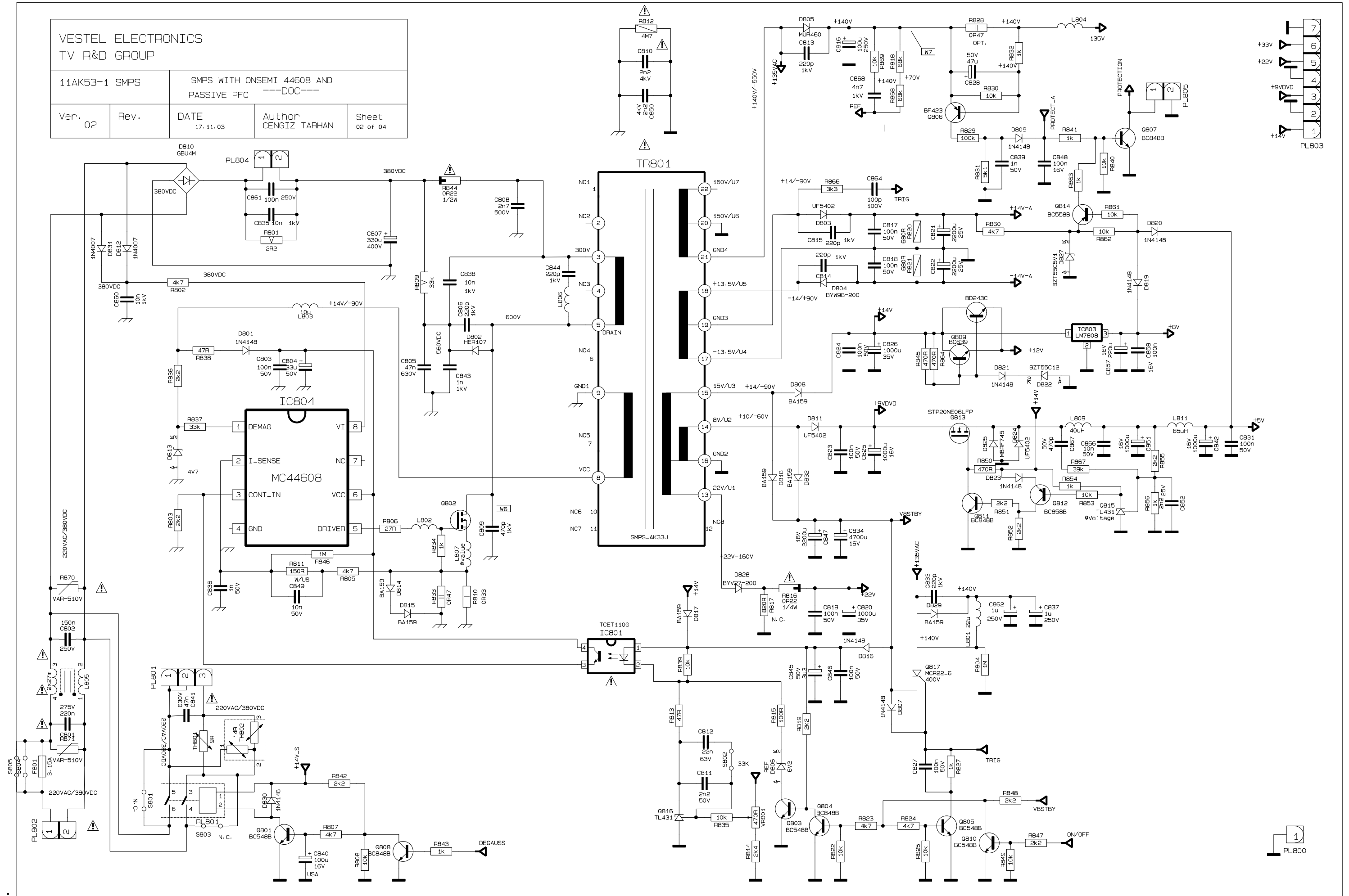
Ver. 02

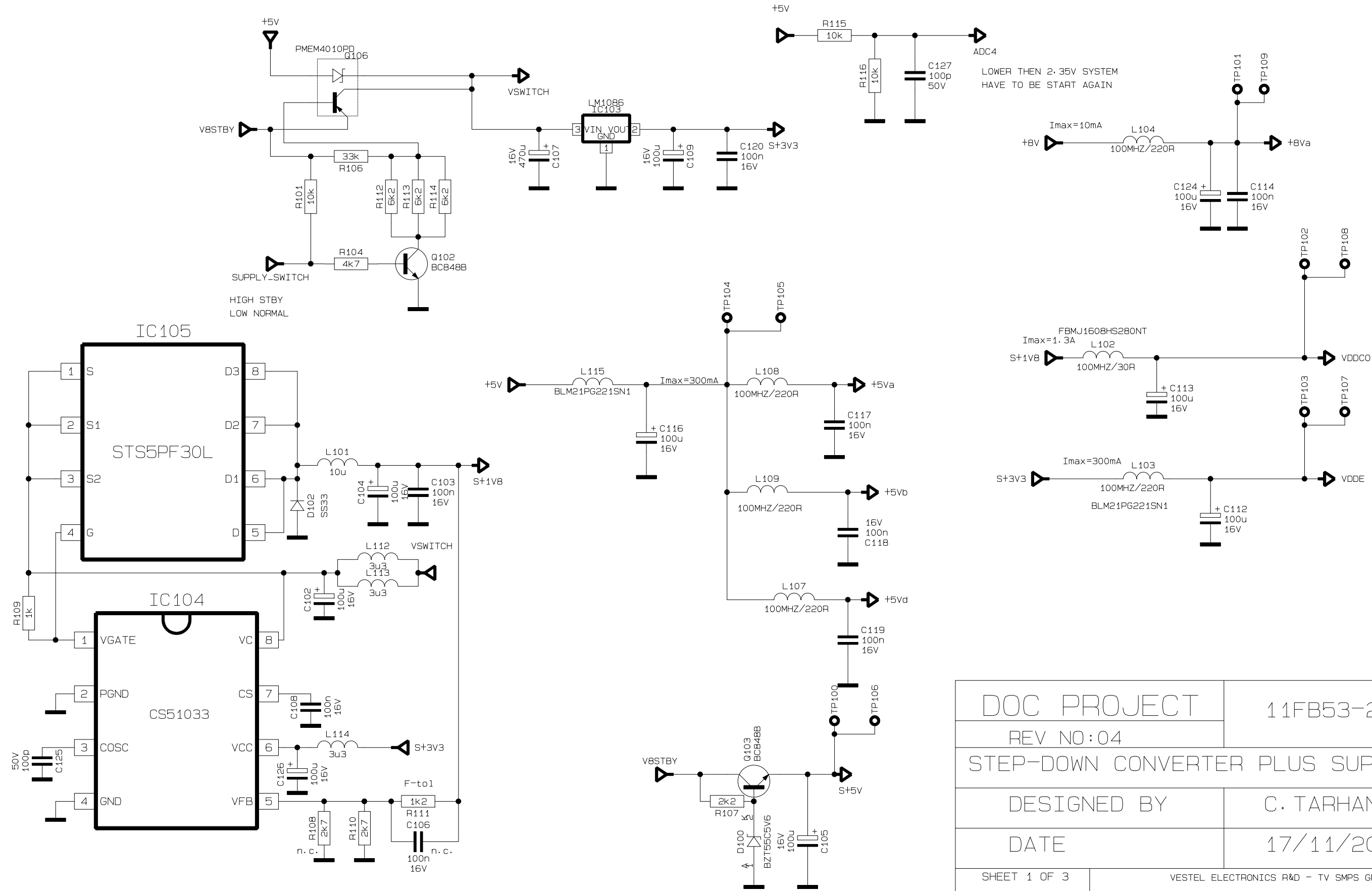
Rev.

DATE
17.11.03

Author
CENGİZ TARHAN

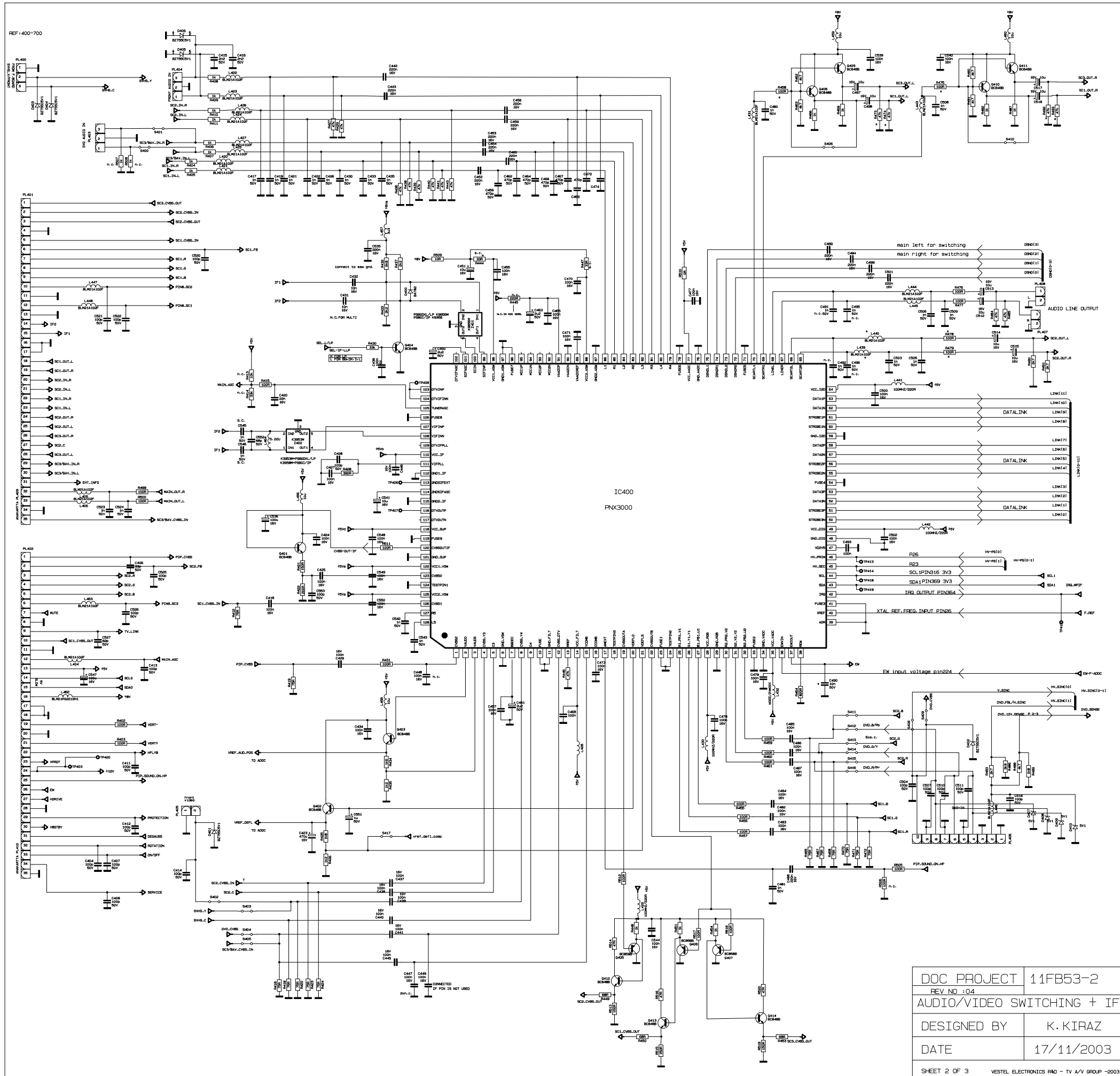
Sheet
02 of 04





LOWER THEN 2.35V SYSTEM
HAVE TO BE START AGAIN

DOC PROJECT	11FB53-2
REV NO:04	
STEP-DOWN CONVERTER PLUS SUPPLY	
DESIGNED BY	C. TARHAN
DATE	17/11/2003
SHEET 1 OF 3	VESTEL ELECTRONICS R&D - TV SMPS GROUP -2003



DOC PROJECT	11FB53-2
REV NO : 04	
AUDIO/VIDEO SWITCHING + IF	
DESIGNED BY	K. KIRAZ
DATE	17/11/2003
SHEET 2 OF 3 VESTEL ELECTRONICS R&D - TV A/V GROUP -2003	

A

B

C

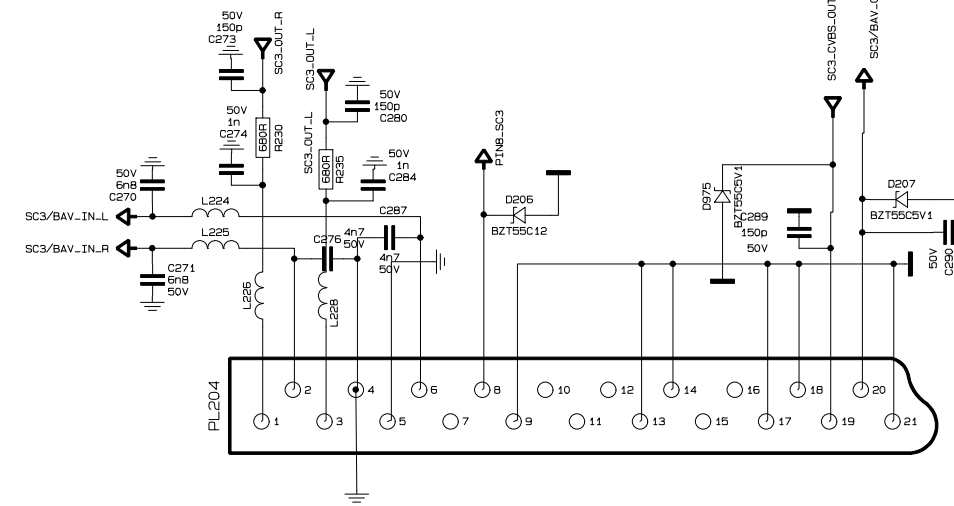
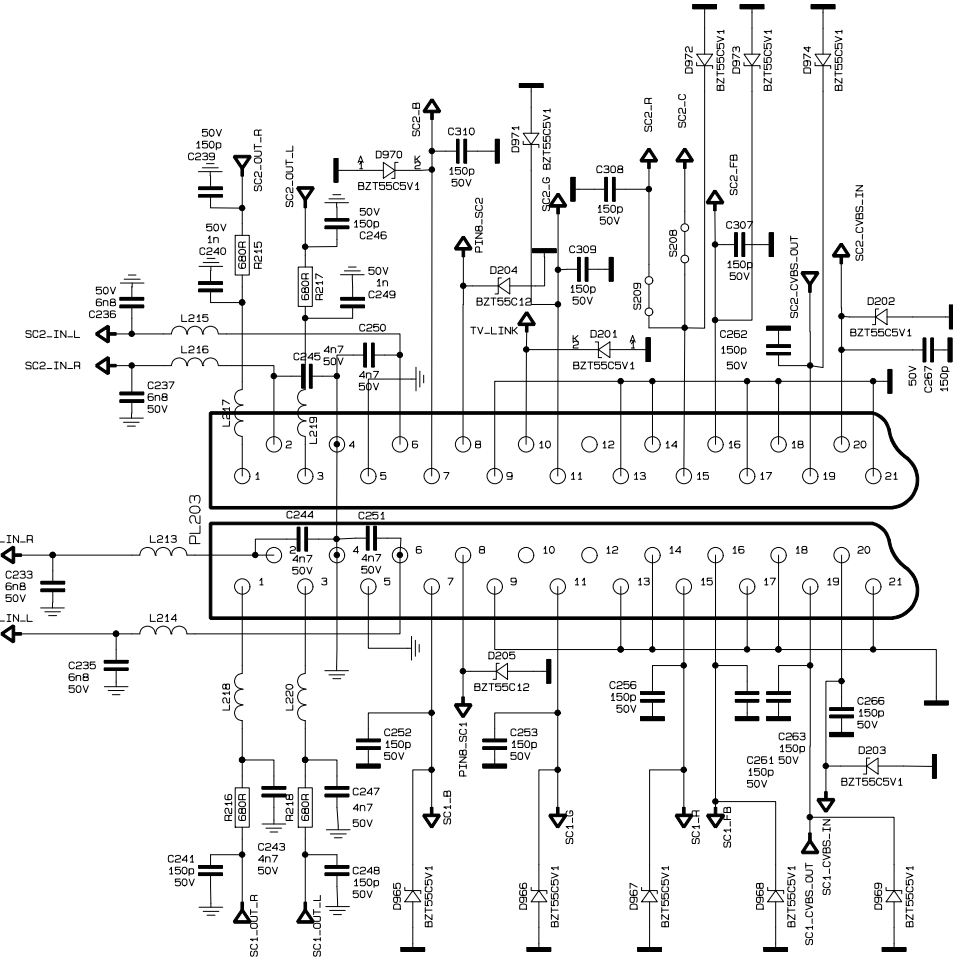
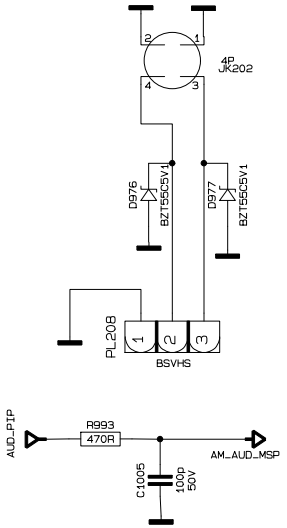
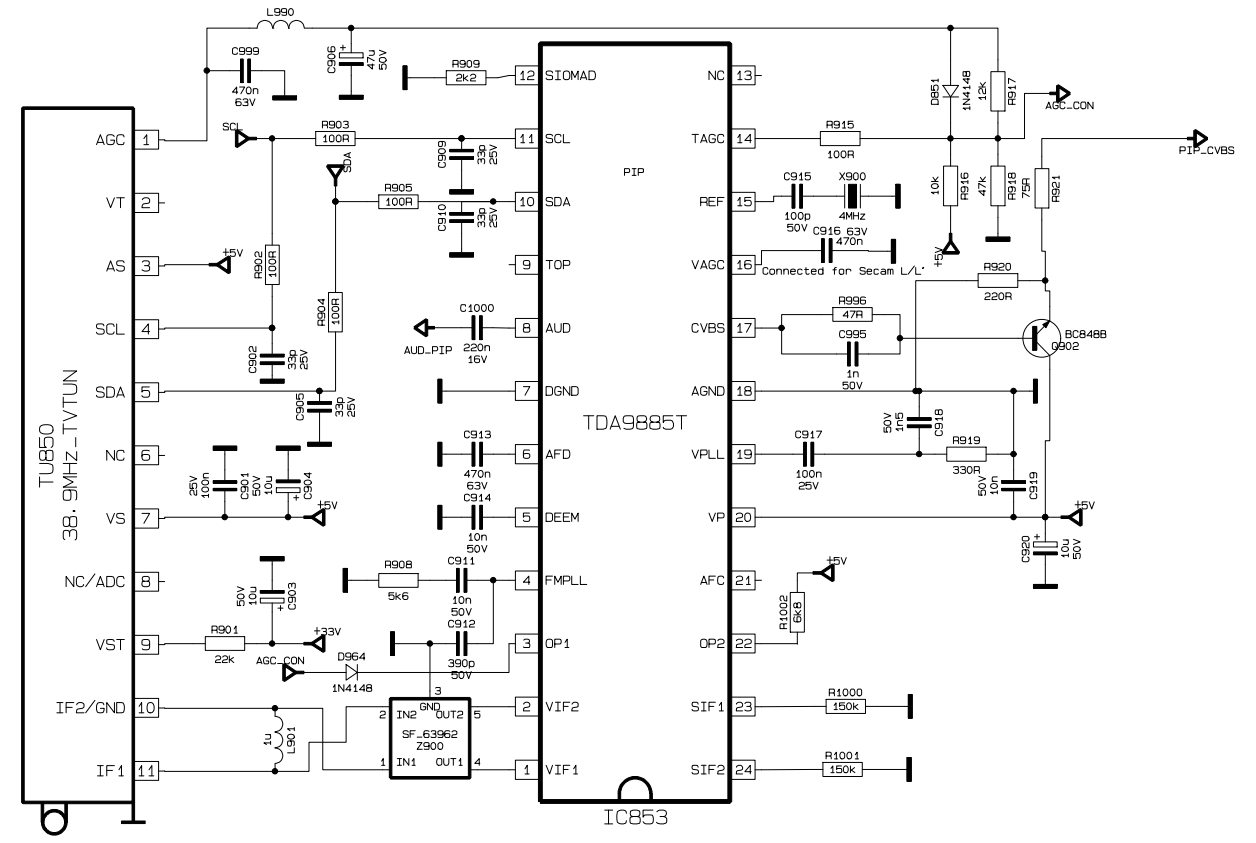
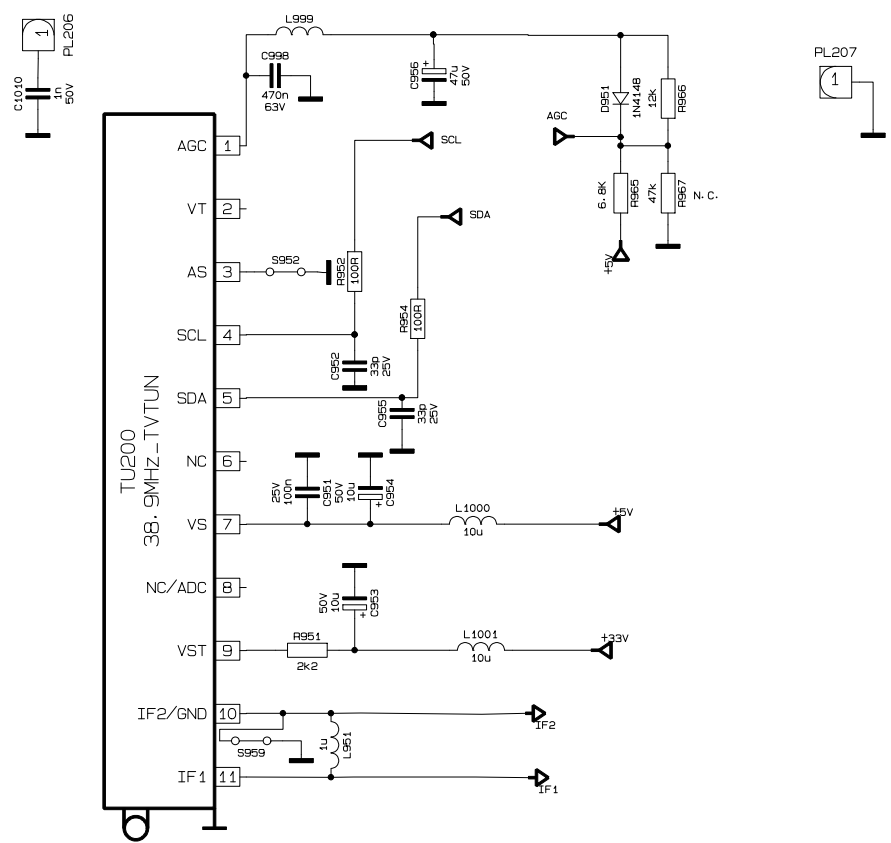
D

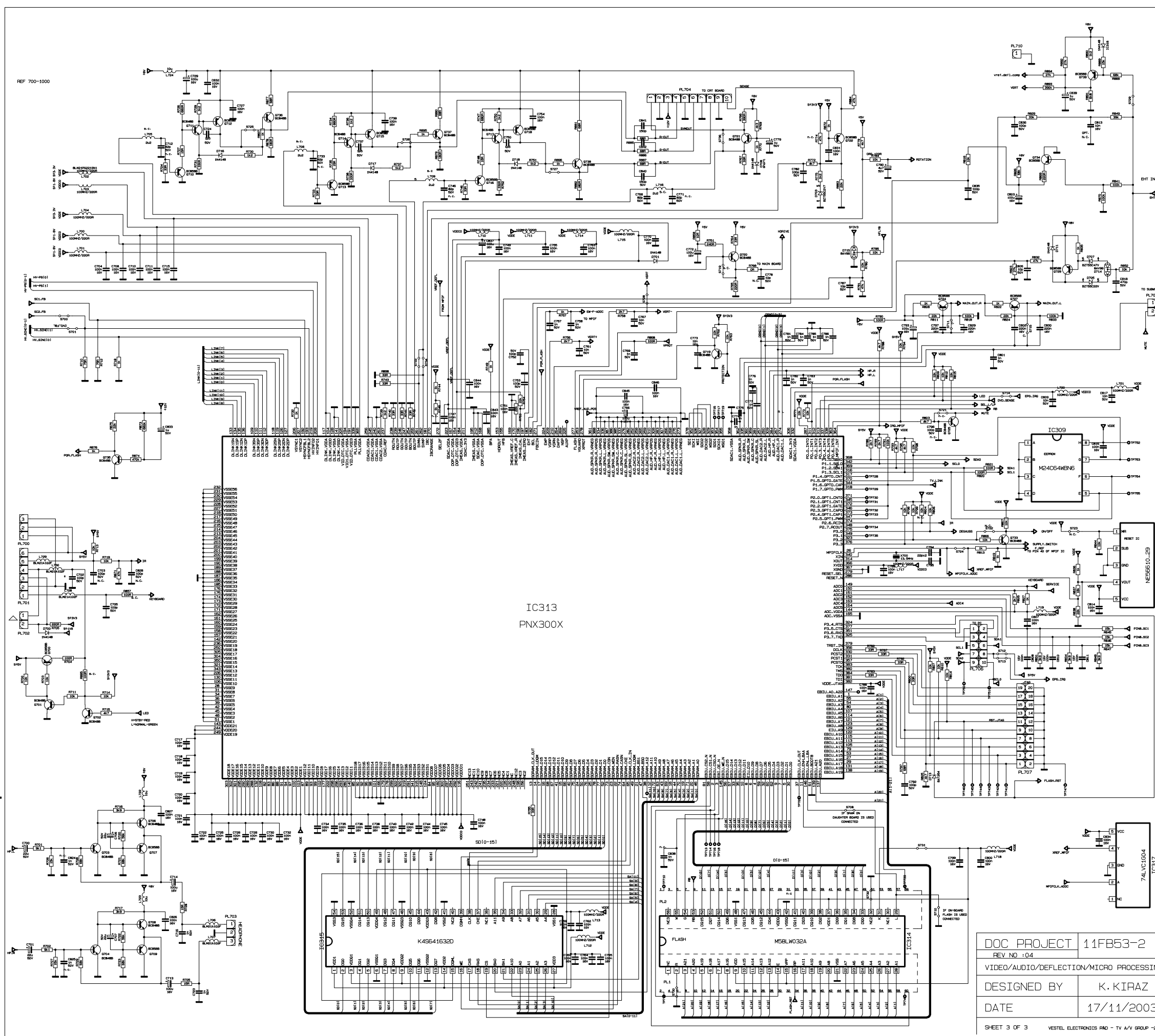
E

F

G

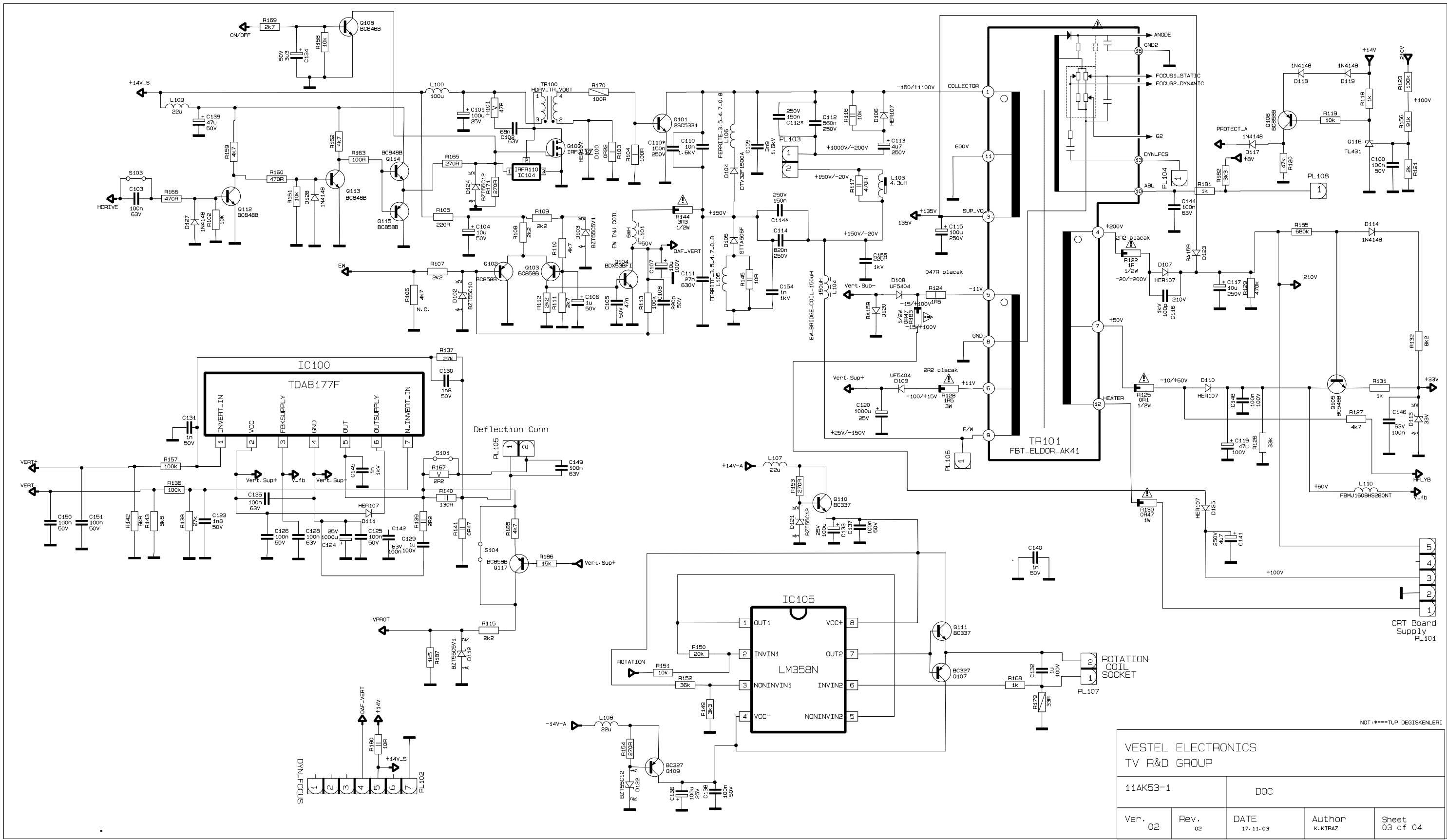
H





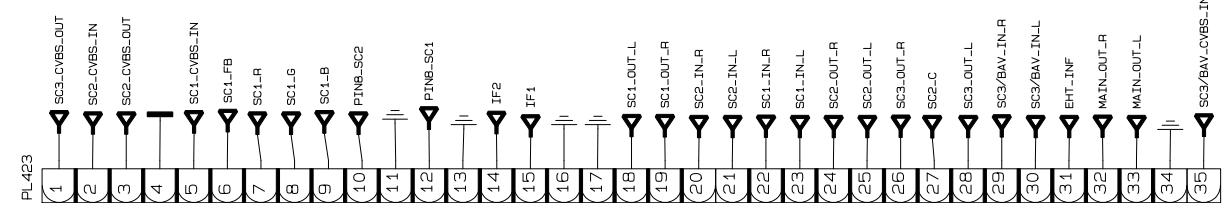
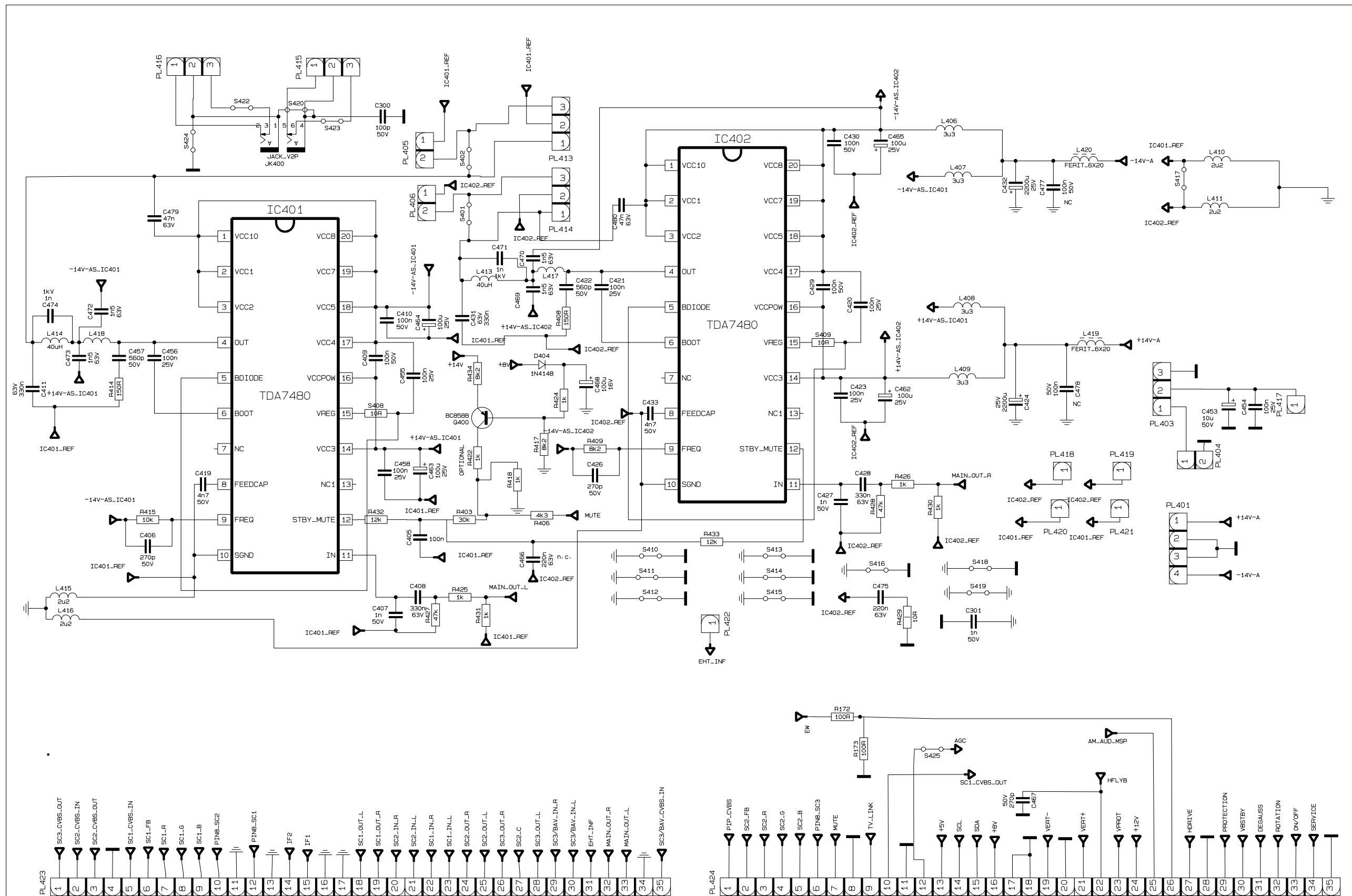
1
2
3
4
5
6
7
8
9
10
11
12

DOC PROJECT	11FB53-2
REV NO :	04
VIDEO/AUDIO/DEFLECTION/MICRO PROCESSING	
DESIGNED BY	K. KIRAZ
DATE	17/11/2003
SHEET 3 OF 3 VESTEL ELECTRONICS R&D - TV A/V GROUP -2003	

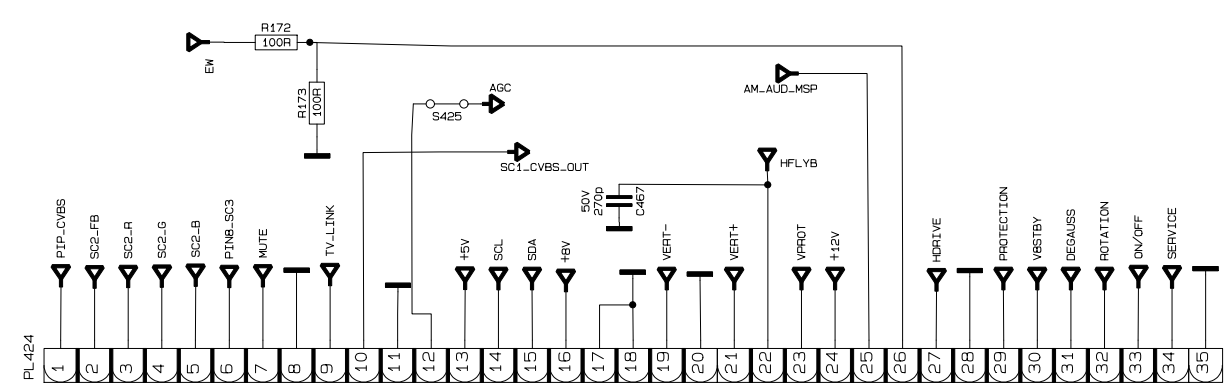


NOT:****TUP DEGİSKENLERİ

VESTEL ELECTRONICS TV R&D GROUP				
11AK53-1		DOC		
Ver. 02	Rev. 02	DATE 17.11.03	Author K.KIRAZ	Sheet 03 of 04

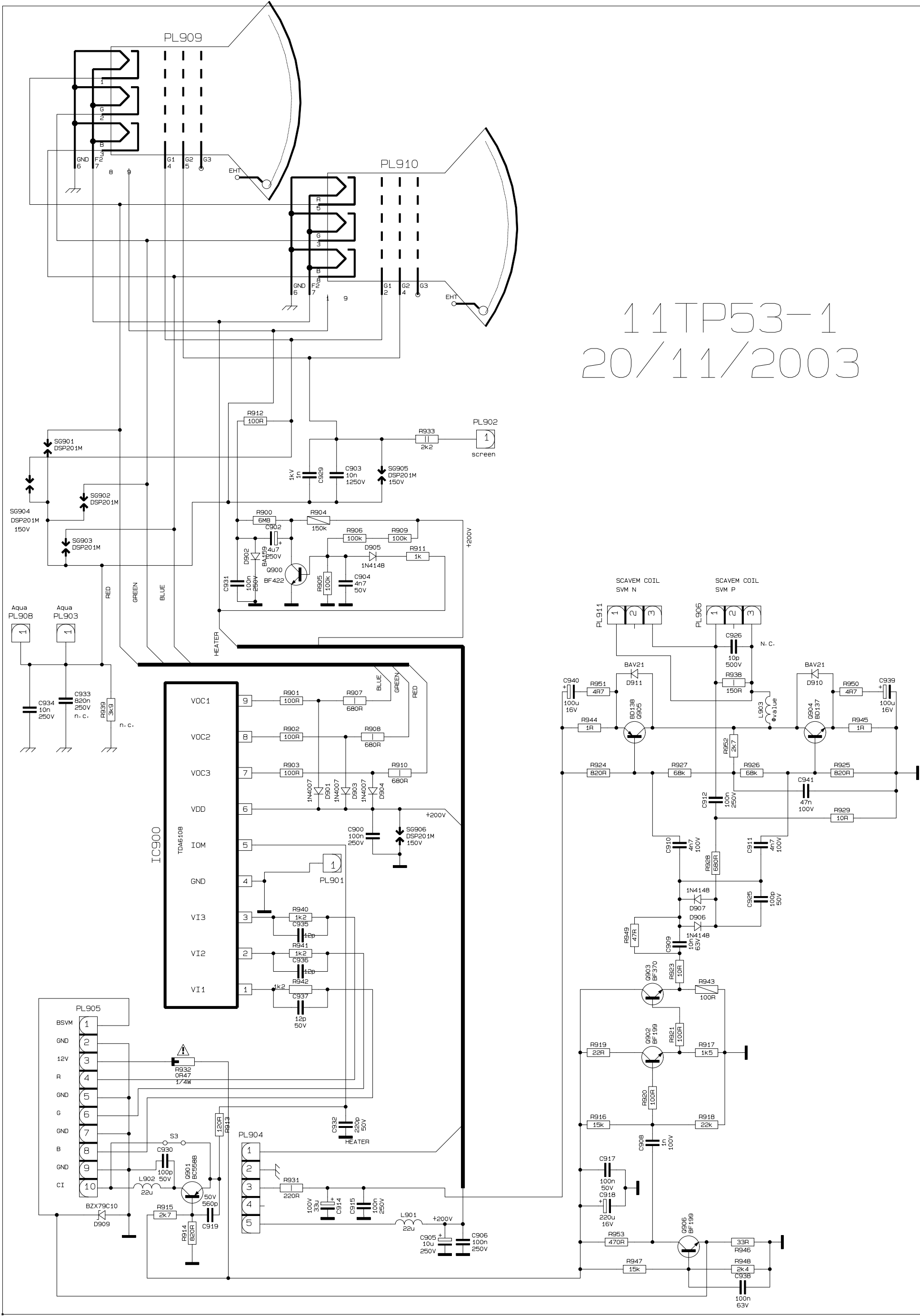


AK52 DOC SSB' de PL401'e takılacak.



AK52 DOC SSB' de PL402'ye takılacak.

VESTEL ELECTRONICS TV R&D GROUP				
11AK53-1		DOC		
Ver. 02	Rev.	DATE 17.11.03	Author K. KIRAZ	Sheet 04 of 04



11TP53-1
20/11/2003