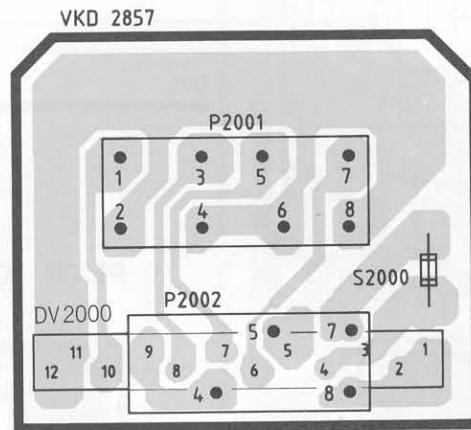


Schaltbild • Circuit diagramm • Schema du poste • Esquema del aparato

**Anschluß - Platte
Connector - Board**

PL 74



P 2001

- 1+2 RR
- 3+4 RF
- 5+6 LF
- 7+8 LR

DV2000

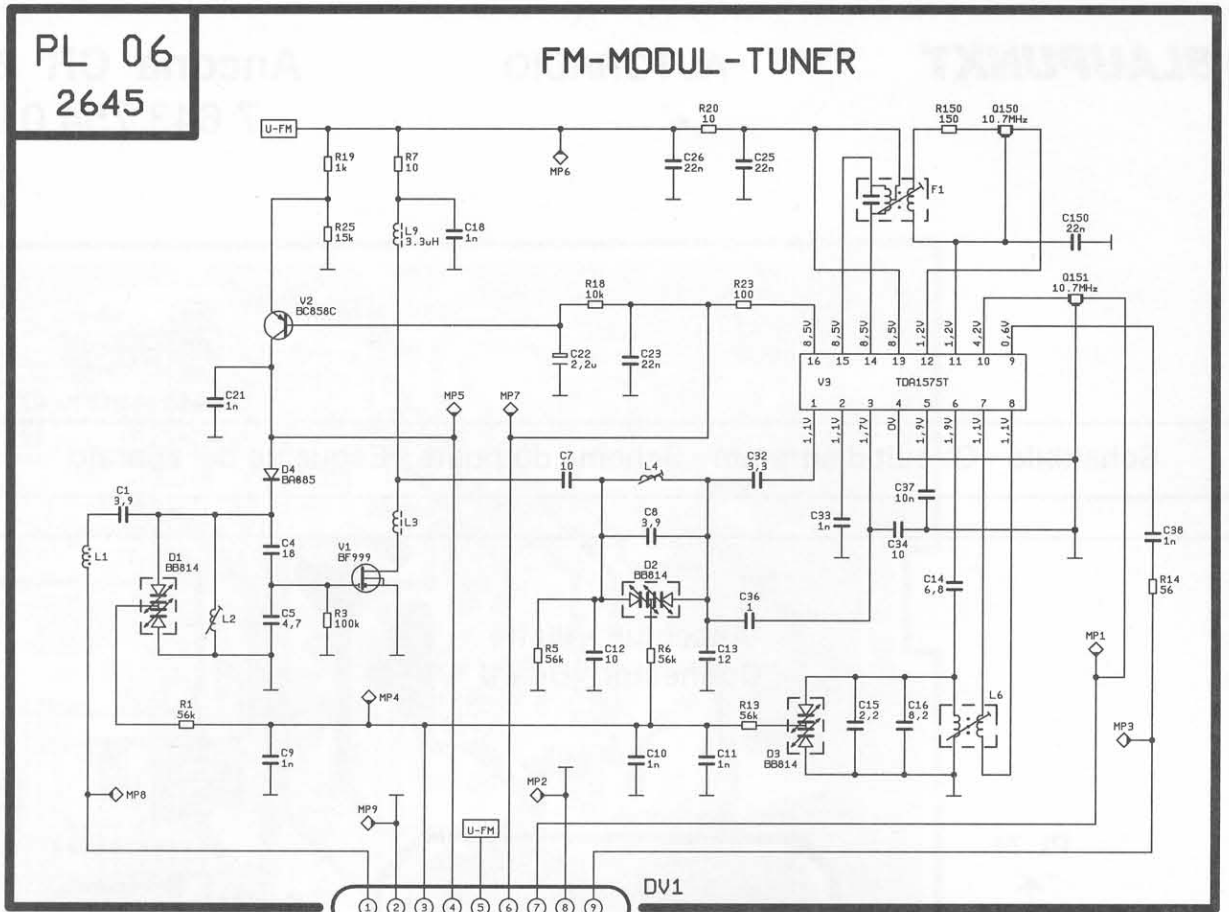
- 1+2 Masse
- 3+4 UB
- 5 (+-)
- 6+7 L
- 8+10 R
- 9 UD
- 11+12 Masse

P 2002

- 4 UD
- 5 (+-)
- 7 UB
- 8 Masse

PL 06
2645

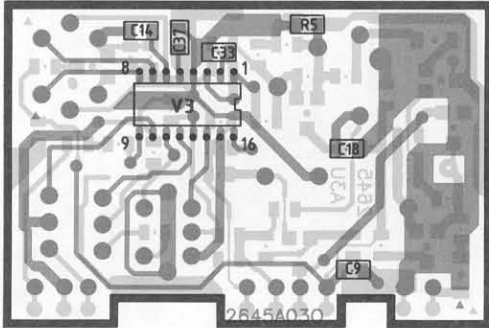
FM-MODUL - TUNER



ANTENNA
GROUND
4U-FM
U81
MULTIPATH
ZF
GROUND
OSZILLATOR

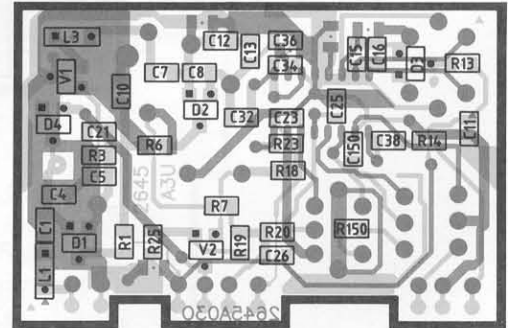
PL 06 CHIP

VKD 2645



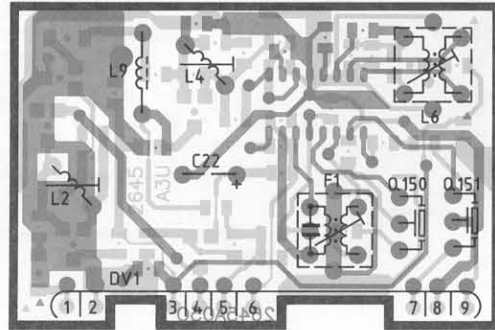
PL 06 CHIP

VKD 2645

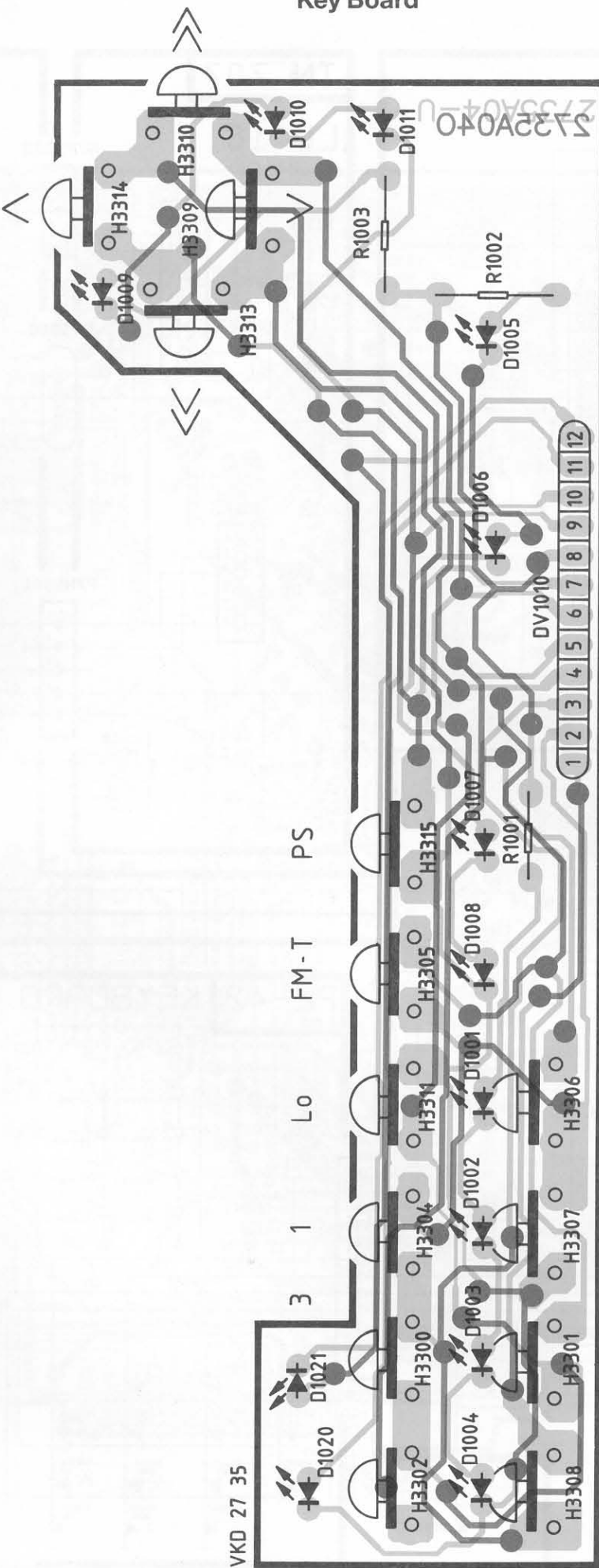


PL 06

VKD 2645



Ant.
Masse
ΔUFM
SL-Empf.
U81
ZF
Masse
Osz.



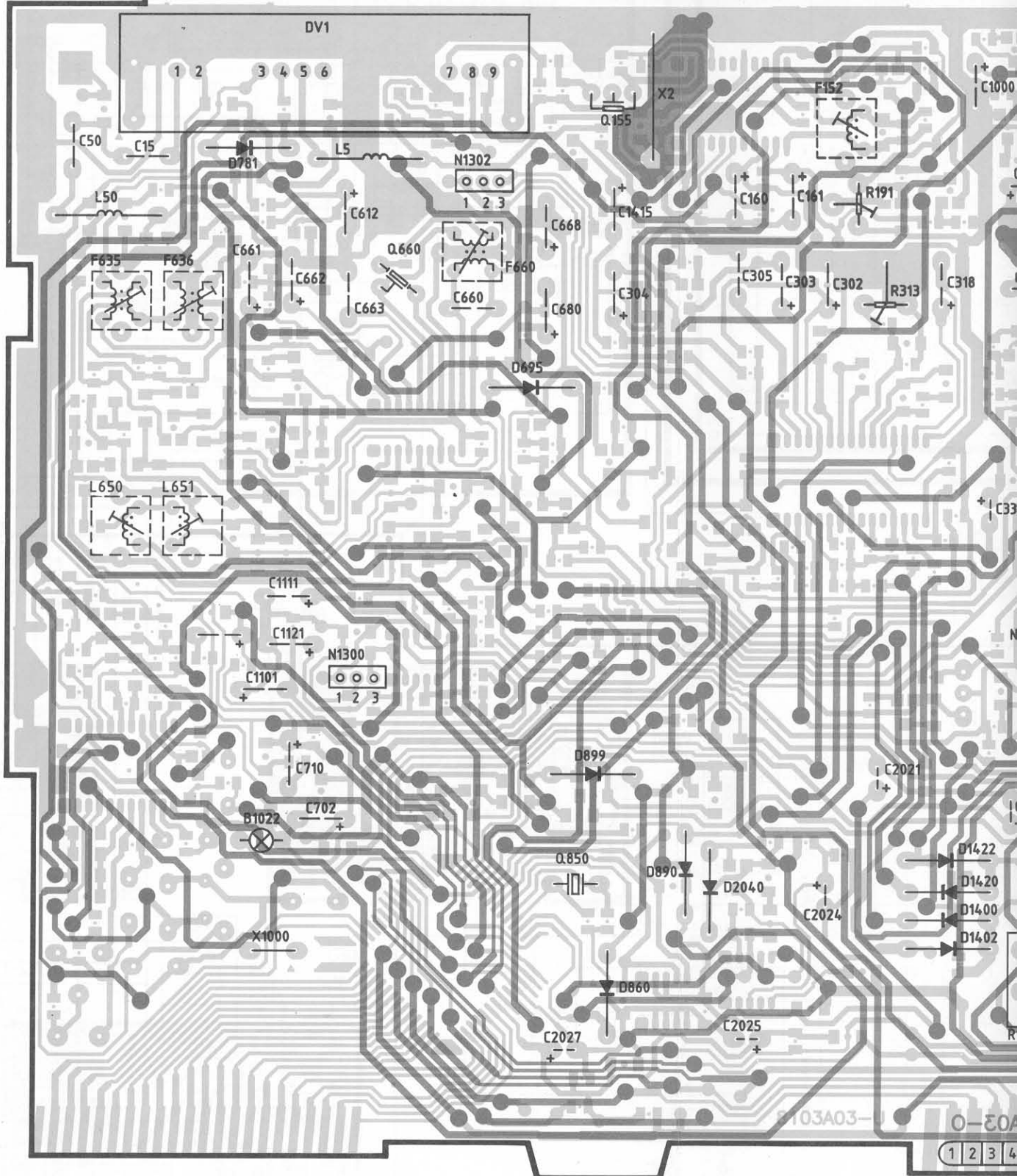
DV1010	1 = 3, 4, 5	7 = >>, ^, PS
	2 = 1, U3-T, M·L, 2	8 = U14
	3 = 6, 1, 3	9 = Ground
	4 = >>, V, U3-T, 4	10 = ← D1020
	5 = ^, <<, M·L, 5	11 = ← D1021
	6 = 6, V, <<, Mode	12 = ← D1021

Haupt-Platte
Main-Board

PL 20



VKD 81 03

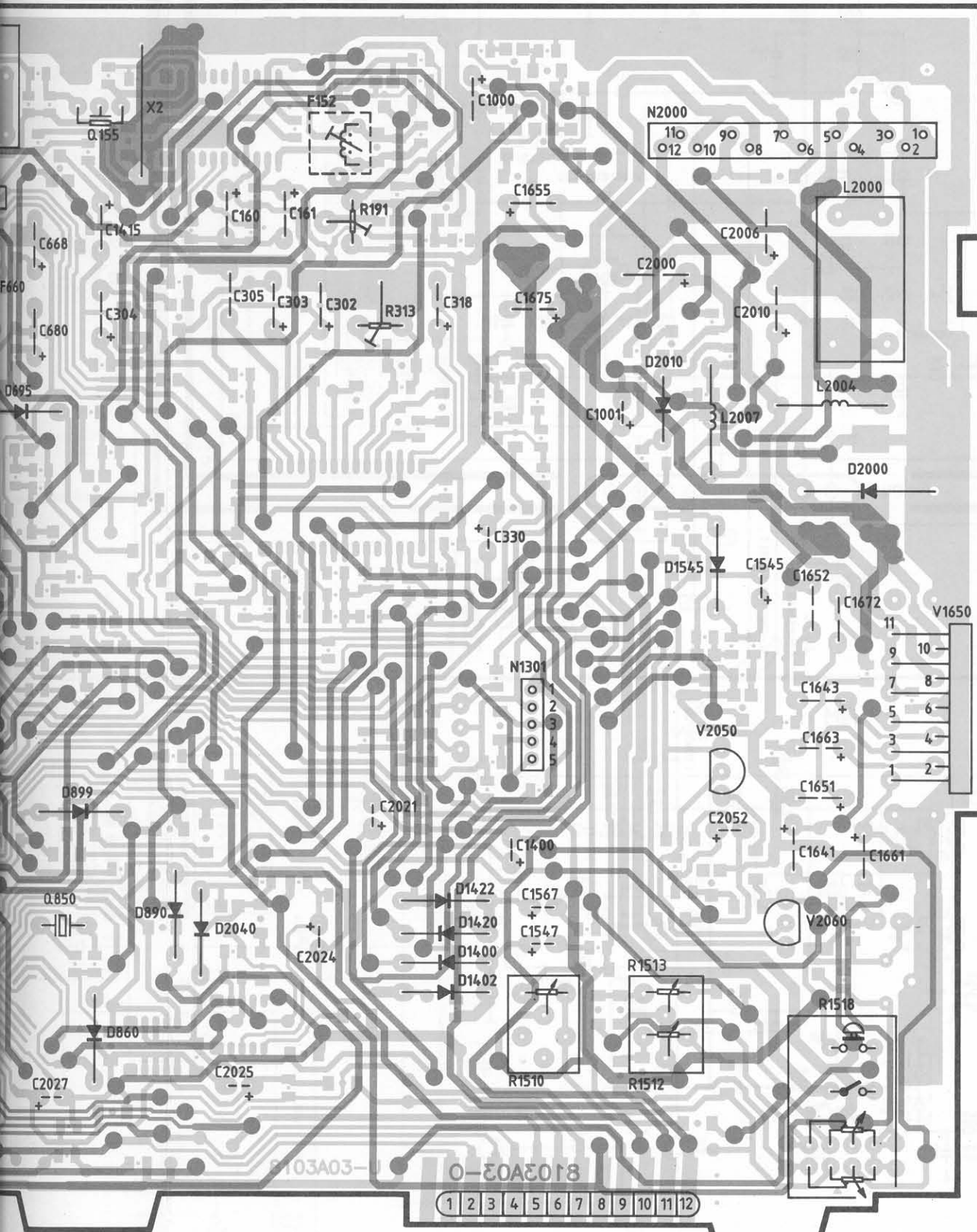


DV1	
1	= Ant.- In
2	= Masse
3	= ΔU-FM
4	= SL-Empf. FM
5	= U81 (U FM)
6	= NC
7	= ZF
8	= Masse
9	= Feldstärke FM

N1302	
1	= LED-▼
2	= LED-▲
3	= U-LED

N1300	
1	= NF-Links
2	= NF-Masse
3	= NF-Rechts

Haupt-Platte
Main-Board



N2000	
11	10
9	8
7	6
5	4
3	2

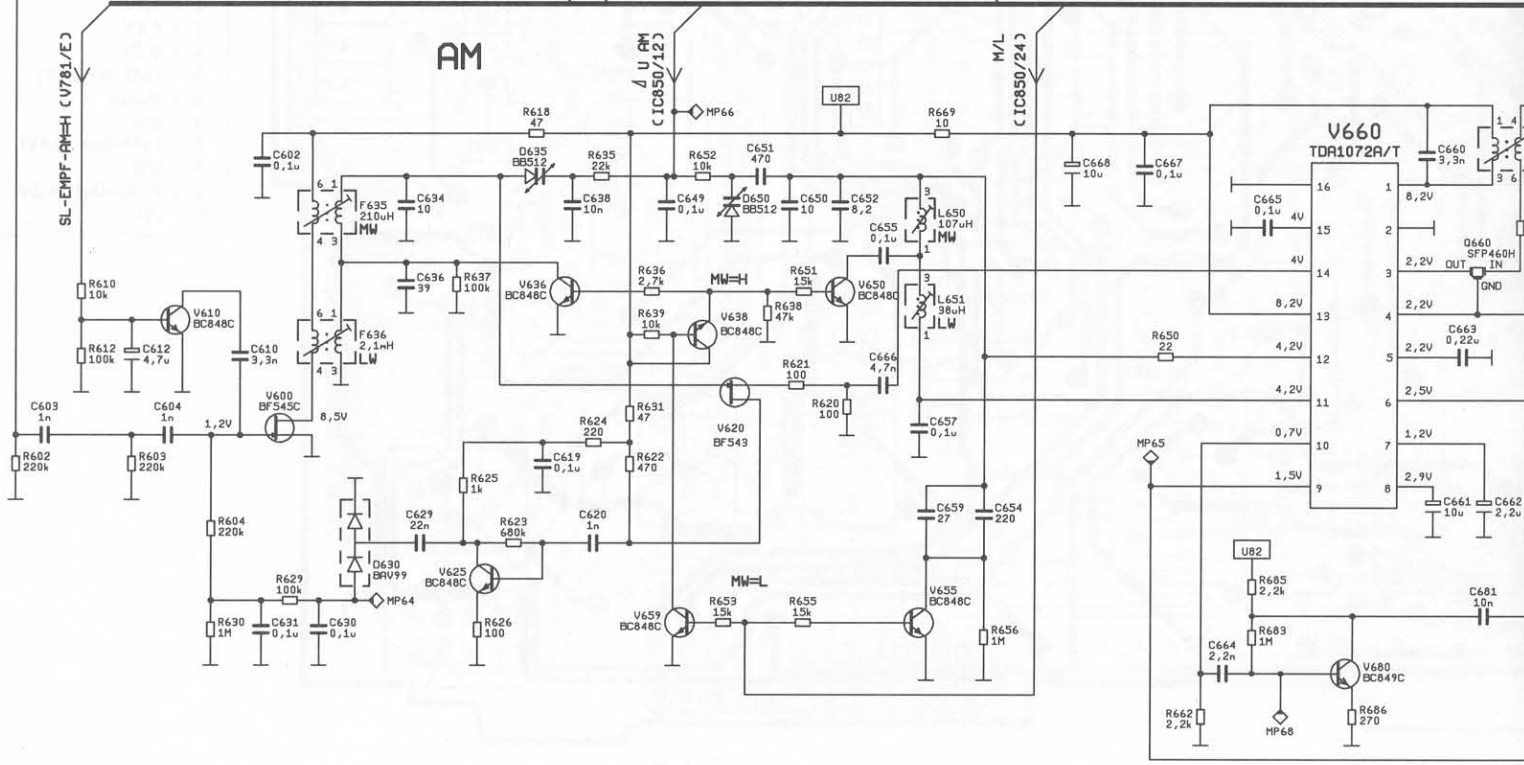
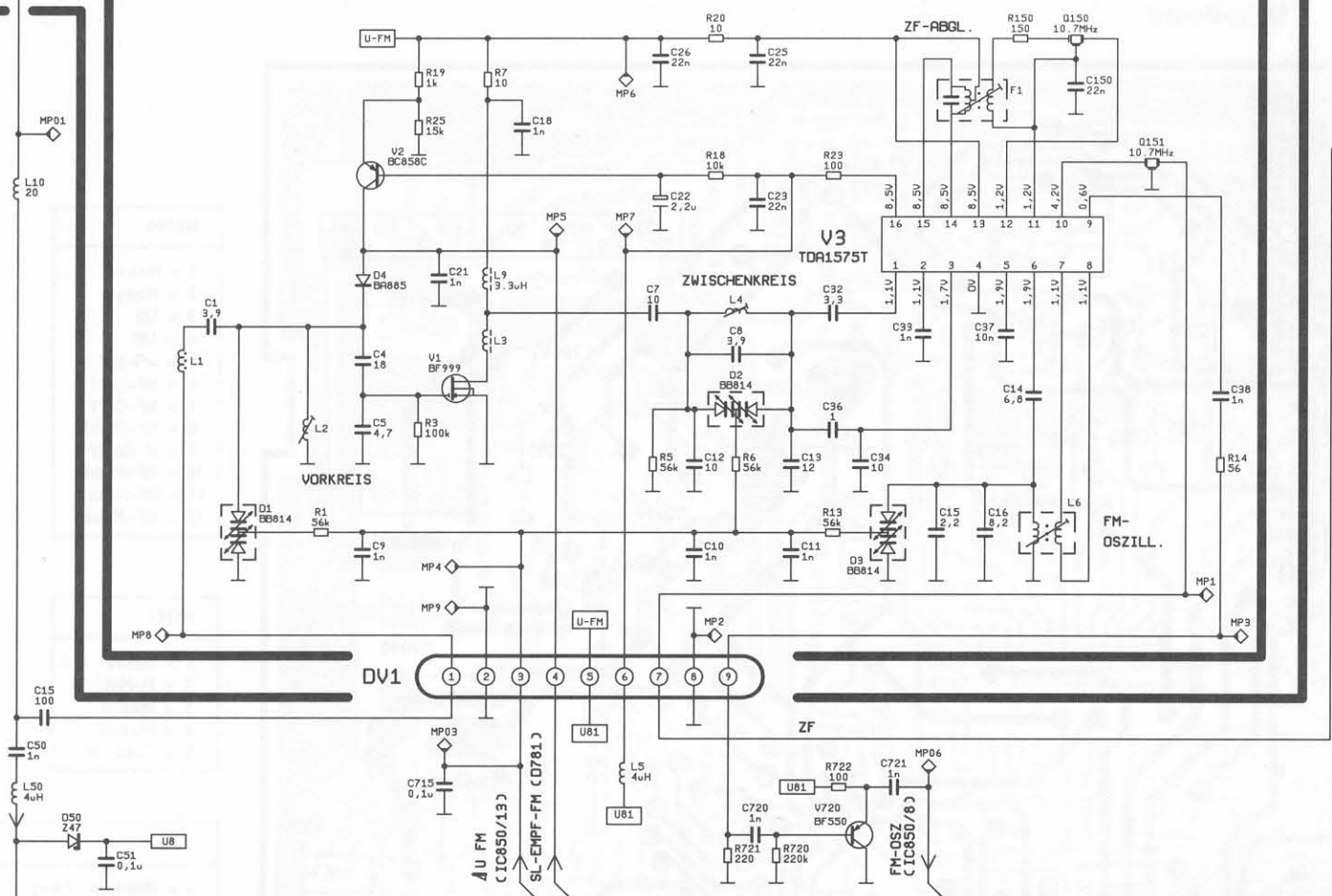
1 = Masse
2 = Masse
3 = UB
4 = UB
5 = 12V
6 = NF-Left
7 = NF-Left
8 = NF-Right
9 = U dauer
10 = NF-Right
11 = NF-Masse
12 = NF-Masse

N1301	
1 = Masse	
2 = U-Motor	
3 = Masse	
4 = Masse	
5 = Cass.-In	

V1650	
11	
9	
10	
7	
8	
5	
6	
3	
4	
1	
2	

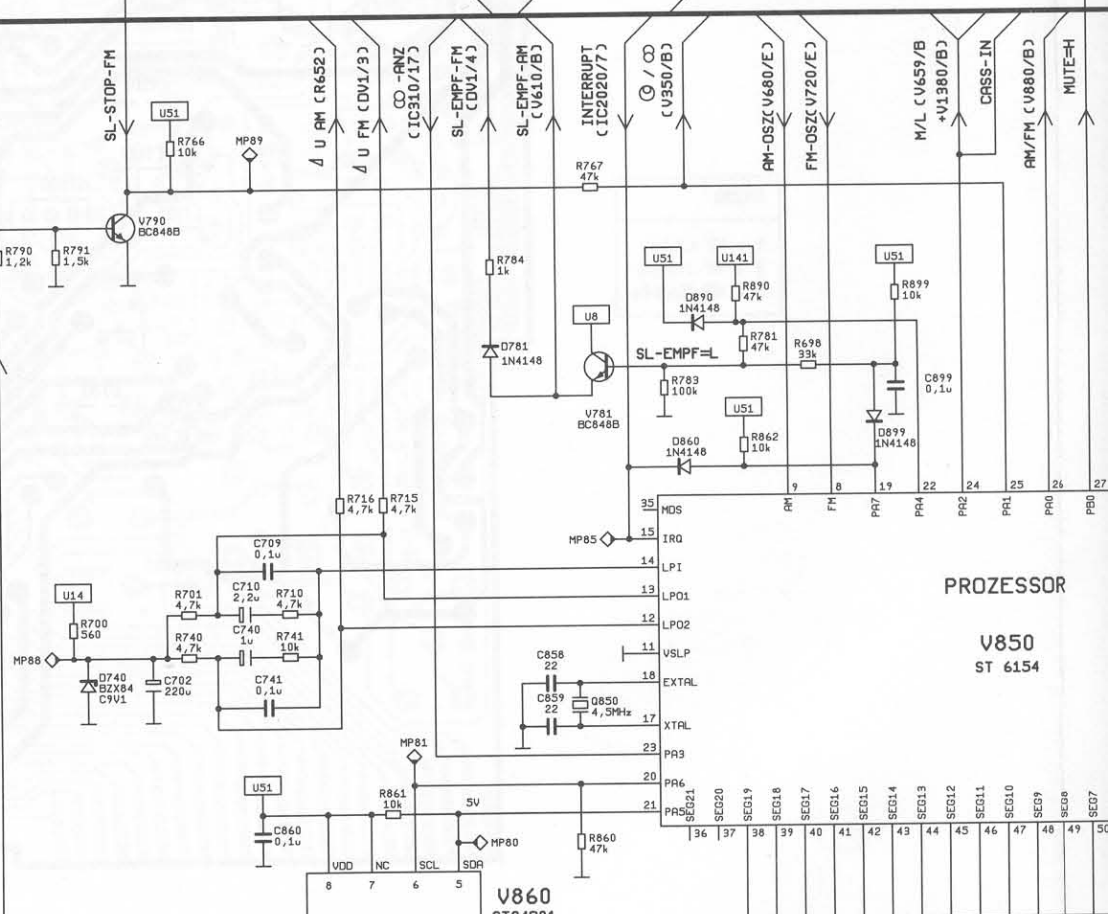
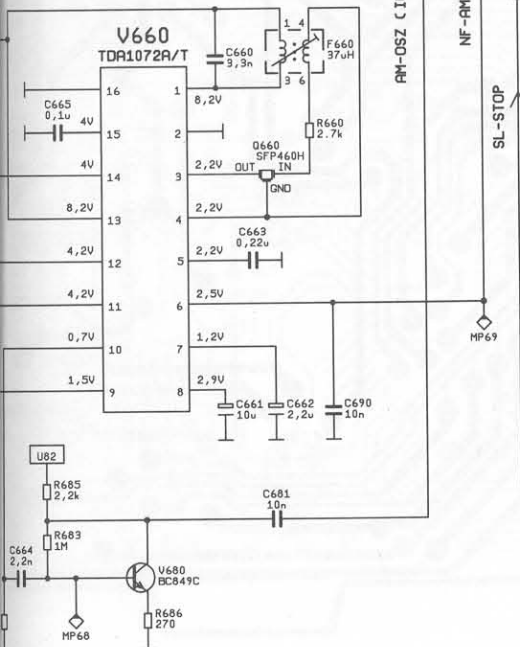
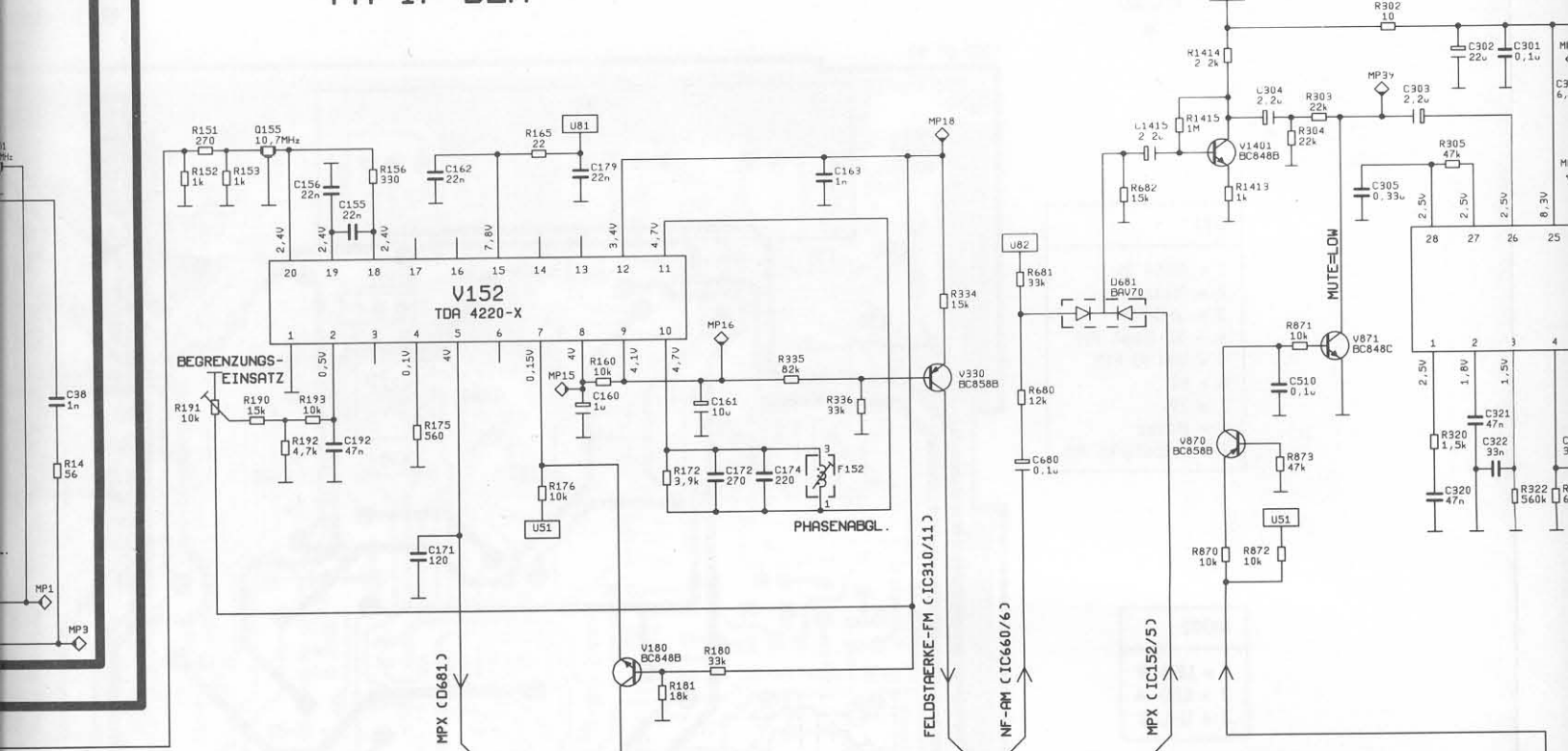
1 = Right-In (1,4V)
2 = 0,7V
3 = 0,8V
4 = 0,7V
5 = Left-In (1,4V)
6 = Masse
7 = U14
8 = Left-Out (6,8V)
9 = U14
10 = Right-Out (6,8V)
11 = U14





FM-IF-DEM

STEREO



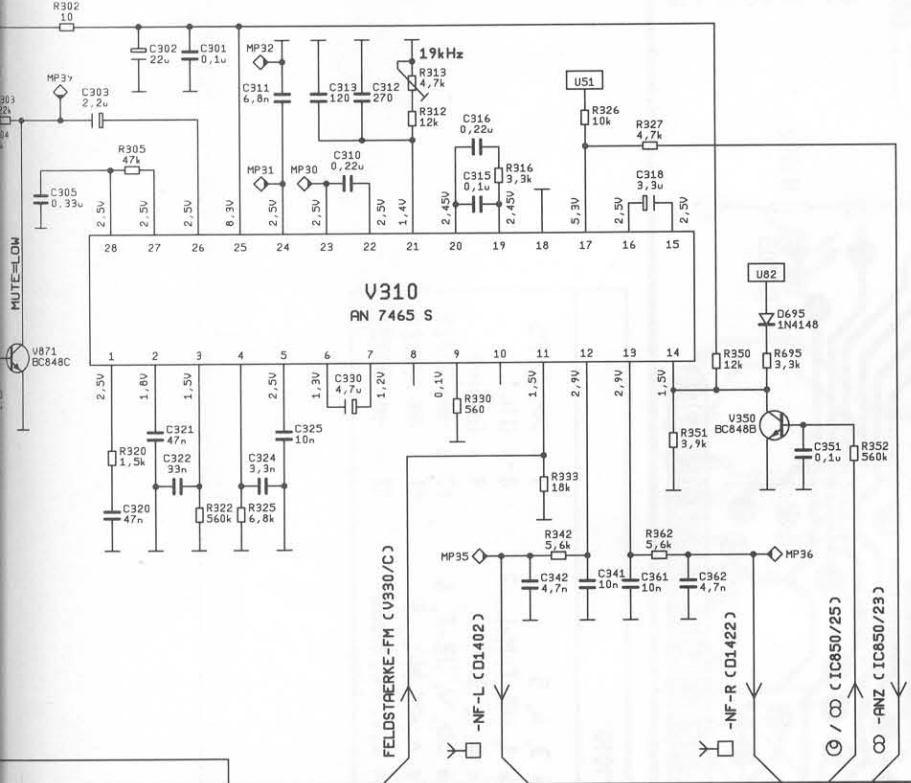
PROZESSOR

V850 ST 6154

DISPLAY

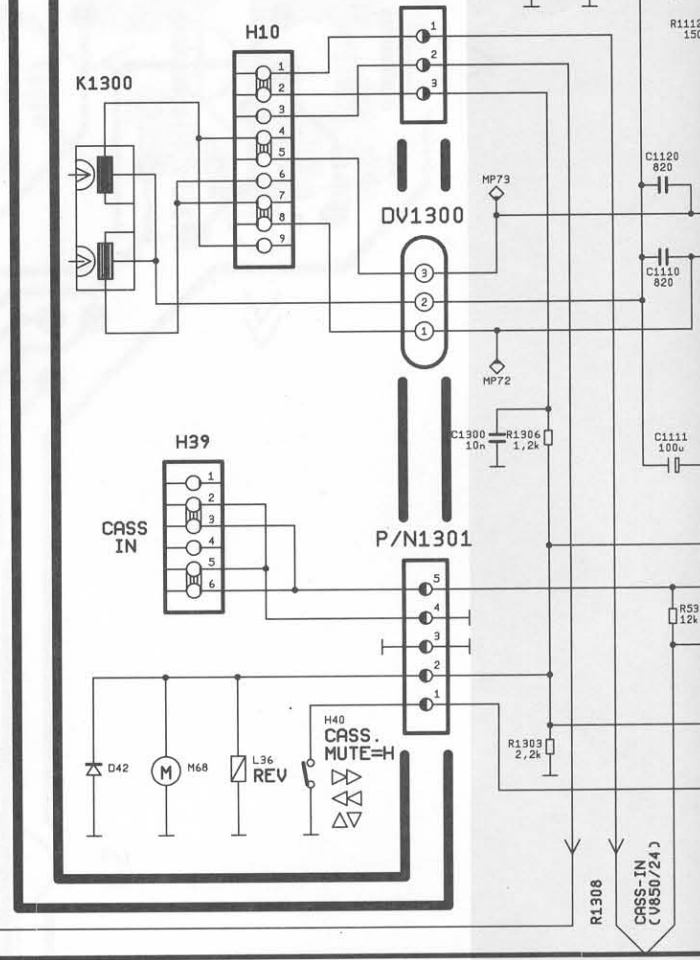
e²-PROM

STEREO-DECODER+ASU



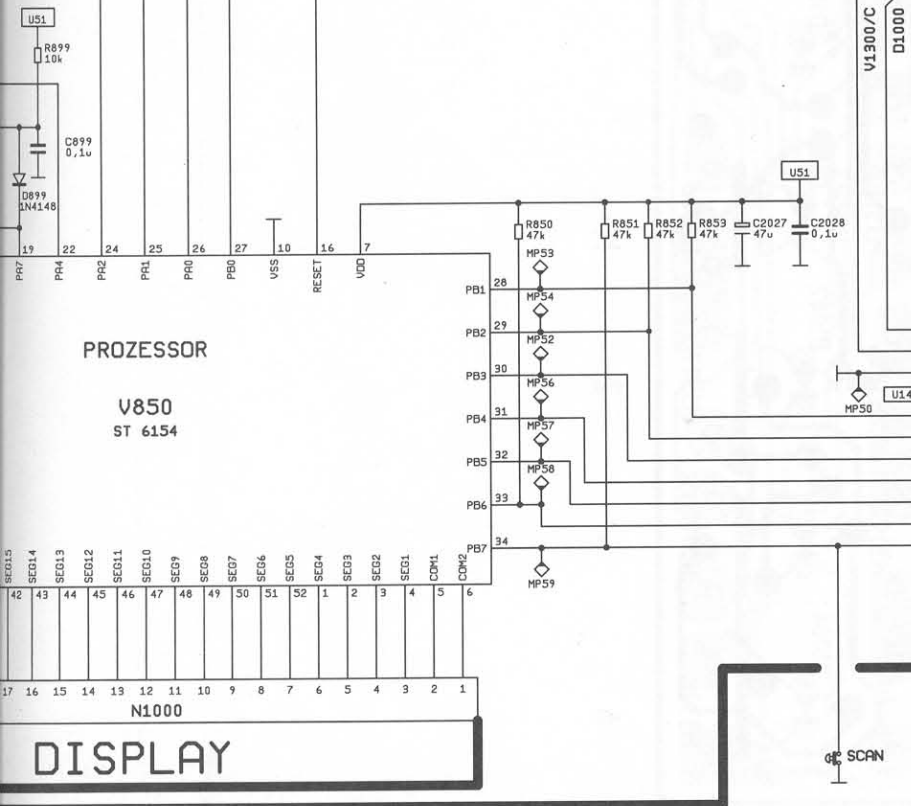
TN 707

LW 18



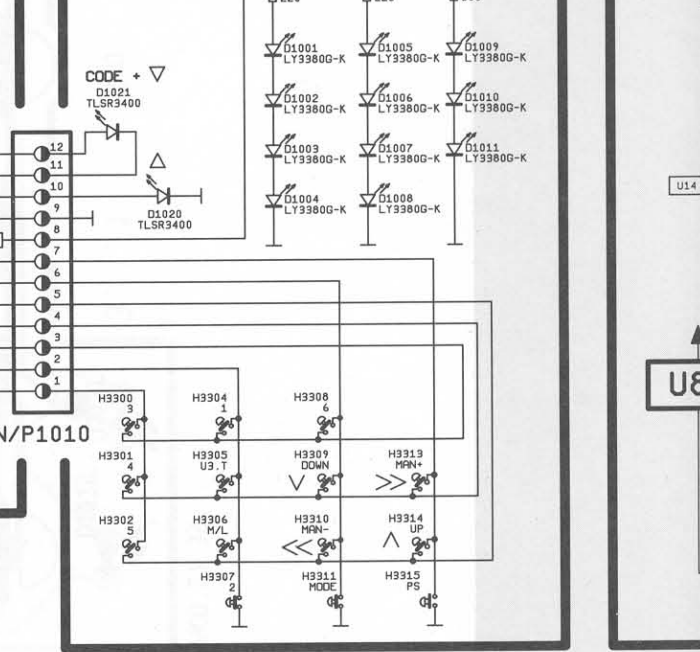
PROZESSOR

V850 ST 6154

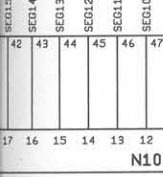


PL-42 KEYBOARD

2 735



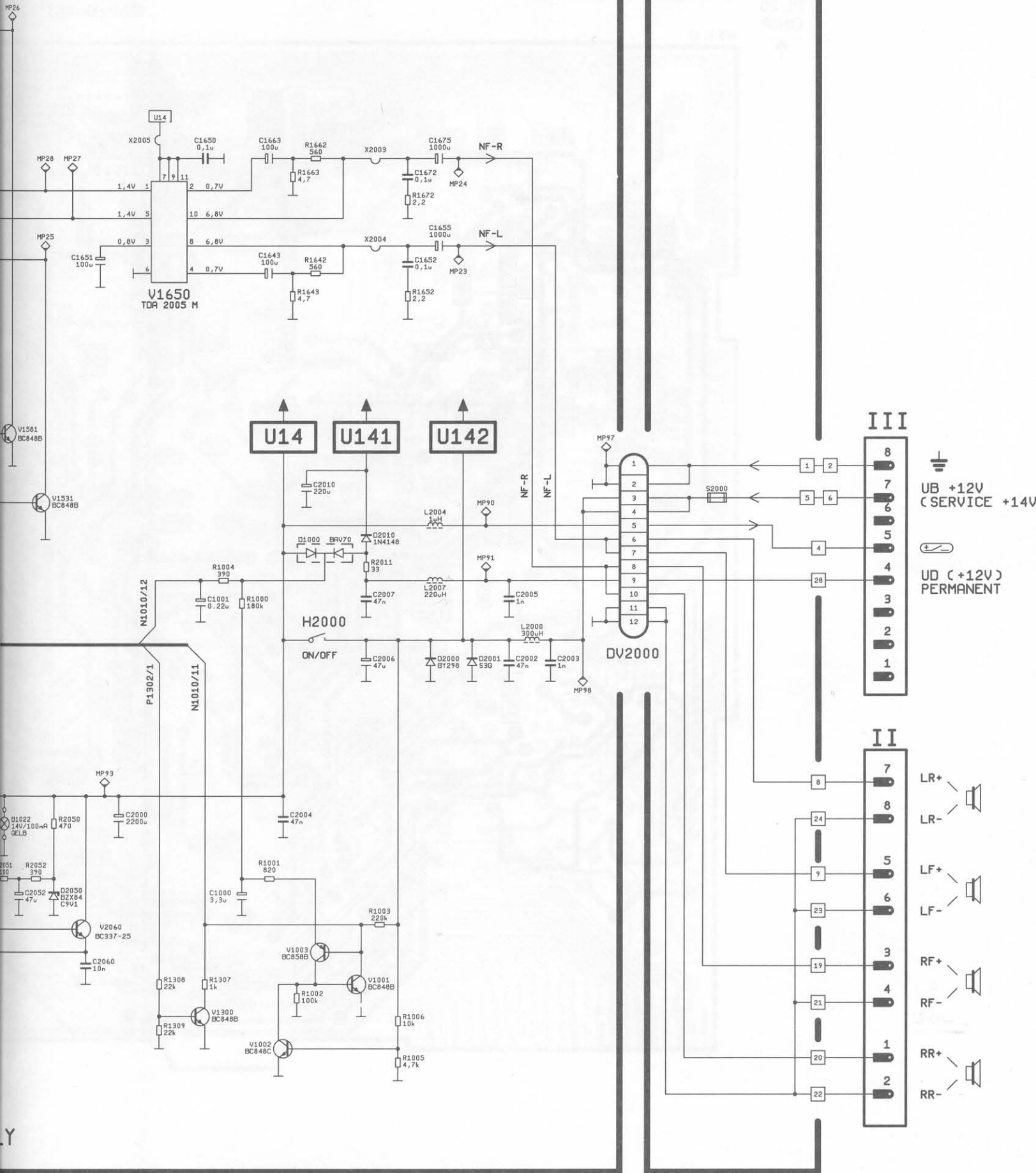
DISPLAY



NF-AMPLIFIER

PL-20
2 733

PL-74
2 857



Haupt-Platte
Main-Board

