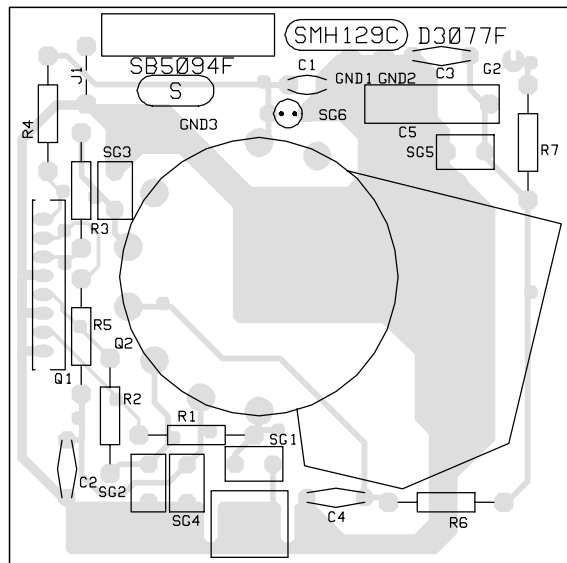
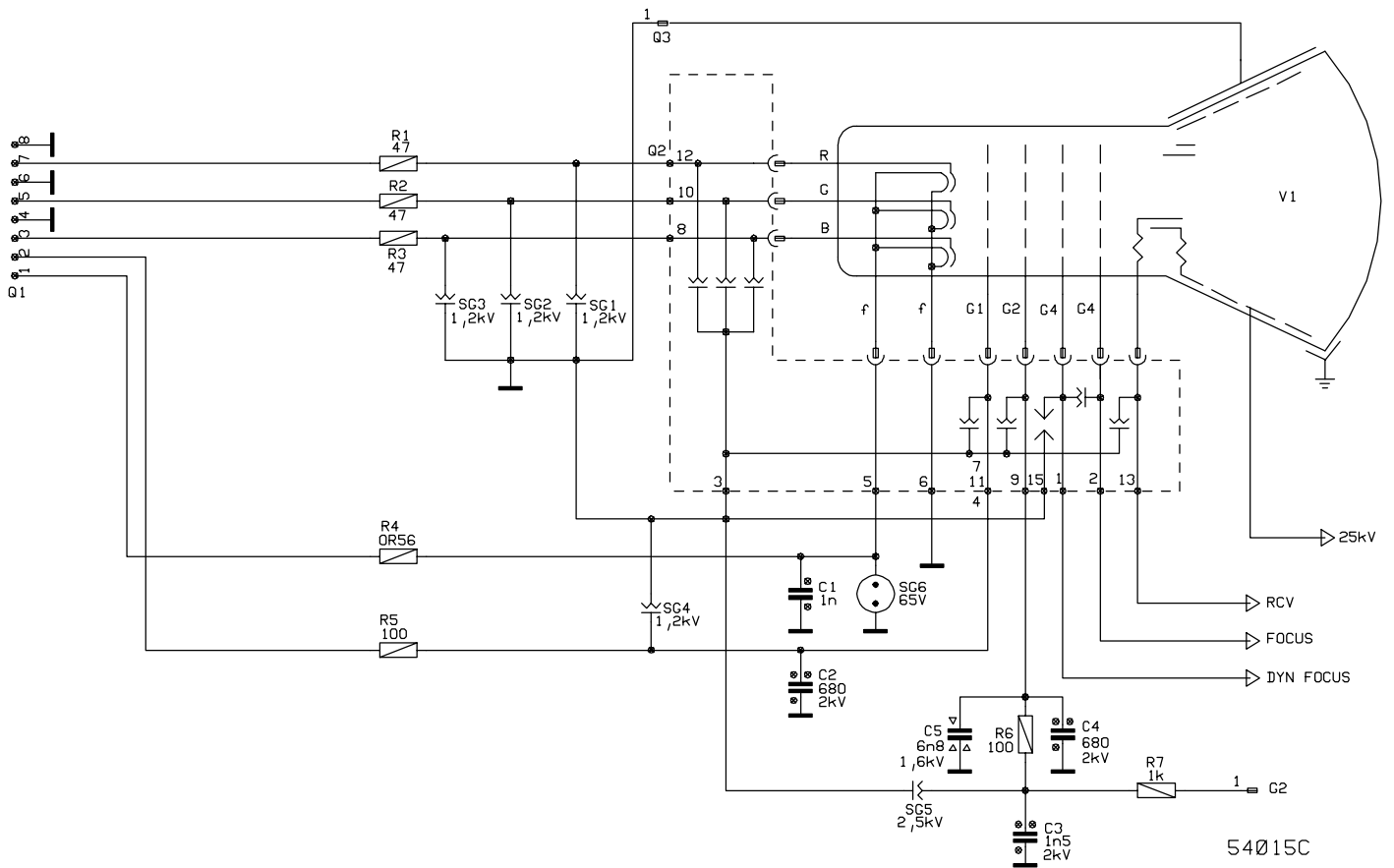


SMH129 (included in SMY030)

Part Number	Description	PG	Item Number
AB0795	R NF 0W5 0R56 J CF	2	RH 004
AD0341	R COMP 0W5 47R K	3	RH 001 002 003
AD0349	R COMP 0W5 100R K	1	RH 005 006
AD0373	R COMP 0W5 1K0 K	1	RH 007
CA0318	C CER 680P M 2KV	2	CH 002 004
CA0320	C CER 1N5 K 2KV	3	CH 003
CC0200	C CER 1N0 K 500V	1	CH 001
CE2325	IMPCAP 6N8 J 1k6V	5	CH 005
SE2617	WIRE BUNDLE SMY-SMH	9	QH 001
QK0851	TAP CONN RTM 1,3/5/8.002	1	QH 001
QK1600	CRT SOCKET	17	QH 002
QT0002	SPARK GAP 1,2KV +-500V R=5,0MM	3	SGH 001 002 003 004
QT0004	SPARK GAP 2,5KV +-500V R=5,0MM	5	SGH 005
QT0217	GLIMM LAMP 65V	3	SGH 006



Part Number	Description	PG	Item Number
AB0795	NF RES 0W5 0R56 J 4-11 CF	02	RH 004
AD0341	COMPRES 0W5 47R K 4-11	03	RH 001 002 003
AD0349	COMPRES 0W5 100R K 4-11	01	RH 005 006
AD0373	COMPRES 0W5 1K0 K 4-11	01	RH 007
CA0318	CERCAP Y5P 680P M 2KV Y7,5 D10	02	CH 002
CA0320	CERCAP Y5P 1N5 K 2KV Y7,5 D13	03	CH 003
CC0200	CERCAP Y5P 1N0 K 500V Y5: D9	01	CH 001
CE2325	IMPCAP 6N8 J 1K6V Y15 081518	05	CH 005
QK0851	TAP CONN RTM 1,3/5/8.002	01	QH 003
QK1600	"CRT SOCKET FOR 17" SONY"	17	QH 002
QK1688	SOLDER SUPPORT FOR CABLE 8-POS	08	QH 001
QT0002	SPARK GAP 1,2KV +-500V R=5,0MM	03	SGH 001 002 003 004
QT0004	SPARK GAP 2,5KV +-500V R=5,0MM	05	SGH 005
QT0217	GLIMM LAMP 65V 6*16MM	03	SGH 006
SE2617	WIRE CLUSTER SMY-SMH 447K	09	QH 001
QK1108	IDC WIRE CONN 1X08 2,5	04	002
XS0480	BAND CABLE STRAN 8-POLE R=2,50	03	001

447K