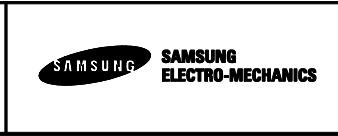
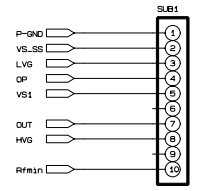


NOTE

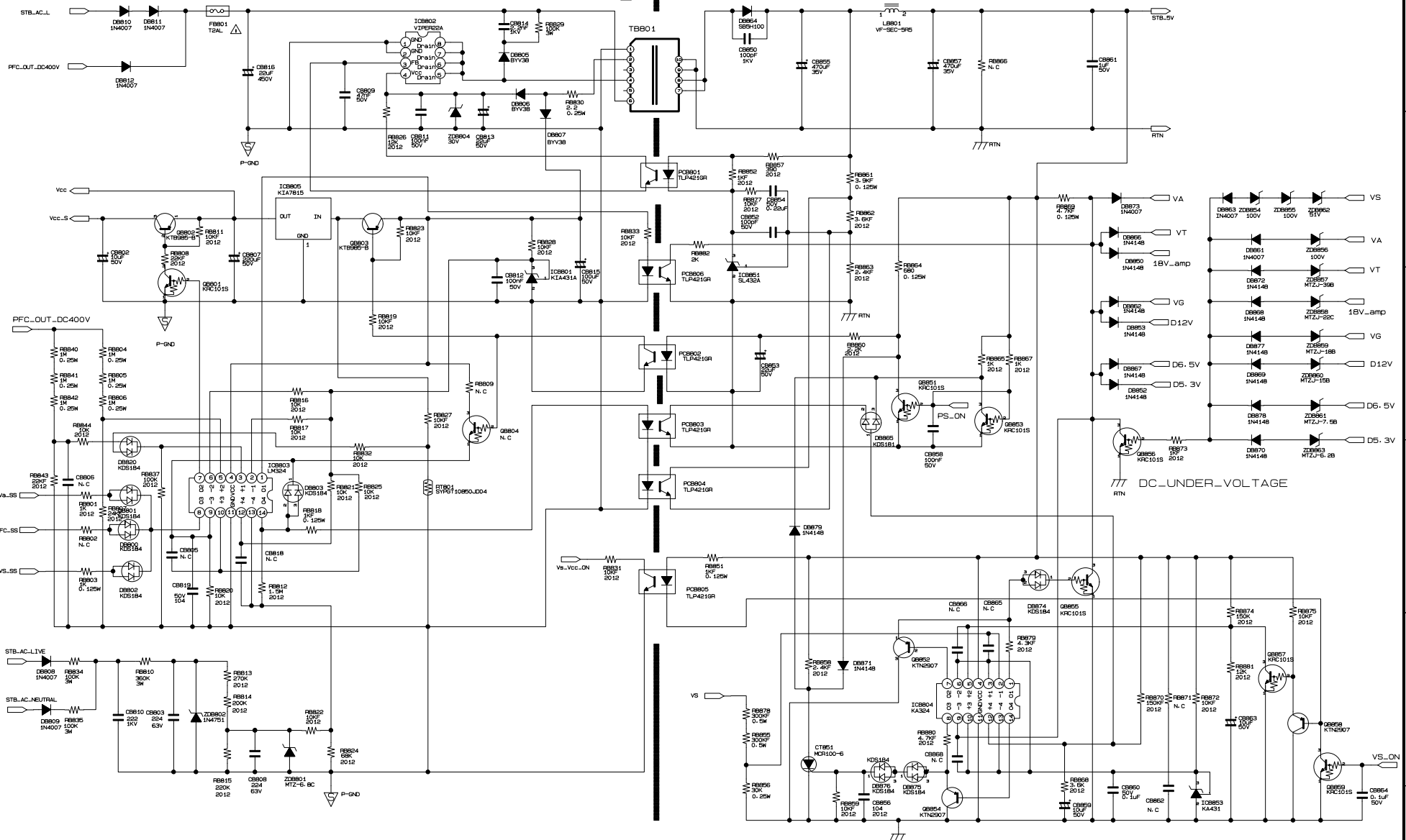


USER	SAMSUNG ELECTRONICS. CO. LTD		DATE	06/03/28
MODEL NAME	V5 - SEC		SCALE	A3
FORM NUMBER			REVISION	1.1
			LEVEL	APPROVED
				L. J. H



[STAND-BY SECTION]

HOT COLD

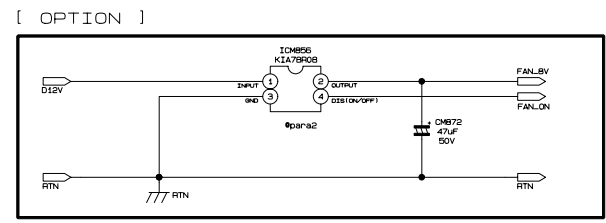
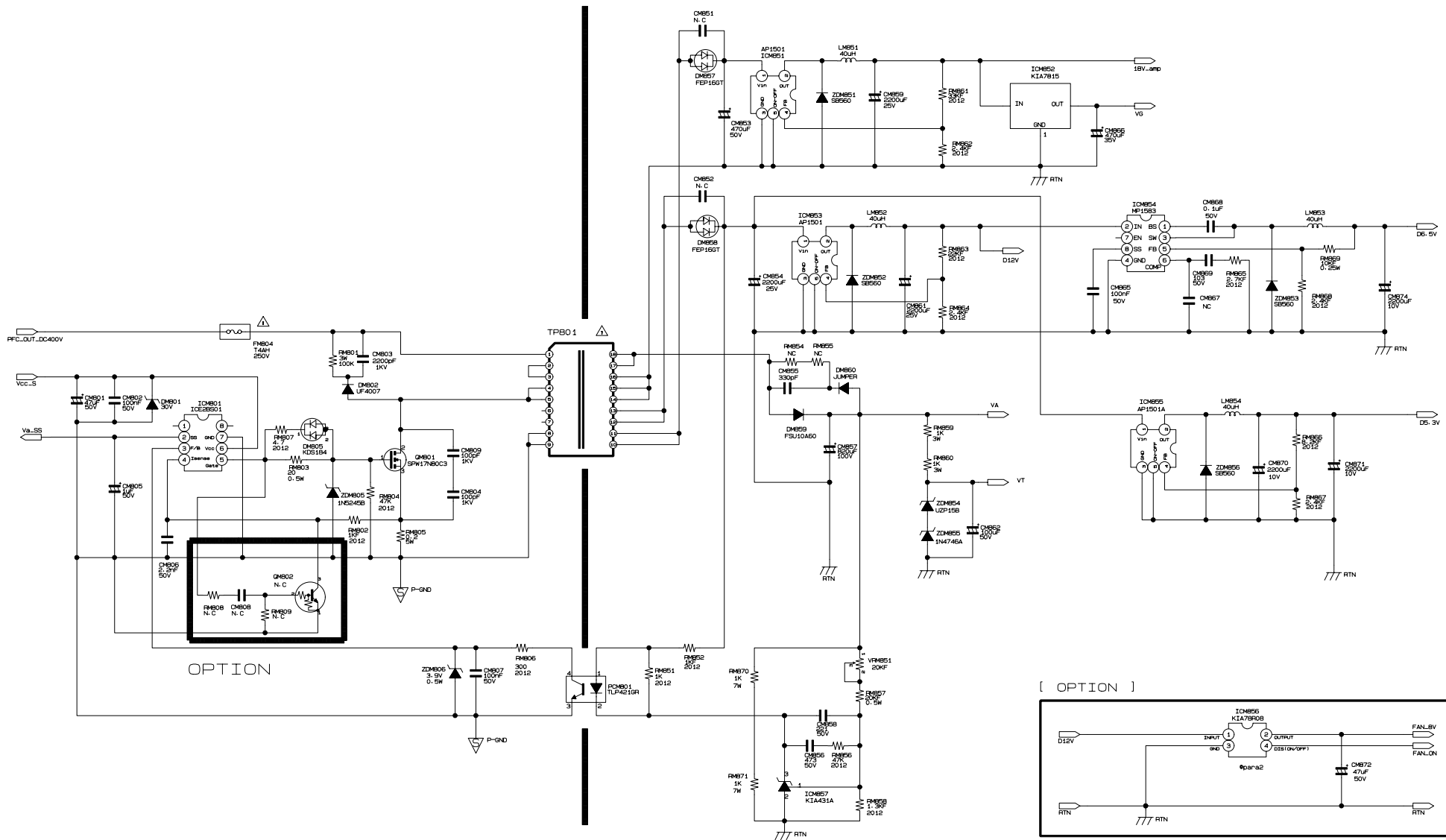


NOTE

		USER SAMSUNG ELECTRONICS. CO. LTD MODEL NAME V5 - SEC PDM NUMBER	DATE 06/03/28 SCALE A3 REVISION 1. 1 LEVEL	DRAWN Y. M. K CHECKED R. D. G APPROVED L. J. H
--	--	--	---	--

[VX SECTION]

HOT COLD



NOTE



USER	SAMSUNG ELECTRONICS. CO. LTD		DATE	06/03/28
MODEL NAME	V5 - SEC		SCALE	A3
PDM NUMBER			REVISION	1.1
			LEVEL	APPROVED

A

B

C

D

E

F

A

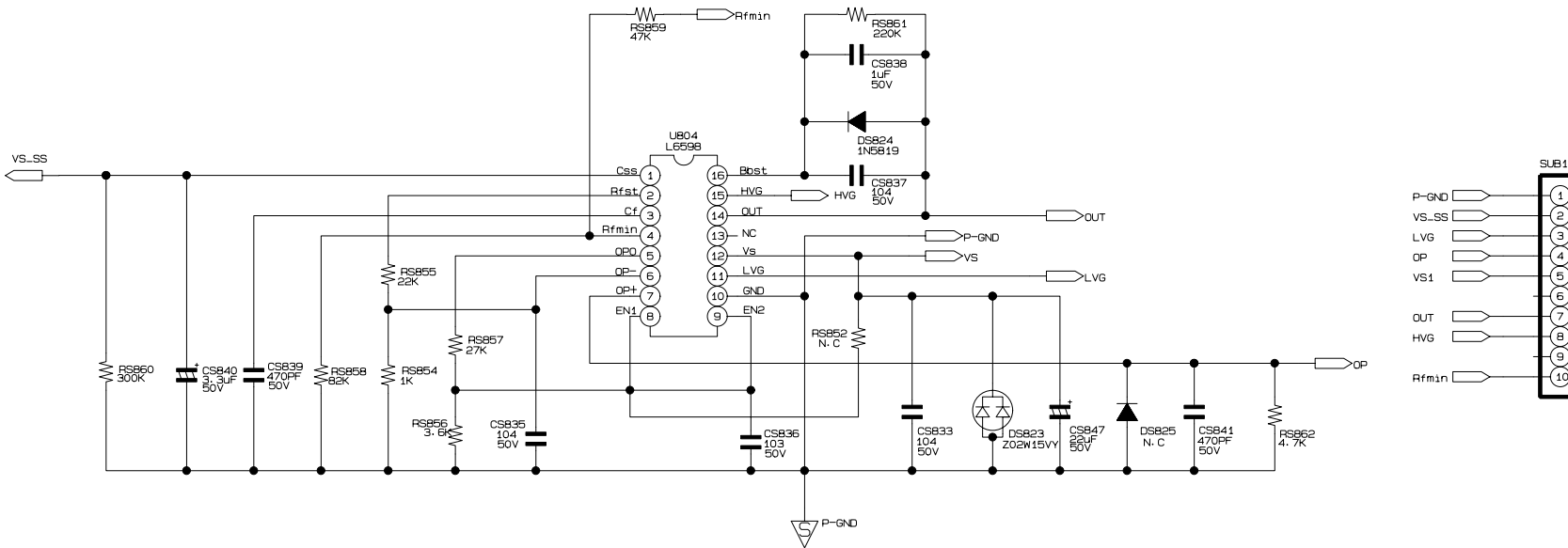
B

C

D

E

F



NOTE



USER SAMSUNG ELECTRONICS. CO. LTD

DATE 06/02/15

MODEL NAME V5 SEC-VS SUB

SCALE A3

DRAWN Y. M. K

PDM NUMBER

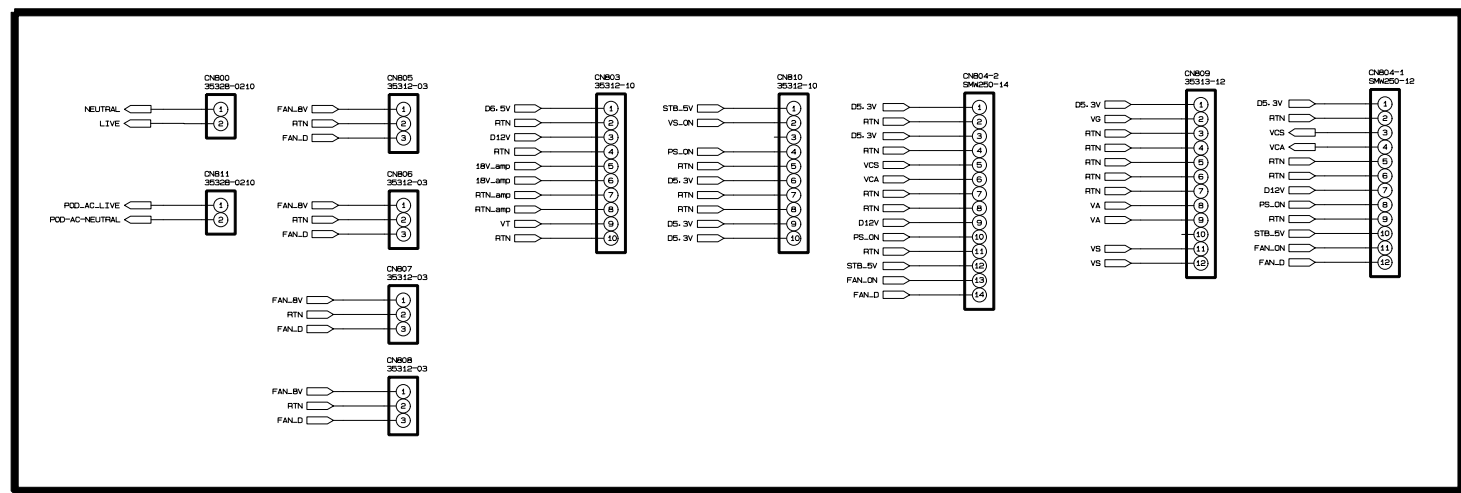
REVISION 1. 1

CHECKED R. D. G

LEVEL

APPROVED L. J. H

[CONNECTOR INFORMATION]



NOTE



USER SAMSUNG ELECTRONICS. CO. LTD		DATE 06/03/28	
MODEL NAME V5 - SEC	SCALE A3	DRAWN Y. M. K	
PCB NUMBER	REVISION 1. 1	CHECKED R. D. G	
	LEVEL	APPROVED L. J. H	