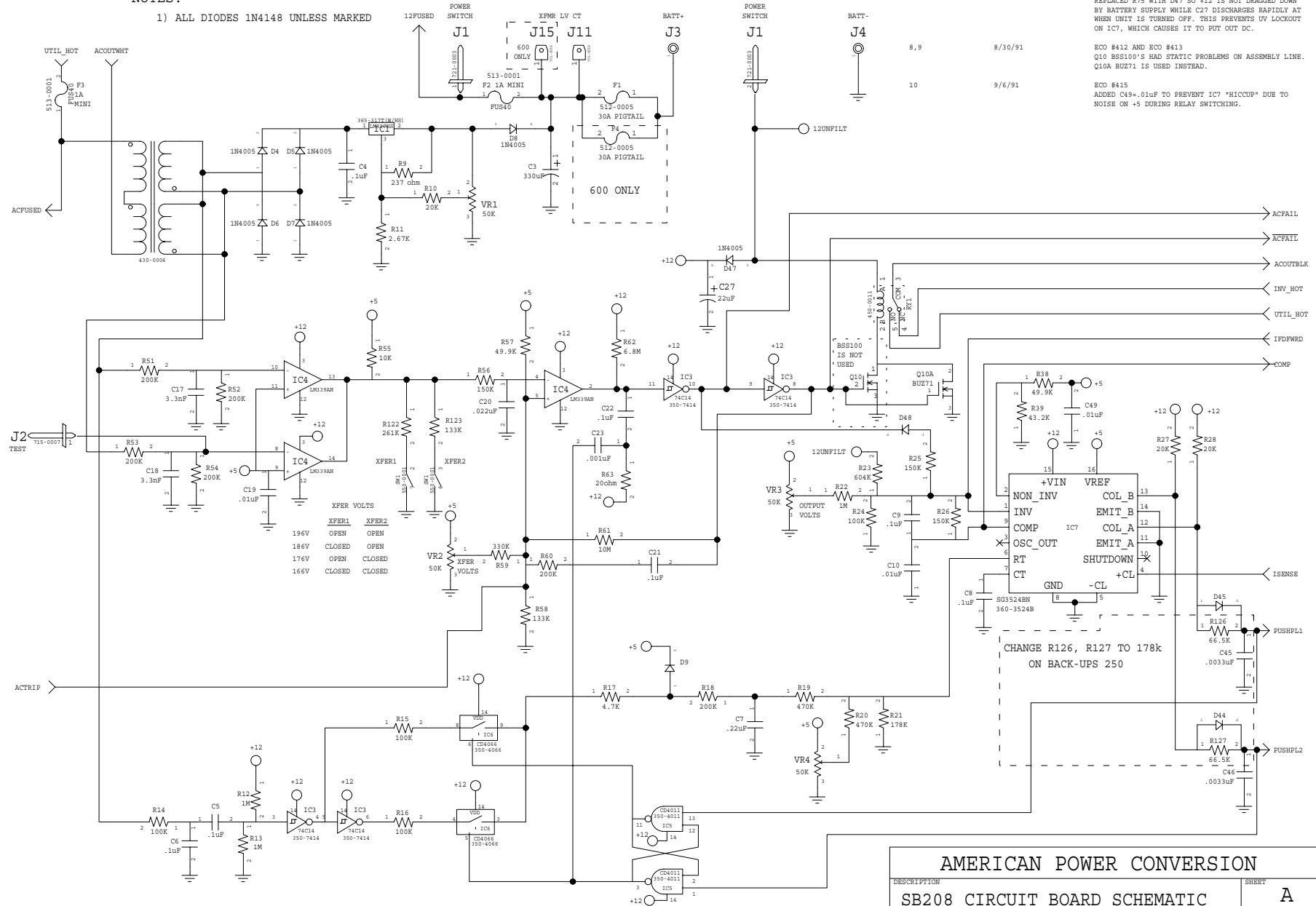


NOTES:

1) ALL DIODES 1N4148 UNLESS MARKED

REV #	DATE	REVISION
7	7/17/91	ECO #391 AND ECO #394 REPLACED R75 WITH D47 50 +12 IS NOT DRAGGED DOWN BY BATTERY SUPPLY WHILE C27 DISCHARGES RAPIDLY AT WHEN UNIT IS TURNED OFF. THIS PREVENTS UV LOCKOUT ON IC7, WHICH CAUSES IT TO PUT OUT DC.
8,9	8/30/91	ECO #412 AND ECO #413 Q10 BSS100'S HAD STATIC PROBLEMS ON ASSEMBLY LINE. Q10A BUZ71 IS USED INSTEAD.
10	9/6/91	ECO #415 ADDED C49=.01uF TO PREVENT IC7 'HICCUP' DUE TO NOISE ON +5 DURING RELAY SWITCHING.



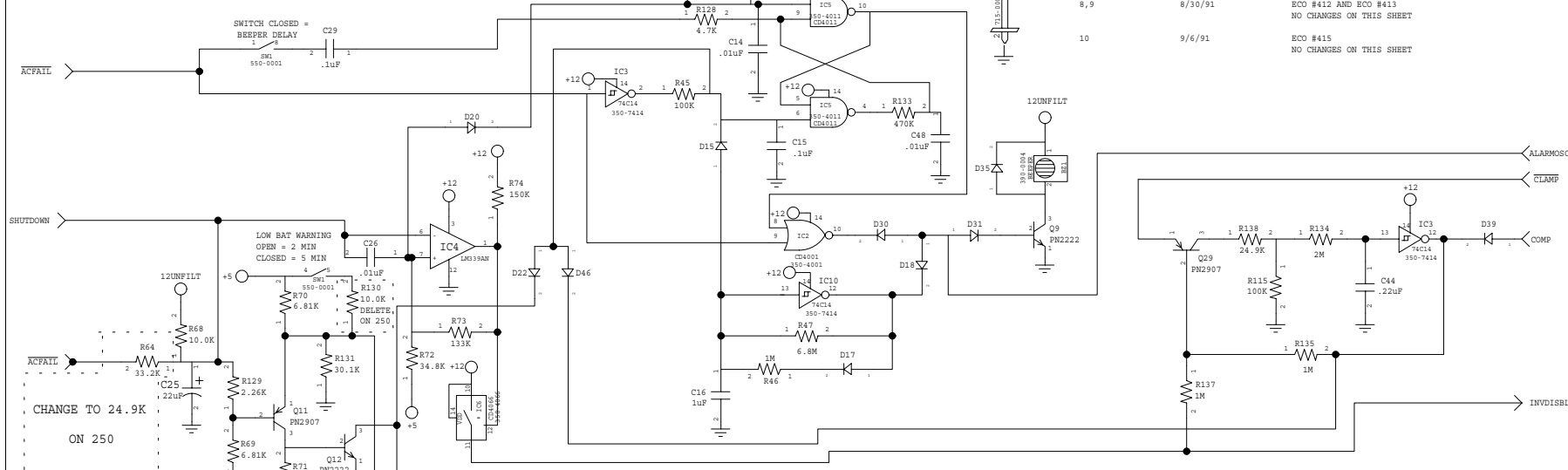
XFER VOLTS	XFER1	XFER2
196V	OPEN	OPEN
186V	CLOSED	OPEN
176V	OPEN	CLOSED
166V	CLOSED	CLOSED

AMERICAN POWER CONVERSION			
DESCRIPTION	SB208 CIRCUIT BOARD SCHEMATIC		SHEET
PRODUCT	250/400/600 INT'L BACK-UPS	APCC PART #	A
DATE	3/22/91	DWG	OS-208
BY	ESM	SCALE	E208-10
REV			10

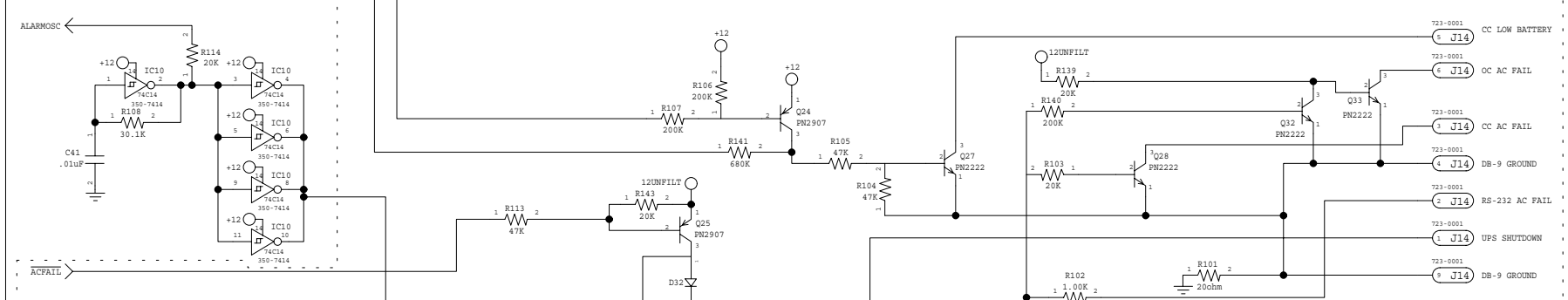
NOTES:

- 1) ALL DIODES 1N4148

REV #	DATE	REVISION
7	7/17/91	ECO #391 AND ECO #394 R138 WAS 33K IS NOW 24.9K, C44 WAS .1uF IS NOW .22uF TO MAKE CURRENT LIMIT CIRCUIT WORK WITH STABLE +12.
8,9	8/30/91	ECO #412 AND ECO #413 NO CHANGES ON THIS SHEET
10	9/6/91	ECO #415 NO CHANGES ON THIS SHEET



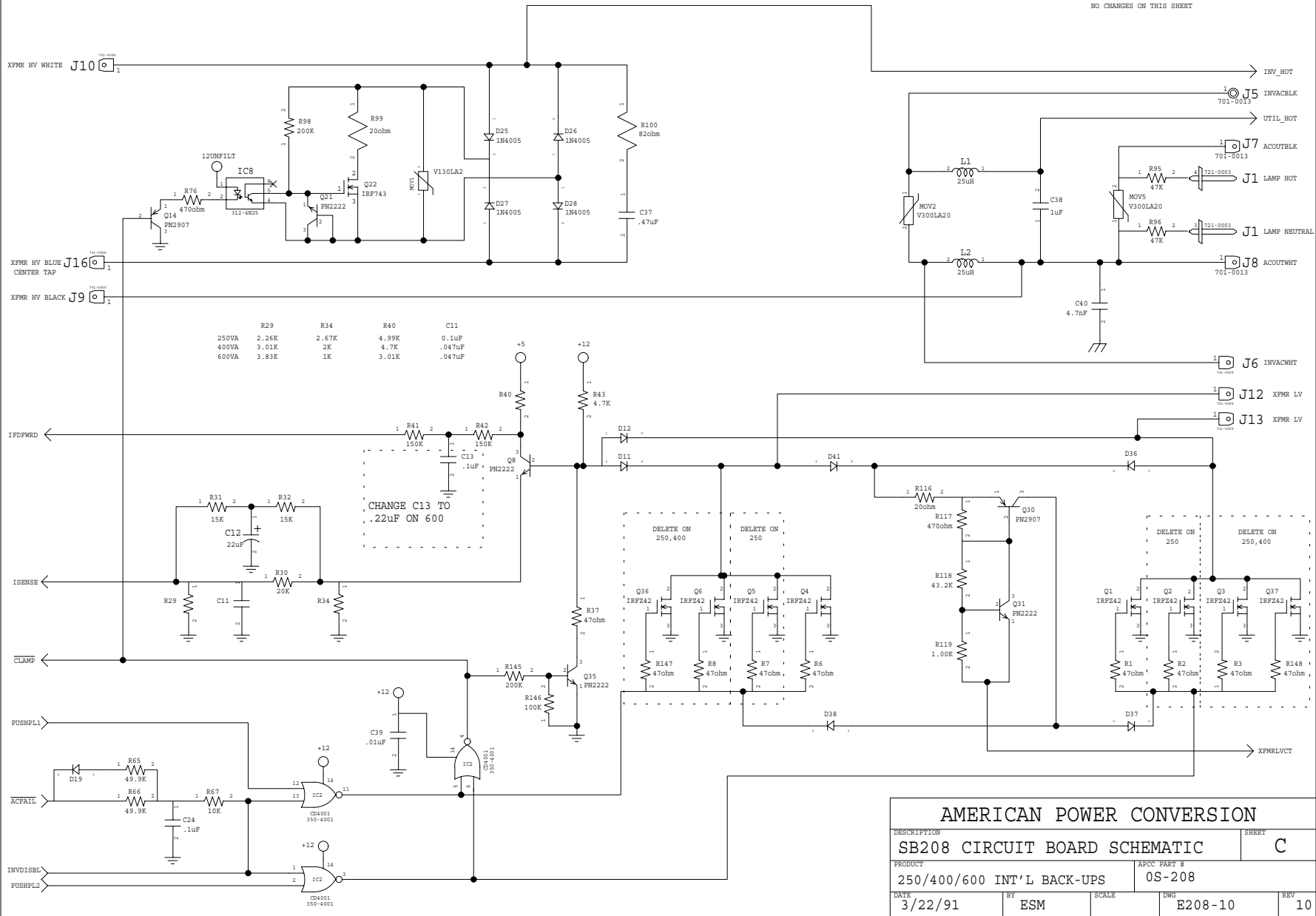
DELETE ON 250



<b>AMERICAN POWER CONVERSION</b>		723-0001
DESCRIPTION		723-0001
<b>SB208 CIRCUIT BOARD SCHEMATIC</b>		723-0001
PRODUCT	APCC PART #	723-0001
250/400/600 INT'L BACK-UPS		723-0001
DATE	BY	723-0001
3/22/91	ESM	723-0001
SCALE	DWG	723-0001
OS-208		723-0001
REV	REV	723-0001
E208-10		723-0001
10		723-0001

- NOTES: 1) ALL DIODES IN4148 UNLESS MARKED.  
 2) R99 IS MOUNTED TO CHASSIS, NOT CIRCUIT BOARD.  
 LEAD WIRES SOLDER INTO CIRCUIT BOARD  
 OR CONNECT TO BOARD VIA MTA HEADER AT  
 R99A AND R99B.

REV #	DATE	REVISION
7	7/17/91	ECO #391 AND ECO #394 NO CHANGES ON THIS SHEET
8,9	8/30/91	ECO #412 AND ECO #413 NO CHANGES ON THIS SHEET
10	9/6/91	ECO #415 NO CHANGES ON THIS SHEET



<b>AMERICAN POWER CONVERSION</b>			
DESCRIPTION SB208 CIRCUIT BOARD SCHEMATIC			SHEET C
PRODUCT 250/400/600 INT'L BACK-UPS		APCC PART # 0S-208	
DATE 3/22/91	BY ESM	SCALE	DWG E208-10
			REV 10