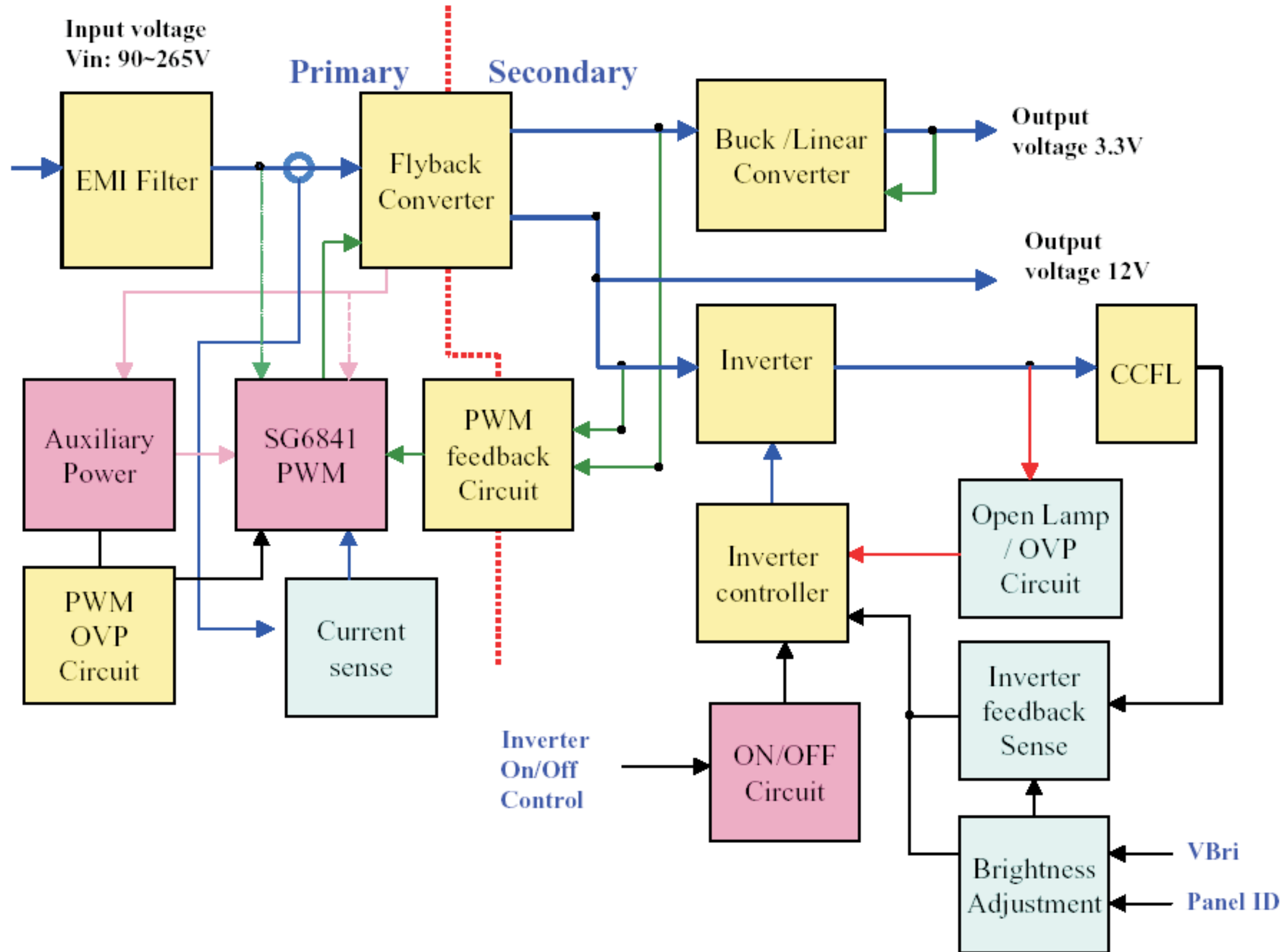
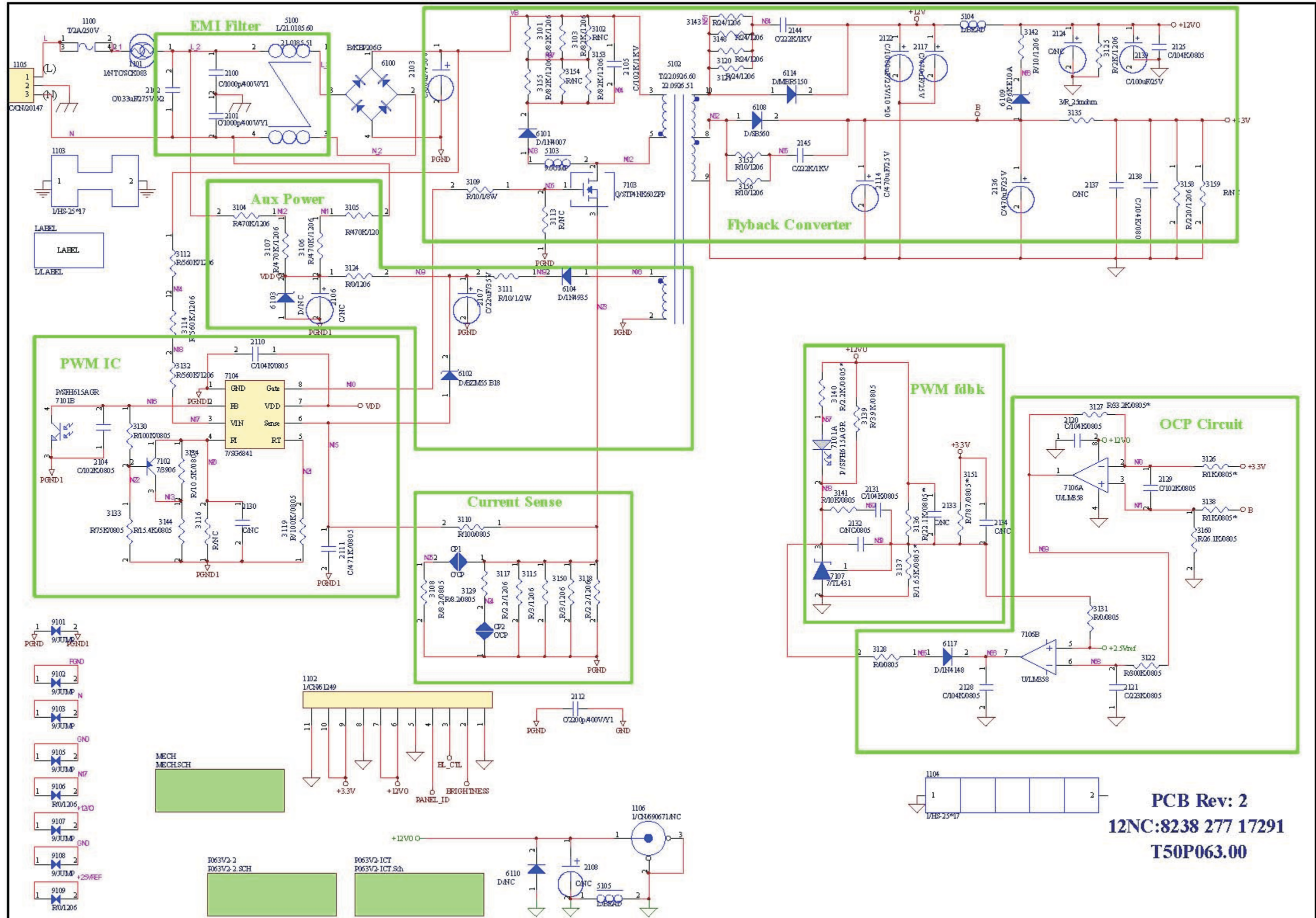


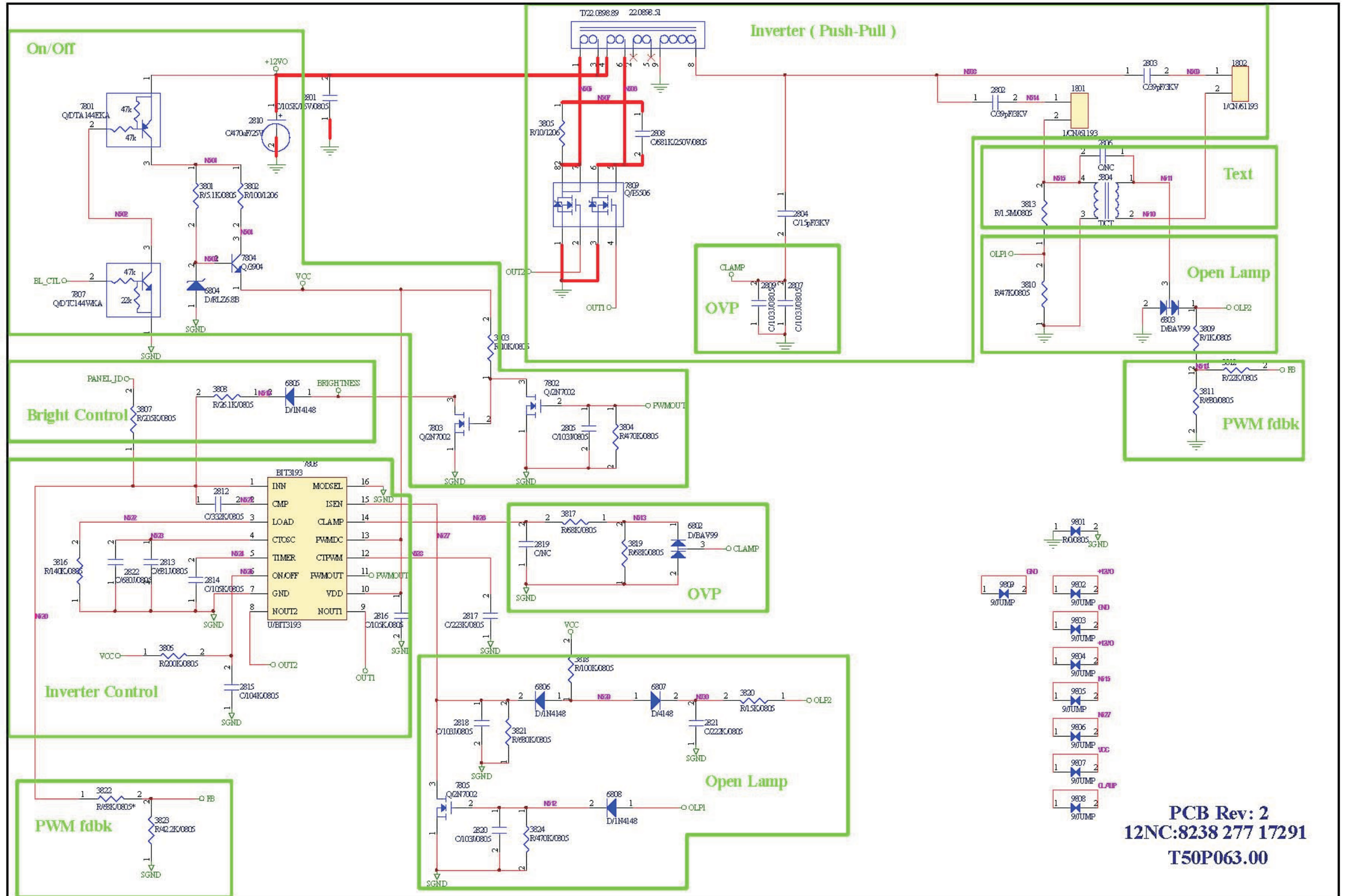
150S6 LIPS Block Diagram_Foxconn



AC/DC Function Block Schematic(Foxconn)



Inverter Function Block Schematic



PCB Rev: 2
12NC:8238 277 17291
T50P063.00

T50P063

