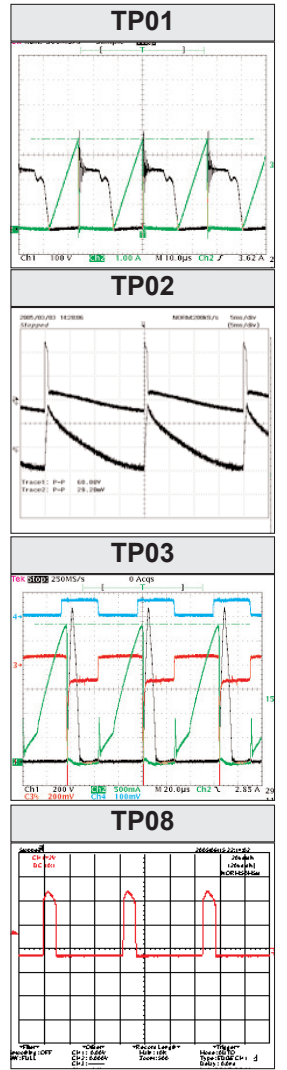
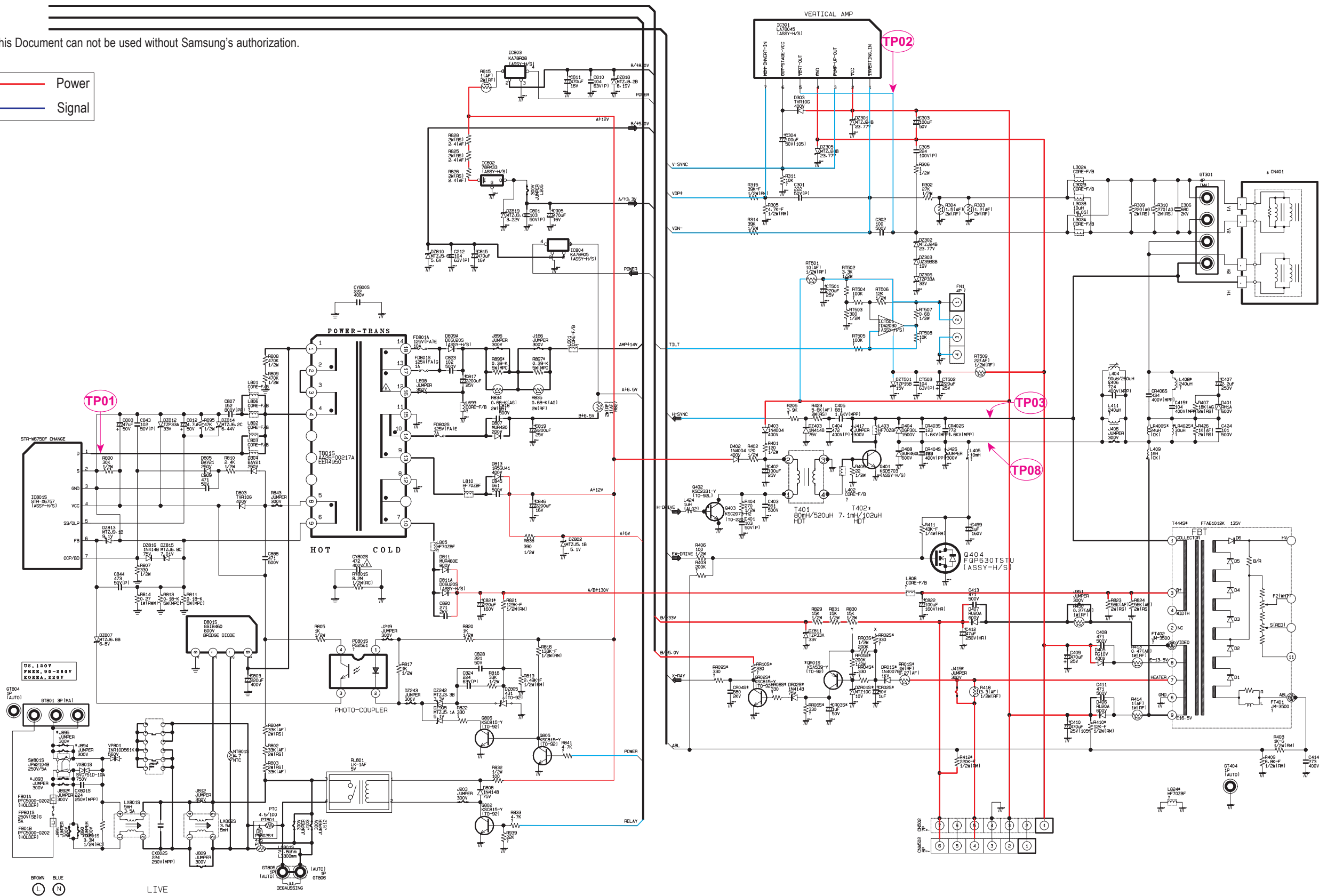
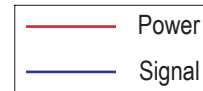


# 10. Schematic Diagram

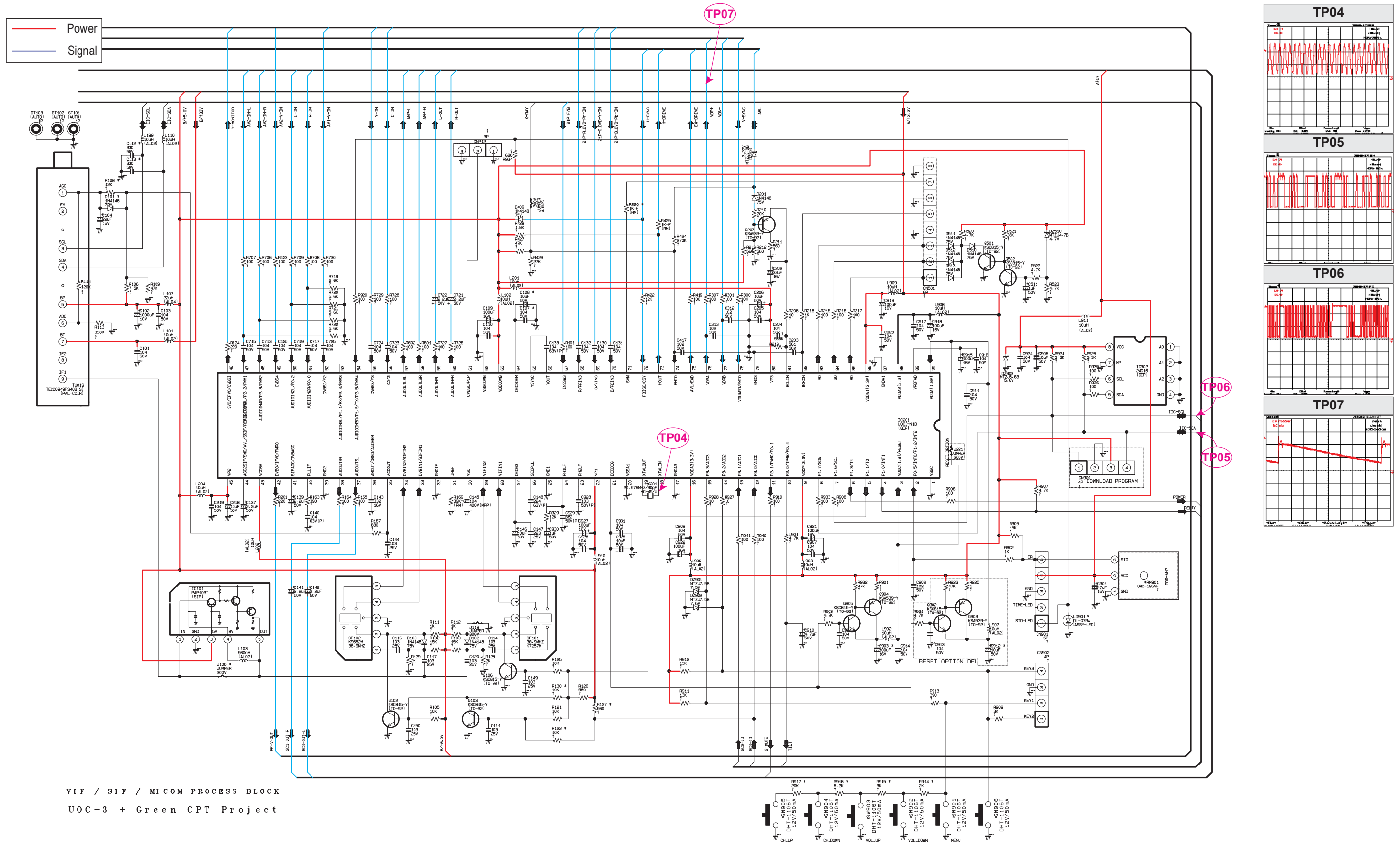
## 10-1 POWER & DEFLECTION BLOCK

This Document can not be used without Samsung's authorization.



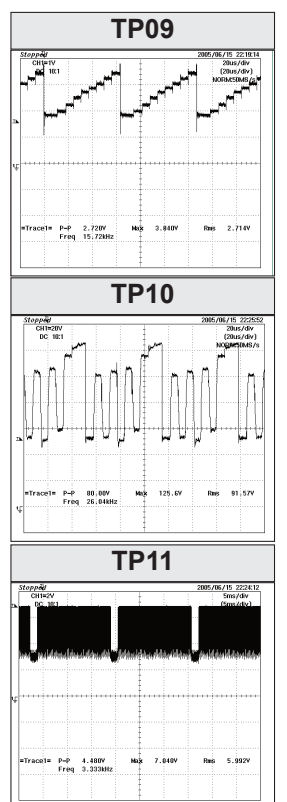
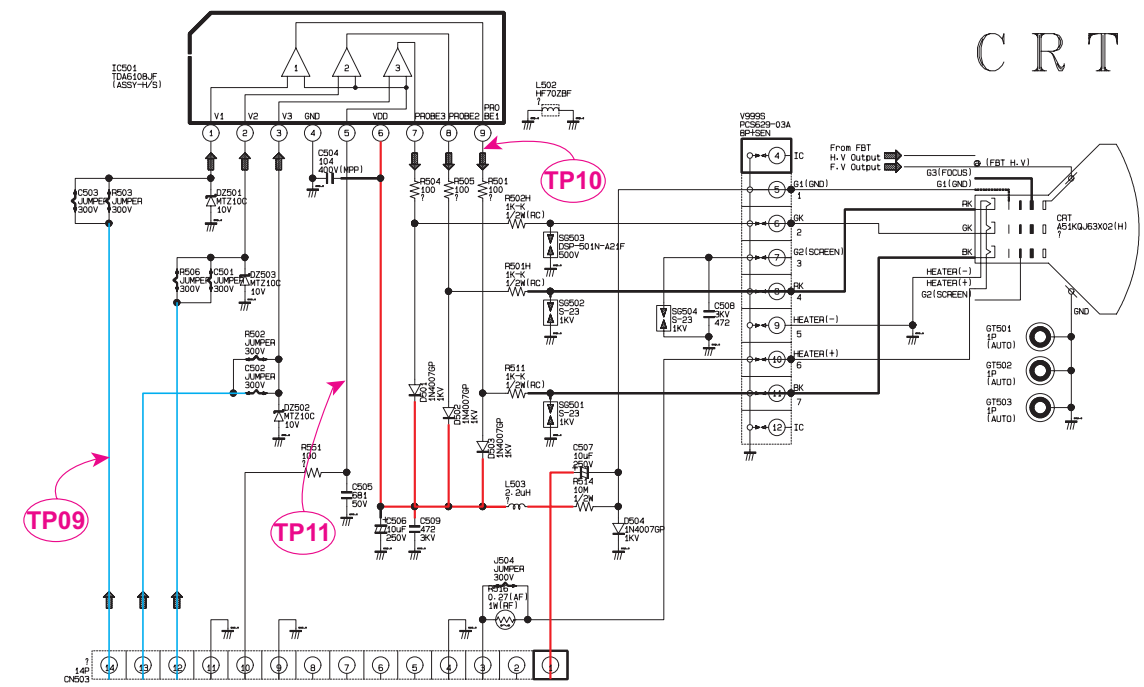
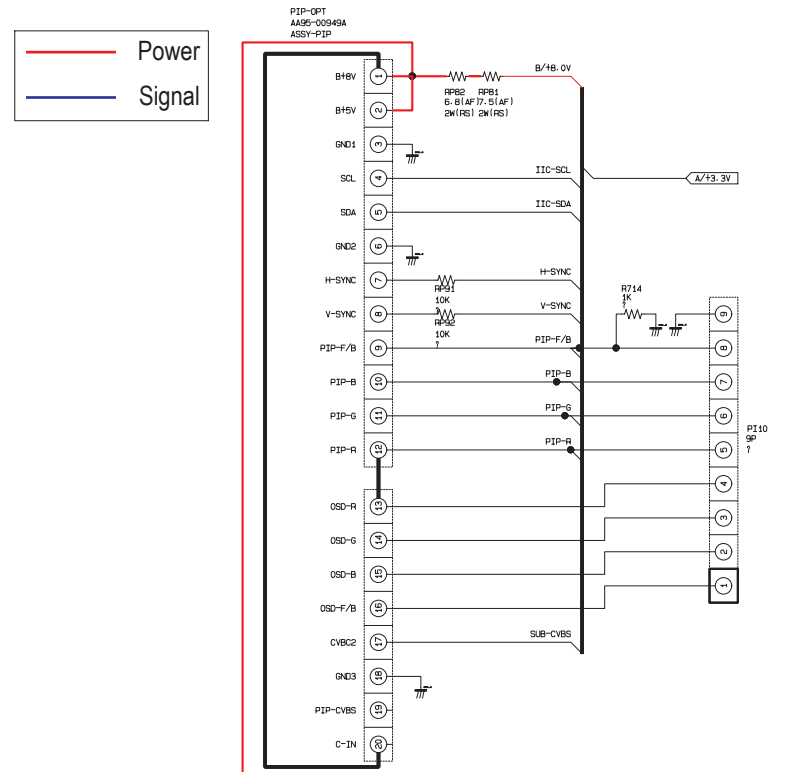
# 10-2 IF & UOC(CHROMA\_MICOM)BLOCK

This Document can not be used without Samsung's authorization.

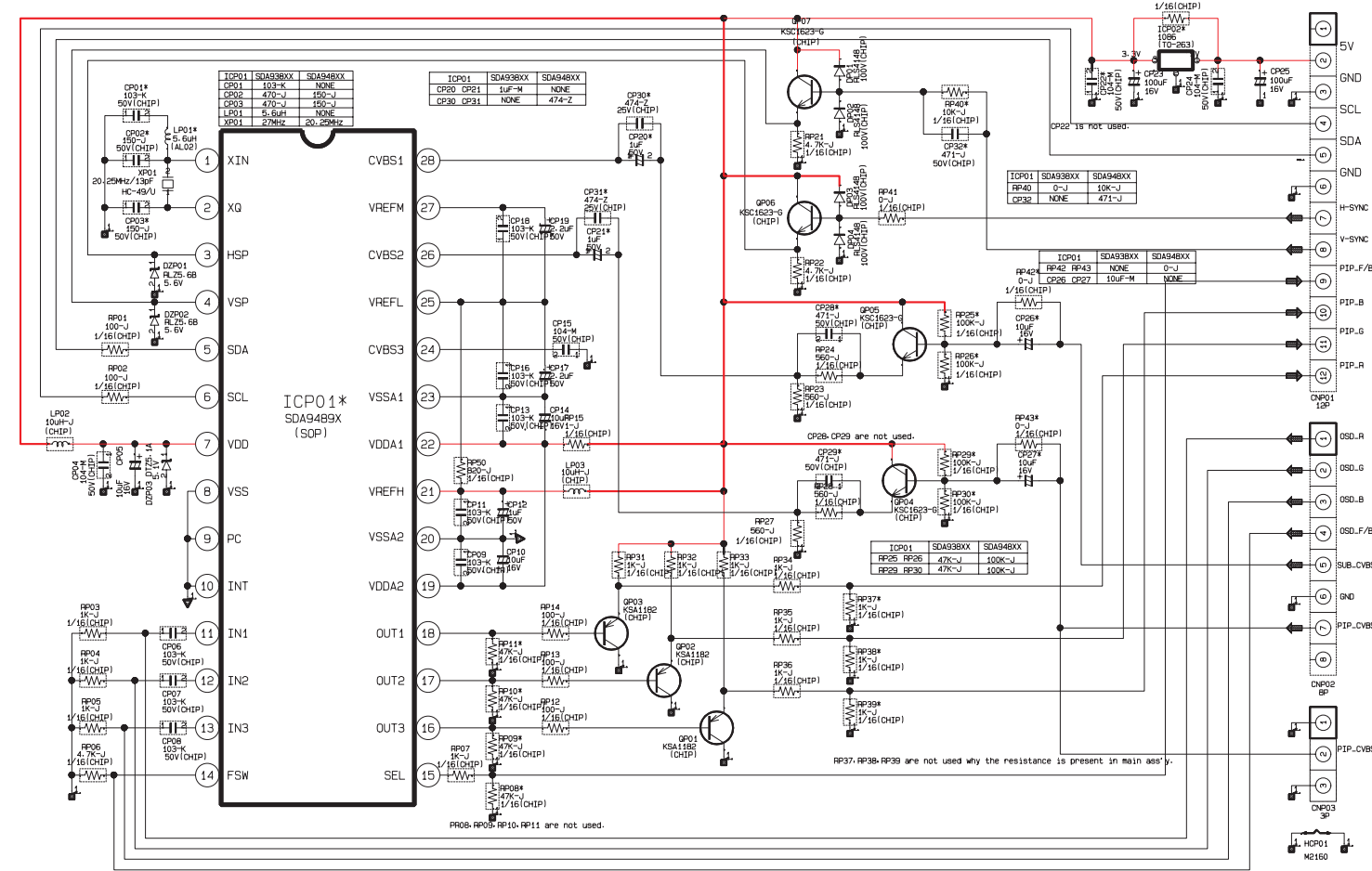


# 10-3 PIP & CRT BLOCK

This Document can not be used without Samsung's authorization.



KS2A/KS3A ASS' Y-PIP MODULE



# 10-4 AV & SOUND BLOCK

This Document can not be used without Samsung's authorization.

