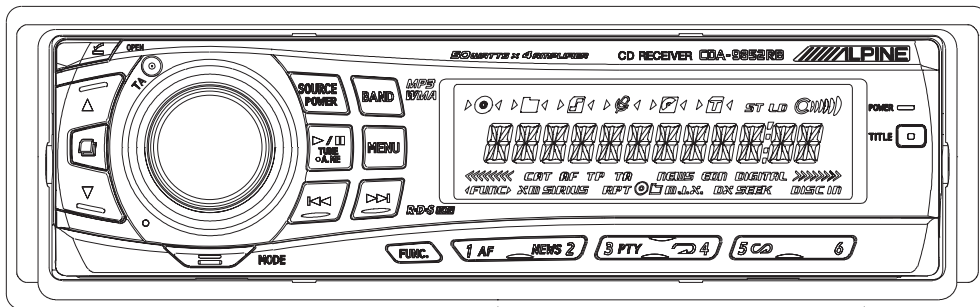


ALPINE SERVICE MANUAL

RDS MP3/WMA CD Receiver

MP3



(CDA-9852RB)

12 / 05-A
68E38999S01



CDA-9852RB/CDA-9852RR/ CDE-9850Ri

<Cautions for Safe Repair Work>



The following cautions will prevent accidents in the workplace and will ensure safe products.

*The symbols indicate caution is needed to prevent injuries and damage to property.



The symbols and their meanings follow.

 Warning	If you ignore this symbol and handle the product incorrectly or unsafely, serious injury or death may result.
 Caution	If you ignore this symbol and handle the product incorrectly or unsafely, injury or only material damage may result.



*The following symbols indicate two levels of cautions.



 When you see this symbol, you have to be very careful.	
 When you see this symbol, you have to follow the instructions there.	



Warning

 Do not look squarely into the laser light coming from the pickup. You may lose your sight.	 Fuse Caution Always use a designated fuse. Use of an incorrect fuse may result in a fire.
--	--

Caution

 Do not allow wiring to be caught in the screw/chassis. If wiring is caught in the screw/chassis, it may cause a short circuit, resulting in a fire.	 Battery Caution Use the designated battery. Confirm the correct polarity and seat of the battery. An incorrect battery or an improperly connected or seated battery may result in a fire.
---	---

 High Temperature Caution Touching the heat sink may cause severe burns.	 Designated Parts Caution Look up the part list and ensure that only designated parts are used to prevent problems or accidents.
---	---

 Reverse Power Supply Connections or Misconnections Caution Reverse power supply connections or misconnections may cause ignition problems and smoke may result.	 Wiring Caution Ensure that the wiring is correct when rewiring to prevent problems with ignition/breakdown.
---	---

 Soldering Caution Hot solder from solder splash may cause severe burns.	 Wear Gloves Wear gloves to prevent electrical shocks or injury from the end face of the metal.
---	--

Contents

Packing Assembly Parts List	4
Packing Method View	4
Specifications	5 to 7
Extension Cable	8
Block Diagram	9 , 10
Parts Layout on P.W.Boards and Wiring Diagram	11 to 15
Schematic Diagram	16 to 23
Terminal Voltage of IC/TR	24 to 43
Description of IC Terminal	44 to 47
Exploded View (Cabinet)	48
Exploded View (CD Deck Mechanism) (DP23S8DA)	49

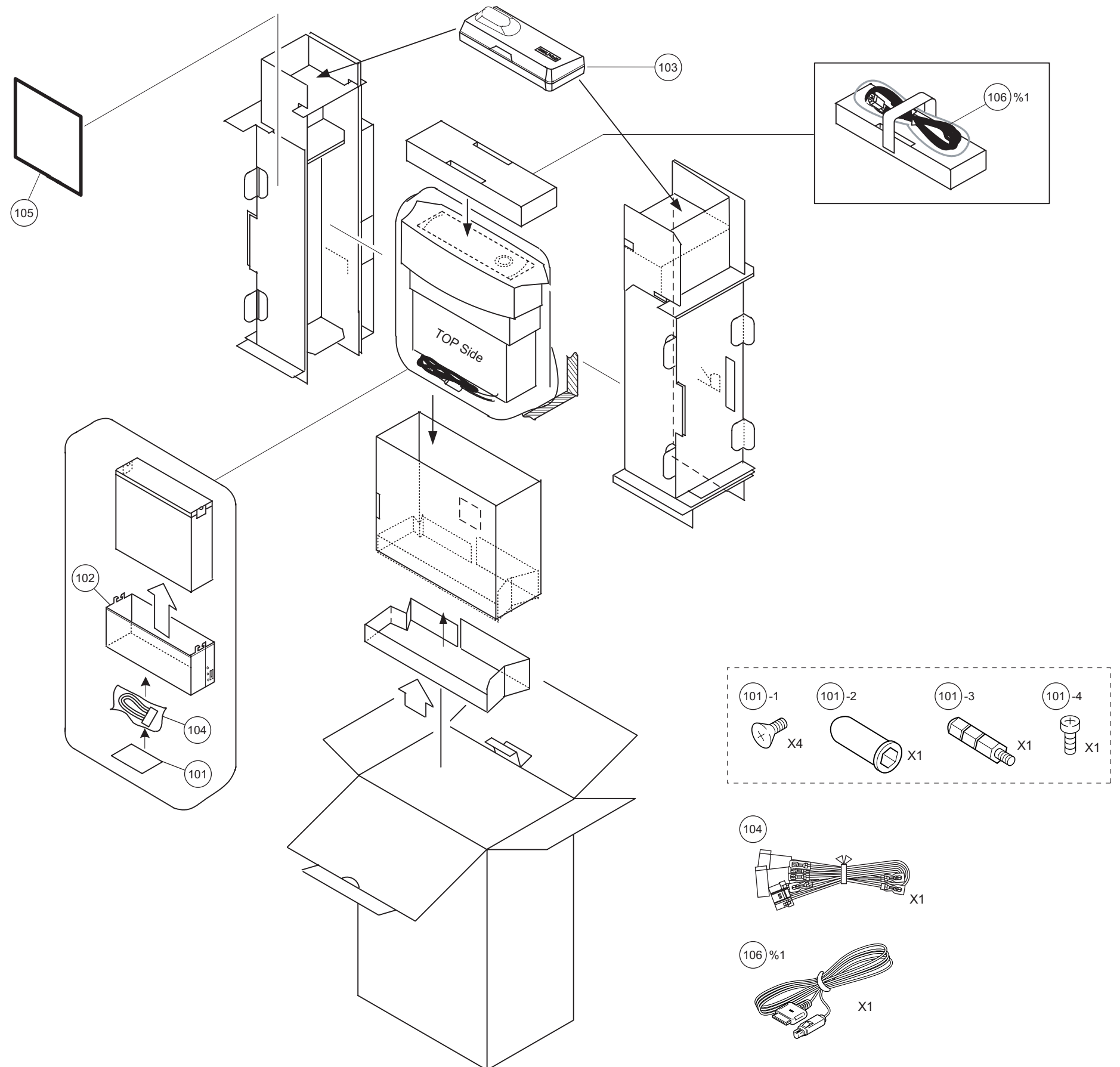
NOTE : Due to continuing product improvement, specifications and designs are subject to change without notice.

Packing Assembly Parts List

Packing Method View

Symbol No.	Part No.	Description
101-1	03S60820Y16	SCR,MCH 5X8 ZN A
101-2	36A02449K01	CAP,RUBBER(A)
101-3	03A60836Y01	SCR,CUS 5X7 ZN A
101-4	03S70691Y11	SCR,B-T 1.7X8 ZB A
102	15D00529K02	CASE,INNER
103	15D01798K03	CARRYING,CASE
104	09-02252Z01	ASSY,ANIC-0007-01B
#1 105	68-04123Z53	O/M AOEU AOTA
\$1 105	68-04123Z53	O/M AOEU AOTA
%1 105	68-04123Z56	O/M AOEU AOTA
%1 106	09-05915Z01	ASSY,ANID-0002-02A

NOTE : #1 : For CDA-9852RB Model Only,
\$1 : For CDA-9852RR Model Only,
%1 : For CDE-9850Ri Model Only,
Others:Common.



Specifications

< FM RADIO >

Intermediate Frequency	10.7±0.1MHz
Frequency Range	87.5 to 108.0MHz
Usable Sensitivity (30dB S/N, Mono, at 98.1MHz)	20.2dBf
-3dB Limiting Sensitivity (at 98.1MHz)	20.2dBf
Residual Noise (Ref. 400Hz, at 98.1MHz)	25±10dB
S/N Ratio (at 98.1MHz)	Stereo : 50dB Mono : 55dB
Image Rejection (at 106.1MHz)	50dB
IF Rejection (at 90.1MHz)	50dB
Distortion (Input 60dBu, at 98.1MHz)	1.0%
Frequency Response (Ref. 400Hz, at 98.1MHz)	100Hz : 0±3dB 10kHz : -11±3dB
Stereo Separation (1kHz, at 98.1MHz)	20dB
PS Sensitivity (at 98.1MHz)	36.2dBf

< MW RADIO >

Intermediate Frequency	1st : 10.7MHz 2nd : 450kHz
Frequency Range	531 to 1,602kHz
Usable Sensitivity (20dB S/N, at 999kHz)	35dB
S/N Ratio (at 999kHz)	44dB
Image Rejection (2nd IF, at 1,404kHz)	50dB
IF Rejection (2nd IF, at 603kHz)	40dB
Distortion (at 999kHz)	1.0%
Frequency Response (Ref. 400Hz, at 999kHz)	100Hz : -1 +3/-5dB 4kHz : -12 +6/-8dB

< LW RADIO >

Intermediate Frequency	1st : 10.7MHz 2nd : 450kHz
Frequency Range	153 to 281kHz
Usable Sensitivity (20dB S/N, at 216kHz)	42dB
S/N Ratio (at 216kHz)	40dB
Image Rejection (2nd IF, at 270kHz)	40dB
IF Rejection (2nd IF, at 162kHz)	50dB
Distortion (at 216kHz)	1.5%
Frequency Response (Ref. 400Hz, at 216kHz)	100Hz : -1 +4/-5dB 4kHz : -12 +6/-8dB

< CD SECTION >

System	Optical (Compact Disc System)
Channel Balance (1kHz)	CD : TCD-782 : 0±3dB MP3 : SCD-5100 (FOLDER4-128kbps) : 0±3dB WMA : SCD-5100 (FOLDER10-128kbps) : 0±3dB
Distortion (1kHz)	CD : TCD-782 : 0.3% MP3 : SCD-5100 (FOLDER4-128kbps) : 0.3% WMA : SCD-5100 (FOLDER10-128kbps) : 0.3%

**CDA-9852RB/CDA-9852RR/
CDE-9850Ri**

Frequency Response (Ref. 1kHz, 0dB)	CD : TCD-782 : 17Hz : 0±3dB 127Hz : 0±2dB 10.007kHz : 0±2dB 19.997kHz : -1±4dB MP3 : SCD-5100 (FOLDER4-128kbps) : 17Hz : 0±3dB 127Hz : 0±2dB 10.007kHz : 0±2dB 19.997kHz : -1±4dB WMA : SCD-5100 (FOLDER10-128kbps) : 17Hz : 0±3dB 127Hz : 0±2dB 10.007kHz : 0±2dB 19.997kHz : -1±4dB
S/N Ratio	CD : TCD-782 : 85dB MP3 : SCD-5100 (FOLDER4-128kbps) : 85dB WMA : SCD-5100 (FOLDER10-128kbps) : 85dB
Separation (1kHz)	CD : TCD-782 : 55dB MP3 : SCD-5100 (FOLDER4-128kbps) : 55dB WMA : SCD-5100 (FOLDER10-128kbps) : 55dB
De-Emphasis (Ref. 1kHz, 0dB)	CD : TCD-782 : 4kHz : -20±3dB 16kHz : -20±3dB

< CD Deck Mechanism >

Test Disc	CD-DA : ALMEDIO* TCD-782 CD-R : ALMEDIO* TCD-R082LMR CD-RW : ALMEDIO* TCD-W082W / TCD-W082L / TCD-W082H (* Former maker name : A-BEX, New maker name : ALMEDIO)
RF Waveform Amplitude	1.2±0.5Vp-p
Quantity of Jitter	Less than 30nsec
Measurement Angle Range	Front and Rear : -15°~75° Right and Left : ±45°
Laser Current	Initial value ±5mA (The initial value of laser current is indicated on the Flexible Cable.)

< Pickup >

Wave Length	795nm
Laser Power	CLASS I

< GENERAL >

Power Supply	DC14.4V
Power Output (TCD-782 (1kHz, 0dB), T.H.D. 10%) / Impedance	18W / ch / 4 ohm
Pre Output (TCD-782 (1kHz, 0dB), T.H.D. 1%) / Impedance	6 +3/-2dBV / ch / 10k ohm
Back Up Current (ACC OFF After 1 minute)	5mA
Dimensions (W x H x D)	Chassis : 178 x 50 x 162mm Nose : 188 x 58 x 23.3mm
Weight	1.6kg

NOTE : Due to Continuing product improvement, specifications and designs are subject to change without notice.

**CDA-9852RB/CDA-9852RR/
CDE-9850Ri**

< Special DISC Playability >

	Item	Use DISC	Initial performance standard
CD-DA	Standard disc	ALMEDIO* TCD-782	Most inner and most outer reproduce, and there must not be skip and noise.
	Eccentric disc	ALMEDIO* TCD-713R	Most inner and most outer reproduce, and there must not be skip and noise.
	Vertical deviation disc	ALMEDIO* TCD-732RA	Most outer reproduces, and there must not be skip and noise.
	Scratch disc	ALMEDIO* TCD-721R	Tr.6(1.2mm) reproduces, and there must not be skip and noise. (except for Interpolation noise)
	Black dot disc	ALMEDIO* TCD-725B or 726	Tr.7(0.4mm) reproduces, and there must not be skip and noise. (except for Interpolation noise)
	Fingerprint disc	ALMEDIO* TCD-725B or 726	Tr.13(ø65µm) reproduces, and there must not be skip and noise. (except for Interpolation noise)
CD-R	Standard disc	ALMEDIO* TCD-R082LMR	Most inner and most outer reproduce, and there must not be skip and noise.
CD-RW	Standard disc (Low reflection)	ALMEDIO* TCD-W082L	Most inner and most outer reproduce, and there must not be skip and noise.
	Standard disc (Standard reflection)	ALMEDIO* TCD-W082W	
	Standard disc (High reflection)	ALMEDIO* TCD-W082H	

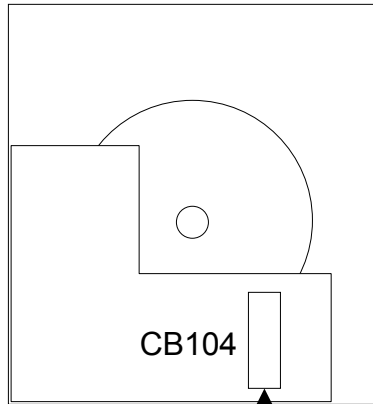
(* Former maker name : A-BEX, New maker name : ALMEDIO)

Extension Cable

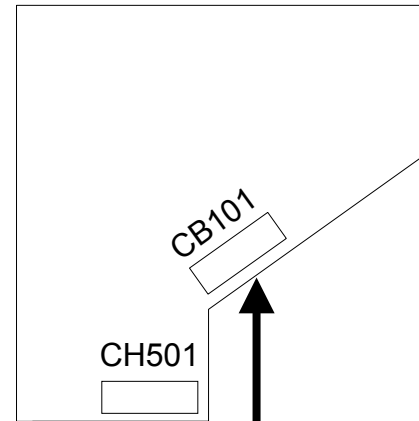
CDA-9852RB/CDA-9852RR/
CDE-9850Ri

*Always connect the Extension Cable when making checks of voltage and repair.

CD Deck Mechanism
(DP23S8DA)



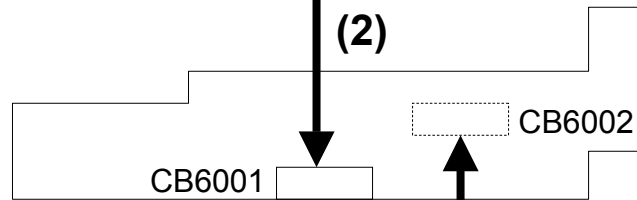
MAIN P.W.Board



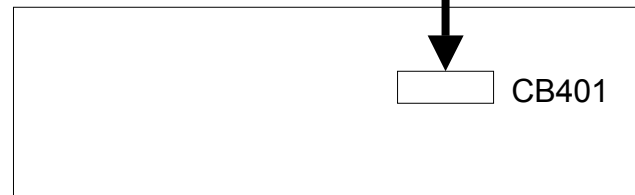
(1)

(2)

(3)



ESC P.W.Board



FRONT P.W.Board

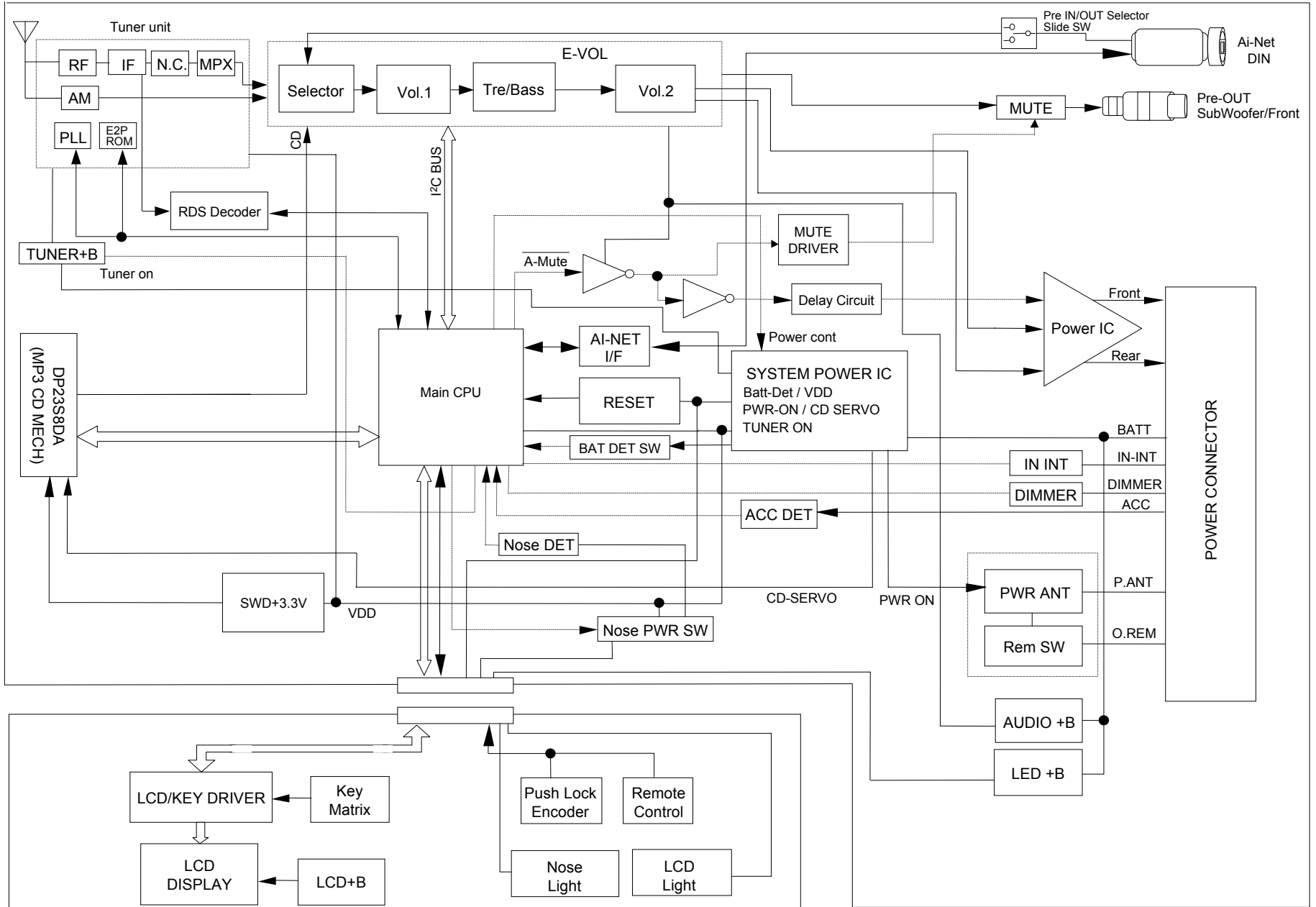
(1) 01E29616S01

(2) 01V35647S01

(3) 01V39192S01

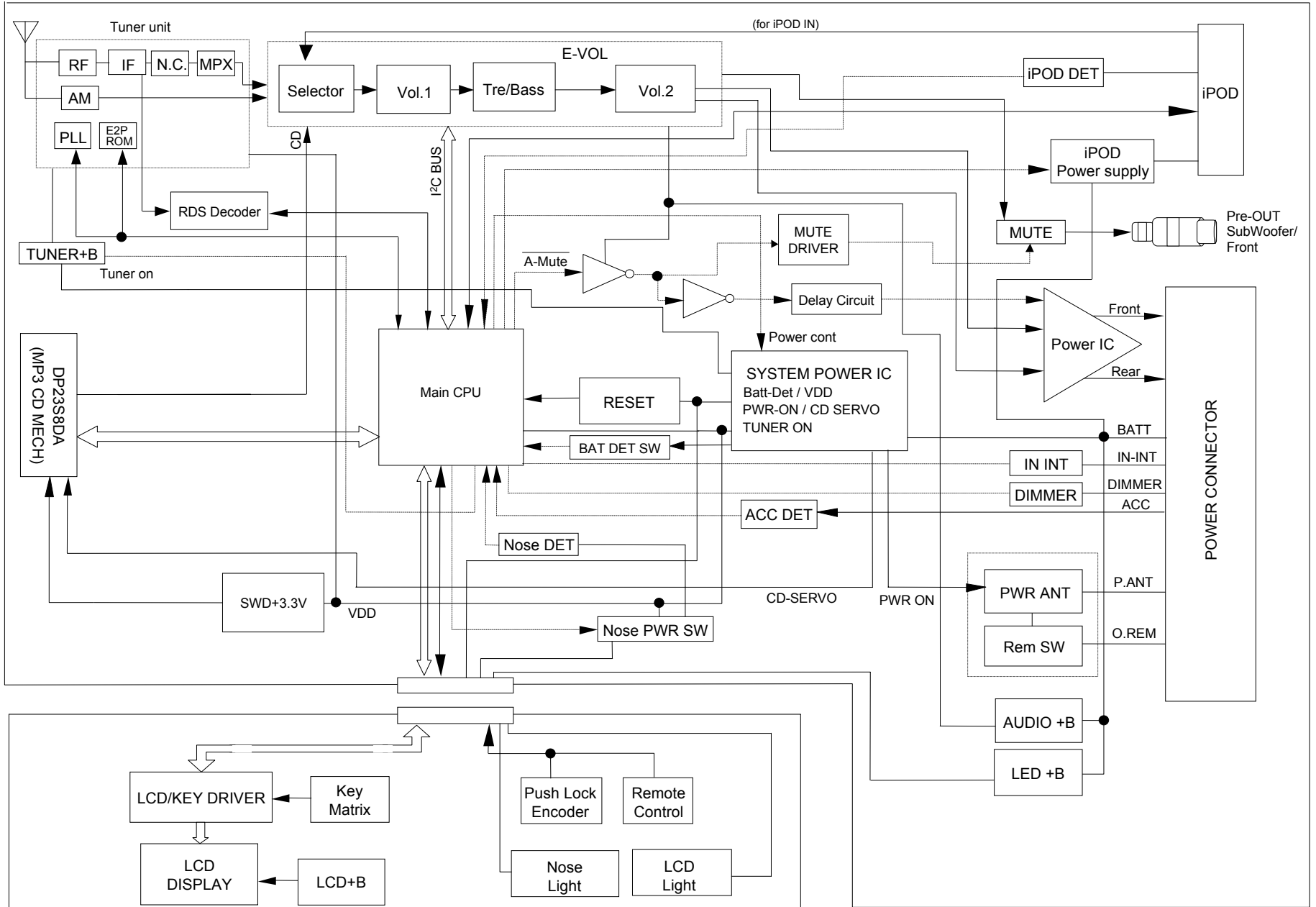
Block Diagram (CDA-9852RB/CDA-9852RR Model Only)

CDA-9852RB/CDA-9852RR/
CDE-9850Ri



Block Diagram (CDE-9850Ri Model Only)

CDA-9852RB/CDA-9852RR/
CDE-9850Ri

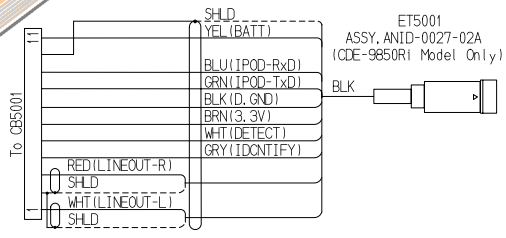
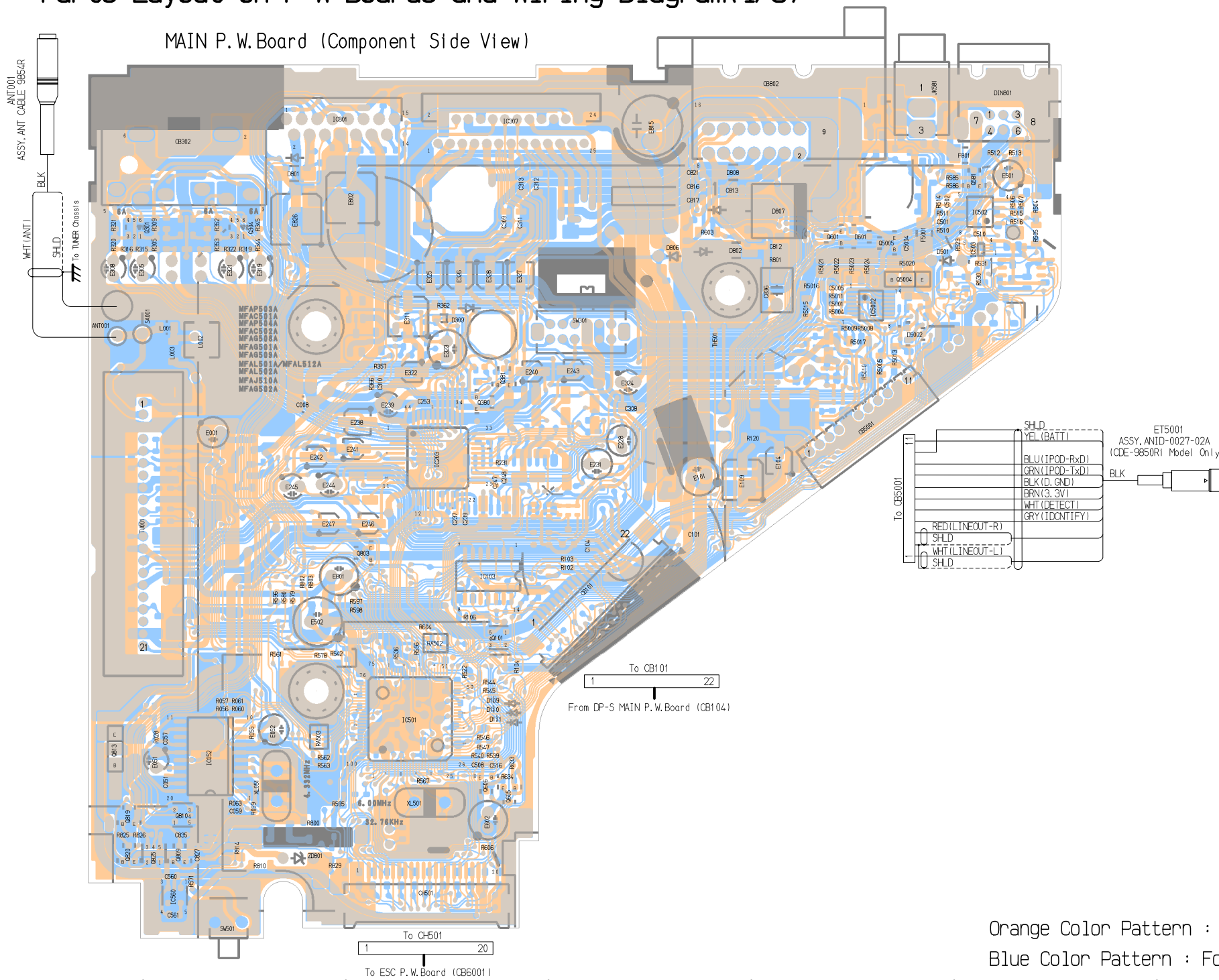


Parts Layout on P.W. Boards and Wiring Diagram(1/5)

CDA-9852RB/CDA-9852RR/
CDE-9850RI

MAIN P.W.Board (Component Side View)

1
2
3
4
5



CDA-9852RB	CDE-9850RI	CDA-9852RR
N.U.	C5001	N.U.
N.U.	C5004	N.U.
N.U.	C5005	N.U.
C501	N.U.	C501
C502	N.U.	C502
C510	N.U.	C510
N.U.	CB5001	N.U.
N.U.	D5002	D501
D501	N.U.	D501
DIN801	N.U.	DIN801
E305	N.U.	E305
E308	N.U.	E308
N.U.	N.U.	E501
N.U.	F5001	N.U.
F801	N.U.	F801
N.U.	IC5002	N.U.
IC502	N.U.	IC502
IC503	N.U.	IC503
Q301	N.U.	Q301
N.U.	Q5004	N.U.
N.U.	Q5005	N.U.
R305	N.U.	R305
R309	N.U.	R309
R315	N.U.	R315
R316	N.U.	R316
R320	N.U.	R320
R321	N.U.	R321
N.U.	R5004	N.U.
N.U.	R5005	N.U.
N.U.	R5008	N.U.
N.U.	R5009	N.U.
N.U.	R5010	N.U.
N.U.	R5011	N.U.
N.U.	R5013	N.U.
N.U.	R5015	N.U.
N.U.	R5016	N.U.
N.U.	R5017	N.U.
N.U.	R5020	N.U.
N.U.	R5021	N.U.
N.U.	R5022	N.U.
N.U.	R5023	N.U.
N.U.	R5024	N.U.
R504	N.U.	R504
R505	N.U.	R505
R506	N.U.	R506
R507	N.U.	R507
R510	N.U.	R510
R511	N.U.	R511
R512	N.U.	R512
R513	N.U.	R513
R514	N.U.	R514
R515	N.U.	R515
R516	N.U.	R516
R523	N.U.	R523
R530	N.U.	R530
R531	N.U.	R531
N.U.	R546	N.U.
N.U.	R547	N.U.
NW301	N.U.	SW301

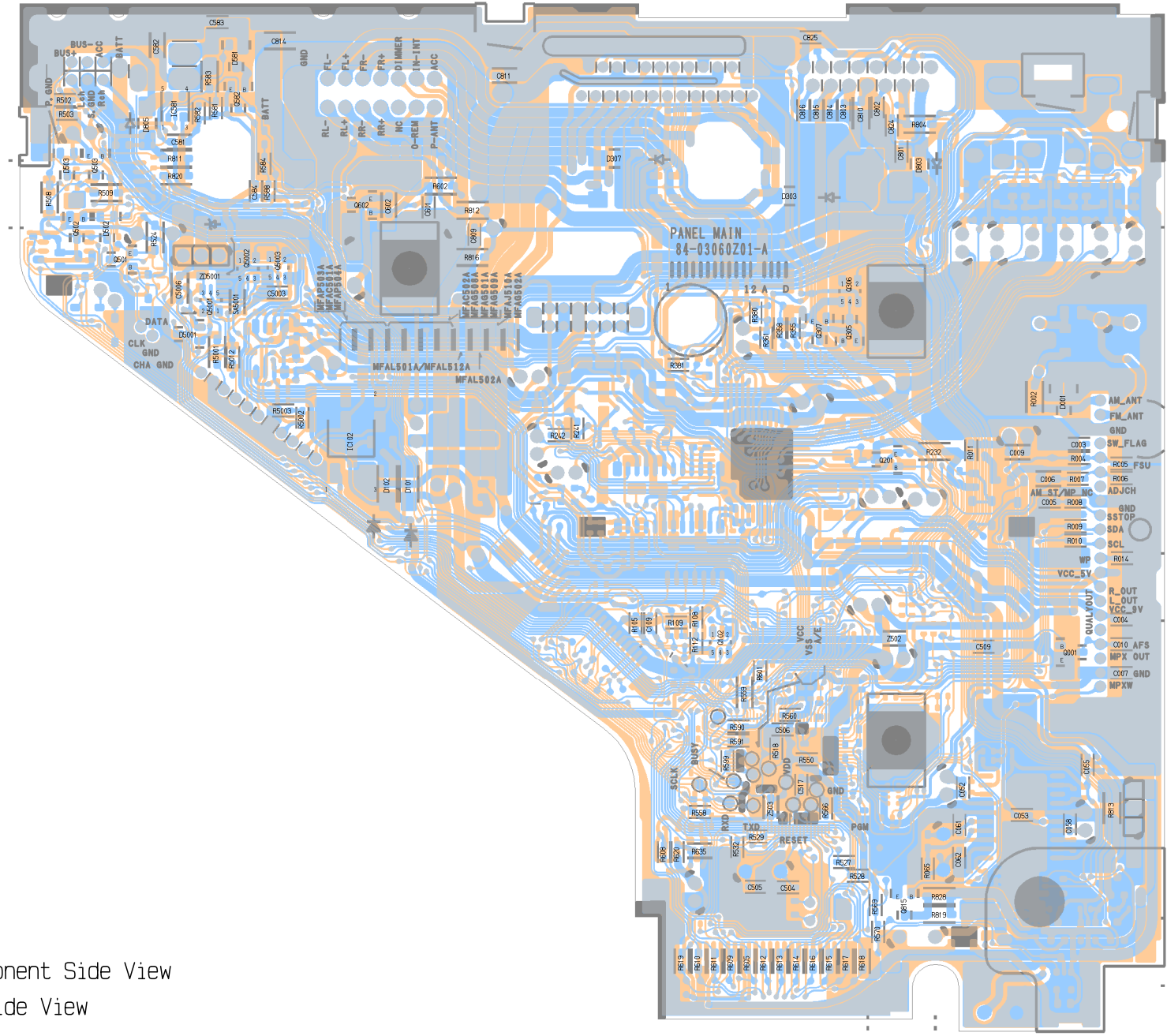
Orange Color Pattern : Component Side View
Blue Color Pattern : Foil Side View

A B C D E F G

Parts Layout on P.W. Boards and Wiring Diagram(2/5)

MAIN P.W. Board (Foil Side View)

CDA-9852RB	CDE-9850Ri	CDA-9852RR
N.U.	C5003	N.U.
N.U.	C5006	N.U.
N.U.	D5001	N.U.
D502	N.U.	D502
D503	N.U.	D503
D805	N.U.	D805
N.U.	Q5001	N.U.
N.U.	Q5002	N.U.
N.U.	Q5003	N.U.
Q501	N.U.	Q501
Q502	N.U.	Q502
Q503	N.U.	Q503
N.U.	R5001	N.U.
N.U.	R5002	N.U.
N.U.	R5003	N.U.
N.U.	R5012	N.U.
R502	N.U.	R502
R503	N.U.	R503
R508	N.U.	R508
R509	N.U.	R509
R524	N.U.	R524
N.U.	R559	N.U.
R811	N.U.	R811
R820	N.U.	R820
N.U.	SA5001	N.U.
N.U.	ZD5001	N.U.



Orange Color Pattern : Component Side View

Blue Color Pattern : Foil Side View

A

B

C

D

E

F

G

1

2

3

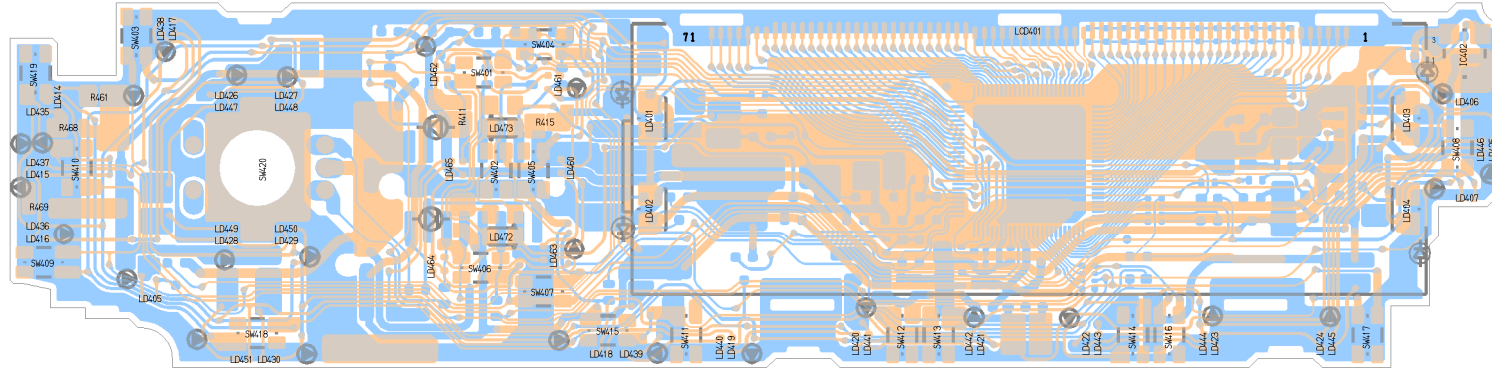
4

5

Parts Layout on P.W. Boards and Wiring Diagram(3/5)

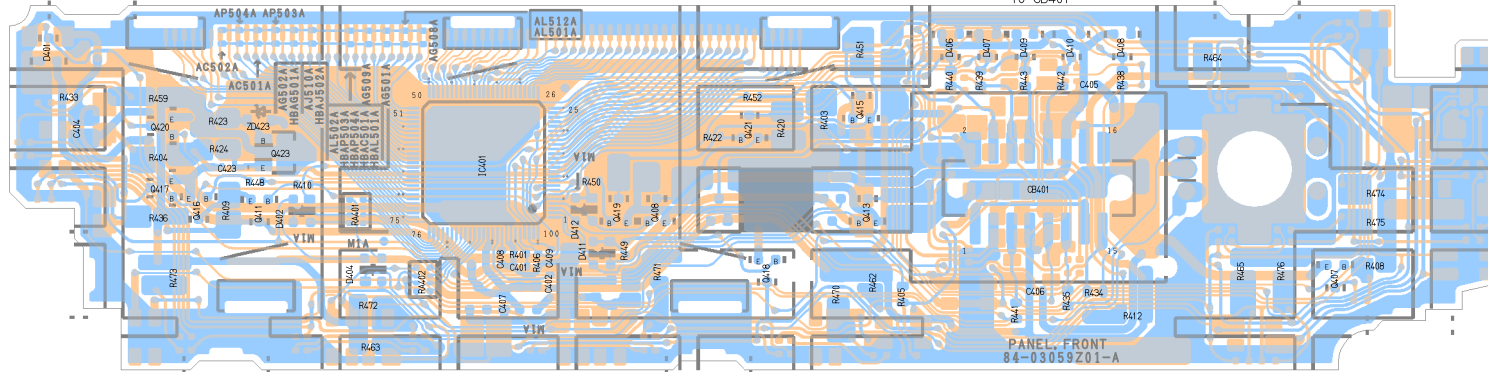
CDA-9852RB	CDE-9850Ri	CDA-9852RR
N.U.	LD407	N.U.
N.U.	LD414	LD414
N.U.	LD415	LD415
N.U.	LD416	LD416
N.U.	LD417	LD417
N.U.	LD418	LD418
N.U.	LD419	LD419
N.U.	LD420	LD420
N.U.	LD421	LD421
N.U.	LD422	LD422
N.U.	LD423	LD423
N.U.	LD424	LD424
N.U.	LD425	LD425
N.U.	LD426	LD426
N.U.	LD427	LD427
N.U.	LD428	LD428
N.U.	LD429	LD429
N.U.	LD430	LD430
LD435	LD435	N.U.
LD436	LD436	N.U.
LD437	LD437	N.U.
LD438	LD438	N.U.
LD439	LD439	N.U.
LD440	LD440	N.U.
LD441	LD441	N.U.
LD442	LD442	N.U.
LD443	LD443	N.U.
LD444	LD444	N.U.
LD445	LD445	N.U.
LD446	LD446	N.U.
LD447	LD447	N.U.
LD448	LD448	N.U.
LD449	LD449	N.U.
LD450	LD450	N.U.
LD451	LD451	N.U.
N.U.	LD460	LD460
N.U.	LD461	LD461
N.U.	LD462	LD462
N.U.	LD463	LD463
N.U.	LD464	LD464
N.U.	LD465	LD465
LD472	LD472	N.U.
LD473	LD473	N.U.
N.U.	R411	R411
R415	R415	N.U.
N.U.	R461	R461
R468	R468	N.U.
R469	R469	N.U.

FRONT P.W.Board (Component Side View)



From ESC P.W.Board (CB6002)

FRONT P.W.Board (Foil Side View)



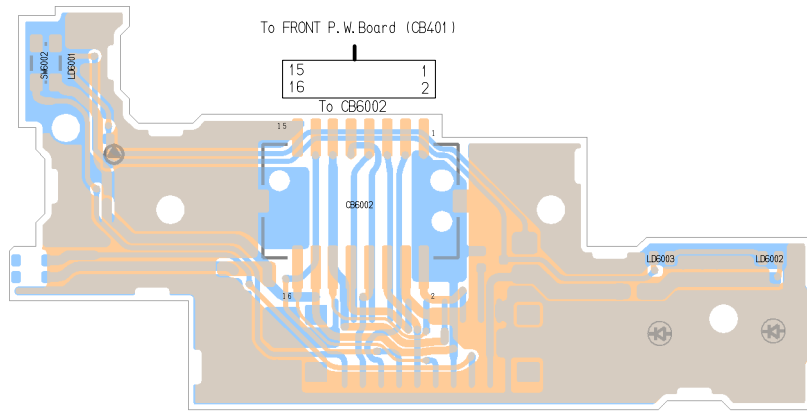
CDA-9852RB	CDE-9850Ri	CDA-9852RR
N.U.	D411	D411
D412	D412	N.U.
Q408	Q408	N.U.
N.U.	Q413	Q413
N.U.	Q415	N.U.
N.U.	Q417	N.U.
N.U.	Q418	Q418
Q419	Q419	N.U.
Q421	Q421	N.U.
N.U.	R412	R412
R420	R420	N.U.
R422	R422	N.U.
N.U.	R436	N.U.
N.U.	R449	R449
R450	R450	N.U.
R451	R451	N.U.
N.U.	R452	N.U.
N.U.	R462	R462
N.U.	R463	R463
N.U.	R464	R464
N.U.	R465	R465
R470	R470	N.U.
R471	R471	N.U.
R472	R472	N.U.
R473	R473	N.U.
R474	R474	N.U.
R475	R475	N.U.
R476	R476	N.U.

Orange Color Pattern : Component Side View

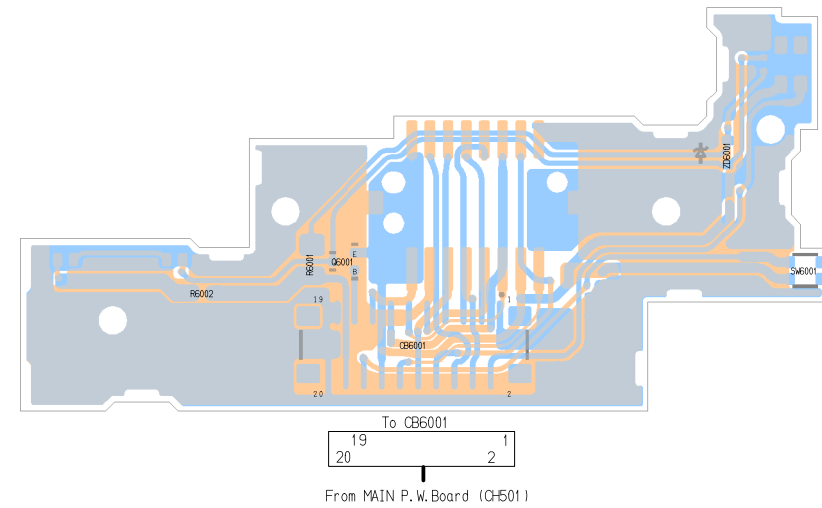
Blue Color Pattern : Foil Side View

1
2
3
4
5

ESC P.W.Board (Component Side View)



ESC P.W.Board (Foil Side View)

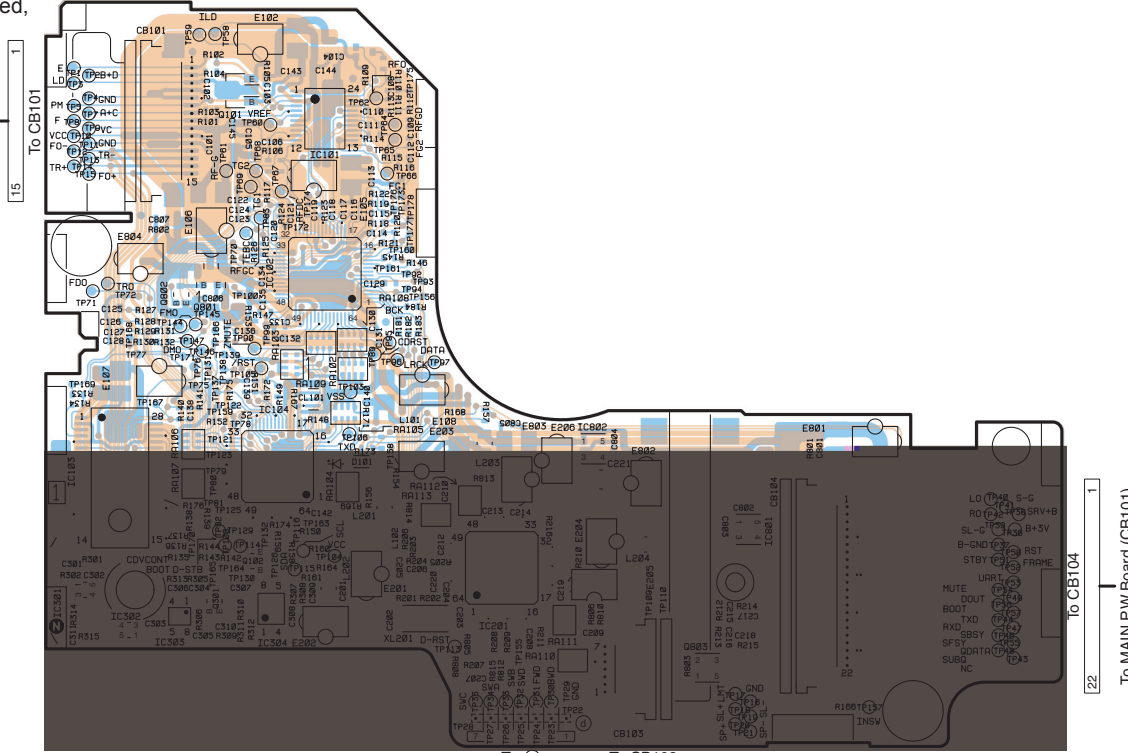
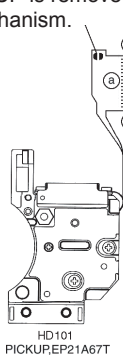


Orange Color Pattern : Component Side View
Blue Color Pattern : Foil Side View

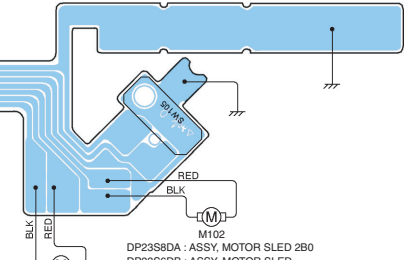
A | B | C | D | E | F | G

DP-S MAIN P.W.Board (Foil Side View)

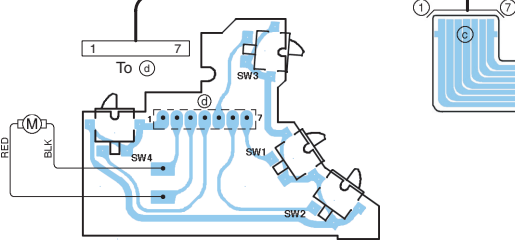
The patterns should be short-circuited, when the PICKUP is removed from DP-S Mechanism.



FPC,CONT P.W.Board (Foil Side View)



DP-S Switch P.W.Board (Foil Side View)



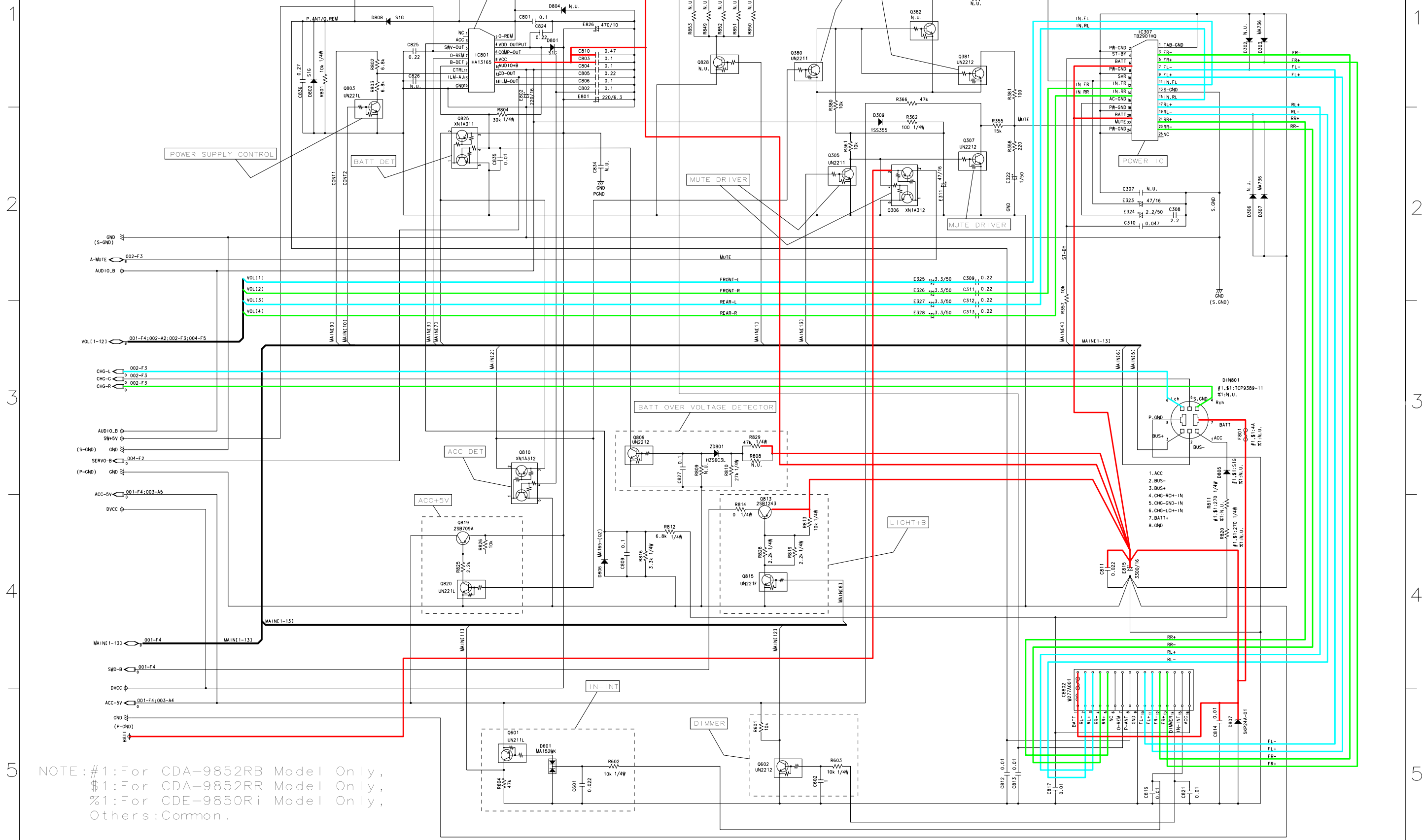
M102
DP23S8DA : ASSY, MOTOR SLED 2B0
DP23S6DB : ASSY, MOTOR SLED
(3.5V-80mA)

M103
DP23S8DA : ASSY, MTR SPINDLE 2B0
DP23S6DB : ASSY, MOTOR SPINDLE
(3V-90mA)

Orange Color Pattern:Component Side Pattern
Blue Color Pattern:Foil Side Pattern

Schematic Diagram(3/8)

CDA-9852RB/CDA-9852RR/
CDE-9850Ri

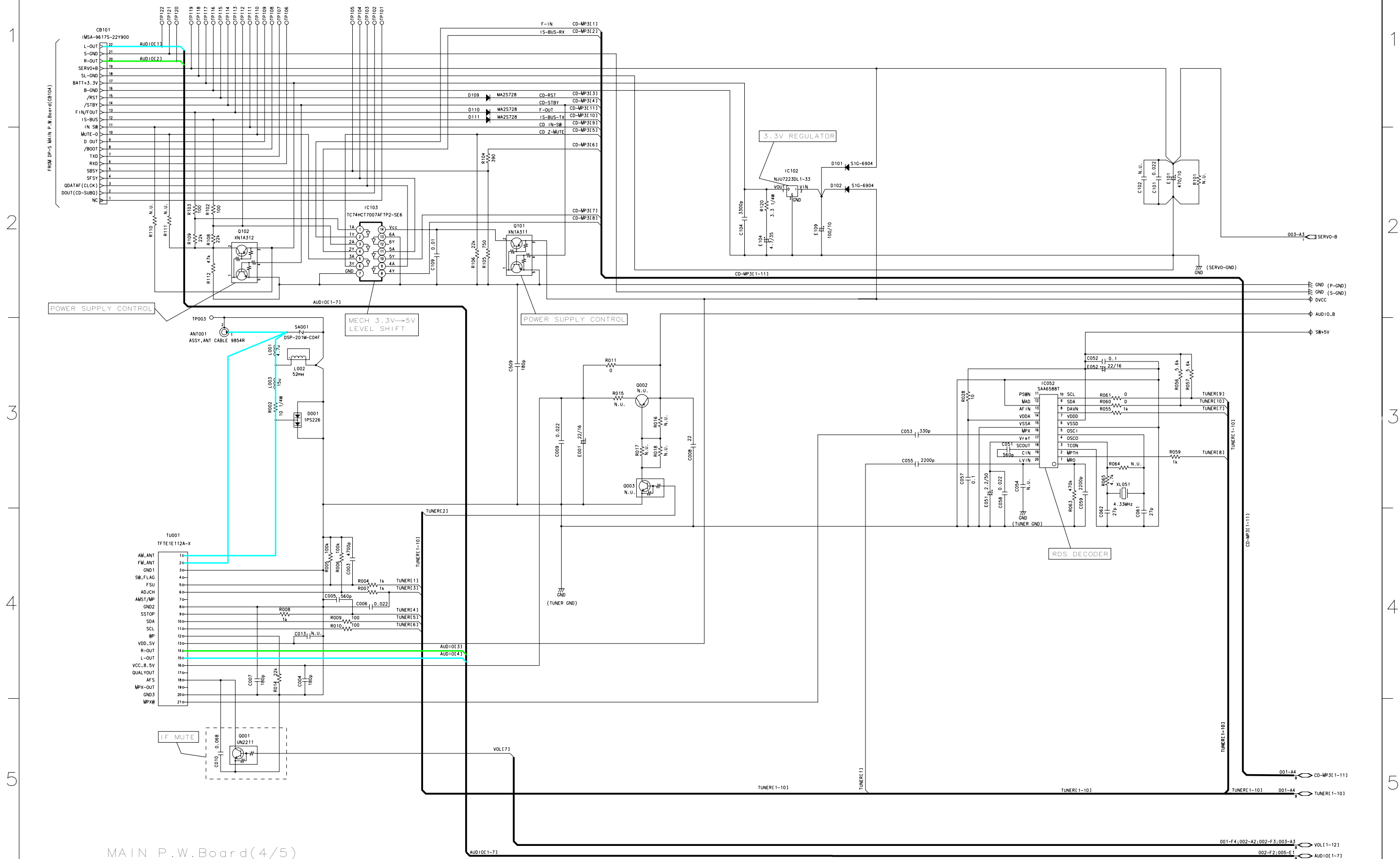


NOTE:#1:For CDA-9852RB Model Only,
\$1:For CDA-9852RR Model Only,
%1:For CDE-9850Ri Model Only,
Others:Common.

MAIN P.W.Board(3/5)
NOTE:N.U.is Not Used Parts.

Schematic Diagram(4/8)

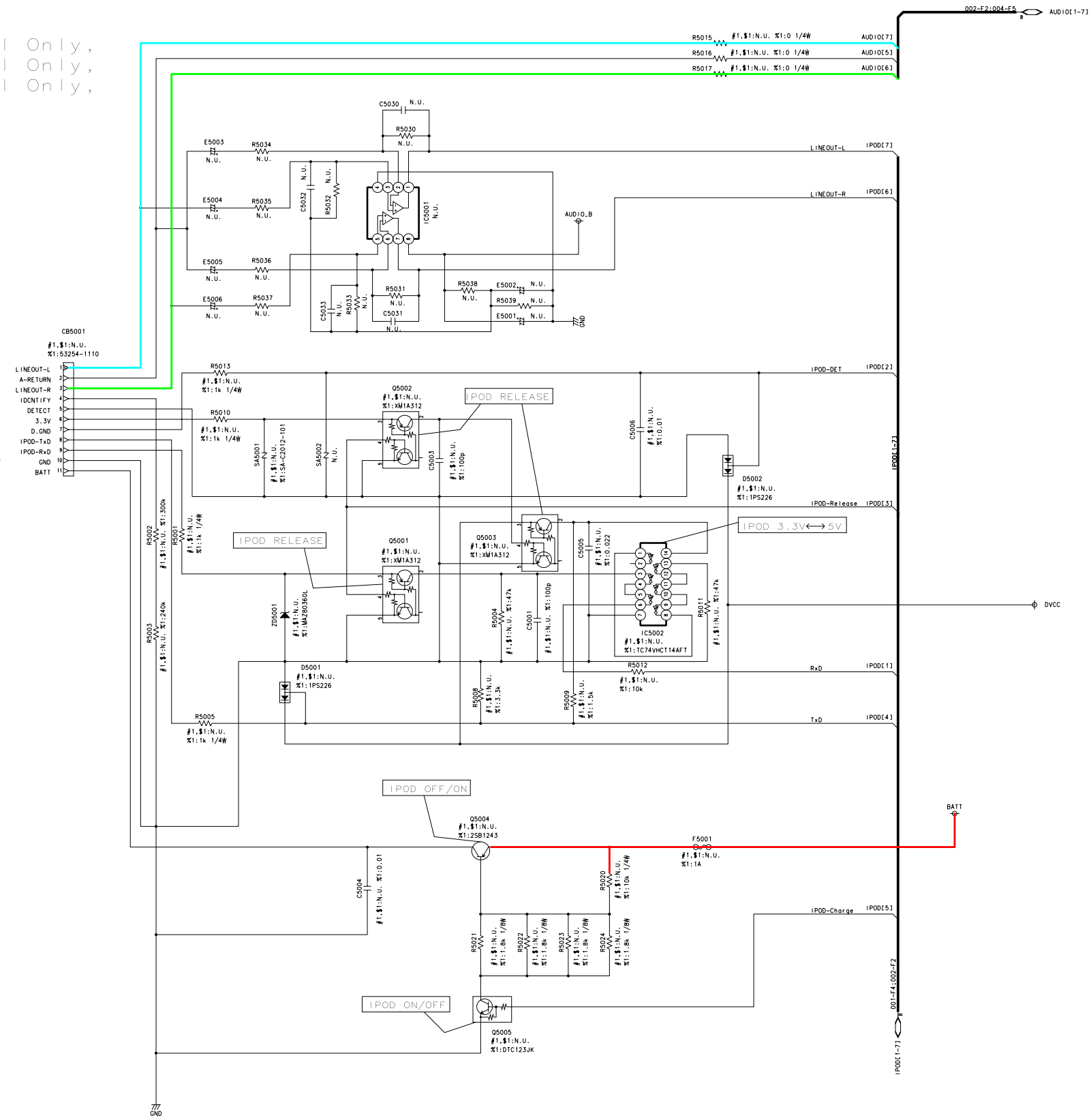
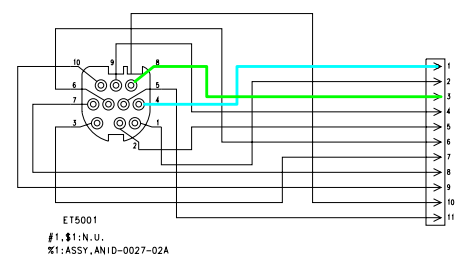
CDA-9852RB/CDA-9852RR/
CDE-9850Ri



Schematic Diagram(5/8)

CDA-9852RB/CDA-9852RR/
CDE-9850Ri

NOTE:#1:For CDA-9852RB Model Only,
\$1:For CDA-9852RR Model Only,
%1:For CDE-9850Ri Model Only,
Others:Common.

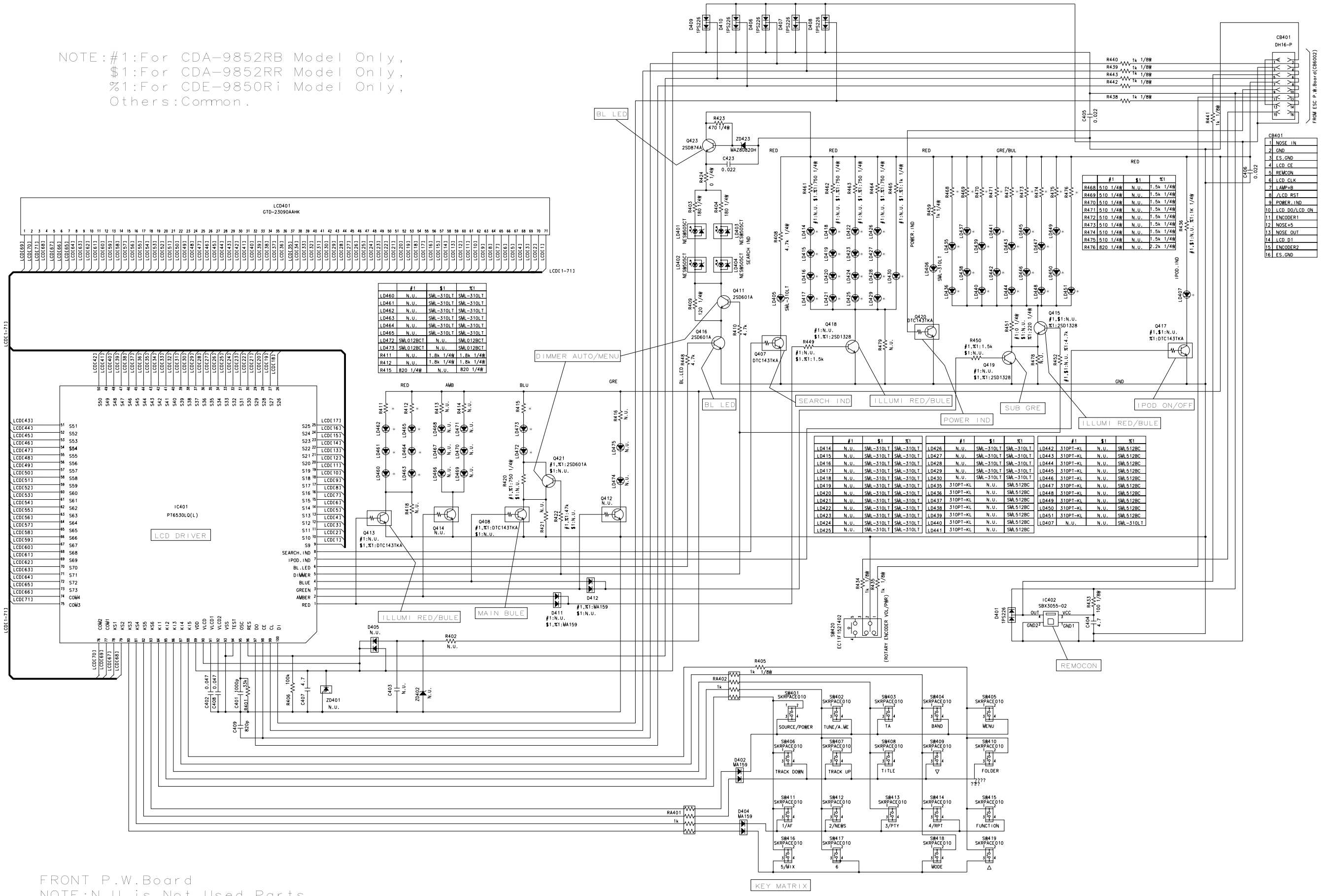


MAIN P.W.Board(5/5)
NOTE:N.U.is Not Used Parts.

Schematic Diagram(6/8)

CDA-9852RB/CDA-9852RR/
CDE-9850Ri

NOTE:#1:For CDA-9852RB Model Only,
#1:For CDA-9852RR Model Only,
%1:For CDE-9850Ri Model Only,
Others:Common.



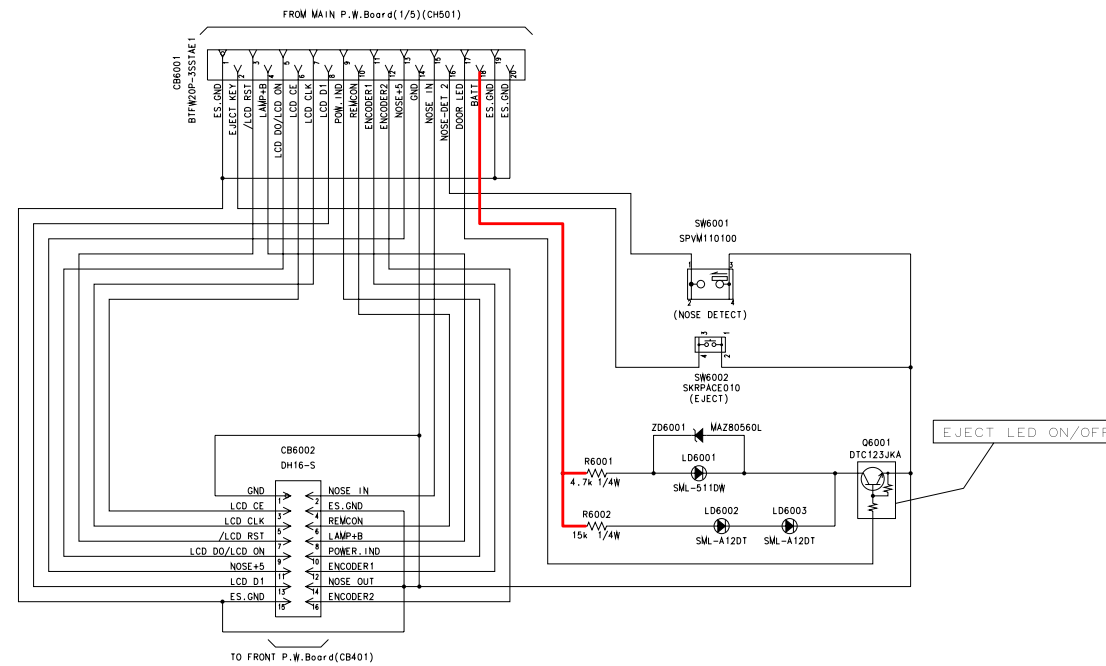
FRONT P.W.Board
NOTE:N.U.is Not Used Parts.

FROM ESC P.W.Board(CB002)

1	NOSE IN
2	GND
3	ES_GND
4	LCD_CE
5	REMON
6	LCD_CLK
7	LAMP-R
8	/LCD_RST
9	POWER_IND
10	LCD_DO/LCD_ON
11	ENCODER1
12	NOSE-L
13	NOSE_OUT
14	LCD_D1
15	ENCODER2
16	ES_GND

#1	\$1	%1
R468	510 1/4W	N.U.
R469	510 1/4W	N.U.
R470	510 1/4W	N.U.
R471	510 1/4W	N.U.
R472	510 1/4W	N.U.
R473	510 1/4W	N.U.
R474	510 1/4W	N.U.
R475	510 1/4W	N.U.
R476	820 1/4W	N.U.

#1	\$1	%1
LD414	N.U.	SM-310LT
LD415	N.U.	SM-310LT
LD416	N.U.	SM-310LT
LD417	N.U.	SM-310LT
LD418	N.U.	SM-310LT
LD419	N.U.	SM-310LT
LD420	N.U.	SM-310LT
LD421	N.U.	SM-310LT
LD422	N.U.	SM-310LT
LD423	N.U.	SM-310LT
LD424	N.U.	SM-310LT
LD425	N.U.	SM-310LT
LD426	N.U.	SM-310LT
LD427	N.U.	SM-310LT
LD428	N.U.	SM-310LT
LD429	N.U.	SM-310LT
LD430	N.U.	SM-310LT
LD431	N.U.	SM-310LT
LD432	N.U.	SM-310LT
LD433	N.U.	SM-310LT
LD434	N.U.	SM-310LT
LD435	N.U.	SM-310LT
LD436	N.U.	SM-310LT
LD437	N.U.	SM-310LT
LD438	N.U.	SM-310LT
LD439	N.U.	SM-310LT
LD440	N.U.	SM-310LT
LD441	N.U.	SM-310LT
LD442	310PT-KL	N.U.
LD443	310PT-KL	N.U.
LD444	310PT-KL	N.U.
LD445	310PT-KL	N.U.
LD446	310PT-KL	N.U.
LD447	310PT-KL	N.U.
LD448	310PT-KL	N.U.
LD449	310PT-KL	N.U.
LD450	310PT-KL	N.U.
LD451	310PT-KL	N.U.
LD452	310PT-KL	N.U.
LD453	310PT-KL	N.U.
LD454	310PT-KL	N.U.
LD455	310PT-KL	N.U.
LD456	310PT-KL	N.U.
LD457	310PT-KL	N.U.
LD458	310PT-KL	N.U.
LD459	310PT-KL	N.U.
LD460	310PT-KL	N.U.
LD461	310PT-KL	N.U.
LD462	310PT-KL	N.U.
LD463	310PT-KL	N.U.
LD464	310PT-KL	N.U.
LD465	310PT-KL	N.U.



Terminal Voltage of IC/TR

(CDA-9852RB Model Only)

IC052								
No.	Voltage	Note	No.	Voltage	Note	No.	Voltage	Note
1	0.13		8	5.01		15	0	
2	0.13		9	PS		16	2.47	
3	0		10	PS		17	2.48	
4	2.52		11	0		18	2.48	
5	2.16		12	0		19	2.46	
6	0		13	2.5		20	2.48	
7	5.01		14	4.94				

IC102								
No.	Voltage	Note	No.	Voltage	Note	No.	Voltage	Note
1	3.3/3.3	TUNER/DISC	2	4.53/6.25	TUNER/DISC	3	0/0	TUNER/DISC

IC103								
No.	Voltage	Note	No.	Voltage	Note	No.	Voltage	Note
1	PS		6	0		11	PS	
2	PS		7	0		12	0	
3	PS		8	PS		13	0	
4	PS		9	PS		14	1.15/4.94	TUNER/DISC
5	0		10	PS				

IC203								
No.	Voltage	Note	No.	Voltage	Note	No.	Voltage	Note
1	4.27		16	4.27		31	4.26	
2	4.26		17	4.23		32	4.26	
3	4.27		18	4.23		33	4.26	
4	4.27		19	4.27		34	4.27	
5	4.26		20	4.27		35	4.27	
6	4.24		21	4.27		36	4.27	
7	4.24		22	4.27		37	4.27	
8	4.23		23	4.27		38	4.27	
9	4.24		24	4.27		39	4.27	
10	4.24		25	4.27		40	8.57	
11	4.24		26	4.27		41	7.57	
12	4.24		27	4.27		42	PS	
13	4.27		28	4.27		43	PS	
14	4.27		29	4.27		44	0	
15	4.27		30	4.26				

**CDA-9852RB/CDA-9852RR/
CDE-9850Ri**

IC307								
No.	Voltage	Note	No.	Voltage	Note	No.	Voltage	Note
1	0		10	8.62		19	6.88	
2	0		11	3.53		20	14.13	
3	6.88		12	3.52		21	6.85	
4	4.92/0	POWER IC ON/OFF	13	0		22	4.76/0	MUTE OFF/ON
5	6.81		14	3.53		23	6.87	
6	14.13		15	3.54		24	0	
7	6.85		16	3.56		25	14.13	NC
8	0		17	6.81				
9	6.81		18	0				

IC401								
No.	Voltage	Note	No.	Voltage	Note	No.	Voltage	Note
1	4.87		35	PS		69	PS	
2	0		36	PS		70	PS	
3	0		37	PS		71	PS	
4	4.2		38	PS		72	PS	
5	4.5/0	DIMMER AUTO/MANU	39	PS		73	PS	
6	4.68		40	PS		74	PS	
7	0		41	PS		75	PS	
8	4.61		42	PS		76	PS	
9	PS		43	PS		77	PS	
10	PS		44	PS		78	PS	
11	PS		45	PS		79	PS	
12	PS		46	PS		80	PS	
13	PS		47	PS		81	PS	
14	PS		48	PS		82	PS	
15	PS		49	PS		83	PS	
16	PS		50	PS		84	PS	
17	PS		51	PS		85	PS	
18	PS		52	PS		86	PS	
19	PS		53	PS		87	PS	
20	PS		54	PS		88	PS	
21	PS		55	PS		89	4.88	
22	PS		56	PS		90	4.88	
23	PS		57	PS		91	3.13	
24	PS		58	PS		92	1.54	
25	PS		59	PS		93	0	
26	PS		60	PS		94	0	
27	PS		61	PS		95	3.44	
28	PS		62	PS		96	4.83	
29	PS		63	PS		97	PS	
30	PS		64	PS		98	PS	
31	PS		65	PS		99	PS	
32	PS		66	PS		100	PS	
33	PS		67	PS				
34	PS		68	PS				

IC402								
No.	Voltage	Note	No.	Voltage	Note	No.	Voltage	Note
1	0		2	0		3	4.768	
4	PS							

**CDA-9852RB/CDA-9852RR/
CDE-9850Ri**

IC501								
No.	Voltage	Note	No.	Voltage	Note	No.	Voltage	Note
1	0		35	PS		69	0	NC
2	0		36	4.93		70	0	
3	4.67		37	4.89/0	CD/TUNER	71	0	
4	PS		38	0	NC	72	PS	
5	PS		39	0	NC	73	PS	
6	0		40	4.92/0	NOSE CLOSE/OPEN	74	0	NC
7	0		41	0	NC	75	4.88/0	TUNER/CD
8	0.7		42	0	NC	76	4.9	
9	0.71		43	0	NC	77	0	NC
10	4.93/0	RESET OFF/ON	44	0	NC	78	PS	
11	2.45		45	PS		79	PS	
12	0		46	PS		80	0	NC
13	2.29		47	0/4.91	ILLUM ON/OFF	81	4.92	
14	4.93		48	0/4.94	POWER IC ON/OFF	82	0.11/4.94	NOSE CLOSE/OPEN
15	4.91		49	4.94		83	5.01	
16	4.88		50	0		84	PS	
17	4.91		51	0/4.92	A MUTE ON/OFF	85	PS	
18	0		52	4.91/0	IN INT ON/OFF	86	PS	
19	0/4.96	NOSE CLOSE/OPEN	53	0		87	PS	
20	0	NC	54	0		88	0/3.29	DISC IN/NORMAL
21	0		55	4.9		89	0.13	
22	0	NC	56	0		90	PS	
23	PS		57	0/4.91	TUNER/CD	91	0	
24	4.91/0	NOSE ON/OFF	58	0		92	0	
25	PS		59	PS		93	PS	
26	4.91/0	NOSE ON/OFF	60	4.94		94	0	
27	PS		61	PS		95	0	
28	PS		62	0		96	4.94	
29	4.91		63	4.86/0	NOSE CLOSE/OPEN	97	4.94	
30	4.91		64	0		98	PS	
31	0	NC	65	0		99	PS	
32	0	NC	66	0		100	PS	
33	PS		67	0	NC			
34	PS		68	0	NC			

IC502								
No.	Voltage	Note	No.	Voltage	Note	No.	Voltage	Note
1	0.05		4	0		7	4.92	
2	2.95		5	2.46		8	4.92	
3	2		6	0				

IC503								
No.	Voltage	Note	No.	Voltage	Note	No.	Voltage	Note
1	4.91		4	0		7	4.92	
2	4.92		5	4.92		8	4.92	
3	0		6	0.05				

**CDA-9852RB/CDA-9852RR/
CDE-9850Ri**

IC560								
No.	Voltage	Note	No.	Voltage	Note	No.	Voltage	Note
1	0/4.94	RESET ON/OFF	3	0/0	RESET ON/OFF	5	0/2.64	RESET ON/OFF
2	1.9/4.94	RESET ON/OFF	4	0/0	RESET ON/OFF			

IC581								
No.	Voltage	Note	No.	Voltage	Note	No.	Voltage	Note
1	4.55		3	0		5	4.95	
2	0		4	0				

IC801								
No.	Voltage	Note	No.	Voltage	Note	No.	Voltage	Note
1	0.4	NC	6	5.14		11	2.41/4.71	TUNER/CD
2	13.6		7	4.89		12	0/7.05	TUNER/CD
3	4.5		8	14.22		13	1.3	
4	5.69		9	1.84		14	10.12	
5	5.03		10	8.58		15	0	

**CDA-9852RB/CDA-9852RR/
CDE-9850Ri**

Ref. No.	B	C	E	Note
Q001	0	3.17	0	IF MUTE
Q201	0	8.57	0	IF MUTE
Q305	0/4.54	4.25/0	0/0	MUTE ON/OFF
Q307	4.25/0	0/4.8	0/0	MUTE ON/OFF
Q380	4.88	0	0	ACC DET
Q381	0	4.77	0	ACC DET
Q407	4.66	0.02	0.02	SEARCH IND
Q408	4.21	0.03	0.02	MAIN BLUE
Q411	0.8/0.2	0.125/1.08	0.07/0.05	DIMMER AUTO/MANU
Q416	0.73	0.07	0.02	BL.LED
Q419	0.74	0.07	0.02	SUB GRE
Q420	4.1	0	0	POW IND
Q421	0.72/0.02	0.04/2.84	0.03/0.02	DIMMER AUTO/MANU
Q423	8.85	12.41	8.1	BL.LED
Q501	4.94	1.99	4.956	AI NET
Q502	4.92	1.99	4.92	AI NET
Q503	0	2.9	0	AI NET
Q581	0	4.7	0	ST-REMOTE
Q582	0	4.7	0	ST-REMOTE
Q601	3.07/4.91	4.9/0	4.93/4.91	IN INT ON/OFF
Q602	9.81/0	4.91/4.92	0/0	DIMMER AUTO/MANU
Q605	4.17/4.95	4.89/0	4.94/4.96	NOSE ON/OFF
Q606	4.93/0	0/4.94	0/0	NOSE ON/OFF
Q803	0/4.9	4.7/0	0/0	CD/TUNER
Q809	0	1.85	0	BATT OVER VOLTAGE
Q813	13.51	14.18	14.23	SWD-B
Q815	4.89	0	0	SWD-B
Q819	4.2	4.9	4.9	ACC +5V
Q820	4.87	0	0	ACC +5V
Q6001	0/3.6	12.7/0	0/0	EJECT LED OFF/ON

Ref. No.	No.1	No.2	No.3	No.4	No.5	Note
Q101	4.94/0	1.4/4.94	4.94/4.94	0/4.88	0/0	CD STBY TUNER/DISC
Q102	3.3/0	0/3.3	3.3/3.3	0/4.89	0/0	CD STBY TUNER/DISC
Q306	0/14.23	14.2/0.85	14.3/14.28	4.25/0	0/0	MUTE ON/OFF
Q810	0	4.87	4.91	5.1	0	ACC DET
Q825	0.03	4.91	4.94	1.85	0	BATT DET

Ref. No.	No.1	No.2	No.3	No.4	No.5	No.6	Note
Q301	0/0	0/0	0/0	0/14.2	0/0	0/14.22	PRE OUT(L)
Q304	0/0	0/0	0/0	0/14.21	0/0	0/14.22	PRE OUT(SUB)

[Measuring Conditions]

1. Power Supply Voltage : DC14.4V
2. Measuring Meter : Digital Multimeter
3. Measuring Point Reference : Between GND
4. Measuring Condition : See each data
: It measures in normal temperature

**CDA-9852RB/CDA-9852RR/
CDE-9850Ri**

(CDA-9852RR Model Only)

IC052								
No.	Voltage	Note	No.	Voltage	Note	No.	Voltage	Note
1	0.13		8	5.01		15	0	
2	0.13		9	PS		16	2.47	
3	0		10	PS		17	2.48	
4	2.52		11	0		18	2.48	
5	2.16		12	0		19	2.46	
6	0		13	2.5		20	2.48	
7	5.01		14	4.94				

IC102								
No.	Voltage	Note	No.	Voltage	Note	No.	Voltage	Note
1	3.3/3.3	TUNER/DISC	2	4.53/6.25	TUNER/DISC	3	0/0	TUNER/DISC

IC103								
No.	Voltage	Note	No.	Voltage	Note	No.	Voltage	Note
1	PS		6	0		11	PS	
2	PS		7	0		12	0	
3	PS		8	PS		13	0	
4	PS		9	PS		14	1.15/4.94	TUNER/DISC
5	0		10	PS				

IC203								
No.	Voltage	Note	No.	Voltage	Note	No.	Voltage	Note
1	4.27		16	4.27		31	4.26	
2	4.26		17	4.23		32	4.26	
3	4.27		18	4.23		33	4.26	
4	4.27		19	4.27		34	4.27	
5	4.26		20	4.27		35	4.27	
6	4.24		21	4.27		36	4.27	
7	4.24		22	4.27		37	4.27	
8	4.23		23	4.27		38	4.27	
9	4.24		24	4.27		39	4.27	
10	4.24		25	4.27		40	8.57	
11	4.24		26	4.27		41	7.57	
12	4.24		27	4.27		42	PS	
13	4.27		28	4.27		43	PS	
14	4.27		29	4.27		44	0	
15	4.27		30	4.26				

**CDA-9852RB/CDA-9852RR/
CDE-9850Ri**

IC307								
No.	Voltage	Note	No.	Voltage	Note	No.	Voltage	Note
1	0		10	8.62		19	6.88	
2	0		11	3.53		20	14.13	
3	6.88		12	3.52		21	6.85	
4	4.92/0	POWER IC ON/OFF	13	0		22	4.76/0	MUTE OFF/ON
5	6.81		14	3.53		23	6.87	
6	14.13		15	3.54		24	0	
7	6.85		16	3.56		25	14.13	NC
8	0		17	6.81				
9	6.81		18	0				

IC401								
No.	Voltage	Note	No.	Voltage	Note	No.	Voltage	Note
1	4.87		35	PS		69	PS	
2	0		36	PS		70	PS	
3	0		37	PS		71	PS	
4	4.2		38	PS		72	PS	
5	4.5/0	DIMMER AUTO/MANU	39	PS		73	PS	
6	4.68		40	PS		74	PS	
7	0		41	PS		75	PS	
8	4.61		42	PS		76	PS	
9	PS		43	PS		77	PS	
10	PS		44	PS		78	PS	
11	PS		45	PS		79	PS	
12	PS		46	PS		80	PS	
13	PS		47	PS		81	PS	
14	PS		48	PS		82	PS	
15	PS		49	PS		83	PS	
16	PS		50	PS		84	PS	
17	PS		51	PS		85	PS	
18	PS		52	PS		86	PS	
19	PS		53	PS		87	PS	
20	PS		54	PS		88	PS	
21	PS		55	PS		89	4.88	
22	PS		56	PS		90	4.88	
23	PS		57	PS		91	3.13	
24	PS		58	PS		92	1.54	
25	PS		59	PS		93	0	
26	PS		60	PS		94	0	
27	PS		61	PS		95	3.44	
28	PS		62	PS		96	4.83	
29	PS		63	PS		97	PS	
30	PS		64	PS		98	PS	
31	PS		65	PS		99	PS	
32	PS		66	PS		100	PS	
33	PS		67	PS				
34	PS		68	PS				

IC402								
No.	Voltage	Note	No.	Voltage	Note	No.	Voltage	Note
1	0		2	0		3	4.768	
4	PS							

**CDA-9852RB/CDA-9852RR/
CDE-9850Ri**

IC501								
No.	Voltage	Note	No.	Voltage	Note	No.	Voltage	Note
1	0		35	PS		69	0	NC
2	0		36	4.93		70	0	
3	4.67		37	4.89/0	CD/TUNER	71	0	
4	PS		38	0	NC	72	PS	
5	PS		39	0	NC	73	PS	
6	0		40	4.92/0	NOSE CLOSE/OPEN	74	0	NC
7	0		41	0	NC	75	4.88/0	TUNER/CD
8	0.7		42	0	NC	76	4.9	
9	0.71		43	0	NC	77	0	NC
10	4.93/0	RESET OFF/ON	44	0	NC	78	PS	
11	2.45		45	PS		79	PS	
12	0		46	PS		80	0	NC
13	2.29		47	0/4.91	ILLUM ON/OFF	81	4.92	
14	4.93		48	0/4.94	POWER IC ON/OFF	82	0.11/4.94	NOSE CLOSE/OPEN
15	4.91		49	4.94		83	5.01	
16	4.88		50	0		84	PS	
17	4.91		51	0/4.92	A MUTE ON/OFF	85	PS	
18	0		52	4.91/0	IN INT ON/OFF	86	PS	
19	0/4.96	NOSE CLOSE/OPEN	53	0		87	PS	
20	0	NC	54	0		88	0/3.29	DISC IN/NORMAL
21	0		55	4.9		89	0.13	
22	0	NC	56	0		90	PS	
23	PS		57	0/4.91	TUNER/CD	91	0	
24	4.91/0	NOSE ON/OFF	58	0		92	0	
25	PS		59	PS		93	PS	
26	4.91/0	NOSE ON/OFF	60	4.94		94	0	
27	PS		61	PS		95	0	
28	PS		62	0		96	4.94	
29	4.91		63	4.86/0	NOSE CLOSE/OPEN	97	4.94	
30	4.91		64	0		98	PS	
31	0	NC	65	0		99	PS	
32	0	NC	66	0		100	PS	
33	PS		67	0	NC			
34	PS		68	0	NC			

IC502								
No.	Voltage	Note	No.	Voltage	Note	No.	Voltage	Note
1	0.05		4	0		7	4.92	
2	2.95		5	2.46		8	4.92	
3	2		6	0				

IC503								
No.	Voltage	Note	No.	Voltage	Note	No.	Voltage	Note
1	4.91		4	0		7	4.92	
2	4.92		5	4.92		8	4.92	
3	0		6	0.05				

**CDA-9852RB/CDA-9852RR/
CDE-9850Ri**

IC560								
No.	Voltage	Note	No.	Voltage	Note	No.	Voltage	Note
1	0/4.94	RESET ON/OFF	3	0/0	RESET ON/OFF	5	0/2.64	RESET ON/OFF
2	1.9/4.94	RESET ON/OFF	4	0/0	RESET ON/OFF			

IC581								
No.	Voltage	Note	No.	Voltage	Note	No.	Voltage	Note
1	4.55		3	0		5	4.95	
2	0		4	0				

IC801								
No.	Voltage	Note	No.	Voltage	Note	No.	Voltage	Note
1	0.4	NC	6	5.14		11	2.41/4.71	TUNER/CD
2	13.6		7	4.89		12	0/7.05	TUNER/CD
3	4.5		8	14.22		13	1.3	
4	5.69		9	1.84		14	10.12	
5	5.03		10	8.58		15	0	

**CDA-9852RB/CDA-9852RR/
CDE-9850Ri**

Ref. No.	B	C	E	Note
Q001	0	3.17	0	IF MUTE
Q201	0	8.57	0	IF MUTE
Q305	0/4.54	4.25/0	0/0	MUTE ON/OFF
Q307	4.25/0	0/4.8	0/0	MUTE ON/OFF
Q380	4.88	0	0	ACC DET
Q381	0	4.77	0	ACC DET
Q407	4.67	0.02	0.01	SEARCH IND
Q411	0.84/0	0.2/1.42	0.1/0.05	DIMMER AUTO/MANU
Q413	4.24	0.04	0.01	RED
Q416	0.75	0.1	0.01	BL.LED
Q418	0.73	0.03	0.01	RED
Q420	4.1	0	0	POW IND
Q423	8.85	12.4	8.2	BL.LED
Q501	4.94	1.99	4.956	AI NET
Q502	4.92	1.99	4.92	AI NET
Q503	0	2.9	0	AI NET
Q581	0	4.7	0	ST-REMOTE
Q582	0	4.7	0	ST-REMOTE
Q601	3.07/4.91	4.9/0	4.93/4.91	IN INT ON/OFF
Q602	9.81/0	4.91/4.92	0/0	DIMMER AUTO/MANU
Q605	4.17/4.95	4.89/0	4.94/4.96	NOSE ON/OFF
Q606	4.93/0	0/4.94	0/0	NOSE ON/OFF
Q803	0/4.9	4.7/0	0/0	CD/TUNER
Q809	0	1.85	0	BATT OVER VOLTAGE
Q813	13.51	14.18	14.23	SWD-B
Q815	4.89	0	0	SWD-B
Q819	4.2	4.9	4.9	ACC +5V
Q820	4.87	0	0	ACC +5V
Q6001	0/3.6	12.7/0	0/0	EJECT LED OFF/ON

Ref. No.	No.1	No.2	No.3	No.4	No.5	Note
Q101	4.94/0	1.4/4.94	4.94/4.94	0/4.88	0/0	CD STBY TUNER/DISC
Q102	3.3/0	0/3.3	3.3/3.3	0/4.89	0/0	CD STBY TUNER/DISC
Q306	0/14.23	14.2/0.85	14.3/14.28	4.25/0	0/0	MUTE ON/OFF
Q810	0	4.87	4.91	5.1	0	ACC DET
Q825	0.03	4.91	4.94	1.85	0	BATT DET

Ref. No.	No.1	No.2	No.3	No.4	No.5	No.6	Note
Q301	0/0	0/0	0/0	0/14.2	0/0	0/14.22	PRE OUT(L)
Q304	0/0	0/0	0/0	0/14.21	0/0	0/14.22	PRE OUT(SUB)

[Measuring Conditions]

1. Power Supply Voltage : DC14.4V
2. Measuring Meter : Digital Multimeter
3. Measuring Point Reference : Between GND
4. Measuring Condition : See each data
: It measures in normal temperature

**CDA-9852RB/CDA-9852RR/
CDE-9850Ri**

(CDE-9850Ri Model Only)

IC052								
No.	Voltage	Note	No.	Voltage	Note	No.	Voltage	Note
1	0.13		2	0.13		3	0	
4	2.5		5	2.1		6	0	
7	5		8	5		9	5	SDA Communication
10	4.9	SCL Communication	11	0	NC	12	0	
13	2.47	NC	14	4.94		15	0	
16	2.46		17	2.46		18	2.48	
19	2.44		20	2.46				

IC102								
No.	Voltage	Note	No.	Voltage	Note	No.	Voltage	Note
1	3.3		2	4.5/6.25	TUNER/CD	3	0	

IC103								
No.	Voltage	Note	No.	Voltage	Note	No.	Voltage	Note
1	PS		2	PS		3	PS	
4	PS		5	0		6	0	
7	0		8	PS		9	PS	
10	PS		11	PS		12	0	
13	0		14	4.95/1.0	CD/TUNER			

IC203								
No.	Voltage	Note	No.	Voltage	Note	No.	Voltage	Note
1	0		2	4.25		3	4.24	
4	4.24		5	4.24		6	4.24	
7	4.22		8	4.21		9	4.21	
10	4.21		11	4.21		12	4.22	
13	4.26	NC	14	4.26	NC	15	4.25	
16	4.25		17	4.21	NC	18	4.21	NC
19	4.25		20	4.25		21	4.25	
22	4.25		23	4.25		24	4.25	
25	4.25		26	4.25		27	0.7	
28	4.25		29	4.25		30	4.24	
31	4.24		32	4.24		33	4.24	
34	4.25		35	4.25		36	4.25	
37	4.25		38	4.25		39	4.25	
40	8.55		41	8.55		42	PS	
43	PS		44	0				

**CDA-9852RB/CDA-9852RR/
CDE-9850Ri**

IC307								
No.	Voltage	Note	No.	Voltage	Note	No.	Voltage	Note
1	0		2	0		3	7.02	
4	4.94/0	POWER IC ON/OFF	5	6.97		6	14.34	
7	7.12		8	0		9	7.02	
10	8.75		11	3.7		12	3.65	
13	0		14	3.65		15	3.65	
16	3.67		17	6.8		18	0	
19	6.8		20	14.35		21	6.95	
22	4.82/0	MUTE OFF/ON	23	7.05		24	0	
25	14.35							

IC401								
No.	Voltage	Note	No.	Voltage	Note	No.	Voltage	Note
1	0/4.27	ILLUMI BLUE/RED	2	0	ILLUMI BLUE/RED	3	0	
4	4.25/0	ILLUMI BLUE/RED	5	4.36/0	DIMM AUTO/MANU	6	4.7	
7	0/4.7	IPOD OFF/ON	8	4.68		9	PS	
10	PS		11	PS		12	PS	
13	PS		14	PS		15	PS	
16	PS		17	PS		18	PS	
19	PS		20	PS		21	PS	
22	PS		23	PS		24	PS	
25	PS		26	PS		27	PS	
28	PS		29	PS		30	PS	
31	PS		32	PS		33	PS	
34	PS		35	PS		36	PS	
37	PS		38	PS		39	PS	
40	PS		41	PS		42	PS	
43	PS		44	PS		45	PS	
46	PS		47	PS		48	PS	
49	PS		50	PS		51	PS	
52	PS		53	PS		54	PS	
55	PS		56	PS		57	PS	
58	PS		59	PS		60	PS	
61	PS		62	PS		63	PS	
64	PS		65	PS		66	PS	
67	PS		68	PS		69	PS	
70	PS		71	PS		72	PS	
73	PS		74	PS		75	PS	
76	PS		77	PS		78	PS	
79	PS		80	PS		81	PS	
82	PS		83	PS		84	PS	
85	PS		86	PS		87	PS	
88	PS		89	4.9		90	4.9	
91	3.13		92	1.53		93	0	
94	0		95	3.46		96	4.85	
97	PS	Communication	98	PS	Communication	99	PS	Communication
100	PS	Communication						

IC402								
No.	Voltage	Note	No.	Voltage	Note	No.	Voltage	Note
1	0		2	0		3	4.77	
4	4.55							

**CDA-9852RB/CDA-9852RR/
CDE-9850Ri**

IC501								
No.	Voltage	Note	No.	Voltage	Note	No.	Voltage	Note
1	0		2	0		3	4.7	
4	PS		5	PS		6	0	
7	0		8	0.62		9	0.67	
10	4.8/0	RESET OFF/ON	11	2.43		12	0	
13	2.28		14	4.95		15	4.93	
16	4.92		17	4.88		18	4.93	
19	0/4.96	NOSE CLOSE/OPEN	20	0		21	0	
22	0		23	PS		24	4.94/0	NOSE ON/OFF
25	PS		26	4.93/0	NOSE ON/OFF	27	PS	
28	PS		29	PS		30	PS	
31	0		32	0		33	PS	
34	PS		35	PS		36	4.94	
37	4.9/0	CD/TUNER	38	0		39	0	
40	4.95		41	0		42	0	
43	0		44	0		45	PS	
46	PS		47	4.95/0	ILLUMI OFF/ON	48	4.95/0	POWERIC ON/OFF
49	4.95		50	0		51	4.93/0	MUTE OFF/ON
52	4.94/0	IN INT ON/OFF	53	0		54	0	
55	4.93		56	4.94/0	IPOD ON/OFF	57	4.94/0	IPOD OFF/ON
58	0		59	PS		60	4.96	
61	PS		62	0		63	4.9/0	NOSE CLOSE/OPEN
64	0		65	0		66	0	
67	0		68	0		69	0	
70	0		71	0		72	PS	
73	PS		74	0		75	0/4.9	CD/TUNER
76	4.94		77	0		78	PS	
79	PS		80	0		81	4.9	
82	0/4.94	NOSE CLOSE/OPEN	83	5		84	PS	
85	PS		86	PS		87	PS	HI-TEMP
88	3.3/0	NORMAL/DISC IN	89	0		90	PS	
91	0		92	0		93	PS	
94	0		95	0		96	4.96	
97	4.96		98	PS		99	PS	
100	PS							

IC560								
No.	Voltage	Note	No.	Voltage	Note	No.	Voltage	Note
1	4.94		2	4.95		3	0	
4	0		5	2.6				

IC581								
No.	Voltage	Note	No.	Voltage	Note	No.	Voltage	Note
1	4.5		2	0		3	0	
4	0		5	4.94				

**CDA-9852RB/CDA-9852RR/
CDE-9850Ri**

IC801								
No.	Voltage	Note	No.	Voltage	Note	No.	Voltage	Note
1	0		2	13.7		3	4.52	
4	5.7		5	5		6	5.1	
7	4.9		8	14.35		9	1.85	
10	8.55		11	2.4/4.7	TUNER/CD	12	0/7.1	TUNER/CD
13	1.3		14	10.1		15	0	

IC5002								
No.	Voltage	Note	No.	Voltage	Note	No.	Voltage	Note
1	4.94/0	IPOD ON/OFF	2	0		3	PS	
4	0		5	0		6	PS	
7	0		8	4.94/0	IPOD ON/OFF	9	0	
10	0		11	4.94/0	IPOD ON/OFF	12	4.94/0	IPOD ON/OFF
13	0		14	4.94/0	IPOD ON/OFF			

**CDA-9852RB/CDA-9852RR/
CDE-9850Ri**

Ref. No.	B	C	E	Note
Q001	0	3.2	0	
Q201	0	8.5	0	
Q305	4.55/0	0/4.4	0	MUTE OFF/MUTE ON
Q307	4.4/0	0/4.86	0	MUTE ON/MUTE OFF
Q380	4.9	0	0	
Q381	0	4.82	0	
Q407	4.68	0	0	
Q408	4.25/0	0/8.6	0	ILLUMI BLUE/RED
Q411	0.73/0	0/0.47	0	DIMM AUTO/MANU
Q413	4.27/0	0/9.34	0	ILLUMI RED/BLUE
Q415	0.7/0	0/8.64	0	ILLUMI RED/BLUE
Q416	0.7	0	0	
Q417	4.7/0	0/11.7	0	IPOD ON/OFF
Q418	0.72/0	0/11.8	0	ILLUMI RED/BLUE
Q419	0.72/0	0/11.8	0	ILLUMI BLUE/RED
Q420	4.35	0	0	
Q421	0.7/0	0/2.8	0	DIMM AUTO/MANU
Q423	8.85	13.1	8.2	
Q581	4.95	0	0	
Q582	0	4.73	4.9	
Q601	4.95/3.1	0/4.94	4.95	NORMAL/IN INT
Q602	0/9.9	4.9/0	0	NORMAL/DIMMER
Q605	4.2/4.9	4.9/0	4.95	NOSE ON/OFF
Q606	4.95/0	0/4.94	0	NOSE ON/OFF
Q803	4.9/0	0/4.74	0	TUNER/CD
Q809	0	1.85	0	
Q813	13.6	14.3	14.33	
Q815	4.9	0	0	
Q819	4.24	4.96	4.97	
Q820	4.9	0	0	
Q5004	14.35/13.6	0/14.3	0	IPOD OFF/ON
Q5005	4.84/0	0/14.4	0	IPOD ON/OFF
Q6001	0.38/3.6	14/0	0	DOOR CLOSE/OPEN

Ref. No.	No.1	No.2	No.3	No.4	No.5	Note
Q101	4.95/0	1/4.96	4.94	0/4.9	0	TUNER/CD
Q102	3.3/0	0/3.27	3.3	0/4.9	0	TUNER/CD
Q306	0/14.3	14.3/0	14.4	4.4/0	0	MUTE ON/OFF
Q810	0	4.9	4.93	5.1	0	
Q825	0	4.93	4.97	1.85	0	
Q5001	0	PS	PS	4.95	0	
Q5002	0	3	3	4.9	0	
Q5003	0	3.1/0	3.1/0	4.95	0	IPOD OFF/ON

Ref. No.	No.1	No.2	No.3	No.4	No.5	No.6
Q304	0	0	0	0	0	0

[Measuring Conditions]

1. Power Supply Voltage : DC14.4V
2. Measuring Meter : Digital Multimeter
3. Measuring Point Reference : Between GND
4. Measuring Condition : See each data
: It measures in normal temperature

**CDA-9852RB/CDA-9852RR/
CDE-9850Ri**

(CD Deck Mechanism)

IC101					
	CD-DA PLAY	MP3 PLAY		CD-DA PLAY	MP3 PLAY
1	3.32V	3.28V	13	3.30V	3.03V
2	-	-	14	1.64V	1.66V
3	-	-	15	1.62V	1.66V
4	1.66V	1.68V	16	1.62V	1.66V
5	1.70V	1.68V	17	2.62V	2.26V
6	0.26V	0.24V	18	1.68V	1.66V
7	2.54V	2.52V	19	1.36V	1.34V
8	2.04V	2.02V	20	0.30V	0.64V
9	1.70V	1.72V	21	2.48V	2.36V
10	1.64V	1.64V	22	1.32V	1.12V
11	1.60V	1.64V	23	0.08V	1.70V
12	2.54V	2.02V	24	0.14V	0.08V

IC102					
	CD-DA PLAY	MP3 PLAY		CD-DA PLAY	MP3 PLAY
1	1.56V	1.66V	33	1.68V	1.62V
2	1.72V	1.68V	34	1.68V	1.62V
3	0.09V	0.10V-2.34V H/L	35	1.68V	1.64V
4	1.72V	1.66V	36	0.20V-1.20V H/L	0.38V-1.24V H/L
5	0.08V	0.10V-3.28V H/L	37	1.68V-2.56V H/L	1.68V-2.54V H/L
6	3.24V	3.24V	38	2.04V	2.08V
7	0.08V	0.10V	39	3.28V	3.22V
8	0.08V-3.24V H/L	0.08V-3.24V H/L	40	1.60V	1.16V-1.66V H/L
9	0.00V	0.00V	41	1.76V	1.66V-2.10V H/L
10	3.28V	3.24V	42	0.08V	0.10V
11	0.09V	0.10V	43	3.28V	3.24V
12	0.00V	0.00V	44	0.08V	0.10V
13	3.28V	0.10V-3.24V H/L	45	0.08V	0.10V
14	3.28V	3.24V	46	1.68V	1.66V
15	3.28V	3.24V	47	1.68V	1.66V
16	1.68V	1.68V	48	3.28V	3.22V
17	1.64V	1.60V	49	0.10V	0.10V
18	1.64V	1.66V	50	1.64V	1.66V
19	1.68V	1.66V	51	3.28V	3.22V
20	1.68V	1.66V	52	1.68V	1.64V
21	1.12V	1.10V	53	1.68V	1.66V
22	0.08V	0.10V	54	0.08V	0.10V
23	1.64V	1.66V	55	3.28V	0.10V-3.22V H/L
24	1.72V	1.68V	56	0.80V	0.10V
25	3.28V	3.22V	57	0.08V-3.28V H/L	0.10V-3.22V H/L
26	1.68V	1.66V	58	0.08V-3.28V H/L	0.10V-3.22V H/L
27	1.68V	1.68V	59	0.08V-3.28V H/L	0.10V-3.22V H/L
28	2.60V	2.34V	60	0.08V-3.28V H/L	0.10V-3.22V H/L
29	1.68V	1.64V	61	0.08V-3.28V H/L	0.10V-3.22V H/L
30	2.52V	2.00V	62	0.08V-3.28V H/L	0.10V-3.22V H/L
31	1.64V	1.58V	63	3.28V	3.24V
32	1.68V	1.64V	64	3.28V	3.24V

**CDA-9852RB/CDA-9852RR/
CDE-9850Ri**

IC103					
	CD-DA PLAY	MP3 PLAY		CD-DA PLAY	MP3 PLAY
1	0.11V	0.10V	15	3.56V	3.50V
2	1.68V	1.66V	16	3.24V	3.24V
3	1.64V	1.66V	17	3.36V	3.35V
4	1.68V	1.66V	18	3.44V	3.44V
5	1.68V	1.66V	19	0.11V	0.10V
6	1.68V	1.66V	20	1.68V	1.64V
7	1.52V	1.52V	21	3.32V	3.30V
8	7.00V	7.00V	22	1.68V	1.62V
9	0.11V	0.10V	23	1.68V	1.64V
10	0.11V	0.10V	24	1.68V	1.64V
11	3.80V	3.80V	25	1.68V	1.64V
12	2.96V	3.00V	26	1.68V	1.64V
13	3.28V	3.26V	27	1.68V	1.64V
14	3.56V	3.50V	28	0.11V	0.10V

IC104					
	CD-DA PLAY	MP3 PLAY		CD-DA PLAY	MP3 PLAY
1	0.10V	0.10V	33	0.10V-3.26V H/L	0.12V-3.12V H/L
2	0.10V	0.10V	34	3.24V	3.22V
3	0.10V	0.10V	35	0.10V	0.08V-3.18V H/L
4	0.10V	0.10V	36	0.10V	0.10V
5	0.10V	0.10V	37	0.10V	0.10V
6	0.10V	0.10V	38	0.08V	0.10V
7	0.34V-3.30V H/L	0.36V-3.28V H/L	39	3.30V	3.28V
8	0.10V	0.06V-3.28V H/L	40	3.30V	3.28V
9	0.34V-3.30V H/L	0.28V-3.28V H/L	41	0.10V	0.10V
10	0.08V	0.10V	42	0.10V	0.10V
11	0.24V-3.30V H/L	0.30V-3.30V H/L	43	3.30V	3.30V
12	0.28V-3.30V H/L	0.30V-3.30V H/L	44	0.08V	0.08V
13	0.08V	0.10V	45	0.08V	0.08V
14	3.22V	3.20V	46	0.08V	0.08V
15	3.22V	3.20V	47	0.08V	0.08V
16	0.08V	0.08V	48	0.08V	0.08V
17	-	-	49	3.30V	3.28V
18	3.32V	1.68V	50	0.10V	0.10V
19	1.64V	3.30V	51	0.10V	0.08V
20	0.10V	0.00V	52	3.30V	3.30V
21	1.62V	3.02V	53	0.10V	0.14V
22	3.30V	3.28V	54	3.30V	3.30V
23	3.30V	3.28V	55	3.30V	3.30V
24	0.10V	0.10V	56	0.08V	0.08V
25	0.10V	0.10V	57	3.30V	0.28V-3.30V H/L
26	0.10V	0.10V	58	3.30V	0.28V-3.30V H/L
27	0.00V	0.00V	59	3.30V	3.30V
28	0.34V-3.28V H/L	0.38V-3.22V H/L	60	3.30V	3.30V
29	0.10V-3.26V H/L	0.12V-3.24V H/L	61	0.10V	0.08V
30	0.10V-3.26V H/L	0.12V-3.12V H/L	62	0.10V	0.08V
31	0.10V-3.26V H/L	0.12V-3.12V H/L	63	0.10V	0.08V
32	0.10V-3.26V H/L	0.12V-3.12V H/L	64	3.30V	3.30V

**CDA-9852RB/CDA-9852RR/
CDE-9850Ri**

IC201					
	CD-DA PLAY	MP3 PLAY		CD-DA PLAY	MP3 PLAY
1	3.30V	3.28V	33	0.13V	0.10V
2	3.30V	3.28V	34	0.10V	0.10V
3	0.10V	0.10V	35	3.30V	3.28V
4	0.10V	0.10V	36	0.10V	0.10V
5	3.30V	0.42V-3.28V H/L	37	0.12V	0.10V
6	3.30V	0.40V-3.30V H/L	38	0.12V	0.10V
7	3.30V	3.28V	39	0.10V	0.10V-3.30V H/L
8	3.30V	3.28V	40	0.10V	0.10V
9	0.10V	0.10V	41	0.10V	0.10V
10	0.10V	0.10V	42	2.52V	2.50V
11	0.10V	0.10V	43	0.10V	0.10V
12	0.10V	0.10V-3.30V H/L	44	0.10V	0.10V
13	1.68V	0.00V-3.30V H/L	45	0.10V	0.10V
14	1.64V	0.08V-3.26V H/L	46	0.10V	0.10V
15	0.10V	0.10V	47	0.10V	0.10V
16	0.10V	0.10V	48	0.10V	0.10V
17	0.10V	0.10V	49	0.10V	0.10V
18	2.56V	2.54V	50	0.10V	0.10V
19	0.12V	0.10V	51	0.10V	0.10V
20	0.10V	0.10V	52	2.56V	2.52V
21	0.10V	0.10V	53	0.10V	0.10V
22	1.34V	1.32V	54	2.56V	2.52V
23	1.34V	1.32V	55	0.10V	0.10V
24	2.58V	2.58V	56	0.10V	0.10V
25	2.58V	2.58V	57	1.40V	1.42V
26	1.34V	1.36V	58	1.40V	1.42V
27	1.32V	1.36V	59	2.56V	2.56V
28	0.10V	0.10V	60	1.66V	1.66V
29	0.10V	0.10V	61	2.56V	2.60V
30	1.88V	0.00V-3.30V H/L	62	1.16V	1.20V
31	0.10V	0.10V	63	1.28V	1.20V
32	0.13V	0.10V	64	0.10V	0.10V

IC301		
	CD-DA PLAY	MP3 PLAY
1	1.54V	1.54V
2	1.56V	1.56V
3	0.00V	0.00V
4	0.00V	0.00V
5	3.17V	3.17V

← PULSE : 2.76V (when disc scratch is detected)

IC302		
	CD-DA PLAY	MP3 PLAY
1	0.00V	0.00V
2	0.00V	0.00V
3	0.00V	0.00V
4	0.00V	0.00V
5	3.17V	3.17V

← PULSE : 3.18V (when disc scratch is detected)

← PULSE : 2.95V (when disc scratch is detected)

← PULSE : 2.76V (when disc scratch is detected)

**CDA-9852RB/CDA-9852RR/
CDE-9850Ri**

IC303		
	CD-DA PLAY	MP3 PLAY
1	0.00V	0.00V
2	0.00V	0.00V
3	3.17V	3.17V
4	0.00V	0.00V
5	0.00V	0.00V
6	0.00V	0.00V
7	3.17V	3.17V
8	3.17V	3.17V

← PULSE : 3.17V (when disc scratch is detected)

← PULSE : 3.17V (when disc scratch is detected)

IC304		
	CD-DA PLAY	MP3 PLAY
1	1.65V	1.65V
2	1.60V	1.60V
3	1.59V	1.59V
4	0.00V	0.00V
5	1.56V	1.56V
6	1.56V	1.56V
7	1.56V	1.56V
8	3.17V	3.17V

IC801		
	CD-DA PLAY	MP3 PLAY
1	0.10V	0.10V
2	3.30V	3.30V
3	2.56V	2.56V
4	0.00V	0.00V
5	3.30V	3.30V

IC802		
	CD-DA PLAY	MP3 PLAY
1	0.10V	0.10V
2	3.30V	3.30V
3	2.56V	2.56V
4	0.00V	0.00V
5	3.30V	3.30V

**CDA-9852RB/CDA-9852RR/
CDE-9850Ri**

Q101		
	CD-DA PLAY	MP3 PLAY
B	2.54V	2.56V
C	2.24V	2.26V
E	3.20V	3.18V

Q102		
	CD-DA PLAY	MP3 PLAY
B	3.20V	3.22V
C	1.66V	1.66V
E	3.24V	3.22V

Q301		
	CD-DA PLAY	MP3 PLAY
B	0.00V	0.00V
C	0.00V	0.00V
E	3.17V	3.17V

← PULSE : 3.17V (when disc scratch is detected)

Q801		
	CD-DA PLAY	MP3 PLAY
B	0.16V	0.20V
C	3.22V	3.24V
E	3.22V	3.32V

Q802		
	CD-DA PLAY	MP3 PLAY
B	3.30V	3.30V
C	0.16V	0.18V
E	0.16V	0.12V

Q803		
	CD-DA PLAY	MP3 PLAY
1	0.10V	0.10V
2	3.30V	3.28V
3	3.30V	3.28V
4	5.08V	5.06V
5	0.10V	0.10V

[Measuring Conditions]

- 1.Power Supply Voltage : DC12.2V
- 2.Measuring Meter : Digital Multimeter / Oscilloscope
- 3.Measuring Point Reference : Between GND
- 4.Measuring Condition : (1) It measures in normal temperature with JIG.
(power supply voltage 12V)
(2) Two kinds are measured.
at playing CD-DA (TCD-782) and MP3 (SCD-5100)
(3) It measures in both sides of Analog and Digital.

Description of IC Terminal

M30626FHPGP : IC501

No.	Symbol	I/O	Terminal Description
1	BBE CTL1(NC)	-	No connect terminal.
2	BBE CTL2(NC)		
3	REMOCON	I	Remote control signal input terminal.
4	CD SFSY	I	TEXT-DATA input terminal.
5	CD SBSY	O	TEXT-DATA output terminal.
6	BYTE(GND)	-	GND terminal.
7	CNVSS(PULL-DOWN)	-	Pull-down connect terminal.
8	32.768K(X-IN)(NC)	-	No connect terminal.
9	32.768K(X-OUT)(NC)		
10	RESET	I	System RESET input terminal.
11	6MHz	O	Crystal connect terminal for main system clock OSC.
12	VSS	-	GND terminal.
13	6MHz	I	Crystal connect terminal for main system clock OSC.
14	VCC	-	Power supply terminal.
15	VDDPULLUP	-	Pull-up connect terminal.
16	POWER IND	O	POWER IND control terminal.
17	ACC DET	I	ACC ON detection signal input terminal.
18	BATT DET	I	BATT ON detection signal input terminal.
19	DOOR LED	O	EJECT LED / DOOR LED control terminal.
20	NC	-	No connect terminal.
21	BBE OFF(NC)		
22	NC		
23	(#1,\$1) AI BUS-IN	I	AI-NET BUS data input terminal.
	(%1) IPOD RX	I	IPOD RX signal input terminal.
24	LCD INH	O	LCD INH signal output terminal.
25	LCD CE	O	LCD CE signal output terminal.
26	NOSE DET-2	I	Nose detaching detection input terminal.
27	(#1,\$1) AI BUS-IN	I	AI-NET BUS data input terminal.
	(%1) IPOD RX	I	IPOD RX signal input terminal.
28	(#1,\$1) AI BUS-OUT	O	AI-NET BUS signal output terminal.
	(%1) IPOD TX	O	IPOD TX signal output terminal.
29	R.MONI	O	RDS monitor output terminal.
30	R.MONI	I	RDS monitor input terminal.
31	NC	-	No connect terminal.
32			
33	CD TXD	O	Serial data output terminal to CD mechanism.
34	CD RXD	I	Serial data input terminal from CD mechanism.
35	CD FOUT	O	FRAME signal output terminal to CD mechanism.
36	CD RESET	O	RESET signal output terminal to CD mechanism.
37	CD STBY	O	STBY signal output terminal to CD mechanism.
38	NC	-	No connect terminal.
39			
40	NOSE PWR	O	NOSE power supply control signal output terminal.

NOTE : #1 : For CDA-9852RB Model Only, \$1 : For CDA-9852RR Model Only,
%1 : For CDE-9850Ri Model Only, Others : Common.

**CDA-9852RB/CDA-9852RR/
CDE-9850Ri**

No.	Symbol	I/O	Terminal Description
41	NC	-	No connect terminal.
44			
45	ENCODER2	I	ENCODER2 input terminal.
46	ENCODER1	I	ENCODER1 input terminal.
47	IN DIMMER	I	DIMMER signal input terminal.
48	PWR IC ON	O	Power-IC STAND-BY control signal output terminal.
49	O-REM	O	OUT-REM signal output terminal.
50	FM/AM(NC)	-	No connect terminal.
51	A-MUTE	O	A-MUTE signal output terminal.
52	IN INT	I	External interruption signal input terminal. (Hi : interrupt)
53	P-ANT(NC)	-	No connect terminal.
54	TUNER CONT(NC)	-	No connect terminal.
55	(#1,\$1) NC	-	No connect terminal.
	(%1) IPOD RELEASE	O	IPOD terminal.
56	(#1,\$1) NC	-	No connect terminal.
	(%1) IPOD CHARGE	O	IPOD charge ON/OFF control output terminal.
57	(#1,\$1) NC	-	No connect terminal.
	(%1) IPOD DET	I	IPOD installation detection terminal. (Hi : detach, Lo : install)
58	ZERO DET	I	0 bit MUTE signal input terminal from CD u-COM.
59	ELE.VOL-DATA	O	E-VOL DATA output terminal.
60	VCC	-	Power supply terminal.
61	ELE.VOL-CLK	O	E-VOL CLOCK output terminal.
62	VSS	-	GND terminal.
63	LAMP ON	O	Lighting power supply control output terminal.
64	IF MUTE	O	IF MUTE signal output terminal.
65	AREA A/E(PULL-UP)	-	Pull-up connect terminal.
66	AREA A/J(NC)	-	No connect terminal.
67	NC		
68			
69			
70			
71	IIC CLK(NC)		
72	CD QDATAF	I	Synchronous signal input terminal for TEXT DATA reading.
73	CD FIN	I	FRAME signal input terminal from CD mechanism.
74	NC	-	No connect terminal.
75	CONT2	O	System Power IC (HA13165) control signal output terminal.
76	CONT1	O	
77	NC	-	No connect terminal.
78	TU SCL	O	Serial clock output terminal to TUNER.
79	TU SDA	I/O	Serial data input/output terminal to TUNER.
80	NC	-	No connect terminal.
81	EJECT KEY	I	EJECT KEY input terminal.
82	NOSE DET1	I	NOSE OPEN/CLOSE detection input terminal.
83	DAVN	I	RDS Decoder Data Available input terminal.
84	SSTOP	I	SSTOP signal input terminal.

NOTE : #1 : For CDA-9852RB Model Only, \$1 : For CDA-9852RR Model Only,

%1 : For CDE-9850Ri Model Only, Others : Common.

**CDA-9852RB/CDA-9852RR/
CDE-9850Ri**

No.	Symbol	I/O	Terminal Description
85	RDS SDA	I/O	Serial data input/output terminal to RDS Decoder.
86	RDS SCL	O	Serial clock output terminal to RDS Decoder.
87	HI TEMP	I	CD HI-TEMP input terminal.
88	DISC IN	I	CD DISC-IN detection signal input terminal.
89	M/P	I	Multi-path input terminal.
90	S/M	I	TUNER S/M level input terminal.
91	REMO1(NC)	-	No connect terminal.
92	QUALY(NC)		
93	ADJCH	I	ADJCH signal input terminal.
94	AVSS	-	GND terminal of A/D Converter.
95	REMO2(NC)	-	No connect terminal.
96	VREF	-	Reference voltage input terminal of A/D Converter.
97	AVCC	-	Power supply input terminal of A/D Converter.
98	LCD DI	I	Data input terminal from LCD Driver.
99	LCD DO	O	Data output terminal to LCD Driver.
100	LCD CLK	O	Clock output terminal to LCD Driver.

TMP91CP27UG : IC104 (DP23S8DA)

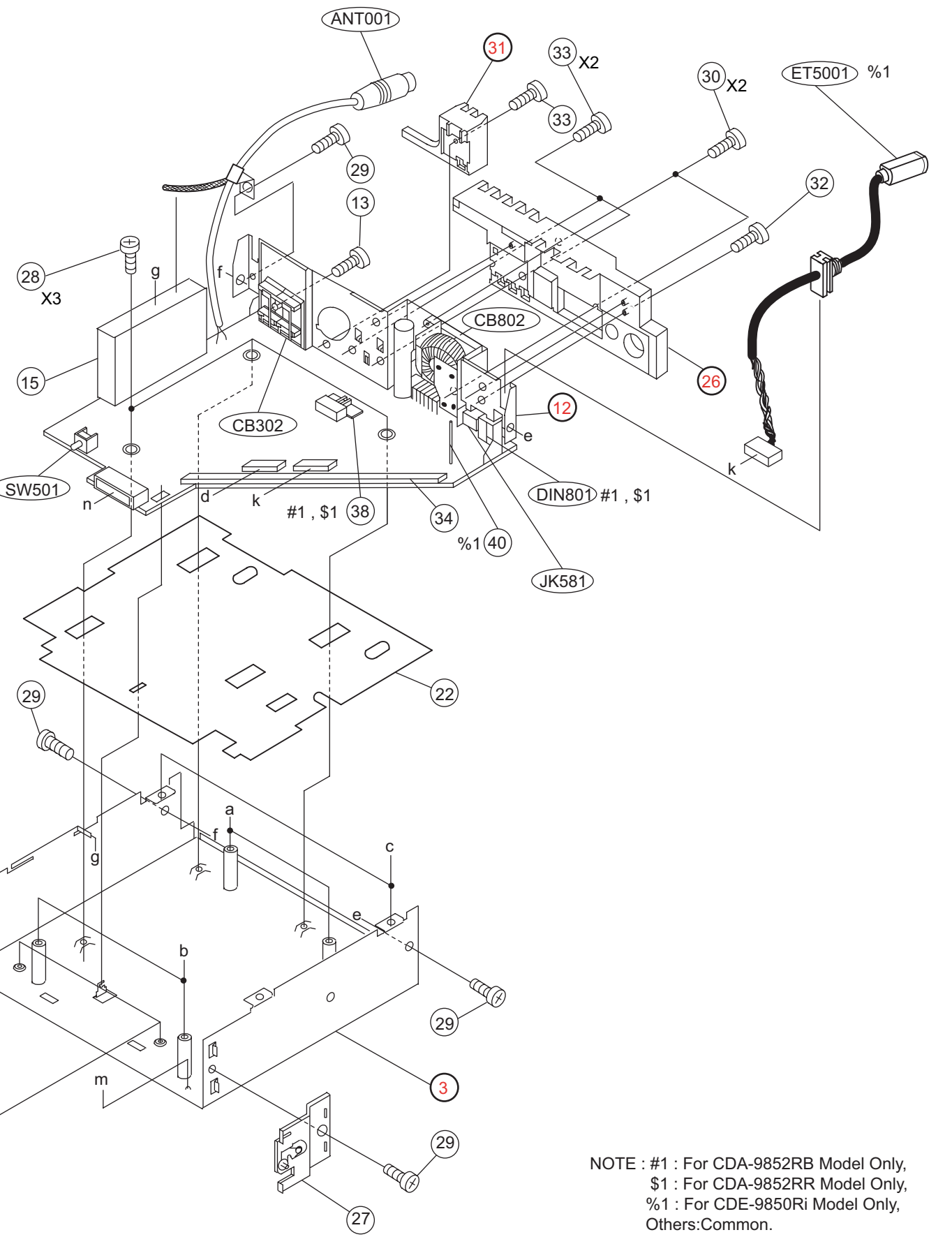
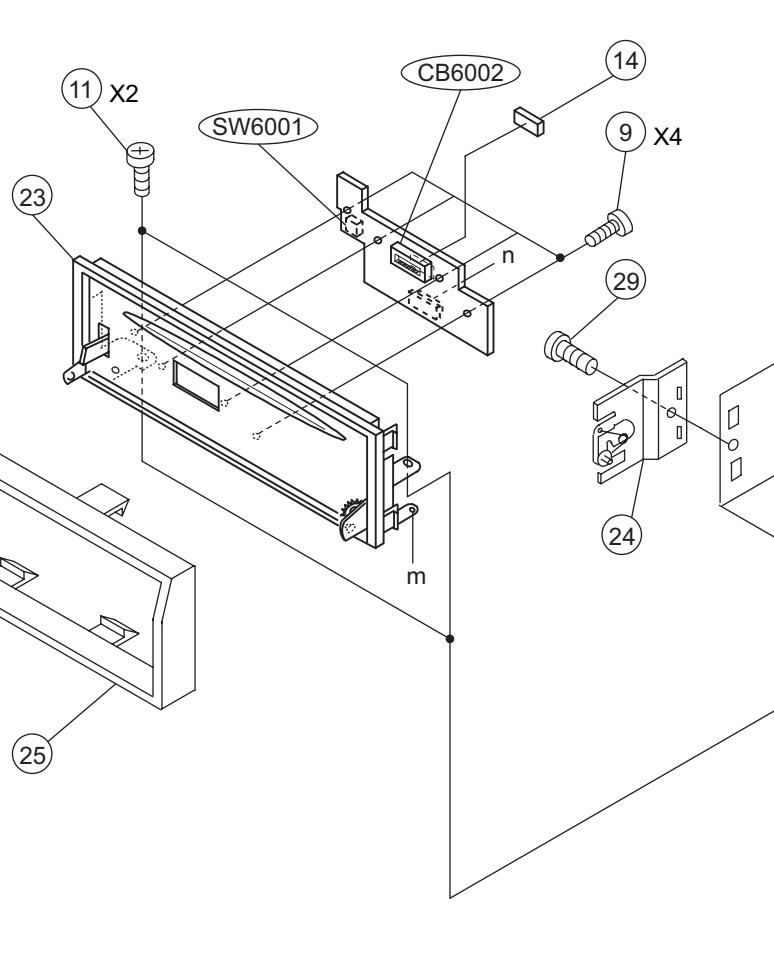
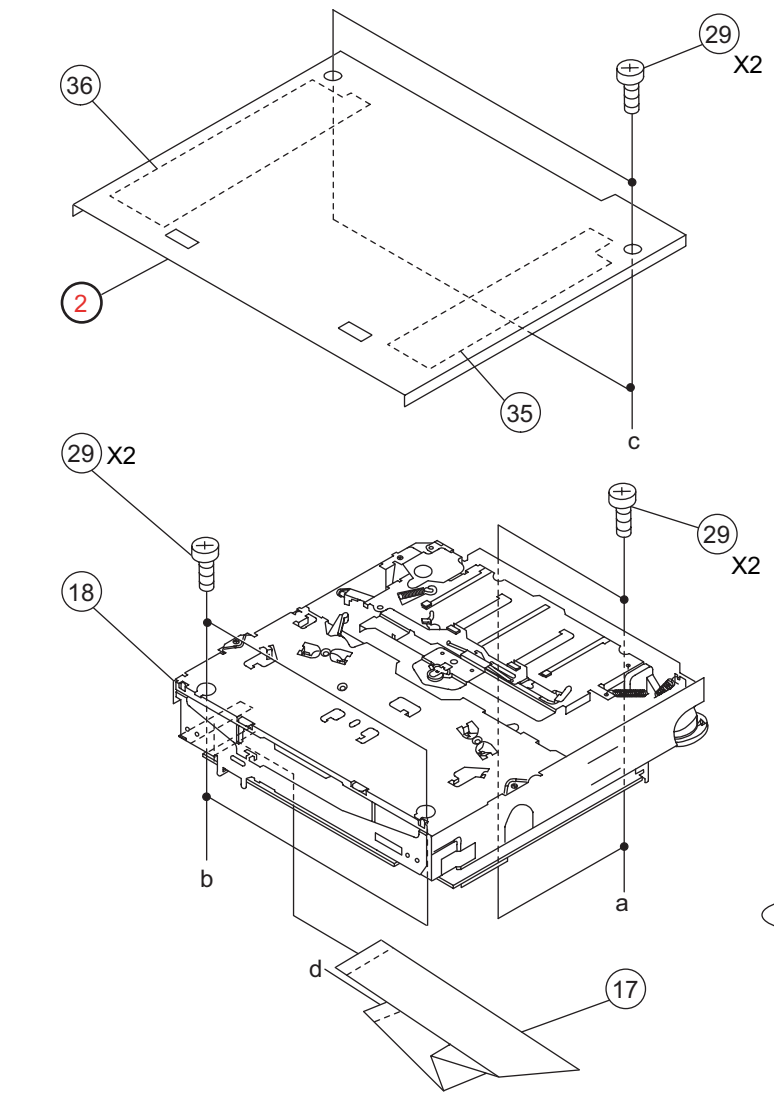
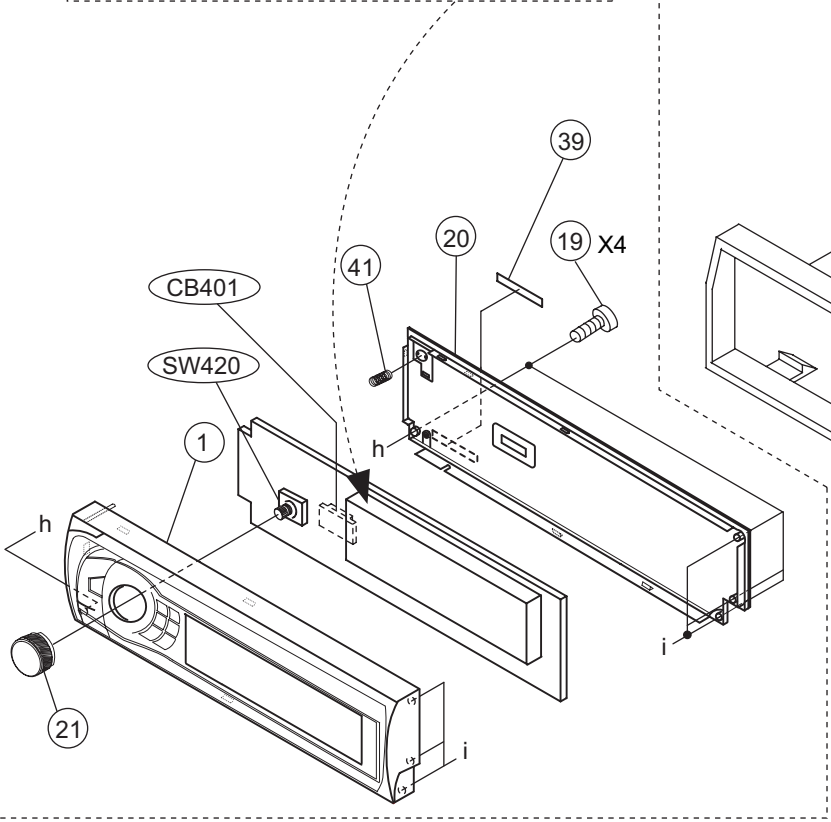
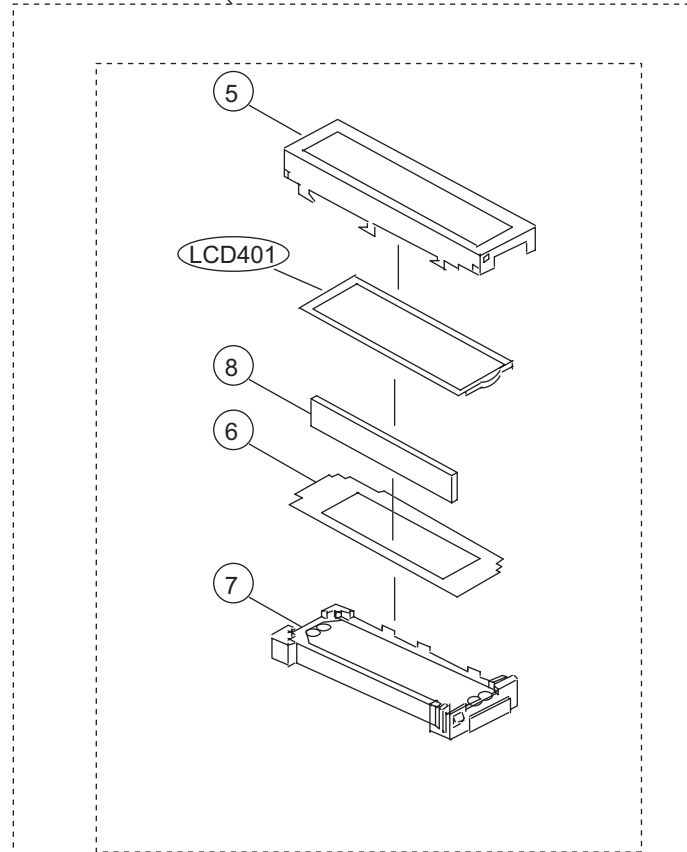
No.	Symbol	I/O	Terminal Description
1	VREFL	-	GND connect terminal for system BATT.
2	NC(PULL-DOWN)	-	Pull-down connect terminal.
3	E2CE(PULL-DOWN)		
4	NC(PULL-DOWN)		
5			
6	QDATAF	O	TEXT DATA confusion sync. signal output terminal for HOST interface.
7	/FIN	I	Frame input terminal from HOST u-COM.
8	REQ	I	REQ signal input terminal for Decoder (TC94A20F) interface.
9	/FOUT	O	Frame output terminal to HOST u-COM.
10	NC(PULL-DOWN)	-	Pull-down connect terminal.
11	TXD(PF_IS)	O	UART output terminal to HOST u-COM.
12	RXD(PF_IS)	I	UART input terminal from HOST u-COM.
13	NC(PULL-DOWN)	-	Pull-down connect terminal.
14	TXD(FLASH)	O	UART output terminal for Flash u-COM rewriting.
15	RXD(FLASH)	I	UART Input terminal for Flash u-COM rewriting.
16	NC(PULL-DOWN)	-	Pull-down connect terminal.
17	AM0(PULL-UP)	-	Pull-up connect terminal.
18	DVCC	-	BATT+3.3V power supply connect terminal.
19	X2	O	Crystal OSC connect terminal.
20	DVSS	-	GND connect terminal for system BATT.
21	X1	I	Crystal OSC connect terminal.
22	AM1(PULL-UP)	-	Pull-up connect terminal.
23	/RESET	I	RESET input terminal.
24	NC	-	No connect terminal.
25			
26	NC(PULL-DOWN)	-	Pull-down connect terminal.
27	NC	-	No connect terminal.

**CDA-9852RB/CDA-9852RR/
CDE-9850Ri**

No.	Symbol	I/O	Terminal Description
28	BUS0	I/O	DATA input/output terminal for SERVO_LSI (TC94A14FA) interface.
29	BUS1		
30	BUS2		
31	BUS3		
32	/BUCK	O	CLOCK output terminal for SERVO_LSI (TC94A14FA) interface.
33	/CCE	O	Chip enable output terminal for SERVO_LSI (TC94A14FA) interface.
34	/CD_RESET	O	SERVO_LSI (TC94A14FA) RESET output terminal.
35	ZMUTEIN	I	0 detection flag input terminal for SERVO_LSI (TC94A14FA) interface.
36	NC(PULL-DOWN)	-	Pull-down connect terminal.
37	MUTE_0	O	0 MUTE signal output terminal for SERVO_LSI (TC94A14FA) interface.
38	NC(PULL-DOWN)	-	Pull-down connect terminal.
39	GVSW	O	RF-AMP (TC2157FN) AGC, TE, FE GAIN switching signal output terminal.
40	/DR_MUTE	O	MOTOR Driver (BA5985FM) MUTE output terminal.
41	MOTOR1	O	Load-MOTOR control signal output terminal. (REV)
42	MOTOR2	O	Load-MOTOR control signal output terminal. (FOR)
43	/LMT_SW	I	LIMIT detection SW signal input terminal.
44	NC(PULL-DOWN)	-	Pull-down connect terminal.
47			
48			
49	CDVCONT	O	System SERVO 3.3V power supply control output terminal.
50	/BOOT	O	BOOT output terminal for Flash u-COM rewriting.
51	NC	-	No connect terminal.
52	/DEC_RESET	O	Decoder (TC94A20F) RESET output terminal.
53	DEC_STANDBY	O	Decoder (TC94A20F) STANDBY output terminal.
54	NC	-	No connect terminal.
55			
56	NC(PULL-DOWN)	-	Pull-down connect terminal.
57	SDA	I/O	DATA input/output, EEPROM DATA input/output combination terminal for Decoder (TC94A20F) interface.
58	SDL	O	CLOCK output, EEPROM CLOCK output combination terminal for Decoder (TC94A20F) interface.
59	/STBY(PULL-UP)	-	Pull-up connect terminal.
60	/SWA	I	Disc insertion detection SW signal input terminal.
61	/SWB	I	8cm Disc Eject/reload detection SW signal input terminal.
62	/SWC	I	12cm Disc Eject/reload detection SW signal input terminal.
63	/SWD	I	Disc chucking completion detection SW signal input terminal.
64	VREFH	-	BATT+3.3V power supply connect terminal.

Exploded View (Cabinet)

CDA-9852RB/CDA-9852RR/
CDE-9850Ri

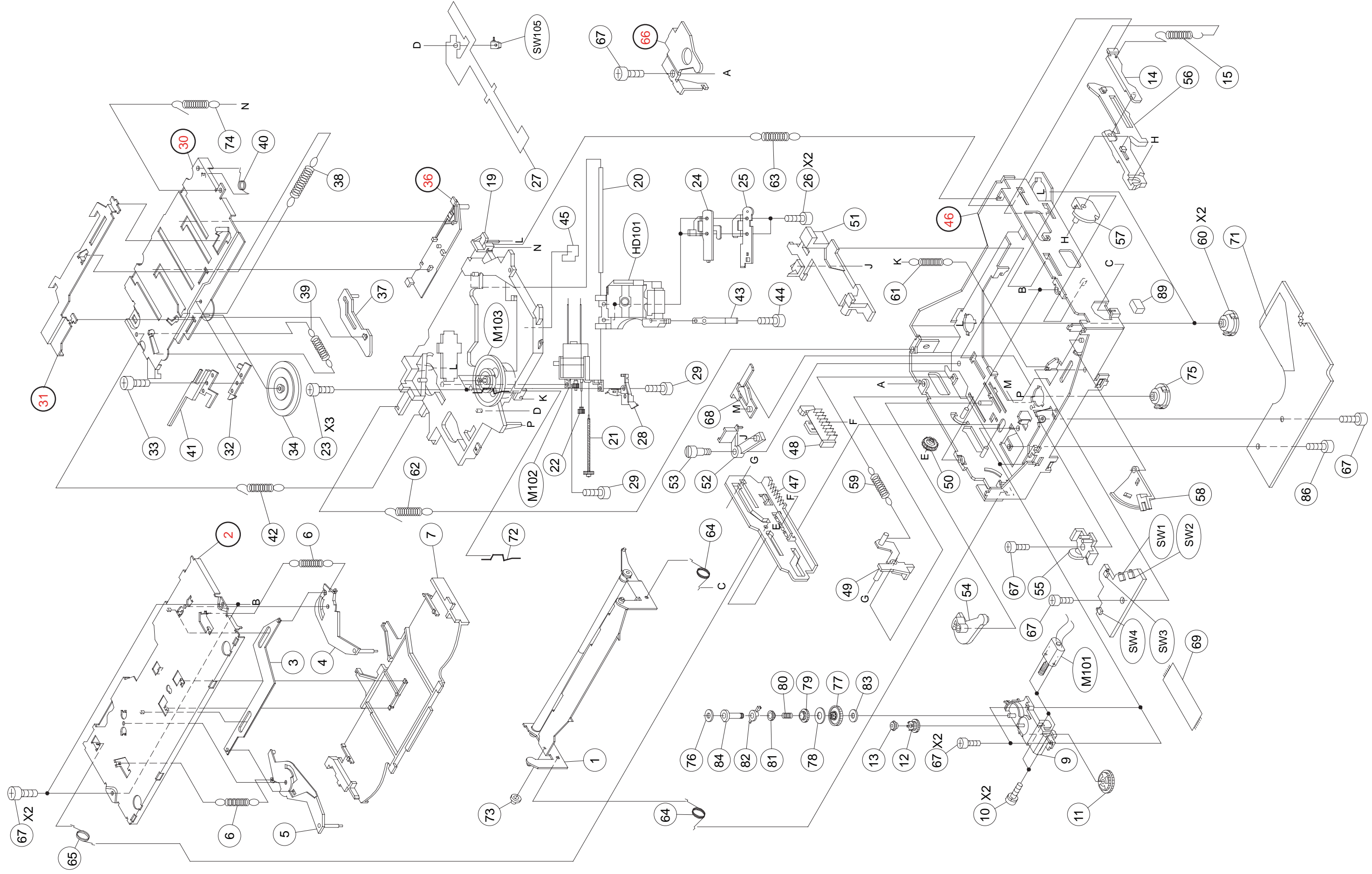


NOTE : #1 : For CDA-9852RB Model Only,
\$1 : For CDA-9852RR Model Only,
%1 : For CDE-9850Ri Model Only,
Others:Common.

Exploded View (CD Deck Mechanism)

(DP23S8DA)

CDA-9852RB/CDA-9852RR/
CDE-9850Ri



Electrical Parts List

* Each parts on P.W.Board are described in order of the reference number.

NOTE : #1 : For CDA-9852RB Model Only, \$1 : For CDA-9852RR Model Only,
%1 : For CDE-9850Ri Model Only, Others : Common.

=====MAIN P.W.Board

C003	08S45676W69	CAP,CER.472K-B1H -CP	
C004	08S45677W42	CAP,CER.181J-CH1H-CP	
C005	08S45677W54	CAP,CER.561J-CH1H-CP	
C006	08S65128F78	CAP,CER.223K-B1H -CP	
C007	08S45677W42	CAP,CER.181J-CH1H-CP	
C008	08S65671Y01	CAP,CER.226KX5R1A-CP	
C009	08S65128F78	CAP,CER.223K-B1H -CP	
C010	08S45676W84	CAP,CER.683K-B1C -CP	
C051	08S45677W54	CAP,CER.561J-CH1H-CP	
C052	08S45676W85	CAP,CER.104K-B1C -CP	
C053	08S45677W48	CAP,CER.331J-CH1H-CP	
C055	08S45676W65	CAP,CER.222K-B1H -CP	
C057	08S45676W85	CAP,CER.104K-B1C -CP	
C058	08S45676W80	CAP,CER.223K-B1E -CP	
C059	08S45676W65	CAP,CER.222K-B1H -CP	
C061	08S45677W22	CAP,CER.27RJ-CH1H-CP	
C062	08S45677W22	CAP,CER.27RJ-CH1H-CP	
C101	08S45676W80	CAP,CER.223K-B1E -CP	
C104	08S45676W67	CAP,CER.332K-B1H -CP	
C109	08S45676W73	CAP,CER.103K-B1H -CP	
C237	08S45677W60	CAP,CER.102J-CH1H-CP	
C239	08S45677W60	CAP,CER.102J-CH1H-CP	
C247	08S45677W60	CAP,CER.102J-CH1H-CP	
C248	08S45677W60	CAP,CER.102J-CH1H-CP	
C253	08S45676W85	CAP,CER.104K-B1C -CP	
C308	08S65676Y03	CAP,CER.225KX7R1C-CP	
C309	08-02764Z03	CAP,TF.224K-1E -CP	
C310	08S45676W83	CAP,CER.473K-B1C -CP	
C311	08-02764Z03	CAP,TF.224K-1E -CP	
C312	08-02764Z03	CAP,TF.224K-1E -CP	
C313	08-02764Z03	CAP,TF.224K-1E -CP	
%1	C5001	08S45677W36	CAP,CER.101J-CH1H-CP
%1	C5003	08S45677W36	CAP,CER.101J-CH1H-CP
%1	C5004	08S45539Y04	CAP,CER.103KX7R2J-CP
%1	C5005	08S45676W80	CAP,CER.223K-B1E -CP
%1	C5006	08S45539Y04	CAP,CER.103KX7R2J-CP
#1	C501	08S45677W36	CAP,CER.101J-CH1H-CP
\$1	C501	08S45677W36	CAP,CER.101J-CH1H-CP
#1	C502	08S45677W22	CAP,CER.27RJ-CH1H-CP
\$1	C502	08S45677W22	CAP,CER.27RJ-CH1H-CP
	C504	08S45677W22	CAP,CER.27RJ-CH1H-CP
	C505	08S45677W22	CAP,CER.27RJ-CH1H-CP
	C506	08S45676W80	CAP,CER.223K-B1E -CP
	C508	08S45677W60	CAP,CER.102J-CH1H-CP
	C509	08S45677W42	CAP,CER.181J-CH1H-CP
#1	C510	08S35349Y12	CAP,CER.105K-B0J -CP
\$1	C510	08S35349Y12	CAP,CER.105K-B0J -CP
	C516	08S35374W12	CAP,CER.106K-B0J -CP

**CDA-9852RB/CDA-9852RR/
CDE-9850Ri**

	C517	08S45677W60	CAP,CER 102J-CH1H-CP
	C560	08S35374W01	CAP,CER 104K-B1E-CP
	C561	08S65128F90	CAP,CER 473K-B1H -CP
	C581	08S65128F78	CAP,CER.223K-B1H -CP
	C582	08S35374W01	CAP,CER 104K-B1E-CP
	C583	08S45676W65	CAP,CER.222K-B1H -CP
	C584	08S45677W36	CAP,CER.101J-CH1H-CP
	C601	08S45676W80	CAP,CER 223K-B1E -CP
	C602	08S35350Y04	CAP,CER 105K-B1C -CP
	C801	08S45676W85	CAP,CER 104K-B1C -CP
	C802	08S45676W85	CAP,CER 104K-B1C -CP
	C803	08S45676W85	CAP,CER 104K-B1C -CP
	C804	08S45676W85	CAP,CER 104K-B1C -CP
	C805	08S65667Y01	CAP,CER 224KX5R1C-CP
	C806	08S45676W85	CAP,CER 104K-B1C -CP
	C809	08S45676W85	CAP,CER 104K-B1C -CP
	C810	08S60102F44	CAP,CER 474K-B1E -CP
	C811	08S65128F78	CAP,CER.223K-B1H -CP
	C812	08S45539Y04	CAP,CER 103KX7R2J-CP
	C813	08S45539Y04	CAP,CER 103KX7R2J-CP
	C814	08S45539Y04	CAP,CER 103KX7R2J-CP
	C816	08S45539Y04	CAP,CER 103KX7R2J-CP
	C817	08S45539Y04	CAP,CER 103KX7R2J-CP
	C821	08S45539Y04	CAP,CER 103KX7R2J-CP
	C824	08S65667Y01	CAP,CER 224KX5R1C-CP
	C825	08S65667Y01	CAP,CER 224KX5R1C-CP
	C827	08S45676W85	CAP,CER 104K-B1C -CP
	C835	08S45676W73	CAP,CER.103K-B1H -CP
	C836	08T55390W34	CAP,TF 274J-1H -R5
	CB101	09T55175Y22	FFC,IMSA9617S-22Y-EQ
%1	CB5001	09T25738Y11	WTB,53254-1110 -DB
	CH501	09T75236Y20	BTB,BTFW20R-3RSTA-EJ
	D001	48T85357W01	DIO,1PS226 -CP
	D101	48T25593Y01	DIO,S1G-6904 -E1
	D102	48T25593Y01	DIO,S1G-6904 -E1
	D109	48T45701Y01	DIO,MA2S728-TX -CP
	D110	48T45701Y01	DIO,MA2S728-TX -CP
	D111	48T45701Y01	DIO,MA2S728-TX -CP
	D303	48T95572W01	DIO,SHT MA736-TX -E1
	D307	48T95572W01	DIO,SHT MA736-TX -E1
	D309	48T25665Y01	DIO,1SS355-TE17 -CP
%1	D5001	48T85357W01	DIO,1PS226 -CP
%1	D5002	48T85357W01	DIO,1PS226 -CP
#1	D501	48T68828F11	DIO,1SS133 -RH
\$1	D501	48T68828F11	DIO,1SS133 -RH
#1	D502	48T25651W01	DIO,CP MA152WA
\$1	D502	48T25651W01	DIO,CP MA152WA
#1	D503	48T25651W02	DIO,MA152WK-TX -CP
\$1	D503	48T25651W02	DIO,MA152WK-TX -CP
	D581	48T25651W02	DIO,MA152WK-TX -CP
	D601	48T25651W02	DIO,MA152WK-TX -CP
	D801	48-05837Z01	DIO,S1G -E1
	D802	48-05837Z01	DIO,S1G -E1
	D803	48-05837Z01	DIO,S1G -E1
#1	D805	48-05837Z01	DIO,S1G -E1
\$1	D805	48-05837Z01	DIO,S1G -E1
	D806	48T44813F03	DIO,MA165 -R5

**CDA-9852RB/CDA-9852RR/
CDE-9850Ri**

	D807	48-05838Z01	DIO,ZEN 5KP24A-01 -
	D808	48-05837Z01	DIO,S1G -E1
	E001	23S75372W05	CAP,ELY 22R-1C -R2
	E051	23S45639Y23	CAP,ELY 2R2-1H -R2
	E052	23S55039Y03	CAP,ELY 22R-1C -R2
	E101	23T55378W03	CAP,KMG 471-1A -R2
	E104	23S65134W53	CAP,ELY 4R7-1V(4)-E2
	E109	23S65134W23	CAP,ELY 101-1A(6)-E6
	E228	23S82372F08	CAP,ELY.10R-1C-BP-R2
	E231	23S82372F08	CAP,ELY.10R-1C-BP-R2
	E238	23S65134W31	CAP,ELY 10R-1C(4)-E2
	E239	23S55039Y07	CAP,ELY 4R7-1V -R2
	E240	23S65134W41	CAP,ELY 4R7-1E(3)-E2
	E241	23S65134W41	CAP,ELY 4R7-1E(3)-E2
	E242	23S65134W41	CAP,ELY 4R7-1E(3)-E2
	E243	23S65134W41	CAP,ELY 4R7-1E(3)-E2
	E244	23S55039Y02	CAP,ELY 10R-1C -R2
	E245	23S55039Y02	CAP,ELY 10R-1C -R2
	E246	23S65134W64	CAP,ELY R47-1H(3)-E2
	E247	23S65134W64	CAP,ELY R47-1H(3)-E2
#1	E305	23S55039Y14	CAP,ELY 2R2-1H -R2
\$1	E305	23S55039Y14	CAP,ELY 2R2-1H -R2
#1	E308	23S55039Y14	CAP,ELY 2R2-1H -R2
\$1	E308	23S55039Y14	CAP,ELY 2R2-1H -R2
	E311	23S65134W34	CAP,ELY 47R-1C(6)-E6
	E319	23S55039Y14	CAP,ELY 2R2-1H -R2
	E321	23S55039Y14	CAP,ELY 2R2-1H -R2
	E322	23S65134W65	CAP,ELY 1R0-1H(3)-E2
	E323	23S55039Y05	CAP,ELY 47R-1C -R2
	E324	23S95415W18	CAP,ELY 2R2-1H -R2
	E325	23S65134W72	CAP,ELY 3R3-1H(4)-E2
	E326	23S65134W72	CAP,ELY 3R3-1H(4)-E2
	E327	23S65134W72	CAP,ELY 3R3-1H(4)-E2
	E328	23S65134W72	CAP,ELY 3R3-1H(4)-E2
#1	E501	23S45639Y08	CAP,ELY 22R-1C -R2
\$1	E501	23S45639Y08	CAP,ELY 22R-1C -R2
	E502	23S45639Y03	CAP,ELY 331-0J -R2
	E602	23S45639Y11	CAP,ELY 33R-1E -R2
	E801	23S55039Y01	CAP,ELY 221-0J -R2
	E802	23S65134W36	CAP,ELY 221-1C(8)-EA
	E815	23T75325Y01	CAP,VB 332-1C +
	E826	23S65134W26	CAP,ELY 471-1A(8)-EA
%1	F5001	65T75477Y05	FUSE,CCP2E 1.0A -CP
#1	F801	65T75477Y13	FUSE,CCP2E 4.0A -CP
\$1	F801	65T75477Y13	FUSE,CCP2E 4.0A -CP
	IC052	51T15132Y02	SAA6588T -SE9
	IC102	51T55517Y02	NJU7223DL1-33TE1-NE5
	IC103	51T15362Y01	TC74HCT7007AFTP2-SE6
	IC203	51-05610Z01	BD3427K -QT
	IC307	51T65184Y01	TB2901H -ZS
%1	IC5002	51-00982Z01	TC74VHCT14AFT-EL-SE5
#1	IC501	53-06197Z96	OFL,V1.00MFAG501A
\$1	IC501	53-06751Z05	OFL,V1.00MFAG509A
%1	IC501	53-06197Z97	OFL,V1.00MFAG508A
#1	IC502	51T93332F01	IC,NJM2903M-TE3 -SE2
\$1	IC502	51T93332F01	IC,NJM2903M-TE3 -SE2
#1	IC503	51T25422Y02	TC7W04FK-TE85L -CP

**CDA-9852RB/CDA-9852RR/
CDE-9850Ri**

\$1	IC503	51T25422Y02	TC7W04FK-TE85L	-CP
	IC560	51T75063Y06	BD5228G-TR	-CP
	IC581	51T93532F05	TC4S01F-TE85L	-CP
	IC801	51T65147Y01	HA13165	-ZS
	L001	24T25164Y21	IND,FSLM2520 4R7J-CP	
	L002	24T35286Y01	IND,MG56 523J	-DB
	L003	24T16403W29	COI,IND.15R-M	-CP
	Q001	48T64222F01	TR ,UN2211 10-10	-TX
	Q101	48T45594W16	TR,XN1A311-TX	-CP
	Q102	48T45594W12	TR ,XN1A312	-TX-CP
	Q201	48T64222F02	TR ,UN2212 22-22	-TX
#1	Q301	48T25317Y01	TR,XN0F256-TX	-CP
\$1	Q301	48T25317Y01	TR,XN0F256-TX	-CP
	Q304	48T25317Y01	TR,XN0F256-TX	-CP
	Q305	48T64222F01	TR ,UN2211 10-10	-TX
	Q306	48T45594W12	TR ,XN1A312	-TX-CP
	Q307	48T64222F02	TR ,UN2212 22-22	-TX
	Q380	48T64222F01	TR ,UN2211 10-10	-TX
	Q381	48T64222F02	TR ,UN2212 22-22	-TX
%1	Q5001	48T45594W12	TR ,XN1A312	-TX-CP
%1	Q5002	48T45594W12	TR ,XN1A312	-TX-CP
%1	Q5003	48T45594W12	TR ,XN1A312	-TX-CP
%1	Q5004	48T84366F04	TR,2SB1243-QR-TV2-RD	
%1	Q5005	48T62967F25	TR,DTC123JKA-T146-CP	
#1	Q501	48T64221F02	TR ,UN2112 22-22	-TX
\$1	Q501	48T64221F02	TR ,UN2112 22-22	-TX
#1	Q502	48T52437F01	TR ,2SB709A-QR/TX-CP	
\$1	Q502	48T52437F01	TR ,2SB709A-QR/TX-CP	
#1	Q503	48T52438F01	TR ,2SD601A-RS/TX-CP	
\$1	Q503	48T52438F01	TR ,2SD601A-RS/TX-CP	
	Q581	48T52437F01	TR ,2SB709A-QR/TX-CP	
	Q582	48T64222F01	TR ,UN2211 10-10	-TX
	Q601	48T64221F11	TR,UN211L-TX	-CP
	Q602	48T64222F02	TR ,UN2212 22-22	-TX
	Q605	48T52437F01	TR ,2SB709A-QR/TX-CP	
	Q606	48T64222F02	TR ,UN2212 22-22	-TX
	Q803	48T64222F12	TR,UN221L-TX	-CP
	Q809	48T64222F02	TR ,UN2212 22-22	-TX
	Q810	48T45594W12	TR ,XN1A312	-TX-CP
	Q813	48T84366F04	TR,2SB1243-QR-TV2-RD	
	Q815	48T64222F11	TR,UN221F-TX	-CP
	Q819	48T52437F01	TR ,2SB709A-QR/TX-CP	
	Q820	48T64222F12	TR,UN221L-TX	-CP
	Q825	48T45594W16	TR,XN1A311-TX	-CP
	R002	06S70072F05	RES,CP .10R-J-1/4-CP	
	R004	06S55365Y65	RES,RK 102J 1/10	-CP
	R005	06S55366Y14	RES,RK 104J 1/10	-CP
	R006	06S55366Y14	RES,RK 104J 1/10	-CP
	R007	06S55365Y65	RES,RK 102J 1/10	-CP
	R008	06S55365Y65	RES,RK 102J 1/10	-CP
	R009	06S55365Y41	RES,RK 101J 1/10	-CP
	R010	06S55365Y41	RES,RK 101J 1/10	-CP
	R011	06S45675W43	RES,RK JUMPER1/10-CP	
	R014	06S55365Y97	RES,RK 223J 1/10	-CP
	R028	06S45674W09	RES,RK 10RJ 1/10	-CP
	R055	06S45674W57	RES,RK 102J 1/10	-CP
	R056	06S45674W75	RES,RK 562J 1/10	-CP

**CDA-9852RB/CDA-9852RR/
CDE-9850Ri**

	R057	06S45674W75	RES,RK 562J 1/10 -CP
	R059	06S45674W57	RES,RK 102J 1/10 -CP
	R060	06S45675W43	RES,RK JUMPER1/10-CP
	R061	06S45675W43	RES,RK JUMPER1/10-CP
	R063	06S45675W22	RES,RK 474J 1/10 -CP
	R065	06S45674W73	RES,RK 472J 1/10 -CP
	R102	06S45674W33	RES,RK 101J 1/10 -CP
	R103	06S45674W33	RES,RK 101J 1/10 -CP
	R104	06S55365Y55	RES,RK 391J 1/10 -CP
	R105	06S55365Y62	RES,RK 751J 1/10 -CP
	R106	06S45674W89	RES,RK 223J 1/10 -CP
	R108	06S45674W89	RES,RK 223J 1/10 -CP
	R109	06S45674W89	RES,RK 223J 1/10 -CP
	R112	06S45674W97	RES,RK 473J 1/10 -CP
	R120	06S70072F82	RES,CP .3R3-J-1/4-CP
	R231	06S45674W93	RES,RK 333J 1/10 -CP
	R232	06S70072F77	RES,CP .103-J-1/4-CP
	R241	06S45675W43	RES,RK JUMPER1/10-CP
	R242	06S45675W43	RES,RK JUMPER1/10-CP
#1	R305	06S64995F37	RES,RK 221J 1/8 -CP
\$1	R305	06S64995F37	RES,RK 221J 1/8 -CP
#1	R309	06S64995F29	RES,RK 101J 1/8 -CP
\$1	R309	06S64995F29	RES,RK 101J 1/8 -CP
#1	R315	06S55366Y11	RES,RK 753J 1/10 -CP
\$1	R315	06S55366Y11	RES,RK 753J 1/10 -CP
#1	R316	06S55366Y11	RES,RK 753J 1/10 -CP
\$1	R316	06S55366Y11	RES,RK 753J 1/10 -CP
	R319	06S55366Y11	RES,RK 753J 1/10 -CP
#1	R320	06S64995F37	RES,RK 221J 1/8 -CP
\$1	R320	06S64995F37	RES,RK 221J 1/8 -CP
#1	R321	06S64995F29	RES,RK 101J 1/8 -CP
\$1	R321	06S64995F29	RES,RK 101J 1/8 -CP
	R322	06S55366Y11	RES,RK 753J 1/10 -CP
	R344	06S64995F37	RES,RK 221J 1/8 -CP
	R345	06S64995F29	RES,RK 101J 1/8 -CP
	R352	06S64995F29	RES,RK 101J 1/8 -CP
	R353	06S64995F37	RES,RK 221J 1/8 -CP
	R355	06S45674W85	RES,RK 153J 1/10 -CP
	R357	06S45674W81	RES,RK 103J 1/10 -CP
	R358	06S45674W41	RES,RK 221J 1/10 -CP
	R361	06S45674W81	RES,RK 103J 1/10 -CP
	R362	06S70072F29	RES,CP .101-J-1/4-CP
	R366	06S45674W97	RES,RK 473J 1/10 -CP
	R380	06S45674W81	RES,RK 103J 1/10 -CP
	R381	06S45674W33	RES,RK 101J 1/10 -CP
%1	R5001	06S55361Y65	RES,RK 102J 1/4 -CP
%1	R5002	06S15594Y09	RES,RK 304F 1/10 -CP
%1	R5003	06S15594Y07	RES,RK 244F 1/10 -CP
%1	R5004	06S55366Y06	RES,RK 473J 1/10 -CP
%1	R5005	06S55361Y65	RES,RK 102J 1/4 -CP
%1	R5008	06S55365Y77	RES,RK 332J 1/10 -CP
%1	R5009	06S55365Y69	RES,RK 152J 1/10 -CP
%1	R5010	06S55361Y65	RES,RK 102J 1/4 -CP
%1	R5011	06S55366Y06	RES,RK 473J 1/10 -CP
%1	R5012	06S55365Y89	RES,RK 103J 1/10 -CP
%1	R5013	06S55361Y65	RES,RK 102J 1/4 -CP
%1	R5015	06S55362Y39	RES,RK JUMPER 1/4-CP

**CDA-9852RB/CDA-9852RR/
CDE-9850Ri**

%1	R5016	06S55362Y39	RES,RK JUMPER 1/4-CP
%1	R5017	06S55362Y39	RES,RK JUMPER 1/4-CP
%1	R5020	06S55361Y89	RES,RK 103J 1/4 -CP
#1	R502	06S45674W61	RES,RK 152J 1/10 -CP
\$1	R502	06S45674W61	RES,RK 152J 1/10 -CP
%1	R5021	06S55361Y71	RES,RK 182J 1/4 -CP
%1	R5022	06S55361Y71	RES,RK 182J 1/4 -CP
%1	R5023	06S55361Y71	RES,RK 182J 1/4 -CP
%1	R5024	06S55361Y71	RES,RK 182J 1/4 -CP
#1	R503	06S45674W65	RES,RK 222J 1/10 -CP
\$1	R503	06S45674W65	RES,RK 222J 1/10 -CP
#1	R504	06S70072F19	RES,CP .39R-J-1/4-CP
\$1	R504	06S70072F19	RES,CP .39R-J-1/4-CP
#1	R505	06S70072F19	RES,CP .39R-J-1/4-CP
\$1	R505	06S70072F19	RES,CP .39R-J-1/4-CP
#1	R506	06S45674W65	RES,RK 222J 1/10 -CP
\$1	R506	06S45674W65	RES,RK 222J 1/10 -CP
#1	R507	06S45674W61	RES,RK 152J 1/10 -CP
\$1	R507	06S45674W61	RES,RK 152J 1/10 -CP
#1	R508	06S70072F19	RES,CP .39R-J-1/4-CP
\$1	R508	06S70072F19	RES,CP .39R-J-1/4-CP
#1	R509	06S70072F19	RES,CP .39R-J-1/4-CP
\$1	R509	06S70072F19	RES,CP .39R-J-1/4-CP
#1	R510	06S45674W59	RES,RK 122J 1/10 -CP
\$1	R510	06S45674W59	RES,RK 122J 1/10 -CP
#1	R511	06S45674W73	RES,RK 472J 1/10 -CP
\$1	R511	06S45674W73	RES,RK 472J 1/10 -CP
#1	R512	06S45674W81	RES,RK 103J 1/10 -CP
\$1	R512	06S45674W81	RES,RK 103J 1/10 -CP
#1	R513	06S45674W81	RES,RK 103J 1/10 -CP
\$1	R513	06S45674W81	RES,RK 103J 1/10 -CP
#1	R514	06S45674W77	RES,RK 682J 1/10 -CP
\$1	R514	06S45674W77	RES,RK 682J 1/10 -CP
#1	R515	06S45674W81	RES,RK 103J 1/10 -CP
\$1	R515	06S45674W81	RES,RK 103J 1/10 -CP
#1	R516	06S45674W81	RES,RK 103J 1/10 -CP
\$1	R516	06S45674W81	RES,RK 103J 1/10 -CP
	R518	06S45674W97	RES,RK 473J 1/10 -CP
	R522	06S45674W57	RES,RK 102J 1/10 -CP
#1	R523	06S45674W77	RES,RK 682J 1/10 -CP
\$1	R523	06S45674W77	RES,RK 682J 1/10 -CP
#1	R524	06S70072F05	RES,CP .10R-J-1/4-CP
\$1	R524	06S70072F05	RES,CP .10R-J-1/4-CP
	R527	06S45674W57	RES,RK 102J 1/10 -CP
	R528	06S45674W89	RES,RK 223J 1/10 -CP
	R529	06S45674W57	RES,RK 102J 1/10 -CP
#1	R530	06S45674W57	RES,RK 102J 1/10 -CP
\$1	R530	06S45674W57	RES,RK 102J 1/10 -CP
#1	R531	06S45674W89	RES,RK 223J 1/10 -CP
\$1	R531	06S45674W89	RES,RK 223J 1/10 -CP
	R532	06S45675W22	RES,RK 474J 1/10 -CP
	R536	06S45674W57	RES,RK 102J 1/10 -CP
	R539	06S45674W97	RES,RK 473J 1/10 -CP
	R540	06S45674W57	RES,RK 102J 1/10 -CP
	R542	06S45674W57	RES,RK 102J 1/10 -CP
	R544	06S45674W33	RES,RK 101J 1/10 -CP
	R545	06S45674W33	RES,RK 101J 1/10 -CP

**CDA-9852RB/CDA-9852RR/
CDE-9850Ri**

%1	R546	06S45675W43	RES,RK JUMPER1/10-CP
%1	R547	06S45674W33	RES,RK 101J 1/10 -CP
	R550	06S15593Y77	RES,RK 153F 1/10 -CP
	R556	06S45674W57	RES,RK 102J 1/10 -CP
	R558	06S55365Y97	RES,RK 223J 1/10 -CP
%1	R559	06S55361Y97	RES,RK 223J 1/4 -CP
	R560	06S45674W81	RES,RK 103J 1/10 -CP
	R561	06S45674W57	RES,RK 102J 1/10 -CP
	R562	06S45674W33	RES,RK 101J 1/10 -CP
	R563	06S45674W33	RES,RK 101J 1/10 -CP
	R566	06S45674W89	RES,RK 223J 1/10 -CP
	R567	06S45674W97	RES,RK 473J 1/10 -CP
	R569	06S15593Y63	RES,RK 392F 1/10 -CP
	R570	06S15593Y83	RES,RK 273F 1/10 -CP
	R571	06S45674W67	RES,RK 272J 1/10 -CP
	R578	06S45674W57	RES,RK 102J 1/10 -CP
	R579	06S45674W81	RES,RK 103J 1/10 -CP
	R580	06S45674W81	RES,RK 103J 1/10 -CP
	R581	06S45675W22	RES,RK 474J 1/10 -CP
	R582	06S45674W89	RES,RK 223J 1/10 -CP
	R583	06S70072F29	RES,CP .101-J-1/4-CP
	R584	06S45674W57	RES,RK 102J 1/10 -CP
	R585	06S45674W69	RES,RK 332J 1/10 -CP
	R586	06S45674W65	RES,RK 222J 1/10 -CP
	R588	06S45674W89	RES,RK 223J 1/10 -CP
	R590	06S45674W89	RES,RK 223J 1/10 -CP
	R591	06S45674W89	RES,RK 223J 1/10 -CP
	R595	06S45674W97	RES,RK 473J 1/10 -CP
	R596	06S45674W97	RES,RK 473J 1/10 -CP
	R597	06S45674W89	RES,RK 223J 1/10 -CP
	R598	06S45674W89	RES,RK 223J 1/10 -CP
	R599	06S45674W89	RES,RK 223J 1/10 -CP
	R601	06S45674W81	RES,RK 103J 1/10 -CP
	R602	06S70072F77	RES,CP .103-J-1/4-CP
	R603	06S70072F77	RES,CP .103-J-1/4-CP
	R604	06S45674W97	RES,RK 473J 1/10 -CP
	R605	06S64995F53	RES,RK 102J 1/8 -CP
	R606	06S45674W73	RES,RK 472J 1/10 -CP
	R608	06S45674W97	RES,RK 473J 1/10 -CP
	R609	06S64995F53	RES,RK 102J 1/8 -CP
	R610	06S64995F53	RES,RK 102J 1/8 -CP
	R611	06S64995F53	RES,RK 102J 1/8 -CP
	R612	06S64995F53	RES,RK 102J 1/8 -CP
	R613	06S64995F53	RES,RK 102J 1/8 -CP
	R614	06S64995F53	RES,RK 102J 1/8 -CP
	R615	06S64995F53	RES,RK 102J 1/8 -CP
	R616	06S64995F53	RES,RK 102J 1/8 -CP
	R617	06S64995F53	RES,RK 102J 1/8 -CP
	R618	06S64995F53	RES,RK 102J 1/8 -CP
	R619	06S64995F53	RES,RK 102J 1/8 -CP
	R620	06S45675W43	RES,RK JUMPER1/10-CP
	R633	06S45674W91	RES,RK 273J 1/10 -CP
	R634	06S45674W65	RES,RK 222J 1/10 -CP
	R635	06S64996F02	RES,RK 104J 1/8 -CP
	R800	06T45541Y01	RES,RS 12RJ 2W +
	R801	06S70072F77	RES,CP .103-J-1/4-CP
	R802	06S55365Y85	RES,RK 682J 1/10 -CP

**CDA-9852RB/CDA-9852RR/
CDE-9850Ri**

	R803	06S55365Y85	RES,RK 682J 1/10 -CP
	R804	06S35095Y16	RES,RK 303J 1/4 -CP
	R810	06S35083Y42	RES,RK 273F 1/4 -CP
#1	R811	06S70072F39	RES,CP .271-J-1/4-CP
\$1	R811	06S70072F39	RES,CP .271-J-1/4-CP
	R812	06S35083Y35	RES,RK 682F 1/4 -CP
	R813	06S70072F77	RES,CP .103-J-1/4-CP
	R814	06S35095Y08	RES,RK JUMPER 1/4-CP
	R816	06S35083Y31	RES,RK 332F 1/4 -CP
	R819	06S70072F61	RES,CP .222-J-1/4-CP
#1	R820	06S70072F39	RES,CP .271-J-1/4-CP
\$1	R820	06S70072F39	RES,CP .271-J-1/4-CP
	R825	06S45674W65	RES,RK 222J 1/10 -CP
	R826	06S45674W81	RES,RK 103J 1/10 -CP
	R828	06S70072F61	RES,CP .222-J-1/4-CP
	R829	06S35083Y45	RES,RK 473F 1/4 -CP
	RA502	06S45591W06	RES,ARY MNR102J 4-CP
	RA503	06S45591W07	RES,ARY MNR101J 4-CP
	SA001	48T81048F02	PTT,DSP-201M -RD
%1	SA5001	48T25171Y02	VST,SA-C2012-101 -CP
#1	SW301	40T45282W02	SW,SLIDE SLD-42-508X
\$1	SW301	40T45282W02	SW,SLIDE SLD-42-508X
	TH501	48T25250Y01	TMT,ERTJ1VV104J -CP
	XL051	91T25806W18	XTL,4.332M -AT51-TP
	XL501	91T55360Y06	XTL,6M-AT51-TP
	Z502	91T65112W06	EMI,BK2125HM102 -CP
	Z503	91T65112W06	EMI,BK2125HM102 -CP
%1	ZD5001	48-02645Z09	DIO,ZEN MAZ80360L-CP
	ZD801	48T25766W09	DIO,ZEN.HZS 6C3L -R5

=====FRONT P.W.Board

	C401	08S45677W60	CAP,CER 102J-CH1H-CP
	C402	08S45676W89	CAP,CER 473K-B1E -CP
	C404	08T81833F08	CAP,CER 475K-B1A -CP
	C405	08S45676W80	CAP,CER 223K-B1E -CP
	C406	08S45676W80	CAP,CER 223K-B1E -CP
	C407	08S35374W11	CAP,CER 475K-B0J -CP
	C408	08S45676W89	CAP,CER 473K-B1E -CP
	C409	08S45677W58	CAP,CER 821J-CH1H-CP
	C423	08S45676W80	CAP,CER 223K-B1E -CP
	D401	48T85357W01	DIO,1PS226 -CP
	D402	48T81063F01	DIO,CP.MA159 / TX-CP
	D404	48T81063F01	DIO,CP.MA159 / TX-CP
	D406	48T85357W01	DIO,1PS226 -CP
	D407	48T85357W01	DIO,1PS226 -CP
	D408	48T85357W01	DIO,1PS226 -CP
	D409	48T85357W01	DIO,1PS226 -CP
	D410	48T85357W01	DIO,1PS226 -CP
\$1	D411	48T81063F01	DIO,CP.MA159 / TX-CP
%1	D411	48T81063F01	DIO,CP.MA159 / TX-CP
#1	D412	48T81063F01	DIO,CP.MA159 / TX-CP
%1	D412	48T81063F01	DIO,CP.MA159 / TX-CP
	IC401	51-04007Z01	PT6530LQ(L) -QT
	IC402	51-05435Z01	SBX3055-02 -NE2
	LD401	48-00415Z02	LED,WHT NESW505CT-E2
	LD402	48-00415Z02	LED,WHT NESW505CT-E2
	LD403	48-00415Z02	LED,WHT NESW505CT-E2

**CDA-9852RB/CDA-9852RR/
CDE-9850Ri**

	LD404	48-00415Z02	LED,WHT NESW505CT-E2
	LD405	48T15521Y02	LED,RED SML-310LT-CP
	LD406	48T15521Y02	LED,RED SML-310LT-CP
%1	LD407	48T15521Y02	LED,RED SML-310LT-CP
\$1	LD414	48T15521Y02	LED,RED SML-310LT-CP
%1	LD414	48T15521Y02	LED,RED SML-310LT-CP
\$1	LD415	48T15521Y02	LED,RED SML-310LT-CP
%1	LD415	48T15521Y02	LED,RED SML-310LT-CP
\$1	LD416	48T15521Y02	LED,RED SML-310LT-CP
%1	LD416	48T15521Y02	LED,RED SML-310LT-CP
\$1	LD417	48T15521Y02	LED,RED SML-310LT-CP
%1	LD417	48T15521Y02	LED,RED SML-310LT-CP
\$1	LD418	48T15521Y02	LED,RED SML-310LT-CP
%1	LD418	48T15521Y02	LED,RED SML-310LT-CP
\$1	LD419	48T15521Y02	LED,RED SML-310LT-CP
%1	LD419	48T15521Y02	LED,RED SML-310LT-CP
\$1	LD420	48T15521Y02	LED,RED SML-310LT-CP
%1	LD420	48T15521Y02	LED,RED SML-310LT-CP
\$1	LD421	48T15521Y02	LED,RED SML-310LT-CP
%1	LD421	48T15521Y02	LED,RED SML-310LT-CP
\$1	LD422	48T15521Y02	LED,RED SML-310LT-CP
%1	LD422	48T15521Y02	LED,RED SML-310LT-CP
\$1	LD423	48T15521Y02	LED,RED SML-310LT-CP
%1	LD423	48T15521Y02	LED,RED SML-310LT-CP
\$1	LD424	48T15521Y02	LED,RED SML-310LT-CP
%1	LD424	48T15521Y02	LED,RED SML-310LT-CP
\$1	LD425	48T15521Y02	LED,RED SML-310LT-CP
%1	LD425	48T15521Y02	LED,RED SML-310LT-CP
\$1	LD426	48T15521Y02	LED,RED SML-310LT-CP
%1	LD426	48T15521Y02	LED,RED SML-310LT-CP
\$1	LD427	48T15521Y02	LED,RED SML-310LT-CP
%1	LD427	48T15521Y02	LED,RED SML-310LT-CP
\$1	LD428	48T15521Y02	LED,RED SML-310LT-CP
%1	LD428	48T15521Y02	LED,RED SML-310LT-CP
\$1	LD429	48T15521Y02	LED,RED SML-310LT-CP
%1	LD429	48T15521Y02	LED,RED SML-310LT-CP
\$1	LD430	48T15521Y02	LED,RED SML-310LT-CP
%1	LD430	48T15521Y02	LED,RED SML-310LT-CP
#1	LD435	48T15521Y07	LED,GRN 310PT-KL -CP
%1	LD435	48-01404Z01	LED,BLU SML512BC4TCP
#1	LD436	48T15521Y07	LED,GRN 310PT-KL -CP
%1	LD436	48-01404Z01	LED,BLU SML512BC4TCP
#1	LD437	48T15521Y07	LED,GRN 310PT-KL -CP
%1	LD437	48-01404Z01	LED,BLU SML512BC4TCP
#1	LD438	48T15521Y07	LED,GRN 310PT-KL -CP
%1	LD438	48-01404Z01	LED,BLU SML512BC4TCP
#1	LD439	48T15521Y07	LED,GRN 310PT-KL -CP
%1	LD439	48-01404Z01	LED,BLU SML512BC4TCP
#1	LD440	48T15521Y07	LED,GRN 310PT-KL -CP
%1	LD440	48-01404Z01	LED,BLU SML512BC4TCP
#1	LD441	48T15521Y07	LED,GRN 310PT-KL -CP
%1	LD441	48-01404Z01	LED,BLU SML512BC4TCP
#1	LD442	48T15521Y07	LED,GRN 310PT-KL -CP
%1	LD442	48-01404Z01	LED,BLU SML512BC4TCP
#1	LD443	48T15521Y07	LED,GRN 310PT-KL -CP
%1	LD443	48-01404Z01	LED,BLU SML512BC4TCP
#1	LD444	48T15521Y07	LED,GRN 310PT-KL -CP

**CDA-9852RB/CDA-9852RR/
CDE-9850Ri**

%1	LD444	48-01404Z01	LED,BLU SML512BC4TCP
#1	LD445	48T15521Y07	LED,GRN 310PT-KL -CP
%1	LD445	48-01404Z01	LED,BLU SML512BC4TCP
#1	LD446	48T15521Y07	LED,GRN 310PT-KL -CP
%1	LD446	48-01404Z01	LED,BLU SML512BC4TCP
#1	LD447	48T15521Y07	LED,GRN 310PT-KL -CP
%1	LD447	48-01404Z01	LED,BLU SML512BC4TCP
#1	LD448	48T15521Y07	LED,GRN 310PT-KL -CP
%1	LD448	48-01404Z01	LED,BLU SML512BC4TCP
#1	LD449	48T15521Y07	LED,GRN 310PT-KL -CP
%1	LD449	48-01404Z01	LED,BLU SML512BC4TCP
#1	LD450	48T15521Y07	LED,GRN 310PT-KL -CP
%1	LD450	48-01404Z01	LED,BLU SML512BC4TCP
#1	LD451	48T15521Y07	LED,GRN 310PT-KL -CP
%1	LD451	48-01404Z01	LED,BLU SML512BC4TCP
\$1	LD460	48T15521Y02	LED,RED SML-310LT-CP
%1	LD460	48T15521Y02	LED,RED SML-310LT-CP
\$1	LD461	48T15521Y02	LED,RED SML-310LT-CP
%1	LD461	48T15521Y02	LED,RED SML-310LT-CP
\$1	LD462	48T15521Y02	LED,RED SML-310LT-CP
%1	LD462	48T15521Y02	LED,RED SML-310LT-CP
\$1	LD463	48T15521Y02	LED,RED SML-310LT-CP
%1	LD463	48T15521Y02	LED,RED SML-310LT-CP
\$1	LD464	48T15521Y02	LED,RED SML-310LT-CP
%1	LD464	48T15521Y02	LED,RED SML-310LT-CP
\$1	LD465	48T15521Y02	LED,RED SML-310LT-CP
%1	LD465	48T15521Y02	LED,RED SML-310LT-CP
#1	LD472	48-05731Z01	LED,BLU SML012BCT-CP
%1	LD472	48-05731Z01	LED,BLU SML012BCT-CP
#1	LD473	48-05731Z01	LED,BLU SML012BCT-CP
%1	LD473	48-05731Z01	LED,BLU SML012BCT-CP
	Q407	48T62967F23	TR,DTC143TKA-T146-CP
#1	Q408	48T62967F23	TR,DTC143TKA-T146-CP
%1	Q408	48T62967F23	TR,DTC143TKA-T146-CP
	Q411	48T52438F04	TR ,2SD601A-S /TX-CP
\$1	Q413	48T62967F23	TR,DTC143TKA-T146-CP
%1	Q413	48T62967F23	TR,DTC143TKA-T146-CP
%1	Q415	48T63788F04	TR ,CP.2SD1328-T -TX
	Q416	48T52438F04	TR ,2SD601A-S /TX-CP
%1	Q417	48T62967F23	TR,DTC143TKA-T146-CP
\$1	Q418	48T63788F04	TR ,CP.2SD1328-T -TX
%1	Q418	48T63788F04	TR ,CP.2SD1328-T -TX
#1	Q419	48T63788F04	TR ,CP.2SD1328-T -TX
%1	Q419	48T63788F04	TR ,CP.2SD1328-T -TX
	Q420	48T62967F23	TR,DTC143TKA-T146-CP
#1	Q421	48T52438F04	TR ,2SD601A-S /TX-CP
%1	Q421	48T52438F04	TR ,2SD601A-S /TX-CP
	Q423	48T73023F01	TR ,2SD874A -E2
	R401	06S45674W93	RES,RK 333J 1/10 -CP
	R403	06S70072F35	RES,CP .181-J-1/4-CP
	R404	06S70072F35	RES,CP .181-J-1/4-CP
	R405	06S64995F53	RES,RK 102J 1/8 -CP
	R406	06S45675W06	RES,RK 104J 1/10 -CP
	R408	06S70072F69	RES,CP .472-J-1/4-CP
	R409	06S70072F31	RES,CP .121-J-1/4-CP
	R410	06S45674W73	RES,RK 472J 1/10 -CP
\$1	R411	06S70072F59	RES,CP .182-J-1/4-CP

**CDA-9852RB/CDA-9852RR/
CDE-9850Ri**

%1	R411	06S70072F59	RES,CP .182-J-1/4-CP
\$1	R412	06S70072F59	RES,CP .182-J-1/4-CP
%1	R412	06S70072F59	RES,CP .182-J-1/4-CP
#1	R415	06S70072F51	RES,CP .821-J-1/4-CP
%1	R415	06S70072F51	RES,CP .821-J-1/4-CP
#1	R420	06S55361Y62	RES,RK 751J 1/4 -CP
%1	R420	06S55361Y62	RES,RK 751J 1/4 -CP
#1	R422	06S45674W73	RES,RK 472J 1/10 -CP
%1	R422	06S45674W73	RES,RK 472J 1/10 -CP
	R423	06S55361Y57	RES,RK 471J 1/4 -CP
	R424	06S35095Y08	RES,RK JUMPER 1/4-CP
	R433	06S64995F29	RES,RK 101J 1/8 -CP
	R434	06S64995F53	RES,RK 102J 1/8 -CP
	R435	06S64995F53	RES,RK 102J 1/8 -CP
%1	R436	06S70072F53	RES,CP .102-J-1/4-CP
	R438	06S64995F53	RES,RK 102J 1/8 -CP
	R439	06S64995F53	RES,RK 102J 1/8 -CP
	R440	06S64995F53	RES,RK 102J 1/8 -CP
	R441	06S64995F53	RES,RK 102J 1/8 -CP
	R442	06S64995F53	RES,RK 102J 1/8 -CP
	R443	06S64995F53	RES,RK 102J 1/8 -CP
	R448	06S45674W73	RES,RK 472J 1/10 -CP
\$1	R449	06S45674W61	RES,RK 152J 1/10 -CP
%1	R449	06S45674W61	RES,RK 152J 1/10 -CP
#1	R450	06S45674W61	RES,RK 152J 1/10 -CP
%1	R450	06S45674W61	RES,RK 152J 1/10 -CP
#1	R451	06S35095Y08	RES,RK JUMPER 1/4-CP
%1	R451	06S70072F37	RES,CP .221-J-1/4-CP
%1	R452	06S45674W73	RES,RK 472J 1/10 -CP
	R459	06S70072F53	RES,CP .102-J-1/4-CP
\$1	R461	06S55361Y62	RES,RK 751J 1/4 -CP
%1	R461	06S55361Y62	RES,RK 751J 1/4 -CP
\$1	R462	06S55361Y62	RES,RK 751J 1/4 -CP
%1	R462	06S55361Y62	RES,RK 751J 1/4 -CP
\$1	R463	06S55361Y62	RES,RK 751J 1/4 -CP
%1	R463	06S55361Y62	RES,RK 751J 1/4 -CP
\$1	R464	06S55361Y62	RES,RK 751J 1/4 -CP
%1	R464	06S55361Y62	RES,RK 751J 1/4 -CP
\$1	R465	06S70072F53	RES,CP .102-J-1/4-CP
%1	R465	06S70072F53	RES,CP .102-J-1/4-CP
#1	R468	06S70072F46	RES,CP .511-J-1/4-CP
%1	R468	06S70072F57	RES,CP .152-J-1/4-CP
#1	R469	06S70072F46	RES,CP .511-J-1/4-CP
%1	R469	06S70072F57	RES,CP .152-J-1/4-CP
#1	R470	06S70072F46	RES,CP .511-J-1/4-CP
%1	R470	06S70072F57	RES,CP .152-J-1/4-CP
#1	R471	06S70072F46	RES,CP .511-J-1/4-CP
%1	R471	06S70072F57	RES,CP .152-J-1/4-CP
#1	R472	06S70072F46	RES,CP .511-J-1/4-CP
%1	R472	06S70072F57	RES,CP .152-J-1/4-CP
#1	R473	06S70072F46	RES,CP .511-J-1/4-CP
%1	R473	06S70072F57	RES,CP .152-J-1/4-CP
#1	R474	06S70072F46	RES,CP .511-J-1/4-CP
%1	R474	06S70072F57	RES,CP .152-J-1/4-CP
#1	R475	06S70072F46	RES,CP .511-J-1/4-CP
%1	R475	06S70072F57	RES,CP .152-J-1/4-CP
#1	R476	06S70072F51	RES,CP .821-J-1/4-CP

**CDA-9852RB/CDA-9852RR/
CDE-9850Ri**

%1	R476	06S70072F61	RES,CP .222-J-1/4-CP
	RA401	06S45591W06	RES,ARY MNR102J 4-CP
	RA402	06S45591W06	RES,ARY MNR102J 4-CP
	SW401	40T65353Y01	SW,TACT SKRSPACE010E2
	SW402	40T65353Y01	SW,TACT SKRSPACE010E2
	SW403	40T65353Y01	SW,TACT SKRSPACE010E2
	SW404	40T65353Y01	SW,TACT SKRSPACE010E2
	SW405	40T65353Y01	SW,TACT SKRSPACE010E2
	SW406	40T65353Y01	SW,TACT SKRSPACE010E2
	SW407	40T65353Y01	SW,TACT SKRSPACE010E2
	SW408	40T65353Y01	SW,TACT SKRSPACE010E2
	SW409	40T65353Y01	SW,TACT SKRSPACE010E2
	SW410	40T65353Y01	SW,TACT SKRSPACE010E2
	SW411	40T65353Y01	SW,TACT SKRSPACE010E2
	SW412	40T65353Y01	SW,TACT SKRSPACE010E2
	SW413	40T65353Y01	SW,TACT SKRSPACE010E2
	SW414	40T65353Y01	SW,TACT SKRSPACE010E2
	SW415	40T65353Y01	SW,TACT SKRSPACE010E2
	SW416	40T65353Y01	SW,TACT SKRSPACE010E2
	SW417	40T65353Y01	SW,TACT SKRSPACE010E2
	SW418	40T65353Y01	SW,TACT SKRSPACE010E2
	SW419	40T65353Y01	SW,TACT SKRSPACE010E2
	ZD423	48-02645Z36	DIO,ZEN MAZ80820H-CP

=====ESC P.W.Board

CB6001	09T75237Y20	BTB,BTFW20P-3SSTA-EJ
LD6001	48T65688Y01	LED,AMB SML-511DW-CP
LD6002	48-05183Z01	LED,AMB SML-A12DT-CP
LD6003	48-05183Z01	LED,AMB SML-A12DT-CP
Q6001	48T62967F25	TR,DTC123JKA-T146-CP
R6001	06S70072F69	RES,CP .472-J-1/4-CP
R6002	06S55361Y93	RES,RK 153J 1/4 -CP
SW6002	40T65353Y01	SW,TACT SKRSPACE010E2
ZD6001	48-02645Z22	DIO,ZEN MAZ80560L-CP

=====DP-S MAIN P.W.Board

C101	08S45676W73	CAP,CER.103K-B1H -CP
C102	08S45676W80	CAP,CER 223K-B1E -CP
C103	08S45676W80	CAP,CER 223K-B1E -CP
C104	08S45676W89	CAP,CER 473K-B1E -CP
C105	08S45676W89	CAP,CER 473K-B1E -CP
C106	08S45677W20	CAP,CER.22RJ-CH1H-CP
C108	08S45677W05	CAP,CER.3R0C-CH1H-CP
C109	08S45677W28	CAP,CER 47RJ-CH1H-CP
C110	08S45676W85	CAP,CER 104K-B1C -CP
C111	08S45676W85	CAP,CER 104K-B1C -CP
C112	08S45676W69	CAP,CER.472K-B1H -CP
C113	08S45676W85	CAP,CER 104K-B1C -CP
C114	08S45677W28	CAP,CER 47RJ-CH1H-CP
C115	08S45676W75	CAP,CER.153K-B1H -CP
C116	08S45676W73	CAP,CER.103K-B1H -CP
C117	08S45676W66	CAP,CER.272K-B1H -CP
C118	08S45676W73	CAP,CER.103K-B1H -CP
C119	08S45676W85	CAP,CER 104K-B1C -CP
C120	08S45676W87	CAP,CER 333K-B1E -CP
C121	08S45676W73	CAP,CER.103K-B1H -CP
C122	08S45676W73	CAP,CER.103K-B1H -CP

**CDA-9852RB/CDA-9852RR/
CDE-9850Ri**

C123	08S45676W89	CAP,CER 473K-B1E -CP
C124	08S45676W89	CAP,CER 473K-B1E -CP
C125	08S82122F63	CAP,CER 122J-CH1H-CP
C126	08S45676W65	CAP,CER.222K-B1H -CP
C127	08S45676W73	CAP,CER.103K-B1H -CP
C128	08S45676W73	CAP,CER.103K-B1H -CP
C129	08S45676W85	CAP,CER 104K-B1C -CP
C130	08S45676W85	CAP,CER 104K-B1C -CP
C131	08S45676W85	CAP,CER 104K-B1C -CP
C132	08S35350Y05	CAP,CER 105K-B1A -CP
C133	08S45676W85	CAP,CER 104K-B1C -CP
C134	08S45676W85	CAP,CER 104K-B1C -CP
C135	08S45676W85	CAP,CER 104K-B1C -CP
C136	08S45676W73	CAP,CER.103K-B1H -CP
C138	08S45677W42	CAP,CER.181J-CH1H-CP
C139	08S35349Y17	CAP,CER 225K-B0J -CP
C140	08S45676W85	CAP,CER 104K-B1C -CP
C142	08S45676W85	CAP,CER 104K-B1C -CP
C143	08T81833F12	CAP,CER 106K-B1A -CP
C144	08T81833F12	CAP,CER 106K-B1A -CP
C145	08T81833F12	CAP,CER 106K-B1A -CP
C201	08S45676W80	CAP,CER 223K-B1E -CP
C202	08S45677W14	CAP,CER.12RJ-CH1H-CP
C203	08S45677W12	CAP,CER.10RD-CH1H-CP
C204	08S45676W85	CAP,CER 104K-B1C -CP
C205	08S35374W07	CAP,CER 334K-B1C -CP
C206	08S45677W44	CAP,CER.221J-CH1H-CP
C207	08S35350Y05	CAP,CER 105K-B1A -CP
C208	08S45676W85	CAP,CER 104K-B1C -CP
C209	08S35350Y05	CAP,CER 105K-B1A -CP
C210	08S45676W85	CAP,CER 104K-B1C -CP
C212	08S45676W85	CAP,CER 104K-B1C -CP
C213	08S45676W85	CAP,CER 104K-B1C -CP
C214	08S45676W85	CAP,CER 104K-B1C -CP
C215	08S45676W69	CAP,CER.472K-B1H -CP
C216	08S45676W69	CAP,CER.472K-B1H -CP
C217	08S45676W73	CAP,CER.103K-B1H -CP
C218	08S45676W73	CAP,CER.103K-B1H -CP
C219	08S45676W85	CAP,CER 104K-B1C -CP
C220	08S45677W18	CAP,CER.18RJ-CH1H-CP
C221	08T65231Y01	CAP,CER 226K-BJ1A-CP
C301	08S45677W52	CAP,CER 471J-CH1H-CP
C302	08S45676W80	CAP,CER 223K-B1E -CP
C303	08S45676W80	CAP,CER 223K-B1E -CP
C304	08S45677W52	CAP,CER 471J-CH1H-CP
C305	08S45676W73	CAP,CER.103K-B1H -CP
C306	08S45676W80	CAP,CER 223K-B1E -CP
C307	08S45676W85	CAP,CER 104K-B1C -CP
C308	08S45676W85	CAP,CER 104K-B1C -CP
C309	08S45676W87	CAP,CER 333K-B1E -CP
C310	08S35349Y17	CAP,CER 225K-B0J -CP
C311	08S45676W85	CAP,CER 104K-B1C -CP
C801	08S45676W80	CAP,CER 223K-B1E -CP
C802	08S45676W85	CAP,CER 104K-B1C -CP
C803	08S45676W80	CAP,CER 223K-B1E -CP
C804	08S45676W85	CAP,CER 104K-B1C -CP
C805	08S45676W80	CAP,CER 223K-B1E -CP

**CDA-9852RB/CDA-9852RR/
CDE-9850Ri**

C806	08S45676W80	CAP,CER 223K-B1E -CP
C807	08S45676W80	CAP,CER 223K-B1E -CP
CB101	09T55174Y15	FFC,IMSA9616S-15Y-ED
CB103	09T55174Y07	FFC,IMSA9616S-07Y-E9
CB104	09T55174Y22	FFC,IMSA9616S-22Y-EQ
CL101	91T65422Y01	OSC,CER CSTCG27M0-CP
D101	48T55105Y01	DIO,SHT RB161M-20-CP
E102	23T45152Y02	CAP,RA 47R-05 -E5
E105	23T45152Y03	CAP,RA 22R-OJ -E5
E106	23T45152Y04	CAP,RA 10R-1C -E5
E107	23T45152Y04	CAP,RA 10R-1C -E5
E108	23T45152Y03	CAP,RA 22R-OJ -E5
E201	23T45152Y02	CAP,RA 47R-05 -E5
E202	23T45152Y02	CAP,RA 47R-05 -E5
E203	23T45152Y02	CAP,RA 47R-05 -E5
E204	23T45152Y03	CAP,RA 22R-OJ -E5
E205	23T45152Y03	CAP,RA 22R-OJ -E5
E206	23T45152Y03	CAP,RA 22R-OJ -E5
E801	23T45152Y02	CAP,RA 47R-05 -E5
E802	23T45152Y05	CAP,RA 4R7-1V -E5
E803	23T45152Y02	CAP,RA 47R-05 -E5
E804	23T45152Y02	CAP,RA 47R-05 -E5
IC101	51T55083Y01	TA2157FN-EL -SE6
IC102	51T55086Y01	TC94A14FA -QT
IC103	51T25503Y01	BA5985FM-E2 -SEA
IC104	51T65105Y04	IC,TMP91CP27UG-A04QT
IC201	51T55534Y02	TC94A20F-008 -QT
IC301	51T45307Y01	TC7S66FU-TE85L -CP
IC302	51T15185Y01	TC7SH08FU-TE85L -CP
IC303	51T25330Y01	TC7WH123FU-TE12L-SE1
IC304	51T55166Y01	NJM2100V-TE2 -SE2
IC801	51T35243Y02	RN5RZ25BA-TR -CP
IC802	51T35243Y02	RN5RZ25BA-TR -CP
L101	91T15509Y08	EMI,BK1608HM102 -CP
L102	91T15509Y08	EMI,BK1608HM102 -CP
L201	24T25164Y21	IND,FSLM2520 4R7J-CP
L202	24T25164Y21	IND,FSLM2520 4R7J-CP
L203	24T25164Y21	IND,FSLM2520 4R7J-CP
L204	24T25164Y33	IND,FSLM2520 47RJ-CP
Q101	48T55462Y01	TR,2SB1132-QR-100-E2
Q102	48T45251W53	TR ,UN5112 22-22 -CP
Q301	48T45251W03	TR ,UN5212 22-22 -CP
Q801	48T25462Y02	TR,UNR212X-00L -CP
Q802	48T45251W03	TR ,UN5212 22-22 -CP
Q803	48T45594W12	TR ,XN1A312 -TX-CP
R101	06S45675W05	RES,RK 913J 1/10 -CP
R102	06S45675W05	RES,RK 913J 1/10 -CP
R103	06S45674W97	RES,RK 473J 1/10 -CP
R104	06S45674W97	RES,RK 473J 1/10 -CP
R105	06S45675W45	RES,RK 1R0J 1/10 -CP
R106	06S45674W95	RES,RK 393J 1/10 -CP
R109	06S45674W85	RES,RK 153J 1/10 -CP
R110	06S45674W73	RES,RK 472J 1/10 -CP
R111	06S45674W73	RES,RK 472J 1/10 -CP
R112	06S45674W71	RES,RK 392J 1/10 -CP
R113	06S45674W33	RES,RK 101J 1/10 -CP
R114	06S45674W95	RES,RK 393J 1/10 -CP

**CDA-9852RB/CDA-9852RR/
CDE-9850Ri**

R115	06S45674W33	RES,RK 101J 1/10 -CP
R116	06S45674W57	RES,RK 102J 1/10 -CP
R117	06S45674W33	RES,RK 101J 1/10 -CP
R118	06S45675W34	RES,RK 225J 1/10 -CP
R119	06S45675W22	RES,RK 474J 1/10 -CP
R120	06S45674W97	RES,RK 473J 1/10 -CP
R121	06S45674W75	RES,RK 562J 1/10 -CP
R122	06S45674W85	RES,RK 153J 1/10 -CP
R123	06S45674W81	RES,RK 103J 1/10 -CP
R124	06S45674W57	RES,RK 102J 1/10 -CP
R125	06S45674W69	RES,RK 332J 1/10 -CP
R126	06S45674W69	RES,RK 332J 1/10 -CP
R127	06S45674W57	RES,RK 102J 1/10 -CP
R128	06S45674W57	RES,RK 102J 1/10 -CP
R129	06S45674W57	RES,RK 102J 1/10 -CP
R130	06S45674W57	RES,RK 102J 1/10 -CP
R131	06S45674W33	RES,RK 101J 1/10 -CP
R132	06S45674W33	RES,RK 101J 1/10 -CP
R133	06S45674W91	RES,RK 273J 1/10 -CP
R134	06S45674W81	RES,RK 103J 1/10 -CP
R135	06S45674W81	RES,RK 103J 1/10 -CP
R136	06S45674W81	RES,RK 103J 1/10 -CP
R137	06S45674W81	RES,RK 103J 1/10 -CP
R138	06S45674W81	RES,RK 103J 1/10 -CP
R139	06S45674W77	RES,RK 682J 1/10 -CP
R140	06S45674W89	RES,RK 223J 1/10 -CP
R141	06S45675W05	RES,RK 913J 1/10 -CP
R142	06S45674W95	RES,RK 393J 1/10 -CP
R143	06S45674W42	RES,RK 241J-1/10 -CP
R144	06S45675W08	RES,RK 124J 1/10 -CP
R145	06S45674W33	RES,RK 101J 1/10 -CP
R146	06S45674W33	RES,RK 101J 1/10 -CP
R147	06S45675W06	RES,RK 104J 1/10 -CP
R148	06S45674W97	RES,RK 473J 1/10 -CP
R149	06S45674W97	RES,RK 473J 1/10 -CP
R150	06S45674W33	RES,RK 101J 1/10 -CP
R151	06S45674W53	RES,RK 681J 1/10 -CP
R152	06S45674W33	RES,RK 101J 1/10 -CP
R153	06S45674W41	RES,RK 221J 1/10 -CP
R154	06S45674W33	RES,RK 101J 1/10 -CP
R156	06S45674W97	RES,RK 473J 1/10 -CP
R157	06S45674W33	RES,RK 101J 1/10 -CP
R158	06S45674W33	RES,RK 101J 1/10 -CP
R159	06S45674W33	RES,RK 101J 1/10 -CP
R160	06S45674W65	RES,RK 222J 1/10 -CP
R161	06S45674W65	RES,RK 222J 1/10 -CP
R164	06S45674W97	RES,RK 473J 1/10 -CP
R166	06S45674W33	RES,RK 101J 1/10 -CP
R167	06S45675W30	RES,RK 105J 1/10 -CP
R168	06S45674W33	RES,RK 101J 1/10 -CP
R169	06S45674W97	RES,RK 473J 1/10 -CP
R171	06S45674W97	RES,RK 473J 1/10 -CP
R172	06S45674W97	RES,RK 473J 1/10 -CP
R173	06S45675W06	RES,RK 104J 1/10 -CP
R174	06S45674W97	RES,RK 473J 1/10 -CP
R175	06S45674W97	RES,RK 473J 1/10 -CP
R176	06S45674W97	RES,RK 473J 1/10 -CP

**CDA-9852RB/CDA-9852RR/
CDE-9850Ri**

R181	06S45674W41	RES,RK 221J 1/10 -CP
R182	06S45674W41	RES,RK 221J 1/10 -CP
R183	06S45674W41	RES,RK 221J 1/10 -CP
R184	06S45674W33	RES,RK 101J 1/10 -CP
R201	06S45675W30	RES,RK 105J 1/10 -CP
R202	06S45674W25	RES,RK 47RJ 1/10 -CP
R203	06S45674W41	RES,RK 221J 1/10 -CP
R204	06S45674W45	RES,RK 331J 1/10 -CP
R205	06S45674W45	RES,RK 331J 1/10 -CP
R206	06S45674W97	RES,RK 473J 1/10 -CP
R207	06S45674W97	RES,RK 473J 1/10 -CP
R208	06S45674W33	RES,RK 101J 1/10 -CP
R209	06S45674W33	RES,RK 101J 1/10 -CP
R210	06S45675W24	RES,RK 564J 1/10 -CP
R211	06S45675W02	RES,RK 683J 1/10 -CP
R212	06S45674W35	RES,RK 121J 1/10 -CP
R213	06S45674W35	RES,RK 121J 1/10 -CP
R214	06S45674W28	RES,RK 62RJ 1/10 -CP
R215	06S45674W28	RES,RK 62RJ 1/10 -CP
R216	06S45674W37	RES,RK 151J 1/10 -CP
R301	06S45675W18	RES,RK 334J 1/10 -CP
R302	06S45674W97	RES,RK 473J 1/10 -CP
R305	06S45675W43	RES,RK JUMPER1/10-CP
R306	06S45674W97	RES,RK 473J 1/10 -CP
R307	06S45674W81	RES,RK 103J 1/10 -CP
R308	06S45674W81	RES,RK 103J 1/10 -CP
R309	06S45674W97	RES,RK 473J 1/10 -CP
R310	06S45674W69	RES,RK 332J 1/10 -CP
R311	06S45674W57	RES,RK 102J 1/10 -CP
R312	06S45674W97	RES,RK 473J 1/10 -CP
R313	06S45674W89	RES,RK 223J 1/10 -CP
R314	06S45675W14	RES,RK 224J 1/10 -CP
R315	06S45675W43	RES,RK JUMPER1/10-CP
R801	06S45675W22	RES,RK 474J 1/10 -CP
R802	06S45675W18	RES,RK 334J 1/10 -CP
R803	06S45674W97	RES,RK 473J 1/10 -CP
R805	06S45675W06	RES,RK 104J 1/10 -CP
R806	06S45675W06	RES,RK 104J 1/10 -CP
R808	06S45674W49	RES,RK 471J 1/10 -CP
R810	06S45674W49	RES,RK 471J 1/10 -CP
R812	06S45674W97	RES,RK 473J 1/10 -CP
R813	06S45674W97	RES,RK 473J 1/10 -CP
R814	06S45674W97	RES,RK 473J 1/10 -CP
R815	06S45674W97	RES,RK 473J 1/10 -CP
RA102	06S45591W15	RES,ARY MNR472J 4-CP
RA103	06S45591W15	RES,ARY MNR472J 4-CP
RA104	06S45591W02	RES,ARY MNR473J 4-CP
RA105	06S45591W02	RES,ARY MNR473J 4-CP
RA106	06S45591W02	RES,ARY MNR473J 4-CP
RA107	06S45591W02	RES,ARY MNR473J 4-CP
RA108	06S45591W14	RES,ARY MNR471J 4-CP
RA109	06S45591W14	RES,ARY MNR471J 4-CP
RA110	06S45591W02	RES,ARY MNR473J 4-CP
RA111	06S45591W02	RES,ARY MNR473J 4-CP
RA112	06S45591W02	RES,ARY MNR473J 4-CP
RA113	06S45591W02	RES,ARY MNR473J 4-CP
XL201	91T35227Y01	XTL,CS10 16.9344M-E2

**CDA-9852RB/CDA-9852RR/
CDE-9850Ri**

=====Miscellaneous

	ANT001	09-06101Z01	ASSY,ANT CABLE 9854R
	CB302	09-02600Z01	RCA,AV2-8.4-901D -DB
	CB401	09-04216Z01	BTB,DH16-P -B
	CB802	24-02502Z01	ASSY,W277A001 -DB
	CB6002	09-04217Z01	BTB,DH16-S -B
#1	DIN801	09T55071W11	CON,TCP9389-11 -DT
\$1	DIN801	09T55071W11	CON,TCP9389-11 -DT
%1	ET5001	09-05916Z01	ASSY,ANID-0027-02A
	JK581	09T03156K01	JAC,CK-3.5-14 -DB
	LCD401	65-04381Z01	LCD,GTD-23090AAHK
	SW420	40-04208Z01	ENC,EC11F152T402 -DB
	SW501	40T16096W03	SW ,TACT SKHHLW
	SW6001	40-03466Z01	SW,DETCT SPVM1101-E5

=====DP23S8DA

	HD101	81B70291Y01	PICKUP,EP21A67T
	M101	01V58700Y85	ASSY,MOTOR WORM
	M102	01V76400Y18	ASSY,MOTOR SLED 2B0
	M103	01V56100Y11	ASSY,MTR SPINDOL 2B0
	SW1	40T15494Y07	SW,DETCT SPVG21 -E6
	SW105	40T71025F03	SW,DETCT SPPB120
	SW2	40T15494Y08	SW,DETCT SPVG11 -E6
	SW3	40T15494Y07	SW,DETCT SPVG21 -E6
	SW4	40T15494Y07	SW,DETCT SPVG21 -E6

Cabinet Assembly Parts List

NOTE : The part that has not PART NUMBER will not be supplied.

#1 : For CDA-9852RB Model Only, \$1 : For CDA-9852RR Model Only,
%1 : For CDE-9850Ri Model Only, Others : Common.

#1	1	EN-05303Z02	NOSE,PIECE ASSY
\$1	1	EN-05303Z03	NOSE,PIECE ASSY
%1	1	EN-05303Z04	NOSE,PIECE ASSY
	2	-----	COVER, TOP
	3	-----	CHAS,RIV BASE
	5	15-05230Z01	COVER,LCD
	6	26-05514Z01	REF,SHEET(FLAT)
	7	15-05233Z01	CASE,LCD ASSY
	8	75T03213K03	RUBBER,ELECTRIC
	9	03S60822Y42	SCR,S-T 2X4 ZN A
	11	03S94385F13	SCR,NYLOK M2.6X3
	12	-----	BKT,CHAS REAR
	13	03S60825Y04	SCR,B-T 3X8 ZN A
	14	75-06068Z10	CUS,RUB 12X6XT2.5
	15	TU-04072Z01	TUNER,TFTE1E112A(TU001)
	17	30T03013K14	SMCD22X161.5ADX6(BL)
	18	DP-01886Z01	DP23S8DA
	19	03S70691Y11	SCR,B-T 1.7X8 ZB A
#1	20	13-05224Z02	NOSE,BOTTOM
\$1	20	13-05224Z01	NOSE,BOTTOM
%1	20	13-05224Z02	NOSE,BOTTOM
#1	21	36-05293Z02	KNOB,ROTARY ASSY
\$1	21	36-05293Z01	KNOB,ROTARY ASSY
%1	21	36-05293Z02	KNOB,ROTARY ASSY
	22	14-05493Z01	INSULATOR,MAIN(FLAT)
	23	EN-05507Z01	NOSE,BASE ASSY
	24	07-03994Z01	BKT,SIDE L
#1	25	33-05994Z01	FACE,PLATE
\$1	25	33-05994Z02	FACE,PLATE
%1	25	33-05994Z01	FACE,PLATE
	26	-----	HEAT,SINK
	27	07-03994Z02	BKT,SIDE R
	28	03T25225Y01	SCR,GND
	29	03S60822Y10	SCR,S-T 2.6X5 ZN A
	30	03S60825Y09	SCR,B-T 3X6 ZN A
	31	-----	HEAT,SINK
	32	03S60822Y19	SCR,S-T 2.6X10 ZN A
	33	03S60822Y23	SCR,S-T 2.6X16 ZN A
	34	75-06068Z03	CUS,RUB 110X5XT6
	35	14-05623Z01	INSULATOR,COVER
	36	14-06154Z01	INS,COVER TOP
#1	37	66-05403Z08	ASSY,NOSE UNIT MFAG501A
\$1	37	66-05403Z09	ASSY,NOSE UNIT MFAG509A
%1	37	66-05403Z10	ASSY,NOSE UNIT MFAG508A
#1	38	36A04141K02	KNOB,SLIDE
\$1	38	36A04141K02	KNOB,SLIDE
	39	64A51492W01	PLATE,SERIAL NO.
%1	40	09T84840F01	LUG,STYLE 18MM
	41	41-05515Z01	SPRING,OPEN

CD Deck Mechanism Assembly Parts List

NOTE : The part that has not PART NUMBER will not be supplied.

1	01V74100Y62	ASSY,ARM GUIDE 8B0
2	-----	CHAS, TOP
3	45B11564Y08	LEVER, LINK TOP
4	45B11595Y16	LEVER, DISC(R)
5	45B11596Y16	LEVER, DISC(L)
6	41B11613Y16	SPRING, PULL
7	15D70687Y02	GUIDE, TOP-DPS3
9	07C40522Y02	BKT, MOTOR LOAD
10	03S60821Y02	SCR, WAS 2X4 ZN A
11	44B11578Y02	GEAR, (A)
12	44B11579Y02	GEAR, (B)
13	44B11580Y02	GEAR, (C)
14	45A70140Y06	LEVER, LOCK R
15	41A70201Y01	SPRING, LOCK
19	27D11602Y06	CHASSIS, PICKUP
20	47A11575Y08	SHAFT, PICK
21	01V28100Y59	ASSY, SHAFT. SCREW
22	44A70590W03	GEAR, MIDDLE
23	03S60820Y05	SCR, MCH 1.7X3.5 ZN A
24	07B30337Y02	BKT, SPRING NUT
25	41A11606Y08	SPRING NUT
26	03S94385F18	SCR, NYLOK M2X3.5
27	84T01803K01	PANEL, FPC CONT
28	41B11566Y08	SPRING, SHAFT
29	03S70693Y06	SCR, P-T 2X6 ZB A
30	-----	ASSY, RIV. ARM CLAMP
31	-----	LEVER, LOCK
32	07A70119Y08	BKT, CLAMPER
33	03A60837Y01	SCR, CUS 2X3.5 ZN A
34	43A70141Y02	TABLE, CLAMPER
36	-----	SLIDER DISC
37	45A11599Y02	LEVER, ACTUATOR
38	41B11613Y03	SPRING, PULL
39	41B11613Y05	SPRING, LEV-ACT
40	41A11609Y01	SPRING, LEVER
41	41A70118Y08	SPG, LEVER
42	41B11613Y15	SPRING, PULL
43	41A11040Y08	SPRING, SLED-HOE
44	03S70693Y12	SCR, P-T 1.4X4.5 ZB A
45	43A21240Y01	SHEET, FPC PICK
46	-----	ASSY, RIV. CHAS BASE
47	45B40510Y08	SLIDER, LOAD
48	44B40527Y02	RACK
49	45A11601Y02	LEVER, TRIGGER
50	44B11581Y02	GEAR, (D)
51	45B11594Y02	SLIDER, LOCK(L)
52	45A11592Y02	ARM, LOCK(L2)
53	03-02091Z01	SCR, S-T 2X3 ZN A
54	45B11591Y02	ARM, LOCK(L1)
55	07A11585Y02	BKT, MOTOR WIRE
56	45B70139Y06	SLIDEER, LOCK R
57	45B70176Y06	ARM, LOCK R

**CDA-9852RB/CDA-9852RR/
CDE-9850Ri**

58	45A11597Y02	LEVER,SW
59	41B11613Y04	SPRING,TRIGER
60	75-01243Z01	DAMPER,DPS3
61	41B11613Y06	SPRING,PULL
62	41B11613Y07	SPRING,PULL
63	41B11613Y08	SPRING,PULL
64	41A40518Y01	SPRING,ROL
65	41A31894Y02	SPRING,SLIDER
66	-----	BKT,SP-TOP
67	03A60837Y01	SCR,CUS 2X3.5 ZN A
68	07B20905Y02	BKT,FPC CONT
69	30T15126W15	WIRE,PC JOINT 7P
71	14A60693Y01	INS,CVR
72	41A21613Y02	SPRING,SPINDLE
73	43A31443Y21	ROLLER,ARM DISC (C)
74	41B11613Y14	SPLING,PULL
75	75-01243Z02	DAMPER,DPS3
76	04B41345P52	WASH,1.6X3.5X0.25
77	44B40523Y02	GEAR,BASE
78	04A40528Y01	WASHER,FELT
79	44A40524Y02	GEAR,CLUTCH
80	41A40529Y01	SPRING,CLUTCH
81	44A40525Y02	GEAR,PINION
82	15A40526Y02	HOLDER,CLUTCH
83	04B41345P25	WASH,L. 3.1X6X0.35
84	43A41446Y02	SLEEVE,CLUTCH
86	03S44205G99	SCR,T-TITE M2X3
89	75A70233Y02	CUSHION,2F0