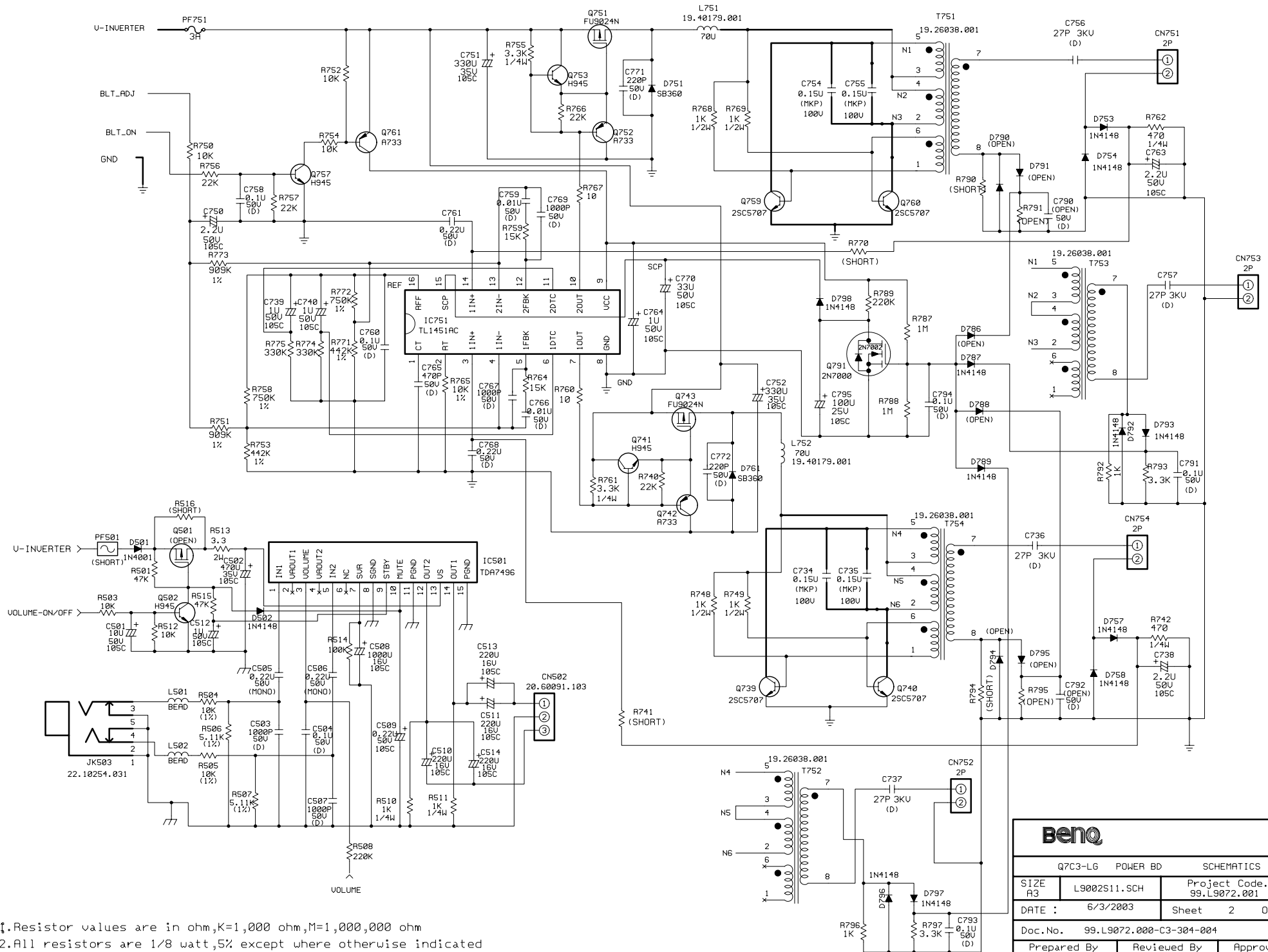


Q7C3-LG POWER BD SCHEMATICS

SIZE A4	L9002S11.SCH	Project Code. 99.L9072.001	REV. 0
DATE : 6/3/2003		Sheet 1 OF 2	
Doc.No. 99.L9072.000-C3-304-004			
Prepared By ANGEL HU 6/3/2003	Reviewed By GEORGE SHEU 6/3/2003	Approved By H.J. WONG 6/3/2003	

NOTES: 1. Resistor values are in ohm, K=1,000 ohm, M=1,000,000 ohm
 2. All resistors are 1/8 watt, 5% except where otherwise indicated
 3. --- --- --- Represents PCB common ground.



- NOTES:
1. Resistor values are in ohm, K=1,000 ohm, M=1,000,000 ohm
 2. All resistors are 1/8 watt, 5% except where otherwise indicated
 3. ∇ ∇ ∇ Represents PCB common ground.

BenQ			
Q7C3-LG POWER BD		SCHEMATICS	
SIZE A3	L9002S11.SCH	Project Code. 99.L9072.001	REV. 0
DATE :	6/3/2003	Sheet 2	OF 2
Doc. No. 99.L9072.000-C3-304-004			
Prepared By ANGEL HU 6/3/2003	Reviewed By REGORGE SHEU 6/3/2003	Approved By H. J. WONG 6/3/2003	