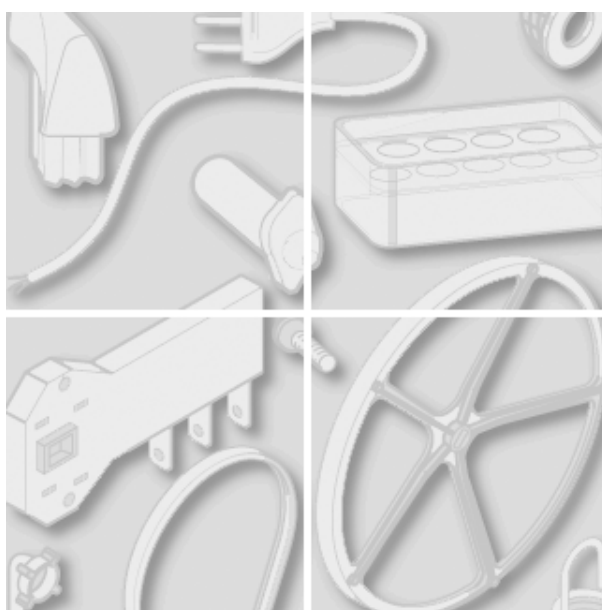


**Indesit** Company



Model type:  
**AS1047CTXEX**

Commercial code:  
**14462**

## General notes

### Technical Documentation guidelines

---

---

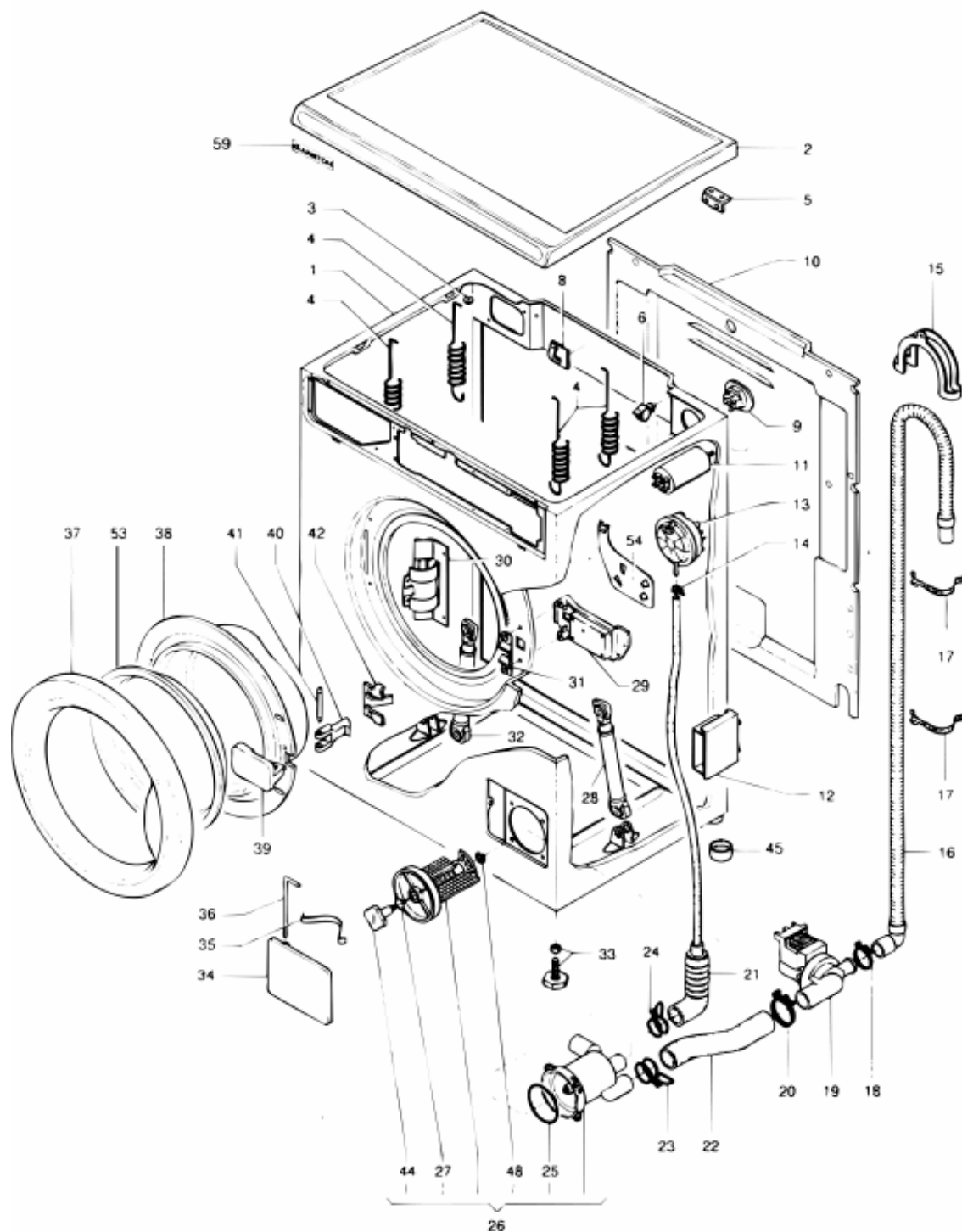
You can find herewith some generic information to simplify consulting of technical documentation:

1. Models of same range share the same exploded views, which report the richest set of spare parts: generally, a model does not necessarily have a related spare part for each particular shown on exploded views.
2. Some spare parts can not be represented directly on the exploded views (instruction booklets, specific kit, etc...). You can find those codes in the spare parts list with the same reference of particular where spares are installed or with references 099, 999. Instruction booklets, once managed, appear with 000 reference.
3. On the higher right site of each exploded view there is a serial number which indicates the beginning of the production of certain range: some models might have more than an exploded view for a given category, each distinguished by a different serial no. and linked to another spare parts list, In this case, serial no. is required to supply the right spare part code. Exploded view to be considered is the one with a more recent serial no. but previous than the one of the model that needs assistance.
4. Exploded views might require further updates even after publishing. Addition of new spares will go on following the already existing numeration references. Revision number of an exploded view is shown into last four digits of serial number into upper right hand corner.
5. The spare parts list associated to an exploded view shows related codes of spares managed for a certain model; for each spare part other informations are available:  
  
REF: reference no of spare into a table; SUBSTITUTE: list of spare(s) which can replace a code but that keeps same functional characteristics  
  
INDUSTRIAL CODE: list of variables of a model (shown into model label) where such spare is used; NOTICE: code of information(s) to refer to complete technical intervention, track for changes or to find correct spare part code.
6. Some notices, into a same section are generic therefore cannot be directly linked to a spare part. In order to assist a model in the best way as possible, it is helpful to pay attention to all notices and constantly verify documentation updates
7. Technical documentation cover shows model name and its commercial codes

1070470

Exploded views

Matr. 60520.0001



1070470

Spare parts list

Ref.	Code	С сер.№	По	Substitute	Description	Notice	Industrial
000	C00050888				user instructions booklet		
001	C00050545				корпус		
002	C00050546				крышка	0107550	
003	C00050547			1 x C00036041	suspension spring anchorage pad		
004	C00013759			1 x C00036005	пружина бака		
005	C00042538				fixing top panel	0107550	
006	C00041581				wiring support		
008	C00041575				крючок самоклеящийся		
010	C00050549				панель задняя		
011	C00050550				шумопоглощающ. фильтр radio		
011	C00057636				шумопоглощающий фильтр		
012	C00050551			1 x C00057256	electronic module		
013	C00050552				реле давления 4 ур.	0107520	
013	C00053398				реле давления 2+1 ур.	0107520	
014	C00051541				клавиша	0107520	
015	C00036145			1 x C00019902	держатель сливного шланга		
016	C00050553				сливной шланг		
019	C00050554				насос 230 в/50 гц		
021	C00041570				воздухоуловитель	0107520	
021	C00051552				труба реле давления	0107520	
021	C00053409				воздухоуловитель	0107520	
022	C00050555				hose filter to pump		
023	C00051547				зажим	0107520	
023	C00051549			1 x C00061958	binding	0107520	
023	C00052721				binding	0107520	
025	C00050556				прокладка фильтра		
025	C00058943				шланг, соединяющ. фильтр с		
025	C00058944				прокладка фильтра		
026	C00041572				фильтр в комплекте	0107520	
026	C00050557				фильтр в комплекте		
026	C00058945				фильтр в комплекте	0107520	
027	C00050559				прокладка винта фильтра		
028	C00050560				прав. длин. амортизатор		
029	C00036683				микровыключатель		
030	C00050561				петля люка в сборе		

1070470

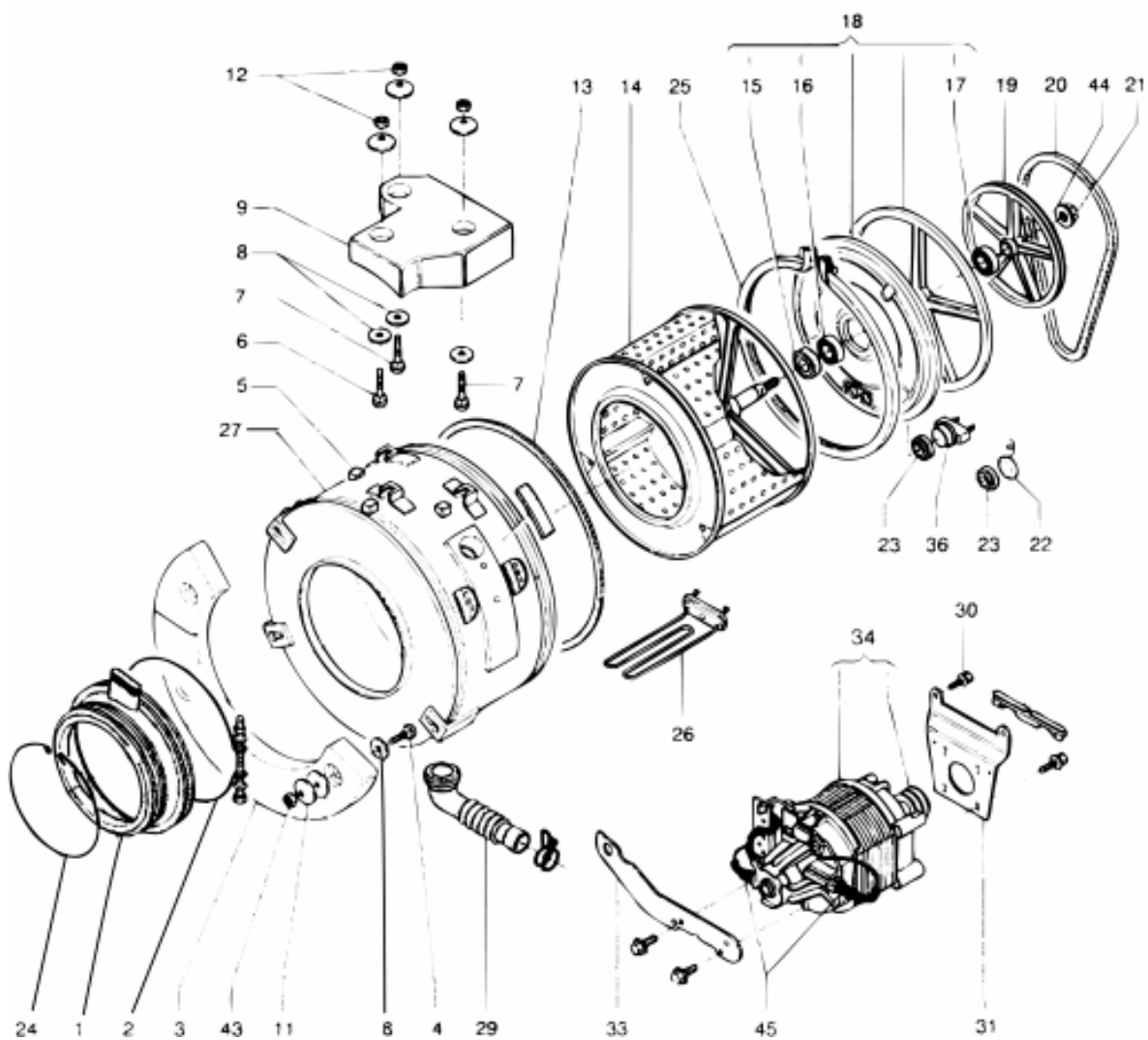
Spare parts list

Ref.	Code	С сер.№	По	Substitute	Description	Notice	Industrial
031	C00036021				пластинка крюка		
032	C00050562				амортизатор sx corto		
033	C00036019				регулируемая опора m10 h 36		
034	C00036016				крышка фильтра		
035	C00036014				пружина крышки фильтра		
036	C00036015				палец крепления крышки		
037	C00050563				flange paint lid		
038	C00032302				стекло люка + внутренняя		
039	C00035882				рукоятка смотр.окна (10830)		
040	C00041425				крюк смотр.окна		
041	C00027284				штырь крюка		
042	C00041673				пружина крюка		
044	C00050558				filter screw		
045	C00041579				задняя регулируемая опора		
048	C00045616				стопное кольцо осевое		
053	C00050564				экран стеклянный дверцы		
054	C00050565				plate		

1070570

Exploded views

Matr. 60520.0001



1070570

Spare parts list

Ref.	Code	С сер.№	По	Substitute	Description	Notice	Industrial
001	C00050566				прокладка смотрового окна		
002	C00036049			1 x C00090145	bellows clamp (over centre)		
003	C00050567				передний противовес		
004	C00050568				screw m8x30		
005	C00041585				rubber block		
006	C00041608				винт m8x45		
007	C00041609			1 x C00041605 1 x C00052788 1 x C00091062	screw m8x60		
008	C00041607				шайба нейлоновая		
009	C00050569				противовес верхний		
011	C00041605				шайба чашеобразная		
012	C00041610				гайка самоблокирующаяся		
012	C00046610				control panel + handle white 27		
013	C00036066				прокладка крышки ванны		
014	C00050570				барабан		
015	C00035999				прокладка подшипника ph		
016	C00041594			1 x C00013563	ball bearing 52x25x15		
017	C00036146			1 x C00002591	шариковый подшипник		
018	C00050571			1 x C00064216	star wheel		
019	C00050572				ведомый шкив		
020	C00041587				ремень j4 c5 l= 1270 mm	0107555	
020	C00058973				ремень j4 l=1262 mm		
021	C00050573				гайка самоконтрящаяся		
022	C00050574				пластмассовый зонд	0107549	
023	C00036072				прокладка термостата	0107549	
023	C00058003				прокладка закрыт.зонда	0107549	
024	C00036022				кольцо стопорное диафрагмы		
025	C00036065				кольцо главное крепежное бака		
026	C00050575				сопротивление 2000 w.		
027	C00050576				бак	0107520	
029	C00036074				труба гофрированная выпускная	0107520	
029	C00053399				сильфон слива	0107520	
030	C00041611				винт		
031	C00050577				опора двигателя	0107555	

1070570

Spare parts list

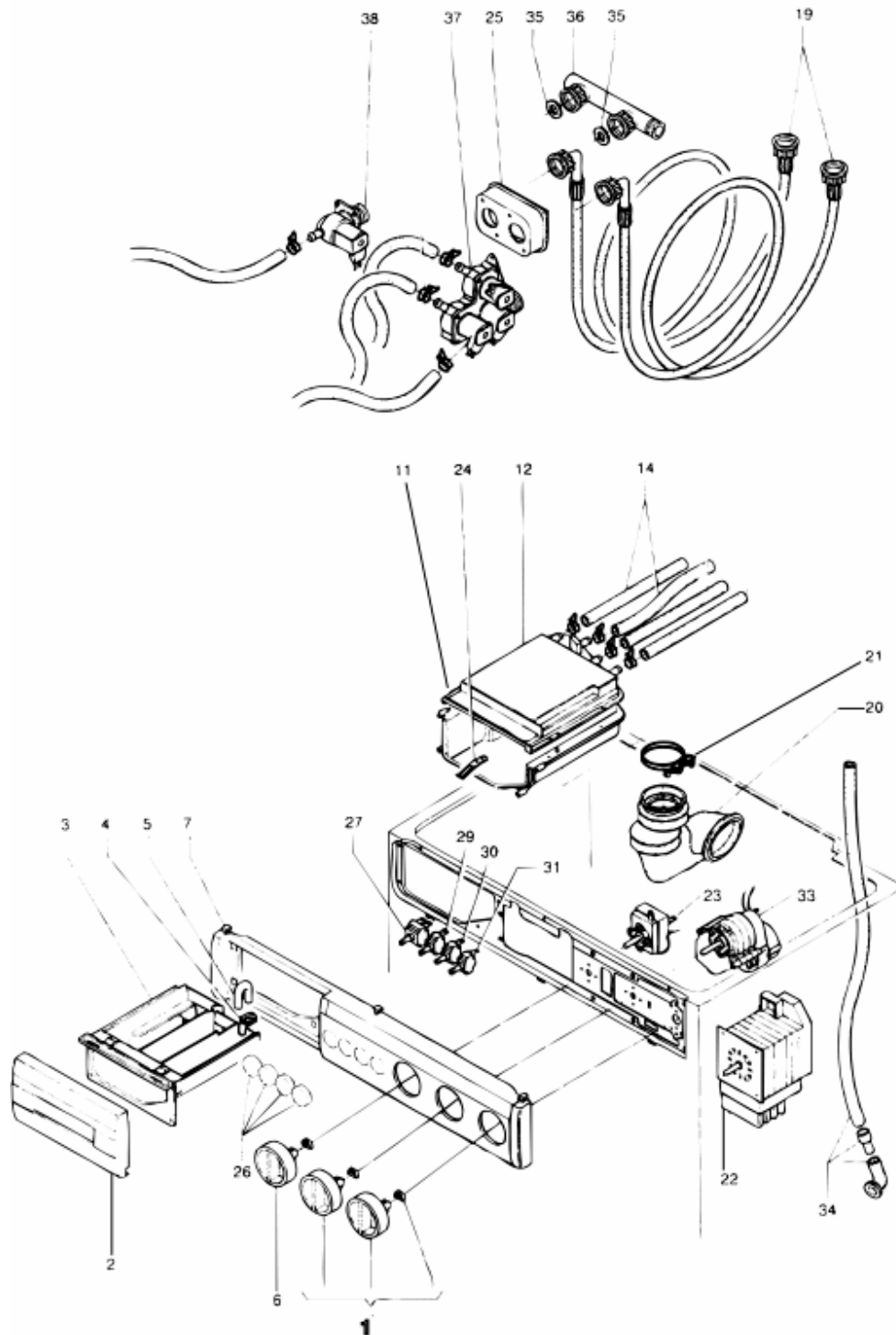
Ref.	Code	С сер.№	По	Substitute	Description	Notice	Industrial
033	C00050578				опорная скоба электродвигателя		
034	C00050579				электродвигатель indesco		
036	C00050580				термостат 90ш с		
044	C00050607				шайба		
045	C00050581			1 x C00047318	brush for motor indesco		
045	C00050582				щетка электродвигателя sole		
099	C00051547				зажим		
099	C00051549			1 x C00061958	binding		
099	C00052721				binding		



1070670

Exploded views

Matr. 60520.0001



1070670

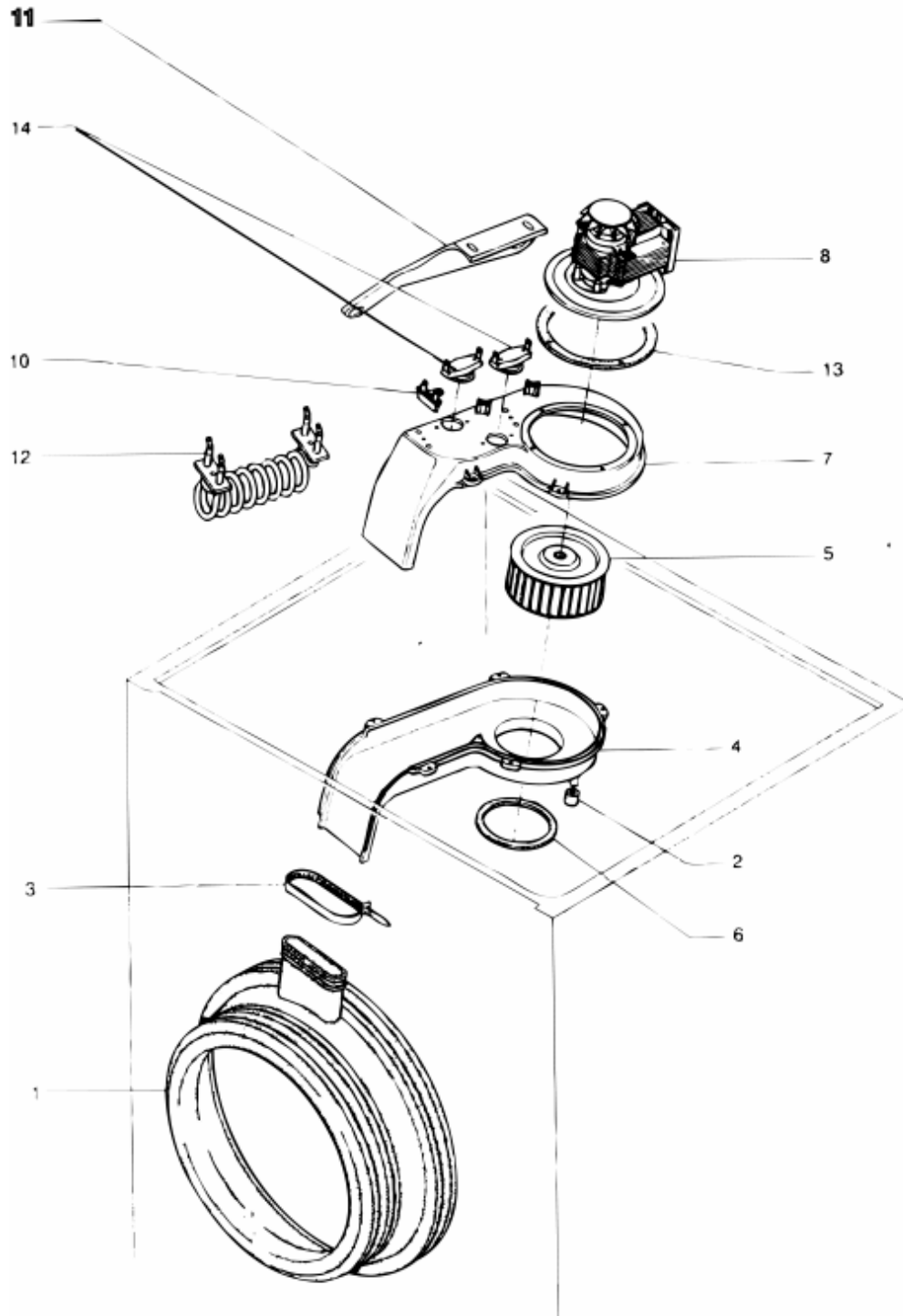
Spare parts list

Ref.	Code	С сер.№	По	Substitute	Description	Notice	Industrial
001	C00050583				ручка	0107524 0107529	
002	C00050584				ручка ящичка для моющего		
003	C00063876				контейнер для моющего		
004	C00050585				пластинка для сифона		
005	C00050586				сифон емкости		
006	C00050587				ручка	0107524 0107529	
007	C00050588				панель управления		
011	C00050589				дозатор		
012	C00050590				крышка воронки		
014	C00050591				трубка от э/клапана к дозатору		
019	C00041630				inlet hose		
020	C00050592				труба для соединения с нижней		
021	C00050606				hose clamp		
022	C00050593				таймер eaton ec 4324.01		
022	C00066375			1 x C00064711	wiring		
023	C00050594				переключатель температуры	0107529	
023	C00056280				bolt	0107529	
024	C00050595				spring		
025	C00050596				коробка электр. клапана		
026	C00042607				кнопка		
027	C00027268				зам-разм выключатель вкл-выкл		
029	C00041644				замык. однополюсный		
030	C00027269				выключатель однополюсный пс		
031	C00035961				выключатель-переключатель		
033	C00050597				маймер		
034	C00041628				труба дозатора ванны		
035	C00005572				прокладка заливочного шланга		
036	C00050598				штуцер электроклапана		
037	C00050599				электроклапан 1 е 3 и		
038	C00035983				электроклапан 220 в 60 гц 1 е 1		

1070770

Exploded views

Matr. 60520.0001



1070770

Spare parts list

Ref.	Code	С сер.№	По	Substitute	Description	Notice	Industrial
001	C00050566				прокладка смотрового окна		
002	C00041617				прокладка трубки clochea		
003	C00033210				зажим fastex 350 mm x 7.8 mm		
004	C00050600				нижняя часть корпуса		
005	C00036080				вентилятор		
006	C00041619				прокладка конденсатора		
007	C00050601				верхняя часть корпуса		
008	C00050602			1 x C00078369	motor blower		
010	C00050604				предохранитель 141ш с		
011	C00041623				опора		
012	C00050605				сопротивление 1350 ватт		
013	C00041625				прокладка двигателя		
014	C00050603				термостат		

## Notices

### 0107520: POSITION OF AIR TRAP CHANGED

---

Beginning with serial no. "9719" (date of 05.05.97) for the front-loading washer-dryers produced at the Brembate factory, the air trap has been moved from the filter to the drain hose.

This modification has resulted in changes to the following parts:

Tank, drain hose, pressure switch and filter.

The new tanks are not individually interchangeable with the pre-modification ones because the hole for the drain hose connection is different. Therefore, in order to be able to use them with pre-modification equipment, they are fitted with the new drain hose, plug for the pipe tap hole and two clamps.

The new filter can replace the old one by using a screwdriver to pierce the diaphragm that blocks the pipe tap hole.

In order to simplify the handling of the modified parts, we used the pre-modification code numbers for some of them, while the remaining parts have been codified.

Te washers that fit the new tub, even if they maintain same model on the serial number plate stuck inside the door filter are marked with the letter "B" after their model (AS1047CTXEX = AS1047CTXEXB).

Below is a list of the relative code numbers for parts affected by the modification.

Code 050576 - Tank kit (thin);

Code 051547 - Clamp for tank-filter hose (tank side);

Code 052721 - Clamp for tank-filter hose (filter side);

Code 051549 - Clamp for tank-filter hose (air trap hole);

Code 051549 - Clamp for tank-filter hose (air trap hole);

Code 051541 - Clamp for hose to pressure switch;

Code 053399 - Drain hose;

Code 051552 - Hose to pressure switch;

Code 041572 - Complete filter;

Code 053398 - Pressure switch for 2+1 levels.

### 0107524: UNIFICATION OF TIMER/TEMPERATURE KNOB

---

Beginning with serial no. PF..9719.... on the AS1047CTXEX washing machines, the temperature selector knob (part no. 050587) has been combined with the timer and delay knob (part no. 050583).

To utilize the combined knob, simply mount the temperature selector knob, turned 180° with respect to the previous position in order to align it with the mark.

The knob (part no. 050587) will be used until the remaining stock has run out. Thereafter, the combined knob will be sent in its place.

## 0107529: MODIFIED SPEED AND TEMPERATURE SELECTOR

---

Beginning with serial number PF..9749, new "DREEFS" type speed and temperature selector knobs will be used on the washing machines and washer-dryers produced at the Brembate plant.

The new selector knobs are electrically interchangeable with the previous ones and retain the same SAT part number. However, new screws must be used to fasten them in place (part no. 056280).

As a result of this modification to the AS1043CTX model, the temperature selector knob (part no. 050587) will be used once again.

It was eliminated and combined with the other two knobs (programmer and timer), with part no. 050583 (see notice no. 524).

## 0107549: PROBE SEAL

---

Beginning from serial number 807010.0001 (PH..9831..) the probe seal with code 058003 has been used to improve the temperature probe sensitivity.

The shape of the new seal guarantees the total waterproofing of the probe, thus eliminating possible malfunctions of the module, caused by the humidification of the NTC resistance contained in the probe.

In case of intervention in pre-modification appliances to replace the probe, the old seal must be replaced with the new one.

## 0107550: TOP FIXING MODIFICATION

---

Beginning from March 98 the top fixing has been changed.

The plates used to fix the top rim with code 056350 and 042538 and relevant screws have been eliminated since the plates are directly machined on the top rim.

The new tops are interchangeable with the pre-modification ones, which will be handled until stocks last and retain the same SAT codes.

## 0107555:

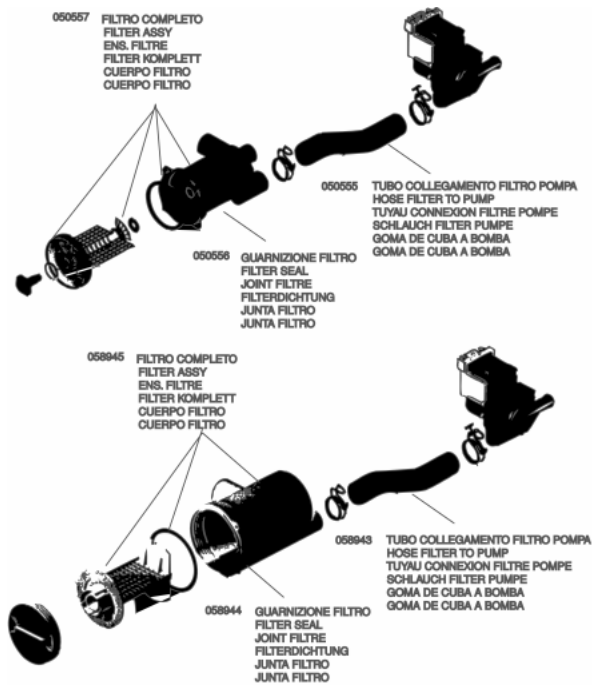
---

From serial no. 81006.001 (PF..9841) drain filters have been modified in washer dryers and washing machines produced in Brembate plant.

The following figure shows pre-modification and new details.

For quality improvement purposes, from serial no. 81001.0001 (9849.0001) the new J4 1262 mm transmission belt with part no. 058973 is used in models with Sole, Indesco and Siemens type motors.

Due to this modification, the lower slots of the motor support brackets are 5 mm deeper, while the SAT codes 050577, 041598 and 041599 remain unchanged.







## Legend

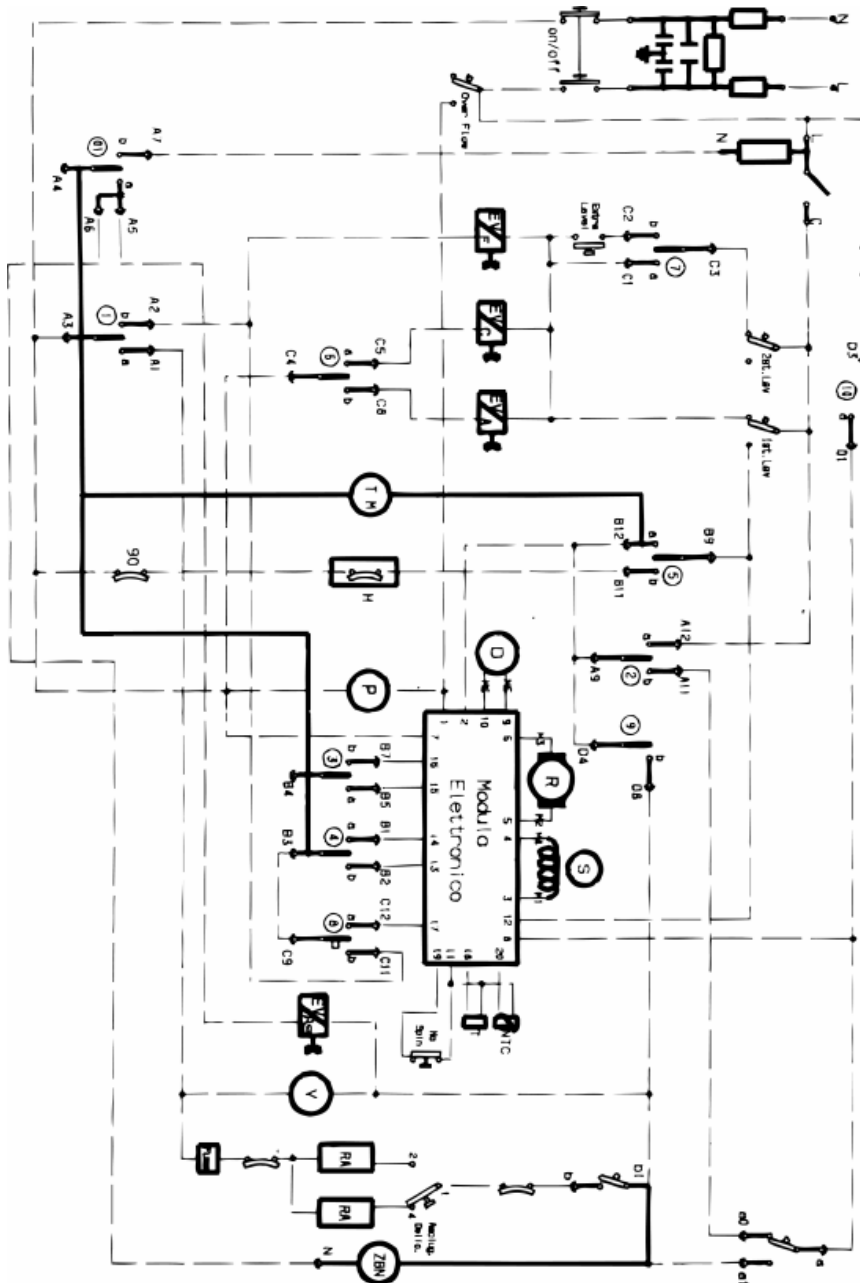
Legend: 107378a

B	Buzzer	N	Neutral or Terminal Board
BF	Terminal board contact, motor fan and dryer	NC	Spin cycle exclusion
BP	Buzzer	P	Pressure switch
C	Condensator	P1	1st level pressure cut-off switch
CA	Condensator	P2	2nd level pressure cut-off switch
DV	Switching device	PA	High speed potentiometer
EF/CL	Electro-Valve Cold Water / Bleach	PB	Low speed potentiometer
EF/L	Electro-Valve Cold Water / Wash	PL	Pure Wool
EF/P	Electro-Valve Cold Water / Prewash	PM	Motor Thermoprotector
ER	Exclude Heating Element	PR	Timer programmer
ET	Thermostat disactivation	PS	Drain pump
EV	Electrovalve	R	Heating element
EVA	Dryer electrovalve	RE	Relay
EVC	Hot water electrovalve	RR	Heating element
EVF	Elettrovalvola acqua fredda	RV	Speed regulator
EVL	Wash electrovalve	Ras/RA	Dryer heating element
EVP	Pre Wash electrovalve	S	LED
FA	Antijamming filter	SL	Line LED
FD	Delicate drying cycle thermostat	SO	Door LED
FE	Strong drying cycle thermostat	SR	Heating LED
FRT	Thermofusible Heating Element	ST	Temperature selector
I	Inverter	SV	Speed Selector for Spin
II...2...3..	Switches/switching devices	T	Timer contacts
IA	Switch On/Off	TA	Drying timer contacts
IC	Switch N.C. - 1/2 Load	TB	Low Temperature Thermostat
ID	Switch display	TC	Spider wheel earth
IE	Water Saving Device	TFL	Flange earth
IF	Switch - Spin Reduction	TG	Main earth
IP	Door switch	TH	Thermostat
IR	Line switch	TH1	1st temperature thermostat
IS	Water-stop	TH2	2nd temperature thermostat
L	Line or Lamp	TH3	3rd temperature thermostat
LB	Low Level	THF	Operating thermostat

LN	Normal Level	THR	Adjustable thermostat
LS	Pilot lamp	TM	Motor earth
M	Earth-symbol	TMB	Main cabinet earth
MC	Spin cycle motor	TMP	Motor thermal protector
MI	MOTOR WITH PULLEY	TMS	Thermostop
ML	Wash cycle motor	TP	Thermal protector
MO	Terminal Board	TPS	Drain pump earth
MP	Door dip-switch	TR	Heating element earth
MR	Thermal Lock	TS	Safety thermostat
MT	Timer motor	TT	Timer earthing connection
MV	Motor fan	TTH	Earthing Thermostat
MV -Ras	Dryer heating element	TV	Tank earth
Mzbn/MTA	zbn timer motor	ZBN	Timer

Electric schemes and links

Cod. 107378c



## Legend

Legend: 107378c