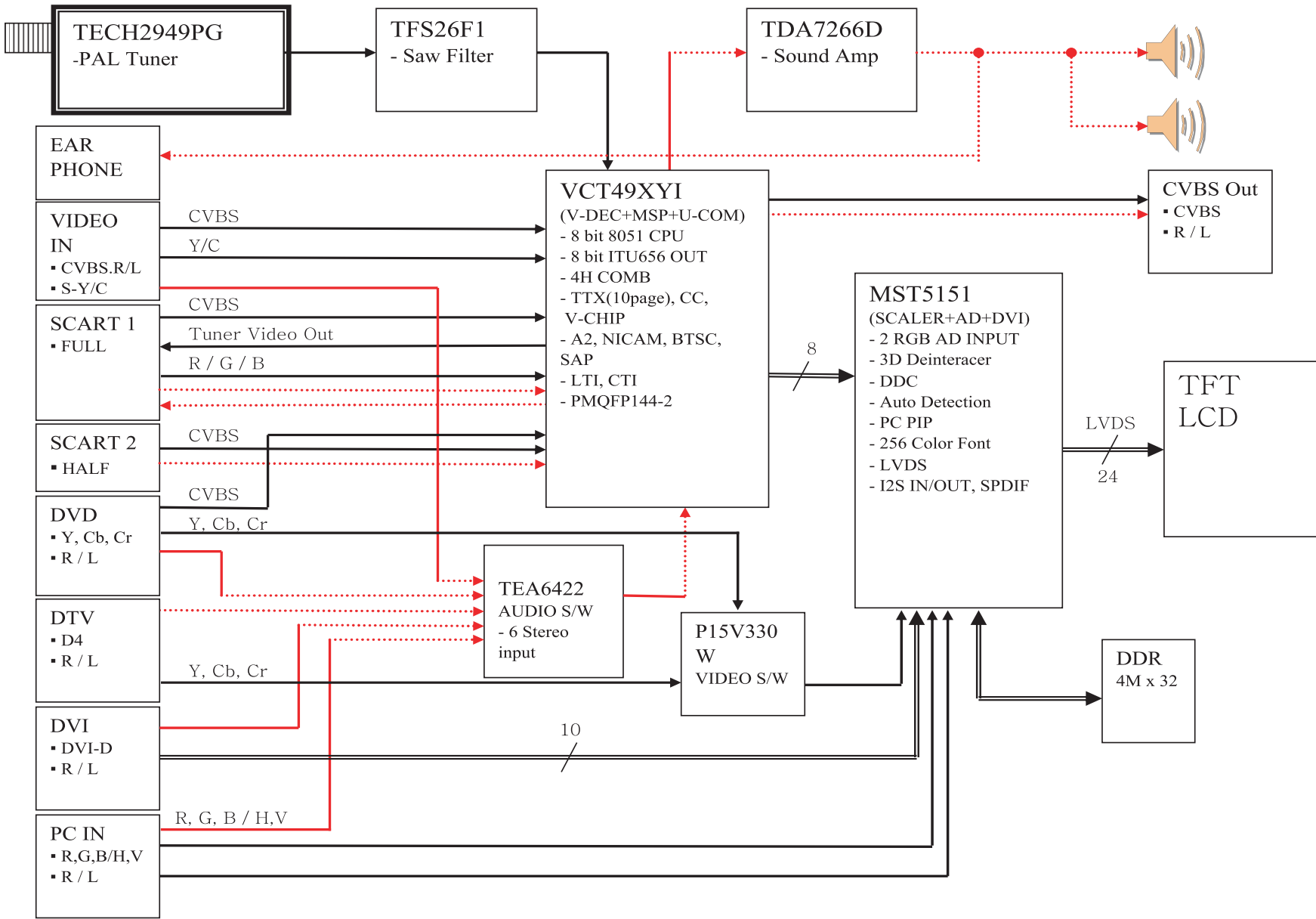
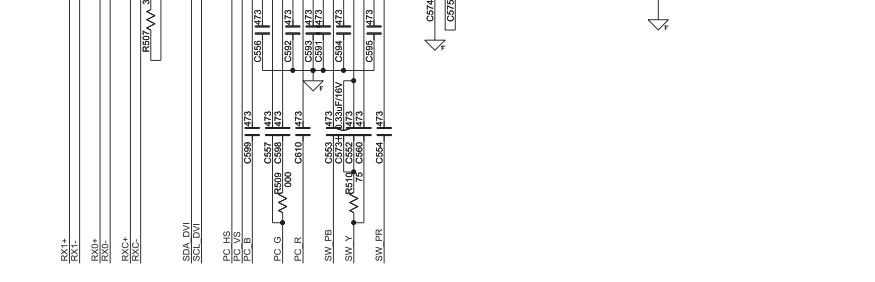
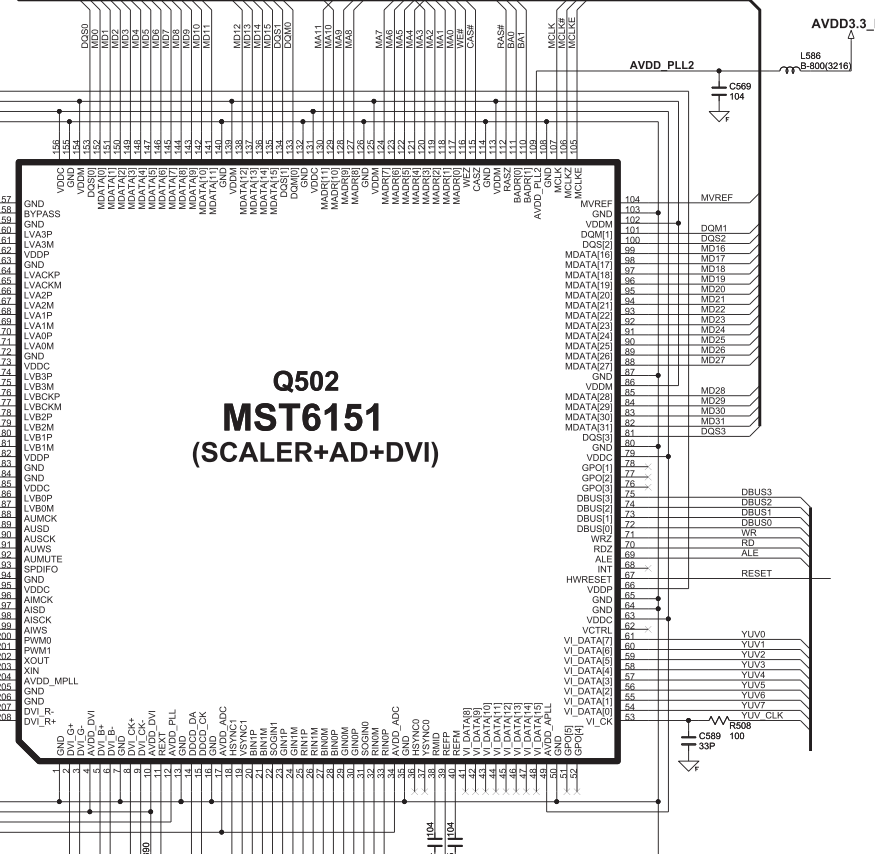
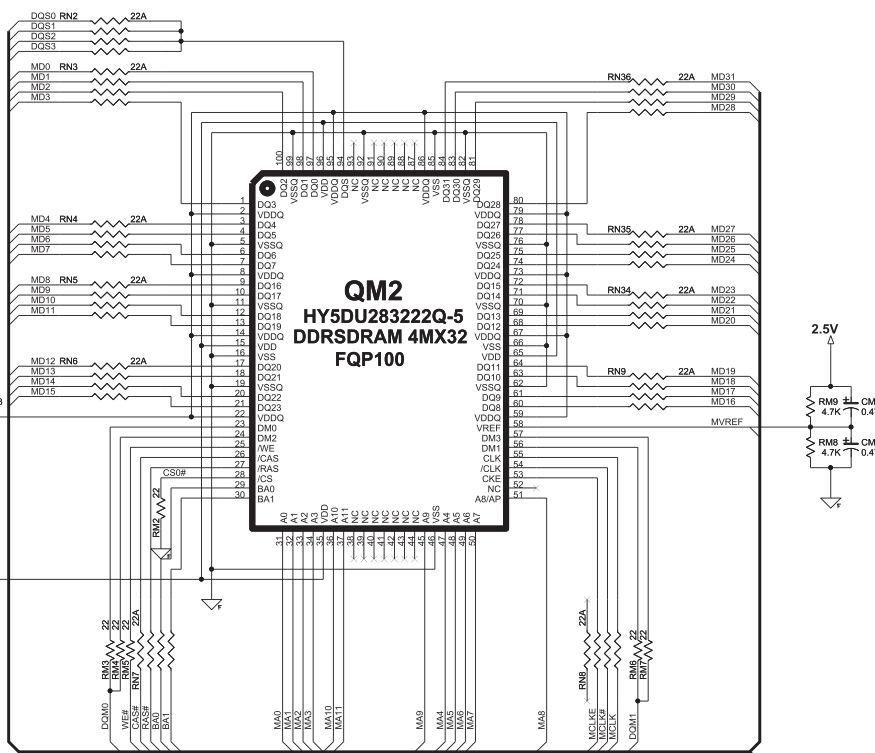
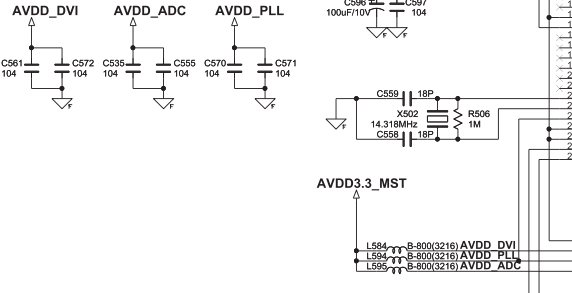
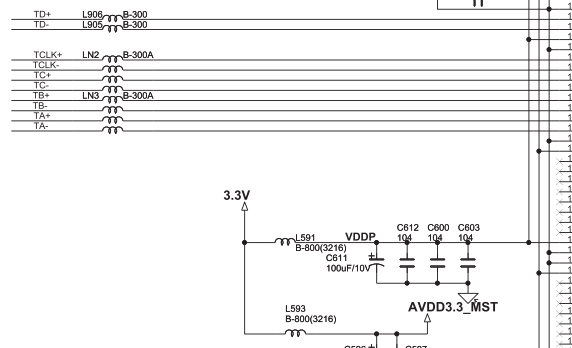
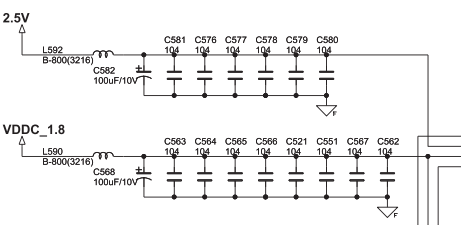
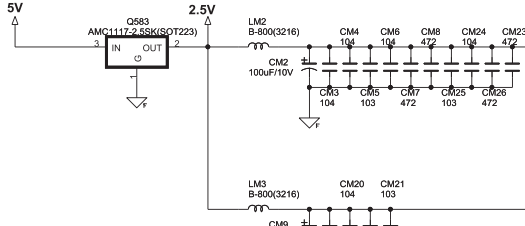
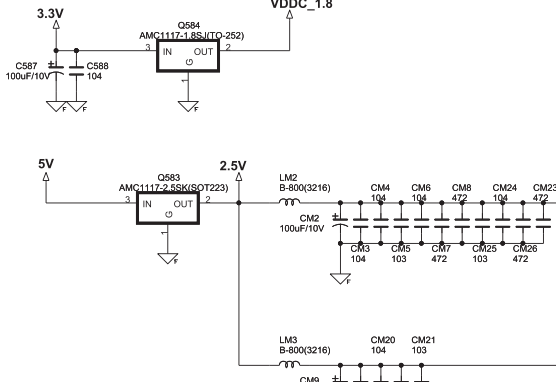
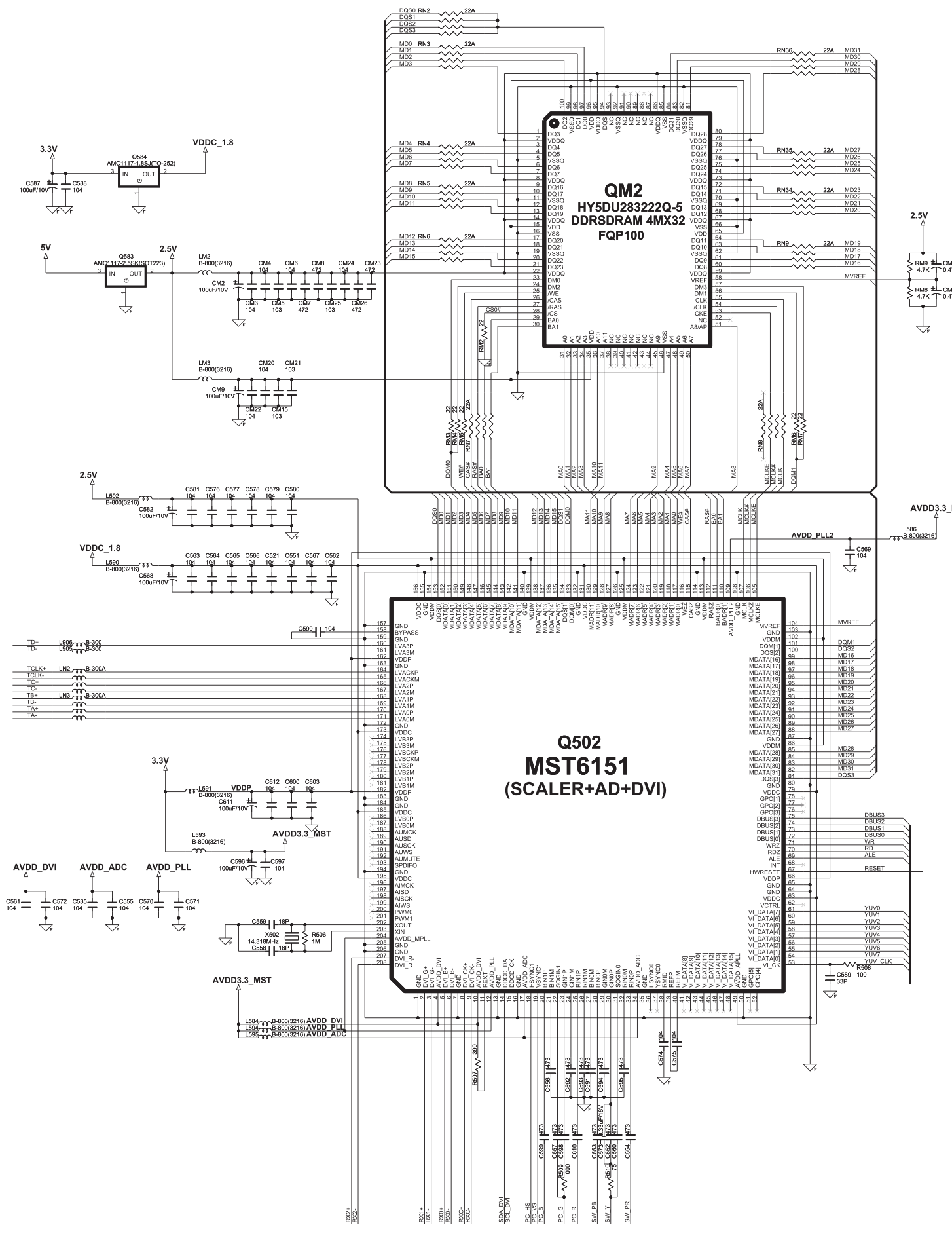
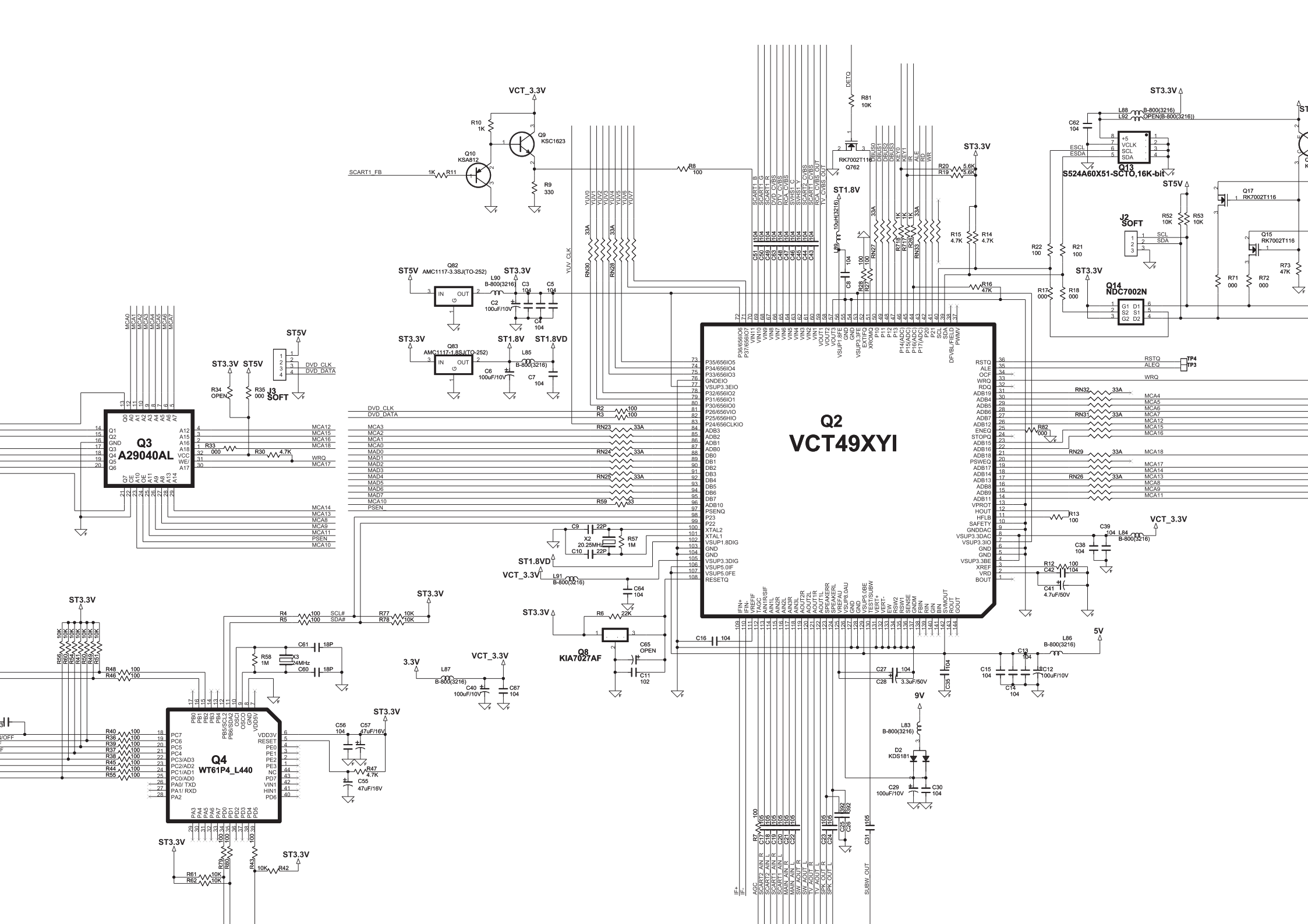


6-1. Block Diagrams



MAIN-Scaler,DDR





Q3
A29040AL

Pin 1: Q1
Pin 2: Q2
Pin 3: GND
Pin 4: Q3
Pin 5: Q4
Pin 6: Q5
Pin 7: Q6
Pin 8: Q7
Pin 9: Q8
Pin 10: Q9
Pin 11: Q10
Pin 12: Q11
Pin 13: Q12
Pin 14: Q13
Pin 15: Q14
Pin 16: Q15
Pin 17: Q16
Pin 18: Q17
Pin 19: Q18
Pin 20: Q19
Pin 21: Q20
Pin 22: Q21
Pin 23: Q22
Pin 24: Q23
Pin 25: Q24
Pin 26: Q25
Pin 27: Q26
Pin 28: Q27
Pin 29: Q28
Pin 30: Q29
Pin 31: Q30
Pin 32: Q31
Pin 33: Q32
Pin 34: Q33
Pin 35: Q34
Pin 36: Q35
Pin 37: Q36
Pin 38: Q37
Pin 39: Q38
Pin 40: Q39

Q2
VCT49XYI

Pin 1: IF+
Pin 2: IF-
Pin 3: AGC
Pin 4: SCART2 ANI_R
Pin 5: SCART2 ANI_L
Pin 6: SCART2 ANI_R
Pin 7: SCART2 ANI_L
Pin 8: SCART2 ANI_R
Pin 9: SCART2 ANI_L
Pin 10: SCART2 ANI_R
Pin 11: SCART2 ANI_L
Pin 12: SCART2 ANI_R
Pin 13: SCART2 ANI_L
Pin 14: SCART2 ANI_R
Pin 15: SCART2 ANI_L
Pin 16: SCART2 ANI_R
Pin 17: SCART2 ANI_L
Pin 18: SCART2 ANI_R
Pin 19: SCART2 ANI_L
Pin 20: SCART2 ANI_R
Pin 21: SCART2 ANI_L
Pin 22: SCART2 ANI_R
Pin 23: SCART2 ANI_L
Pin 24: SCART2 ANI_R
Pin 25: SCART2 ANI_L
Pin 26: SCART2 ANI_R
Pin 27: SCART2 ANI_L
Pin 28: SCART2 ANI_R
Pin 29: SCART2 ANI_L
Pin 30: SCART2 ANI_R
Pin 31: SCART2 ANI_L
Pin 32: SCART2 ANI_R
Pin 33: SCART2 ANI_L
Pin 34: SCART2 ANI_R
Pin 35: SCART2 ANI_L
Pin 36: SCART2 ANI_R
Pin 37: SCART2 ANI_L
Pin 38: SCART2 ANI_R
Pin 39: SCART2 ANI_L
Pin 40: SCART2 ANI_R

Q4
WT61P4_L440

Pin 1: PA3
Pin 2: PA4
Pin 3: PA5
Pin 4: PA6
Pin 5: PA7
Pin 6: PA8
Pin 7: PA9
Pin 8: PA10
Pin 9: PA11
Pin 10: PA12
Pin 11: PA13
Pin 12: PA14
Pin 13: PA15
Pin 14: PA16
Pin 15: PA17
Pin 16: PA18
Pin 17: PA19
Pin 18: PA20
Pin 19: PA21
Pin 20: PA22
Pin 21: PA23
Pin 22: PA24
Pin 23: PA25
Pin 24: PA26
Pin 25: PA27
Pin 26: PA28
Pin 27: PA29
Pin 28: PA30
Pin 29: PA31
Pin 30: PA32
Pin 31: PA33
Pin 32: PA34
Pin 33: PA35
Pin 34: PA36
Pin 35: PA37
Pin 36: PA38
Pin 37: PA39
Pin 38: PA40
Pin 39: PA41
Pin 40: PA42

Q13
S52A60X51-SC10, 16k-bit

Pin 1: VCLK
Pin 2: SCL
Pin 3: SDA
Pin 4: SDA

Q14
NDC7002N

Pin 1: G1
Pin 2: D1
Pin 3: G2
Pin 4: D2

Q8
KIA7027AF

Pin 1: IN
Pin 2: OUT

Q82
AMC1117-1.8S (TO-252)

Pin 1: IN
Pin 2: OUT

Q83
AMC1117-1.8S (TO-252)

Pin 1: IN
Pin 2: OUT

