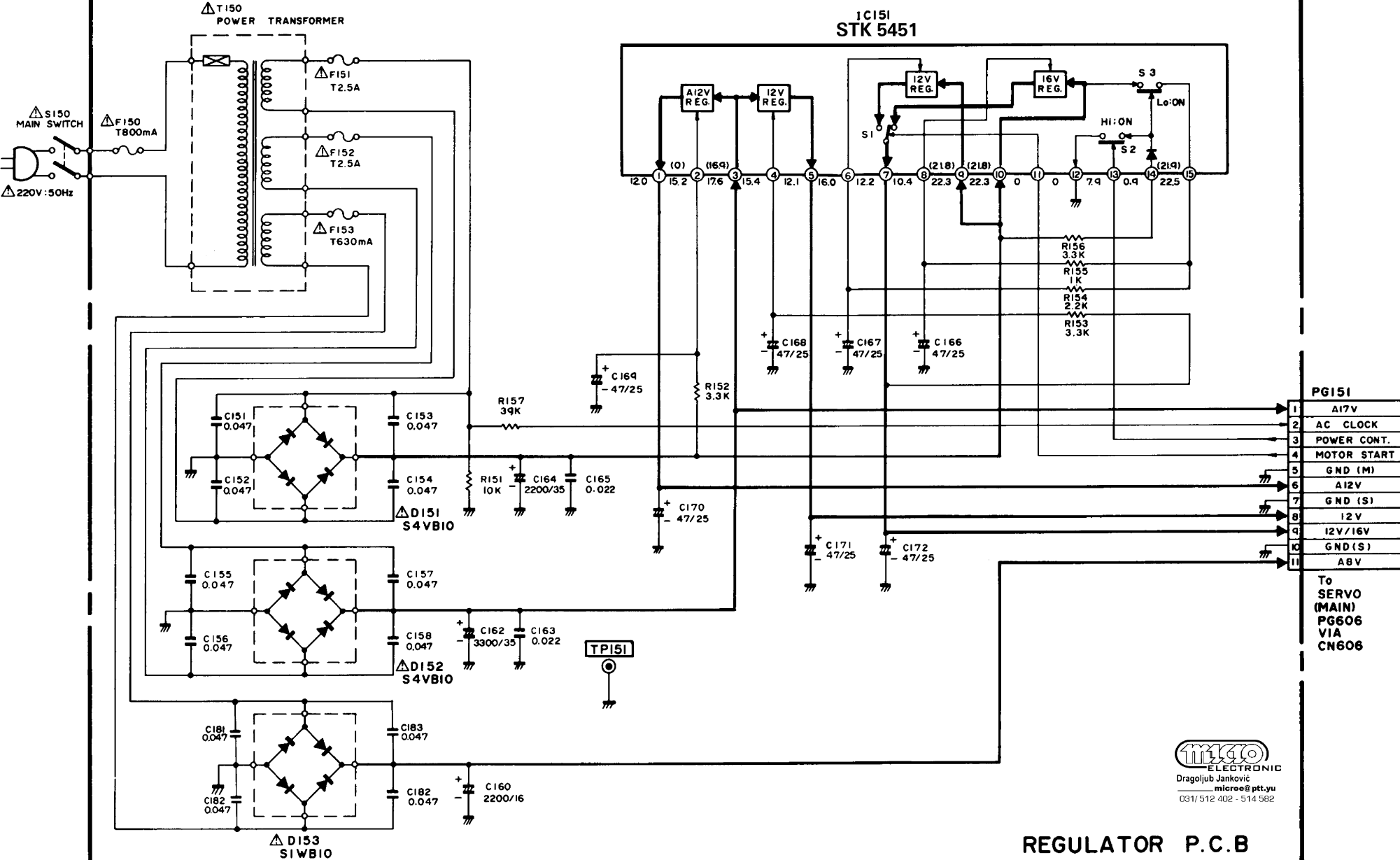


IC151  
STK 5451



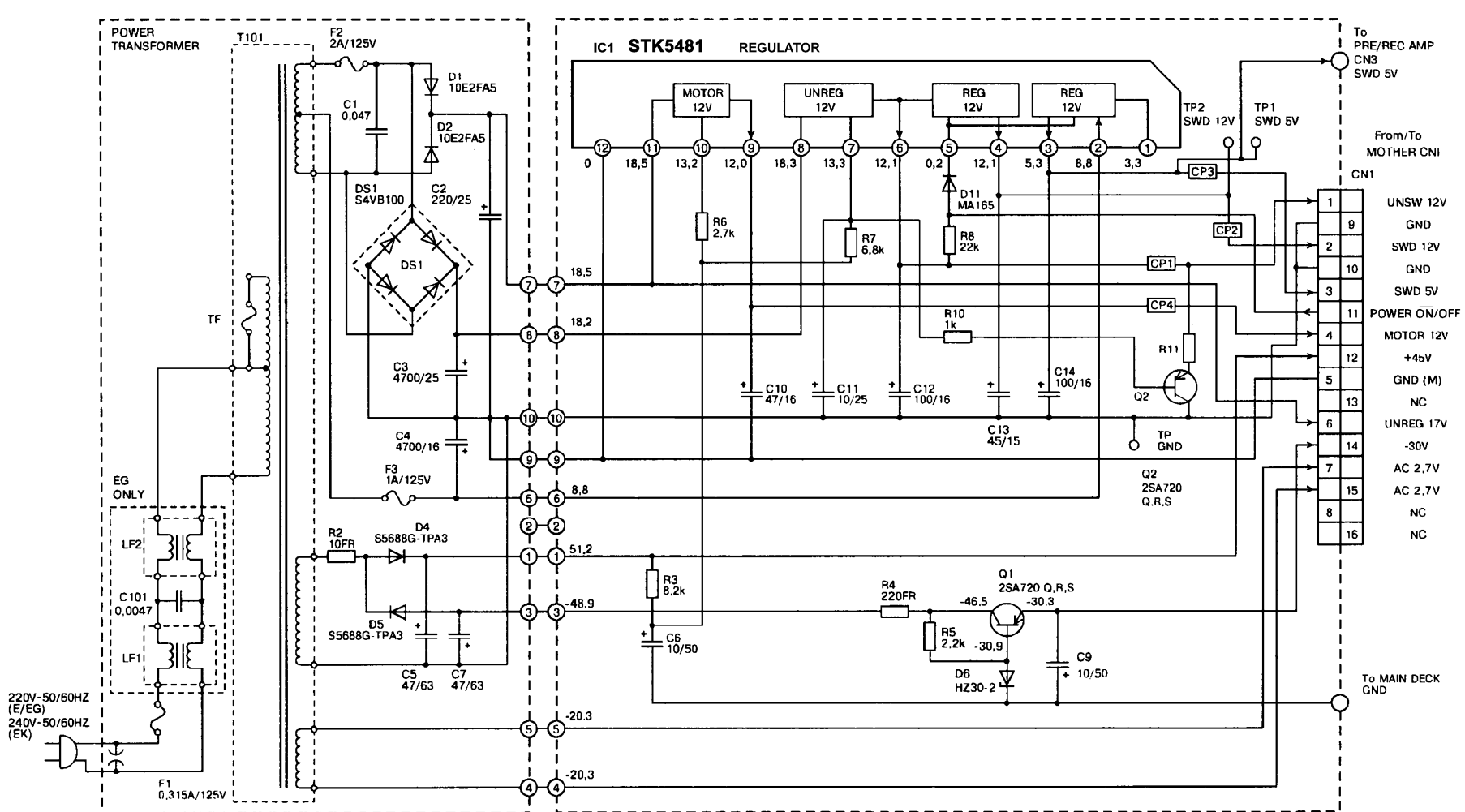
PG151

1	A17V
2	AC CLOCK
3	POWER CONT.
4	MOTOR START
5	GND (M)
6	A12V
7	GND (S)
8	12V
9	12V/16V
10	GND (S)
11	ABV

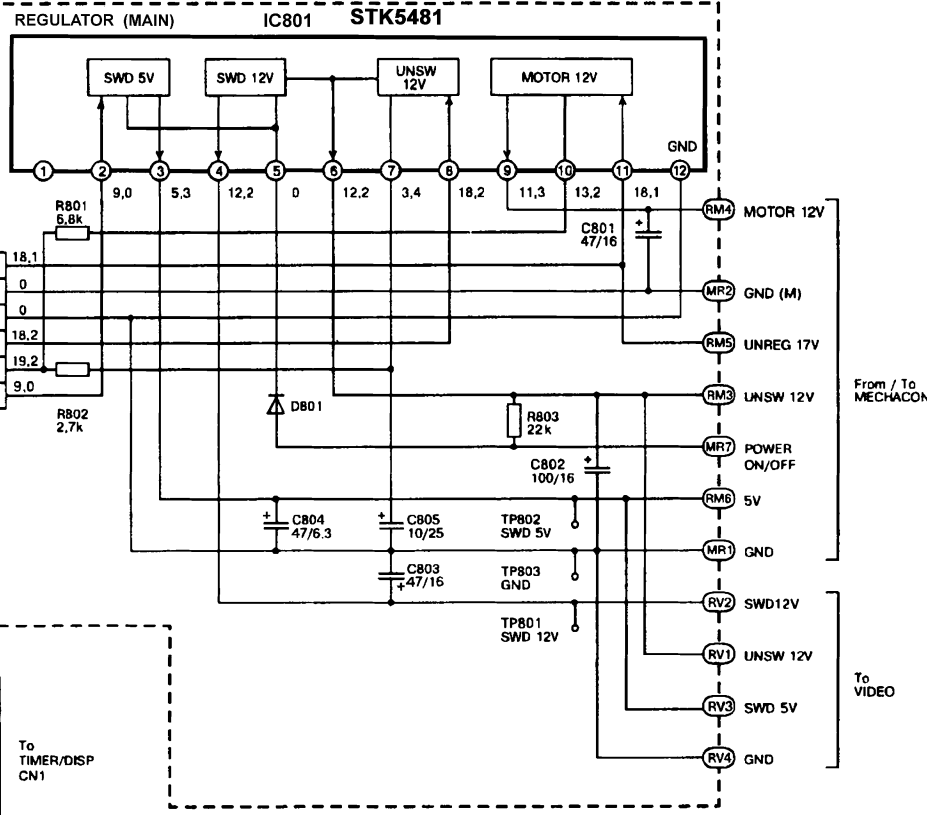
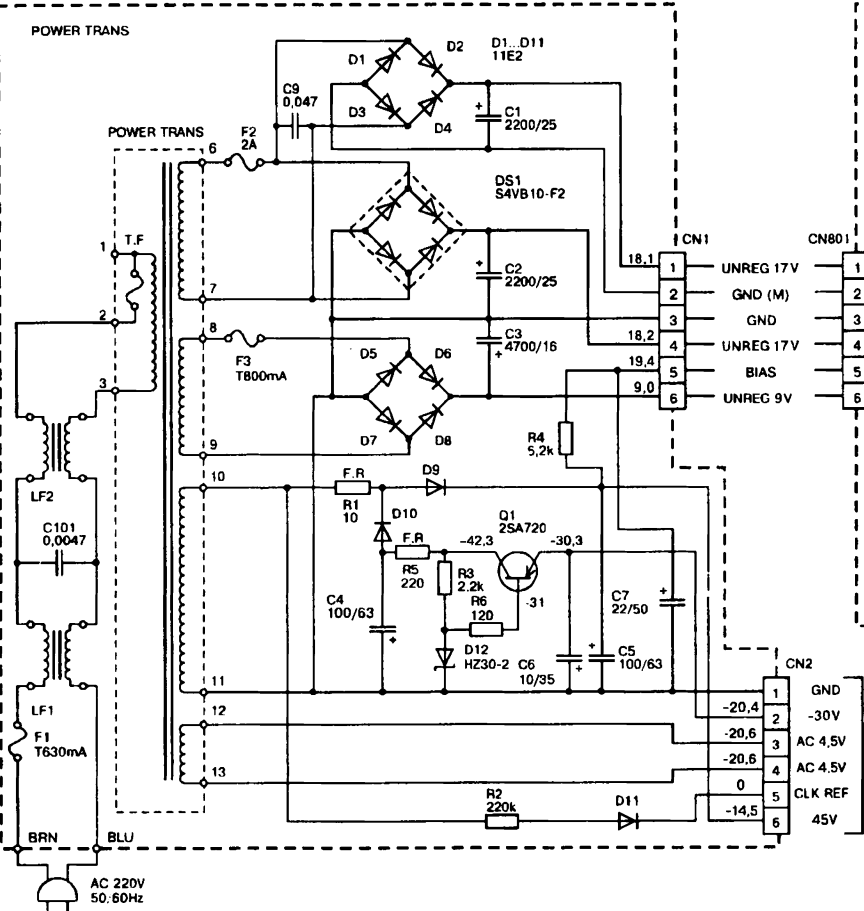
To SERVO (MAIN)  
PG606  
VIA  
CN606



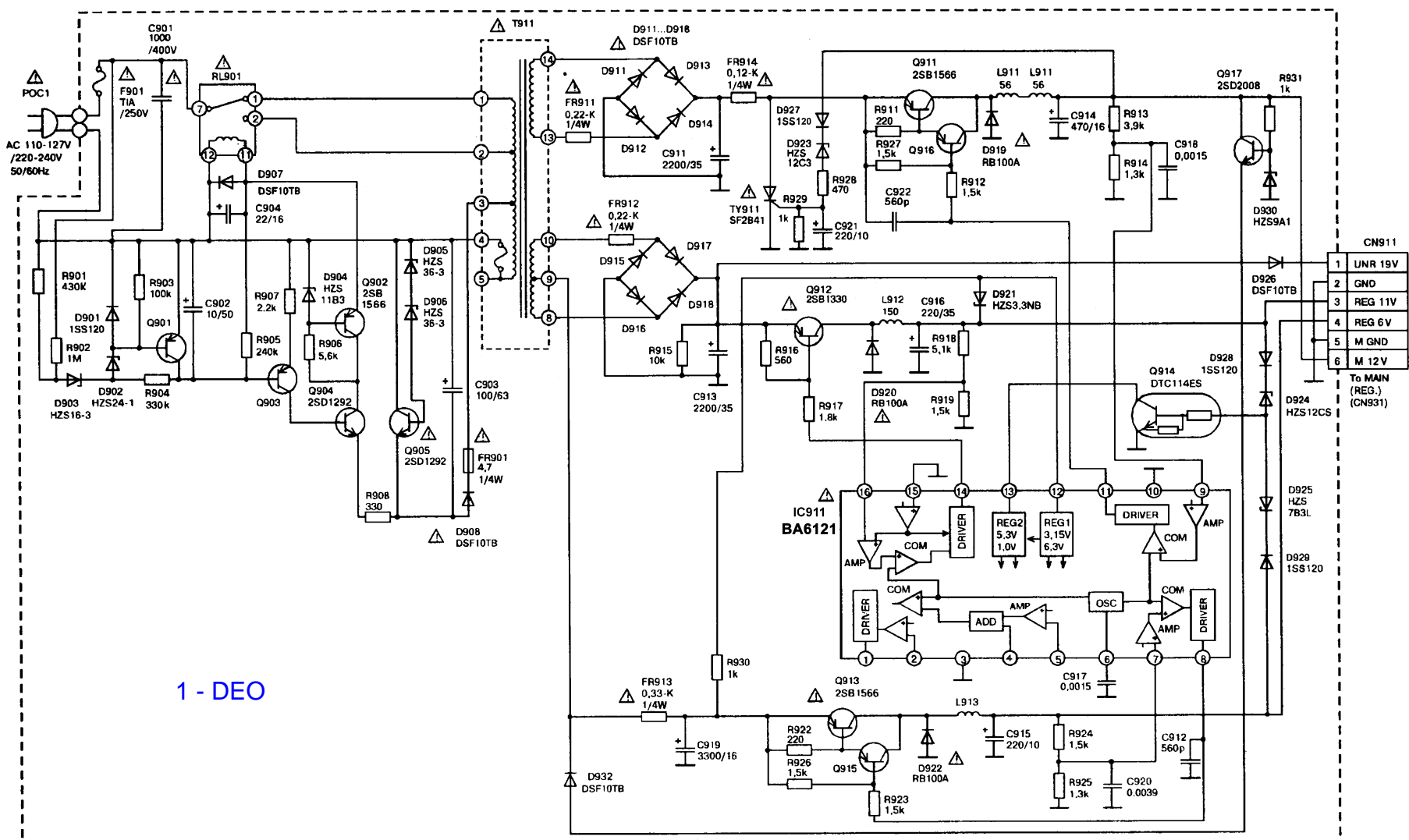
REGULATOR P.C.B











1 - DEO

