

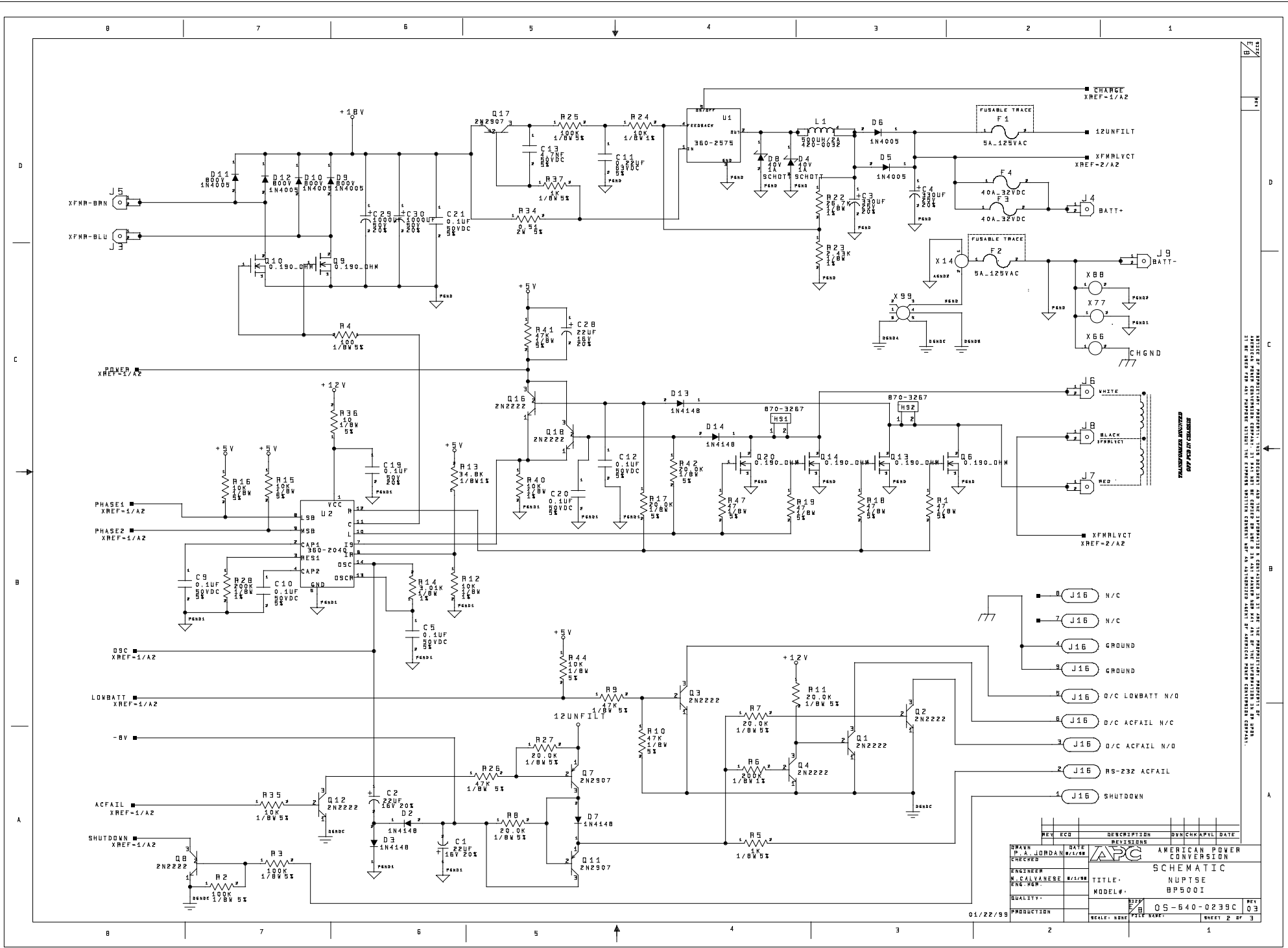
LAST REF DES USED							
BZ1	C59	D33	H52	F4	B2		
J18	LED5	X22	D32	L3	Y1		
R107	R75	SW1	U9				

REF DES NOT USED			
J22	C27	LED3	
J25	R105	LED5	

DRWN	DATE	REV	DESCRIPTION	CHKD	DATE
P. A. JORDAN	8/1/88	1	AMERICAN POWER CONVERSION		
M. CALYANESE	8/1/88	2	SCHEMATIC		
			NUPTSE		
			MODEL#		
			BP5001		
QUALITY					
PRODUCTION					

REV	DATE	DESCRIPTION
1	05-540-0239C	REV 03
2		REV 04
3		REV 05

THIS DOCUMENT IS UNCLASSIFIED AND IS AVAILABLE TO THE PUBLIC. IT IS THE PROPERTY OF AMERICAN POWER CONVERSION. IT IS TO BE USED ONLY FOR THE PURPOSES AUTHORIZED IN THE ORIGINAL CONTRACT. IT IS TO BE DESTROYED OR RECLASSIFIED AS UNCLASSIFIED AT THE DISCRETION OF AMERICAN POWER CONVERSION COMPANY.

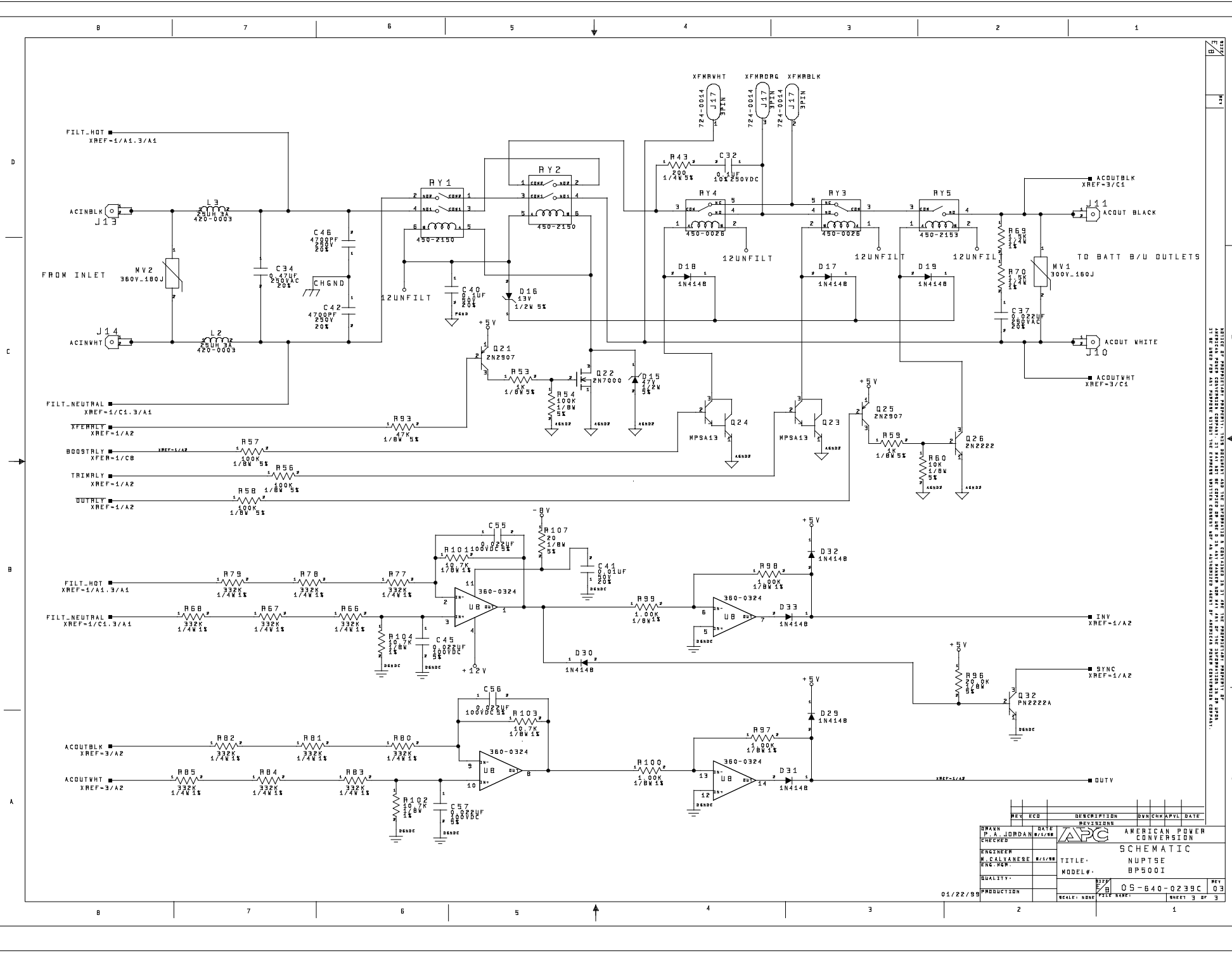


THIS DOCUMENT IS UNCLASSIFIED
 DATE 05-12-2010 BY 60322 UCBAW/DK/STP

REV	ECO	DESCRIPTION	BY	CHK	APVL	DATE
1		AMERICAN POWER CONVERSION				
2		SCHEMATIC				
3		NUPTSE				
4		BP5001				

DESIGNED BY	P. A. JORDAN	DATE	8/1/88
CHECKED BY		DATE	
ENGINEER	N. CALYANESE	DATE	8/1/88
ENC. NO.		TITLE	NUPTSE
QUALITY		MODEL NO.	BP5001
PRODUCTION		SCALE	AS SHOWN
		FILE NAME	

01/22/99



THIS SCHEMATIC IS THE PROPERTY OF AMERICAN POWER CONVERSION COMPANY. IT IS TO BE USED ONLY FOR THE PROJECT AND DATE SPECIFIED HEREON. IT IS NOT TO BE REPRODUCED OR TRANSMITTED IN ANY FORM OR BY ANY MEANS, ELECTRONIC OR MECHANICAL, INCLUDING PHOTOCOPYING, RECORDING, OR BY ANY INFORMATION STORAGE AND RETRIEVAL SYSTEM, WITHOUT THE WRITTEN PERMISSION OF AMERICAN POWER CONVERSION COMPANY.

REV	ECN	DESCRIPTION	DRN	CHK	APVL	DATE
REVISIONS						
01		AMERICAN POWER CONVERSION				
SCHEMATIC						
TITLE: NUPTSE						
MODEL#: BP500I						
QUALITY: 3/5						
PRODUCTION: 05-640-0239C						
SCALE: NONE P/C: NONE						

01/22/88