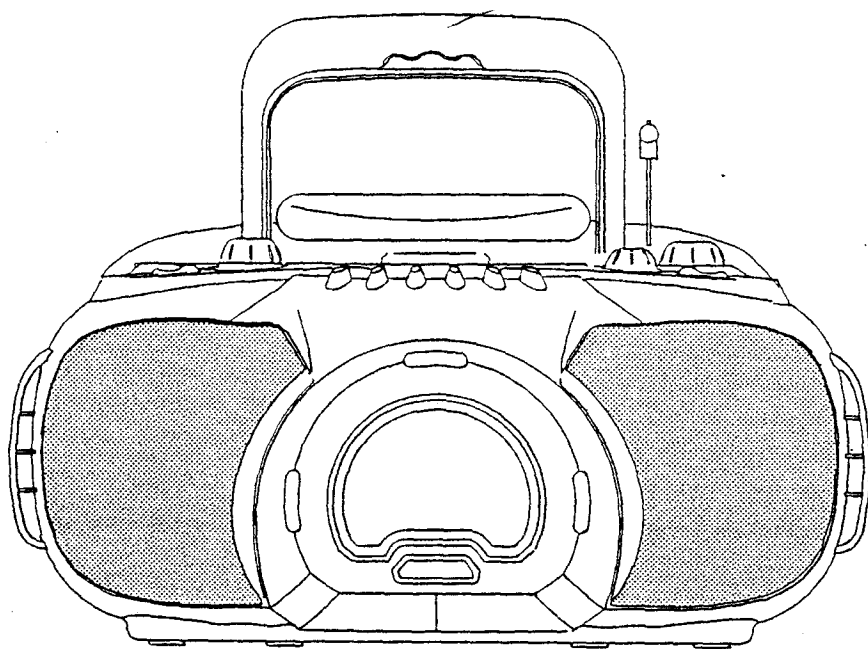


Service Manual

PORTABLE RADIO CASSETTE
RECORDER WITH CD PLAYER

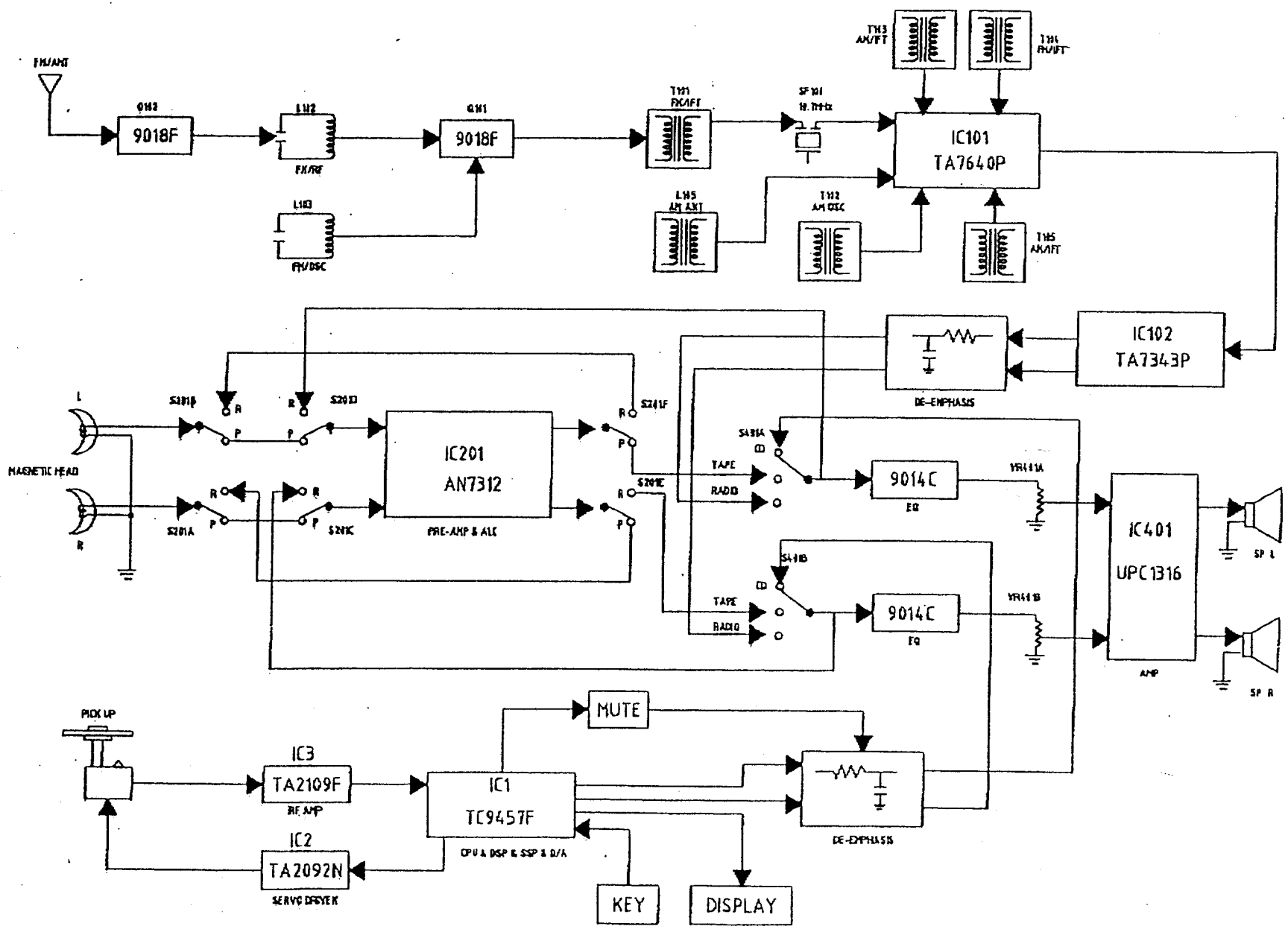
ACD-510M



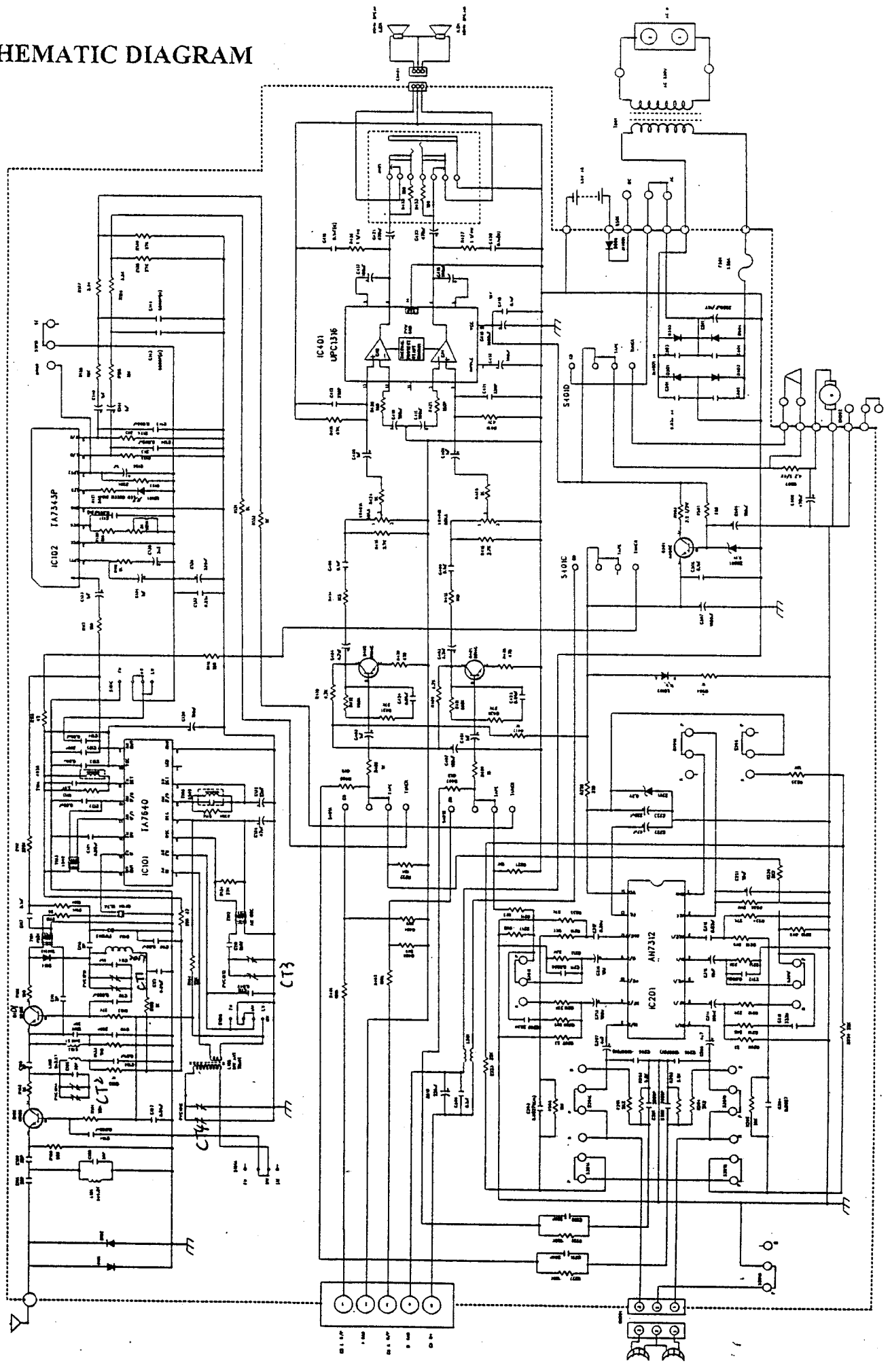
DAEWOO ELECTRONICS CO., LTD.

DAEWOO

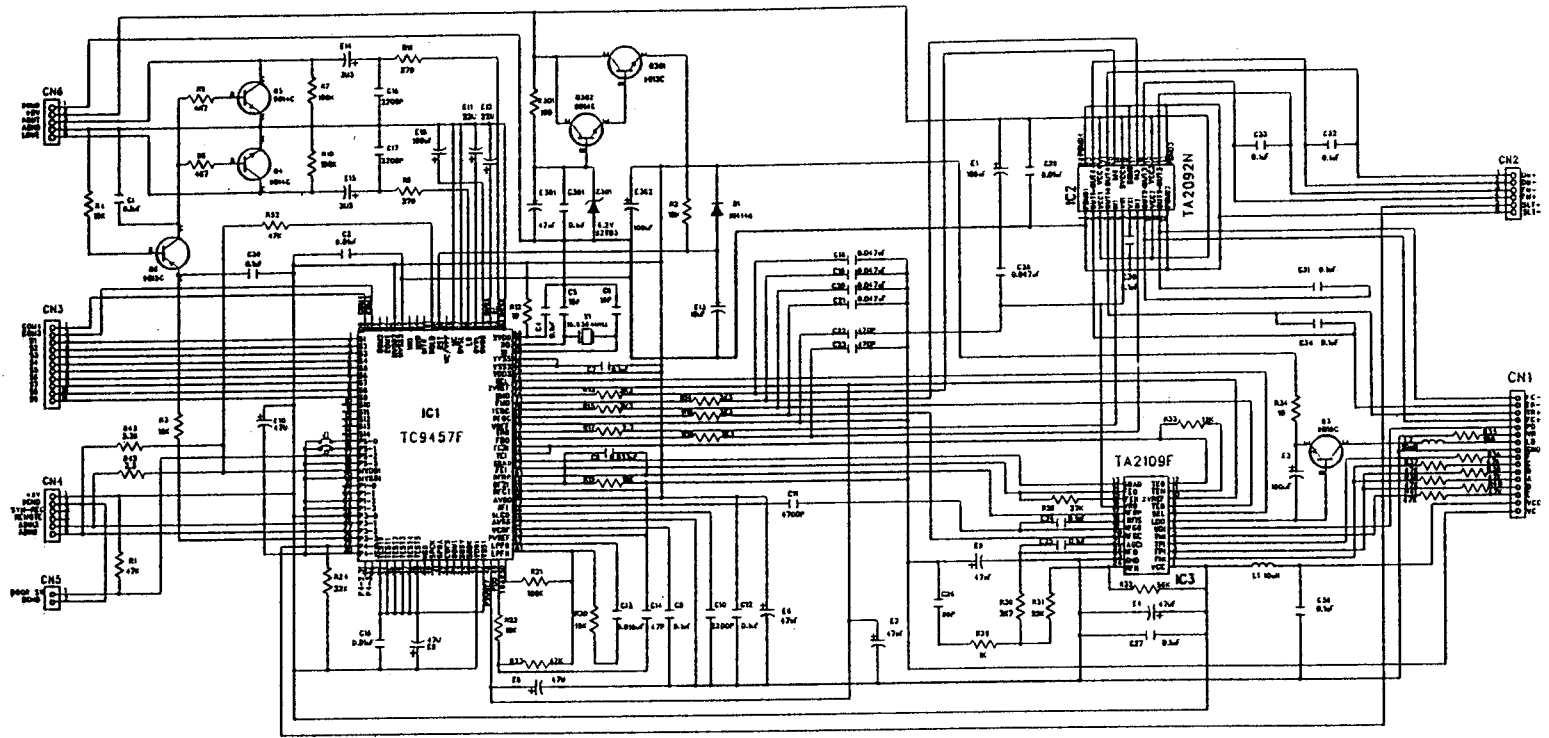
4. BLOCK DIAGRAM



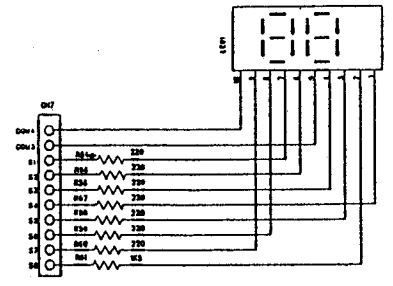
5. SCHEMATIC DIAGRAM



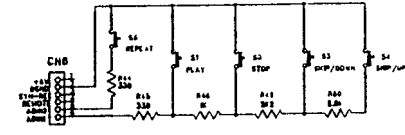
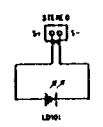
SCHEMATIC DIAGRAM



CD BOARD



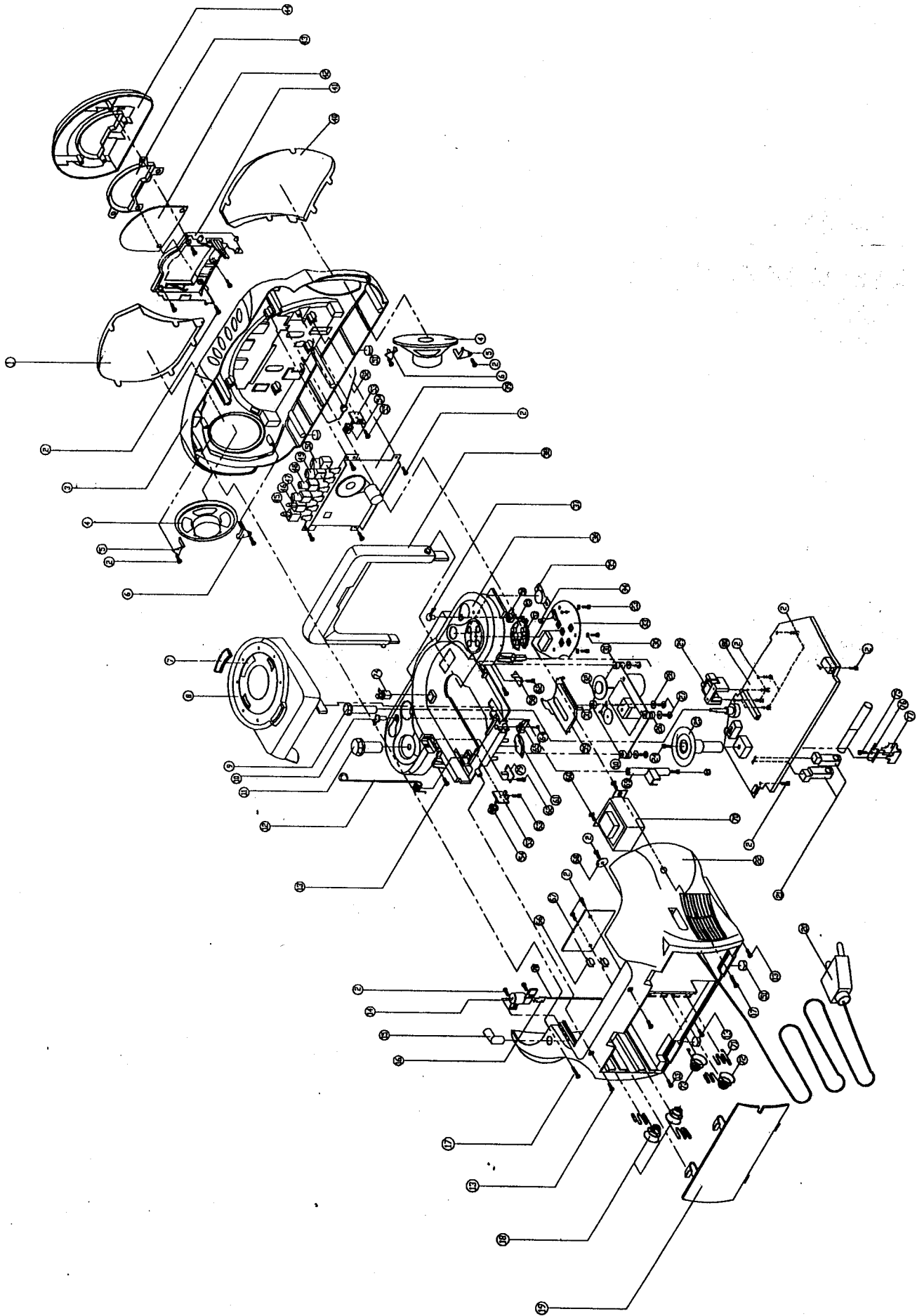
DISPLAY BOARD



KEY BOARD

NOTE:

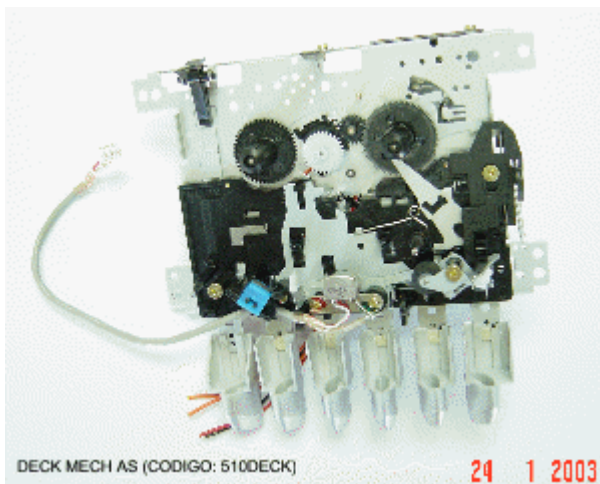
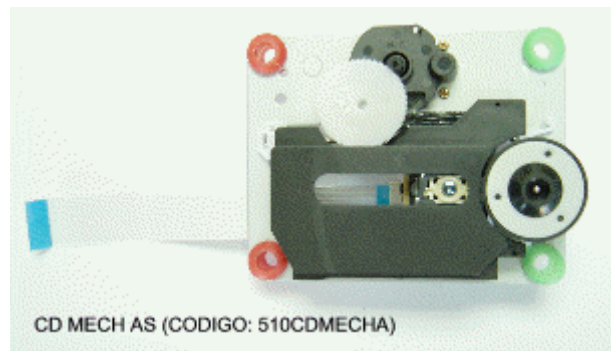
- CN3 connects to CN7
- CN4 connects to CN8
- CN9 connects to incoming SYN-REC SIGNAL



8. EXPLODED VIEW

| <u>ITEM</u> | <u>PART CODE</u> | <u>PART NAME</u> |
|-------------|------------------|------------------|
|-------------|------------------|------------------|

| | | |
|----|----------------|-----------------------------------|
| 39 | 510DECK | DECK MECH AS (ACD-510M) |
| 32 | 510CDMECHA | CD MECH AS(S0H-AAU ACD-510M) |
| 14 | 510MANTROD | ANT ROD(ACD-510M GREY) |
| 14 | 510MANTRODYE | ANT ROD(ACD-510M YELLOW) |
| 3 | 510MCABFRONT | CABINET FRONT(ACD-510M GREY) |
| 3 | 510MCABFRONTYE | CABINET FRONT(ACD-510M YELLOW...) |
| 54 | 510MDAMGEAR | DAMPING GEAR AS(ACD-510M) |
| 44 | 510MDOOR | DOOR CASS(ACD-510M GREY) |
| 8 | 510MDOORCD | DOOR CD(ACD-510M GREY) |
| 8 | 510MDOORCDYE | DOOR CD(ACD-510M <u>YELLOW</u>) |
| 44 | 510MDOORYE | DOOR CASS(ACD-510M YELLOW) |
| 80 | 510MPCBMAIN | PCB MAIN&CD AS (ACD-510M) |
| 65 | 510MSWLEAF | SW LEAF AS (ACD-510M GREY) |
| 70 | 510MTRANSPW | TRANS POWER AS(ACD -510M) |





DOOR CASS (CODIGO: 510MDOOR)

24 1 2003



DOOR CD (CODIGO:510MDOORCD)

24 1 2003



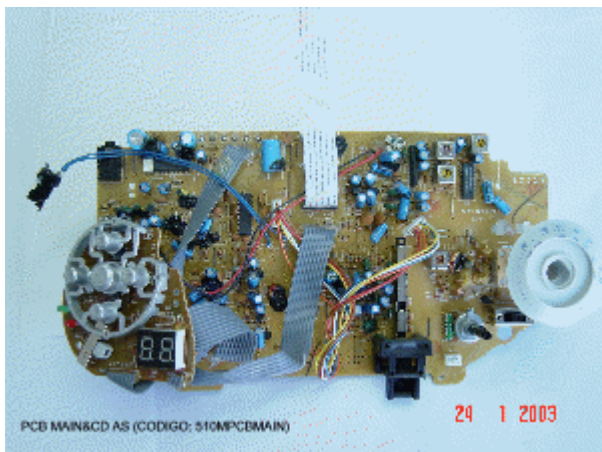
DOOR CD (CODIGO:510MDOORCDYE)

24 1 2003



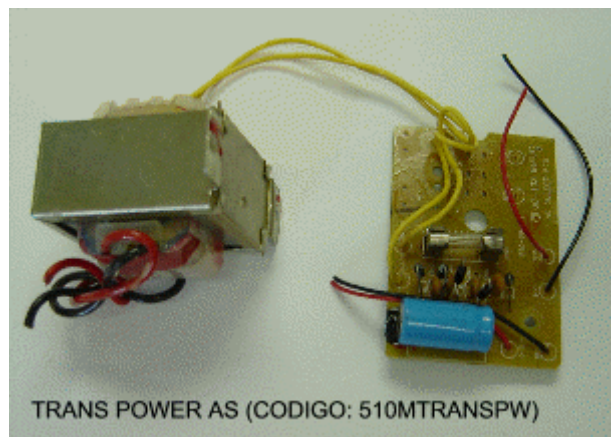
DOOR CASS (CODIGO:510MDOORYE)

24 1 2003



PCB MAIN&CD AS (CODIGO: 510MPCMAIN)

24 1 2003



TRANS POWER AS (CODIGO: 510MTRANSPW)