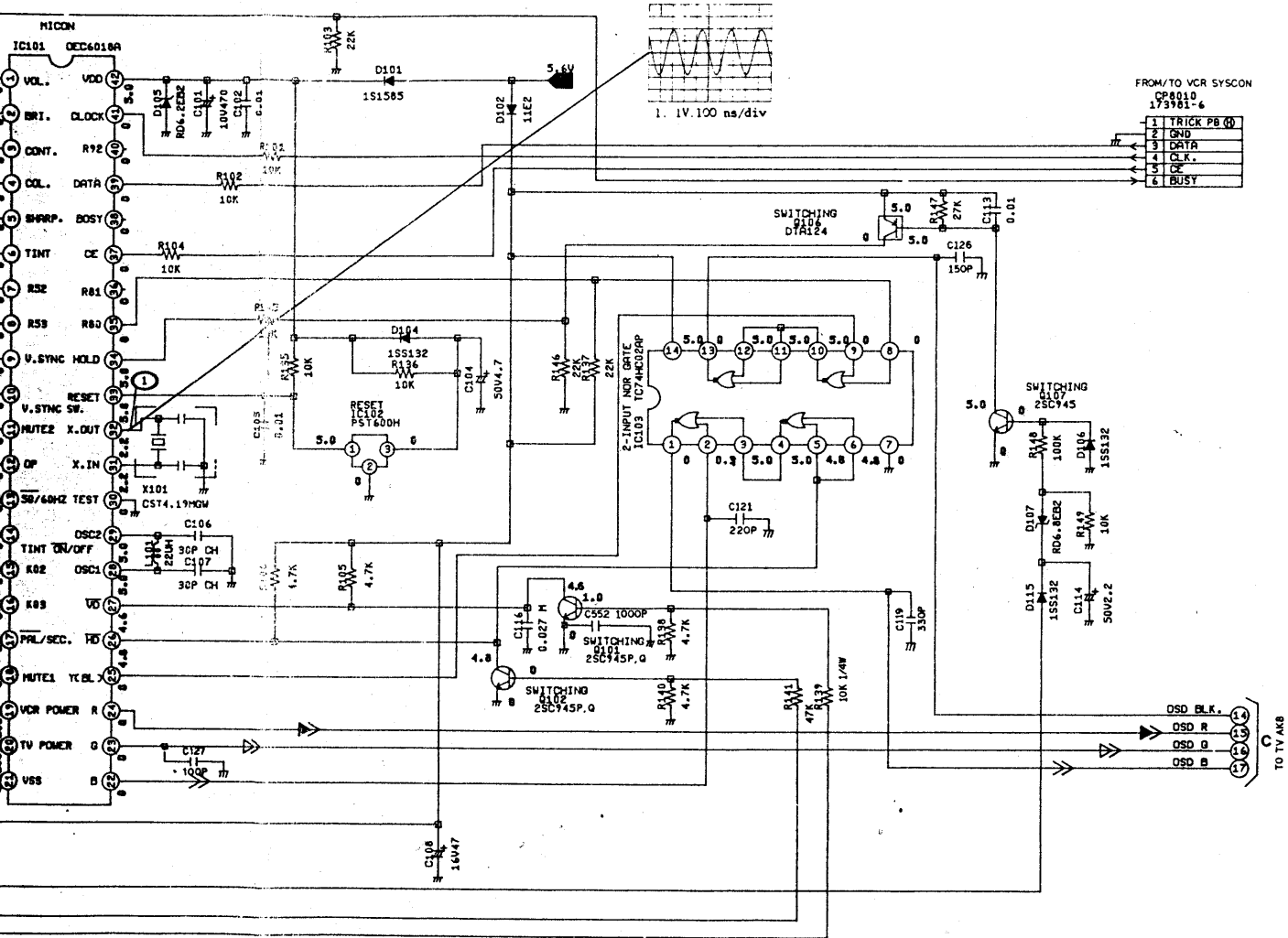


NOTE: THIS SCHEMATIC DIAGRAM IS THE LATEST AT
OF PRINTING AND SUBJECT TO CHANGE WITHOUT
THE DC VOLTAGE AT EACH POINT WAS MEASURED WITH THE
TESTER WHEN THE PA. COLOR BROADCAST WAS RECEIVED
GOOD CONNECTION AND PICTURE IS NORMAL.



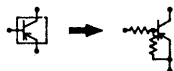
FROM/TO VCR SYSCON
 GP8010
 173981-6

- | | |
|---|--------------|
| 1 | TRICK PB (0) |
| 2 | GND |
| 3 | DATA |
| 4 | CLK. |
| 5 | OP |
| 6 | BUSY |

PCB070 TH0267

NOTE: THIS SCHEMATIC DIAGRAM IS THE LATEST AT THE TIME OF PRINTING AND SUBJECT TO CHANGE WITHOUT NOTICE.
 THE DC VOLTAGE AT EACH POINT WAS MEASURED WITH THE DIGITAL TESTER WHEN THE PAL COLOR BROADCAST WAS RECEIVED IN THE GOOD CONDITION AND PICTURE IS NORMAL.

CAUTION: DIGITAL TRANSISTOR



- ◀ R. SIGNAL
- ◀ G. SIGNAL
- ◀ B. SIGNAL