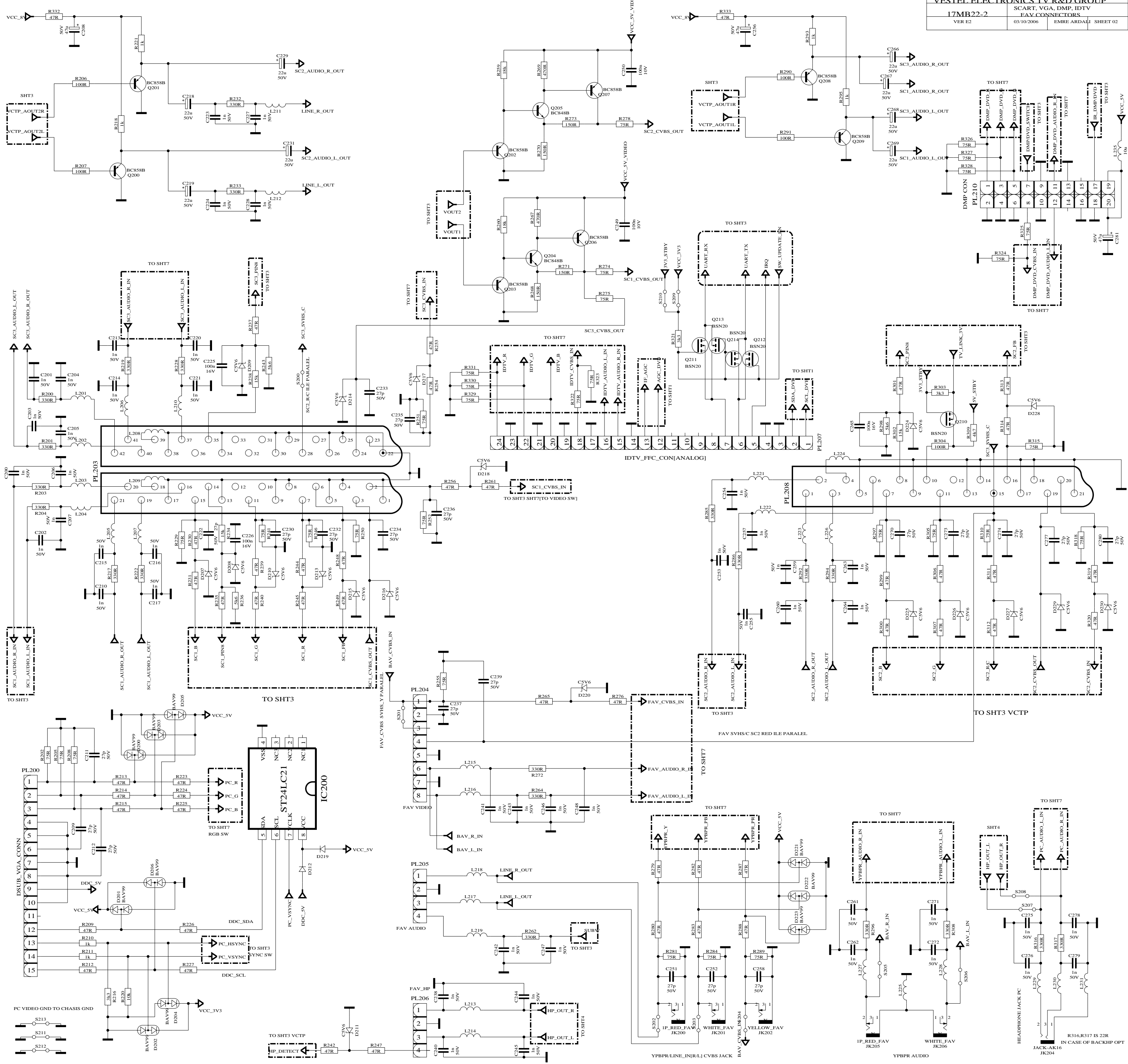
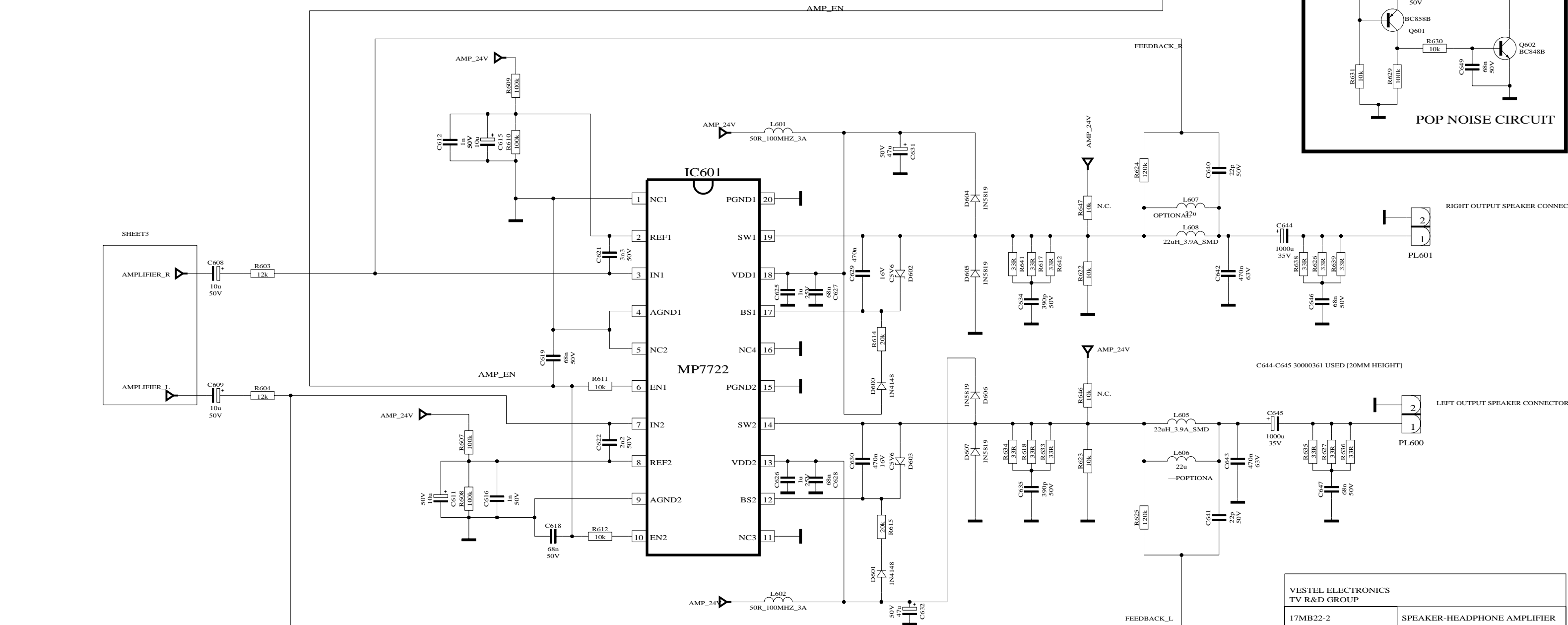
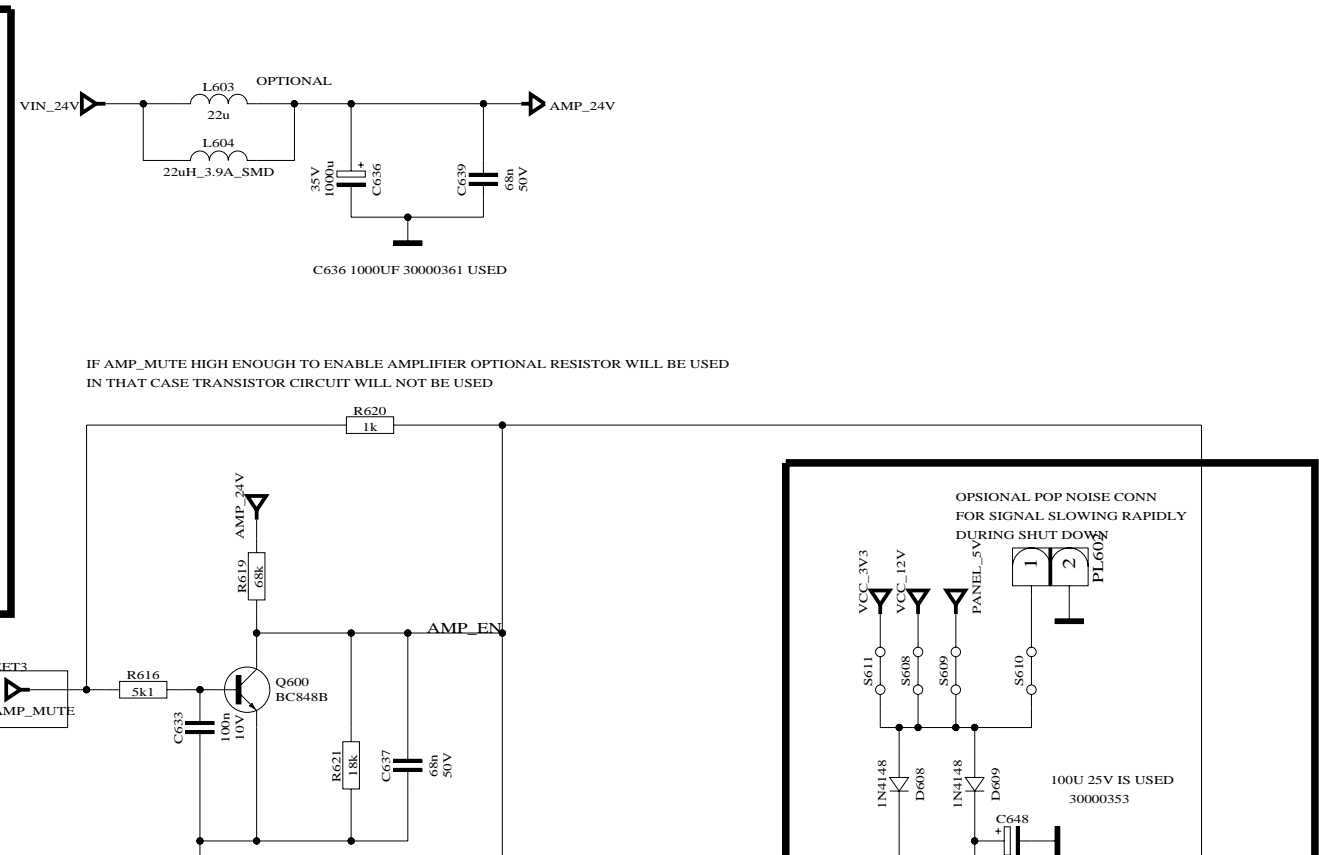
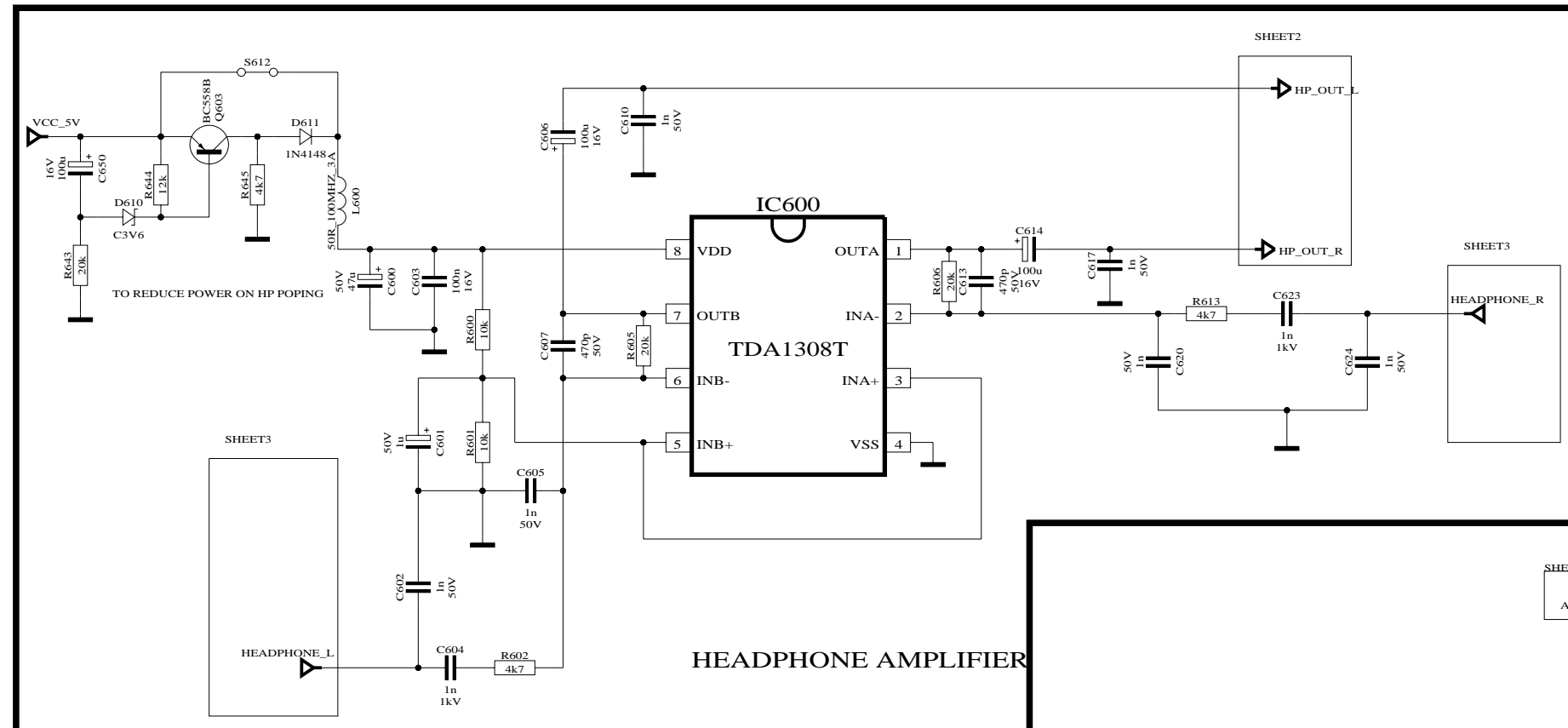


FOR THE USE OF EXTERNAL CLOCK
 C124,C134 IS 1NF [30012581]
 X100 AND C123 IS REMOVED

VESTEL ELECTRONICS TV R&D GROUP		
17MB22-2	TUNER - DRX DEMODULATOR	
VER. E2	DATE 03/10/2006	RASIT GOKALAN Sheet 01



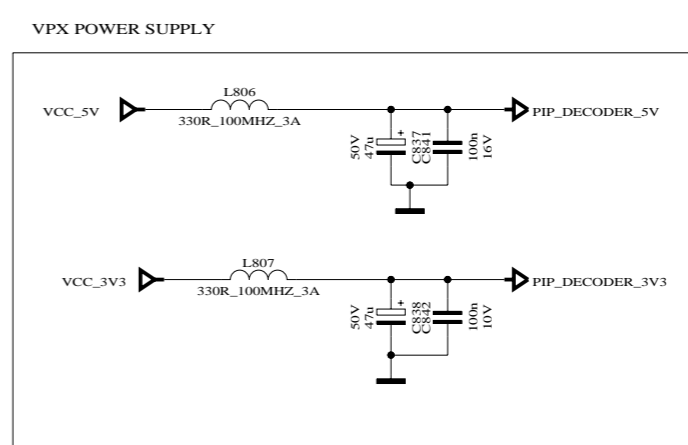
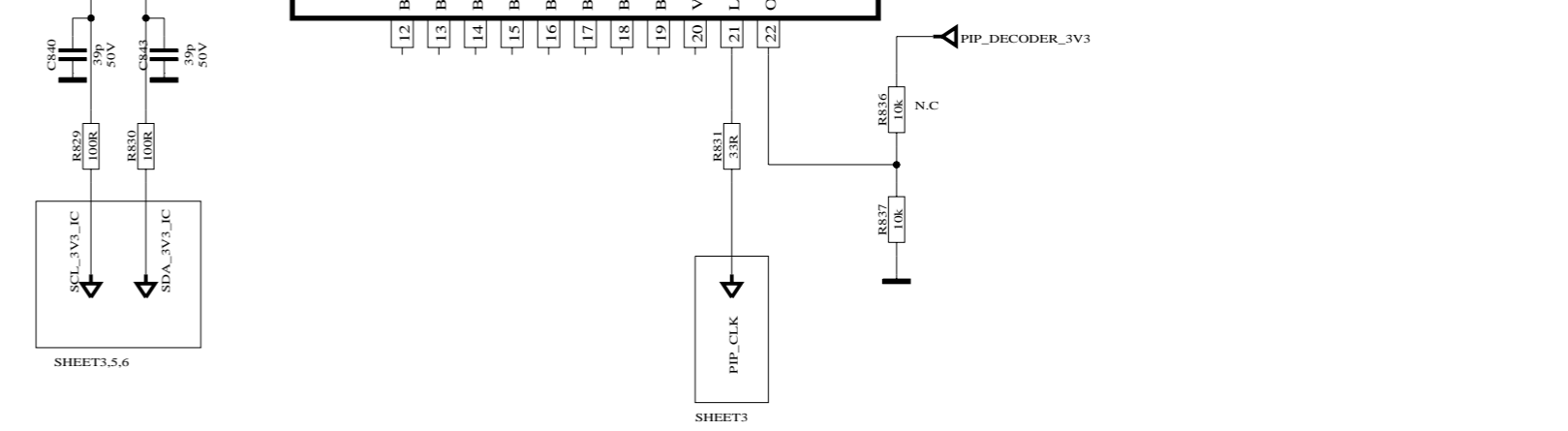
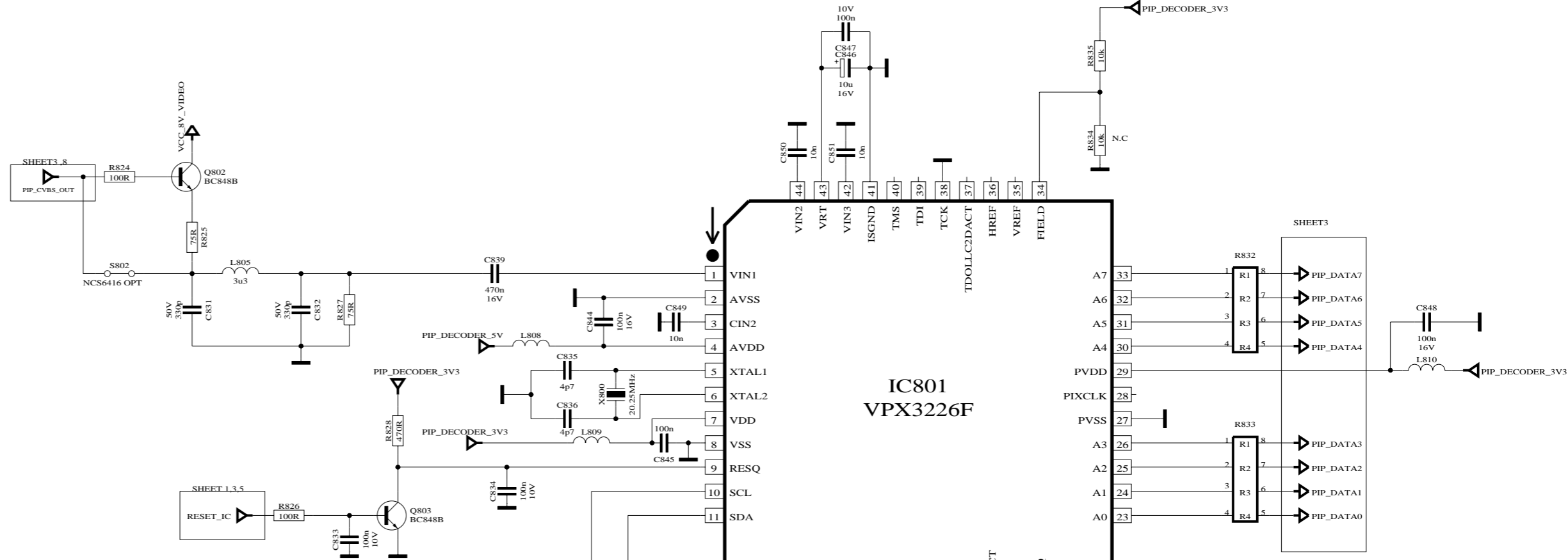
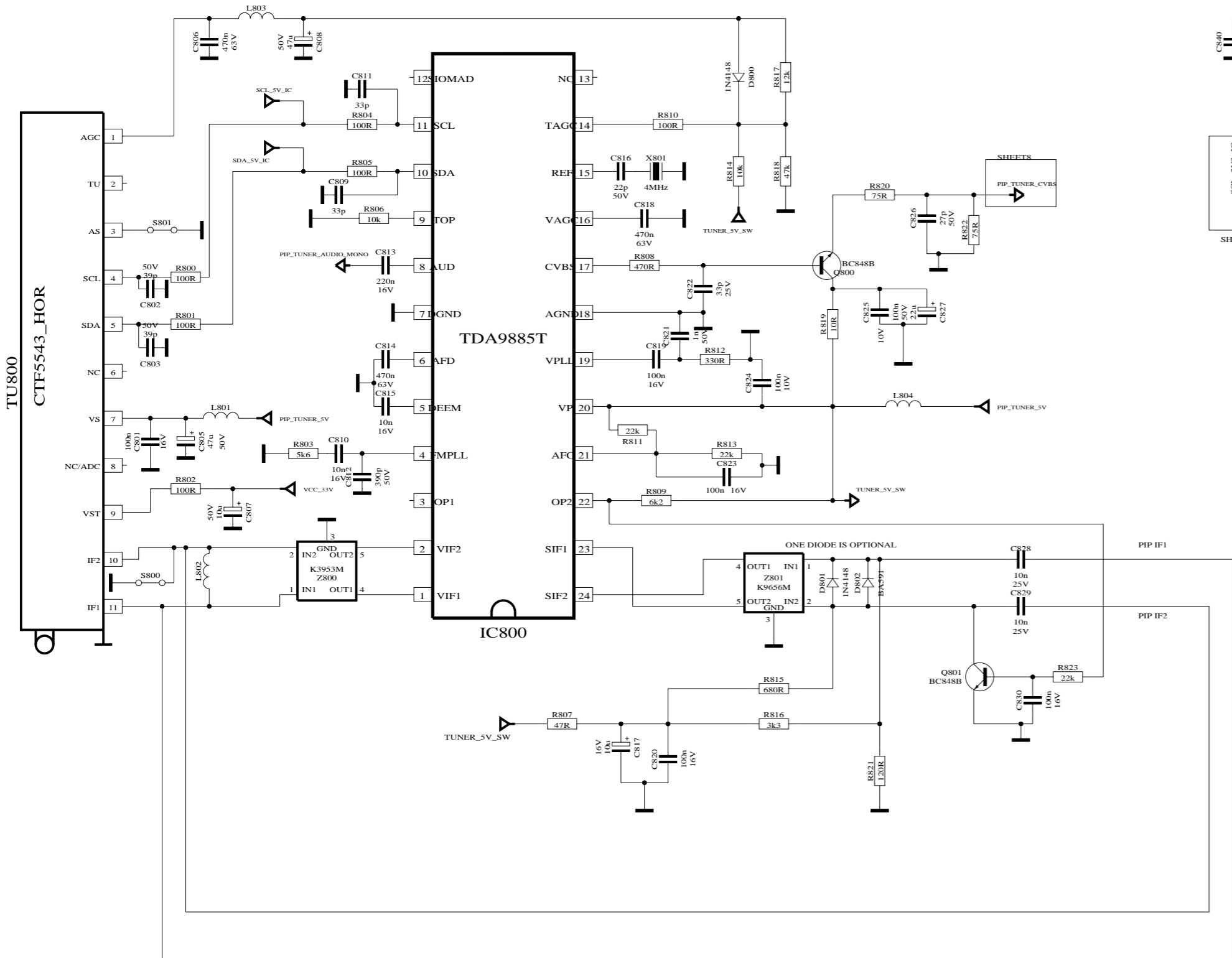
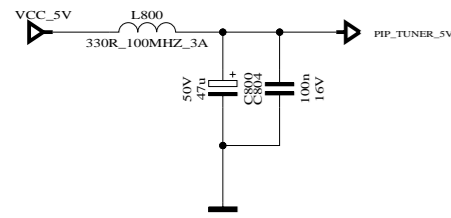
R316,R317 IS 22R
IN CASE OF BACKHIP OPT

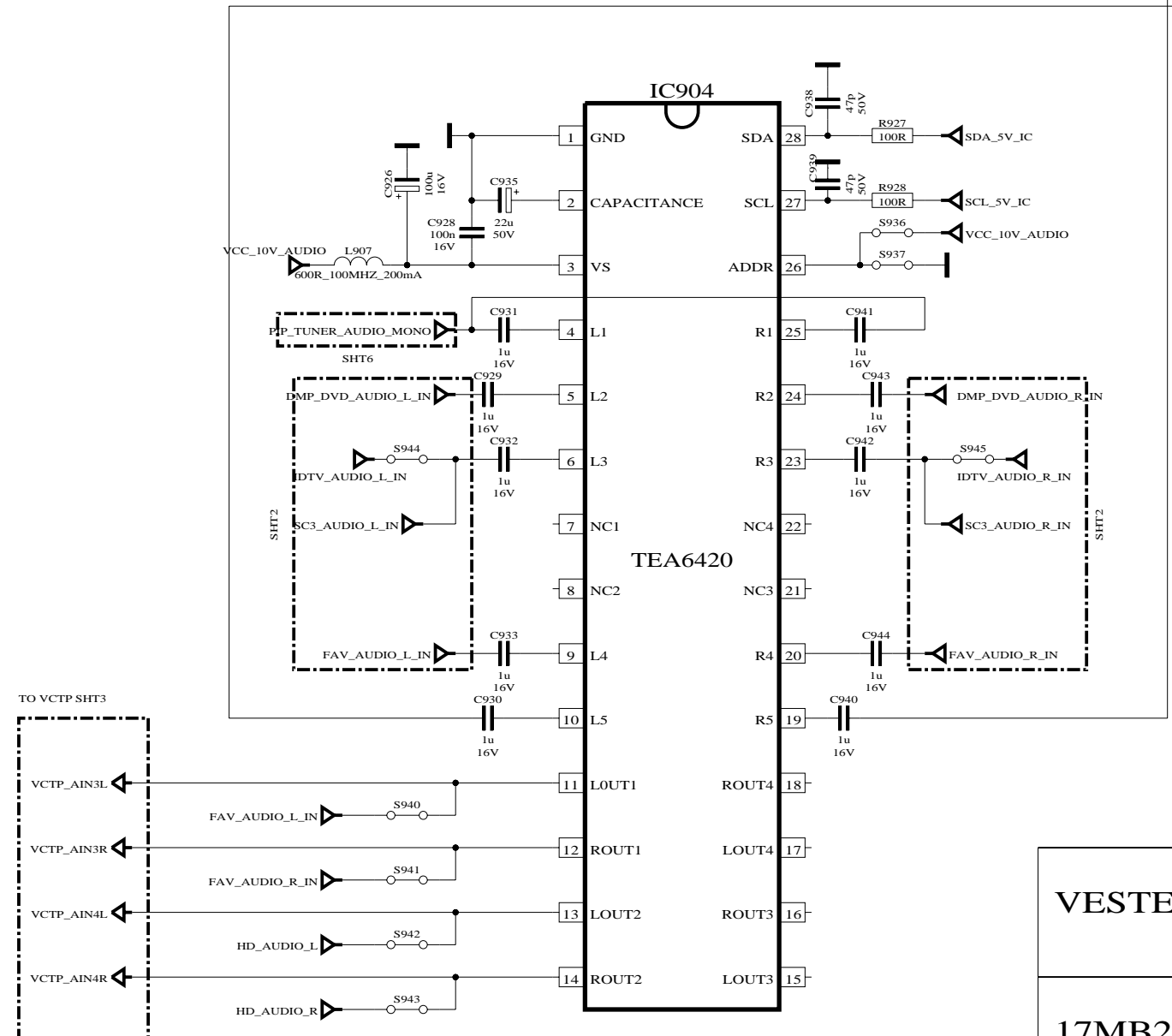
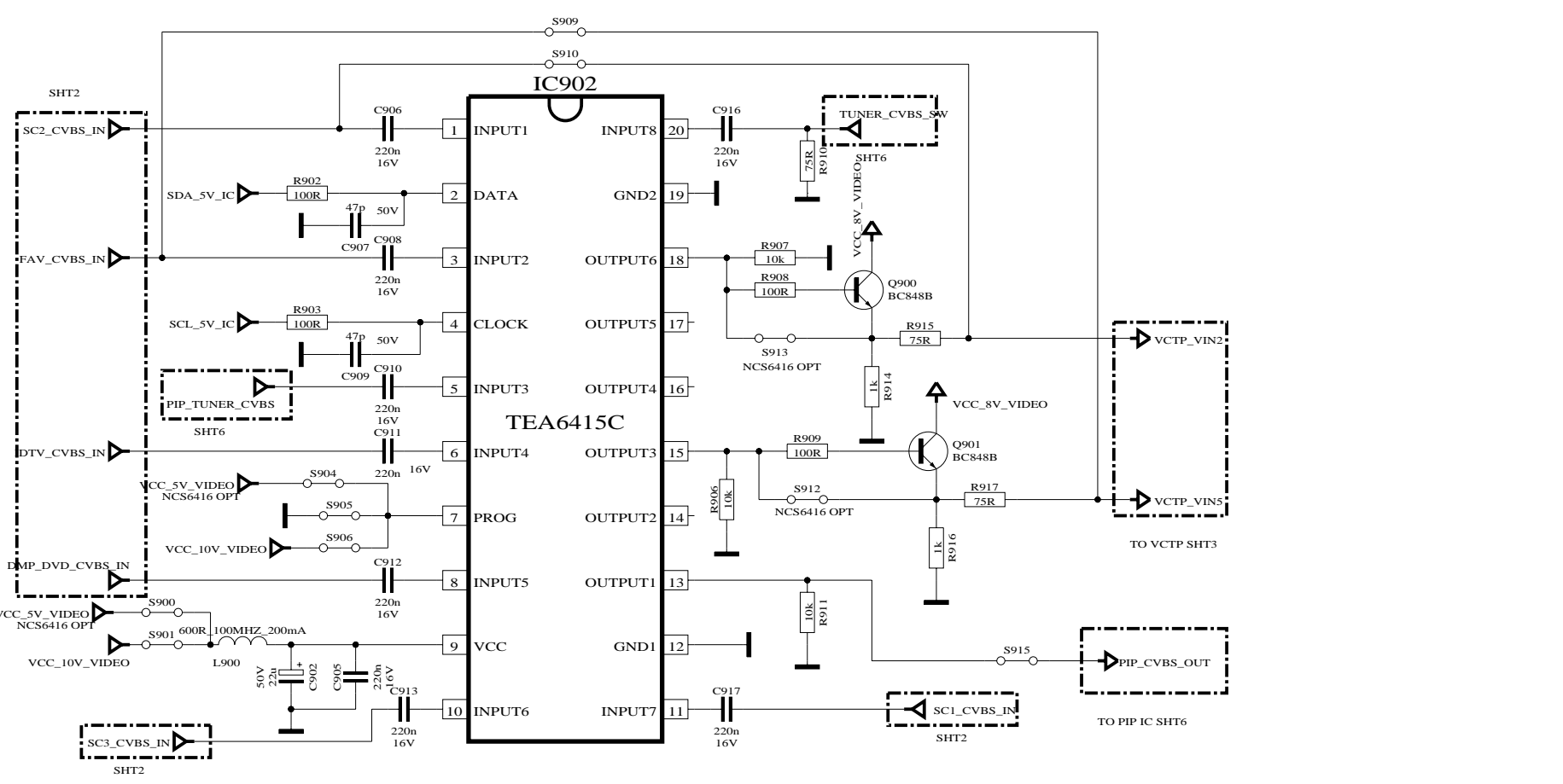
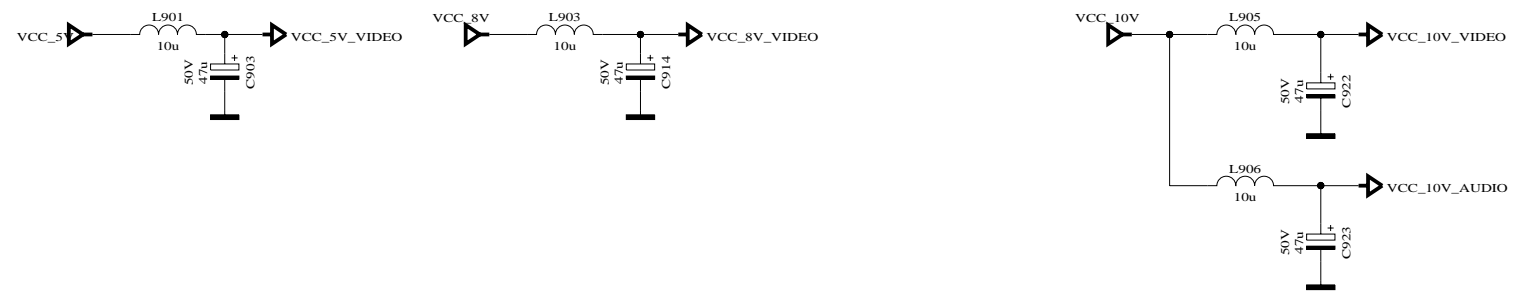
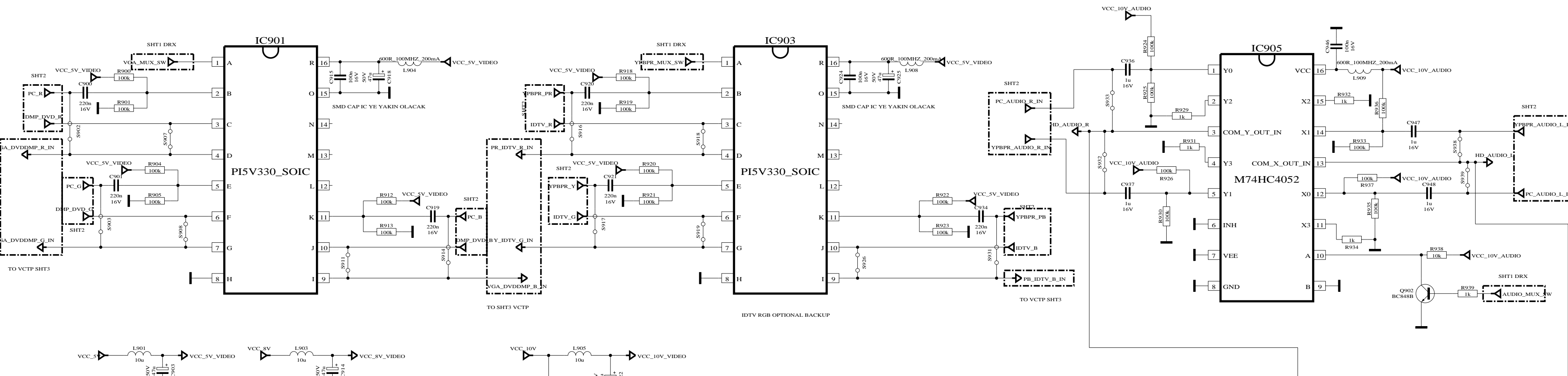


VESTEL ELECTRONICS TV R&D GROUP	
17MB22-2	SPEAKER-HEADPHONE AMPLIFIER
VER. E2	DATE 03/10/2006
	RASIT GOKALAN Sheet 04

C625, C626 IS USED 30046152 1U 50V 805

VESTEL ELECTRONICS			
17MB22-2	PIP TUNER-IF-VPX DECODER		
VER E2	DATE 03/10/2006	RASIT GOKALAN	SHEET 06





VESTEL ELECTRONICS	
17MB22-2	AUDIO VIDEO SW
VER E2	DATE 03/10/2006
	EMRE ARDALI SHEET 07

