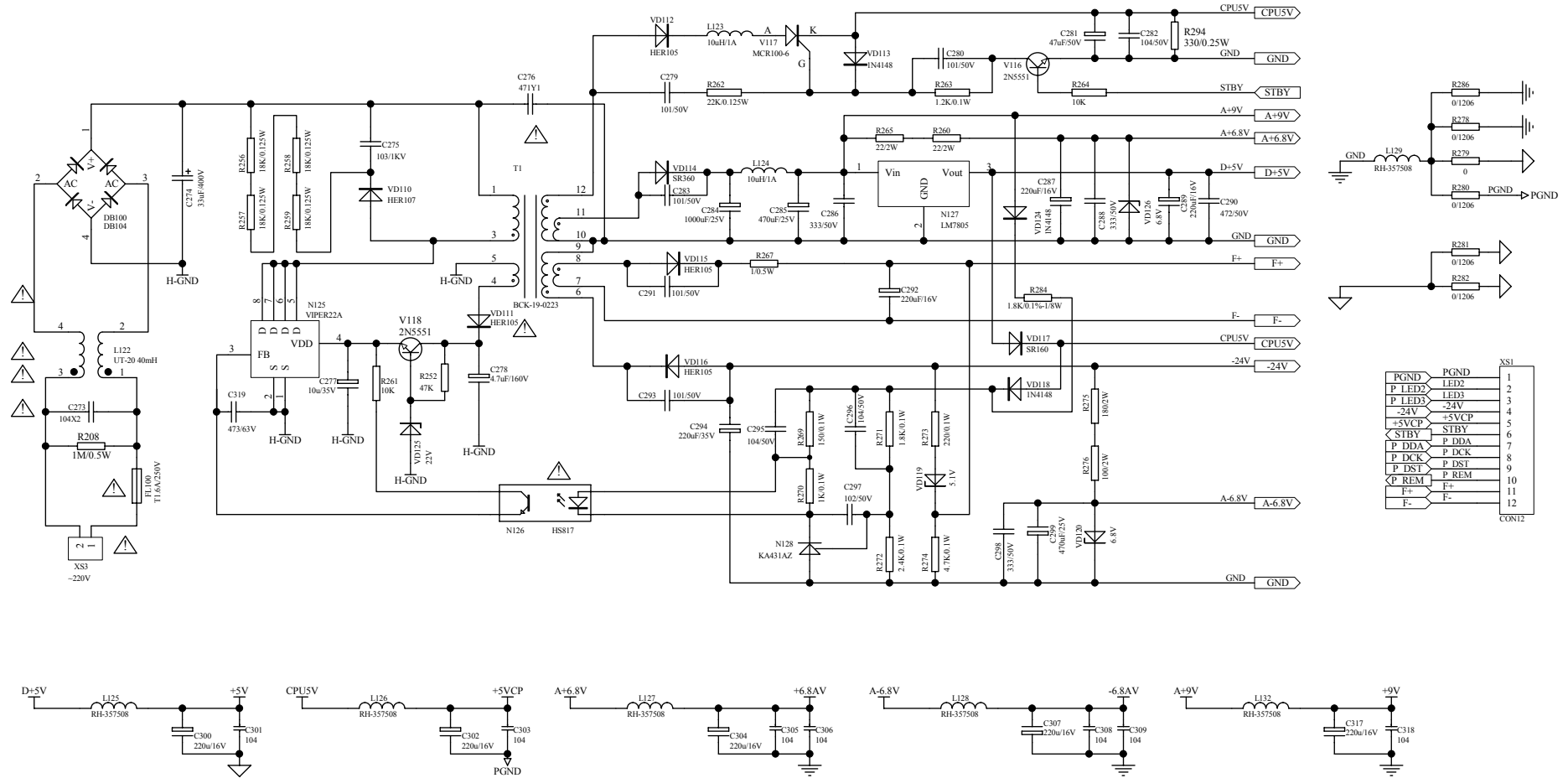


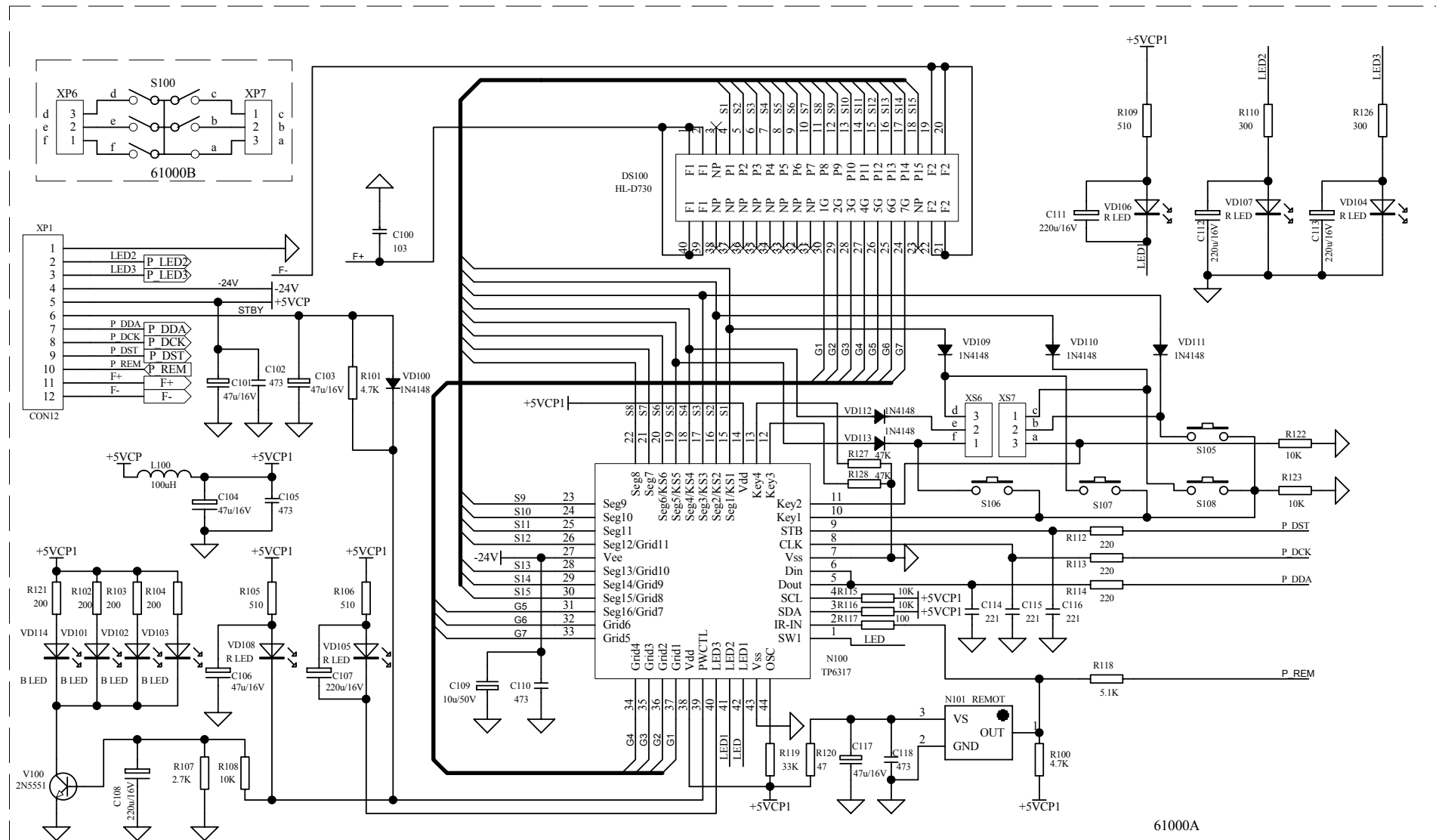
MA-1000/MA-2000 SUPPLY POWER



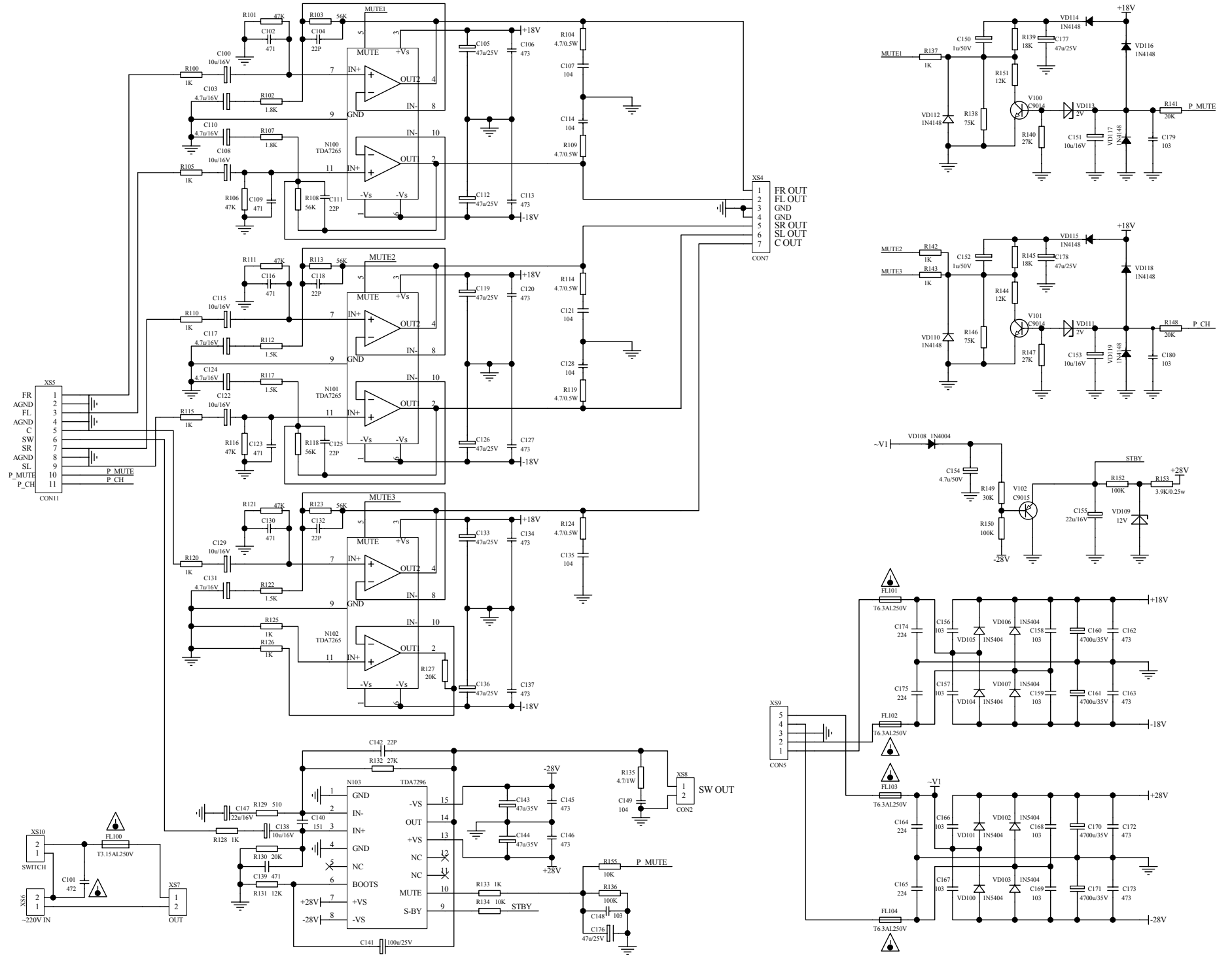
PGND	PGND	XSI
P LED2	LED2	1
P LED3	LED3	2
-24V	-24V	3
+5VCP	+5VCP	4
STBY	STBY	5
P DDA	P DDA	6
P DCK	P DCK	7
P DST	P DST	8
P REM	P REM	9
F+	F+	10
F-	F-	11
		12

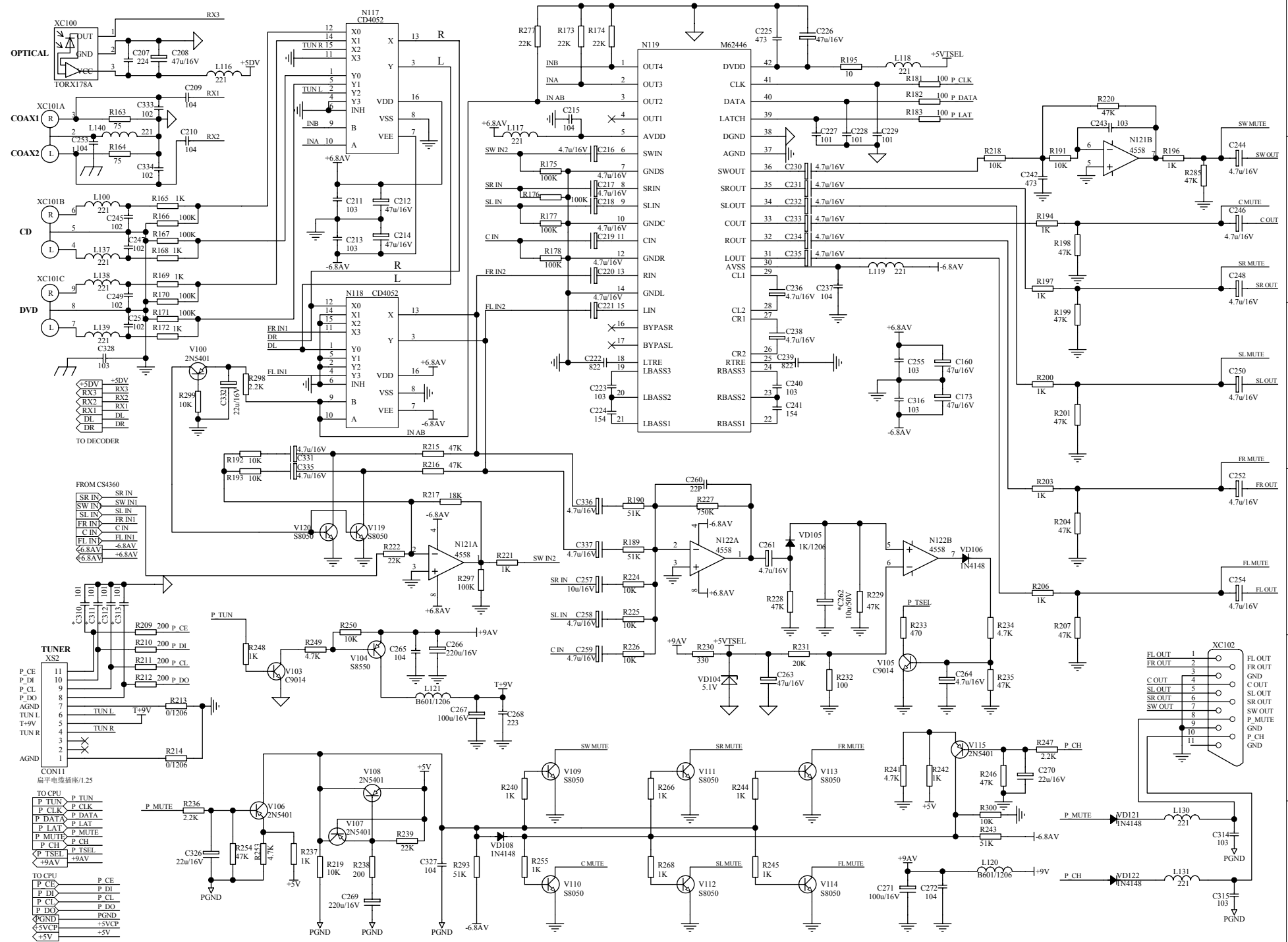
CON12

MA-1000/MA-2000 DISPLAY BOARD



MA-1000/MA-2000 POWER AMPLIFIER





F

E

D

C

B

A

F

E

D

C

B

A

