

MT1389L/K (LQFP128) DVD TEST Board w/ Sanyo HD6x Series PUHs

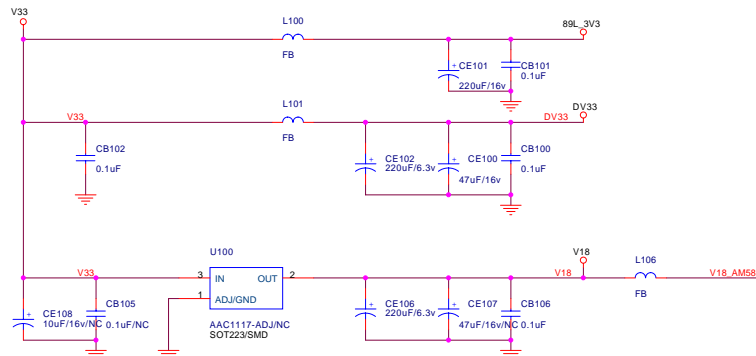
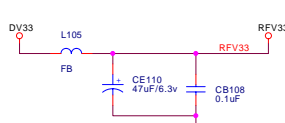
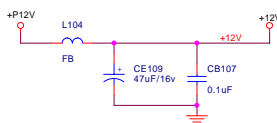
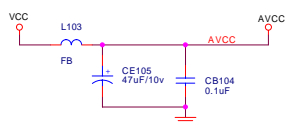
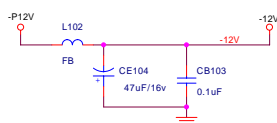
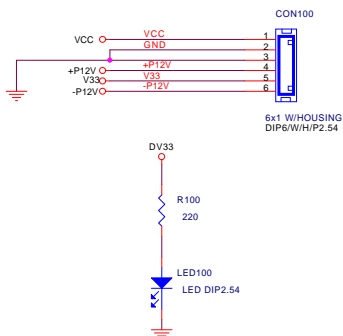
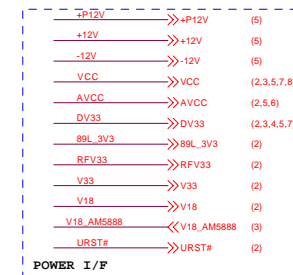
- 1 INDEX & POWER, RESET
- 2 MT1389L/K LQFP128
- 3 MOTOR DRV
- 4 SDRAM & FLASH
- 5 AUDIO I/F
- 6 VIDEO I/F
- 7 MS/SD & USB
- 8 GAME I/F

MT1389L/K Full Function:  
(USB, 1CH MIC, 6CH DAC, VGA/SCART, GAME, CARD, VFD)

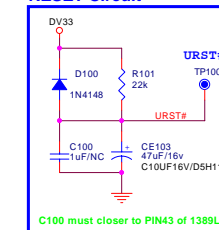
MT1389L/K General GPIO List

Name	PIN	Features
GPIO3	33	GAME_SW
GPIO4	34	LIMIT TROUT
GPIO6	35	TRCLOSE
GPIO7	87	MS_CLK
GPO_A	22	STBY
GPO_B	23	TROPEN IOA
GPIO2	26	TRIN
GPIO8	88	MS_BS SD_CLK
GPIO9	89	MS_D0 SD_CMD
GPIO10	91	SD_D0
GPIO11	92	SCART1 HSYNC
GPIO12	93	ASPDIF
GPIO13	94	VSTB
GPIO19	106	SCART2 VSYNC
GPIO20	107	ADVCM
GPIO21	108	AKIN1 AUDIO_MUTE
GPIOK0	27	USB_DP
GPIOK1	28	USB_DM
GPIOK2	31	PAD_VRT
UP1_6	40	VSCK
UP1_7	41	VSDA
ARF	114	AUDIO_ARF GAME_LOAD
ARS	115	AUDIO_ARS GAME_CLK
ALS	119	AUDIO_ALS GAME_DA1
ALF	120	AUDIO_ALF GAME_DA2

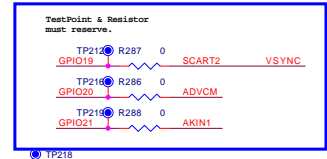
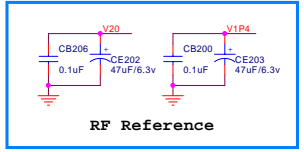
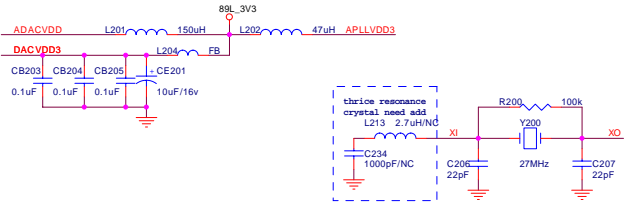
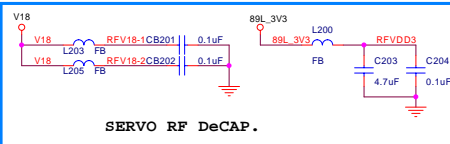
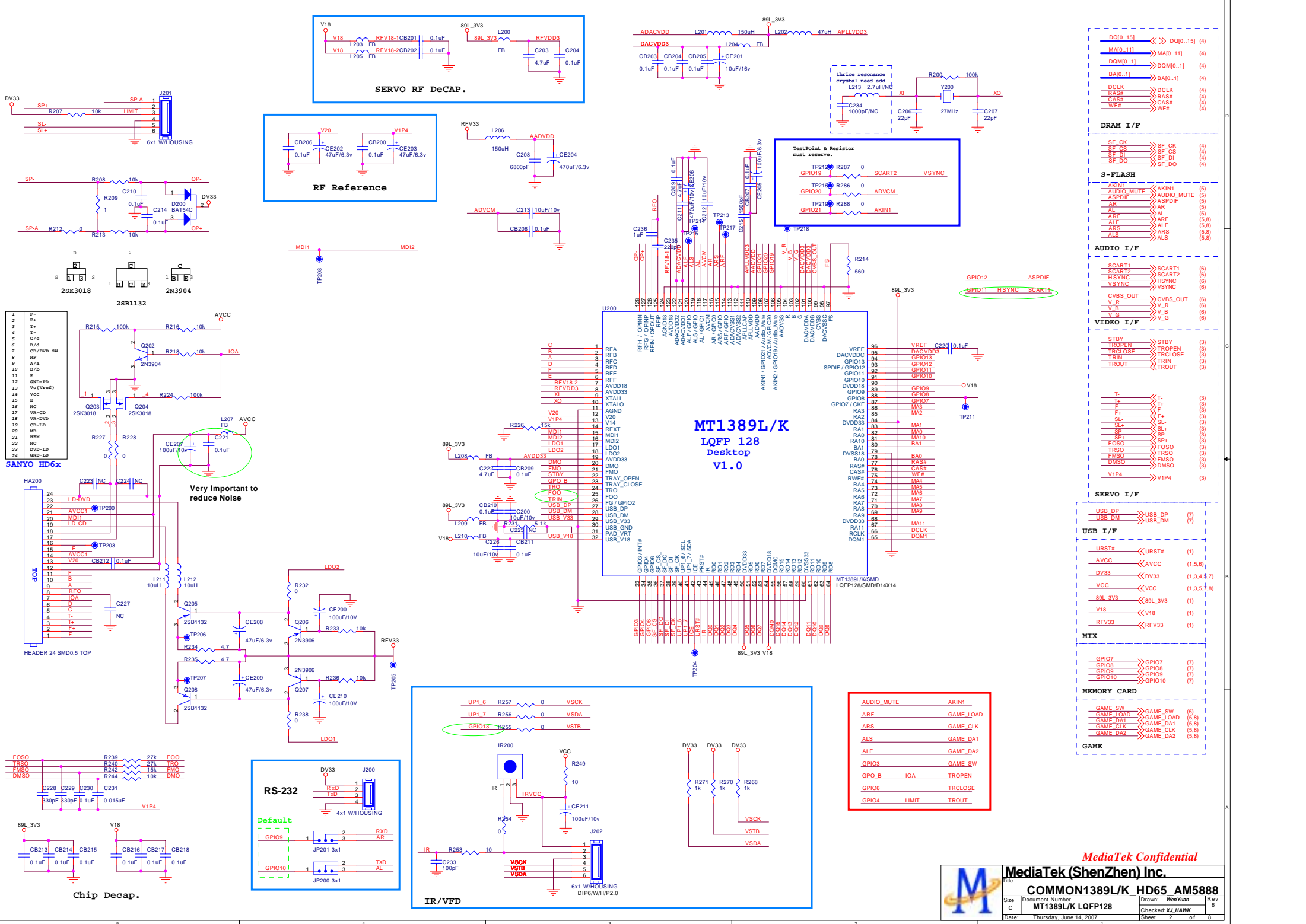
Rev	History	Date
V1	The original released. Base on 3-SYHI89LSD1-V10.DSN	2006/12/12
V2	1), Re-arrange MT1389LK Servo IO Pin & VFD Pin; 2), Update brake ciucuit; 3), Change RFO circuit	2007/01/22
V3_Ext	1), Re-arrange MT1389L IO Pin 2), GPIO Extension Solution; 3), Add Scart Circuit;	2007/02/05
V4_Ext	1), Exchange Trin and Limit GPIO Pin;	2007/02/12
V5_Ext	1), Modify Mute Circuit;	2007/03/01
V6	1), Re-arrange MT1389L IO Pin; 2), Add GPIO reuse function and circuit;	2007/06/05



RESET Circuit



MediaTek Confidential



DO[0..15]	<<>	DO[0..15]	(4)
MA[0..11]	<<>	MA[0..11]	(4)
DM[0..1]	<<>	DM[0..1]	(4)
BA[0..1]	<<>	BA[0..1]	(4)
DCLK	<<>	DCLK	(4)
RAS#	<<>	RAS#	(4)
CAS#	<<>	CAS#	(4)
WE#	<<>	WE#	(4)

**DRAM I/F**

SF CK	<<>	SF CK	(4)
SF CS	<<>	SF CS	(4)
SF DI	<<>	SF DI	(4)
SF DO	<<>	SF DO	(4)

**S-FLASH**

AKIN1	<<>	AKIN1	(5)
AUDIO MUTE	<<>	AUDIO MUTE	(5)
ASPDIF	<<>	ASPDIF	(5)
AR	<<>	AR	(5)
ALF	<<>	ALF	(5)
ALP	<<>	ALP	(5)
ALR	<<>	ALR	(5)
ARS	<<>	ARS	(5)
ALS	<<>	ALS	(5)

**AUDIO I/F**

SCART2	<<>	SCART1	(6)
SCART2	<<>	SCART2	(6)
HSYNC	<<>	HSYNC	(6)
VSYNC	<<>	VSYNC	(6)
CVBS_OUT	<<>	CVBS_OUT	(6)
V_R	<<>	V_R	(6)
V_R	<<>	V_R	(6)
V_G	<<>	V_G	(6)

**VDDBO I/F**

STBY	<<>	STBY	(3)
TROPEN	<<>	TROPEN	(3)
TRCLOSE	<<>	TRCLOSE	(3)
TRIN	<<>	TRIN	(3)
TROUT	<<>	TROUT	(3)

T-	<<>	T-	(3)
T+	<<>	T+	(3)
F-	<<>	F-	(3)
F+	<<>	F+	(3)
SL-	<<>	SL-	(3)
SL+	<<>	SL+	(3)
SP-	<<>	SP-	(3)
SP+	<<>	SP+	(3)
FOSO	<<>	FOSO	(3)
TRSO	<<>	TRSO	(3)
FMSO	<<>	FMSO	(3)
DMSO	<<>	DMSO	(3)

**SERVO I/F**

USB_DP	<<>	USB_DP	(7)
USB_DM	<<>	USB_DM	(7)

**USB I/F**

URST#	<<>	URST#	(1)
AVCC	<<>	AVCC	(1,5,6)
DV33	<<>	DV33	(1,3,4,7)
VCC	<<>	VCC	(1,3,5,7,8)
89L_3V3	<<>	89L_3V3	(1)
V18	<<>	V18	(1)
RFV33	<<>	RFV33	(1)

**MIX**

GPIO7	<<>	GPIO7	(7)
GPIO8	<<>	GPIO8	(7)
GPIO9	<<>	GPIO9	(7)
GPIO10	<<>	GPIO10	(7)

**MEMORY CARD**

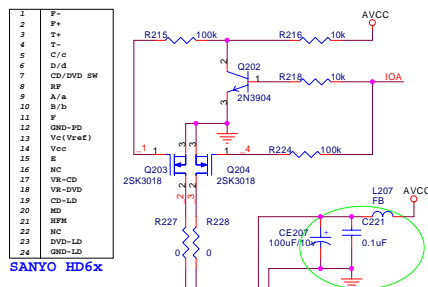
GAME_SW	<<>	GAME_SW	(5)
GAME_LOAD	<<>	GAME_LOAD	(5)
GAME_DA1	<<>	GAME_DA1	(5,8)
GAME_CLK	<<>	GAME_CLK	(5,8)
GAME_DA2	<<>	GAME_DA2	(5,8)

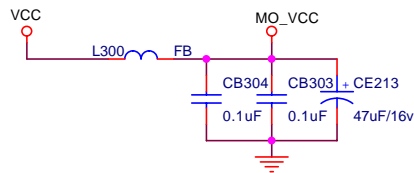
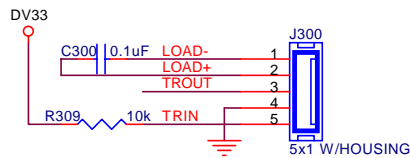
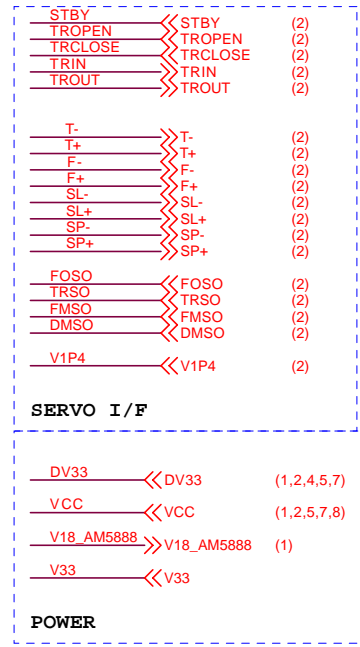
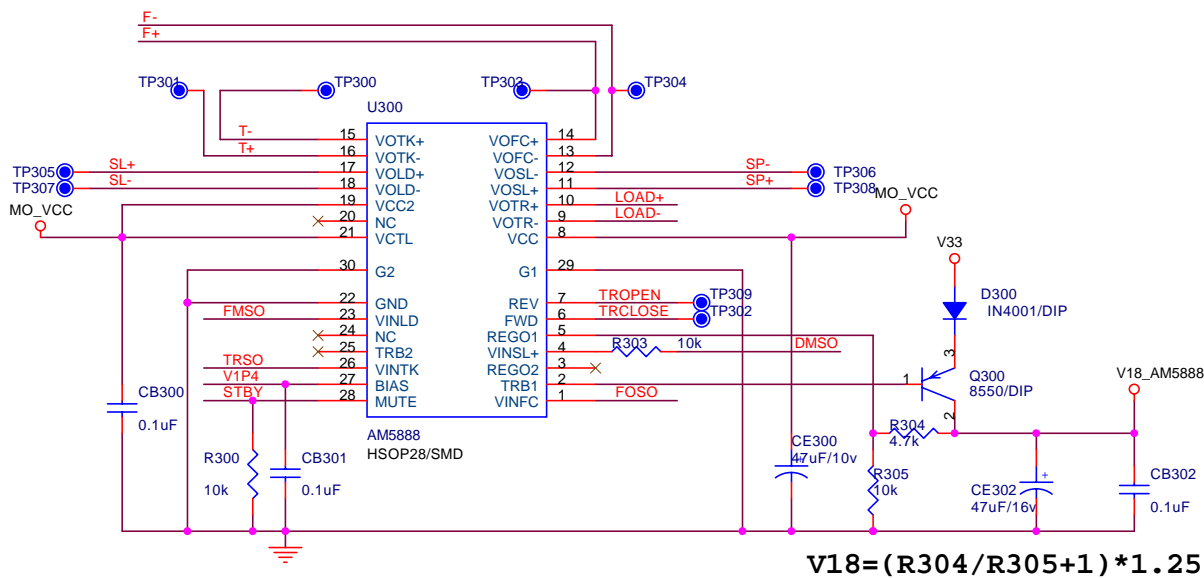
**GAME**

GPIO3	<<>	GPIO3	(7)
GPIO4	<<>	GPIO4	(7)
GPIO6	<<>	GPIO6	(7)
GPIO8	<<>	GPIO8	(7)


**MT1389L/K LQFP 128 Desktop V1.0**

1	RFH / OPINN	36	VREF
2	RFH / OPINP	35	DACVDD3
3	RFH / RFP	34	GPIO13
4	RFH / RFB	33	GPIO19
5	RFH / RFD	32	GPIO12
6	RFH / RFE	31	GPIO11
7	RFV18-2	30	GPIO10
8	AVDD18	29	GPIO9
9	AVDD18	28	GPIO8
10	AVDD18	27	GPIO7
11	AVDD18	26	GPIO6
12	AVDD18	25	GPIO5
13	AVDD18	24	GPIO4
14	AVDD18	23	GPIO3
15	AVDD18	22	GPIO2
16	AVDD18	21	GPIO1
17	AVDD18	20	GPIO0
18	AVDD18	19	GPIO0
19	AVDD18	18	GPIO0
20	AVDD18	17	GPIO0
21	AVDD18	16	GPIO0
22	AVDD18	15	GPIO0
23	AVDD18	14	GPIO0
24	AVDD18	13	GPIO0
25	AVDD18	12	GPIO0
26	AVDD18	11	GPIO0
27	AVDD18	10	GPIO0
28	AVDD18	9	GPIO0
29	AVDD18	8	GPIO0
30	AVDD18	7	GPIO0
31	AVDD18	6	GPIO0
32	AVDD18	5	GPIO0
33	AVDD18	4	GPIO0
34	AVDD18	3	GPIO0
35	AVDD18	2	GPIO0
36	AVDD18	1	GPIO0
37	AVDD18	0	GPIO0
38	AVDD18	0	GPIO0
39	AVDD18	0	GPIO0
40	AVDD18	0	GPIO0
41	AVDD18	0	GPIO0
42	AVDD18	0	GPIO0
43	AVDD18	0	GPIO0
44	AVDD18	0	GPIO0
45	AVDD18	0	GPIO0
46	AVDD18	0	GPIO0
47	AVDD18	0	GPIO0
48	AVDD18	0	GPIO0
49	AVDD18	0	GPIO0
50	AVDD18	0	GPIO0
51	AVDD18	0	GPIO0
52	AVDD18	0	GPIO0
53	AVDD18	0	GPIO0
54	AVDD18	0	GPIO0
55	AVDD18	0	GPIO0
56	AVDD18	0	GPIO0
57	AVDD18	0	GPIO0
58	AVDD18	0	GPIO0
59	AVDD18	0	GPIO0
60	AVDD18	0	GPIO0
61	AVDD18	0	GPIO0
62	AVDD18	0	GPIO0
63	AVDD18	0	GPIO0
64	AVDD18	0	GPIO0
65	AVDD18	0	GPIO0
66	AVDD18	0	GPIO0
67	AVDD18	0	GPIO0
68	AVDD18	0	GPIO0
69	AVDD18	0	GPIO0
70	AVDD18	0	GPIO0
71	AVDD18	0	GPIO0
72	AVDD18	0	GPIO0
73	AVDD18	0	GPIO0
74	AVDD18	0	GPIO0
75	AVDD18	0	GPIO0
76	AVDD18	0	GPIO0
77	AVDD18	0	GPIO0
78	AVDD18	0	GPIO0
79	AVDD18	0	GPIO0
80	AVDD18	0	GPIO0
81	AVDD18	0	GPIO0
82	AVDD18	0	GPIO0
83	AVDD18	0	GPIO0
84	AVDD18	0	GPIO0
85	AVDD18	0	GPIO0
86	AVDD18	0	GPIO0
87	AVDD18	0	GPIO0
88	AVDD18	0	GPIO0
89	AVDD18	0	GPIO0
90	AVDD18	0	GPIO0
91	AVDD18	0	GPIO0
92	AVDD18	0	GPIO0
93	AVDD18	0	GPIO0
94	AVDD18	0	GPIO0
95	AVDD18	0	GPIO0
96	AVDD18	0	GPIO0
97	AVDD18	0	GPIO0
98	AVDD18	0	GPIO0
99	AVDD18	0	GPIO0
100	AVDD18	0	GPIO0
101	AVDD18	0	GPIO0
102	AVDD18	0	GPIO0
103	AVDD18	0	GPIO0
104	AVDD18	0	GPIO0
105	AVDD18	0	GPIO0
106	AVDD18	0	GPIO0
107	AVDD18	0	GPIO0
108	AVDD18	0	GPIO0
109	AVDD18	0	GPIO0
110	AVDD18	0	GPIO0
111	AVDD18	0	GPIO0
112	AVDD18	0	GPIO0
113	AVDD18	0	GPIO0
114	AVDD18	0	GPIO0
115	AVDD18	0	GPIO0
116	AVDD18	0	GPIO0
117	AVDD18	0	GPIO0
118	AVDD18	0	GPIO0
119	AVDD18	0	GPIO0
120	AVDD18	0	GPIO0
121	AVDD18	0	GPIO0
122	AVDD18	0	GPIO0
123	AVDD18	0	GPIO0
124	AVDD18	0	GPIO0
125	AVDD18	0	GPIO0
126	AVDD18	0	GPIO0
127	AVDD18	0	GPIO0
128	AVDD18	0	GPIO0

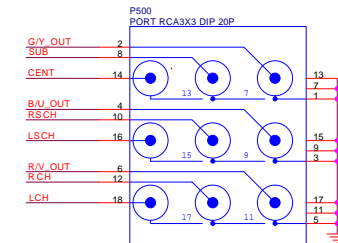
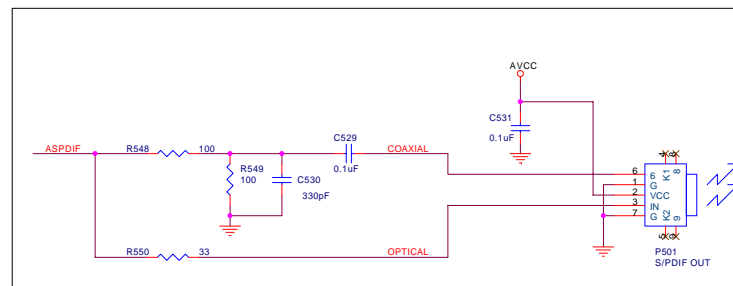
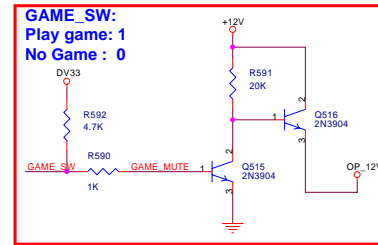
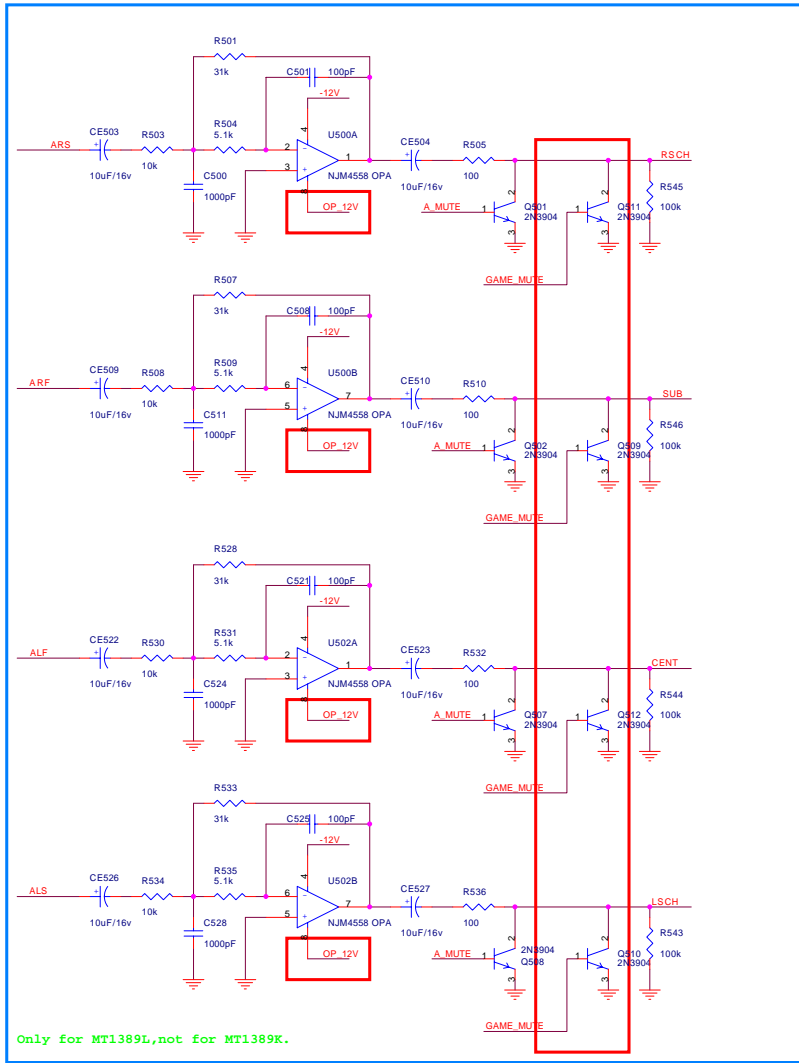
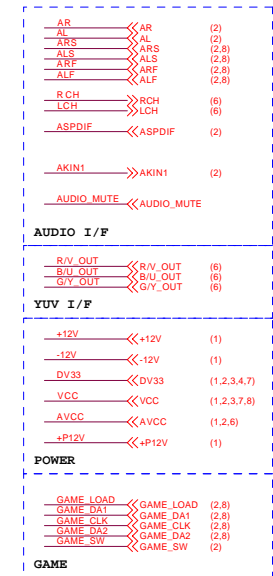
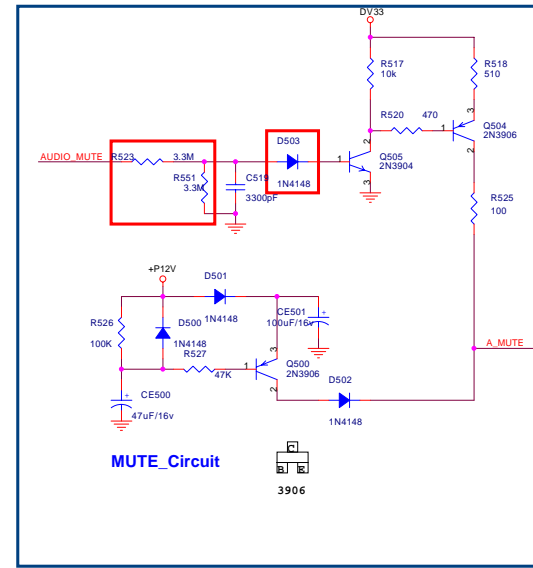
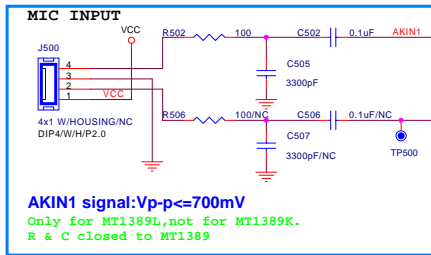
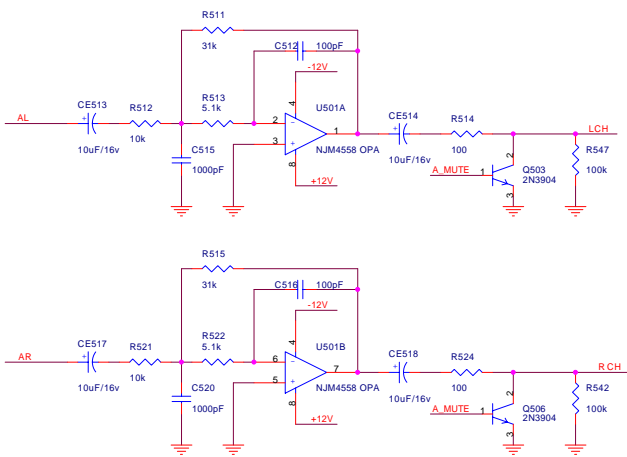


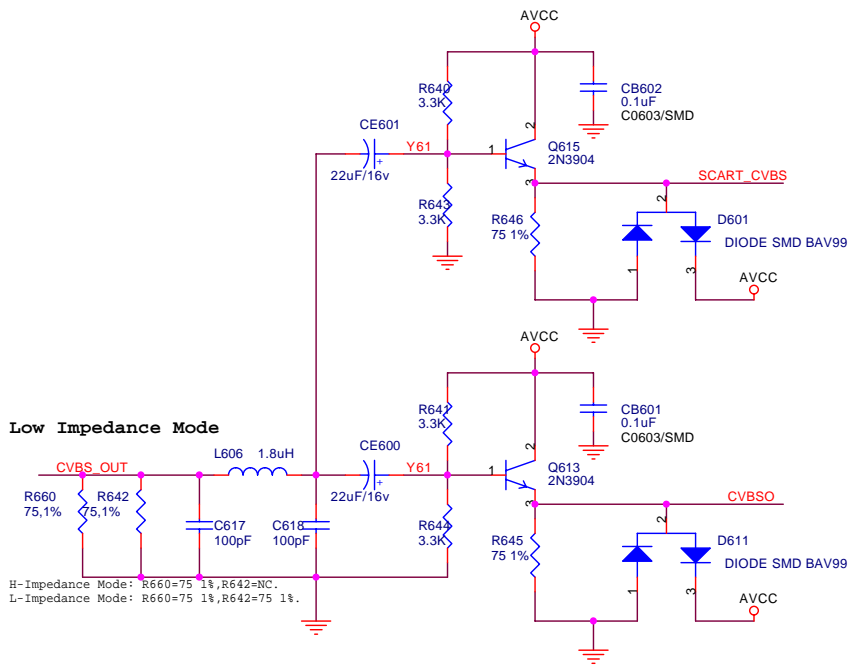
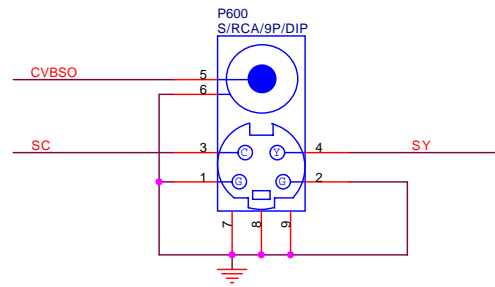
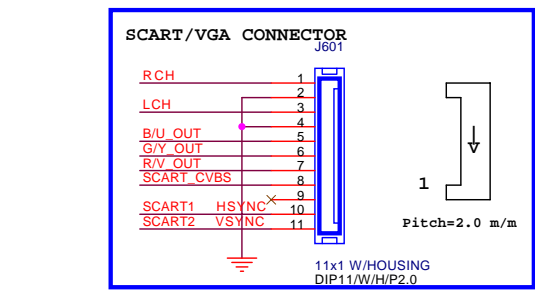
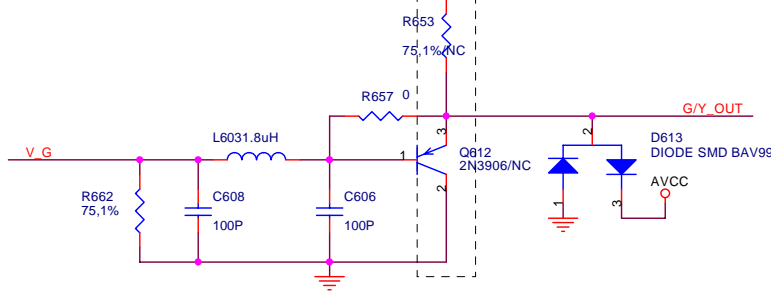
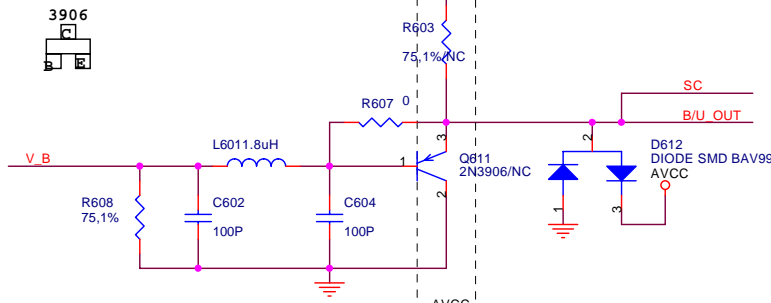
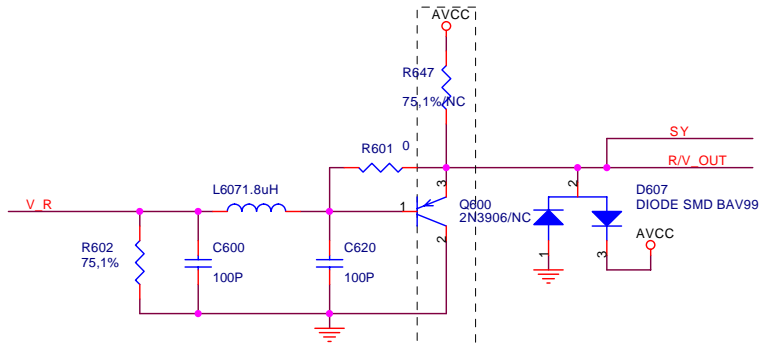


*MediaTek Confidential*

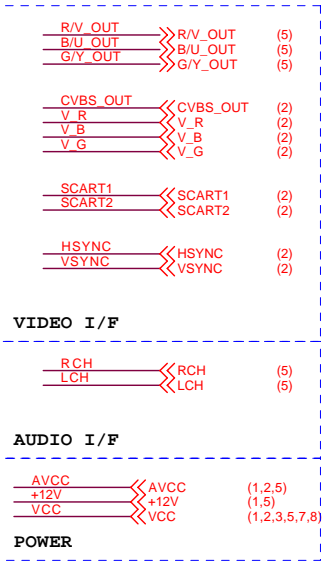
		<b>MediaTek (ShenZhen) Inc.</b>	
		<b>COMMON1389L/K HD65 AM5888</b>	
Size	Document Number	Drawn: <b>WenYuan</b>	Rev
Custom	<b>MOTOR DRV</b>	Checked: <b>XJ_HAWK</b>	6
Date:	Wednesday, June 13, 2007	Sheet	3 of 8





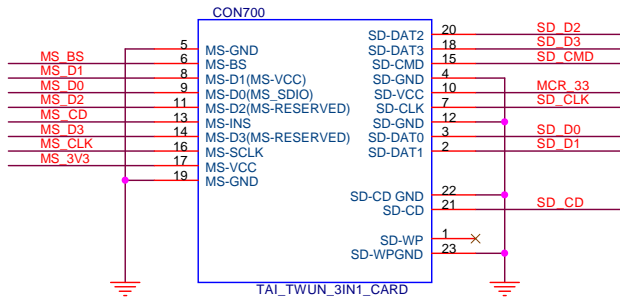


H-Impedance Mode: R660=75 1%,R642=NC.  
L-Impedance Mode: R660=75 1%,R642=75 1%.

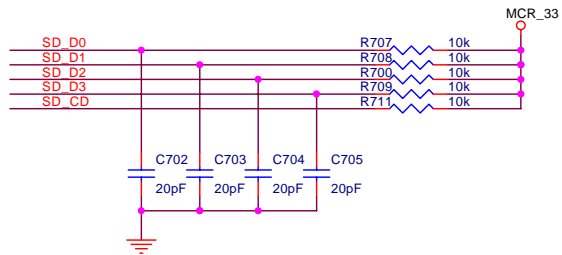
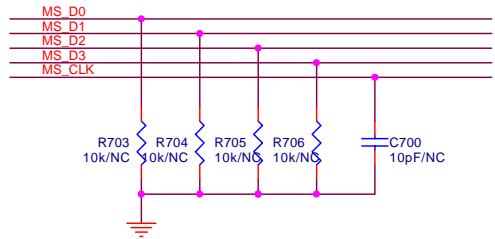
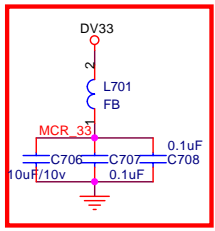
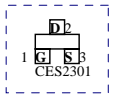
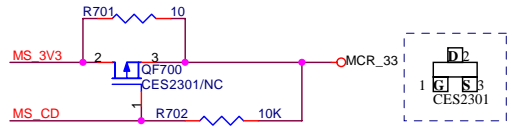
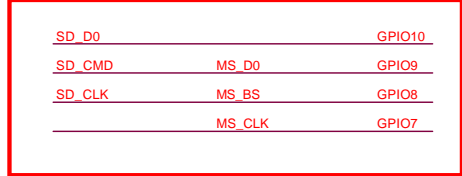
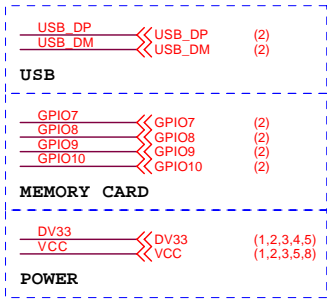
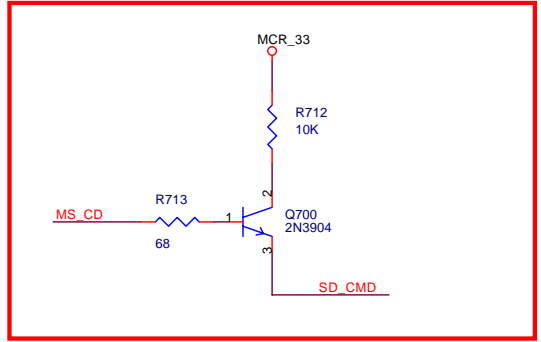


MediaTek Confidential

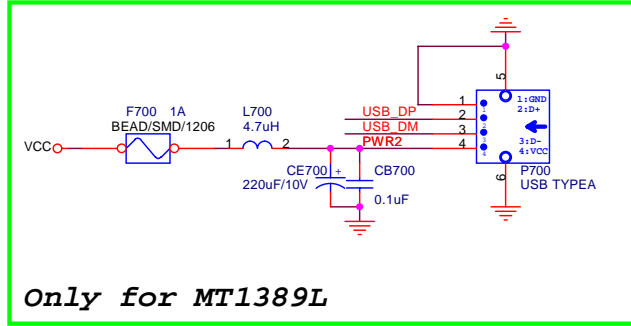
	<b>MediaTek (ShenZhen) Inc.</b>		
	<b>COMMON1389L/K HD65 AM5888</b>		
Size	Document Number	Drawn: WenYuan	Rev
B	VIDEO OUT	Checked: XJ_HAWK	6
Date:	Monday, June 11, 2007	Sheet	6 of 8



TAI\_TWUN\_3IN1\_CARD



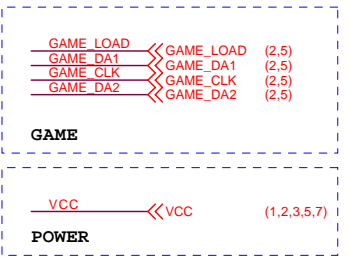
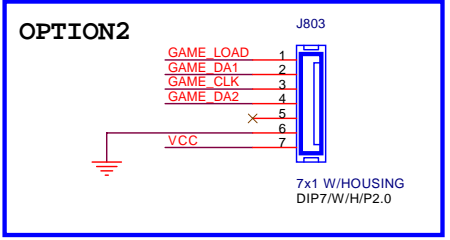
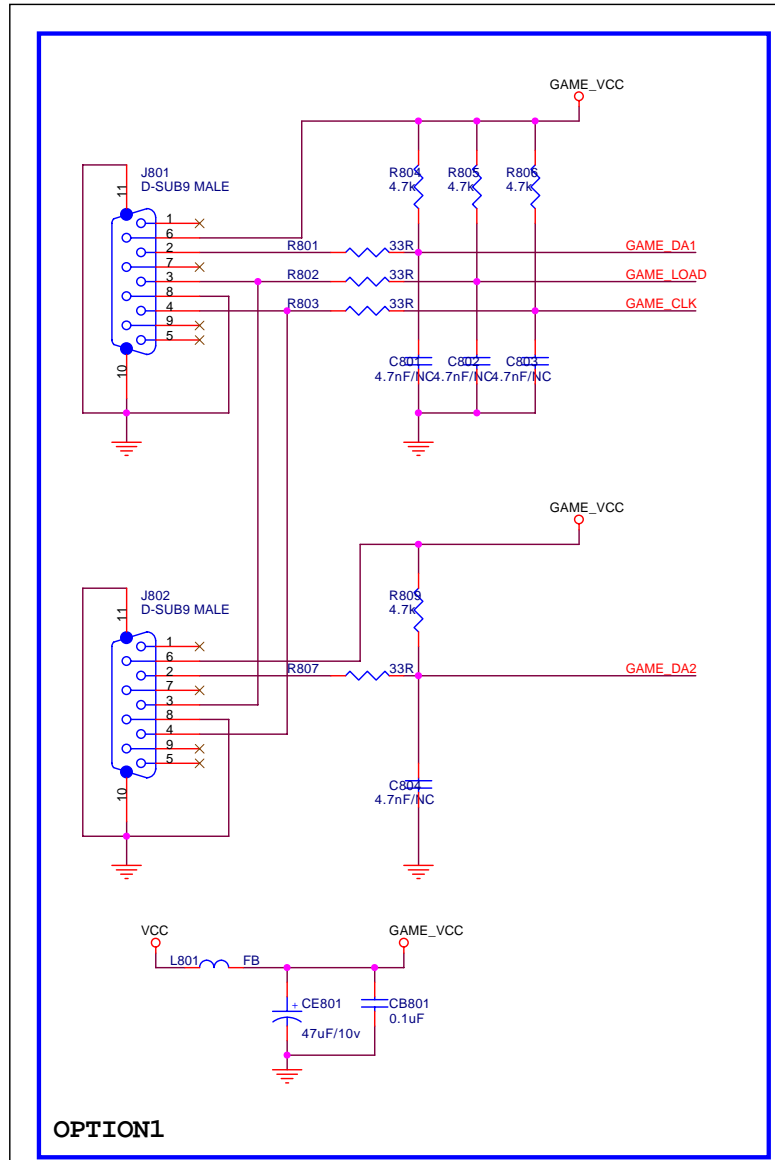
Only For MT1389L



Only for MT1389L

MediaTek Confidential

	<b>MediaTek (ShenZhen) Inc.</b>		
	<b>COMMON1389L/K HD65 AM5888</b>		
Size	Document Number	Drawn: WenYuan	Rev
B	MS/SD & USB	Checked: XJ_HAWK	6
Date:	Monday, June 11, 2007	Sheet	7 of 8



MediaTek Confidential



<b>MediaTek (ShenZhen) Inc.</b>			
Title <b>COMMON1389L/K HD65 AM5888</b>			
Size B	Document Number <b>GAME I/F</b>	Drawn: <i>WenYuan</i>	Rev 6
Date: Monday, June 11, 2007		Checked: <i>XJ_HAWK</i>	Sheet 8 of 8