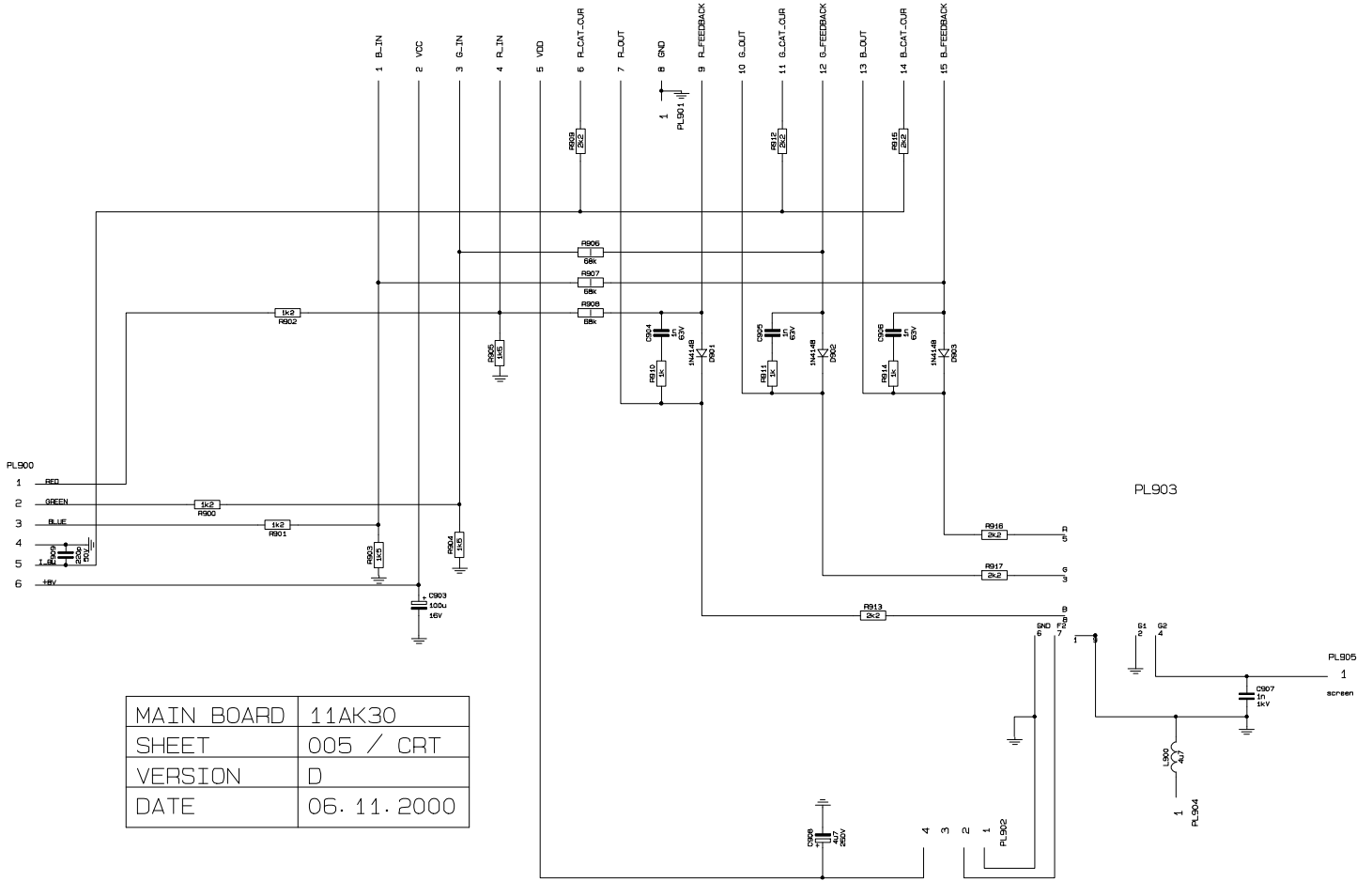


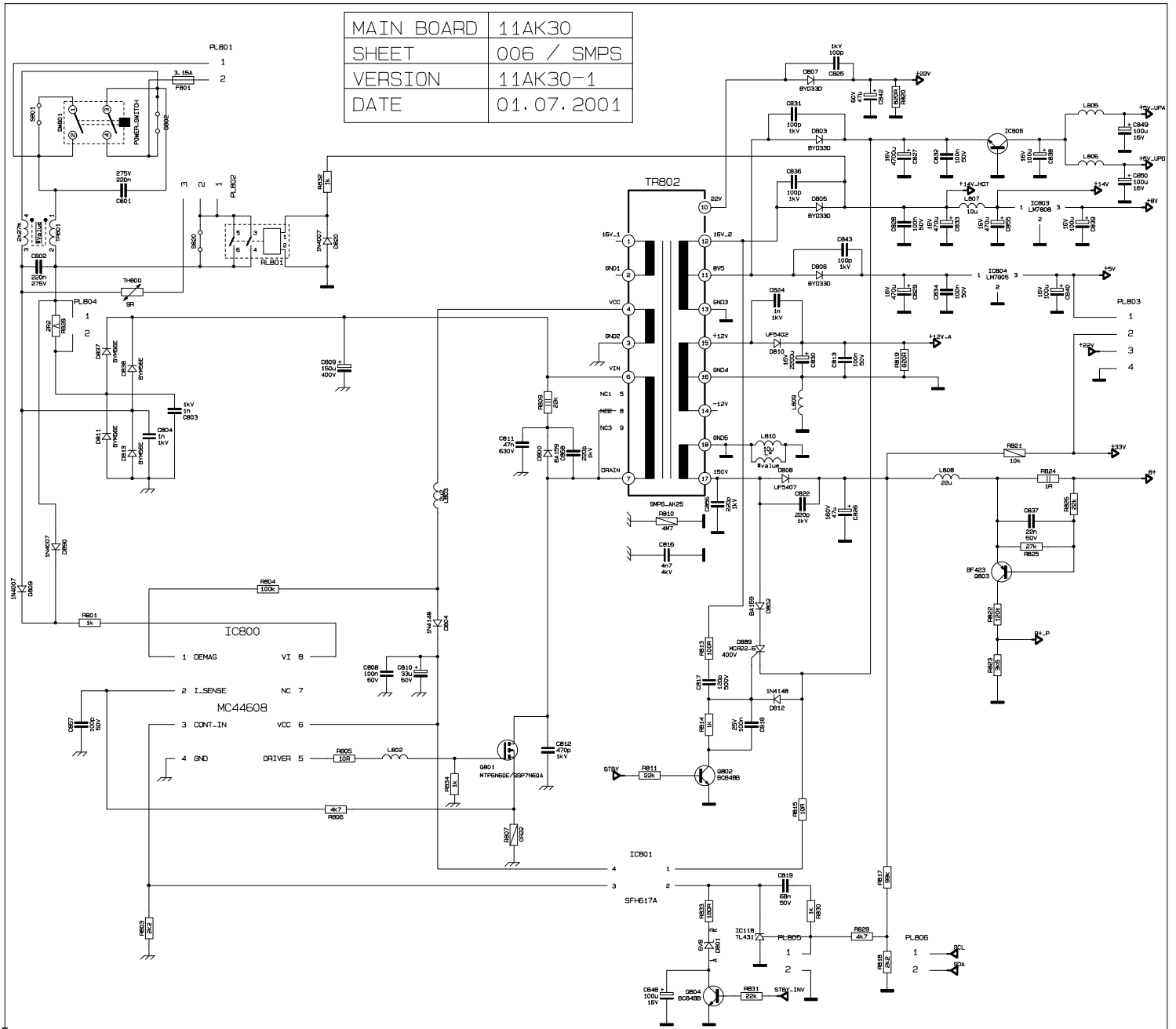
IC901  
STV5112

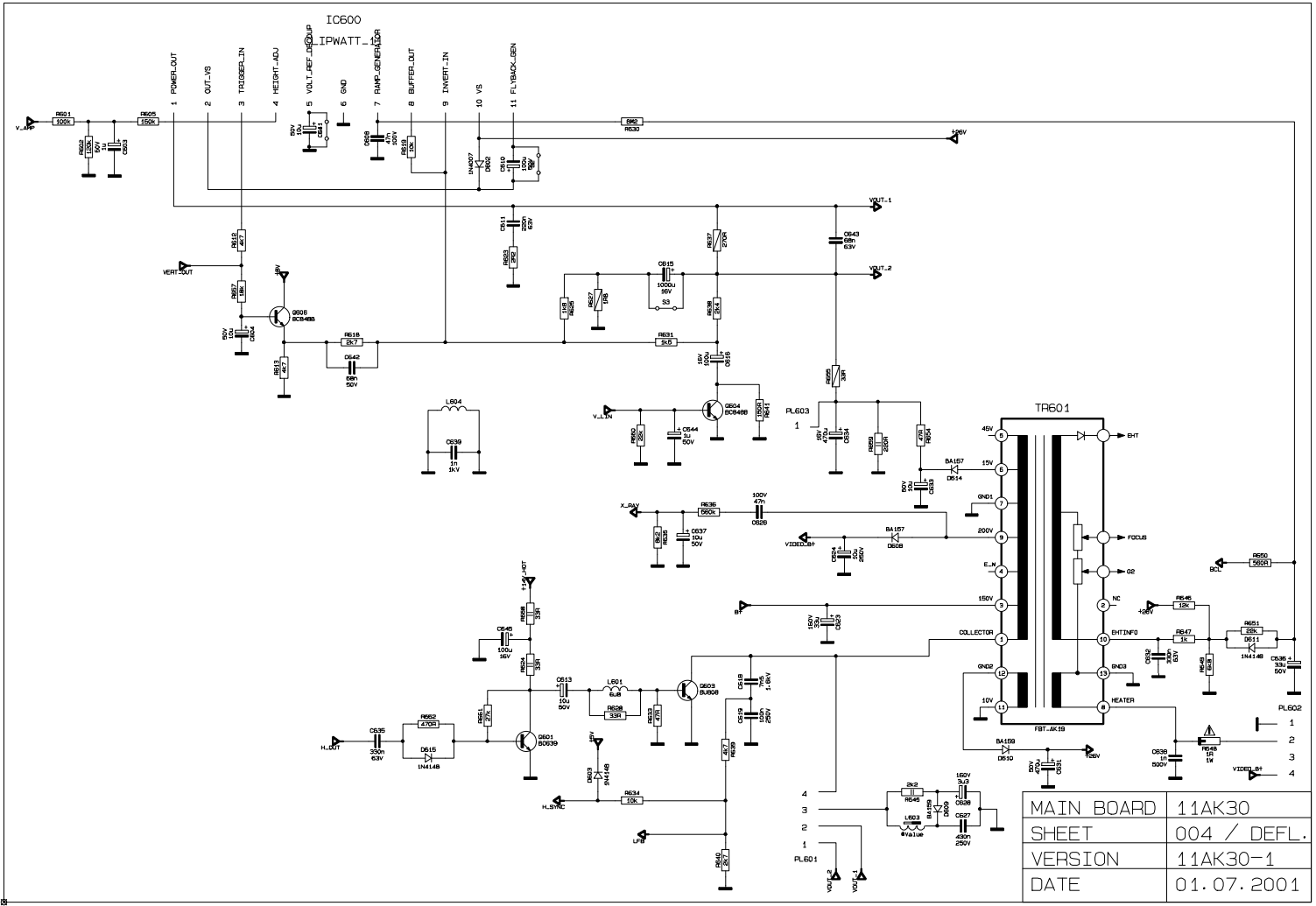


MAIN BOARD	11AK30
SHEET	005 / CRT
VERSION	D
DATE	06. 11. 2000

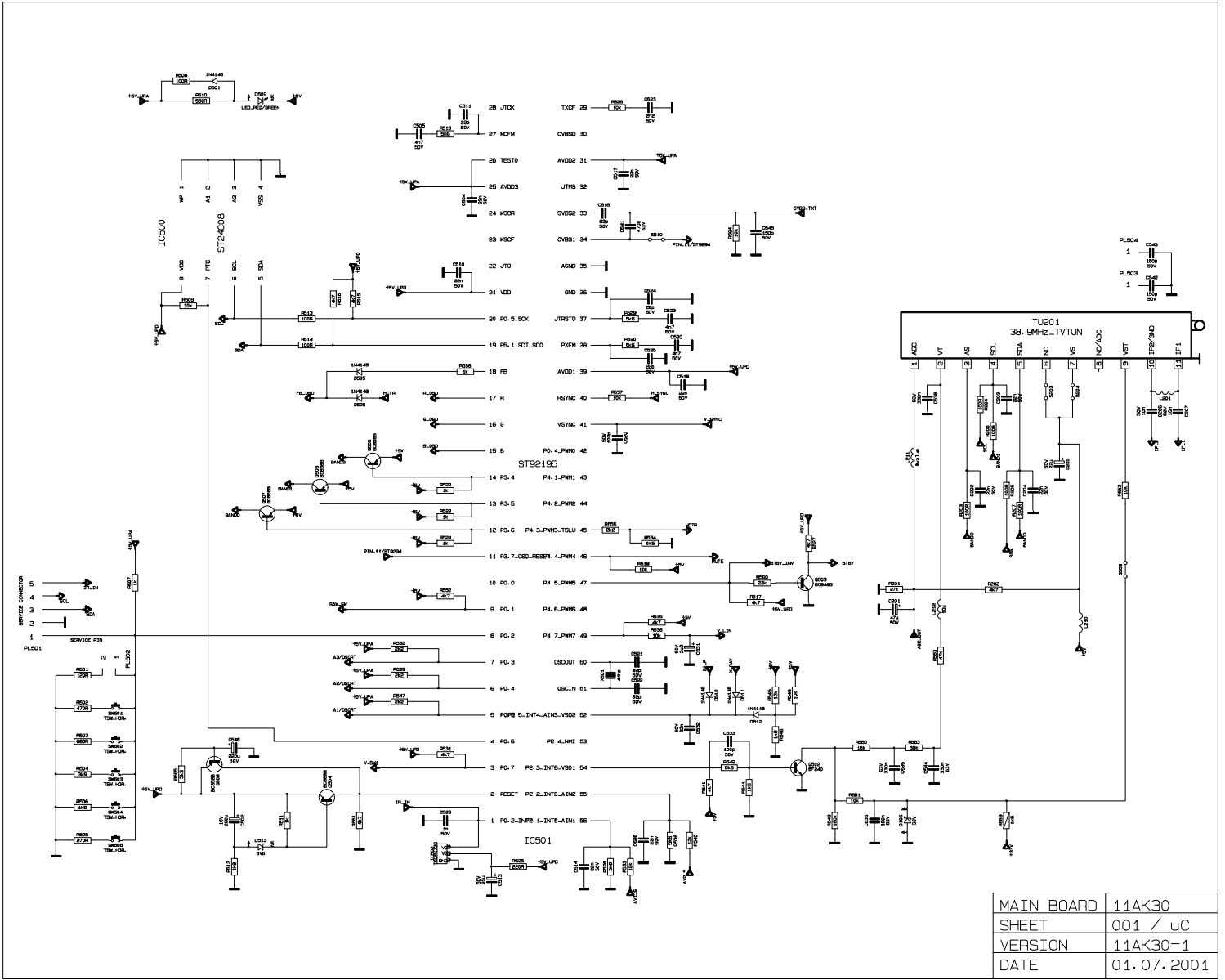


MAIN BOARD	11AK30
SHEET	006 / SMP5
VERSION	11AK30-1
DATE	01.07.2001





MAIN BOARD	11AK30
SHEET	004 / DEFL.
VERSION	11AK30-1
DATE	01.07.2001



MAIN BOARD	11AK30
SHEET	001 / uC
VERSION	11AK30-1
DATE	01.07.2001

