

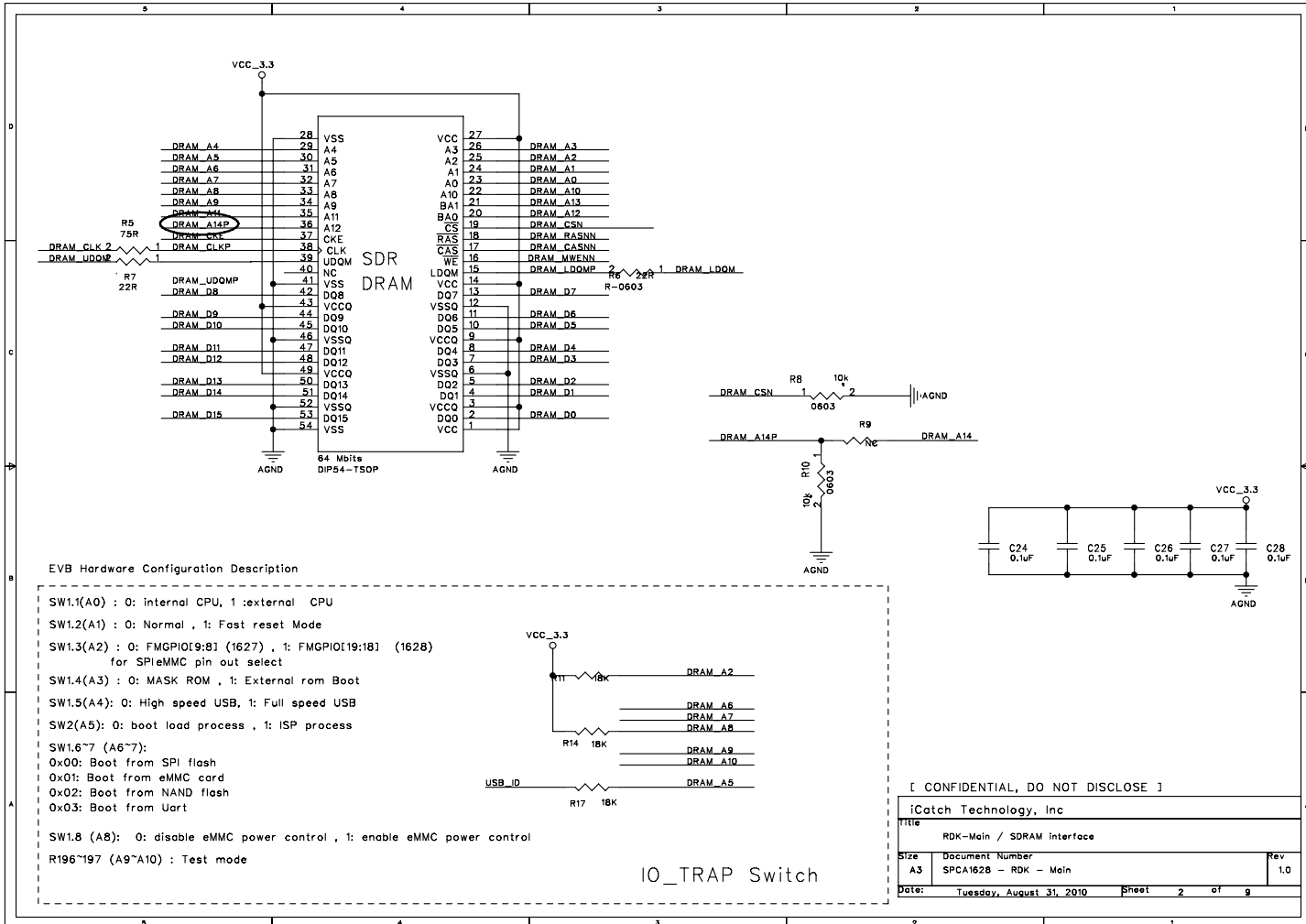
[CONFIDENTIAL, DO NOT DISCLOSE]

ICtech Technology, Inc

Rev: R0K - Main / SPCA1628 - DSP

Doc: SPCA1628 - R0K - Main

Date: Tue8807_Aug04 11:20:09

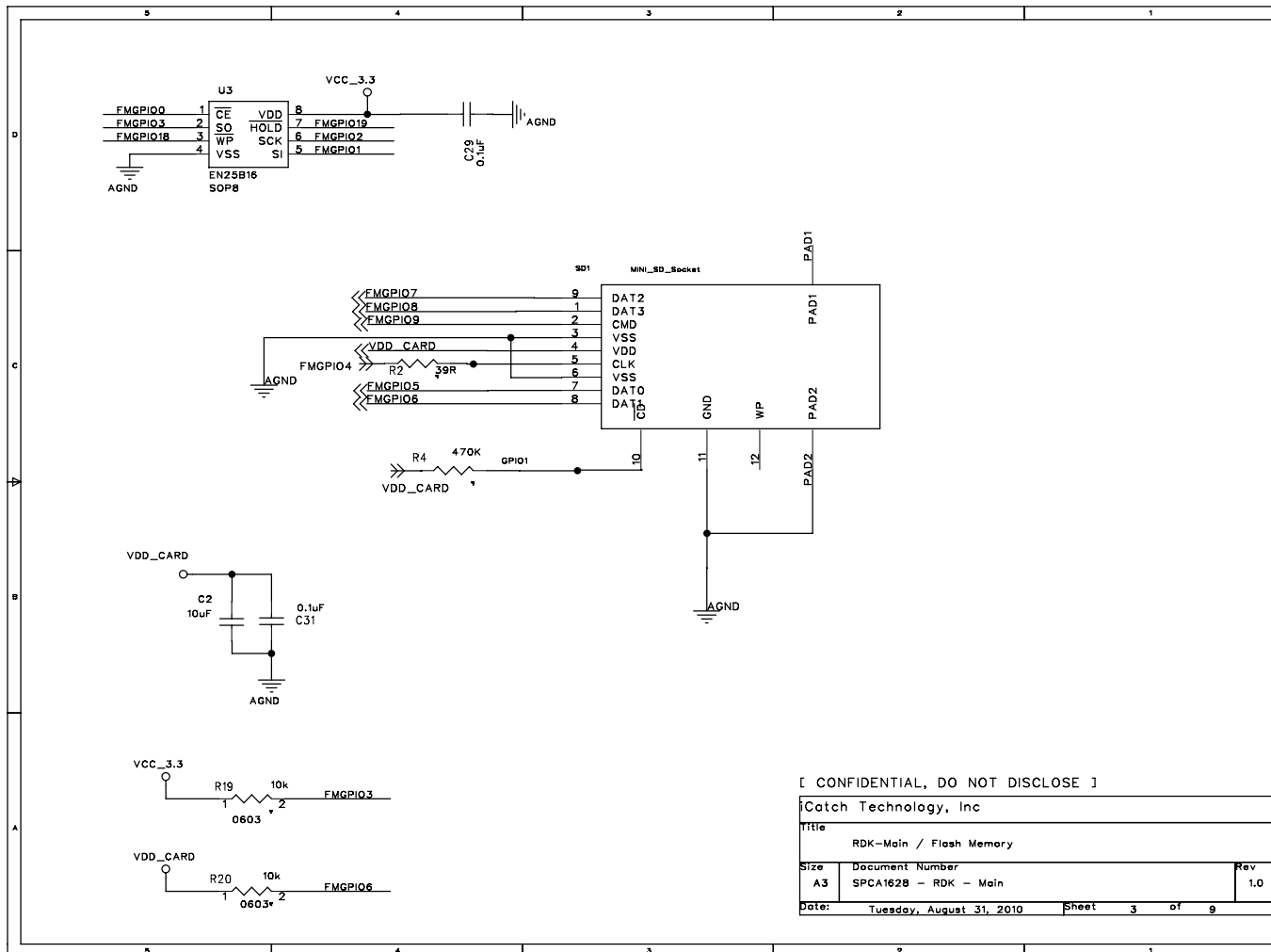


EVB Hardware Configuration Description

- SW1.1(A0) : 0: internal CPU, 1: external CPU
- SW1.2(A1) : 0: Normal , 1: Fast reset Mode
- SW1.3(A2) : 0: FMGPIO[9:8] (1627) , 1: FMGPIO[19:18] (1628) for SPIeMMC pin out select
- SW1.4(A3) : 0: MASK ROM , 1: External rom Boot
- SW1.5(A4): 0: High speed USB, 1: Full speed USB
- SW2(A5): 0: boot load process , 1: ISP process
- SW1.6~7 (A6~7):
 - 0x00: Boot from SPI flash
 - 0x01: Boot from eMMC card
 - 0x02: Boot from NAND flash
 - 0x03: Boot from Uart
- SW1.8 (A8): 0: disable eMMC power control , 1: enable eMMC power control
- R196~197 (A9~A10) : Test mode

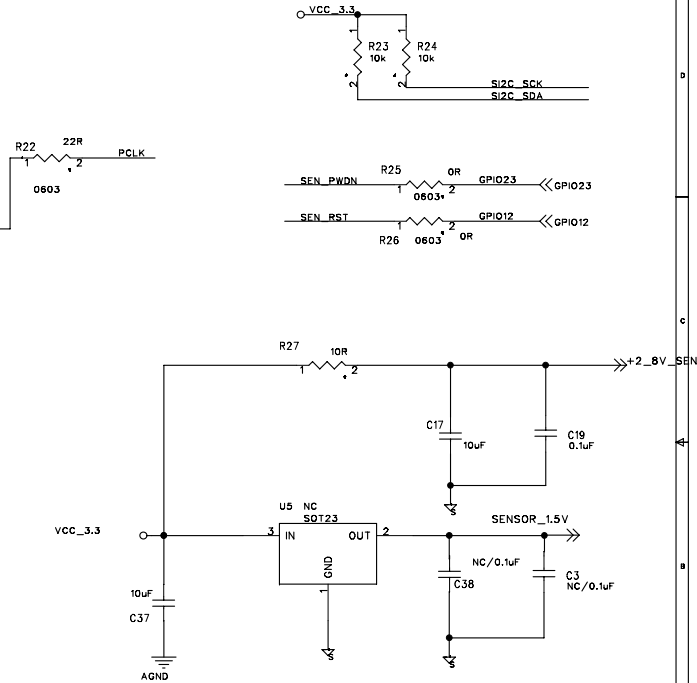
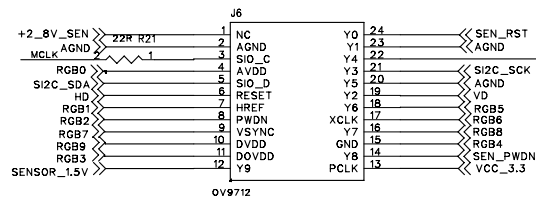
[CONFIDENTIAL, DO NOT DISCLOSE]

iCatch Technology, Inc		
Title RDK-Main / SDRAM interface		
Size A3	Document Number SPCA1628 - RDK - Main	Rev 1.0
Date: Tuesday, August 31, 2010	Sheet 2	of 9



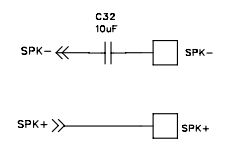
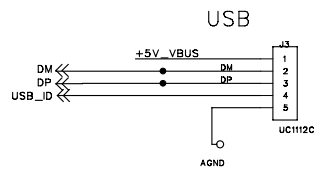
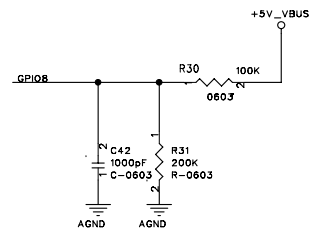
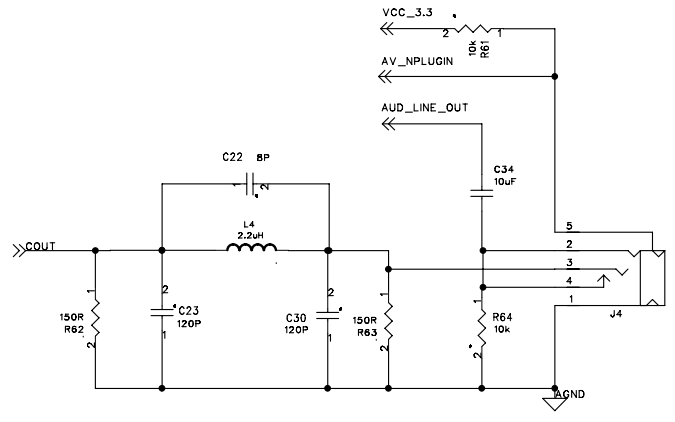
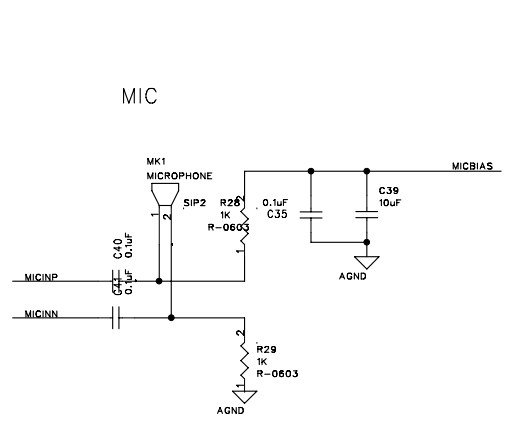
[CONFIDENTIAL, DO NOT DISCLOSE]

Catch Technology, Inc		
Title RDK-Main / Flash Memory		
Size A3	Document Number SPCA162B - RDK - Main	Rev 1.0
Date: Tuesday, August 31, 2010	Sheet 3	of 9



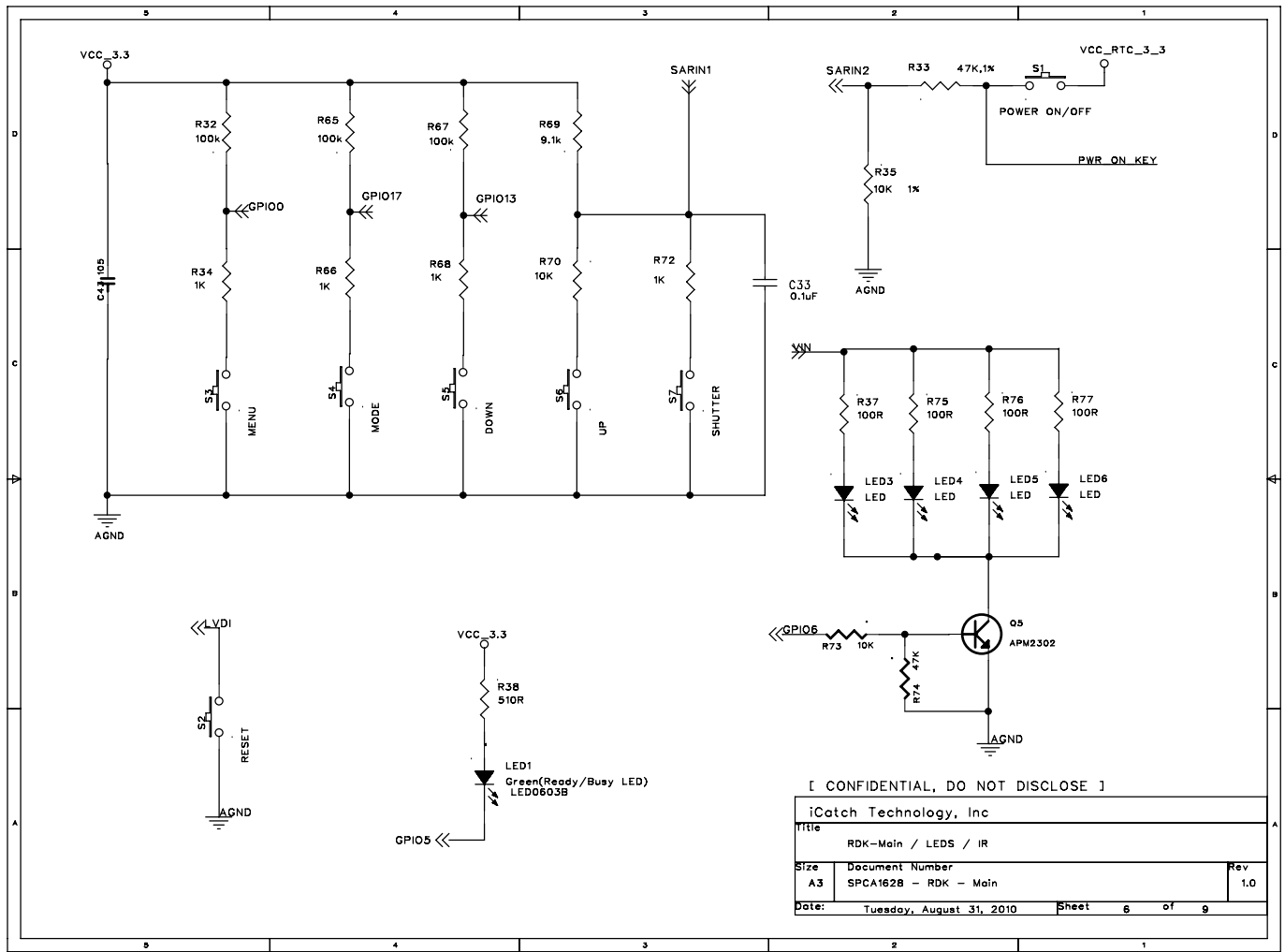
[CONFIDENTIAL, DO NOT DISCLOSE]

iCatch Technology, Inc		
Title RDK-Main / Sensor interface		
Size A3	Document Number SPCA1628 - RDK - Main	Rev 1.0
Date: Tuesday, August 31, 2010	Sheet 4	of 9



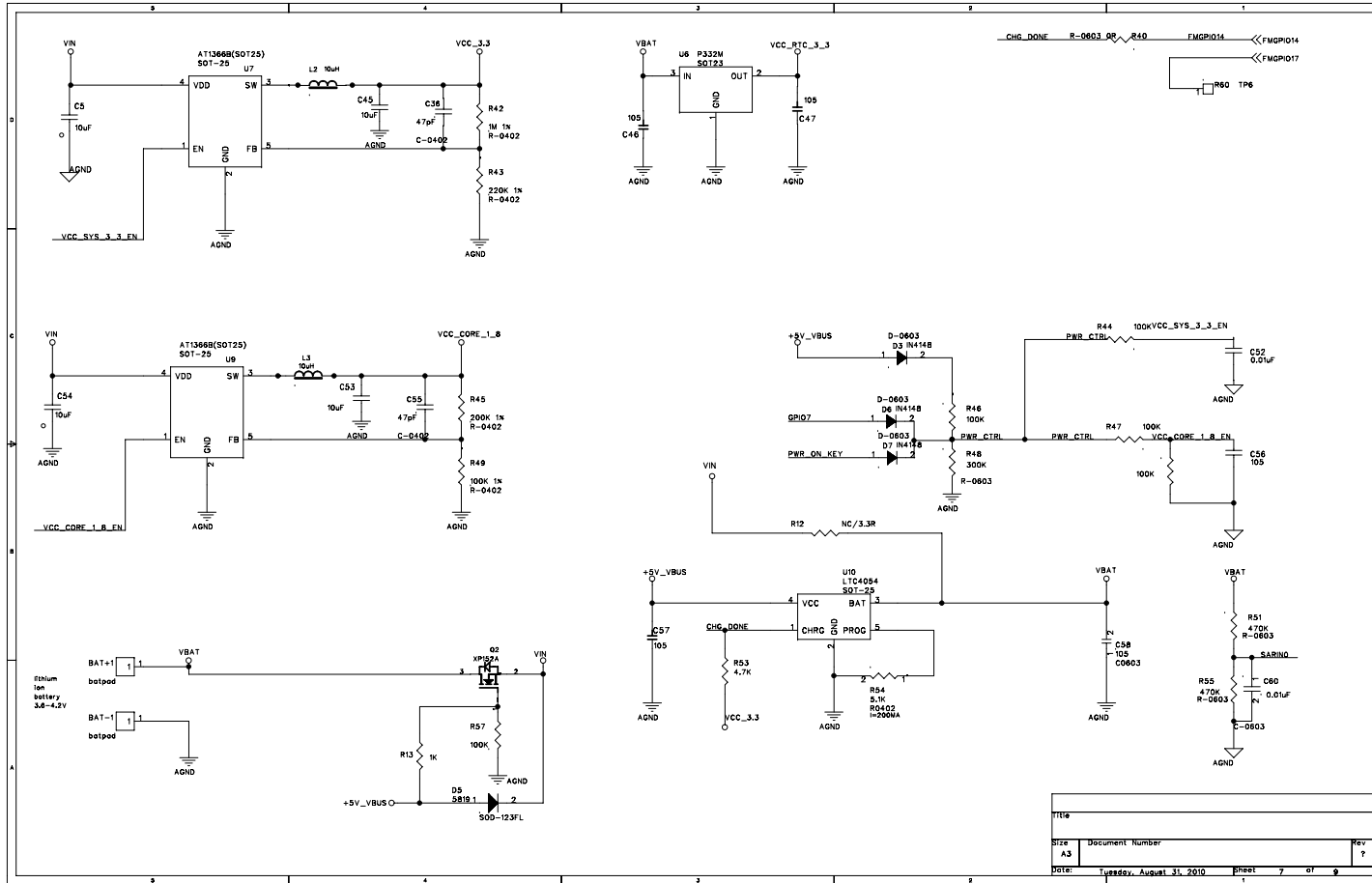
[CONFIDENTIAL, DO NOT DISCLOSE]

iCatch Technology, Inc		
Title RDK - Main / MIC / USB		
Size A3	Document Number SPCA1628 - RDK - Main	Rev 1.0
Date: Tuesday, August 31, 2010	Sheet 5	of 9

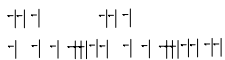
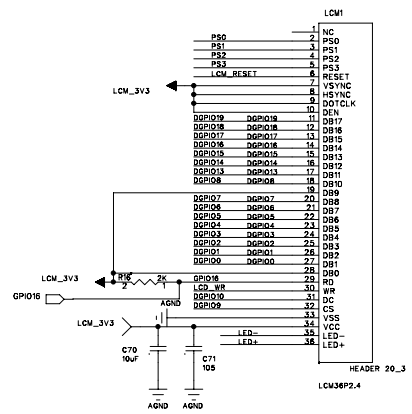
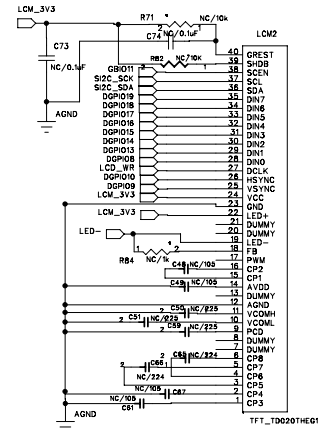
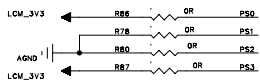
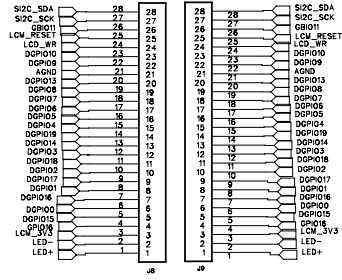
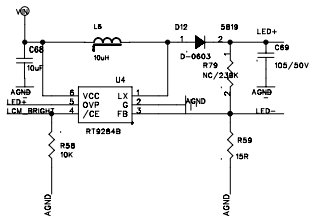
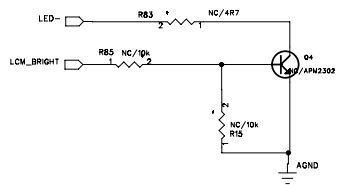
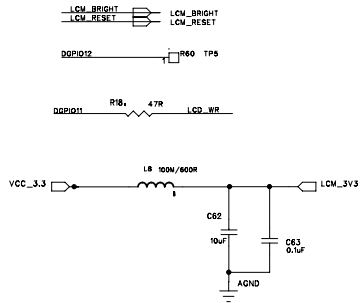


[CONFIDENTIAL, DO NOT DISCLOSE]

iCatch Technology, Inc		
Title		
RDK-Main / LEDES / IR		
Size	Document Number	Rev
A3	SPCA162B - RDK - Main	1.0
Date:	Tuesday, August 31, 2010	Sheet 6 of 9



Title		
Size	Document Number	Rev
A3		?
NOTE: Tuesday, August 31, 2010		Sheet 7 of 9



Title	
Size	Document Number
Date	Sheet of

