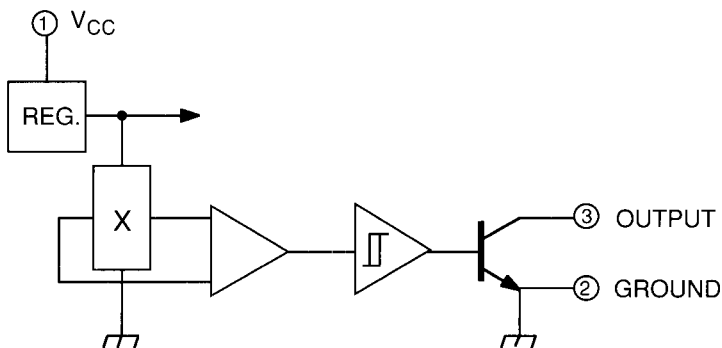


HALL-EFFECT SWITCHES

UGN3113U, UGN3119U, UGN3120U, UGN3130U, UGN3132U, UGN3133U, AND UGN3140U

FEATURES

- High Reliability ... No Moving Parts
- Constant Output Amplitude ... Not Affected by Speed
- Open-Collector Output
- 4.5 to 24 V Operation
- Superior Temperature Stability
- Highly Resistant to Physical Stress
- Small 3-Pin SIP



Dwg. FH-005

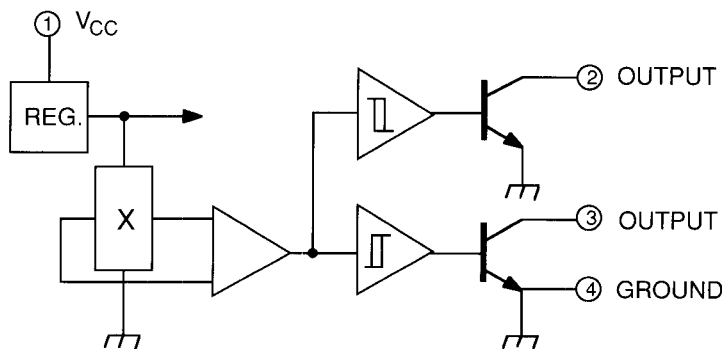
Switch Points (at $T_A = +25^\circ\text{C}$)		Max. Output Ratings	Device Type	Ext. Temp. Available
Operate	Release			
200 G Max.	50 G Min.	25 mA/25 V	UGN3140U	yes
350 G Max.	50 G Min.	25 mA/25 V	UGN3120U	yes
450 G Max.	30 G Min.	25 mA/25 V	UGN3113U	–
500 G Max.	125 G Min.	25 mA/25 V	UGN3119U	yes
+75 G Max.	-75 G Min.	25 mA/25 V	UGN3133U	yes
+95 G Max.	-95 G Min.	25 mA/25 V	UGN3132U	yes
-130 to +150 G	-150 to +130 G	25 mA/25 V	UGN3130U	yes

DUAL-OUTPUT HALL-EFFECT SWITCHES

UGN3235K

FEATURES

- High Reliability ... No Moving Parts
- Constant Output Amplitude
- Dual Open-Collector Outputs
- Superior Temperature Stability
- Highly Resistant to Physical Stress



Dwg. FH-003

Switch Points (at $T_A = +25^\circ\text{C}$)		Max. Output Ratings	Ext. Temp. Available
Max. Operate	Min. Release		
175 G	25 G	2 x 25 mA*/25 V	yes

* Output 1 switches on south pole, output 2 switches on north pole.

Popular Integrated Circuits in Numerical Order