

NO.	Part/No.	DESCRIPTION	QTY	UNIT
73		DVD面板板	1	
72	62-00P1-301-0-05	SCREW PM 3x10 螺帽	1	
71	62-00P1-2601-05	SCREW PM 2.6x4 螺帽 加硬处理	16	
70	KSC101-R20-00	NT 六角螺帽 螺帽	1	
69	KSD4000-P29-00	ORIENTED SLIDE RIGHT	1	
66	SP800-P38-00	WORM 4x4.2, 8	1	PM
65	KSD4000-P24-00	GEAR 3 2/19, 2x6, 3	1	PM
64	KSD4000-P24-00	GEAR 4 8x, 4x2, 5	1	PM
63	KSD4000-007-00	GEAR BRACKET 50x36x24	1	SECC
62	KSD4000-P22-00	GEAR 2 2x0, 5x8, 8	1	PM
61	SP800-002-00	MOTOR FT-050SB	1	
60	KSD4000-014-00	MOTOR HOLD 20x16 2x7	1	SECC
59	KSD4000-034-00	METAL CLIP/TP FT 3, 0x0, 5	1	PM
58	KSD4000-P21-00	GEAR 1 1/11, 3x3, 4	1	PM
57	SP800-P41-00	WORM WHEEL	1	PM
56	KSD2010-002-00	SLIP/2	1	COUPLE
55	KSD4000-019-00	PVC CLIP 2/2x4x0, 4	4	PVC
54	KSC101-R15-00	WASHER	1	
53	KSC101-R19-00	SPRING WASHER	1	
50	KSD4000-P30-00	PROP LP PLATE 13, 6x9, 8x6, 5	1	PM
49	KSD4000-028-00	PROP SLIP/1 21, 6x18	1	不锈钢
48	KSD4000-025-00	PROP SLIP/1 21, 6x23	1	4#H
47	KSD4000-P31-00	LOCK LP 26, 6x14, 5x3	1	PM
46	KSD4000-031-00	CLIP SLIP/1 SPRING 10x7x5	1	不锈钢
45	884000-110, 00, 1020	LED TRANSPARENT LENS 29, 5x22x5, 6	1	PC
44	KSD4000-008-00	DECK HOLD 1 27, 5x12x9	1	SECC
43	KSD4000-009-00	DECK HOLD 2 22, 5x12x9	1	SECC
42	KSD4000-P35-00	TRACK (R) 119, 8x19, 7x13, 6	1	PM
41		DC FAN(GV 0.2A)	1	
40	KSD4000-005-00	REAR PANEL 177x49x15	1	SECC
39	62-00P1-3009-05	SCREW PT 4x3.9 螺帽	3	
38	KSD4000-033-00	HEAT SINK 178, 2x49, 5x10, 5	1	AL
37	62-00BM-0015-05	SCREW BM 4x18 螺帽	2	
36	KSC101-R09-00	MACHINE BOX 186, 3x56, 8x70	1	SECC
35	KSD4000-011-00	DECK HOLD 4 32x31, 5x16	1	SECC
34	62-00P1-2606-05	SCREW 2, 6x8 PT 螺帽	2	
33	62-00BM-0008-05	SCREW BM 4x38 螺帽	5	
32	KSD4000-010-00	DECK HOLD 3 32x31, 5x14	1	SECC
31	62-00BM-3004-05	SCREW BM 3x4 PM 螺帽	5	
30	KSD4000-P38-00	LINE CLIP DOWN 15x22, 6x10, 7	1	PM
29	KSD4000-P37-00	LINE CLIP UP 15x22, 6x7	1	PM
28	62-00CT-1704-05	SCREW CT1, 7x4 螺帽	2	
27	62-1PM1-1705-08	SCREW PM/1, 7x5, 5x6.5, 5 螺帽	4	
26	KSD4000-013-00	CLIP SEPT/PLATE 27x19x1, 2	2	SECC
25	KSD4000-P28-00	ORIENTED SLIDE LEFT	1	PM
24	KSD4000-P22-00	POSIT SLIDE (L) 27, 2x5, 8x6, 9	1	PM
23	KSC-101-R21-00	NT 六角螺帽 螺帽	3	
22	KSD4000-002-00	TOP COVER 178, 2x160, 8x6, 6	1	SECC
21		DVD 机芯	1	
20		MAIN PCB (L, 60mm THICK)	1	纤维板
19	KSD4000-017-00	MAIN PCB-INSLAT PIERCE	1	快巴纸
18	KSD4000-P36-00	TOP/CH-LINE 78, 8x4, 2x2	2	PM
17	62-10C1-1705-08	SCREW CM 1, 7x5, 5 螺帽	2	
16	KSD4000-012-00	CONNECT PLATE 57x20, 5x1, 2	2	SECC
15	62-00C1-1704-08	SCREW CM 1, 7x4 螺帽 加硬处理	6	
14	KSD4000-006-00	GEAR SLIDE BRACKET 172x137, 5x8, 7	1	SECC
13	KSD4000-041-00	METAL GEAR AND LONG SHFT ASSEMBLY	1	SECC
12	62-00NM-1725-05	SCREW NM, 7x2, 5 螺帽	12	
11	KSD4000-P34-00	TRACK (L) 85, 3x21, 2x13, 6	1	PM
10	KSD4000-001-00	BOTTOM CABINET 178, 2x189x50	1	SECC
7	KSC101-R25-00	PREVENT DIRT PIERCE 129x11	1	PVC
6	KSD4000-043-00	PREVENT DIRT CLOTH 129x11	1	无纺布
5	684000-040, 00, 1020	BASE 183, 8x33x16, 8	1	ABS
4	62-00NM-2605-08	SCREW NM 6x5 NM 螺帽	4	
3	KSD4000-P27-00	ARRANGE LINE HOLD 40, 3x22, 3x8, 4	1	PM
2	KSD4000-004-00	SLIDE FRONT PANEL 159, 5x42, 1x10, 5	1	SECC
1	884000-030, 00, 1020	OUTLINE BORDER 187, 2x59, 8x18	1	ABS


奇迪电子科技(深圳)有限公司
 KE DI ELECTRONIC TECHNOLOGY CO.,LTD.
 深圳市宝安区沙井街道沙井社区沙井大道300号
 510500
 0755-27011000
 0755-27011001
 0755-27011002
 0755-27011003
 0755-27011004
 0755-27011005
 0755-27011006
 0755-27011007
 0755-27011008
 0755-27011009
 0755-27011010
 0755-27011011
 0755-27011012
 0755-27011013
 0755-27011014
 0755-27011015
 0755-27011016
 0755-27011017
 0755-27011018
 0755-27011019
 0755-27011020
 0755-27011021
 0755-27011022
 0755-27011023
 0755-27011024
 0755-27011025
 0755-27011026
 0755-27011027
 0755-27011028
 0755-27011029
 0755-27011030
 0755-27011031
 0755-27011032
 0755-27011033
 0755-27011034
 0755-27011035
 0755-27011036
 0755-27011037
 0755-27011038
 0755-27011039
 0755-27011040
 0755-27011041
 0755-27011042
 0755-27011043
 0755-27011044
 0755-27011045
 0755-27011046
 0755-27011047
 0755-27011048
 0755-27011049
 0755-27011050
 0755-27011051
 0755-27011052
 0755-27011053
 0755-27011054
 0755-27011055
 0755-27011056
 0755-27011057
 0755-27011058
 0755-27011059
 0755-27011060
 0755-27011061
 0755-27011062
 0755-27011063
 0755-27011064
 0755-27011065
 0755-27011066
 0755-27011067
 0755-27011068
 0755-27011069
 0755-27011070
 0755-27011071
 0755-27011072
 0755-27011073
 0755-27011074
 0755-27011075
 0755-27011076
 0755-27011077
 0755-27011078
 0755-27011079
 0755-27011080
 0755-27011081
 0755-27011082
 0755-27011083
 0755-27011084
 0755-27011085
 0755-27011086
 0755-27011087
 0755-27011088
 0755-27011089
 0755-27011090
 0755-27011091
 0755-27011092
 0755-27011093
 0755-27011094
 0755-27011095
 0755-27011096
 0755-27011097
 0755-27011098
 0755-27011099
 0755-27011100

6

5

4

3

2

1

D

D

C

C

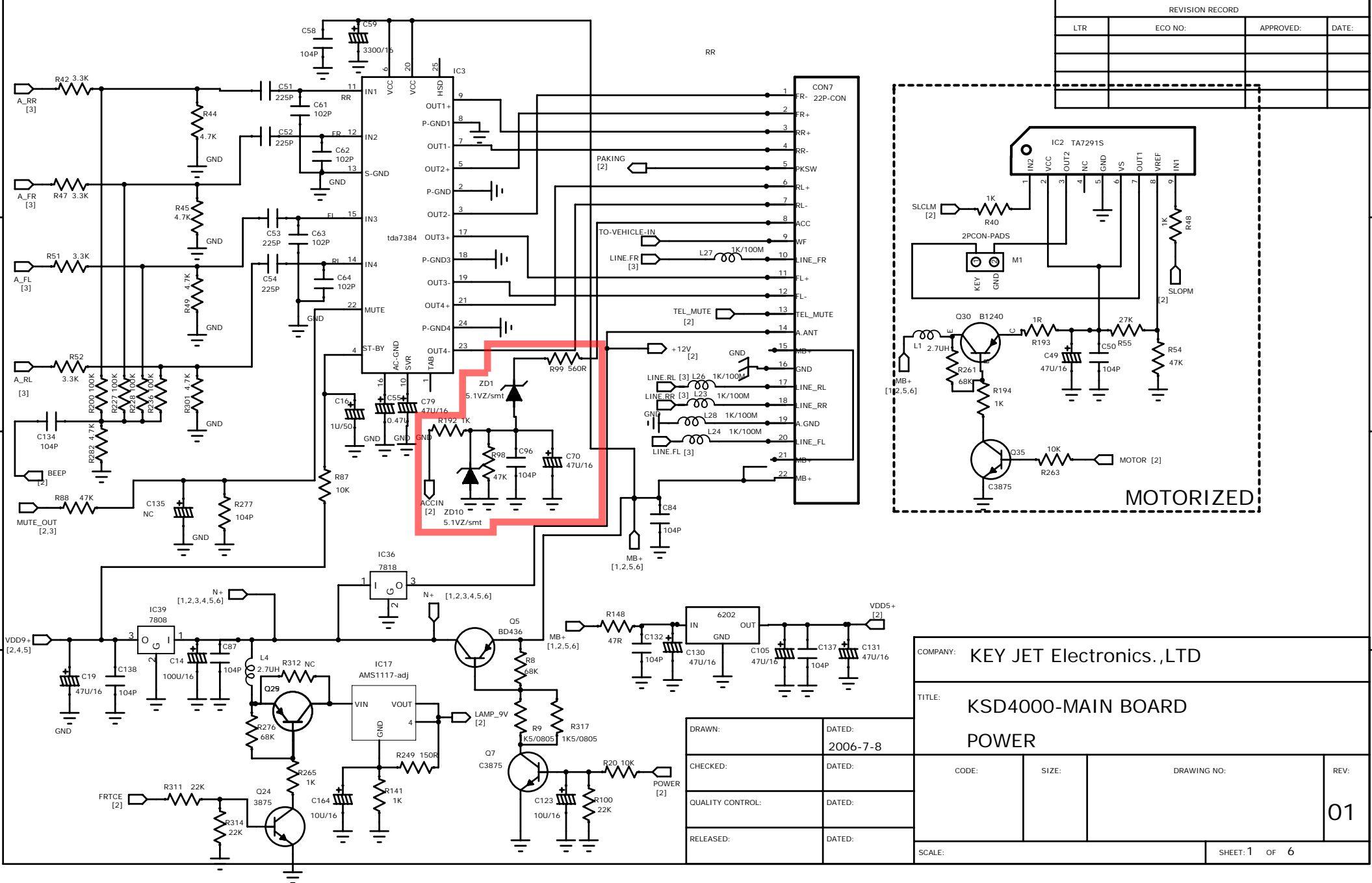
B

B

A

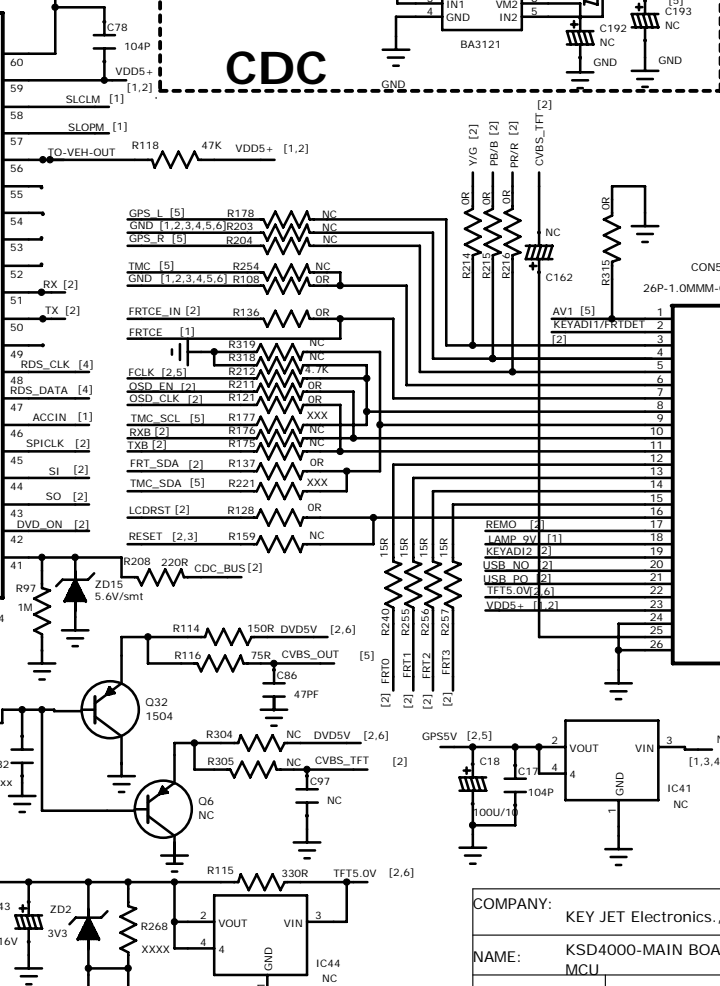
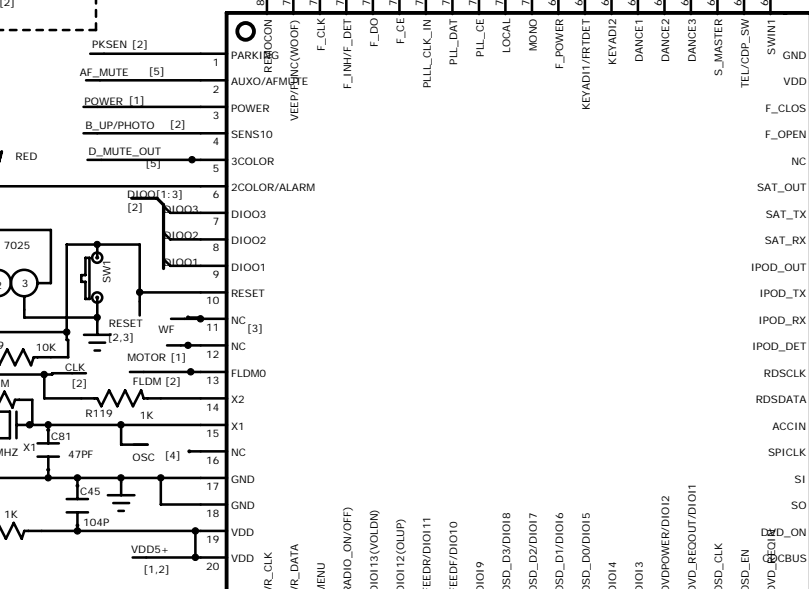
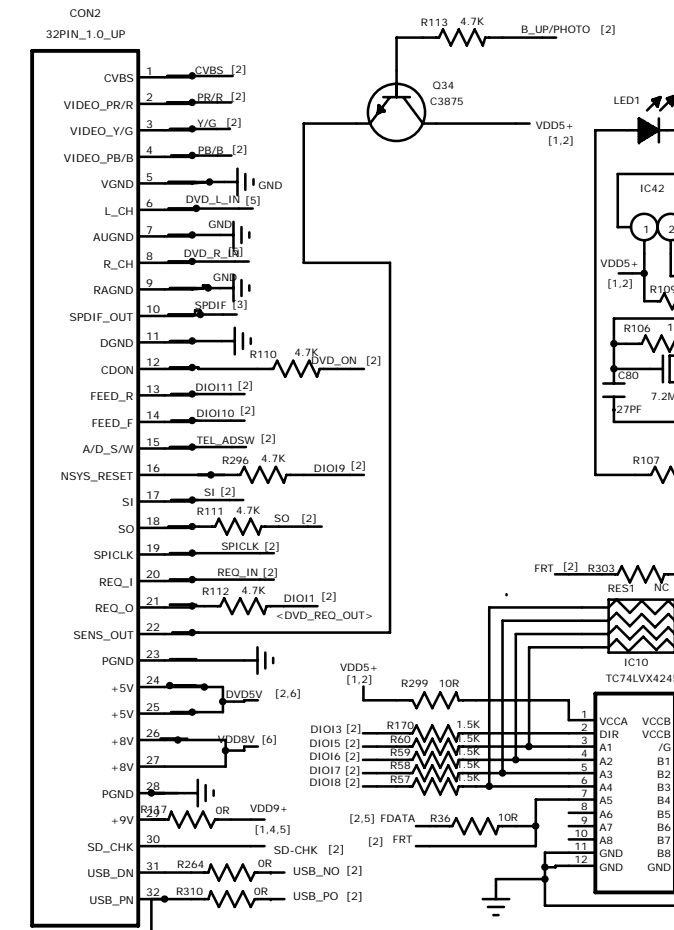
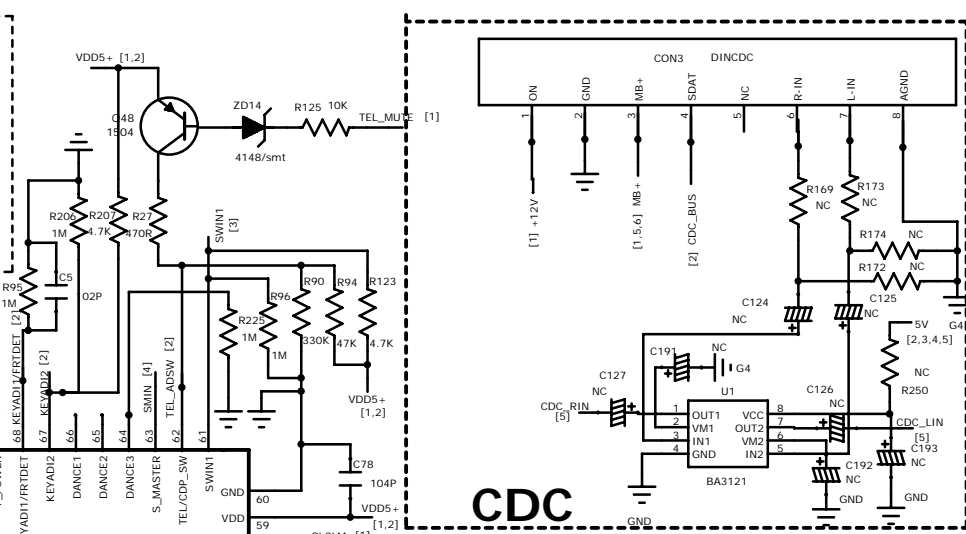
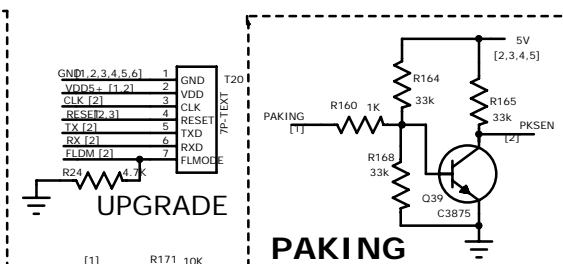
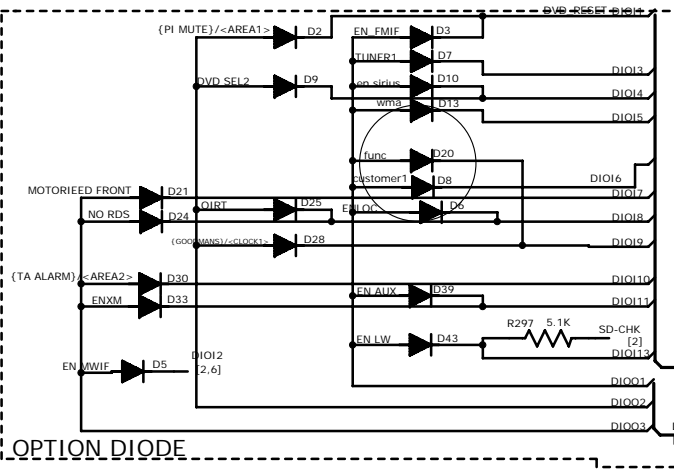
A

REVISION RECORD			
LTR	ECO NO:	APPROVED:	DATE:



COMPANY: KEY JET Electronics.,LTD			
TITLE: KSD4000-MAIN BOARD			
POWER			
CODE:	SIZE:	DRAWING NO:	REV:
			01
SCALE:			SHEET: 1 OF 6

DRAWN:	DATED: 2006-7-8
CHECKED:	DATED:
QUALITY CONTROL:	DATED:
RELEASED:	DATED:



COMPANY:	KEY JET Electronics.,LTD
NAME:	KSD4000-MAIN BOARD
DATE:	060708
SHEET:	2 of 6

6

5

4

3

2

1

D

C

B

A

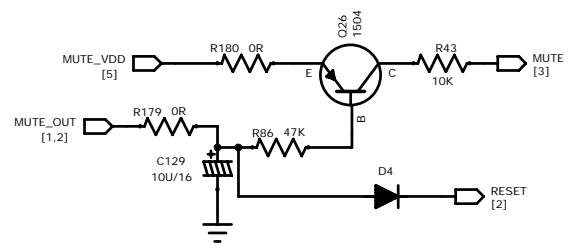
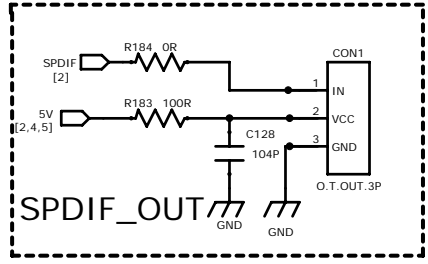
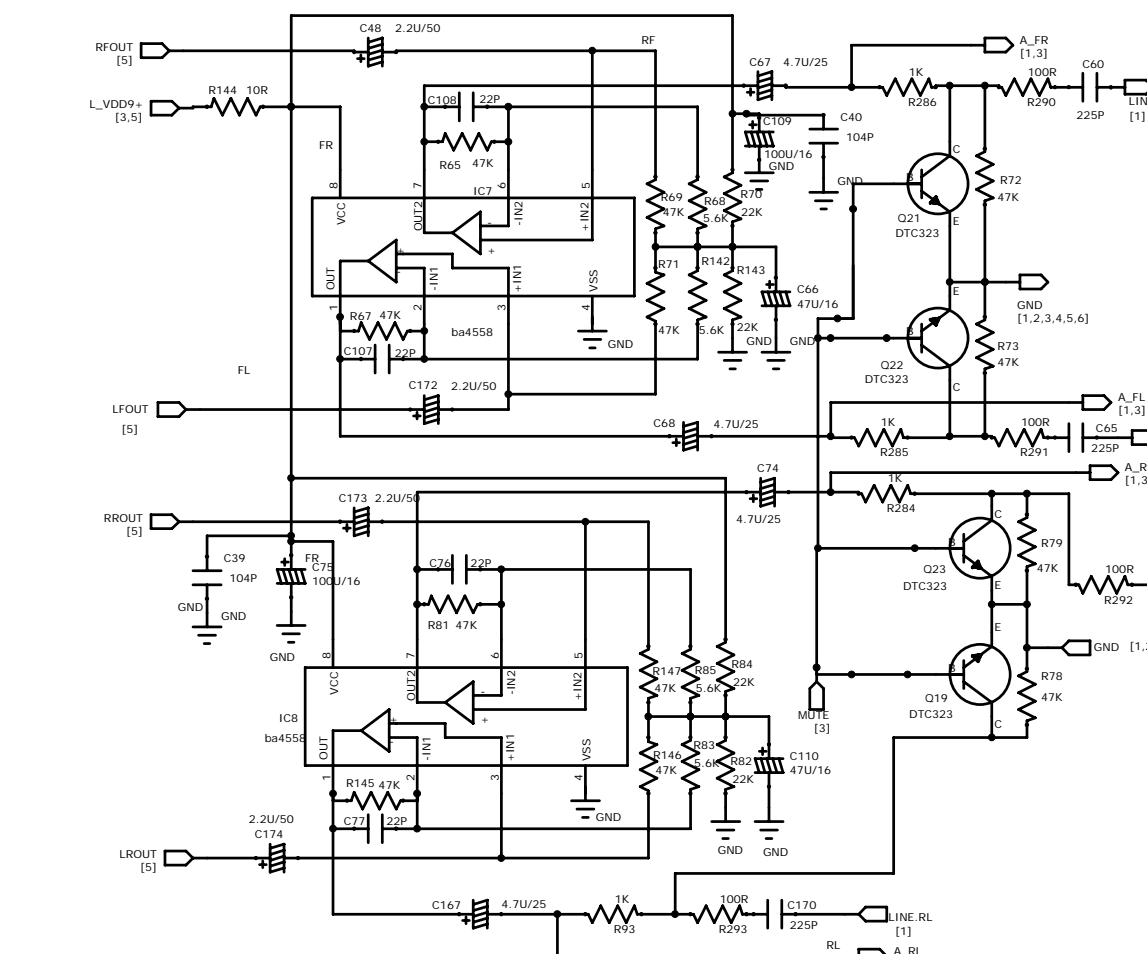
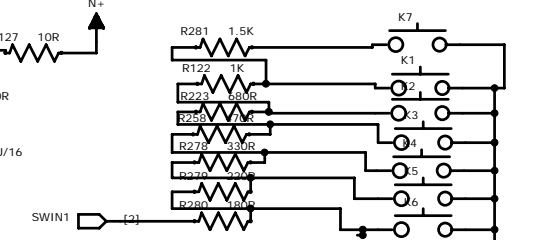
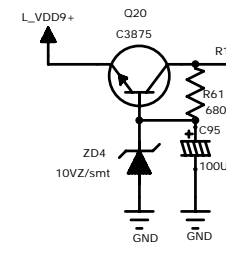
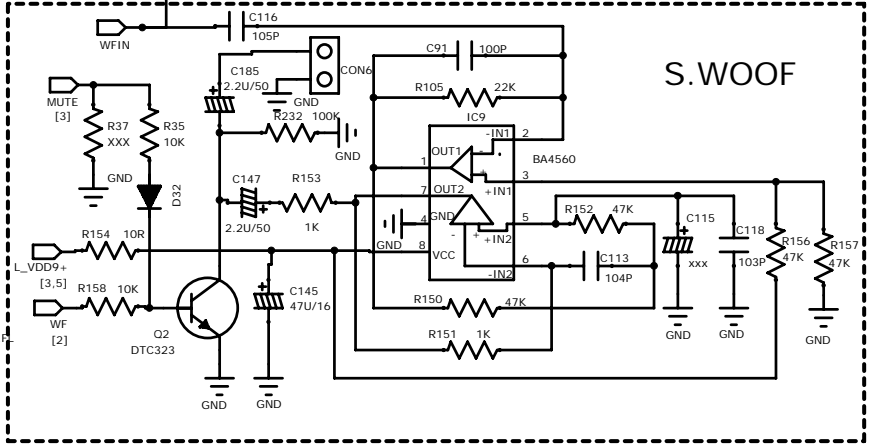
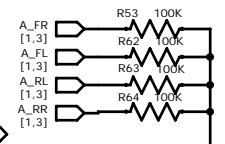
D

C

B

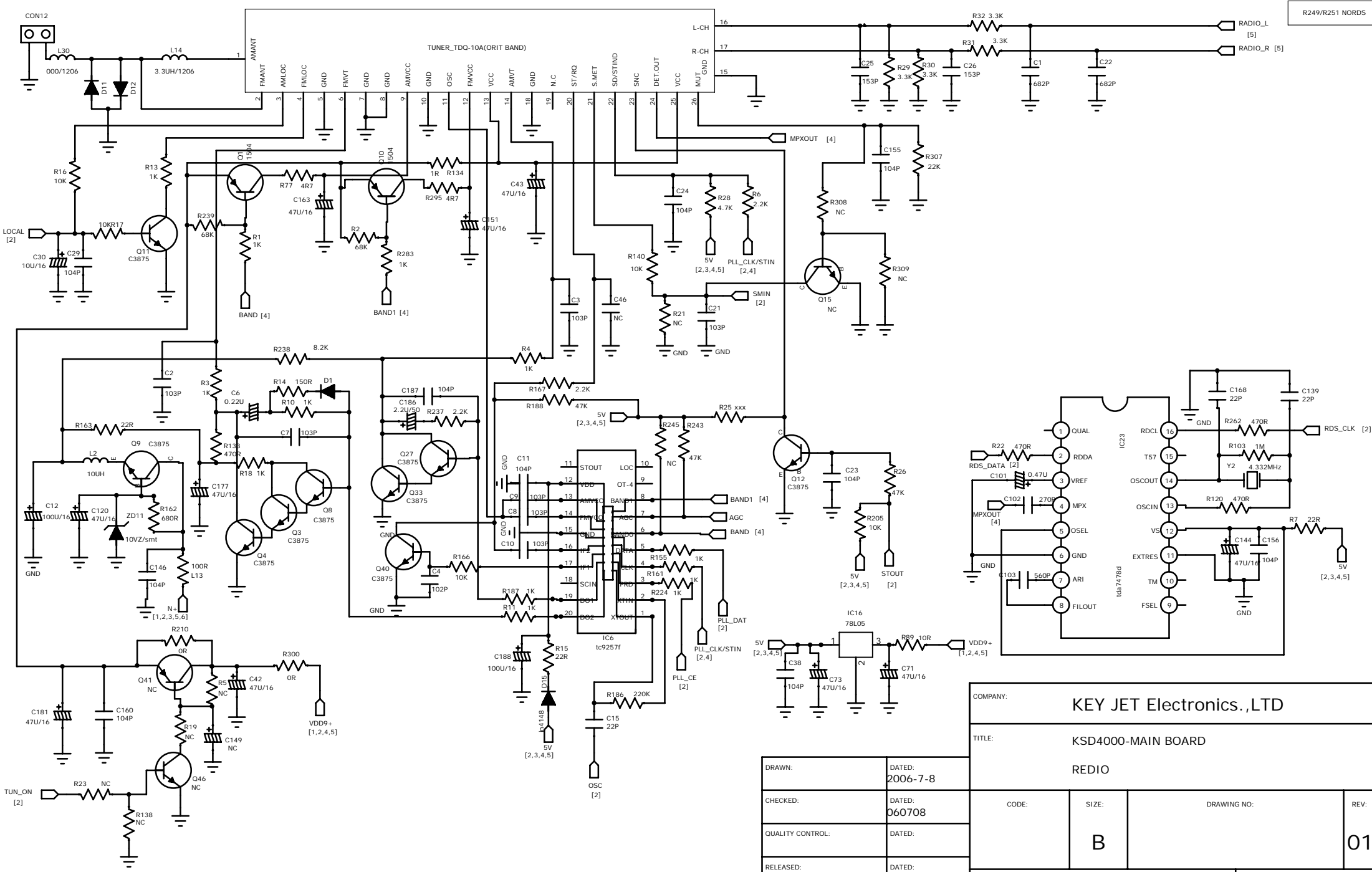
A

REVISION RECORD			
LTR	ECO NO:	APPROVED:	DATE:



COMPANY: KEY JET Electronics.,LTD			
TITLE: KSD4000-MAIN BOARD LINE OUT/SUB WOOFER			
CODE:	SIZE:	DRAWING NO:	REV:
	B		01
SCALE:			SHEET: 3 OF 6

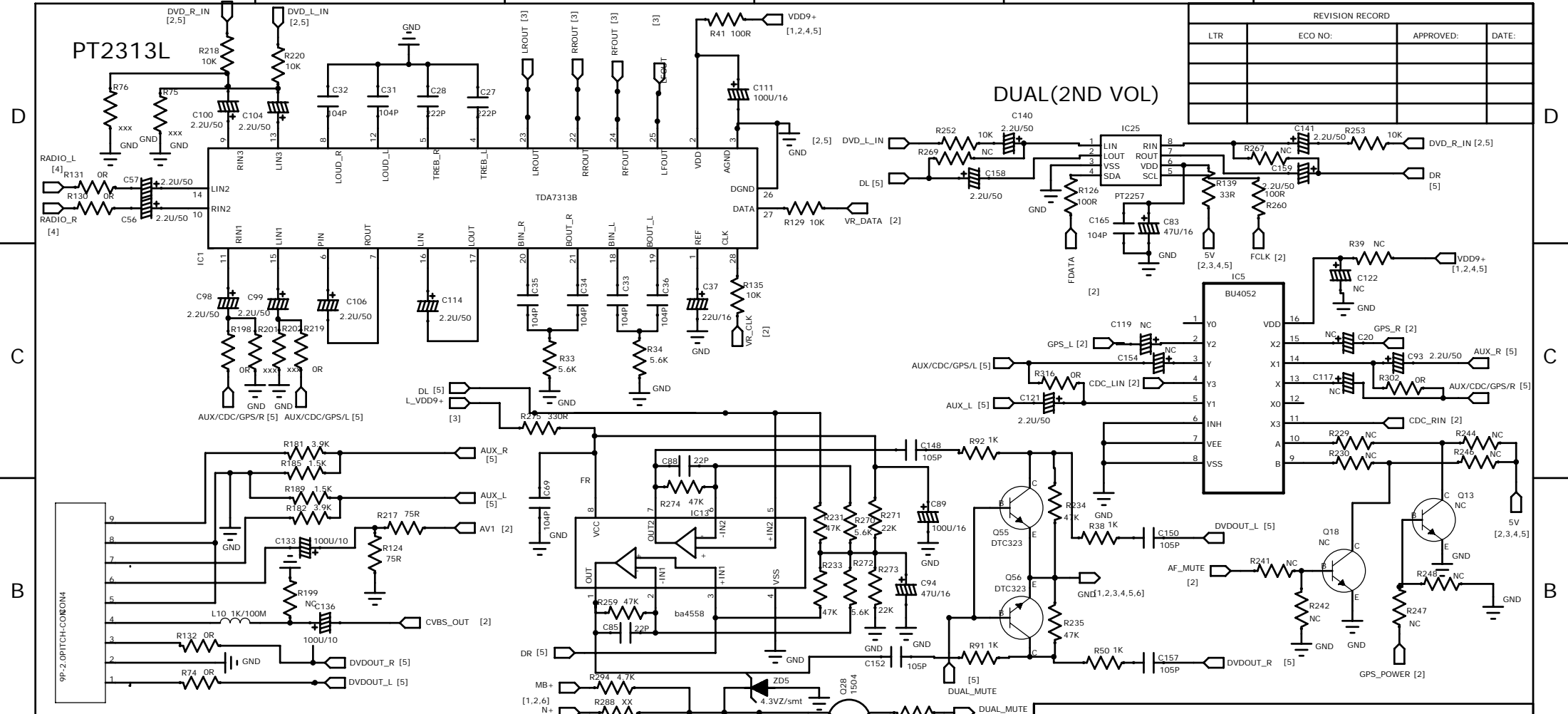
DRAWN:	DATED:
CHECKED:	DATED:
QUALITY CONTROL:	DATED:
RELEASED:	DATED:



COMPANY:		KEY JET Electronics.,LTD			
TITLE:		KSD4000-MAIN BOARD			
		REDIO			
DRAWN:	DATED:	CODE:	SIZE:	DRAWING NO:	REV:
CHECKED:	2006-7-8				01
QUALITY CONTROL:	DATED:				
RELEASED:	DATED:				
SCALE:					SHEET: 4 OF 6



REVISION RECORD			
LTR	ECO NO:	APPROVED:	DATE:



COMPANY:		KEY JET Electronics.,LTD	
TITLE:		KSD4000-MAIN BOARD	
		AUDIO SWITCH/DVD OUT/AV IN	
DRAWN:	DATED:	CODE:	REV:
CHECKED:	DATED:	SIZE:	DRAWING NO:
QUALITY CONTROL:	DATED:	B	
RELEASED:	DATED:	01	
SCALE:		SHEET: 5 of 6	

6

5

4

3

2

1

D

C

B

A

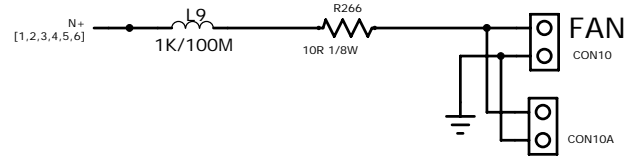
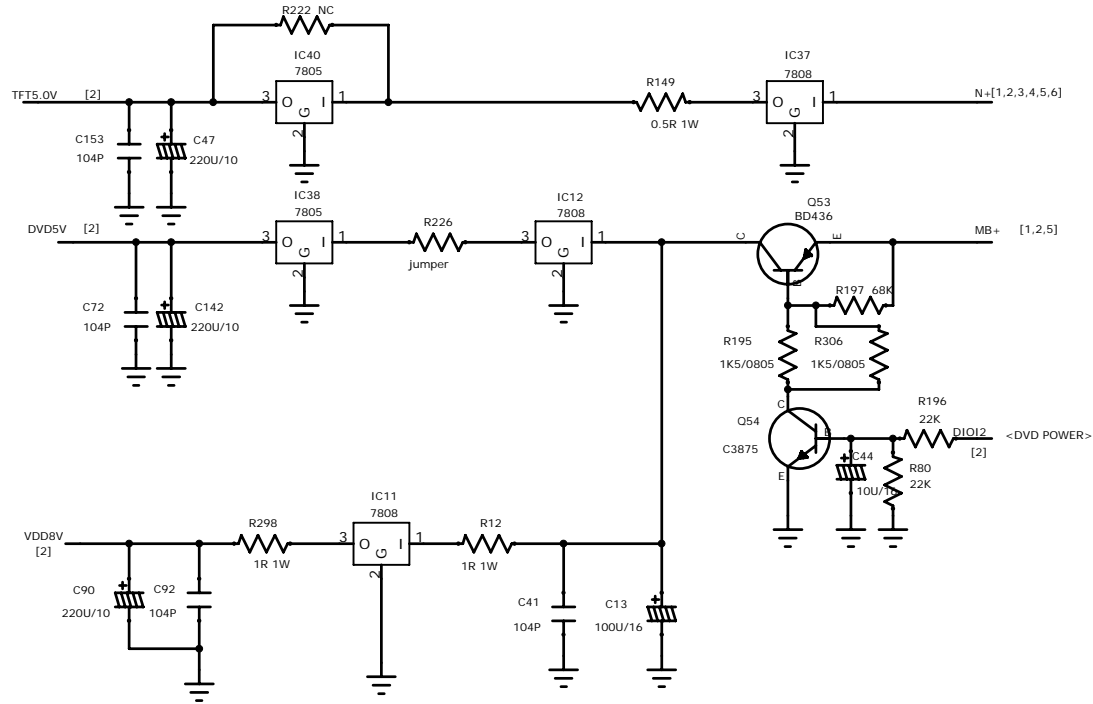
D

C

B

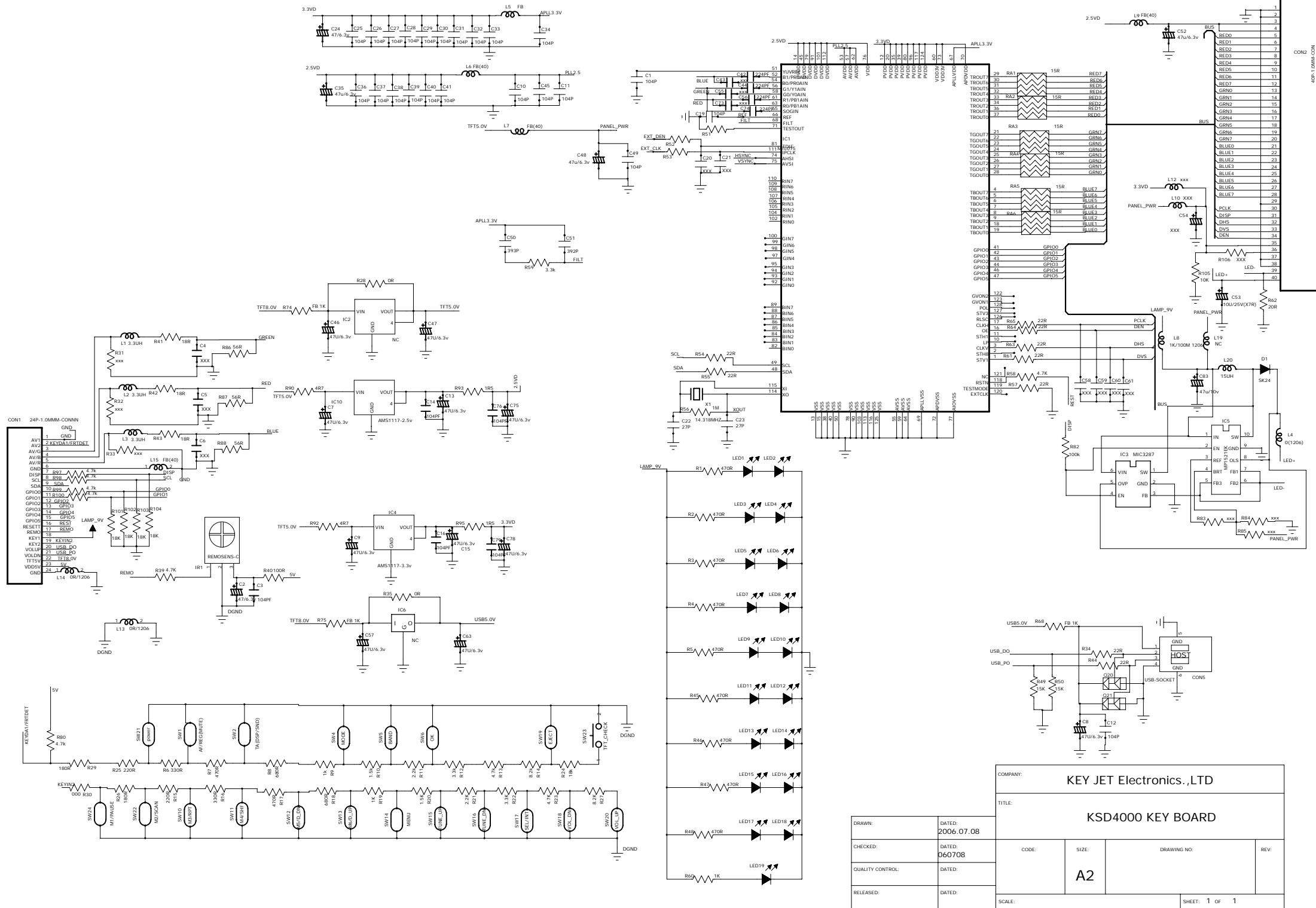
A

REVISION RECORD			
LTR	ECO NO:	APPROVED:	DATE:



COMPANY: KEY JET Electronics.,LTD			
TITLE: KSD4000-MAIN BOARD DVD POWER			
CODE:	SIZE: B	DRAWING NO:	REV: 01
SCALE: <Scale>			SHEET: 6 OF 6

DRAWN:	DATED: 2006-7-8
CHECKED:	DATED: 060708
QUALITY CONTROL:	DATED:
RELEASED:	DATED:



COMPANY:		KEY JET Electronics .LTD		
TITLE:		KSD4000 KEY BOARD		
DRAWN:	2006.07.08	CODE:	SIZE:	DRAWING NO:
CHECKED:	060708	RELEASED:		REV:
QUALITY CONTROL:				
SCALE:				SHEET: 1 of 1

REVISION RECORD			
LTR	ECO NO:	APPROVED:	DATE:

D

D

C

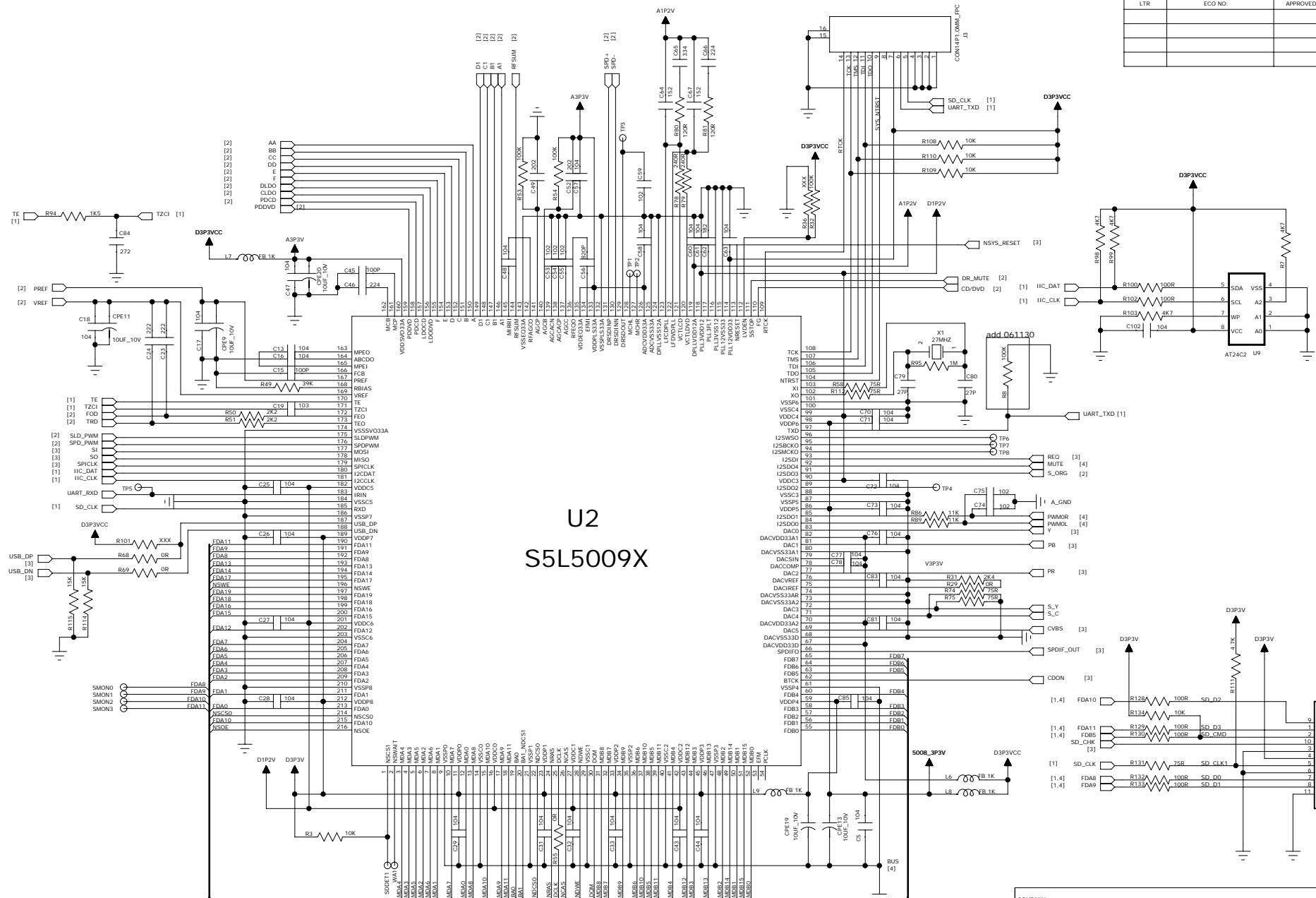
C

B

B

A

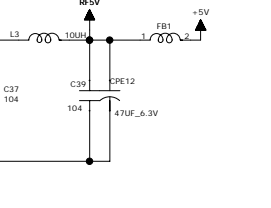
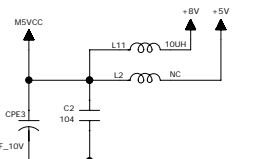
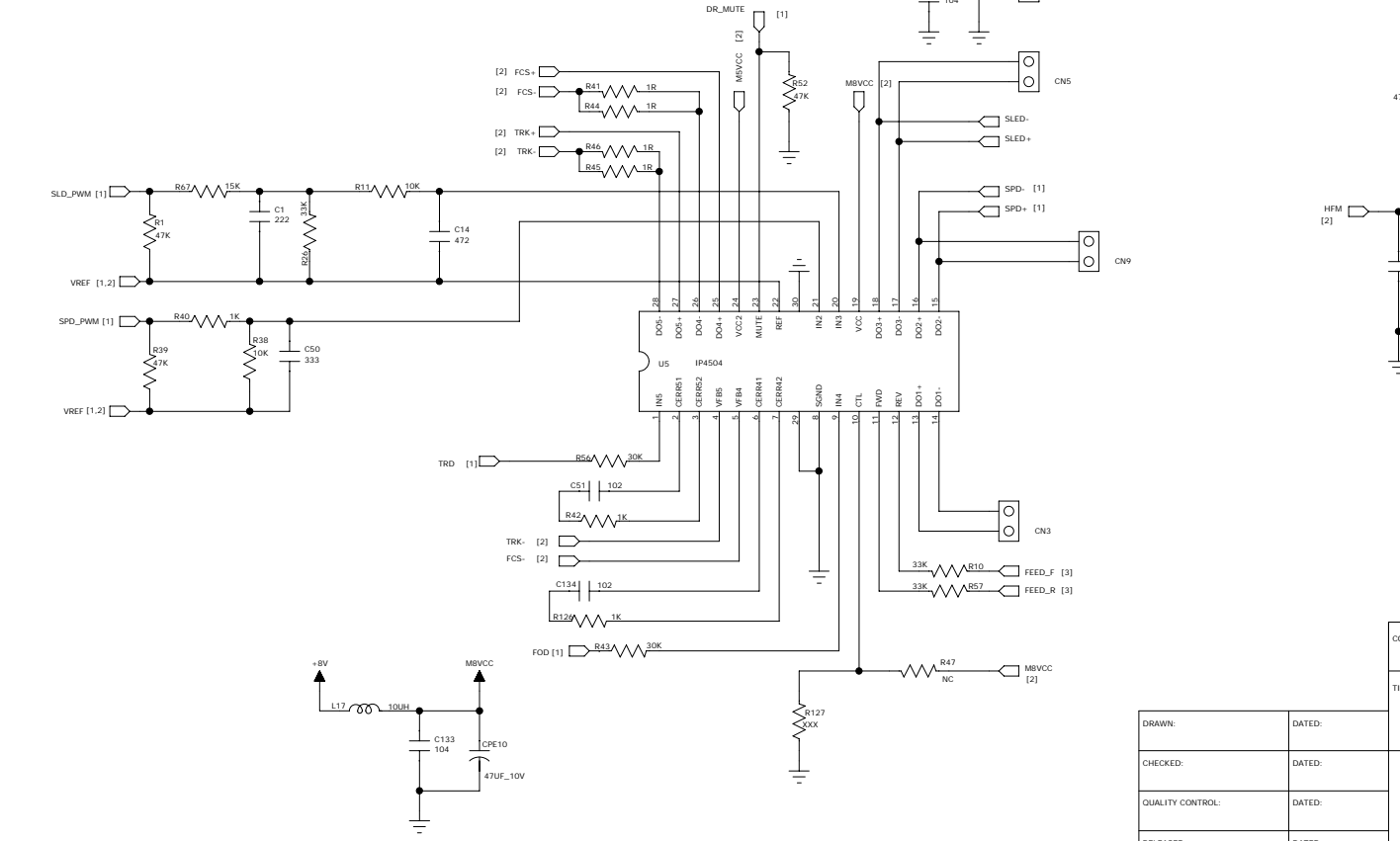
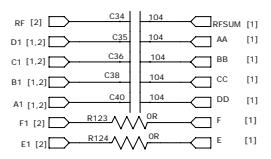
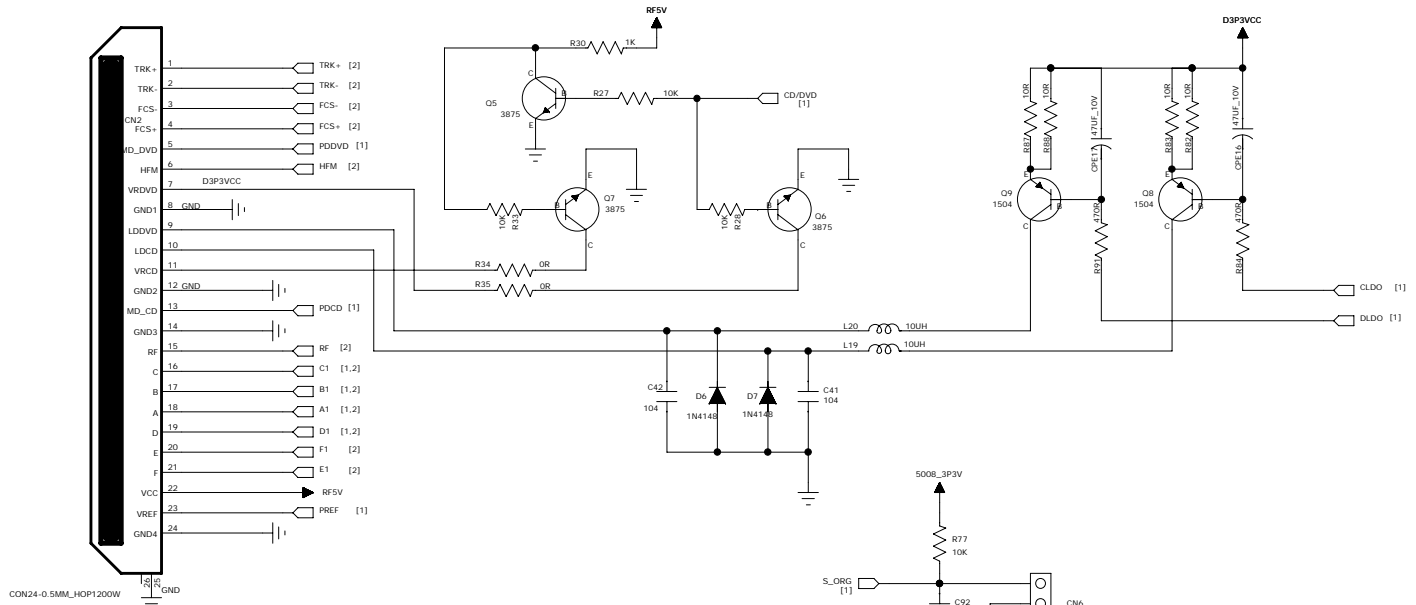
A



U2
S5L5009X

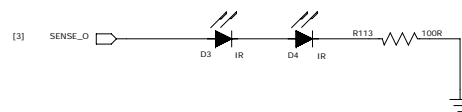
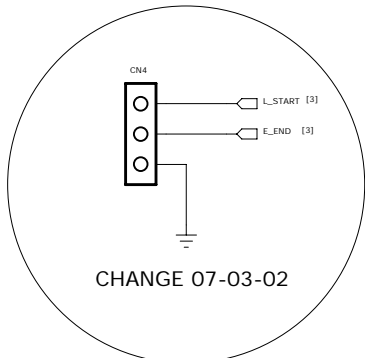
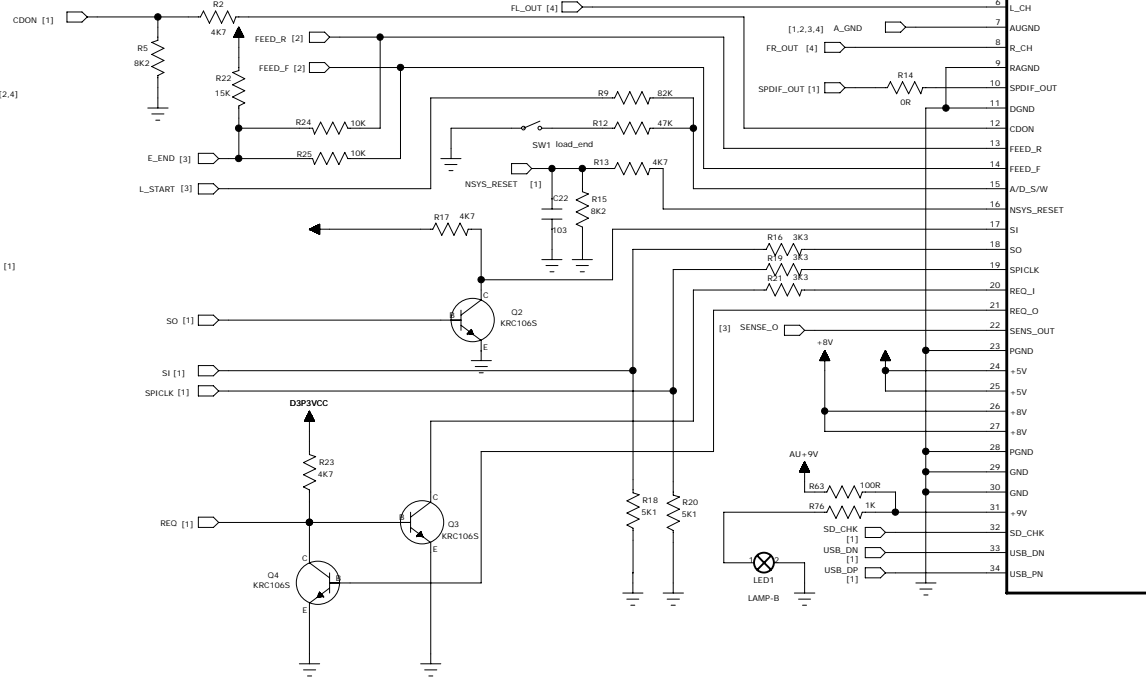
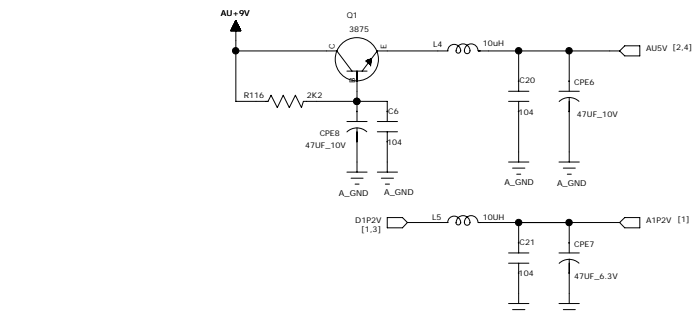
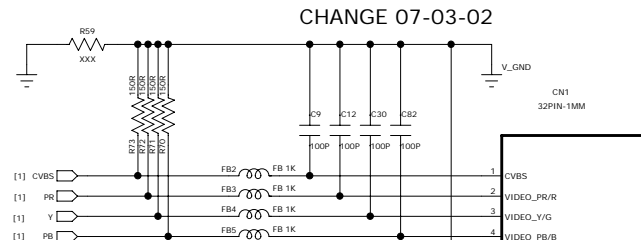
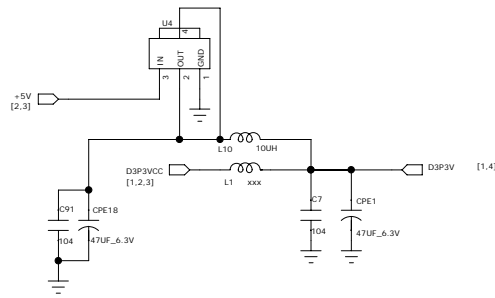
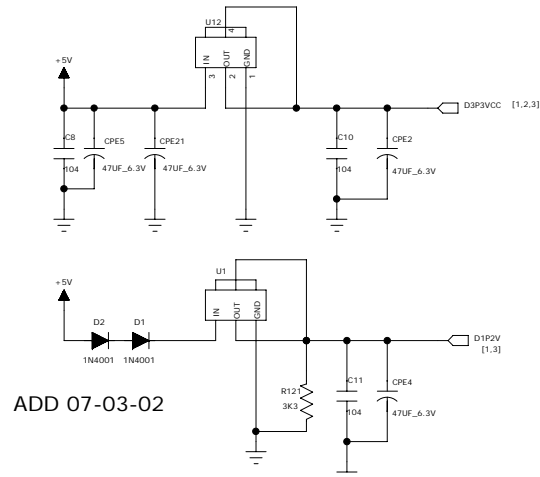
COMPANY:				KEY JET Electronics.,LTD			
TITLE:				S5L5009 with foryou DL30H			
DRAWN:	DATED:	CODE:	SIZE:	DRAWING NO:	REV:		
CHECKED:	DATED:	A3	C	S5L5009	01		
QUALITY CONTROL:	DATED:	SCALE:		SHEET: 1 OF		4	
RELEASED:	DATED:						

REVISION RECORD			
LTR	ECO NO:	APPROVED:	DATE:



COMPANY: KEY JET Electronics.,LTD			
TITLE: S5L5009 with foryou DL30H			
DRAWN:	DATED:	CODE:	SIZE:
CHECKED:	DATED:	DRAWING NO:	REV:
QUALITY CONTROL:	DATED:	A3	C
RELEASED:	DATED:	S5L5009	01
SCALE:			SHEET: 20F 4

REVISION RECORD			
LTR	ECO NO:	APPROVED:	DATE:



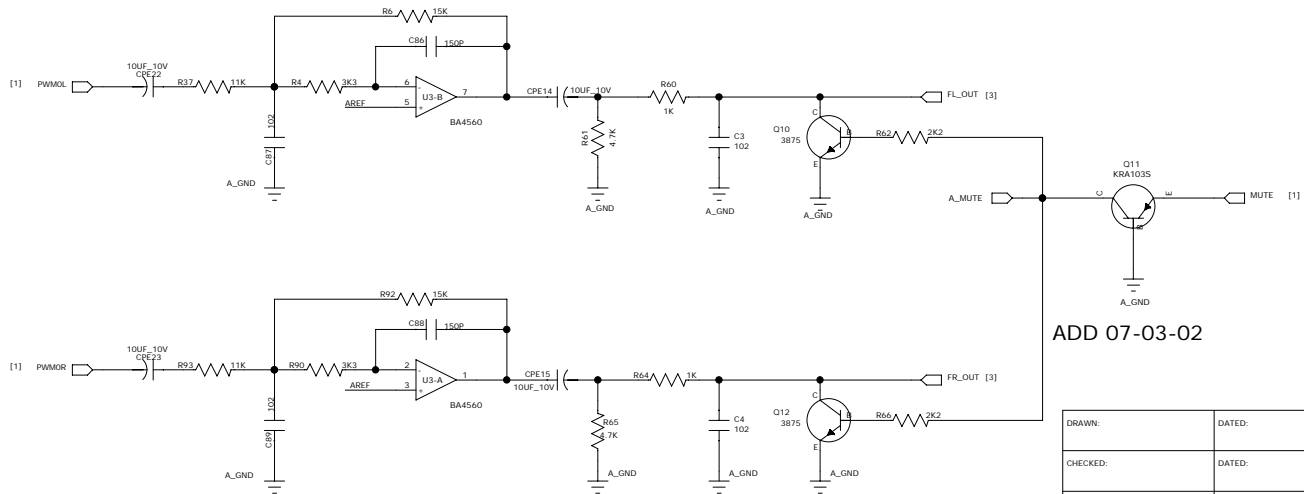
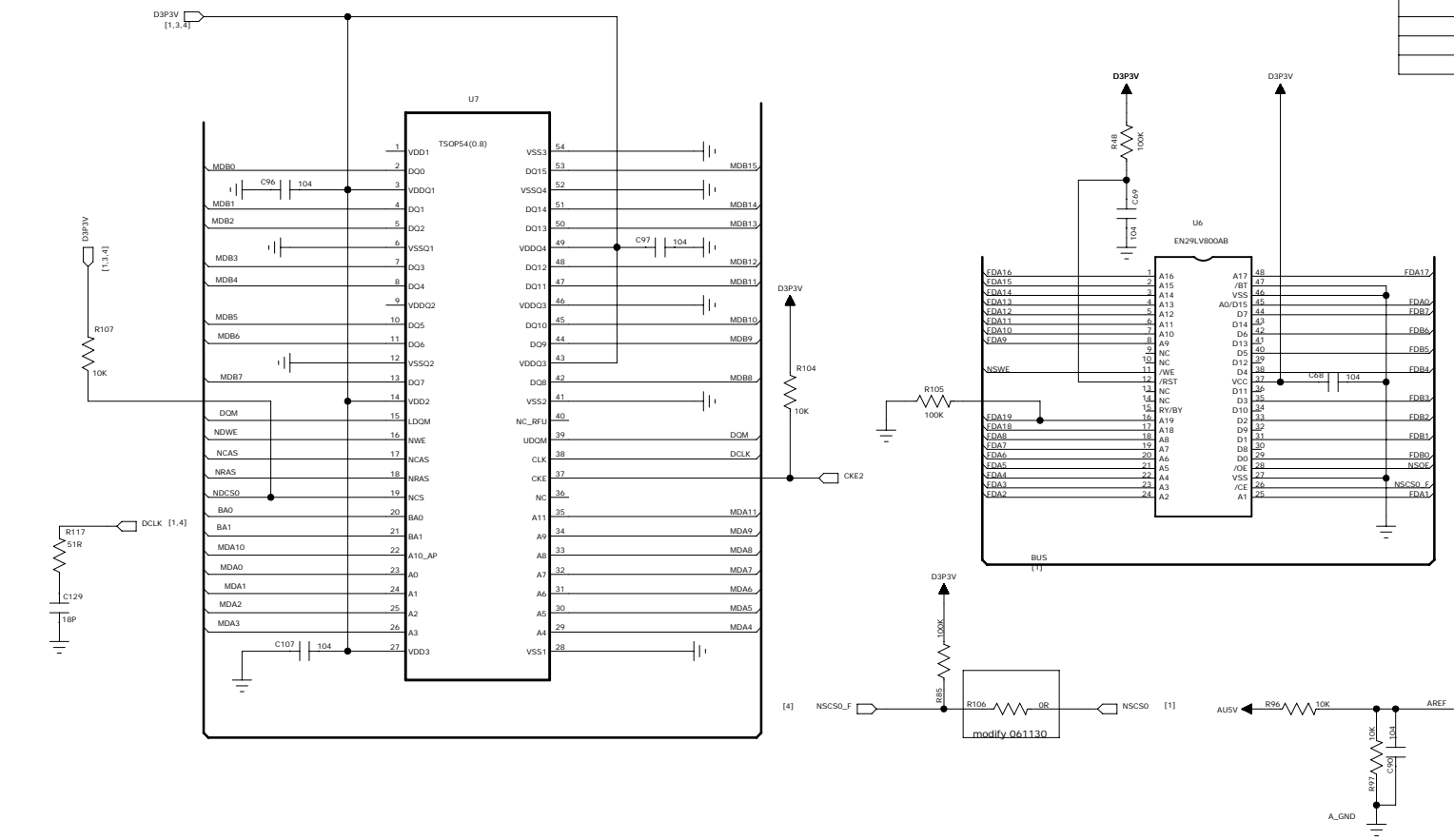
COMPANY: KEY JET Electronics.,LTD

TITLE: S5L5009 with foryou DL30H

DRAWN:	DATED:
CHECKED:	DATED:
QUALITY CONTROL:	DATED:
RELEASED:	DATED:

CODE:	SIZE:	DRAWING NO:	REV:
A3	C	S5L5009	01
SCALE:			SHEET: 30F 4

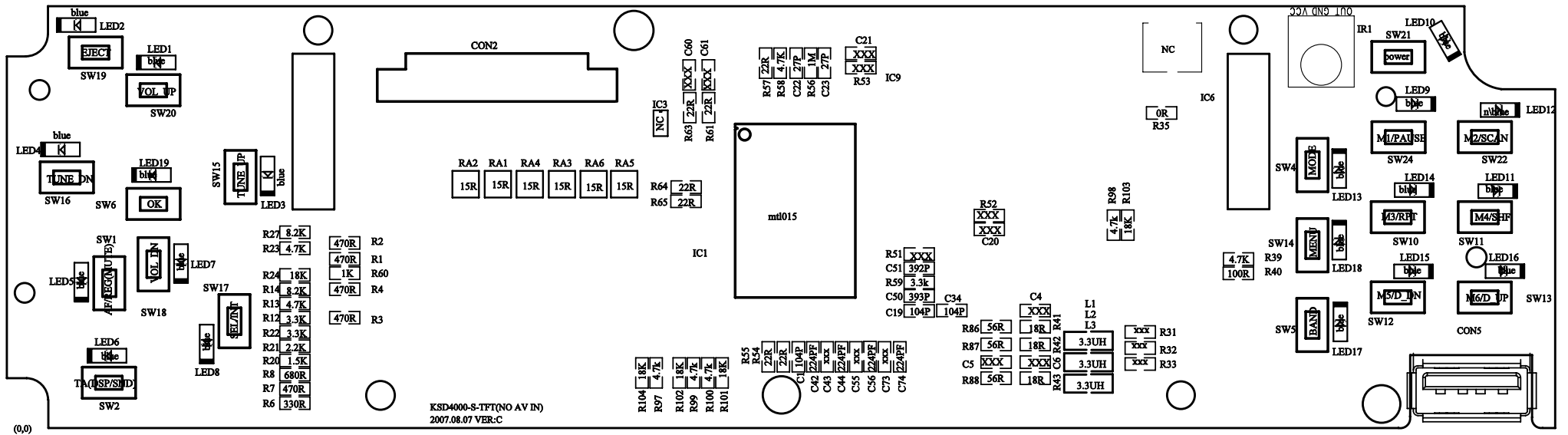
REVISION RECORD			
LTR	ECO NO:	APPROVED:	DATE:

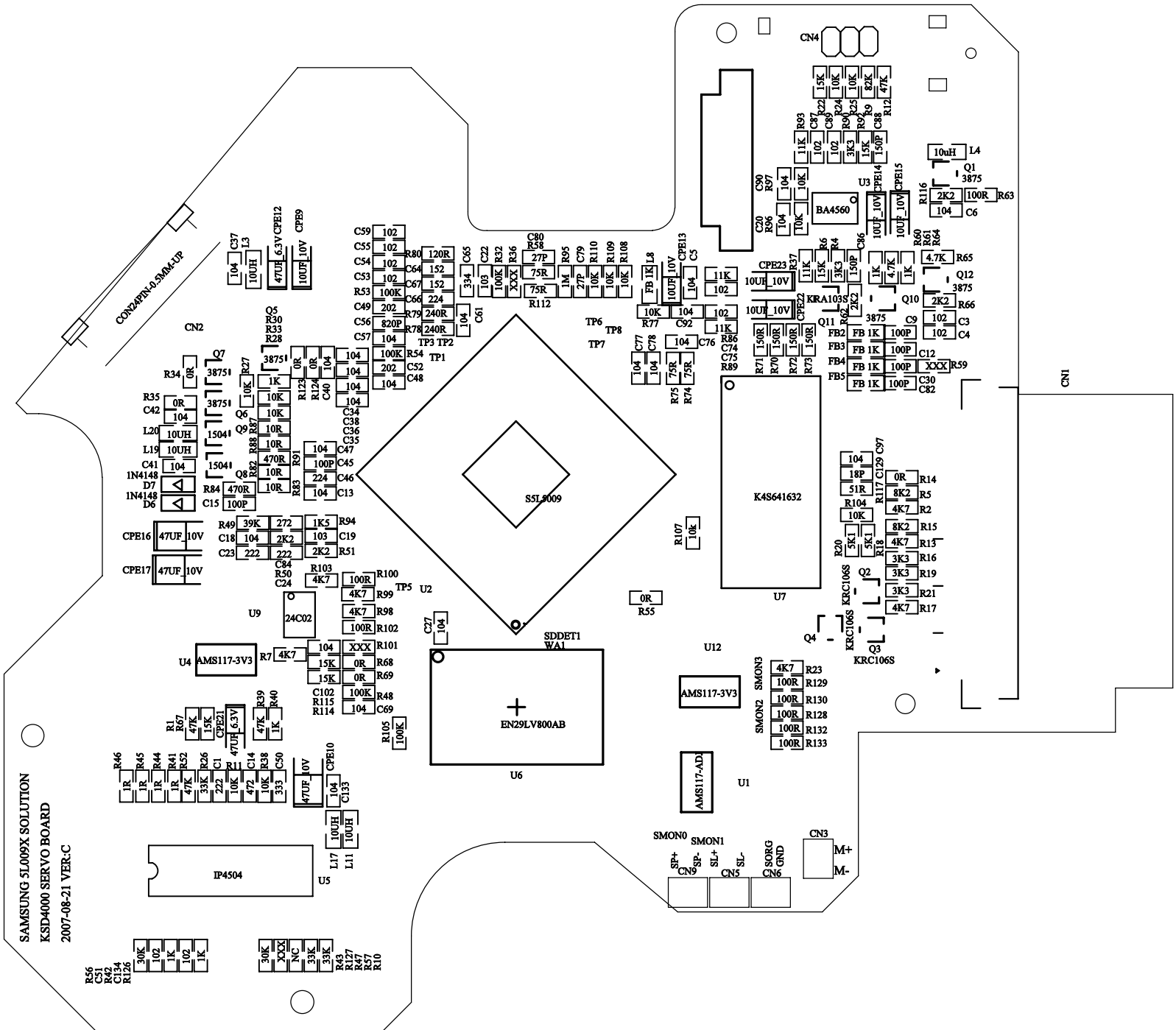


ADD 07-03-02

COMPANY:				KEY JET Electronics.,LTD							
TITLE:								S5L5009 with foryou DL30H			
DRAWN:		DATED:		CODE:		SIZE:		DRAWING NO:		REV:	
CHECKED:		DATED:		A3		C		S5L5009		01	
QUALITY CONTROL:		DATED:		SCALE:		SHEET: 4 OF 4		4			
RELEASED:		DATED:									

KSD-4000 TFT PCB

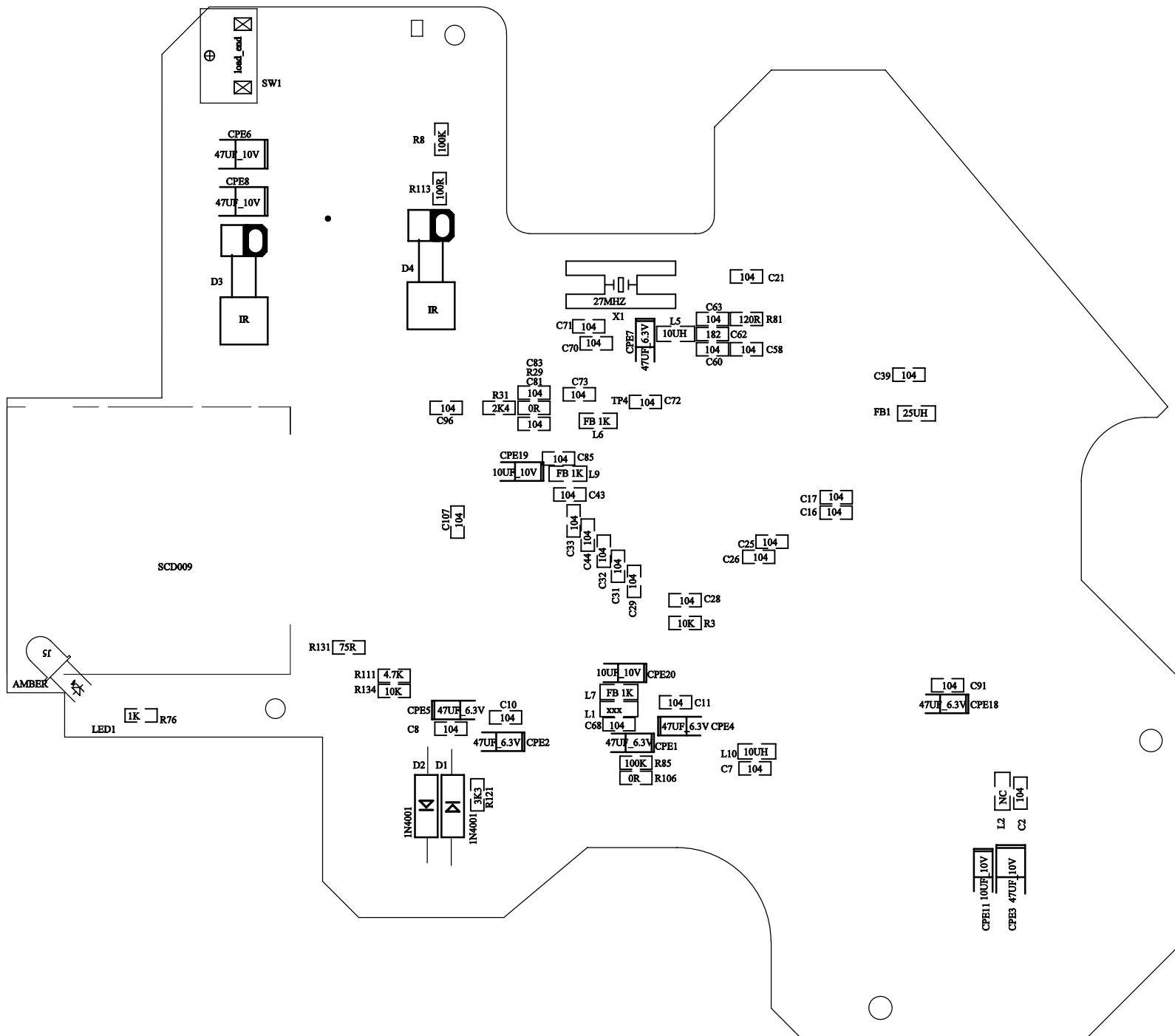




SAMSUNG 5L009X SOLUTION
 KSD4000 SERVO BOARD
 2007-08-21 VER-C

R56 300K
 C51 102
 R42 10K
 C154 10K
 R116 1K

300K
 2K2
 10K
 33K
 33K
 R43
 R42
 R47
 R57
 R10



OUR MODEL	KSD-4000S	BUYER	H.Rangel	BUYER MODEL	H-CMD4006
MAIN FUNCTION		DESTINATION	Russia	BOM NO.	000-03400002-0100
LCD	SCREEN_LTP400WQ_F02	BRAND	Hyundai	PO NO.	PS06507
DVD DECK	DVD DECK AUTO REV_FORYOU_DL-30H	REMOCON	YES	QTY	1707
BAND	AM(OIRT)	POWERCON	DVD ISO CONNECTOR CABLE A	BOM REV:	V1.0 2007.08.14

MODEL:KSD-4000S
MAIN ASS'Y BOARD

Part No		Value	Quantity	Location	Vender	Note
Chip Resistors						
01-00051500-00-00	01 000	RES_CHIP_0_OHM_1/4W_5%_1206	1	L30		
01-00059400-00-00	01 000	RES_CHIP_0_OHM_1/10W_5%_0603	25	R74 R108 R117 R130-132 R136 R179-180 R184 R198 R219 R264,R310,R128,R137,R121,R211 ,R214,R215,R216,R315,R302,R316,R300		
01-10859400-00-00	01 000	RES_CHIP_1_OHM_1/10W_5%_0603	2	R193 R134		
01-10059400-00-00	01 000	RES_CHIP_10_OHM_1/10W_5%_0603	7	R36 R56 R89 R127 R144 R154 299		
01-10159400-00-00	01 000	RES_CHIP_100_OHM_1/10W_5%_0603	9	L13 R41 R126 R183 R260 R290-293		
01-10359400-00-00	01 000	RES_CHIP_10K_OHM_1/10W_5%_0603	23	R16-17 R20 R23 R35 R43 R46 R87 R109 R125 R129 R135 R140 R158 R166 R205 R218 R220 R252-253 R263 R287 R171		
01-15059400-00-00	01 000	RES_CHIP_15_OHM_1/10W_5%_0603	4	R240,R255,R256,R257		
01-10259400-00-00	01 000	RES_CHIP_1K_OHM_1/10W_5%_0603	33	R1 R3-4 R10 R11 R13 R18-19 R38 R40 R48 R50 R91-93 R107 R119 R122 R151 R153 R155 R160-161 R187 R192 R194 R224 R283-286,R265,R141		
01-15259400-00-00	01 000	RES_CHIP_1.5K_OHM_1/10W_5%_0603	8	R185 R189 R281,R57-60,R170		
01-15159400-00-00	01 000	RES_CHIP_150_OHM_1/10W_5%_0603	3	R14,R114,R249		
01-22259400-00-00	01 000	RES_CHIP_2.2K_OHM_1/10W_5%_0603	5	R6,R102,R104,R167,R237		
01-47159400-00-00	01 000	RES_CHIP_470_OHM_1/10W_5%_0603	6	R22 R27 R120 R133 R258 R262		
01-22359400-00-00	01 000	RES_CHIP_22K_OHM_1/10W_5%_0603	16	R70 R80 R82 R84 R100 R105 R138 R143 R196 R271 R273 R307,R311,R314,R251,R313		
01-47259400-00-00	01 000	RES_CHIP_4.7K_OHM_1/10W_5%_0603	19	R24 R28 R44-45 R49 R110-113 R123 R207 R209 R213 R282 R294 R296 R301 R212,R101		
01-68159400-00-00	01 000	RES_CHIP_680_OHM_1/10W_5%_0603	3	R61 R162 R223		
		RES_CHIP_1.5K_OHM_1/10W_5%_0805	4	R195,R306,R9,R317		
01-10459400-00-00	01 000	RES_CHIP_100K_OHM_1/10W_5%_0603	9	R53 R62-64 R200 R227-228 R232 R236		
01-18159400-00-00	01 000	RES_CHIP_180_OHM_1/10W_5%_0603	1	R280		
01-10559400-00-00	01 000	RES_CHIP_1M_OHM_1/10W_5%_0603	7	R95-97 R103 R106 R206 R225		
01-22459400-00-00	01 000	RES_CHIP_220K_OHM_1/10W_5%_0603	1	R186		
01-22159400-00-00	01 000	RES_CHIP_220_OHM_1/10W_5%_0603	2	R208,R279		
01-22059400-00-00	01 000	RES_CHIP_22_OHM_1/10W_5%_0603	3	R7,R15,R163		
01-27359400-00-00	01 000	RES_CHIP_27K_OHM_1/10W_5%_0603	1	R55		
01-39259400-00-00	01 000	RES_CHIP_3.9K_OHM_1/10W_5%_0603	2	R181,R182		AUDIO
01-33259400-00-00	01 000	RES_CHIP_3.3K_OHM_1/10W_5%_0603	8	R29,R30,R31,R32,R42,R47,R51,R52		
01-33159400-00-00	01 000	RES_CHIP_330_OHM_1/10W_5%_0603	3	R275,R278,R115		
01-33359400-00-00	01 000	RES_CHIP_33K_OHM_1/10W_5%_0603	3	R164,R165,R168		
01-33559400-00-00	01 000	RES_CHIP_330K_OHM_1/10W_5%_0603	1	R90		
01-47359400-00-00	01 000	RES_CHIP_47K_OHM_1/10W_5%_0603	35	R26 R54 R65-67 R69 R71-73 R78-79 R81 R86 R88 R94 R98 R118 R145-147 R150 R152 R156-157 R188 R190 R231 R233-235 R243 R259 R274 R289,R191		
01-47959400-00-00	01 000	RES_CHIP_4.7_OHM_1/10W_5%_0603	2	R77 R295		
01-51259400-00-00	01 000	RES_CHIP_5.1K_OHM_1/10W_5%_0603	1	R297		
01-56259400-00-00	01 000	RES_CHIP_5.6K_OHM_1/10W_5%_0603	8	R33-34 R68 R83 R85 R142 R270 R272		
01-68359400-00-00	01 000	RES_CHIP_68K_OHM_1/10W_5%_0603	7	R2 R5 R8 R197 R239 R261 R276		
01-75059400-00-00	01 000	RES_CHIP_75_OHM_1/10W_5%_0603	3	R116 R124 R217		
01-82359400-00-00	01 000	RES_CHIP_8.2K_OHM_1/10W_5%_0603	1	R238		
01-56159400-00-00	01 000	RES_CHIP_560_OHM_1/10W_5%_0603	1	R99		
01-33059400-00-00	01 000	RES_CHIP_33_OHM_1/10W_5%_0603	1	R139		
01-47059400-00-00	01 000	RES_CHIP_47_OHM_1/10W_5%_0603	1	R148		
DIP Resistors						
01-10053100-00-00		RES_AXIAL_10_OHM_1/2W_5%	1	R266		

OUR MODEL	KSD-4000S	BUYER	H.Rangel	BUYER MODEL	H-CMD4006
MAIN FUNCTION		DESTINATION	Russia	BOM NO.	000-03400002-0100
LCD	SCREEN_LTP400WQ_F02	BRAND	Hyundai	PO NO.	PS06507
DVD DECK	DVD DECK AUTO REV_FORYOU_DL-30H	REMOCON	YES	QTY	1707
BAND	AM(OIRT)	POWERCON	DVD ISO CONNECTOR CABLE A	BOM REV:	V1.0 2007.08.14

MODEL:KSD-4000S
MAIN ASS'Y BOARD

Part No		Value	Quantity	Location	Vender	Note
01-10852000-00-00		RES_AXIAL_1_OHM_2W_5%	2	R12,R298		
01-50954000-00-00		RES_AXIAL_0.5_OHM_2W_5%	1	R149		
Chip Ceramic Capacitors						
04-10434560-00-00	04 000	CAP_CHIP_104_X7R_+80%/-20%_50V_0603	39	C11 C17 C23-24 C29 C31-36 C38-41 C45 C50 C58 C69 C72 C78 C84 C87 C92 C96 C113 C128 C132 C134 C137-138 C146 C153 C155-156 C160 C165 C187 R277		
04-10330560-00-00	04 000	CAP_CHIP_103_X7R_10%_50V_0603	8	C2,C3,C7,C8,C9,C10,C21,C118		
04-22015560-00-00	04 000	CAP_CHIP_22P_NPO_5%_50V_0603	9	C15,C76,C77,C107,C108,C139,C85,C88,C168		
04-27015560-00-00	04 000	CAP_CHIP_27P_NPO_5%_50V_0603	1	C80		
04-10230560-00-00	04 000	CAP_CHIP_102P_X7R_10%_50V_0603	6	C4,C5,C61,C62,C63,C64		
04-47015560-00-00	04 000	CAP_CHIP_47P_NPO_5%_50V_0603	2	C81,C86		
04-10115560-00-00	04 000	CAP_CHIP_100P_NPO_5%_50V_0603	1	C91		
04-10534560-00-00	04 000	CAP_CHIP_105P_X7R_+80%/-20%_50V_0603	5	C116,C148,C150,C152,C157		
04-1533060-00-00	04 000	CAP_CHIP_153P_X7R_10%_25V_0603	2	C25,C26		
04-22230560-00-00	04 000	CAP_CHIP_222P_X7R_10%_50V_0603	2	C27,C28		
04-68230560-00-00	04 000	CAP_CHIP_682P_X7R_10%_50V_0603	2	C1,C22		
04-27110560-00-00	04 000	CAP_CHIP_270P_NPO_10%_50V_0603	1	C102		
04-56110560-00-00	04 000	CAP_CHIP_560P_NPO_10%_50V_0603	1	C103		
04-22534160-00-00	04 000	CAP_CHIP_225P_X7R_+80%/-20%_10V_0603	8	C51,C52,C53,C54,C60,C65,C112,C170		
Electrolytic Capacitors						
02-10719020-00-00	02 000	CAP_ELEC.6x5_100u/16V_20% -105C	9	C12,C75,C89,C109,C111,C14,C95,C188,C13		
02-10719020-00-00	02 000	CAP_ELEC.6x5_100u/10V_20% -105C	3	C136,C18,C133		
02-22419050-15-00	02 000	CAP_ELEC.4x5_0.22u/50V_20% -105C	1	C6		
02-10619020-00-00	02 000	CAP_ELEC.4x5_10u/16V_20% -105C	8	C44,C30,C171,C192,C123,C129,C143,C161		
02-10519050-15-00	02 000	CAP_ELEC.4x5_1u/50V_20% -105C	1	C16		
02-22519050-15-00	02 000	CAP_ELEC.4x5_2.2u/50V_20% -105C	21	C56,C57,C98,C99,C100,C104,C106,C114,C140,C158,C159,C48,C147,C172,C173,C174,C185,C186,C141,C93,C121		
02-22619020-00-00	02 000	CAP_ELEC.4x5_22u/16V_20% -40+105C	1	C37		
02-33819058-00-00	02 000	CAP_ELEC.12.5x21_3300u/16V_20% -40+105C	1	C59		
02-47419050-15-00	02 000	CAP_ELEC.4x5_0.47u/50V_20% -40+105C	2	C55,C101		
02-47519050-15-00	02 000	CAP_ELEC.4x5_4.7u/25V_20% -40+105C	4	C67,C68,C74,C167		
02-47619020-17-00	02 000	CAP_ELEC.5x5_47u/16V_20% -40+105C	23	C42,C43,C66,C73,C83,C94,C110,C145,163,C181,C19,C71,C144,C177,C49,C79,C105,C130,C131,C120,C149,C70,C151		
02-22719010-14-00	02 000	CAP_ELEC.6X5_220u/10V_20% -40+105C	3	C47,C90,C142		
Transistor						
13-21240716-00-00	13-021	TR_B1240_ATV	2	Q30,Q41		NEW
13-78550827-00-00		TR_8550_SOT-23_PNP	1	Q25		NEW
13-63875800-00-00	13-009	TR_KTC3875_SOT23-NPN	18	Q3-4 Q7-9 Q11-12 Q20 Q27 Q33-35 Q39-40 Q46 Q54 Q24,Q16		
13-13230924-00-00		TR_DTC323_SOT23-NPN	7	Q2,Q19,Q21,Q22,Q23,Q55,Q56		
13-71504800-00-00	13-008	TR_KTA1504_SOT23-PNP	6	Q1 Q10 Q26 Q28 Q32 Q48		
13-20436427-00-00		TRANSISTOR_TO-126_BD436_PNP_ST(塑封)	2	Q5,Q53		
DIODE						
08-24148080-00-00		DIO-REC-4X7MM_IN4148_SMD_1/2W	16	D1,D32,ZD14,D2,D3,D4,D5,D6,D7,D8,D9,D20,D21,D15,D39,D25		
08-20051080-00-00	08-005	CHIP_ZENER_DIODE_5.1V_LL-34_1/2W_2%	2	ZD1,ZD10		
08-20056080-00-00	08-005	CHIP_ZENER_DIODE_5.6V_LL-34_1/2W_2%	1	ZD15		
08-33380080-00-00		CHIP_ZENER_DIODE_3.3V_LL-34_1/2W_2%	1	ZD2		
08-20043080-00-00	08-005	CHIP_ZENER_DIODE_4.3V_LL-34_1/2W_2%	1	ZD5		
08-20010180-00-00	08-005	CHIP_ZENER_DIODE_10V_LL-34_1/2W_2%	2	ZD11,ZD4		
Ics						

OUR MODEL	KSD-4000S	BUYER	H.Rangel	BUYER MODEL	H-CMD4006
MAIN FUNCTION		DESTINATION	Russia	BOM NO.	000-03400002-0100
LCD	SCREEN_LTP400WQ_F02	BRAND	Hyundai	PO NO.	PS06507
DVD DECK	DVD DECK AUTO REV_FORYOU_DL-30H	REMOCON	YES	QTY	1707
BAND	AM(OIRT)	POWERCON	DVD ISO CONNECTOR CABLE A	BOM REV:	V1.0 2007.08.14

MODEL:KSD-4000S
MAIN ASS'Y BOARD

Part No		Value	Quantity	Location	Vender	Note
09-11117350-00-00		IC_LM1117-ADJ_SOT223	1	IC17		
09-24558000-00-00	09-037	IC_JRC4558D_SOP-8	3	IC7,IC8,IC13		
09-14560300-00-00	09-013	IC_BA4560_SOP-8	1	IC9		
09-27478000-00-00	09-079	IC_TDA7478D_SOP16WIDE	1	IC23		
09-97025300-00-00	09-060	IC_KIA7025AF_SOT89	1	IC42		
09-16202500-00-00	09-031	IC_6202_TO-92	1	IC43		
09-02257300-00-00	09-068	IC_PT2257_SOP8	1	IC25		
09-22313300-00-00	09-080	IC_PT2313B_SOP28	1	IC1		
09-97291000-00-00	09-032	IC_TA7291S	1	IC2		
09-27386300-00-00	09-003	IC_TDA7386	1	IC3		
09-98878300-00-01		IC_RS8878_023S(CPU_80PIN_LQFP 14x14)	1	IC4		
09-59257300-00-00		IC_TC9257F	1	IC6		
09-64245300-00-00		IC_741LVX4245_24PIN_TSSOP24_0.65A	1	IC10		
09-17805300-01-00		IC_7805_TO-220_ST_金属散热片	2	IC38 IC40		
09-07808600-00-00		IC_7808_TO-220_ST_金属散热片	4	IC12,IC37,IC11,IC39		
09-17818500-00-00		IC_78L18_TO-92	1	IC36		
09-17800500-00-00		IC_78L05_TO-92	1	IC16		
LED						
26-12000320-00-00	26-044	LED-3PIE-RED-LEAD-TYPE	1	LED1		
SWITCH						
12-90000001-00-00	12-012	TOUCH_SWITCH_4PIN_DOWN	7	K1,K2,K3,K4,K5,K6,K7		
12-10066130-00-00	12-024	TACT SWITCHVHSW-FOR RESET SW 6617(13MM)	1	SW1		
Tuner						
14-05400010-00-00	NEW	TUNER_TDQ-10A(ORIT BAND)	1	TUN1		
Crystal Oscillator						
05-17200501-00-00	05-021	X-TAL-DIP_7.2MHz_2P_HC-49S	1	X1		
05-14332501-00-00	05-020	X-TAL-DIP_4.332MHz_2P_HC-49S	1	Y2		
Connectors						
57-00004200-07-00		ANT_WIRE_2PN_L=90MM_Φ3.5MM	1	ANT		
58-23030000-01-00	58-005	OPTICAL JACK TX179LT (家用光纤插座)	1	CON1		
58-03320010-00-01		CON_FPC32P_1.0MM_TOUCH_UP_90	1	CON2		
58-03090010-00-01		CON_9P-2.0MM_DIP_180	1	CON4		
58-03240010-00-01	58-035	CON_FPC24P_1.0MM_TOUCH_DOWN_90	1	CON5		
58-12200010-00-04	58-003	CON_POWER_20P(电源连接器)	1	CON7		
58-17240200-00-00	58-080	24P SOCKET(FIXING IN PANEL GUIDE)	1			
58-03020010-00-01	58-106R	CON_2P-2.0MM_DIP	2	CON6,M1		
58-03020026-00-02		CON_2P-1.25MM_SMT_90	1	CON10A		
Inductors						
07-09106000-00-00		INDUCTOR_0805_10UH_10%	1	L2		
07-09229110-01-00		INDUCTOR_0805_2.7UH_10%	2	L1,L4		
89-10209400-00-00		FB_0603_1K_SMD_100MHz	8	L3,L9,L10,L23,L24,L26,L27,L28		
07-09330110-01-00	07-045	INDUCTOR-1206_3.3UH_10%	1	L14		
WIRE LINE						
34-00210040-00-00	54-100	2P_MOTOR_WIRE_70MM_AWG28	1			
54-12080010-00-00	54-147	视频组音线 (DVD OUT+AUZ-IN+SUB WOOFER)	1			
PCB						
78-44200640-01-00		KSD-4000 MAIN BOARD PCB S/D	1			NEW
78-34000000-10-00		24P SOCKET PCB 45X16 T=0.8 FR-4 NO PATTERN	1			new
OTHER						
90-00170000-00-00		插17MM铁线(铁线上套高温套管)	1	R226		

OUR MODEL	KSD-4000S	BUYER	H.Rangel	BUYER MODEL	H-CMD4006
MAIN FUNCTION		DESTINATION	Russia	BOM NO.	000-03400002-0100
LCD	SCREEN_LTP400WQ_F02	BRAND	Hyundai	PO NO.	PS06507
DVD DECK	DVD DECK AUTO REV_FORYOU_DL-30H	REMOCON	YES	QTY	1707
BAND	AM(OIRT)	POWERCON	DVD ISO CONNECTOR CABLE A	BOM REV:	V1.0 2007.08.14

MODEL:KSD-4000S

TFT ASS'Y BOARD

Part No		Value	Quantity	Location	Vender	Note
Chip Resistors						
01-00051500-00-00	01 000	RES_CHIP_0_OHM_1/4W_5%_1206	3	L4,L14,L13		
01-00059400-00-00	01 000	RES_CHIP_0_OHM_1/10W_5%_0603	3	R30,R28,R35		
01-10159400-00-00	01 000	RES_CHIP_100_OHM_1/10W_5%_0603	1	R40		
01-10259400-00-00	01 000	RES_CHIP_1K_OHM_1/10W_5%_0603	3	R19,R9,R60		
01-10359400-00-00	01 000	RES_CHIP_10K_OHM_1/10W_5%_0603	1	R105		
01-10459400-00-00	01 000	RES_CHIP_100K_OHM_1/10W_5%_0603	1	R82		
01-10559400-00-00	01 000	RES_CHIP_1M_OHM_1/10W_5%_0603	1	R56		
01-15851500-00-00	01 000	RES_CHIP_1.5_OHM_1/10W_5%_1206	2	R93,R95		
01-15259400-00-00	01 000	RES_CHIP_1.5K_OHM_1/10W_5%_0603	2	R10,R20		
01-15359400-00-00	01 000	RES_CHIP_15K_OHM_1/10W_5%_0603	2	R49,R50		
01-18159400-00-00	01 000	RES_CHIP_180_OHM_1/10W_5%_0603	2	R26,R29		
01-18059400-00-00	01 000	RES_CHIP_18_OHM_1/10W_5%_0603	3	R41,R42,R43		
01-18359400-00-00	01 000	RES_CHIP_18K_OHM_1/10W_5%_0603	5	R101,R102,R103,R104,R24		
01-20059400-00-00	01 000	RES_CHIP_20_OHM_1/10W_5%_0603	1	R62		
01-22159400-00-00	01 000	RES_CHIP_220_OHM_1/10W_5%_0603	2	R15,R25		
01-22059400-00-00	01 000	RES_CHIP_22_OHM_1/10W_5%_0603	9	R54,R55,R57,R61,R63,R64,R65,R34,R44		
01-22259400-00-00	01 000	RES_CHIP_2.2K_OHM_1/10W_5%_0603	2	R11,R21		
01-33259400-00-00	01 000	RES_CHIP_3.3K_OHM_1/10W_5%_0603	3	R22,R12,R59		
01-33159400-00-00	01 000	RES_CHIP_330_OHM_1/10W_5%_0603	2	R6,R16		
01-47951500-00-00	01 000	RES_CHIP_4.7_OHM_1/4W_5%_1206	2	R90,R92		
01-47159400-00-00	01 000	RES_CHIP_470_OHM_1/10W_5%_0603	11	R1,R2,R3,R4,R5,R7,R17,R45,R46,R47,R48		
01-47259400-00-00	01 000	RES_CHIP_4.7K_OHM_1/10W_5%_0603	9	R23,R39,R58,R13,R80,R97,R98,R99,R100		
01-56059400-00-00	01 000	RES_CHIP_56_OHM_1/10W_5%_0603	3	R86,R87,R88		
01-68159400-00-00	01 000	RES_CHIP_680_OHM_1/10W_5%_0603	2	R8,R18		
01-82259400-00-00	01 000	RES_CHIP_8.2K_OHM_1/10W_5%_0603	2	R14,R27		
01-15059700-00-00	01 000	RES_CHIP_0603X4_15_OHM_5%_1/10W	6	RA1,RA2,RA3,RA4,RA5,RA6		
Chip Ceramic Capacitors						
04-10434560-00-00	04 000	CAP_CHIP_104P_X7R_+80%/-20%_50V_0603	28	C3,C14,C16,C76,C79,C1,C10,C11,C19,C25,C26,C27,C28,C29,C30,C31,C32,C33,C34,C36,C37,C38,C39,C40,C41,C45,C49,C12		
04-22434560-00-00	04 000	CAP_CHIP_224P_X7R_+80%/-20%_50V_0603	4	C42,C44,C56,C74		
04-27015560-00-00	04 000	CAP_CHIP_27P_NPO_5%_50V_0603	2	C22,C23		
04-39230560-00-00	04 000	CAP_CHIP_392P_X7R_10%_50V_0603	1	C51		
04-39330560-00-00	04 000	CAP_CHIP_393P_X7R_10%_50V_0603	1	C50		
04-10634360-00-00	04 000	CAP_CHIP_106P_X7R_+80%/-20%_25V_1206	1	C53		
Electrolytic Capacitors						
04-47659122-00-00	05-022	CAP_TAN_CHIP_3528_B_47u/10V_20% -85C	1	C83		
04-47659022-00-00		CAP_TAN_CHIP_3528_B_47u/6V3_20% -85C	16	C8,C46,C47,C57,C63,C2,C24,C7,C9,C13,C15,C75,C78,C35,C48,C52		
DIODE						
08-29900040-00-00		DIO_BAV99_SOT-23_A7	2	Q20,Q21		
Discrete Semiconductors						
08-90022080-00-00	08-004	DIO-AXIAL-SMTN_SK24	1	D1		
LED						

OUR MODEL	KSD-4000S	BUYER	H.Rangel	BUYER MODEL	H-CMD4006
MAIN FUNCTION		DESTINATION	Russia	BOM NO.	000-03400002-0100
LCD	SCREEN_LTP400WQ_F02	BRAND	Hyundai	PO NO.	PS06507
DVD DECK	DVD DECK AUTO REV_FORYOU_DL-30H	REMOCON	YES	QTY	1707
BAND	AM(OIRT)	POWERCON	DVD ISO CONNECTOR CABLE A	BOM REV:	V1.0 2007.08.14

MODEL:KSD-4000S

TFT ASS'Y BOARD

Part No		Value	Quantity	Location	Vender	Note
26-16060560-00-00	26-004	LED_CHIP_0805_BLUE_SUPPER	19	LED1,LED2,LED3,LED4,LED5,LED6,LED7,LED8,LED9,LED10,LED11,LED12,LED13,LED14,LED15,LED16,LED17,LED18,LED19		
Crystal Oscillator						
05-61431802-00-00	05-022	X-TAL-SMT_14.318MHz_4P_5*7MM	1	X1		
Inductors						
07-01338010-00-00		INDUCTOR_SMT_1206_3.3UH_10%	3	L1,L2,L3		昊然
07-09150043-00-00	07-040	COIL_SMT_15UH_4.0*4.5*3MM_CD43	1	L20		昊然
89-40091500-00-00	07-043	磁珠_SMT_1206_FB_40OHM_500MA	5	L5,L6,L7,L9,L15		昊然
89-10291500-00-00	07-049	FB_1206_1K_SMD_100MHz_300MA	1	L8		昊然

OUR MODEL	KSD-4000S	BUYER	H.Rangel	BUYER MODEL	H-CMD4006
MAIN FUNCTION		DESTINATION	Russia	BOM NO.	000-03400002-0100
LCD	SCREEN_LTP400WQ_F02	BRAND	Hyundai	PO NO.	PS06507
DVD DECK	DVD DECK AUTO REV_FORYOU_DL-30H	REMOCON	YES	QTY	1707
BAND	AM(OIRT)	POWERCON	DVD ISO CONNECTOR CABLE A	BOM REV:	V1.0 2007.08.14

MODEL:KSD-4000S

TFT ASS'Y BOARD

Part No		Value	Quantity	Location	Vender	Note
89-10209400-00-00	07-047	FB_0603_1K_SMD_100MHz_300MA	3	R68,R75,R74		
Ics						
09-11173325-00-00	09-065	LM1117-2.5V_SOT223	1	IC10		
09-11173333-00-00	09-066	LM1117-3.3V_SOT223	1	IC4		
09-30150700-00-00	09-072	IC_MTL015_128P_PQFP	1	IC1	世纪民生	
09-91521300-00-00	09-061	IC_MP1521_MSOP10	1	IC5	MPS	
Connectors						
58-03400020-00-06	58-103	CON_40P_SMD_horizontal_0.5mm_Below_contact	1	CON2		
58-03400021-00-06	58-104	CON_40P_SMD_horizontal_0.5mm_upwards_contact	2	CON1,CON2(CONNECTOR PCB)		
58-29040011-00-00		4P_PADS_USB_90°_reverse	1	CON5	乐兴达	
58-17240200-01-01	58-079	CON_24P_FLOAT_PLUG_ESTF2-24T-01	1	CON1		
REMOTE RECEIVE						
19-01385080-00-01	90-011	REMOSENSOR_3P_5V_38KHz(IR_RECEVER)	1	IR1		
SWITCH						
12-11101400-00-00	12-005	TACT-SW-2P-1101E 6X3.5X4.3MM	19	SW1,SW14,SW19,SW24,SW22,SW10,SW11,SW12,SW13,SW5,SW4,SW6,SW21,SW17,SW2,SW16,SW15,SW18,SW20		
12-90000001-00-00	12-012	TOUCH_SWITCH_4PIN_DOWN	1	SW23		
LCD						
25-04000000-02-00	26-047	SCREEN_LTP400WQ_F02	1			
PCB						
78-44000641-08-00		KSD-4000 TFT PCB S/D 175*58*1.2MM	1	TFT PCB		NEW
78-44000641-11-00		KSD-4000 CON PCB 32.3*16*1.2MM	1	CON PCB		NEW
FPC						
34-02410002-00-00	54-108	FPC-24P-1.0MM-100MM-CO-CO	1			
34-04005001-00-00	54-109	FPC-40P-0.5MM-50MM-CO-CO	1			

OUR MODEL	KSD-4000S	BUYER	H.Rangel	BUYER MODEL	H-CMD4006
MAIN FUNCTION		DESTINATION	Russia	BOM NO.	000-03400002-0100
LCD	SCREEN_LTP400WQ_F02	BRAND	Hyundai	PO NO.	PS06507
DVD DECK	DVD DECK AUTO REV_FORYOU_DL-30H	REMOCON	YES	QTY	1707
BAND	AM(OIRT)	POWERCON	DVD ISO CONNECTOR CABLE A	BOM REV.	V1.0 2007.08.14

MODEL:KSD-4000S

SERVO ASS'Y BOARD

Part No		Value	Quantity	Location	Vender	Note
Chip Resistors						
01-00059400-00-00	01 000	RES_CHIP_0_OHM_1/10W_5%_0603	10	R14 R29 R34-35 R68-69 R106 R123-124 R55		
01-10959400-00-00	01 000	RES_CHIP_1_OHM_1/10W_5%_0603	4	R41 R44-46		
01-10059400-00-00	01 000	RES_CHIP_10_OHM_1/10W_5%_0603	4	R82-83 R87-88		
01-10159400-00-00	01 000	RES_CHIP_1K_OHM_1/10W_5%_0603	9	R63 R100 R102 R113 R128-130 R132-133		
01-10259400-00-00	01 000	RES_CHIP_1K_OHM_1/10W_5%_0603	7	R30 R40 R42 R60 R64 R126 R76		
01-10359400-00-00	01 000	RES_CHIP_10K_OHM_1/10W_5%_0603	18	R3 R11 R24-25 R27-28 R33 R38 R96-97 R104 R107-110 R134,R77		
01-10459400-00-00	01 000	RES_CHIP_100K_OHM_1/10W_5%_0603	7	R8 R32 R48 R53-54 R85 R105		
01-10559400-00-00	01 000	RES_CHIP_1M_OHM_1/10W_5%_0603	1	R95		
01-11359400-00-00	01 000	RES_CHIP_11K_OHM_1/10W_5%_0603	4	R37 R86 R89 R93		
01-12159400-00-00	01 000	RES_CHIP_120_OHM_1/10W_5%_0603	2	R80,R81		
01-15159400-00-00	01 000	RES_CHIP_150_OHM_1/10W_5%_0603	4	R70-R73		
01-15259400-00-00	01 000	RES_CHIP_1.5K_OHM_1/10W_5%_0603	1	R94		
01-15359400-00-00	01 000	RES_CHIP_15K_OHM_1/10W_5%_0603	4	R22 R67 R114-115		
01-15359400-00-00	01 000	RES_CHIP_15K_OHM_1/10W_5%_0603	2	R6,R92		
01-22259400-00-00	01 000	RES_CHIP_2.2K_OHM_1/10W_5%_0603	5	R50-51 R62 R66,R116		
01-24159400-00-00	01 000	RES_CHIP_240_OHM_1/10W_5%_0603	2	R78,R79		
01-24259400-00-00	01 000	RES_CHIP_2.4K_OHM_1/10W_5%_0603	1	R31		
01-30359400-00-00	01 000	RES_CHIP_30K_OHM_1/10W_5%_0603	1	R43,R56		
01-33259400-00-00	01 000	RES_CHIP_3.3K_OHM_1/10W_5%_0603	6	R4 R16 R19 R21 R90 R121		
01-33359400-00-00	01 000	RES_CHIP_33K_OHM_1/10W_5%_0603	3	R10 R26 R57		
01-39359400-00-00	01 000	RES_CHIP_39K_OHM_1/10W_5%_0603	1	R49		
01-47159400-00-00	01 000	RES_CHIP_470_OHM_1/10W_5%_0603	2	R84 R91		
01-47259400-00-00	01 000	RES_CHIP_4.7K_OHM_1/10W_5%_0603	11	R2 R7 R13 R17 R23 R98-99 R103 R61 R65 R111		
01-47359400-00-00	01 000	RES_CHIP_47K_OHM_1/10W_5%_0603	4	R1 R12 R39 R52		
01-51259400-00-00	01 000	RES_CHIP_5.1K_OHM_1/10W_5%_0603	2	R18,R20		
01-51059400-00-00	01 000	RES_CHIP_51_OHM_1/10W_5%_0603	1	R117		
01-75059400-00-00	01 000	RES_CHIP_75_OHM_1/10W_5%_0603	5	R74-75 R131,R112,R58		
01-82259400-00-00	01 000	RES_CHIP_8.2K_OHM_1/10W_5%_0603	2	R5,R15		
01-82359400-00-00	01 000	RES_CHIP_82K_OHM_1/10W_5%_0603	1	R9		
Chip Ceramic Capacitors						
04-10230560-00-00	04 000	CAP_CHIP_102P_X7R_10%_50V_0603	12	C3-4 C51 C53-55 C59 C74-75 C87 C89 C134		
04-10330560-00-00	04 000	CAP_CHIP_103P_X7R_10%_50V_0603	2	C19,C22		
04-10434560-00-00	04 000	CAP_CHIP_104P_X7R_+80%/-20%_50V_0603	59	C2 C5-8 C10-11 C13 C16-18 C20-21 C25-29 C31-44 C47-48 C57-58 C60-61 C63 C68-73 C76-78 C81 C83 C85 C90-91 C96-97 C102 C107 C133,C92		
04-20230560-00-00	04 000	CAP_CHIP_202P_X7R_10%_50V_0603	2	C49 C52		
04-22230560-00-00	04 000	CAP_CHIP_222P_X7R_10%_50V_0603	3	C1 C23-24		
04-27230560-00-00	04 000	CAP_CHIP_272P_X7R_10%_50V_0603	1	C84		
04-22430560-00-00	04 000	CAP_CHIP_224P_X7R_10%_50V_0603	2	C46,C66		
04-33330560-00-00	04 000	CAP_CHIP_333P_X7R_10%_50V_0603	1	C50		
04-33430560-00-00	04 000	CAP_CHIP_334P_X7R_10%_50V_0603	1	C65		
04-47230560-00-00	04 000	CAP_CHIP_472P_X7R_10%_50V_0603	1	C14		

OUR MODEL	KSD-4000S	BUYER	H.Rangel	BUYER MODEL	H-CMD4006
MAIN FUNCTION		DESTINATION	Russia	BOM NO.	000-03400002-0100
LCD	SCREEN_LTP400WQ_F02	BRAND	Hyundai	PO NO.	PS06507
DVD DECK	DVD DECK AUTO REV_FORYOU_DL-30H	REMOCON	YES	QTY	1707
BAND	AM(OIRT)	POWERCON	DVD ISO CONNECTOR CABLE A	BOM REV.	V1.0 2007.08.14

MODEL:KSD-4000S

SERVO ASS'Y BOARD

Part No		Value	Quantity	Location	Vender	Note
04-27015560-00-00	04 000	CAP_CHIP_27P_NPO_5%_50V_0603	2	C79,C80		
04-15115560-00-00	04 000	CAP_CHIP_150P_NPO_5%_50V_0603	2	C86 C88		
04-15215560-00-00	04 000	CAP_CHIP_152P_X7R_10%_50V_0603	2	C64 C67		
04-18215560-00-00	04 000	CAP_CHIP_182P_X7R_10%_50V_0603	1	C62		
04-18015560-00-00	04 000	CAP_CHIP_18P_NPO_5%_50V_0603	1	C129		
04-10115560-00-00	04 000	CAP_CHIP_100P_NPO_5%_50V_0603	6	C9 C12 C30 C82 C15,C45		
04-82115560-00-00	04 000	CAP_CHIP_820P_NPO_5%_50V_0603	1	C56		

Electrolytic Capacitors

04-47659122-00-00		CAP_TAN_CHIP_B_47u/10V_20% -105C	6	CPE6,CPE8 CPE3 CPE10 CPE16-17		
04-47659121-00-00		CAP_TAN_CHIP_A_47UF_6.3V_20%_105C	8	CPE1-2,CPE4-5,CPE7,CPE12,CPE18,CPE21		
04-10659121-00-00		CAP_TAN_CHIP_A_10u/10V_20% -105C	9	CPE9 CPE11 CPE13 CPE19-20 CPE22-23 CPE14,CPE15		

Discrete Semiconductors

08-14001020-00-00		DIO_1N4001_DIP_DO-41	2	D1,D2		NEW
08-24148150-00-00		DIO-SMT_1N4148 SMD 400MW_SOD-123	2	D6,D7		

TRANSISTOR

13-60106800-00-00	13-012	TR_KRC106S_SOT-23_NPN	3	Q2,Q3,Q4		
13-63875800-00-00	13-009	TR_KTC3875_SOT-23_NPN	6	Q1 Q5-7 Q10 Q12		
13-71504800-00-00	13-008	TR_KTA1504_SOT23-PNP(OR 2SA1182)	2	Q8,Q9		
13-70103800-00-00		TR_KRA103S_SOT23-PNP	1	Q11		

LED

26-12030530-00-00	26-025	LED ORANGE DIP 3MM R304O3CY	1	LED1		
26-91180510-00-00	26-020	LED-PHOTO-2.5_EL-23G	2	D3,D4		

Crystal Oscillator

05-62700401-05-00	05-005	X-TAL-SMT_27MHz_2P	1	X1		
-------------------	--------	--------------------	---	----	--	--

Inductors

07-01250000-00-00		0805_25UH_10%	1	FB1		
07-09101100-01-00		0805_10UH_10%	8	L3 L5 L11 L17 L19-20 L4,L10		
89-10209400-00-00		磁珠_SMT_0603_FB_1K/100M	8	L6-9,FB2-5		

Ics

09-94504300-00-00	09-069	IC_IP4504AL_HSOP28	1	U5		
09-91632300-00-00		IC_K4S641632_TSOP54(0.8)	1	U7		
09-92980030-00-00		IC_EN29LV800AB_TSOP48(0.5)	1	U6		
09-05500930-00-00		IC_S5L5009X_QFP216(0.4)	1	U2		
09-11117300-01-00		IC_AMS1117_ADJ_SOT-223	1	U1		
09-11117333-01-00		IC_AMS1117_3.3V_SOT-223	2	U4,U12		
09-14560300-00-00	09-013	IC_BA4560_SOP-8	1	U3		
09-02402300-04-00	09 062	IC_AT24C02_SOP-8	1	U9		

Connectors

58-04240001-00-06	58-102	FPC24P-0.5MM SMD Horizontal TOP CONTACT	1	CN2		
58-28156100-00-00	58-085	SD-156-1XX000000X	1	J5		

WIRE LINE

34-03212013-00-00		FFC_32P-1.0PITCH_120mm	1	CN1		
-------------------	--	------------------------	---	-----	--	--

OUR MODEL	KSD-4000S	BUYER	H.Rangel	BUYER MODEL	H-CMD4006
MAIN FUNCTION		DESTINATION	Russia	BOM NO.	000-03400002-0100
LCD	SCREEN_LTP400WQ_F02	BRAND	Hyundai	PO NO.	PS06507
DVD DECK	DVD DECK AUTO REV_FORYOU_DL-30H	REMOCON	YES	QTY	1707
BAND	AM(OIRT)	POWERCON	DVD ISO CONNECTOR CABLE A	BOM REV.	V1.0 2007.08.14

MODEL:KSD-4000S

SERVO ASS'Y BOARD

Part No		Value	Quantity	Location	Vender	Note
SWITCH						
12-11110000-00-00	12-006	SW-SW111_ORIGINAL_SWITCH_SHINMEI	1	SW1		
DECK						
40-40030050-00-00		DVD DECK AUTO REV_FORYOU_DL-30H	1			NEW
PCB						
78-44200640-03-00		KSD-4000 SERVO PCB S/D 108*106*1.2MM/SAMSUNG	1	SERVO PCB		NEW

OUR MODEL	KSD-4000S	BUYER	H.Rangel	BUYER MODEL	H-CMD4006
MAIN FUNCTION		DESTINATION	Russia	BOM NO.	000-03400002-0100
LCD	SCREEN_LTP400WQ_F02	BRAND	Hyundai	PO NO.	PS06507
DVD DECK	DVD DECK AUTO REV_FORYOU_DL-30H	REMOCON	YES	QTY	1707
BAND	AM(OIRT)	POWERCON	DVD ISO CONNECTOR CABLE A	BOM REV:	V1.0 2007.08.14

MODEL:KSD-4000S

POWER WIRE

400-03020307-0200

Part No		Value	Quantity	Location	Vender	Note
02-10819058-00-00	02 000	ELECT CAP 1000uF 16V+/-20% -40+105°C (10X17MM)	1	火牛板C1		
08-15401020-00-00	08-007	DIO-REC5401	1	火牛板D1		
07-11601000-00-00	07-031	AMOS CORE AC-N001 (T18X11X10-600UH) (飞高)	1	火牛板 L1		
78-17100430-07-00		PCB KSD7100-07-00RDS 31X36X1.6MM	1	KSD7100-07-00		
54-00400004-00-06	54-136	20P POWER ISO CONNECTOR WIRE (DVD CONNECTOR CABEL B)	1			带火牛盒