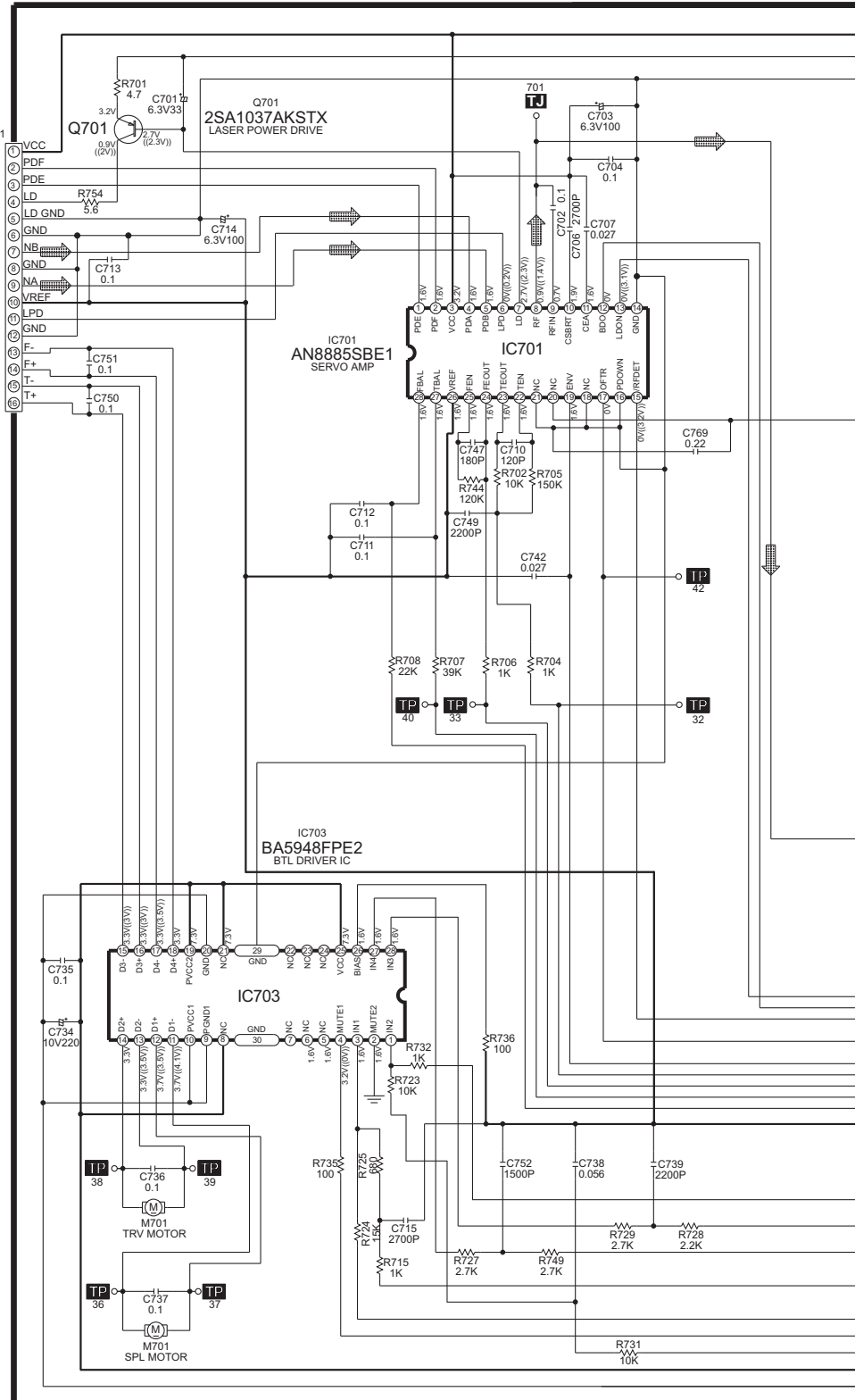
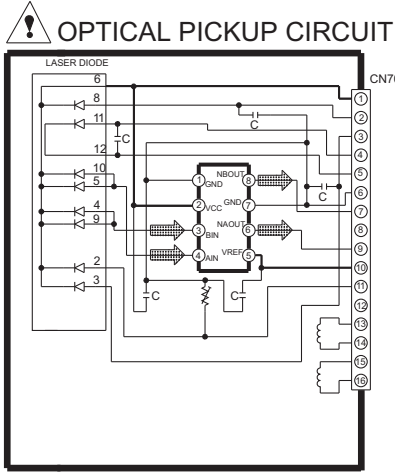


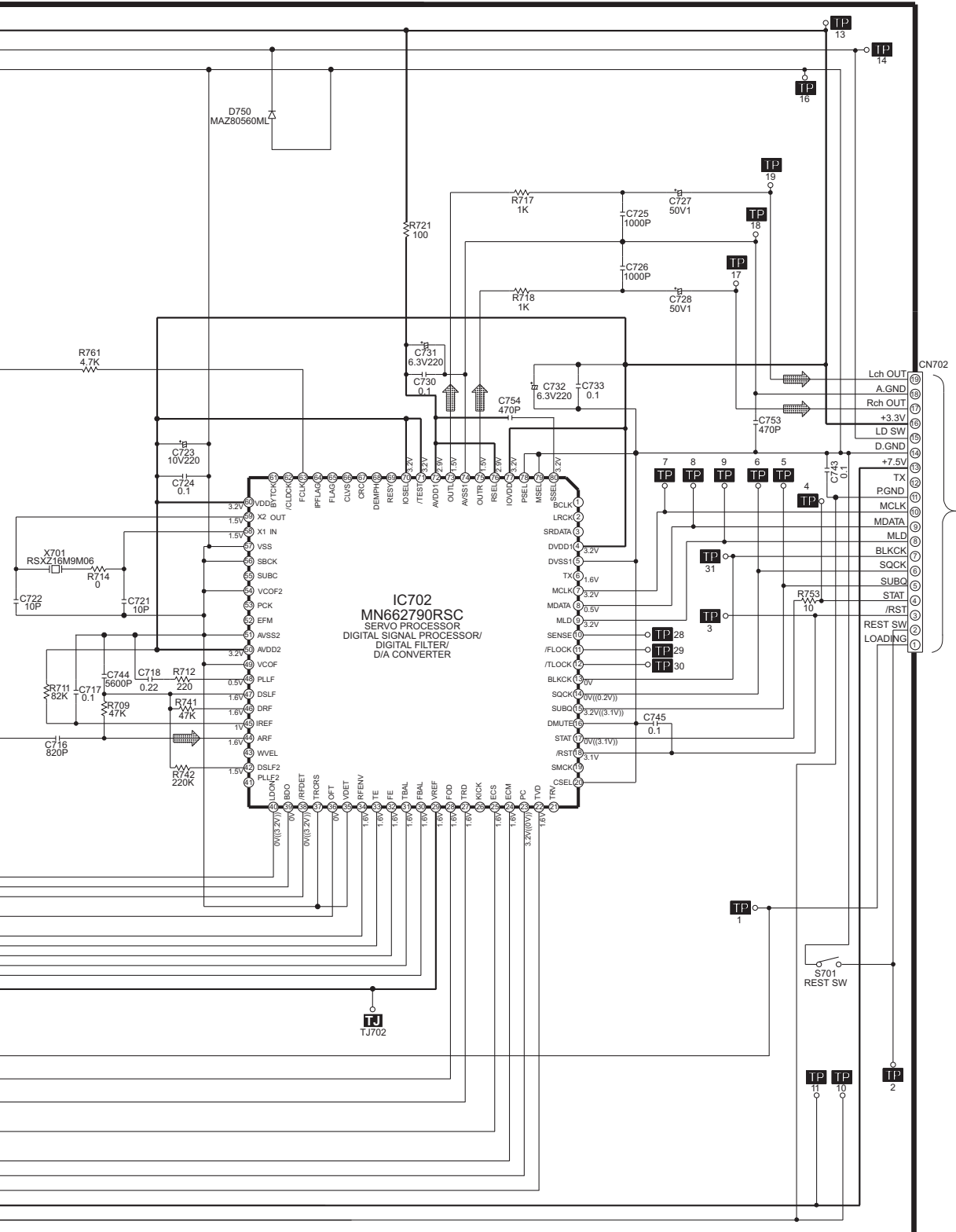
A CD SERVO CIRCUIT — : +B SIGNAL LINE ⇨ : CD SIGNAL LINE



SCHEMATIC DIAGRAM - 2

A CD SERVO CIRCUIT

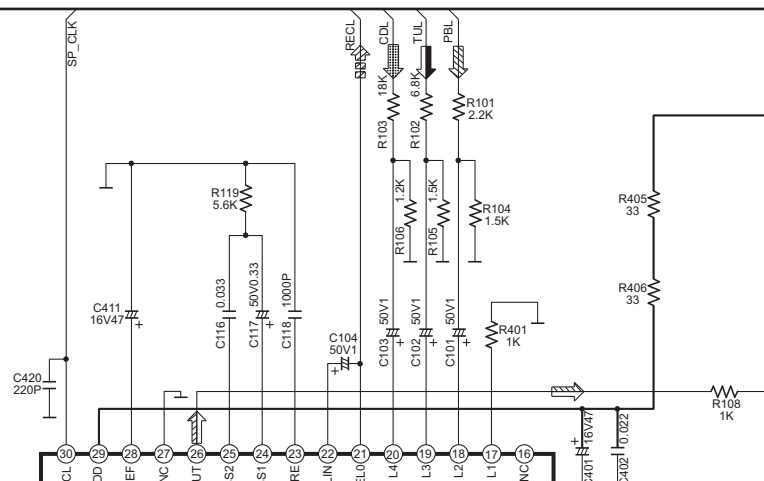
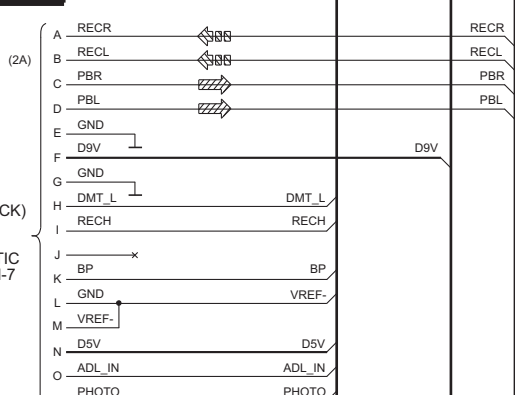
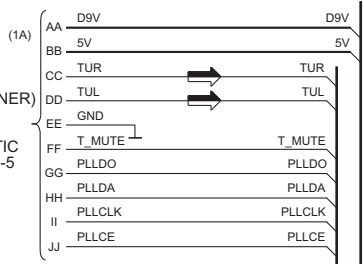
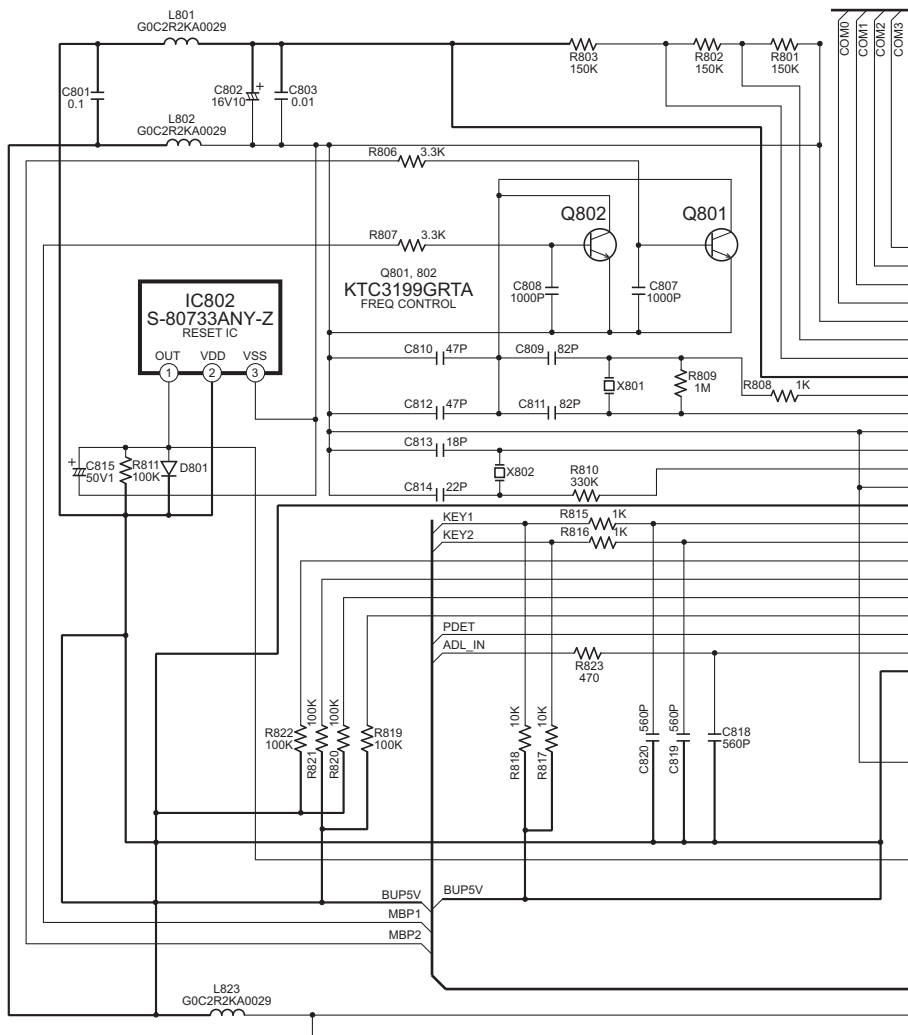
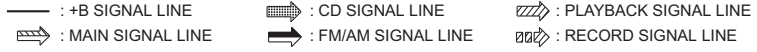
— : +B SIGNAL LINE : CD SIGNAL LINE



B
TO MAIN CIRCUIT
(CS801) ON
SCHEMATIC
DIAGRAM-3

SCHEMATIC DIAGRAM-3

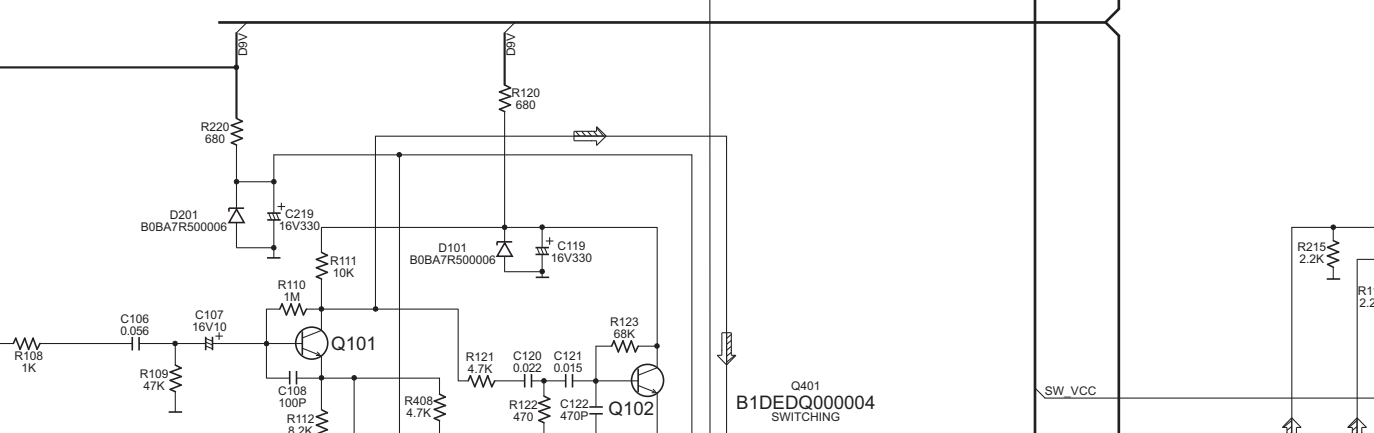
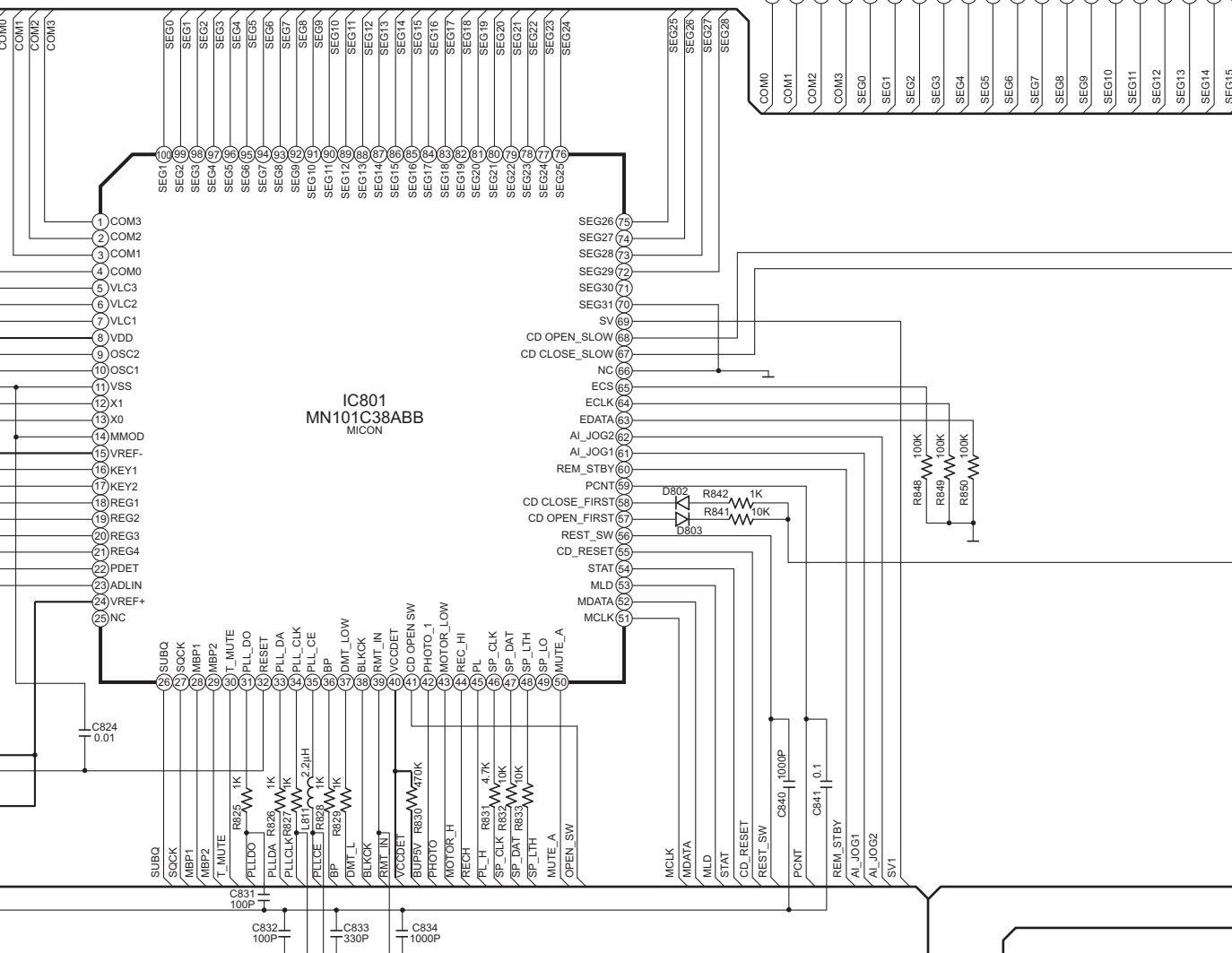
B MAIN CIRCUIT



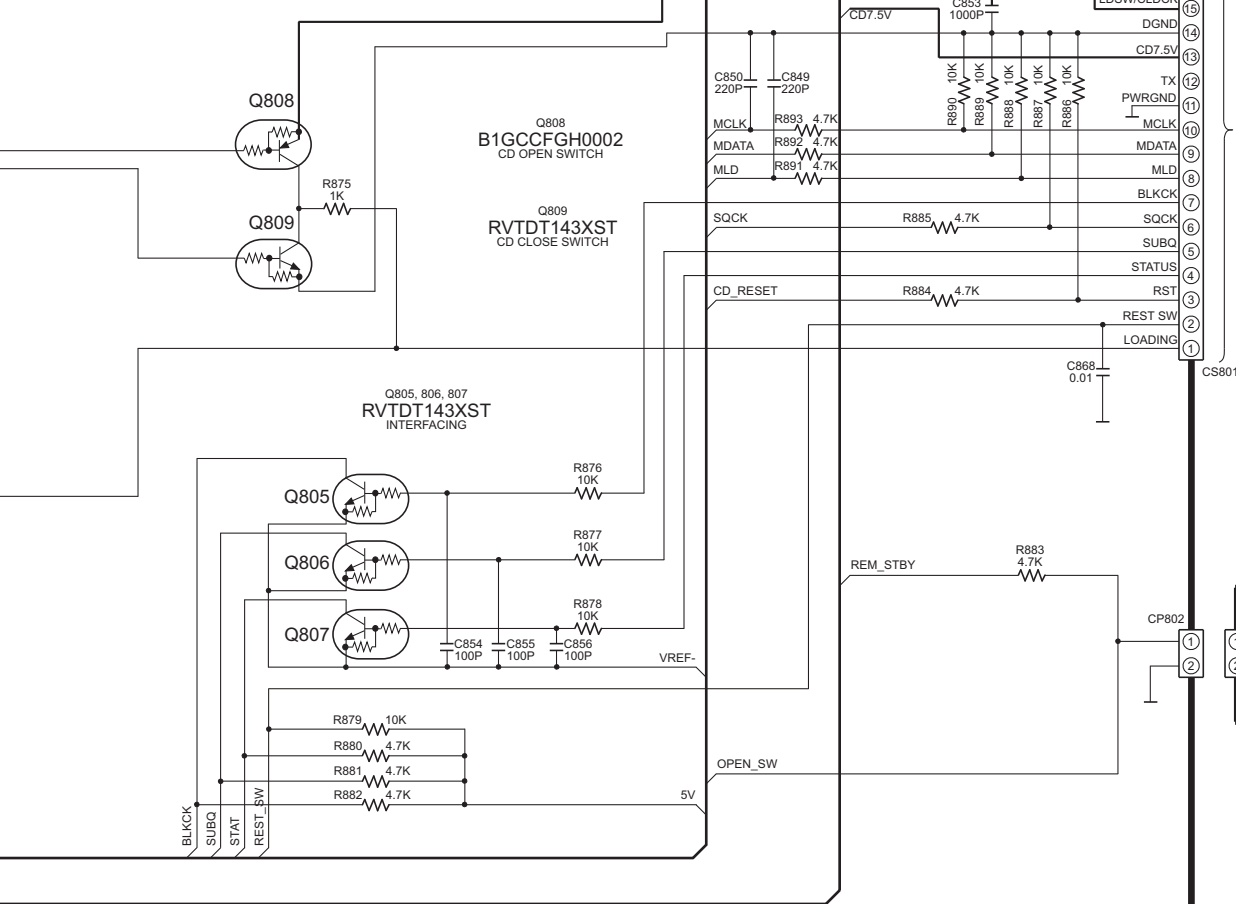
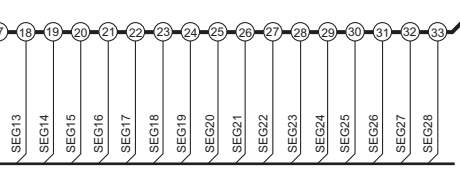
TO MAIN (TUNER) CIRCUIT (1B) ON SCHEMATIC DIAGRAM-5

TO MAIN (DECK) CIRCUIT (2B) ON SCHEMATIC DIAGRAM-7

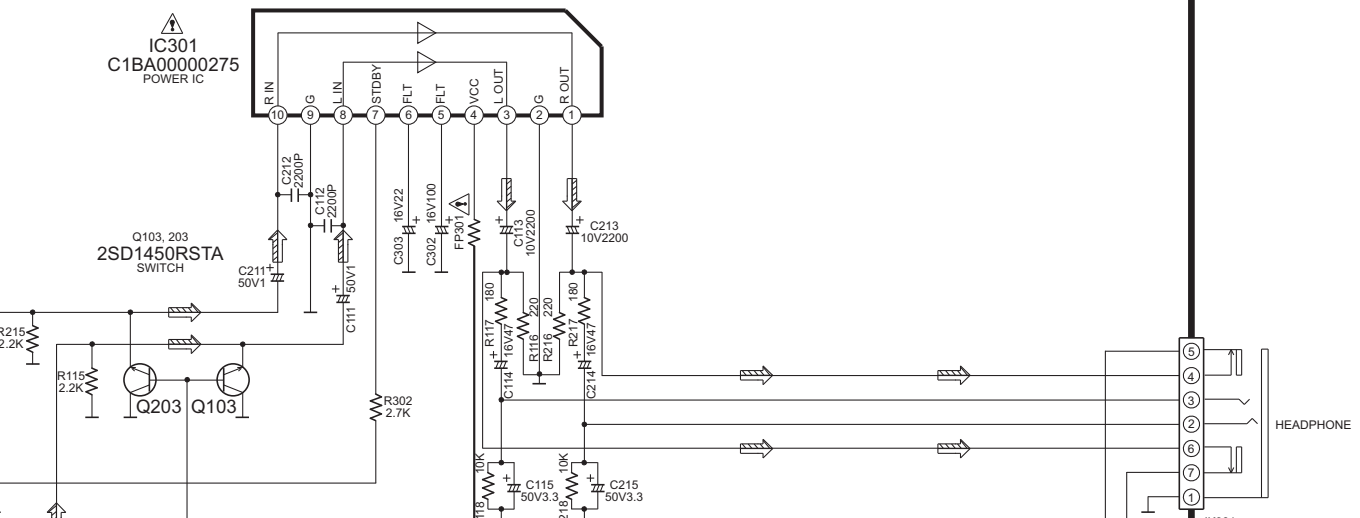
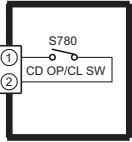
Z801
A2ZZ00000034
LCD

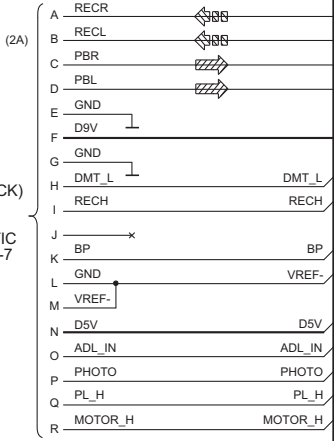


00034

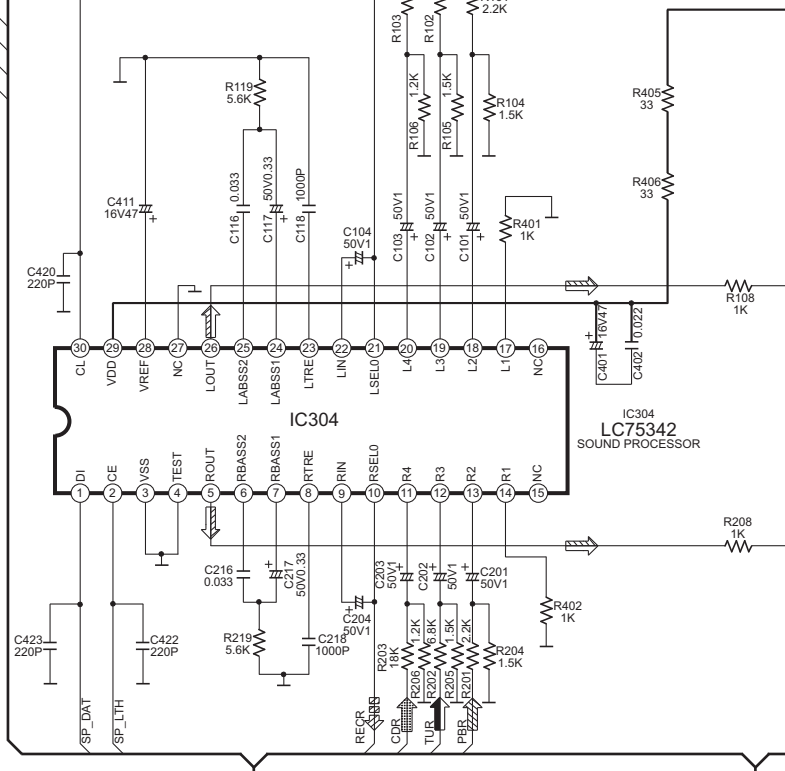


A
TO CD SERVO
CIRCUIT
(CN702) ON
SCHEMATIC
DIAGRAM-2

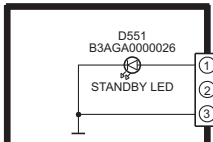
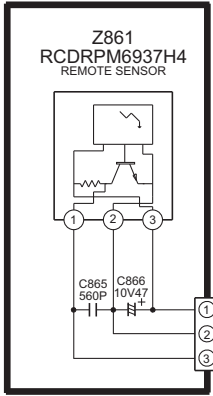




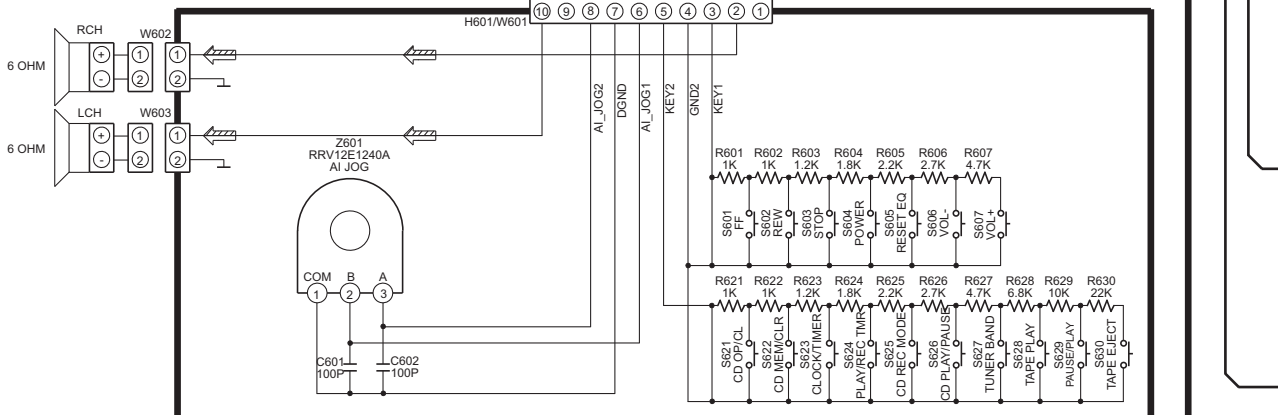
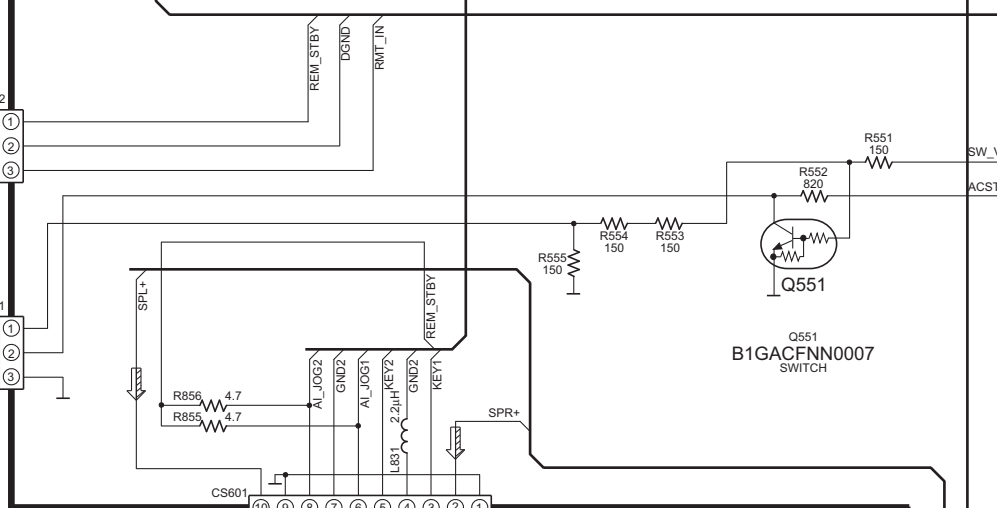
TO MAIN (DECK) CIRCUIT (2B) ON SCHEMATIC DIAGRAM-7



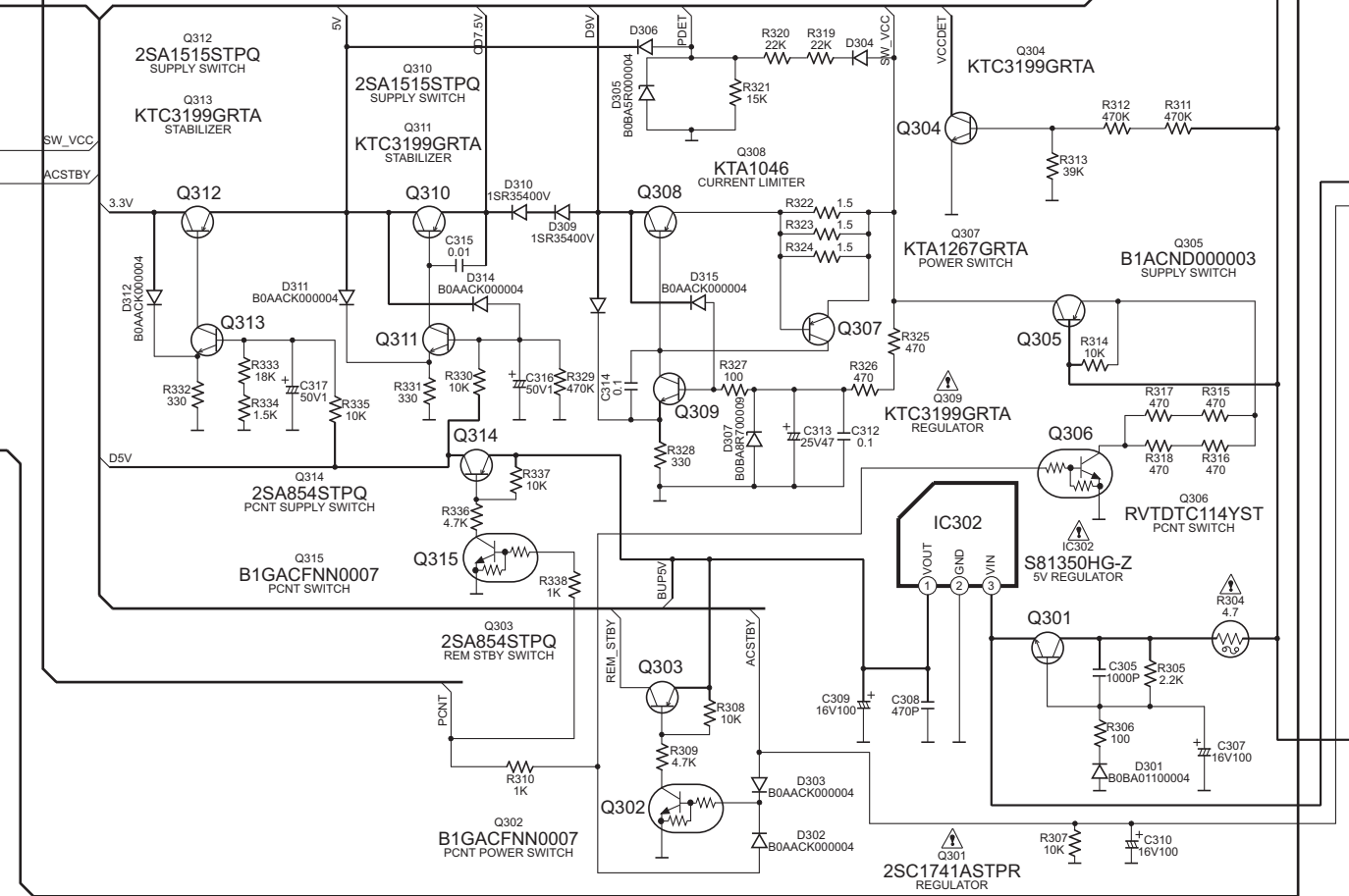
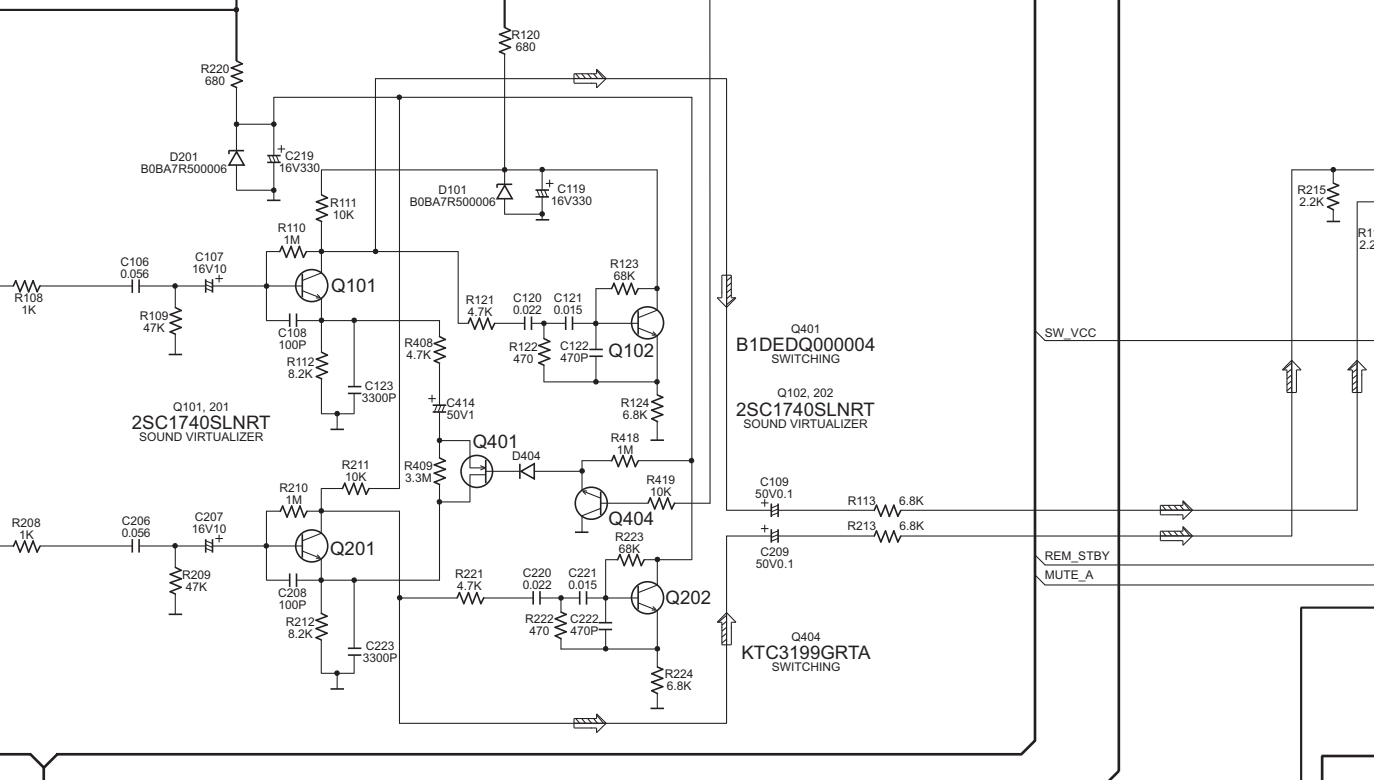
H SENSOR CIRCUIT

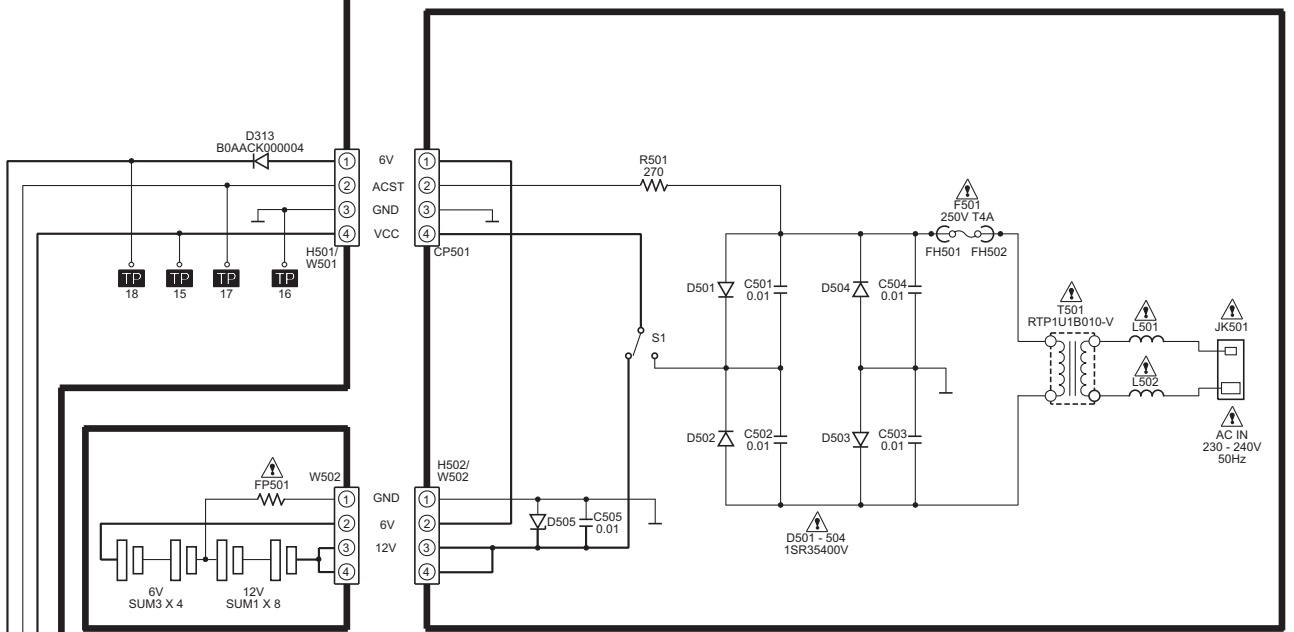
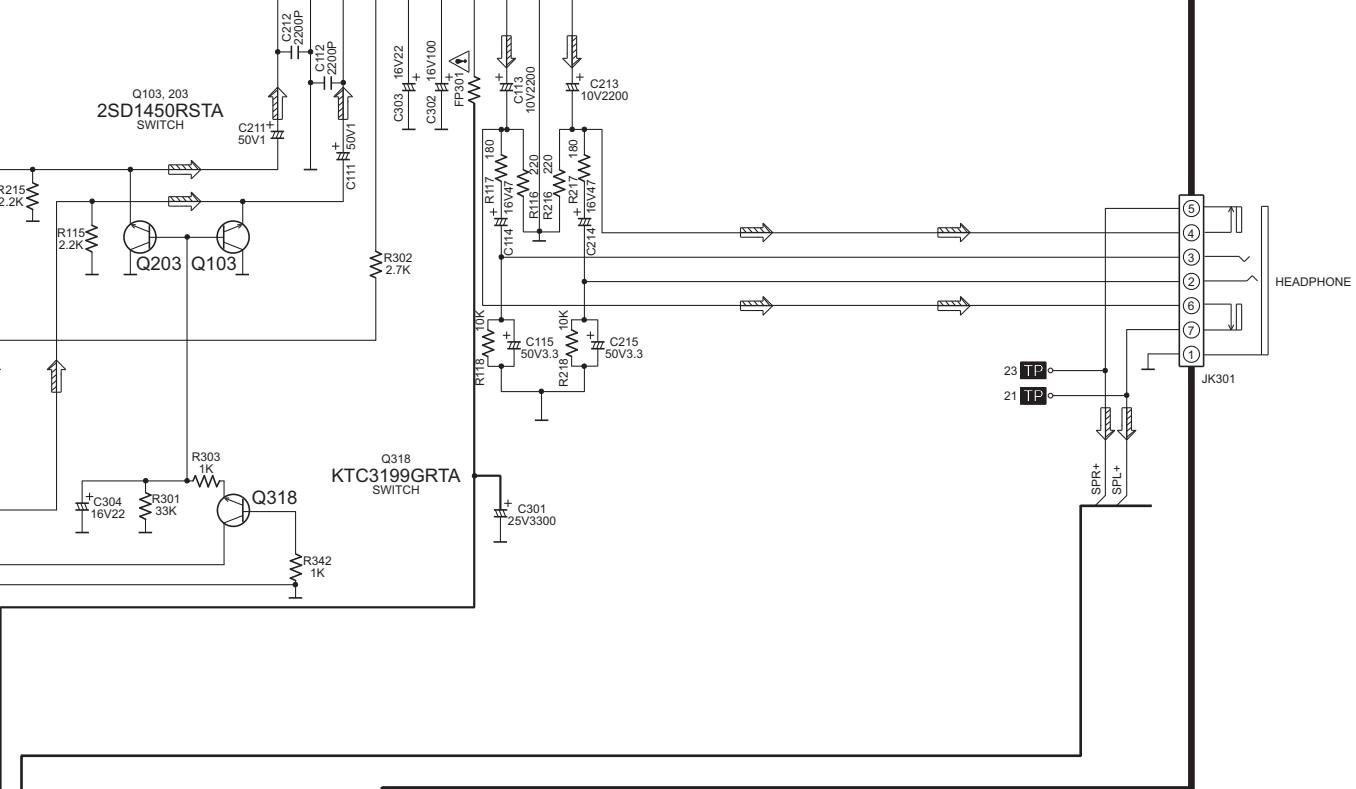


E POWER-ON CIRCUIT



C PANEL CIRCUIT







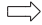


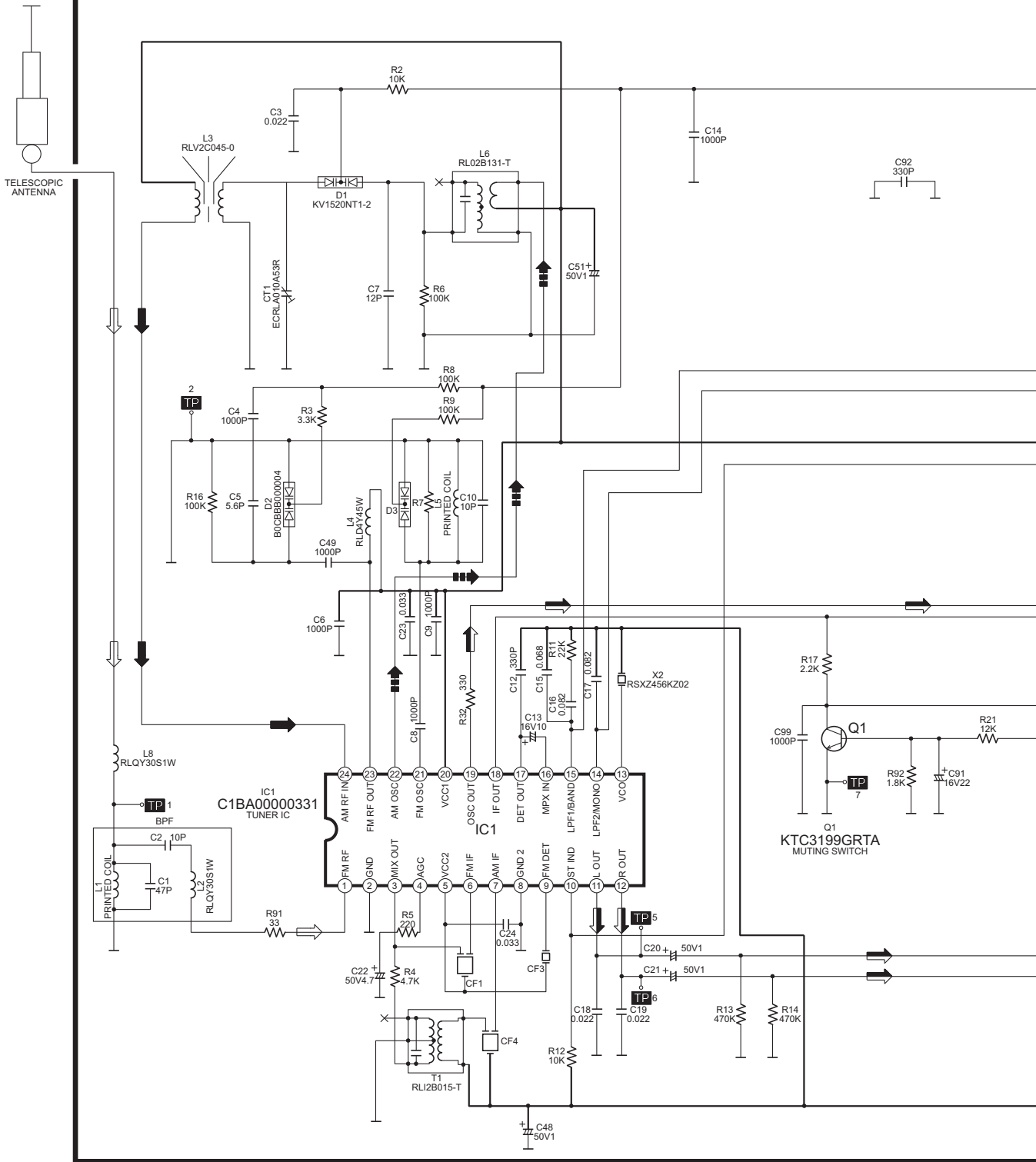
F BATTERY
CIRCUIT

G POWER
CIRCUIT

SCHEMATIC DIAGRAM - 4

B MAIN (TUNER) CIRCUIT

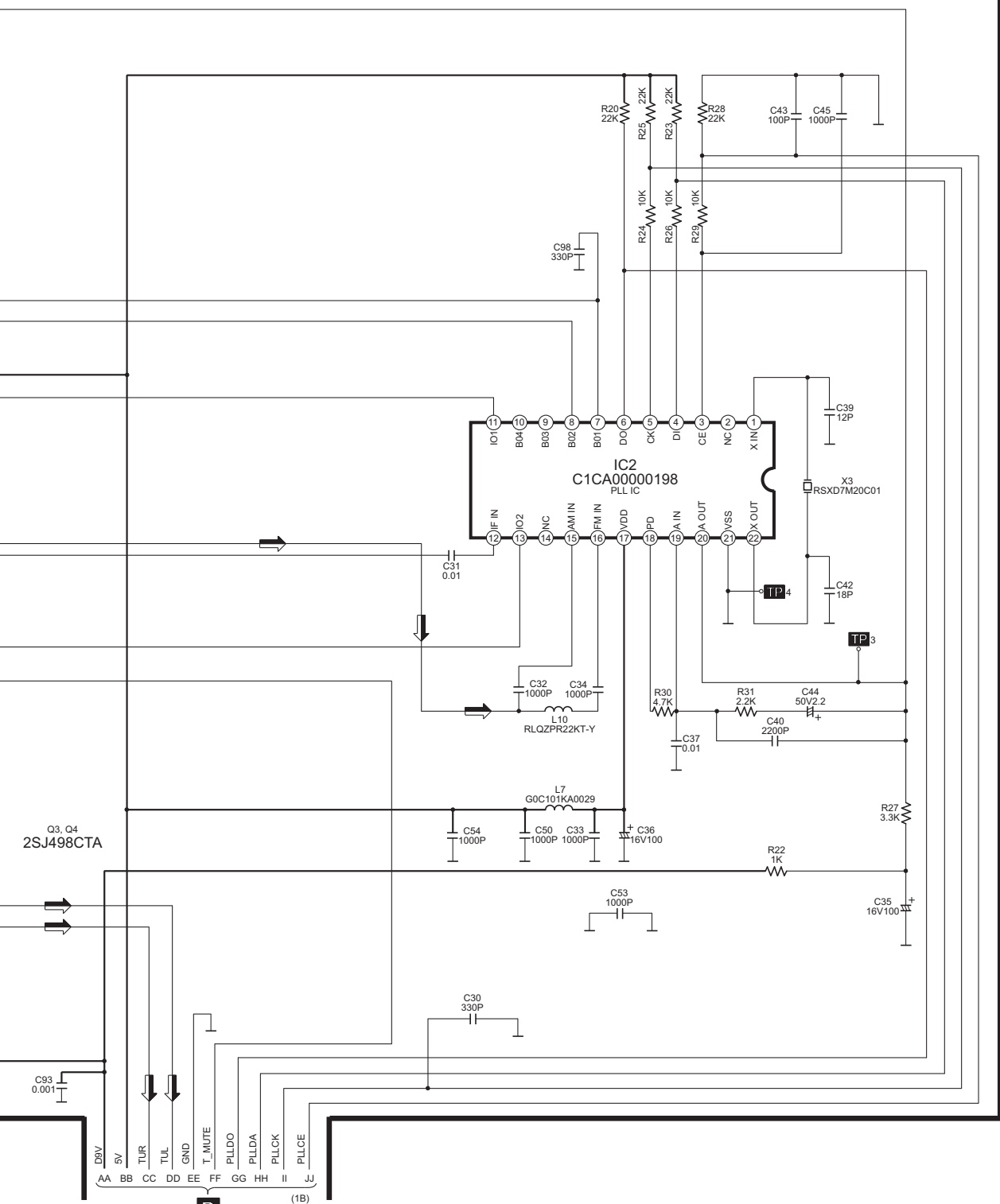
 : FM/AM SIGNAL LINE
 : AM SIGNAL LINE
 : +B SIGNAL LINE
 : AM OSC SIGNAL LINE
 : FM OSC SIGNAL LINE



SCHEMATIC DIAGRAM - 5

B MAIN (TUNER) CIRCUIT

→ : FM/AM SIGNAL LINE
 — : +B SIGNAL LINE

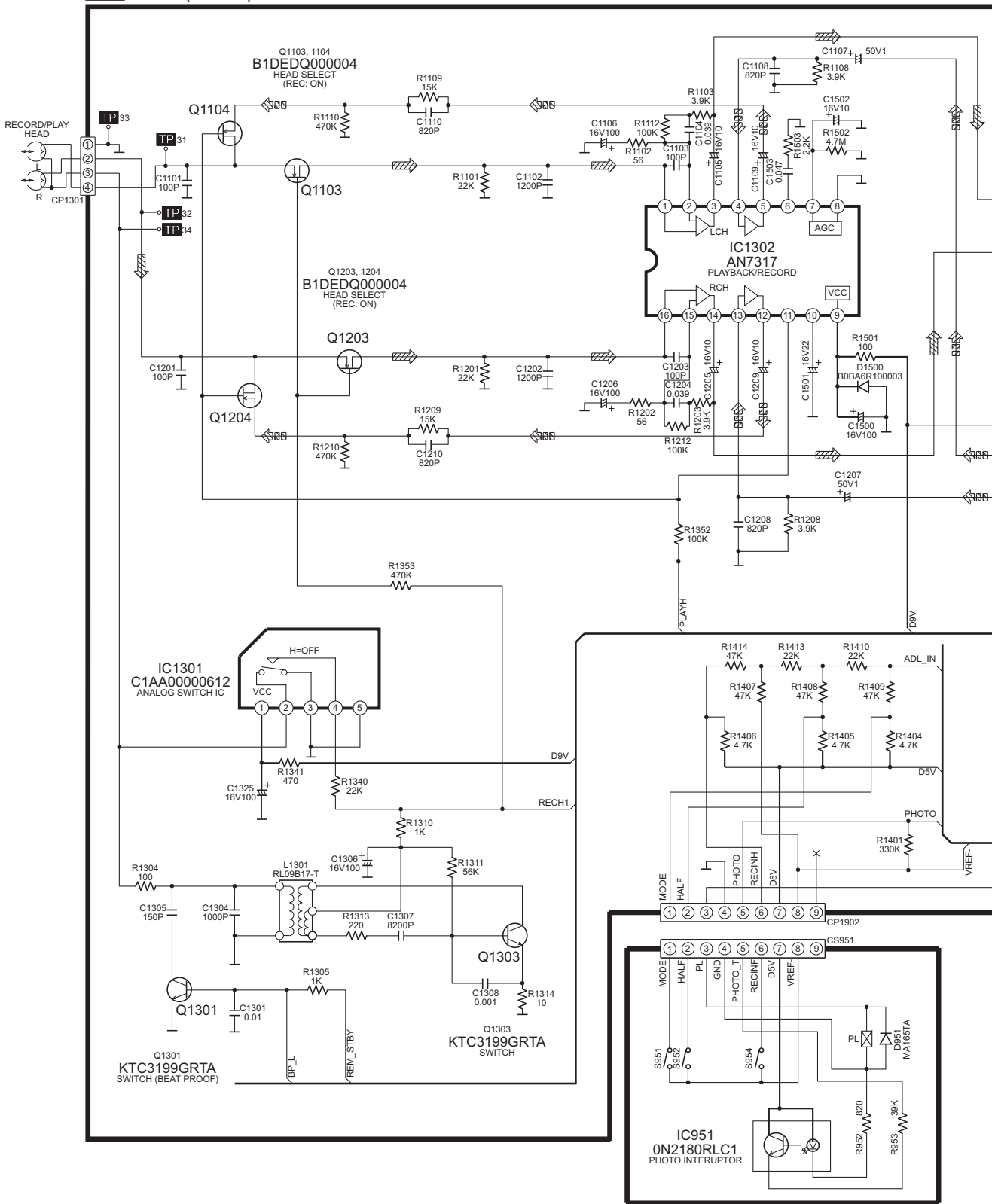


TO **B** MAIN CIRCUIT (1A) ON SCHEMATIC DIAGRAM-3

SCHEMATIC DIAGRAM-6

B MAIN (DECK) CIRCUIT

Legend: : PLAYBACK SIGNAL LINE
 : +B SIGNAL LINE
 : +B SIGNAL LINE



D DECK MECHANISM CIRCUIT