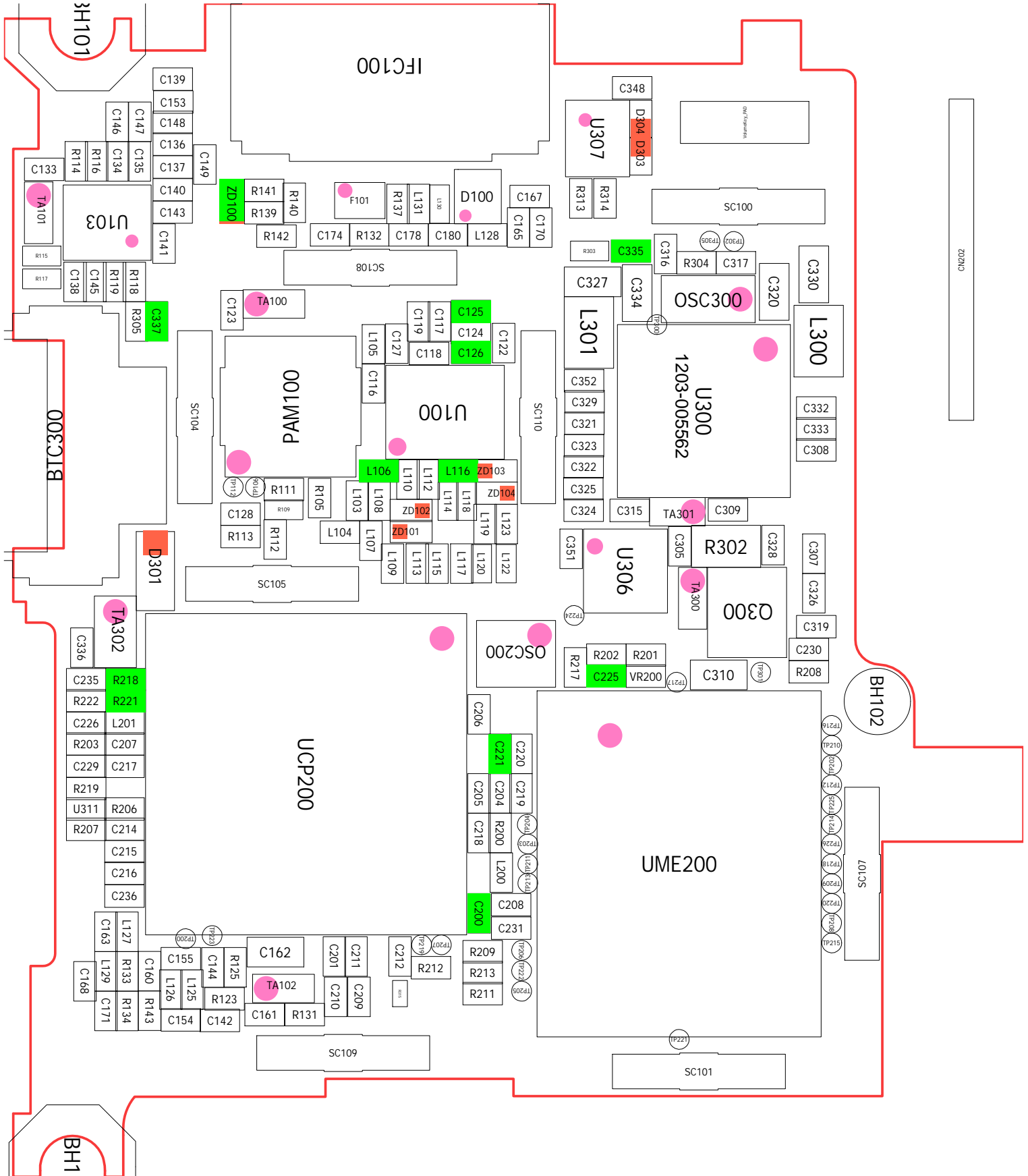
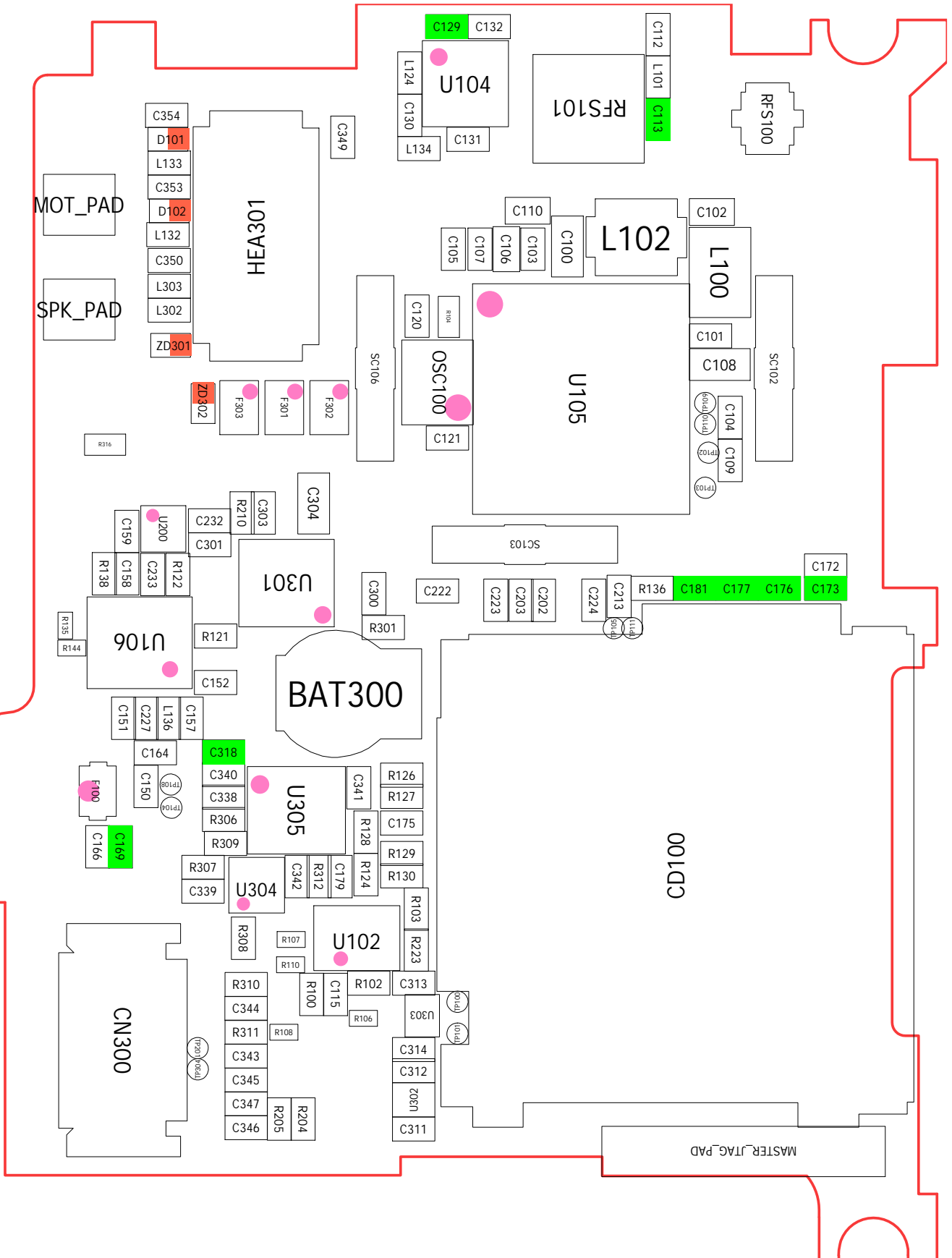




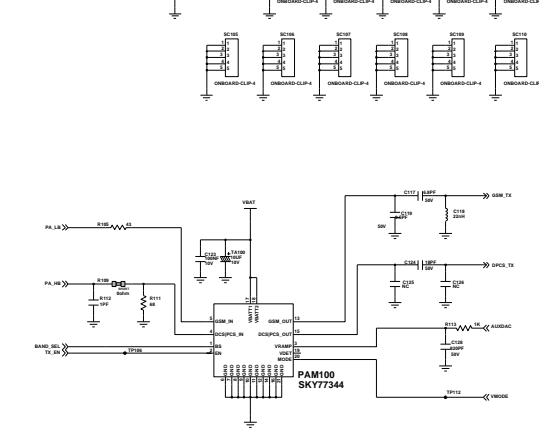
Model :
 Revision :
 Manufacture Count :
 Charge :
 Contact :
 Date :
 Routing :
 Resin :



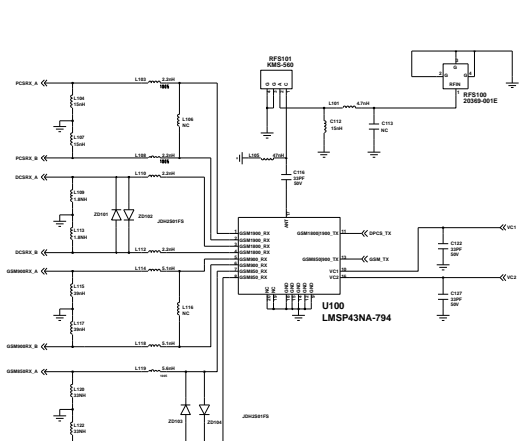
Model :
Revision :
Manufacture Count :
Charge :
Contact :
Date :
Routing :
Resin :



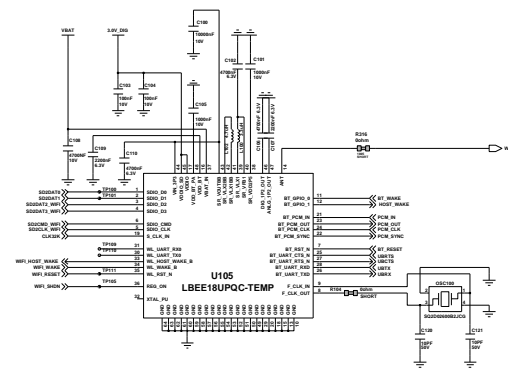
SAMSUNG PROPRIETARY
 THIS DOCUMENT CONTAINS CONFIDENTIAL
 SAMSUNG ELECTRONICS CO.'S PROPERTY.
 NO DISCLOSURE TO OR REPRODUCTION FOR OTHERS
 IS PERMITTED WITHOUT THE EXPRESS WRITTEN
 PERMISSION OF SAMSUNG ELECTRONICS CO.



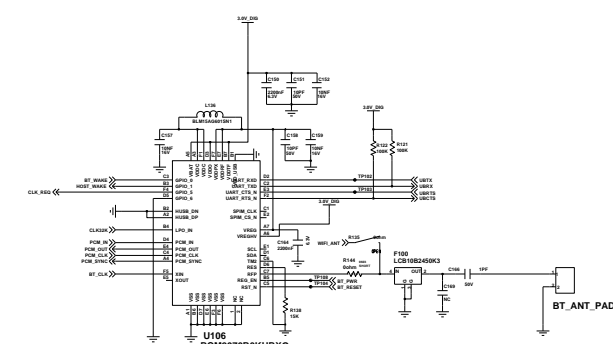
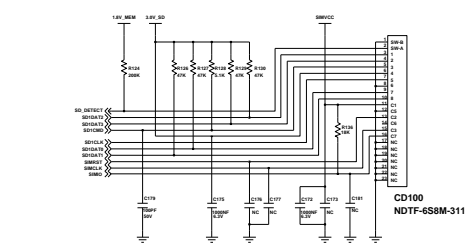
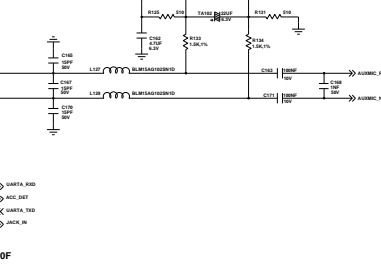
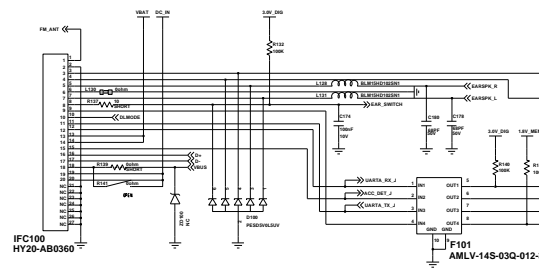
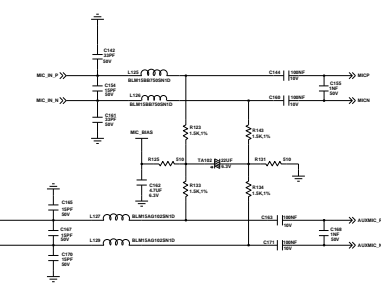
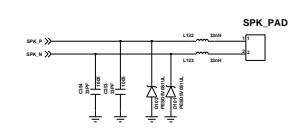
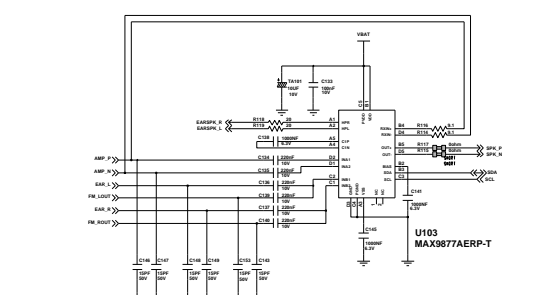
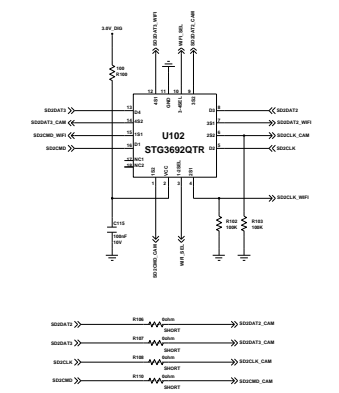
PAM



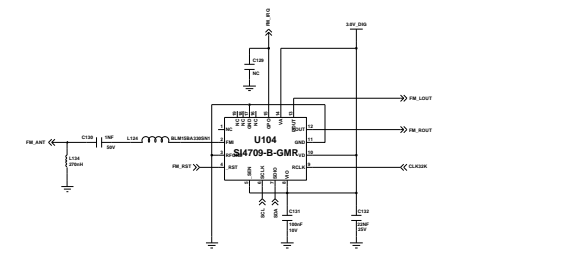
ANT / FEM



WIFI



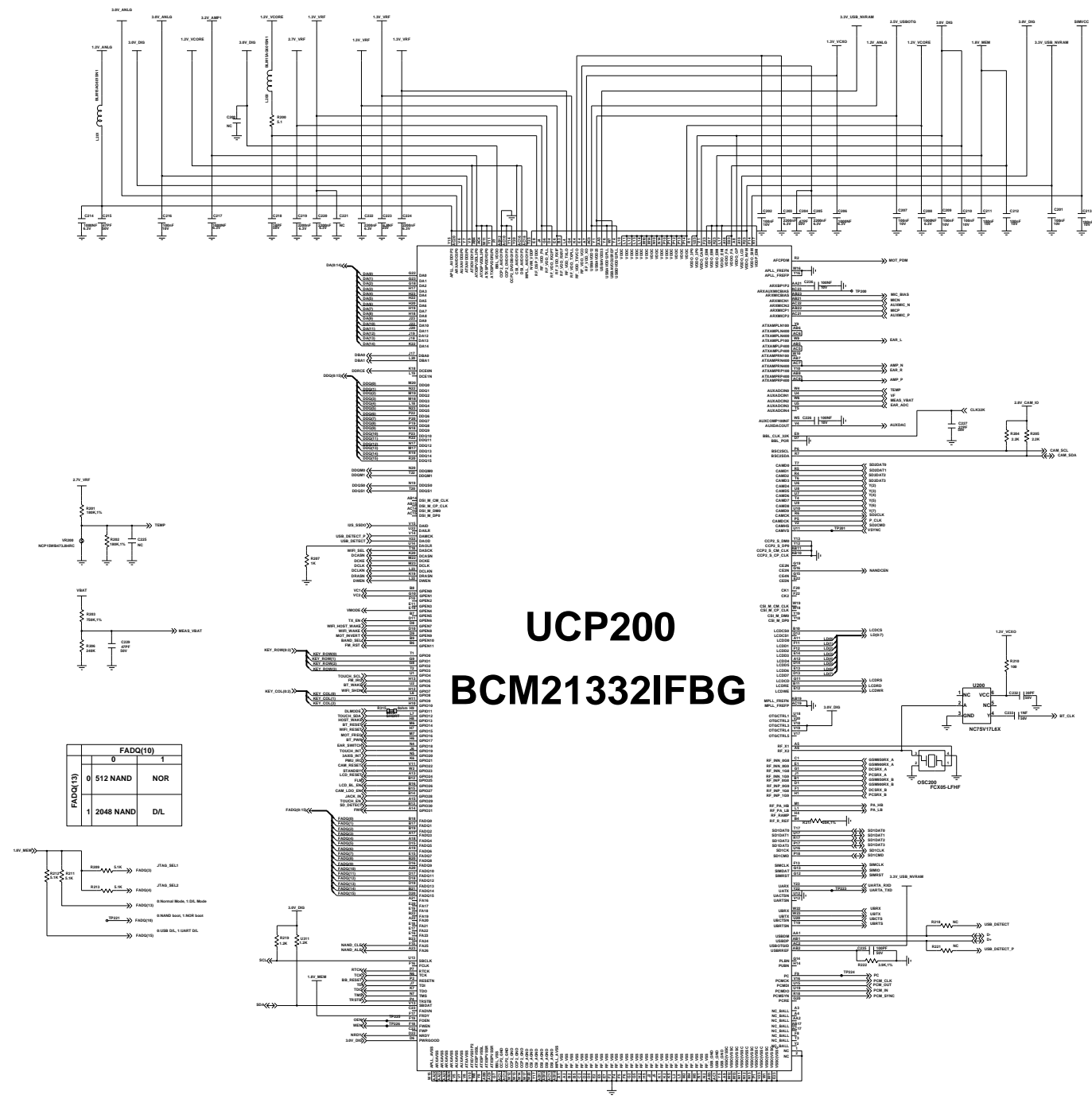
BLUETOOTH



FM RADIO

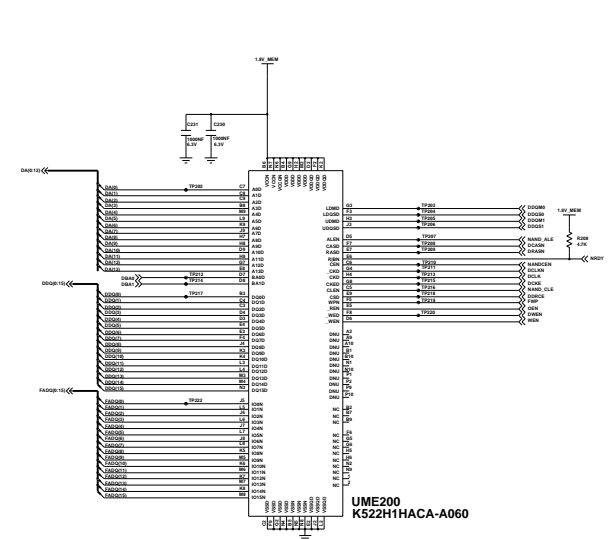
RF & INTERFACE	
Part No.	GT-S5230 REV.03A
Rev.	3.0
Date	2010.08.10
Author	RF & Interface
Checker	RF & Interface
Appr.	RF & Interface

SAMSUNG PROPRIETARY
 THIS DOCUMENT CONTAINS CONFIDENTIAL
 INFORMATION AND IS THE PROPERTY OF
 SAMSUNG ELECTRONICS CO. ANY DISCLOSURE OR
 REPRODUCTION OF OR CONTENTS FROM OTHERS
 WITHOUT PERMISSION IS STRICTLY PROHIBITED.
 © 2012 SAMSUNG ELECTRONICS CO. ALL RIGHTS RESERVED.

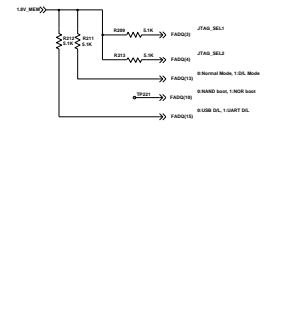


UCP200 BCM21332IFBG

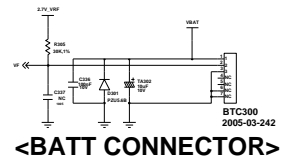
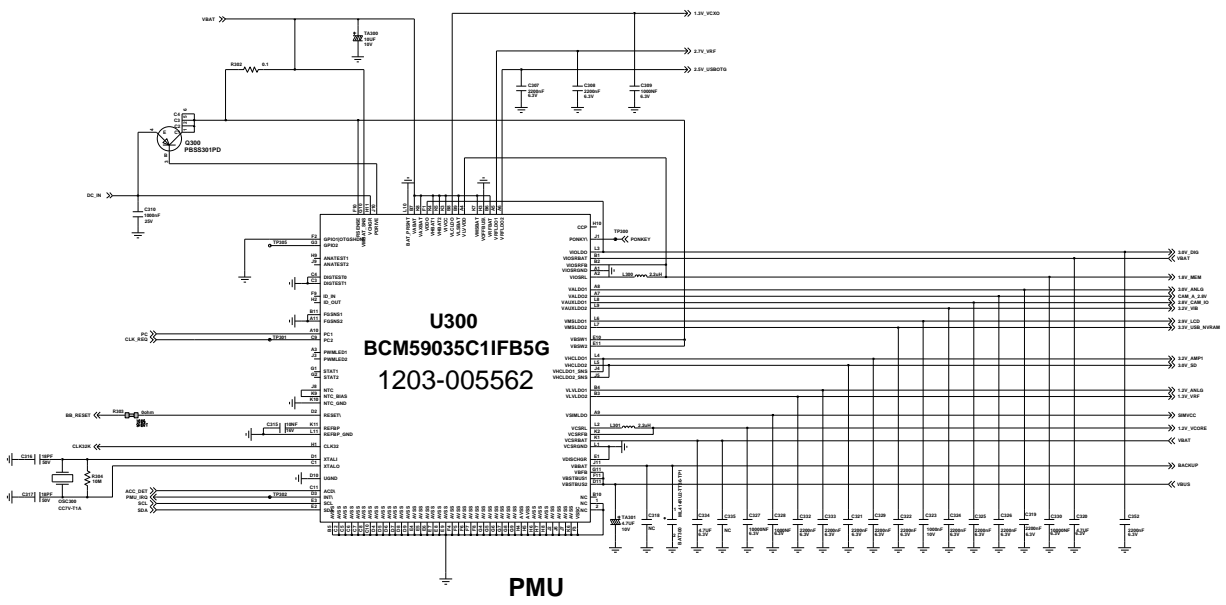
		FADQ(10)	
		0	1
FADQ(13)	0	512 NAND	NOR
	1	2048 NAND	D/L



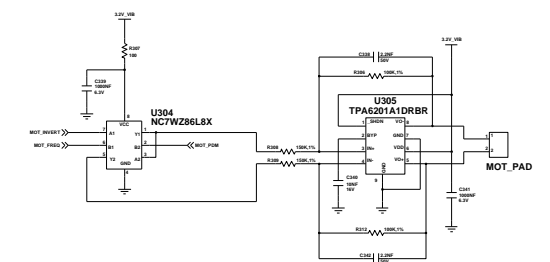
MEMORY (Large Block NAND) (2Gb NAND + 1GB DDR SDRAM)



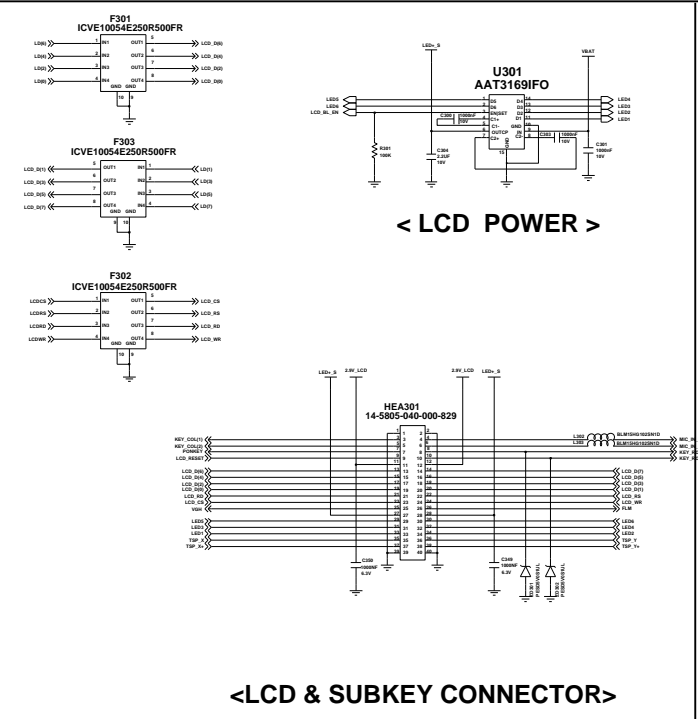
SAMSUNG PROPRIETARY
 THIS DOCUMENT CONTAINS CONFIDENTIAL
 INFORMATION AND IS THE PROPERTY OF
 SAMSUNG ELECTRONICS CO., LTD.
 NO PART OF THIS DOCUMENT IS TO BE
 REPRODUCED OR DISCLOSED TO ANY OTHERS
 WITHOUT THE EXPRESS WRITTEN
 PERMISSION OF SAMSUNG ELECTRONICS CO., LTD.



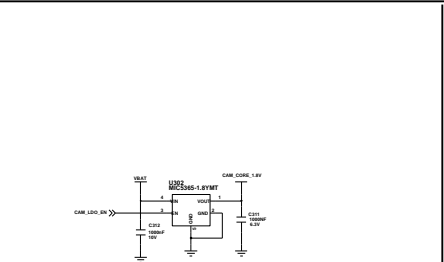
<BATT CONNECTOR>



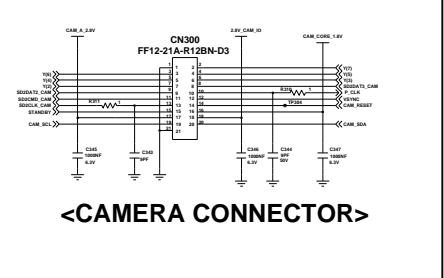
< Motor Driving IC >



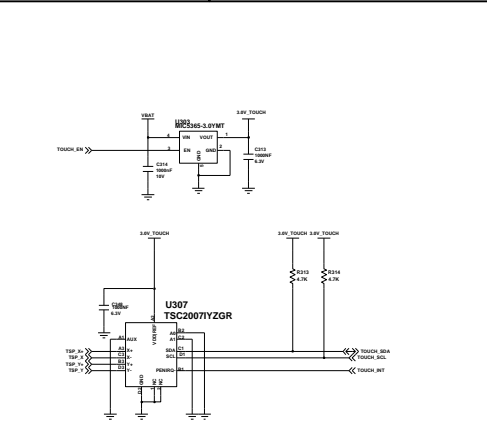
<LCD & SUBKEY CONNECTOR>



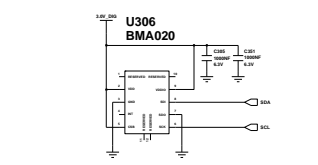
< CAMERA POWER >



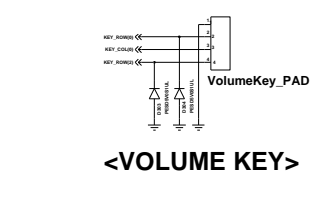
<CAMERA CONNECTOR>



< TOUCH IC >



<3AXIS SENSOR >



<VOLUME KEY>