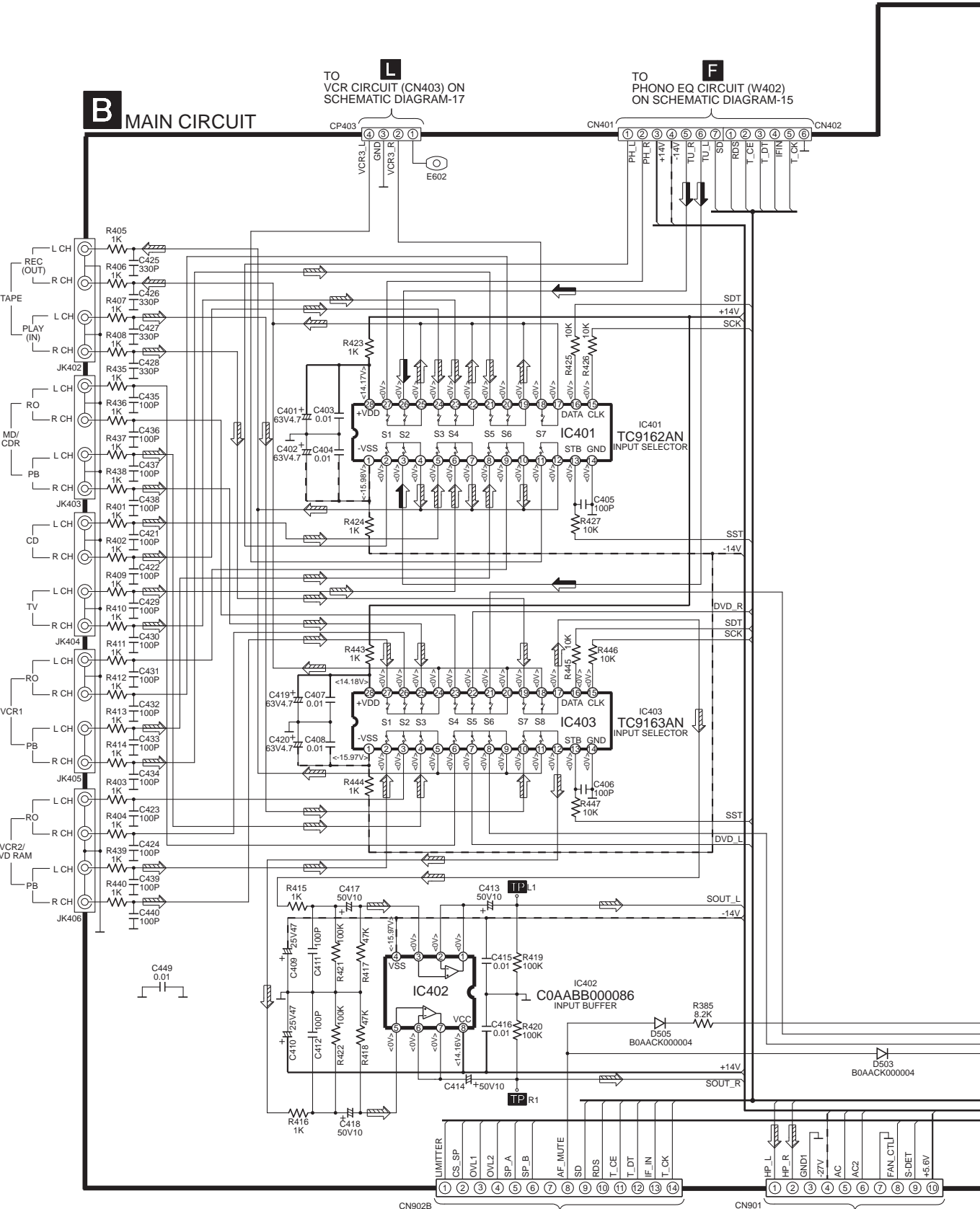


SCHEMATIC DIAGRAM-9

— : +B SIGNAL LINE - - - : -B SIGNAL LINE ➡ : FM/AM SIGNAL LINE ➡ : MAIN SIGNAL LINE



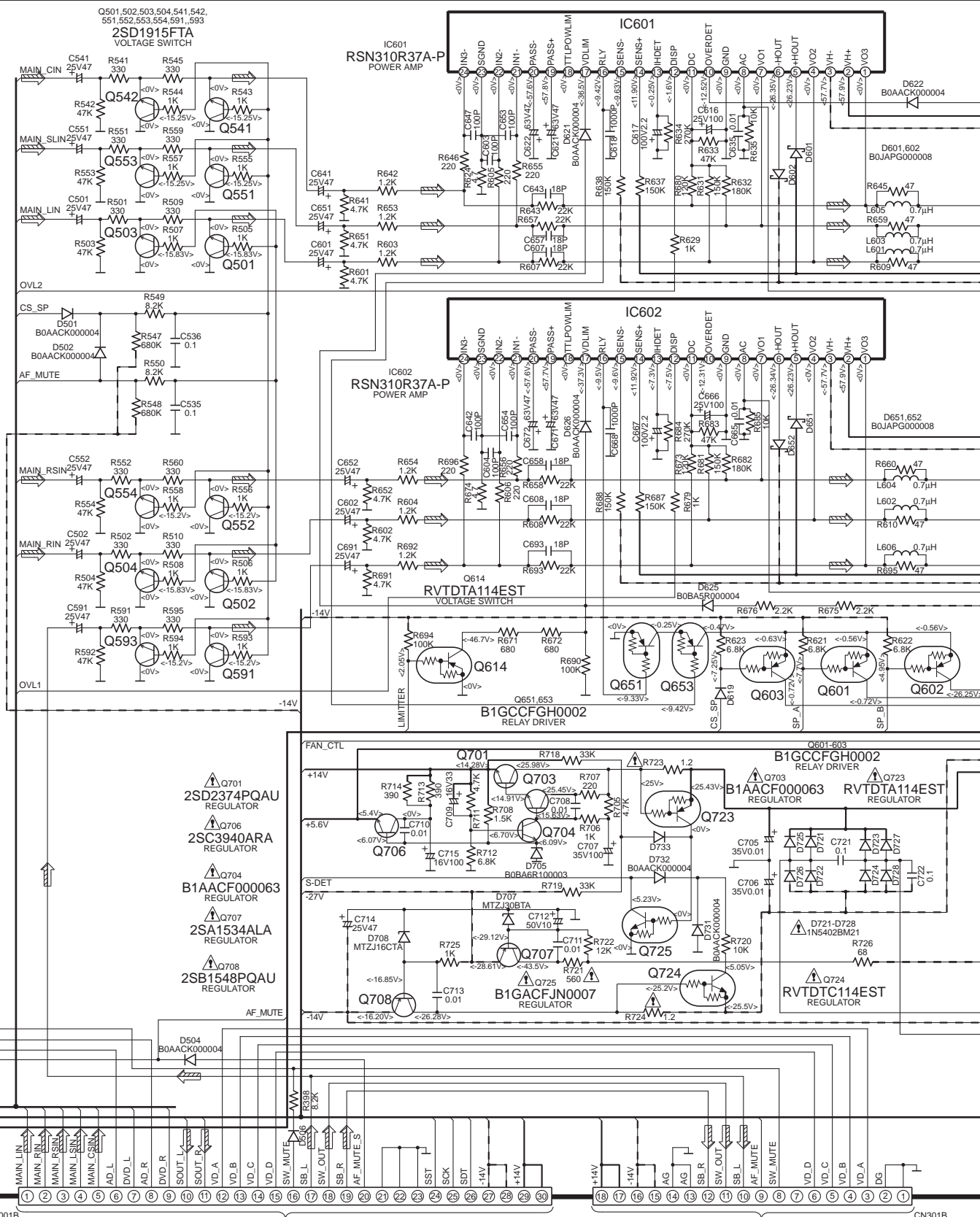
TO PANEL CIRCUIT (CN902A) ON SCHEMATIC DIAGRAM-12

TO PANEL CIRCUIT (CP901) ON SCHEMATIC DIAGRAM-12

SCHEMATIC DIAGRAM - 20

— : +B SIGNAL LINE - - - : -B SIGNAL LINE ⇨ : MAIN SIGNAL LINE

B MAIN CIRCUIT



A
TO DIGITAL CIRCUIT
(CN1001A) ON
SCHEMATIC DIAGRAM-4

M
TO VIDEO CIRCUIT
(CN301A) ON
SCHEMATIC DIAGRAM-19

SCHEMATIC DIAGRAM-11

— : +B SIGNAL LINE - - - : -B SIGNAL LINE ⇨ : MAIN SIGNAL LINE

B MAIN CIRCUIT

