

ADJUSTMENT

■ Safety Precautions

1. It is safe to adjust after using insulating transformer between the power supply line and chassis input to prevent the risk of electric shock and protect the instrument.
2. Never disconnect leads while the TV receiver is on.
3. Don't short any portion of circuits while power is on.
4. The adjustment must be done by the correct appliances. But this is changeable in view of productivity.
5. Unless otherwise noted, set the line voltage to 230Vac±10%, 50Hz.

■ Test Equipment required

1. RF signal generator (with pattern generator)
2. DC Power Supply
3. Multimeter (volt meter)
4. Oscilloscope
5. Color analyzer

• RF AGC (Automatic Gain Control) Adjustment

| | |
|------------|------------------|
| Test Point | : AGC TP (J2) |
| Adjust | : Remote Control |

The RF AGC was aligned at the time of manufacture for optimum performance over a wide range conditions. Readjustment of RF AGC should not be necessary unless unusual local conditions exist, such as ;

- 1) Channel interference in a CATV system.
- 2) Picture bending and/or color beats, which are unusually due to excessive RF signal input when the receiver is too close to a transmitting tower or when the receiver is connected to an antenna distribution system where the RF signal has been amplified. In this case, the input signal should be attenuated (with pad or filter) to a satisfactory level.
- 3) Picture noise caused by "broadcast noise" or weak signal. If the broadcast is "clean" and the RF signal is at least 1mV (60dBu), the picture will be noise free in any area.

Adjusting RF AGC to one end of rotation will usually cause a relatively poor signal to noise ratio; Adjusting to the other end of rotation will usually cause a degradation of over load capabilities resulting in color beats or adjacent channel interference.

Adjustment

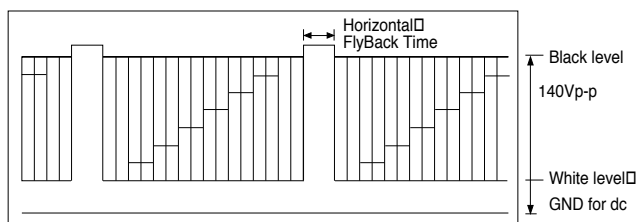
1. Connect RF signal (60dB±1dB) and turn on the TV.
2. Press OK buttons on TV set and Remote Controller at the same time to get into SVC mode.
3. Press Channel UP/DOWN button on the Remote Controller several times to find AGC ??.
4. Press Volume UP/DOWN button until the AGC Voltage is the same as the Table below.
5. Press OK(■) button to memorize the data.

| TUNER | 6700VPF002A(ALPS) | 6700VPF003B(LGEC) |
|-------------|-------------------|-------------------|
| AGC Voltage | 3.5 ± 0.1V | 2.7 ± 0.1V |

• Screen Voltage Adjustment

| | |
|------------|---------------------------------|
| Test Point | : RK (Red Cathode of CPT Board) |
| Adjust | : Screen Control of FBT |

- 1) Tune the TV set to receive a digital pattern.
- 2) Press PSM (RED) button on remote controller. (standard picture)
- 3) Connect the probe of oscilloscope to the RK (Red Cathode) of CPT Board.
- 4) Adjust Screen Volume of FBT so that the waveform is the same as below figure.



The waveform of RK(Red Cathode) of CPT Board

• Focus Adjustment

NOTE: This adjustment should be performed after warming up for 10 minutes.

| | |
|------------|------------------------|
| Test Point | : Observing Display |
| Adjust | : Focus control of FBT |

- 1) Tune the TV set to receive an inactive channel station.
- 2) Adjust the Focus control of FBT for best overall focus.

• **Deflection Data Adjustment (Line SVC-1)**

NOTE: To enter SVC mode, press "OK" buttons on both TV set and the Remote control at the same time.

1. Preparation for Deflection Adjustment

- 1) At SVC mode, press the Yellow colored button.
If the Remote Controller doesn't have the Yellow button, you should use a Service Remote Control (105-201G) and press SVC button.
And then, deflection data adjustment OSD (SVC1 mode) will be displayed.
- 2) Press Channel UP/DOWN button for desirous function Adjustment.
- 3) Press Volume UP/DOWN button to adjust the data.

2. Deflection Adjustment Procedure

- 1) **Vertical Adjustment**
Slect VS and adjust until the mechanical center of CPT and that of screen coincides and select VA and adjust to coincide the inner circle of screen with outer frame of CPT.
- 2) **Horizontal Adjustment**
Select HS and adjust until the mechanical center of CPT and that of screen coincides.
- 3) **Vertical S Correction Adjustment**
Select SC and adjust until top-bottom side pincushion are equal.
- 4) Press OK(■) button to memorize the data.

3. Deflection Initial Setup Data

| Status | Default | 21" LG | 20" LG | 14" LG | ORION 14" | ORION 16" | ORION 20" | ORION 21" |
|--------|---------|--------|--------|--------|-----------|-----------|-----------|-----------|
| VL | 34 | 34 | 34 | 34 | 34 | 34 | 34 | 34 |
| VS | 25 | 25 | 25 | 25 | 25 | 25 | 25 | 25 |
| VA | 43 | 43 | 43 | 43 | 43 | 43 | 43 | 43 |
| HS | 36 | 36 | 36 | 36 | 36 | 36 | 36 | 36 |
| SC | 10 | 10 | 10 | 5 | 5 | 5 | 5 | 5 |

• **Stereo Amp Adjustment(LINE SVC-2)**

* Real Stereo Model ONLY

| Average ADJ. Data List | | |
|------------------------|------------------|----|
| FP | FM Prescaller | 18 |
| NP | Nicam Prescaller | 72 |
| SP | Scart Prescaller | 40 |
| SV | Scart Volume | 55 |

* INABLE HOTEL TV(LIMIT VOLUME)

| | | |
|--------|-------|--|
| MAXVOL | 1-100 | |
|--------|-------|--|

• **White Balance Adjustment.(LINE SVC-0)**

NOTE : This adjustment should be performed after screen voltage adjustment.

- 1) Tune the TV set to receive an 100% white pattern.
- 2) Press OK(■) buttons on TV set and remote controller at the same time to get into SVC mode.
- 3) Press Channel UP/DOWN button for desirous function adjustment.
- 4) Adjust VOL+ or VOL- button for GG031.
- 5) Adjust VOL+ or VOL-button in each status of "Rg--"/"Bg--" for X=281±8, Y=288±8 with color analyzer.
- 6) Press OK(■) button to memorize the adjustment data.

| Status | Adjustment | Range | Initial Data | Remark |
|--------|------------|-------|--------------|--------|
| RG | R-Drive | 0~63 | 32 | |
| GG | G-Drive | 0~63 | 31 | |
| BG | B-Drive | 0~63 | 27 | |

• **Hold Down check**

Short J139 and ZD747 and check if the TV set turns into stand-by.

• **OPTION Adjustment (SVC MODE:OPTION-1, OPTION-2)**

NOTE: When the EEPROM has been replaced, the Option data should be restored as the function of individual system and specification.

- 1) Press OK buttons on both TV set and Remote Controller at the same time to get into SVC mode.
- 2) Press the Yellow button several times to find OPTION-1 or OPTION-2.
- 3) Input the correspond OPTION data referring to Table below with the numeric buttons 0~9.

Table 1. OPTION 1 Function

| Option | Code | Function | Remark |
|--------|------|------------------|---------------------------|
| SYSTEM | 00 | BG+I+DK | W/O RF 3.58(CF-, CZ-) |
| | 01 | BG+I+DK+M | with RF3.58(CT-, CD-) |
| | 10 | ONLY | Single SYSTEM(CA-) |
| | 11 | ONLY+DUAL | South East Asian DUAL |
| SCART | 0 | PHONO JACK (AV1) | |
| | 1 | SCART JACK (AV1) | with RGB Input |
| EYE | 0 | W/O EYE | |
| | 1 | with EYE | |
| UBB | 0 | W/O UBB | UBB for S-MAX(MONO) MODEL |
| | 1 | with UBB | |
| AV2 | 0 | W/O AV2 (Front) | TOOL Option |
| | 1 | with AV2 (Front) | |

Table 2. Specifications for OPTION-1 data

| OPTION Data | SYSTEM | SCART | EYE | UBB | AV2 |
|-------------|--------|-------|-----|-----|-----|
| 0 | 00 | 0 | 0 | 0 | 0 |
| 1 | 00 | 0 | 0 | 0 | 1 |
| 2 | 00 | 0 | 0 | 1 | 0 |
| 3 | 00 | 0 | 0 | 1 | 1 |
| 4 | 00 | 0 | 1 | 0 | 0 |
| 5 | 00 | 0 | 1 | 0 | 1 |
| 6 | 00 | 0 | 1 | 1 | 0 |
| 7 | 00 | 0 | 1 | 1 | 1 |
| 8 | 00 | 1 | 0 | 0 | 0 |
| 9 | 00 | 1 | 0 | 0 | 1 |
| 10 | 00 | 1 | 0 | 1 | 0 |
| 11 | 00 | 1 | 0 | 1 | 1 |
| 12 | 00 | 1 | 1 | 0 | 0 |
| 13 | 00 | 1 | 1 | 0 | 1 |
| 14 | 00 | 1 | 1 | 1 | 0 |
| 15 | 00 | 1 | 1 | 1 | 1 |
| 16 | 01 | 0 | 0 | 0 | 0 |
| 17 | 01 | 0 | 0 | 0 | 1 |
| 18 | 01 | 0 | 0 | 1 | 0 |
| 19 | 01 | 0 | 0 | 1 | 1 |

| OPTION Data | SYSTEM | SCART | EYE | UBB | AV2 |
|-------------|--------|-------|-----|-----|-----|
| 20 | 01 | 0 | 1 | 0 | 0 |
| 21 | 01 | 0 | 1 | 0 | 1 |
| 22 | 01 | 0 | 1 | 1 | 0 |
| 23 | 01 | 0 | 1 | 1 | 1 |
| 24 | 01 | 1 | 0 | 0 | 0 |
| 25 | 01 | 1 | 0 | 0 | 1 |
| 26 | 01 | 1 | 0 | 1 | 0 |
| 27 | 01 | 1 | 0 | 1 | 1 |
| 28 | 01 | 1 | 1 | 0 | 0 |
| 29 | 01 | 1 | 1 | 0 | 1 |
| 30 | 01 | 1 | 1 | 1 | 0 |
| 31 | 01 | 1 | 1 | 1 | 1 |
| 32 | 10 | 0 | 0 | 0 | 0 |
| 33 | 10 | 0 | 0 | 0 | 1 |
| 34 | 10 | 0 | 0 | 1 | 0 |
| 35 | 10 | 0 | 0 | 1 | 1 |
| 36 | 10 | 0 | 1 | 0 | 0 |
| 37 | 10 | 0 | 1 | 0 | 1 |
| 38 | 10 | 0 | 1 | 1 | 0 |
| 39 | 10 | 0 | 1 | 1 | 1 |
| 40 | 10 | 1 | 0 | 0 | 0 |
| 41 | 10 | 1 | 0 | 0 | 1 |
| 42 | 10 | 1 | 0 | 1 | 0 |
| 43 | 10 | 1 | 0 | 1 | 1 |
| 44 | 10 | 1 | 1 | 0 | 0 |
| 45 | 10 | 1 | 1 | 0 | 1 |
| 46 | 10 | 1 | 1 | 1 | 0 |
| 47 | 10 | 1 | 1 | 1 | 1 |
| 48 | 11 | 0 | 0 | 0 | 0 |
| 49 | 11 | 0 | 0 | 0 | 1 |
| 50 | 11 | 0 | 0 | 1 | 0 |
| 51 | 11 | 0 | 0 | 1 | 1 |
| 52 | 11 | 0 | 1 | 0 | 0 |
| 53 | 11 | 0 | 1 | 0 | 1 |
| 54 | 11 | 0 | 1 | 1 | 0 |
| 55 | 11 | 0 | 1 | 1 | 1 |
| 56 | 11 | 1 | 0 | 0 | 0 |
| 57 | 11 | 1 | 0 | 0 | 1 |
| 58 | 11 | 1 | 0 | 1 | 0 |
| 59 | 11 | 1 | 0 | 1 | 1 |
| 60 | 11 | 1 | 1 | 0 | 0 |
| 61 | 11 | 1 | 1 | 0 | 1 |
| 62 | 11 | 1 | 1 | 1 | 0 |
| 63 | 11 | 1 | 1 | 1 | 1 |

Table 3. OPTION 2 Function

| Option | Code | Function | Remark |
|--------|------|----------------------|---|
| FFI | 0 | Normal Condition | Fast Filter IF-PLL (for excessive RF signal) |
| | 1 | FFI Active | |
| CHINA | 0 | W/O Chinese NICAM | Chinese Model only |
| | 1 | Chinese NICAM | |
| LANG. | M | Multi Language (M=0) | Language varies by MICOM Part No. |
| | E | English Only (E=1) | |
| HOTEL | 0 | W/O HOTEL | for Buyer 's request |
| | 1 | For HOTEL | |
| GAME | 0 | W/O GAME | POWER BALL |
| | 1 | With GAME function | |

Table 4. Specifications for OPTION-2 data

| OPTION Data | FFI | CHINA | LANG. | HOTEL | GAME |
|-------------|-----|-------|-------|-------|------|
| 0 | 0 | 0 | M | 0 | 0 |
| 1 | 0 | 0 | M | 0 | 1 |
| 2 | 0 | 0 | M | 1 | 0 |
| 3 | 0 | 0 | M | 1 | 1 |
| 4 | 0 | 0 | E | 0 | 0 |
| 5 | 0 | 0 | E | 0 | 1 |
| 6 | 0 | 0 | E | 1 | 0 |
| 7 | 0 | 0 | E | 1 | 1 |
| 8 | 0 | 1 | M | 0 | 0 |
| 9 | 0 | 1 | M | 0 | 1 |
| 10 | 0 | 1 | M | 1 | 0 |
| 11 | 0 | 1 | M | 1 | 1 |
| 12 | 0 | 1 | E | 0 | 0 |
| 13 | 0 | 1 | E | 0 | 1 |
| 14 | 0 | 1 | E | 1 | 0 |
| 15 | 0 | 1 | E | 1 | 1 |
| 16 | 1 | 0 | M | 0 | 0 |
| 17 | 1 | 0 | M | 0 | 1 |
| 18 | 1 | 0 | M | 1 | 0 |
| 19 | 1 | 0 | M | 1 | 1 |
| 20 | 1 | 0 | E | 0 | 0 |
| 21 | 1 | 0 | E | 0 | 1 |
| 22 | 1 | 0 | E | 1 | 0 |
| 23 | 1 | 0 | E | 1 | 1 |
| 24 | 1 | 1 | M | 0 | 0 |
| 25 | 1 | 1 | M | 0 | 1 |
| 26 | 1 | 1 | M | 1 | 0 |
| 27 | 1 | 1 | M | 1 | 1 |
| 28 | 1 | 1 | E | 0 | 0 |
| 29 | 1 | 1 | E | 0 | 1 |
| 30 | 1 | 1 | E | 1 | 0 |
| 31 | 1 | 1 | E | 1 | 1 |

• HOTEL TV Mode

NOTE: This mode is useful for HOTEL TV MODEL. Dealer or HOTEL manager can use this option.
HOTEL TV FUNCTION has two powerful function

1. AFTER SELECTING HOTEL MODE, CAN NOT CHANGE INITIAL SET UP CONDITION.

- CHANNEL PROGRAM(AUTO PROGRAM, MANUAL PROGRAM, EDIT FUNCTION) and OSD LANGUAGE set up condition is fixed so the HOTEL lodger cannot change and remove initial set up data condition at his pleasure.

This function prevents HOTEL lodger from needless changing channel memory data and OSD language condition.

It will be helpful for maintaining the best suitable condition of TV SET

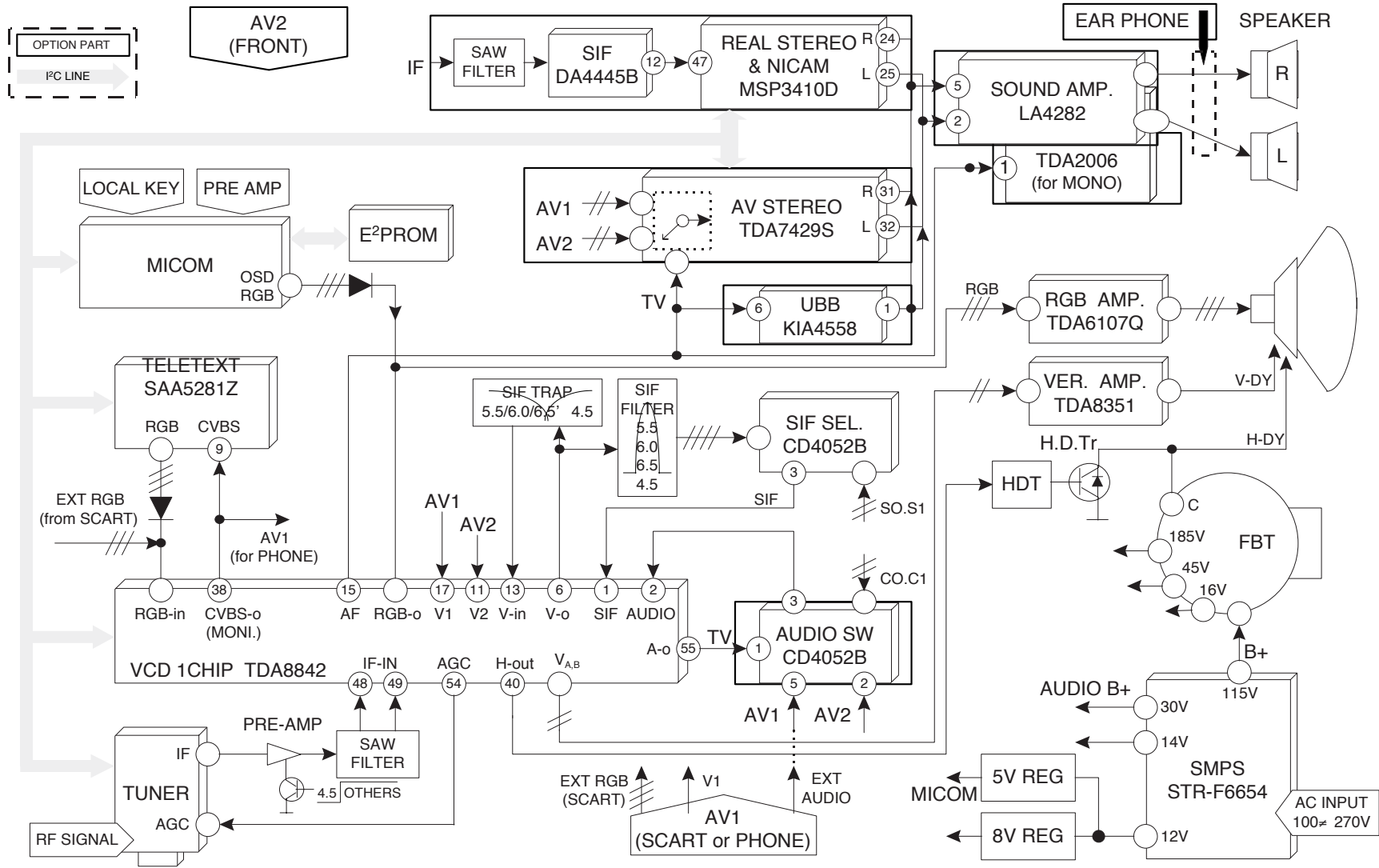
2. Limit MAX. VOLUME LEVEL.

- The HOTEL lodger can only use limited range of volume level because loud TV sound can disturb other lodger's private business.

The HOTEL manager select maximum volume level proper for HOTEL.

*** HOTEL mode operating guide**

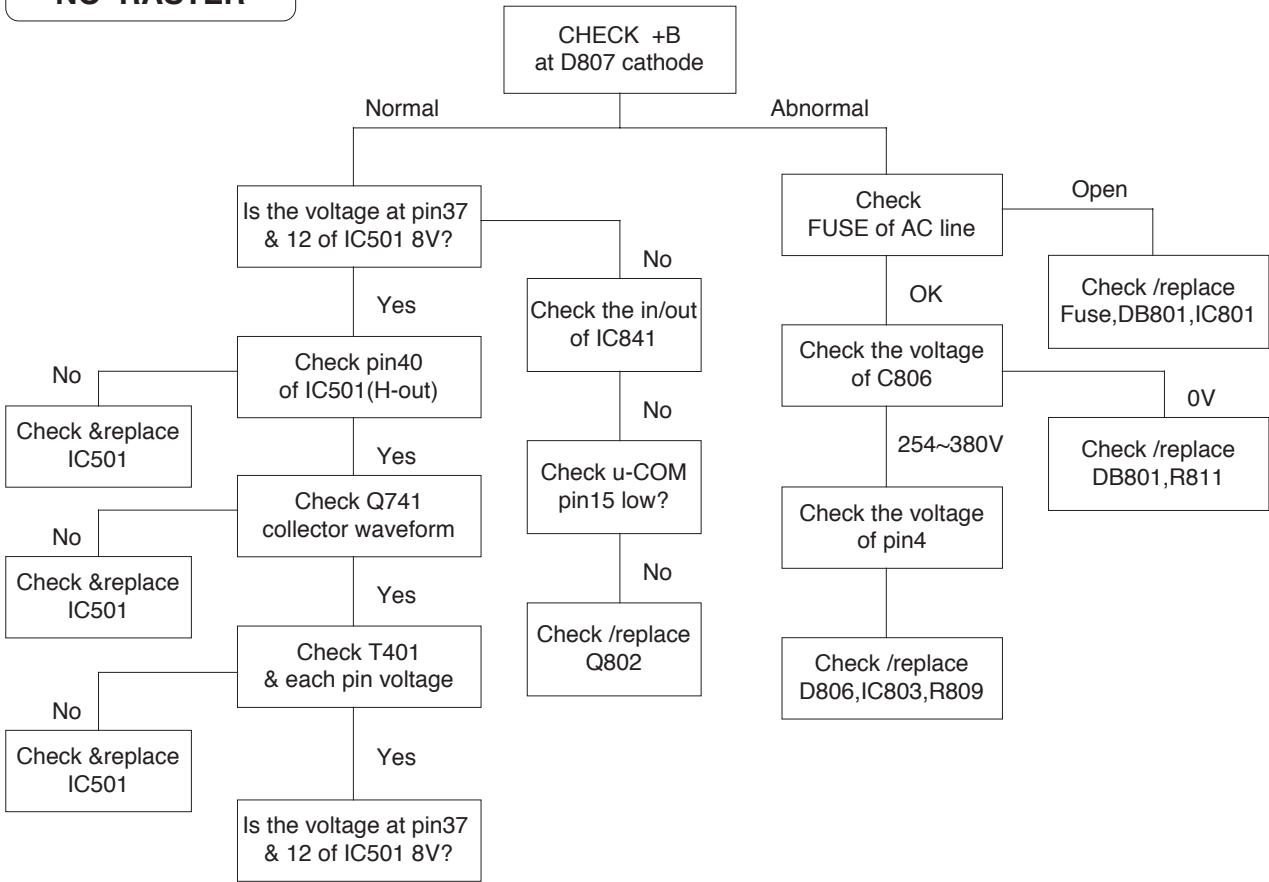
1. SET UP(CH.SEARCH AND EDIT) the Channel Program
2. SET UP Proper max volume level in SVC Mode.
3. SET UP HOTEL option in SVC Mode(OPTION-2).



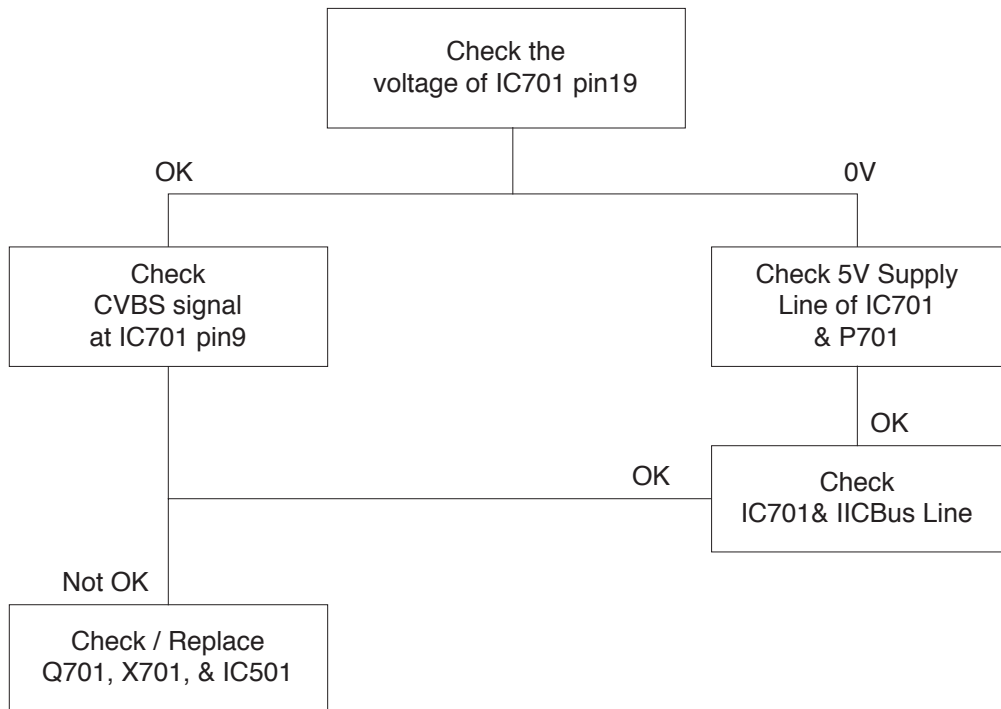
BLOCK DIAGRAM

TROUBLESHOOTING

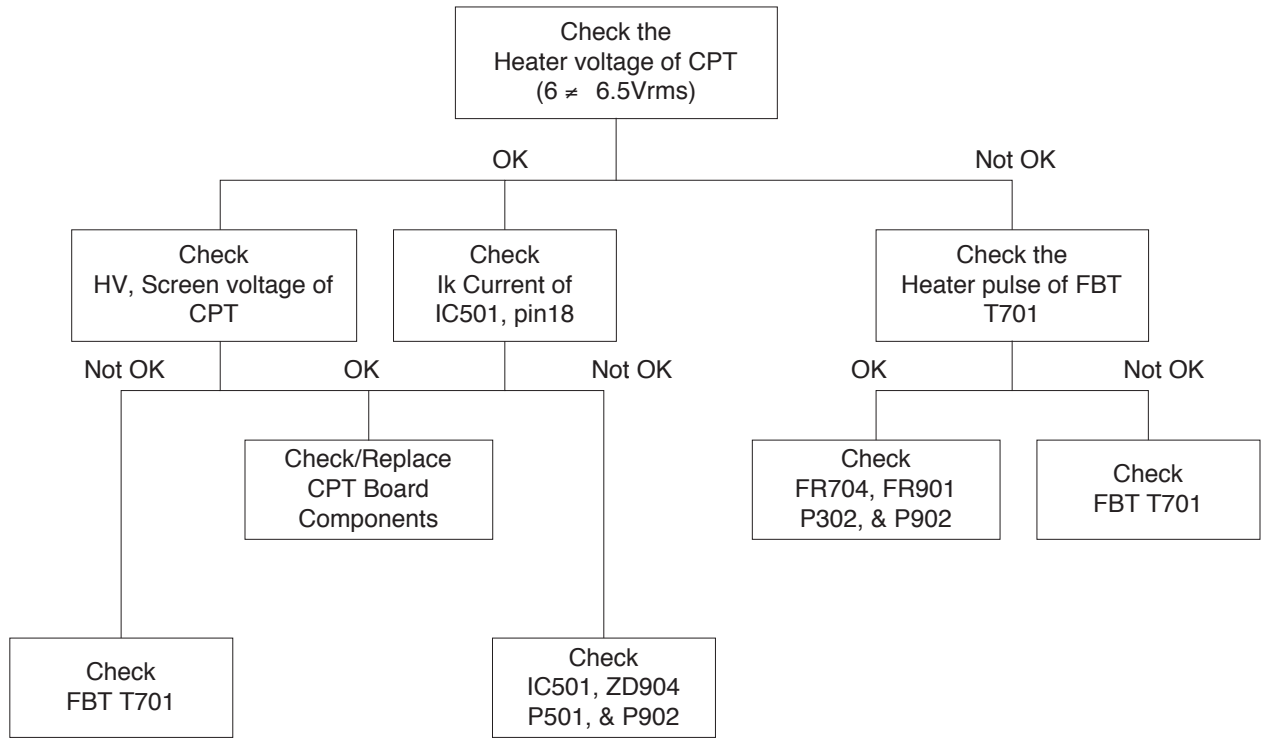
NO RASTER



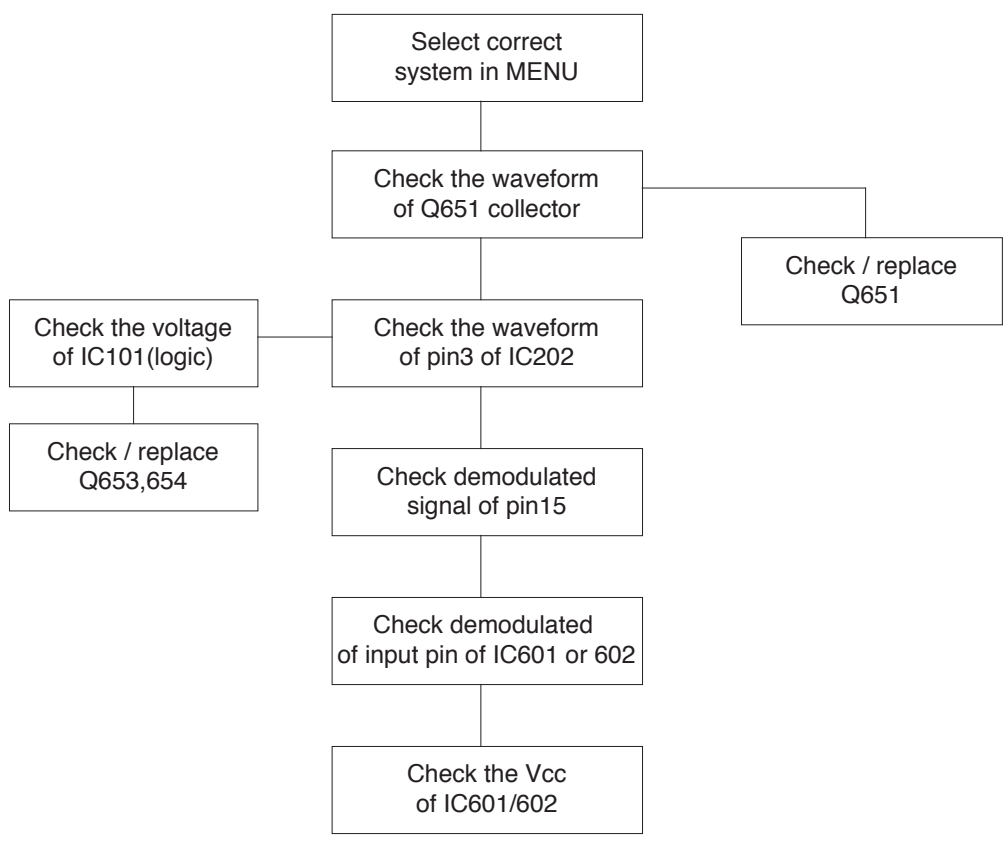
NO TELETEXT



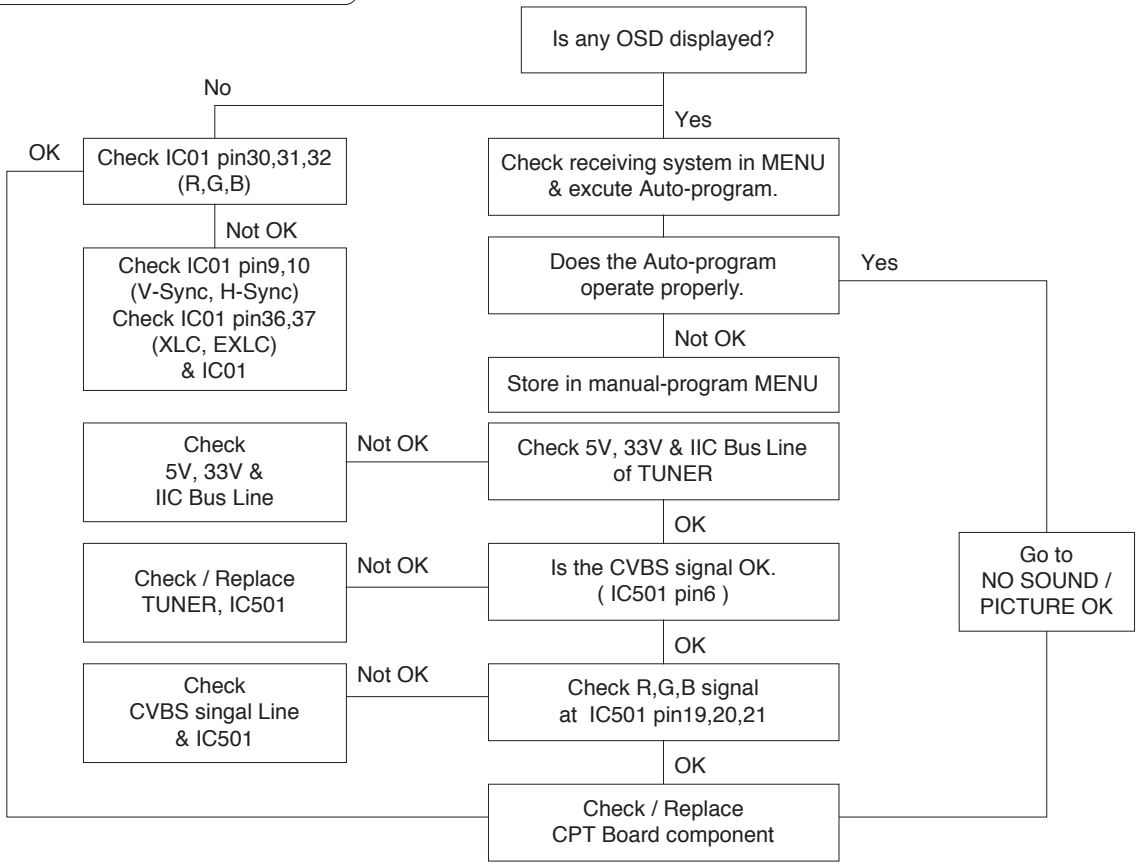
NO RASTER / SOUND OK



NO SOUND / PICTURE OK

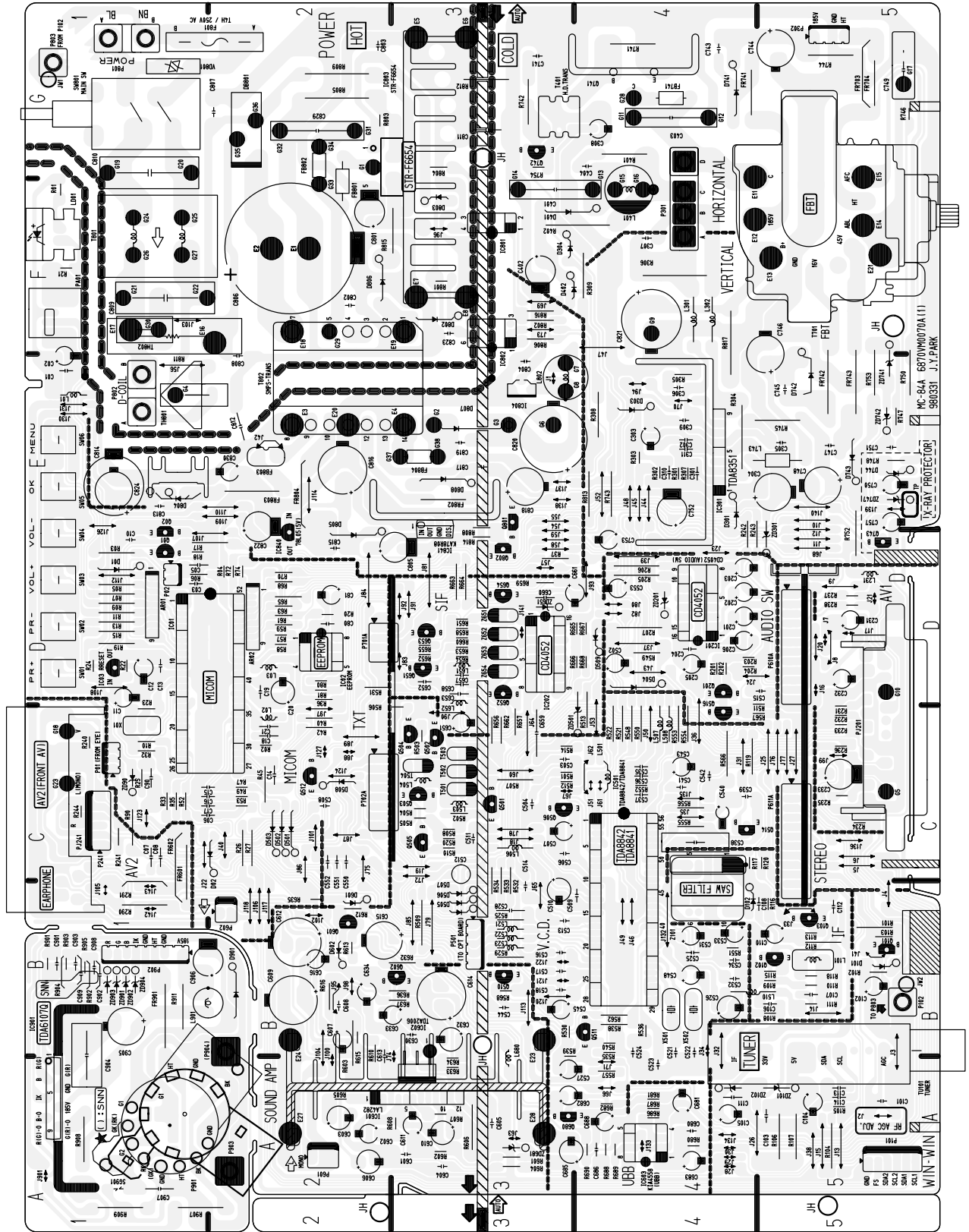


NO PICTURE / NO SONUD

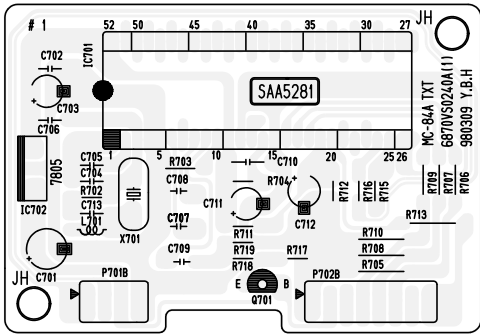


PRINTED CIRCUIT BOARD

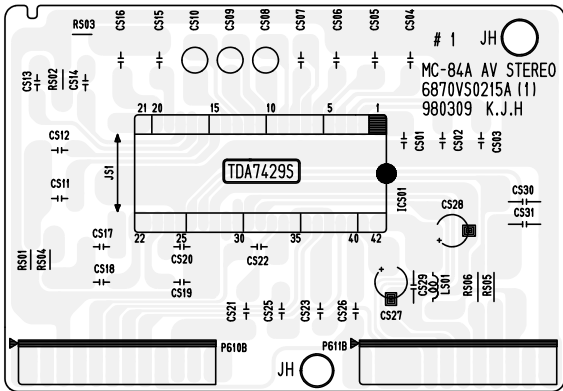
MAIN



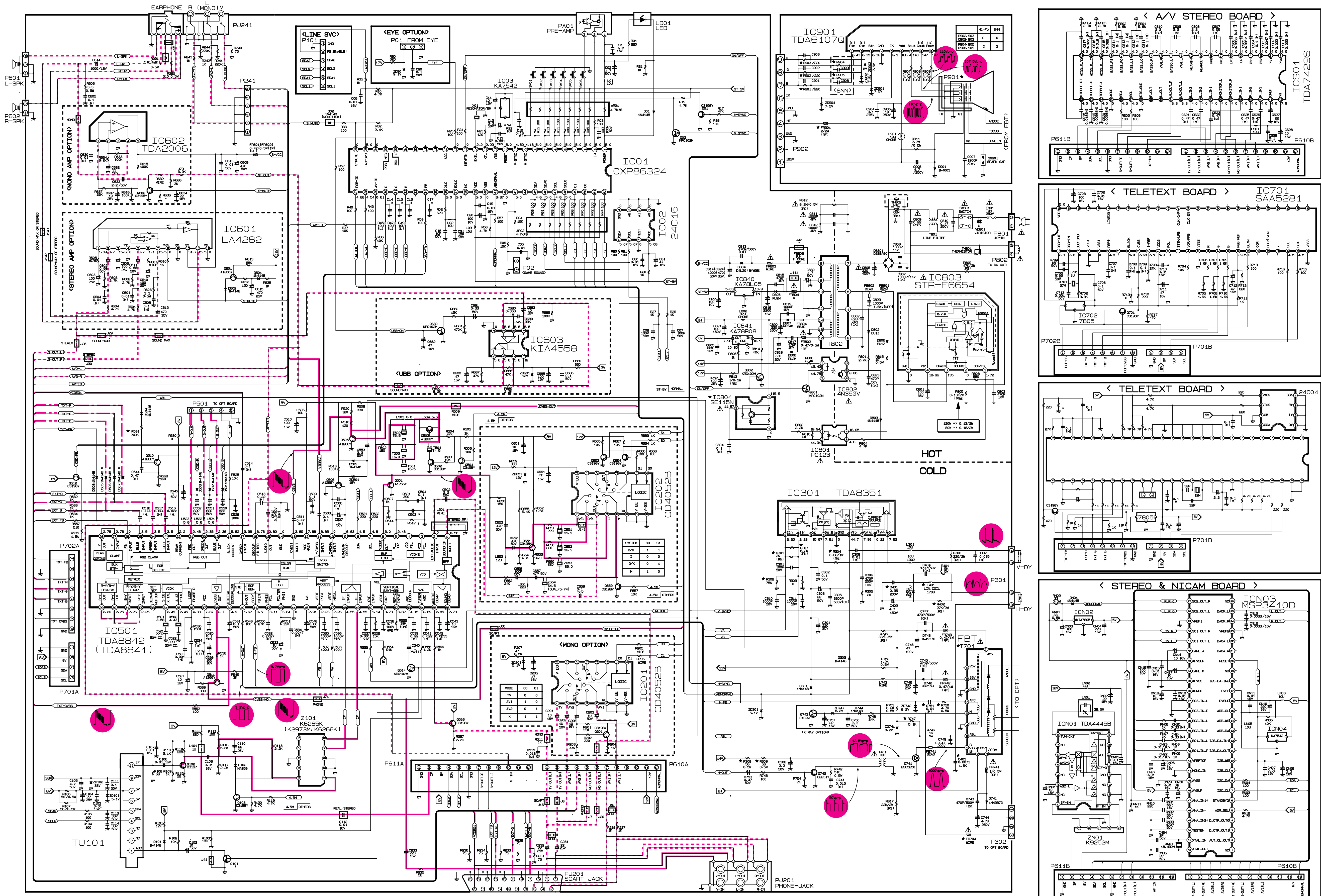
TXT



AV STEREO



Service Sheet of MC-84A



NOTICE

Since this is a basic schematic diagram, the value of components and some partial connection are subject to be changed for improvement without notice.

The components marked Δ conform VED or TEC guidelines and essential for safe operation of the TV receiver. While those marked Δ are required for correct operation, use specified parts only when replacing.

VALUE OF RESISTOR, CAPACITOR AND INDUCTOR

1. Resistor is shown in ohm, K=1,000 M=1,000,000
2. Unless otherwise noted in schematic, all capacitor values are expressed in μ F.
3. Unless otherwise noted in schematic, all inductor values are expressed in μ H.

OBSERVATION OF VOLTAGE AND WAVEFORMS

1. Voltages read with VTVM from point to ground. Line voltages 180 ~ 270 volts color bar signal.
2. Voltages reading may vary $\pm 1\%$ acc.
3. The schematic shown is representative only.
4. All waveforms are taken using a wide band oscilloscope and a 50 Ω capacity probe.
5. Check FINE TUNING, AGC, BRIGHTNESS, CONTRAST and COLOR controls for their position. Read new their BRIGHTNESS and COLOR controls are in mid position and CONTRAST controls is always in maximum position.
6. Waveforms are taken using a standard color signal.

TABLE OF INCH CONVERSION | * : changing parts

| NO. | 21" (L) | 20" (L) | 14" (L) | 21" (OR) | 20" (OR) | 14" (OR) | NO. | 21" (L) | 20" (L) | 14" (L) | 21" (OR) | 20" (OR) | 14" (OR) |
|-------|---------------|---------------|---------------|---------------|---------------|---------------|------|--------------|--------------|--------------|--------------|--------------|--------------|
| T701 | 61742-8005A | 61742-8005E | 61742-8005F | 61742-8005E | 61742-8005F | 61742-8005F | R747 | RD 5.1K | RD 4.7K | RD 6.8K | RD 5.1K | RD 4.7K | RD 6.8K |
| C401 | MPP 0.36/200V | MPP 0.47/200V | MPP 0.43/200V | MPP 0.36/200V | MPP 0.47/200V | MPP 0.36/200V | R903 | RD 75K | RD 75K | RD 100K | RD 75K | RD 75K | RD 100K |
| L401 | L701 150-1000 | L701 150-1000 | L701 150-1000 | L701 150-1000 | L701 150-1000 | L701 150-1000 | R931 | RD 240K | RD 240K | RD 100K | RD 240K | RD 240K | RD 100K |
| C403 | 0.0075/1.6KV | 0.0075/1.6KV | 0.0085/1.6KV | 0.0075/1.6KV | 0.0075/1.6KV | 0.0075/1.6KV | R938 | RD 550/5W | RD 550/5W | RD 750/5W | RD 550/5W | RD 550/5W | RD 750/5W |
| L403 | 6600/60001A | 6600/60001A | 6600/60001A | 6600/60001A | 6600/60001A | 6600/60001A | R950 | RD 4.7K/0.5W | RD 4.7K/0.5W | RD 4.7K/0.5W | RD 4.7K/0.5W | RD 4.7K/0.5W | RD 4.7K/0.5W |
| SE104 | SE115N | SE115N | SE115N | SE115N | SE115N | SE115N | H402 | RD 27K/2W | RD 27K/2W | RD 27K/2W | RD 27K/2W | RD 27K/2W | RD 27K/2W |
| R901 | RD 220 | RD 220 | RD 220 | RD 220 | RD 220 | RD 220 | R951 | RD 2K | RD 2K | RD 2K | RD 2K | RD 2K | RD 2K |
| R902 | RD 220 | RD 220 | RD 220 | RD 220 | RD 220 | RD 220 | R971 | RD 2K | RD 2K | RD 2K | RD 2K | RD 2K | RD 2K |
| R903 | RD 220 | RD 220 | RD 220 | RD 220 | RD 220 | RD 220 | R977 | RD 3.9K | RD 3.9K | RD 51K | RD 3.9K | RD 51K | RD 47K |
| R904 | RD 220 | RD 220 | RD 220 | RD 220 | RD 220 | RD 220 | R978 | RD 0.68/1W | RD 1.0/1W | RD 1.0/1W | RD 0.68/1W | RD 1.0/1W | RD 0.68/1W |
| R905 | RD 220 | RD 220 | RD 220 | RD 220 | RD 220 | RD 220 | R979 | M 0.01U | M 0.01U | M 0.01U | M 0.01U | M 0.01U | M 0.01U |



Service Sheet of MC-84A
P/N : 3854VA0037A-S
(980427)

The components identified by shading and mark Δ are critical for safety. Replace only with part number specified.

REPLACEMENT PARTS LIST

| LOCA. NO | PART NO | DESCRIPTION |
|----------------|-------------|---|
| IC | | |
| IC01 | 0ISO883806C | IC, LG8838-06C(CXP86441-524S) *LANG.MUL-A |
| " | 0ISO883807C | IC, LG8838-07C(CXP86441-523S) *LANG.MUL-R |
| IC02 | 0ISS240410A | IC, AT24C04-10PC 8D EEPROM(4K) |
| " | 0IAL241600B | IC, AT24C16-10PC 8D EEPROM(16K) |
| IC03 | 0ISS754200A | IC, KA7542Z RESET TO92 TP 4.2V |
| IC201 | 0IHA405200A | IC, CD4052B 16P DIP DIFF-4-CH MUX |
| IC202 | 0IHA405200A | IC, CD4052B 16P DIP DIFF-4-CH MUX |
| IC301 | 0IPH835150A | IC, TDA8351/N5 9P, SIP BK V/OUT(W/O |
| IC501 | 0IPH884212A | IC, TDA8842 (S1)/N2 56SDIP BK |
| IC601 | 0ISA428200A | IC, LA4282 |
| IC603 | 0IKE455800E | IC, KIA4558 DUAL OP AMP |
| IC801 | 0ISH123200B | IC, PC123 FY2PHOTO COUPLER |
| Δ IC802 | 0ITF435000A | IC, 4N35(G)V 6D PHOTO COUPLER |
| IC803 | 0ISK665413A | IC, STR-F6654(LF1352) 5P, SIP BK ST |
| IC804 | 0ISK115000A | IC, SE115N(LF12) 3P 115V ERROR AMP |
| "(14") | 0ISK110000A | IC, SE110N(LF12) 3P 110V ERROR AMP |
| IC840 | 0ISS780500J | IC, KA78L05AZ TO-92 TP 5V REGULATO |
| IC841 | 0ISS780800H | IC, KA78R08 4P, TO-220F BK LOW DROP |
| IC901 | 0IPH610700A | IC, TDA6107Q SIP9 BK VIDEO OUT AMP |
| DIODE | | |
| DB801 | 0DD260000BB | DIODE, BRIDGE D2SBA60(STK) |
| D01 | 0DD414809ED | DIODE, DS4148 |
| D02 | 0DD414809ED | DIODE, DS4148 |
| D101 | 0DD414809ED | DIODE, DS4148 |
| D102 | 0DD859009AA | DIODE, MA859 |
| D302 | 0DD414809ED | DIODE, DS4148 |
| D401 | 0DD150009CA | DIODE, RGP15J |
| D501 | 0DD414809ED | DIODE, DS4148 |
| D502 | 0DD414809ED | DIODE, DS4148 |
| D503 | 0DD414809ED | DIODE, DS4148 |
| D504 | 0DD414809ED | DIODE, DS4148 |
| D505 | 0DD414809ED | DIODE, DS4148 |
| D506 | 0DD414809ED | DIODE, DS4148 |
| D507 | 0DD414809ED | DIODE, DS4148 |
| D508 | 0DD414809ED | DIODE, DS4148 |
| D509 | 0DD414809ED | DIODE, DS4148 |
| D601 | 0DD414809ED | DIODE, DS4148 |
| D602 | 0DD414809ED | DIODE, DS4148 |
| D631 | 0DD414809ED | DIODE, DS4148 |
| D741 | 0DR149379AA | DIODE, 1N4937G |
| D742 | 0DD150009CA | DIODE, RGP15J |
| D743 | 0DR149379AA | DIODE, 1N4937G |
| D802 | 0DD100009AM | DIODE, EU1ZV |
| D803 | 0DD414809ED | DIODE, DS4148 |
| D804 | 0DD420000BB | DIODE, D4L20U *AV STEREO |
| " | 0DD360009AA | DIODE, BYW36(2A/600V) *MONO |
| D805 | 0DD200009AC | DIODE, RG-2 V |
| D806 | 0DD100009AM | DIODE, EU1ZV |
| D807 | 0DD300009AC | DIODE, RU3AMV |
| D808 | 0DD200009AF | DIODE, RU-2MV |
| D901 | 0DD400309AD | DIODE, IN4003A RECT |
| LD01 | 0DD000000BA | DIODE, LAMP(DIFFUSION TYPE) |
| ZD101 | 0DZ510009AB | DIODE, ZENER MTZ5.1B |
| ZD102 | 0DZ330009BA | DIODE, ZENER HZT33 |
| ZD201 | 0DZ510009AB | DIODE, ZENER MTZ5.1B |
| ZD301 | 0DZ510009AB | DIODE, ZENER MTZ5.1B |

| LOCA. NO | PART NO | DESCRIPTION |
|-------------------|-------------|------------------------------------|
| ZD501 | 0DZ180009AA | DIODE, ZENER MTZ18B |
| ZD651 | 0DZ120009AA | DIODE, ZENER Z12BM TA |
| ZD681 | 0DZ120009AA | DIODE, ZENER Z12BM TA |
| ZD741 | 0DZ820009AA | DIODE, ZENER MTZ8.2B |
| ZD742 | 0DZ820009AA | DIODE, ZENER MTZ8.2B |
| ZD90 | 0DZ910009BA | DIODE, ZENER MTZ9.1B |
| ZD901 | 0DZ750009AA | DIODE, ZENER MTZ7.5B |
| ZD902 | 0DZ750009AA | DIODE, ZENER MTZ7.5B |
| ZD903 | 0DZ750009AA | DIODE, ZENER MTZ7.5B |
| ZD904 | 0DZ750009AA | DIODE, ZENER MTZ7.5B |
| TRANSISTOR | | |
| Q01 | 0TR945009AA | TR, KSC945C-Y |
| Q02 | 0TR120209AD | TR, KSR1202 |
| Q102 | 0TR319709AB | TR, KTC3197, TP(KTC388A), KEC |
| Q103 | 0TR945009AA | TR, KSC945C-Y |
| Q201 | 0TR945009AA | TR, KSC945C-Y |
| Q501 | 0TR733009AA | TR, KSA733C-Y |
| Q502 | 0TR945009AA | TR, KSC945C-Y |
| Q503 | 0TR733009AA | TR, KSA733C-Y |
| Q504 | 0TR945009AA | TR, KSC945C-Y |
| Q505 | 0TR733009AA | TR, KSA733C-Y |
| Q506 | 0TR733009AA | TR, KSA733C-Y |
| Q510 | 0TR733009AA | TR, KSA733C-Y |
| Q511 | 0TR733009AA | TR, KSA733C-Y |
| Q512 | 0TR945009AA | TR, KSC945C-Y |
| Q514 | 0TR120209AD | TR, KSR1202 |
| Q516 | 0TR945009AA | TR, KSC945C-Y |
| Q601 | 0TR733009AA | TR, KSA733C-Y |
| Q602 | 0TR319809AA | TR, KTC3198-TP-Y (KTC1815)KEC |
| Q651 | 0TR945009AA | TR, KSC945C-Y |
| Q652 | 0TR945009AA | TR, KSC945C-Y |
| Q653 | 0TR945009AA | TR, KSC945C-Y |
| Q654 | 0TR945009AA | TR, KSC945C-Y |
| Q680 | 0TR120209AD | TR, KSR1202 |
| Q741 | 0TR525000AA | TR, 2SC5250 TO-3PFM HITACHI |
| Q742 | 0TR233109AA | TR, KSC2331-Y TP SAMSUNG TO-92L |
| Q801 | 0TR120209AD | TR, KSR1202 |
| Q802 | 0TR120209AD | TR, KSR1202 |
| CAPACITOR | | |
| C01 | 0CN1030F679 | C, TUBULA(HIGH DIELE) 0.01MF 16V M |
| C02 | 0CE475DK618 | C, ELECTROLYTIC 4.7UF STD 50V M |
| C03 | 0CN1010K519 | C, TUBULA(HIGH DIELE) 100PF 50V K |
| C06 | 0CN1030F679 | C, TUBULA(HIGH DIELE) 0.01MF 16V M |
| C07 | 0CN1010K519 | C, TUBULA(HIGH DIELE) 100PF 50V K |
| C08 | 0CN1010K519 | C, TUBULA(HIGH DIELE) 100PF 50V K |
| C09 | 0CN1010K519 | C, TUBULA(HIGH DIELE) 100PF 50V K |
| C10 | 181-007E | CAPACITOR MPE 50V 0.18UF J(TR) |
| C102 | 0CE335DK618 | C, ELECTROLYTIC 3.3UF STD 50V M |
| C103 | 0CN1030F679 | C, TUBULA(HIGH DIELE) 0.01MF 16V M |
| C104 | 0CE226DH618 | C, ELECTROLYTIC 22UF STD 25V M |
| C105 | 0CE475DK618 | C, ELECTROLYTIC 4.7UF STD 50V M |
| C106 | 0CN1030F679 | C, TUBULA(HIGH DIELE) 0.01MF 16V M |
| C107 | 0CN1030F679 | C, TUBULA(HIGH DIELE) 0.01MF 16V M |
| C108 | 0CN1030F679 | C, TUBULA(HIGH DIELE) 0.01MF 16V M |
| C109 | 0CN1010K519 | C, TUBULA(HIGH DIELE) 100PF 50V K |
| C11 | 0CE106DF618 | C, ELECTROLYTIC 10UF STD 16V M |
| C110 | 0CE226DH618 | C, ELECTROLYTIC 22UF STD 25V M |

| LOCA. NO | PART NO | DESCRIPTION |
|----------|-------------|--|
| C111 | 0CN1040K949 | C,TUBULA(HIGH DIELE) 0.1M 50V Z |
| C113 | 0CX3300K409 | C,TUBULA(T.C) 33PF 50V J |
| C114 | 0CX3300K409 | C,TUBULA(T.C) 33PF 50V J |
| C12 | 0CE335DK618 | C,ELECTROLYTIC 3.3UF STD 50V M |
| C13 | 0CN1020K519 | C,TUBULA(HIGH DIELE) 1000PF 50V K |
| C18 | 0CX1000K409 | C,TUBULA(T.C) 10P 50V J |
| C19 | 0CN1030F679 | C,TUBULA(HIGH DIELE) 0.01MF 16V M |
| C20 | 0CE107DD618 | C,ELECTROLYTIC 100UF STD 10V M |
| C21 | 0CX1000K409 | C,TUBULA(T.C) 10P 50V J |
| C201 | 0CE106DK618 | C,ELECTROLYTIC 10UF STD 50V M |
| C202 | 0CE105DK618 | C,ELECTROLYTIC 1UF STD 50V M |
| C203 | 0CE105DK618 | C,ELECTROLYTIC 1UF STD 50V M |
| C205 | 0CE476DF618 | C,ELECTROLYTIC 47UF STD 16V M |
| C206 | 181-064P | CAPACITOR CE BP 16V 10 |
| C231 | 0CE226DH618 | C,ELECTROLYTIC 22UF STD 25V M |
| C232 | 0CE226DH618 | C,ELECTROLYTIC 22UF STD 25V M |
| C233 | 0CE227DF618 | C,ELECTROLYTIC 220UF STD 16V M |
| C301 | 0CN1010K519 | C,TUBULA(HIGH DIELE) 100PF 50V K |
| C302 | 0CN1040K949 | C,TUBULA(HIGH DIELE) 0.1M 50V Z |
| C303 | 0CE226DK618 | C,ELECTROLYTIC 22UF STD 50V M |
| C304 | 0CE227DH618 | C,ELECTROLYTIC 220UF STD 25V M |
| C305 | 0CK3320W515 | C,CERAMIC(HIGH DIELE) 3300P 500V K |
| C306 | 0CK4710W515 | C,CERAMIC(HIGH DIELE) 470PF 500V K |
| C307 | 0CQ1531N509 | C,POLYESTER(MYLAR) 0.015MF 100V K |
| C308 | 0CE225DK618 | C,ELECTROLYTIC 2.2UF STD 50V M |
| C309 | 0CQ1031N509 | C,POLYESTER(MYLAR) 0.01U 100V K |
| C310 | 0CN1020K519 | C,TUBULA(HIGH DIELE) 1000PF 50V K |
| C311 | 0CN1020K519 | C,TUBULA(HIGH DIELE) 1000PF 50V K |
| C401 | 181-013B | CAPACITOR MPP 200V 0.36uF J |
| " | 181-013G | CAPACITOR MPP 200V 0.5uF J*ORION CPT |
| "(20") | 181-013C | CAPACITOR MPP 200V 0.39uF J |
| "(14") | 181-013C | CAPACITOR MPP 200V 0.39uF J |
| C402 | 0CE475DP618 | C,ELECTROLYTIC 4.7UF STD 160V M |
| C403 | 181-015F | C,MPP 1600V 0.0073UF H |
| "(20") | 181-015P | C,MPP 1600V 0.0075UF H |
| "(14") | 181-015E | C,MPP 1600V 0.0068UF H |
| C404 | 0CK8210K515 | C,CERAMIC(HIGH DIELE) 820P 50V K |
| C502 | 0CE225DK618 | C,ELECTROLYTIC 2.2UF STD 50V M |
| C504 | 0CQ1041N509 | C,POLYESTER(MYLAR) 0.1MF 100V L |
| C506 | 181-007C | C,MPE 50V 0.1UF J |
| C507 | 0CE105DK618 | C,ELECTROLYTIC 1UF STD 50V M |
| C508 | 0CQ1041N509 | C,POLYESTER(MYLAR) 0.1MF 100V L |
| C509 | 0CN1040K949 | C,TUBULA(HIGH DIELE) 0.1M 50V Z |
| C510 | 0CE107DF618 | C,ELECTROLYTIC 100UF STD 16V M |
| C511 | 181-007H | CAPACITOR MPE 50V 0.47UF J |
| C512 | 0CE2251K636 | C,ELECTROLYTIC 2.2UF SM 50V M |
| C513 | 181-007F | C,MPE 50V 0.22UF J |
| C514 | 0CQ1041N509 | C,POLYESTER(MYLAR) 0.1MF 100V L |
| C515 | 0CQ1831N509 | C,POLYESTER(MYLAR) 0.018U 100V K |
| C516 | 0CQ2231N509 | C,POLYESTER(MYLAR) 0.022MF 100V K |
| C517 | 0CQ2231N509 | C,POLYESTER(MYLAR) 0.022MF 100V K |
| C518 | 0CQ2231N509 | C,POLYESTER(MYLAR) 0.022MF 100V K |
| C521 | 0CC2210K415 | C,CERAMIC(TEMP COMP) 220P 50V J NPO TP |
| C522 | 0CC2710K415 | C,CERAMIC(TEMP COMP) 270P 50V J |
| " | 0CC1800K415 | C,CERAMIC(TEMP COMP) 18P 50V J *CT-PAL |
| C523 | 0CC6200K415 | C,CERAMIC 62PF 50V J |
| " | 0CQ1021N509 | C,POLYESTER 0.001U 100V K*CT-PAL |
| C524 | 0CQ4731N509 | C,POLYESTER(MYLAR) 0.047U 100V K |

| LOCA. NO | PART NO | DESCRIPTION |
|----------|-------------|--|
| " | 0CQ1041N509 | C,POLYESTER(MYLAR) 0.1U 100V K*CT-PAL |
| C525 | 0CN1040K949 | C,TUBULA(HIGH DIELE) 0.1M 50V Z |
| C526 | 0CE107DF618 | C,ELECTROLYTIC 100UF STD 16V M |
| C527 | 0CE106DF618 | C,ELECTROLYTIC 10UF STD 16V M |
| C528 | 0CN1010K519 | C,TUBULA(HIGH DIELE) 100PF 50V K |
| C531 | 0CE104DK618 | C,ELECTROLYTIC 0.1UF STD 50V M |
| C532 | 0CQ2721N409 | C,POLYESTER(MYLAR) 2700PF 100V J |
| C533 | 0CE105DK618 | C,ELECTROLYTIC 1UF STD 50V M |
| C534 | 0CQ4721N509 | C,POLYESTER(MYLAR) 0.0047U 100V K |
| C535 | 0CN1020K519 | C,TUBULA(HIGH DIELE) 1000PF 50V K |
| C536 | 0CN1020K519 | C,TUBULA(HIGH DIELE) 1000PF 50V K |
| C537 | 0CN1020K519 | C,TUBULA(HIGH DIELE) 1000PF 50V K |
| C538 | 0CQ1041N455 | C,POLYESTER(MYLAR) 0.1000UF 100V J |
| C539 | 181-007F | C,MPE 50V 0.22UF J |
| C540 | 0CSZVTA001C | C,TANTALUM |
| C541 | 0CQ2231N509 | C,POLYESTER(MYLAR) 0.022MF 100V K |
| C542 | 0CQ3321N509 | C,POLYESTER(MYLAR) 0.0033U 100V K *AV STEREO |
| " | 0CQ3921N409 | C,POLYESTER(MYLAR) 0.0039U 100V J *MONO |
| C543 | 0CE106DF618 | C,ELECTROLYTIC 10UF STD 16V M |
| C544 | 181-007H | CAPACITOR MPE 50V 0.47UF J(TR) |
| C545 | 0CE105DK618 | C,ELECTROLYTIC 1UF STD 50V M |
| C548 | 0CE105DK618 | C,ELECTROLYTIC 1UF STD 50V M |
| C550 | 0CN8200K519 | C,TUBULA(HIGH DIELE) 82P 50V K B |
| C551 | 0CN8200K519 | C,TUBULA(HIGH DIELE) 82P 50V K B |
| C552 | 0CN8200K519 | C,TUBULA(HIGH DIELE) 82P 50V K B |
| C553 | 0CE335DK618 | C,ELECTROLYTIC 3.3UF STD 50V M |
| C601 | 0CQ1031N509 | C,POLYESTER(MYLAR) 0.01U 100V K |
| C602 | 0CE684DK618 | C,ELECTROLYTIC 0.68UF STD 50V M |
| C603 | 0CE107DH618 | C,ELECTROLYTIC 100UF STD 25V M |
| C604 | 0CQ1031N509 | C,POLYESTER(MYLAR) 0.01U 100V K |
| C605 | 0CQ1041N509 | C,POLYESTER(MYLAR) 0.1MF 100V L |
| C606 | 0CE107DH618 | C,ELECTROLYTIC 100UF STD 25V M |
| C607 | 0CE106DH618 | C,ELECTROLYTIC 10UF STD 25V M |
| C608 | 0CQ1041N509 | C,POLYESTER(MYLAR) 0.1MF 100V L |
| C609 | 0CE477DK618 | C,ELECTROLYTIC 470UF STD 50V M *AV STEREO |
| " | 0CE227DJ618 | C,ELECTROLYTIC 220UF STD 35V M *MONO |
| C610 | 0CE107DH618 | C,ELECTROLYTIC 100UF STD 25V M |
| C611 | 0CE684DK618 | C,ELECTROLYTIC 0.68UF STD 50V M |
| C612 | 0CE477DJ618 | C,ELECTROLYTIC 470UF STD 35V M |
| C613 | 0CN1030F679 | C,TUBULA(HIGH DIELE) 0.01MF 16V M |
| C614 | 0CE477DJ618 | C,ELECTROLYTIC 470UF STD 35V M |
| C615 | 0CE477DH618 | C,ELECTROLYTIC 470UF STD 25V M |
| C630 | 0CQ1031N509 | C,POLYESTER(MYLAR) 0.01U 100V K |
| C631 | 0CE225DK618 | C,ELECTROLYTIC 2.2UF STD 50V M |
| C632 | 0CE336DK618 | C,ELECTROLYTIC 33UF STD 50V M |
| C633 | 0CE225DK618 | C,ELECTROLYTIC 2.2UF STD 50V M |
| C634 | 0CE107DD618 | C,ELECTROLYTIC 100UF STD 10V M |
| C651 | 0CE106DF618 | C,ELECTROLYTIC 10UF STD 16V M |
| C652 | 0CX4700K409 | C,TUBULA(T.C) 47PF 50V J |
| C653 | 0CX4700K409 | C,TUBULA(T.C) 47PF 50V J |
| C657 | 0CX4700K409 | C,TUBULA(T.C) 47PF 50V J |
| C658 | 0CN1510K519 | C,TUBULA 150P 50V K |
| C659 | 0CN1040K949 | C,TUBULA(HIGH DIELE) 0.1M 50V Z |
| C661 | 0CE476DF618 | C,ELECTROLYTIC 47UF STD 16V M |
| C662 | 0CN1010K519 | C,TUBULA 100P 50V K |
| C680 | 0CQ6831N509 | C,POLYESTER(MYLAR) 0.068MF 100V K |
| C681 | 0CE334DK618 | C,ELECTROLYTIC 0.33UF STD 50V M |
| C682 | 0CE476DD618 | C,ELECTROLYTIC 47UF STD 10V M |

The components identified by shading and mark Δ are critical for safety. Replace only with part number specified.

| LOCA. NO | PART NO | DESCRIPTION |
|---------------------|-------------|--|
| C683 | 0CE106DF618 | C,ELECTROLYTIC 10UF STD 16V M |
| C685 | 0CE107DF618 | C,ELECTROLYTIC 100UF STD 16V M |
| C686 | 0CN1040K949 | C,TUBULA 0.1UF 50V Z |
| C688 | 0CE476DF618 | C,AL.ELECTROLYTIC 47UF STD 16V M |
| C741 | 0CQ1531N509 | C,POLYESTER(MYLAR) 0.015MF 100V K |
| C743 | 0CK4710W515 | C,CERAMIC(HIGH DIELE) 470PF 500V K |
| C744 | 0CE475DR618 | C,ELECTROLYTIC 4.7UF STD 250V M |
| C745 | 0CK4710W515 | C,CERAMIC(HIGH DIELE) 470PF 500V K |
| C746 | 0CE337DH618 | C,ELECTROLYTIC 330UF STD 25V M |
| C747 | 0CK4710W515 | C,CERAMIC(HIGH DIELE) 470PF 500V K |
| C748 | 0CE107DN618 | C,ELECTROLYTIC 100UF STD 100V M |
| C749 | 181-009V | C,PP 200V 0.047UF K |
| C751 | 0CQ1031N509 | C,POLYESTER(MYLAR) 0.01U 100V K |
| C752 | 0CE107DH618 | C,ELECTROLYTIC 100UF STD 25V M |
| C753 | 0CE474DK618 | C,ELECTROLYTIC 0.47UF STD 50V M |
| C80 | 0CN1030F679 | C,TUBULA(HIGH DIELE) 0.01MF 16V M |
| C801 | 0CE107BJ618 | C,ELECTROLYTIC 100UF KME 35V M |
| C802 | 181-091U | CAPACITOR 2KV R 221K |
| C803 | 181-091Q | CAPACITOR 1KV R 471K TP5 |
| C804 | 0CQ1041N509 | C,POLYESTER(MYLAR) 0.1MF 100V L |
| C805 | 0CE227DF618 | C,ELECTROLYTIC 220UF STD 16V M |
| Δ C806 | 181-001V | C,AL.ELECTROLYTIC CE 450V 220UF M *AV STEREO |
| " | 0CEZVBK002A | C,AL.ELECTROLYTIC 150UF 450V M *MONO |
| C807 | 0CK10201515 | C,CERAMIC(HIGH DIELE) 1000P 1KV K |
| C808 | 181-091R | CAPACITOR 1KV R 102K TP5 |
| Δ C809 | 0CQZVBK002C | C,POLYESTER A.C 275V 0.22UF K |
| C81 | 0CE476DF618 | C,ELECTROLYTIC 47UF STD 16V M |
| Δ C810 | 0CQZVBK002D | C,POLYESTER AC275V 0.47UF K *X-RAY |
| " | 0CQZVBK002C | C,POLYESTER AC275V 0.22UF K *NORMAL |
| Δ C811 | 181-120N | CAPACITOR ACT 4KV E 102M *AV STEREO |
| " | 181-120K | CAPACITOR ACT 4KV E 222M *MONO |
| Δ C812 | 181-120N | CAPACITOR ACT 4KV E 102M |
| C813 | 0CK4710W515 | C,CERAMIC(HIGH DIELE) 470PF 500V K |
| C814 | 0CE108DK61A | C,ELECTROLYTIC 1000UF STD 50V M |
| C815 | 181-091Q | CAPACITOR 1KV R 471K TP5 |
| C816 | 0CE228BF618 | C,ELECTROLYTIC 2200UF KME 16V M |
| C817 | 181-091Q | CAPACITOR 1KV R 471K TP5 |
| C818 | 0CE107DH618 | C,ELECTROLYTIC 100UF STD 25V M |
| C819 | 181-091R | CAPACITOR 1KV R 102K TP5 |
| C820 | 0CE227DP650 | C,ELECTROLYTIC 220UF STD 160V M |
| C821 | 0CE1071P650 | C,ELECTROLYTIC 100UF SM 160V M |
| C822 | 0CE107DD618 | C,ELECTROLYTIC 100UF STD 10V M |
| C823 | 0CK4710K515 | C,CERAMIC(HIGH DIELE) 470P 50V K |
| C824 | 0CE477DJ618 | C,ELECTROLYTIC 470UF STD 35V M |
| C825 | 181-091P | CAPACITOR 1KV SL 271J |
| C829 | 181-011B | CAPACITOR PP 1600V 0.001UF J |
| C830 | 0CE475DK618 | C,ELECTROLYTIC 4.7UF STD 50V M |
| C90 | 0CN1040K949 | C,TUBULA(HIGH DIELE) 0.1M 50V Z |
| C904 | 0CQZVBK002A | C,POLYESTER A.C 275V 0.1UF M |
| C905 | 0CE106DR618 | C,ELECTROLYTIC 10UF STD 250V M |
| C906 | 0CE475DR618 | C,ELECTROLYTIC 4.7UF STD 250V M |
| C907 | 181-033S | CAPACITOR 2KV B 122K TP7.5 |
| J123 | 0CN1510K519 | C,TUBULA 150P 50V K |
| FERRITE CORE | | |
| FB741 | 125-022K | CORE,FERRITE 1UH |
| FB801 | 125-022K | CORE,FERRITE 1UH |
| FB802 | 125-022K | CORE,FERRITE 1UH |

| LOCA. NO | PART NO | DESCRIPTION |
|-------------------------------|-------------|--|
| FB803 | 125-123A | CORE,FERRITE BFD3565R2F |
| FB804 | 125-022K | CORE,FERRITE 1UH |
| COIL & TRANSFORMER | | |
| J72 | 0LA0102K119 | INDUCTOR,10UH K |
| L01 | 0LA0102K119 | INDUCTOR,10UH K |
| L02 | 0LA0102K119 | INDUCTOR,10UH K |
| L03 | 0LA0102K119 | INDUCTOR,10UH K |
| L101 | 0LA0101K119 | INDUCTOR,1.0UH K |
| L231 | 0LA0101K119 | INDUCTOR,1.0UH K |
| L301 | 0LA0102K139 | INDUCTOR,10UH K |
| L302 | 0LA0102K139 | INDUCTOR,10UH K |
| L401 | 150-L02C | COIL,H-LINEARITY 170UH |
| " | 150-L02Y | COIL,H-LINEARITY 70UH*ORION CPT |
| "(14") | 150-L01W | COIL,H-LINEARITY 57UH |
| L503 | 0LA0681K119 | INDUCTOR,6.8UH K |
| L504 | 0LA0561K119 | INDUCTOR,5.6UH K |
| L507 | 0LA1000K119 | INDUCTOR,100UH K |
| L508 | 0LA1000K119 | INDUCTOR,100UH K |
| L510 | 0LA0102K119 | INDUCTOR,10UH K |
| L521 | 0LA0561K119 | INDUCTOR,5.6UH K |
| L522 | 0LA0561K119 | INDUCTOR,5.6UH K |
| L523 | 0LA0561K119 | INDUCTOR,5.6UH K |
| L651 | 0LA0272K119 | INDUCTOR,27UH K |
| L652 | 0LA0122K119 | INDUCTOR,12UH K |
| L802 | 150-C02F | COIL,CHOKE 82UH R1217 |
| L901 | 150-C02A | COIL,CHOKE 10UH R0814 |
| R45 | 0LA0102K119 | INDUCTOR,10UH K |
| R47 | 0LA0102K119 | INDUCTOR,10UH K |
| R49 | 0LA0102K119 | INDUCTOR,10UH K |
| Δ T401 | 6170VC0003A | TRANSFORMER,HORIZONTAL |
| T801 | 150-F06H | COIL, LINE FILTER SQE2930 |
| T802 | 151-A13G | TRANSFORMER,SMPS EER-4215. |
| "(14") | 151-B06V | TRANSFORMER,SMPS EER-4215. |
| RESISTOR | | |
| AR01 | 180-E01K | R,ARRAY 4700 OHM 5% 1.778P 4.7K*8 1/8W |
| AR02 | 180-E01K | R,ARRAY 4700 OHM 5% 1.778P 4.7K*8 1/8W |
| D02 | ORD1002F609 | R,CARBON FILM 10K 1/6W 5 *MONO |
| FR601 | ORF0470H609 | R,FUSIBLE 0.47 1/2W 5% |
| FR602 | ORF0470J607 | R,FUSIBLE 0.47 1W 5% |
| FR704 | ORF0470H609 | R,FUSIBLE 0.47 1/2W 5 |
| FR741 | ORF0101H609 | R,FUSIBLE 1.0 1/2W 5 |
| Δ FR742 | ORF0470J607 | R,FUSIBLE 0.47 1W 5% |
| FR743 | ORF0470J607 | R,FUSIBLE 0.47 1W 5% |
| FR802 | ORF0470H609 | R,FUSIBLE 0.47 1/2W 5 |
| FR901 | ORF0201K607 | R,FUSIBLE 2 2W 5% |
| " | ORF0331K607 | R,FUSIBLE 3.30 2W 5% *ORION CPT |
| "(14") | ORF0221K607 | R,FUSIBLE 2.2 2W 5% |
| J68 | ORD0222F609 | R,CARBON FILM 22 1/6W 5% |
| L680 | ORD3600F609 | R,CARBON FILM 360 1/6W 5 |
| R01 | ORD2200F609 | R,CARBON FILM 220 1/6W 5 |
| R02 | ORD6200F609 | R,CARBON FILM 620 1/6W 5 |
| R04 | ORD1002F609 | R,CARBON FILM 10K 1/6W 5 |
| R08 | ORD4701F609 | R,CARBON FILM 4.7K 1/6W 5 |
| R101 | ORD1202F609 | R,CARBON FILM 12K 1/6W 5 |
| R102 | ORD1002F609 | R,CARBON FILM 10K 1/6W 5 |
| R103 | ORD1802F609 | R,CARBON FILM 18K 1/6W 5 |

| LOCA. NO | PART NO | DESCRIPTION |
|-----------|-------------|--|
| R106 | ORD0562H609 | R,CARBON FILM 56 1/2W 5 |
| R107 | ORD0562H609 | R,CARBON FILM 56 1/2W 5 |
| R108 | ORD0682F609 | R,CARBON FILM 68 1/6W 5 |
| R110 | ORD5101F609 | R,CARBON FILM 5.1K 1/6W 5 |
| R111 | ORD2200F609 | R,CARBON FILM 220 1/6W 5 |
| R112 | ORD1000F609 | R,CARBON FILM 100 1/6W 5 |
| R113 | ORD2201F609 | R,CARBON FILM 2.2K 1/6W 5 |
| R115 | ORD0562F609 | R,CARBON FILM 56 1/6W 5 |
| R116 | ORD6801F609 | R,CARBON FILM 6.8K 1/6W 5 |
| R117 | ORD2201F609 | R,CARBON FILM 2.2K 1/6W 5 |
| R118 | ORD6800F609 | R,CARBON FILM 680 1/6W 5 |
| R119 | ORD4701F609 | R,CARBON FILM 4.7K 1/6W 5 |
| R120 | ORD4701F609 | R,CARBON FILM 4.7K 1/6W 5 |
| R17 | ORD4702F609 | R,CARBON FILM 47K 1/6W 5 |
| R18 | ORD1002F609 | R,CARBON FILM 10K 1/6W 5 |
| R20 | ORD0102F609 | R,CARBON FILM 10 1/6W 5 |
| R201 | ORD3302F609 | R,CARBON FILM 33K 1/6W 5 |
| R202 | ORD2200F609 | R,CARBON FILM 220 1/6W 5 |
| R203 | ORD3302F609 | R,CARBON FILM 33K 1/6W 5 |
| R204 | ORD1001F609 | R,CARBON FILM 1K 1/6W 5 |
| R205 | ORD1000F609 | R,CARBON FILM 100 1/6W 5 |
| R206 | ORD1000F609 | R,CARBON FILM 100 1/6W 5 |
| R207 | ORD0472H609 | R,CARBON FILM 47 1/2W 5 |
| R22 | ORD1002F609 | R,CARBON FILM 10K 1/6W 5 |
| R23 | ORD1200F609 | R,CARBON FILM 120 1/6W 5 |
| R231 | ORD0752F609 | R,CARBON FILM 75 1/6W 5 |
| R232 | ORD0752F609 | R,CARBON FILM 75 1/6W 5 |
| R233 | ORD0752F609 | R,CARBON FILM 75 1/6W 5 |
| R234 | ORD0752F609 | R,CARBON FILM 75 1/6W 5 |
| R235 | ORD0562F609 | R,CARBON FILM 56 1/6W 5 |
| R236 | ORD0752F609 | R,CARBON FILM 75 1/6W 5 |
| R237 | ORD1001F609 | R,CARBON FILM 1.0K 1/6W 5 |
| R238 | ORD1001F609 | R,CARBON FILM 1.0K 1/6W 5 |
| R240 | ORD0752F609 | R,CARBON FILM 75 1/6W 5 |
| R241 | ORD2203F609 | R,CARBON FILM 220K 1/6W 5 |
| R242 | ORD1001F609 | R,CARBON FILM 1.0K 1/6W 5 |
| R243 | ORD1001F609 | R,CARBON FILM 1.0K 1/6W 5 |
| R244 | ORD2203F609 | R,CARBON FILM 220K 1/6W 5 |
| R25 | ORD1000F609 | R,CARBON FILM 100 1/6W 5 |
| R290 | ORD3300H609 | R,CARBON FILM 330 1/2W 5 |
| R291 | ORD5100H609 | R,CARBON FILM 510 1/2W 5 |
| " | ORD3300H609 | R,CARBON FILM 330 1/2W 5 *MONO(+EAR) |
| R301(20") | ORN2701F409 | R,METAL FILM 2.7K 1/6W 1% |
| " | ORN2201F409 | R,METAL FILM 2.2K 1/6W 1% *ORION CPT |
| "(21") | ORN3301F409 | R,METAL FILM 3.3K 1/6W 1% |
| "(14") | ORN1801F409 | R,METAL FILM 1.8K 1/6W 1% |
| R302(20") | ORD1303F609 | R,CARBON FILM 130K 1/6W 5 |
| " | ORN1003F409 | R,METAL FILM 100K 1/6W 1*ORION CPT |
| "(21") | ORD1503F609 | R,CARBON FILM 150K 1/6W 5 |
| "(14") | ORD1203F609 | R,CARBON FILM 120K 1/6W 5 |
| R304(20") | ORN0121J607 | R,METAL FILM OXIDE 1.2 1W 5% TA62 |
| " | ORN0101J607 | R,METAL FILM OXIDE 1 1W 5% *ORION CPT |
| "(21") | ORN0680J607 | R,METAL FILM OXIDE 0.68 1W 5% TA62 |
| R305 | ORD0202F609 | R,CARBON FILM 20 1/6W 5 TA52 |
| R306(21") | ORS2200K607 | R,METAL FILM OXIDE 220 2W 5% |
| " | ORS2200K607 | R,METAL FILM OXIDE 220 2W 5%*ORION CPT |
| "(20") | ORS1800K607 | R,METAL FILM OXIDE 180 2W 5% |
| R307 | ORN3301F409 | R,METAL FILM 3.3K 1/6W 1% |

| LOCA. NO | PART NO | DESCRIPTION |
|----------|-------------|--|
| " | ORN3302F409 | R,METAL FILM 33K 1/6W 1%*ORION CPT |
| "(20") | ORN3602F409 | R,METAL FILM 36K 1/6W 1% |
| "(14") | ORN3901F409 | R,METAL FILM 3.9K 1/6W 1% |
| R308 | ORD0562H609 | R,CARBON FILM 56 1/2W 5 |
| "(14") | ORD0752H609 | R,CARBON FILM 75 1/2W 5 |
| R309 | ORD0562H609 | R,CARBON FILM 56 1/2W 5 |
| "(14") | ORD0752H609 | R,CARBON FILM 75 1/2W 5 |
| R32 | ORD2401F609 | R,CARBON FILM 2.4K 1/6W 5 |
| R33 | ORD1000F609 | R,CARBON FILM 100 1/6W 5 |
| R36 | ORD1002F609 | R,CARBON FILM 10K 1/6W 5 |
| R37 | ORD1002F609 | R,CARBON FILM 10K 1/6W 5 |
| R402 | ORS2702K607 | R,METAL FILM OXIDE 27K 2W 5% |
| " | ORS1502K607 | R,METAL FILM OXIDE 15K 2W 5%*ORION CPT |
| "(14") | ORS2202K607 | R,METAL FILM OXIDE 22K 2W 5% |
| R42 | ORD1000F609 | R,CARBON FILM 100 1/6W 5 |
| R501 | ORD3900F609 | R,CARBON FILM 390 1/6W 5 |
| R502 | ORD1800F609 | R,CARBON FILM 180 1/6W 5 |
| R503 | ORD1002F609 | R,CARBON FILM 10K 1/6W 5 |
| R504 | ORD4702F609 | R,CARBON FILM 47K 1/6W 5 |
| R505 | ORD3001F609 | R,CARBON FILM 3K 1/6W 5 |
| R506 | ORD1002F609 | R,CARBON FILM 10K 1/6W 5 |
| R507 | ORD1000F609 | R,CARBON FILM 100 1/6W 5 |
| R508 | ORD3300F609 | R,CARBON FILM 330 1/6W 5 |
| R510 | ORD1200F609 | R,CARBON FILM 120 1/6W 5 |
| R511 | ORD1001F609 | R,CARBON FILM 1.0K 1/6W 5 |
| R513 | ORD1003F609 | R,CARBON FILM 100K 1/6W 5 |
| R52 | ORD1000F609 | R,CARBON FILM 100 1/6W 5 |
| R520 | ORD1200F609 | R,CARBON FILM 120 1/6W 5 |
| R521 | ORD2200F609 | R,CARBON FILM 220 1/6W 5 |
| R522 | ORD2200F609 | R,CARBON FILM 220 1/6W 5 |
| R525 | ORD1002F609 | R,CARBON FILM 10K 1/6W 5 |
| R531 | ORD2403F609 | R,CARBON FILM 240K 1/6W 5 |
| "(14") | ORD1303F609 | R,CARBON FILM 130K 1/6W 5 |
| R532 | ORD1001F609 | R,CARBON FILM 1.0K 1/6W 5 |
| R533 | ORD1001F609 | R,CARBON FILM 1.0K 1/6W 5 |
| R534 | ORD1001F609 | R,CARBON FILM 1.0K 1/6W 5 |
| R535 | ORD1501F609 | R,CARBON FILM 1.5K 1/6W 5 |
| R536 | ORD1503F609 | R,CARBON FILM 150K 1/6W 5 |
| R538 | ORD1000F609 | R,CARBON FILM 100 1/6W 5 |
| R539 | ORD3300F609 | R,CARBON FILM 330 1/6W 5 |
| R549 | ORD3001F609 | R,CARBON FILM 3.0K 1/6W 5 |
| R550 | ORD2702F609 | R,CARBON FILM 27K 1/6W 5 |
| R551 | ORD1502F609 | R,CARBON FILM 15K 1/6W 5 |
| R552 | ORD1502F609 | R,CARBON FILM 15K 1/6W 5 |
| R554 | ORD9102F609 | R,CARBON FILM 91K 1/6W 5 |
| R555 | ORN3902F409 | R, METAL FILM 39K 1/6W 1% |
| R556 | ORD1201F609 | R,CARBON FILM 1.2K 1/6W 5 |
| R557 | ORD5100F609 | R,CARBON FILM 510 1/6W 5 |
| R566 | ORD1001F609 | R,CARBON FILM 1.0K 1/6W 5 |
| R567 | ORD2201F609 | R,CARBON FILM 2.2K 1/6W 5 |
| R568 | ORD5600F609 | R,CARBON FILM 560 1/6W 5 |
| R59 | ORD2200F609 | R,CARBON FILM 220 1/6W 5 |
| R601 | ORD4701F609 | R,CARBON FILM 4.7K 1/6W 5 |
| R602 | ORD2701F609 | R,CARBON FILM 2.7K 1/6W 5 |
| R603 | ORD0331H609 | R,CARBON FILM 3.3 1/2W 5 |
| R604 | ORD4701F609 | R,CARBON FILM 4.7K 1/6W 5 |
| R606 | ORD0331H609 | R,CARBON FILM 3.3 1/2W 5 |
| R608 | ORD2701F609 | R,CARBON FILM 2.7K 1/6W 5 |

The components identified by shading and mark Δ are critical for safety.
 Replace only with part number specified.

| LOCA. NO | PART NO | DESCRIPTION |
|---------------|-------------|--------------------------------------|
| R610 | ORD1001F609 | R,CARBON FILM 1.0K 1/6W 5 |
| Δ R612 | ORD1500F609 | R,CARBON FILM 150 1/6W 5 |
| R613 | ORD6802F609 | R,CARBON FILM 68K 1/6W 5 |
| R615 | ORD1003F609 | R,CARBON FILM 100K 1/6W 5 |
| R616 | ORD1003F609 | R,CARBON FILM 100K 1/6W 5 |
| R63 | ORD2200F609 | R,CARBON FILM 220 1/6W 5 |
| R631 | ORD3001F609 | R,CARBON FILM 3K 1/6W 5 |
| R632 | ORD3901F609 | R,CARBON FILM 3.9K 1/6W 5 |
| R633 | ORD1003F609 | R,CARBON FILM 100K 1/6W 5 |
| R634 | ORD6801F609 | R,CARBON FILM 6.8K 1/6W 5 |
| R635 | ORD1001F609 | R,CARBON FILM 1.0K 1/6W 5 |
| R637 | ORD1003F609 | R,CARBON FILM 100K 1/6W 5 |
| R651 | ORD2200F609 | R,CARBON FILM 220 1/6W 5 |
| R652 | ORD1501F609 | R,CARBON FILM 1.5K 1/6W 5 |
| R653 | ORD4700F609 | R,CARBON FILM 470 1/6W 5 |
| R654 | ORD3301F609 | R,CARBON FILM 3.3K 1/6W 5 |
| R655 | ORD9101F609 | R,CARBON FILM 9.1K 1/6W 5 |
| R656 | ORD1500F609 | R,CARBON FILM 150 1/6W 5 |
| R657 | ORD1002F609 | R,CARBON FILM 10K 1/6W 5 |
| R658 | ORD2200F609 | R,CARBON FILM 220 1/6W 5 |
| R659 | ORD3000F609 | R,CARBON FILM 300 1/6W 5 |
| R660 | ORD2200F609 | R,CARBON FILM 220 1/6W 5 |
| R662 | ORD2400F609 | R,CARBON FILM 240 1/6W 5 |
| R663 | ORD1001F609 | R,CARBON FILM 1.0K 1/6W 5 |
| R664 | ORD1001F609 | R,CARBON FILM 1.0K 1/6W 5 |
| R665 | ORD1002F609 | R,CARBON FILM 10K 1/6W 5 |
| R666 | ORD1000F609 | R,CARBON FILM 100 1/6W 5 |
| R667 | ORD1002F609 | R,CARBON FILM 10K 1/6W 5 |
| R668 | ORD1000F609 | R,CARBON FILM 100 1/6W 5 |
| R68 | ORD1000F609 | R,CARBON FILM 100 1/6W 5 |
| R680 | ORD3902F609 | R,CARBON FILM 39K 1/6W 5 |
| R681 | ORD4703F609 | R,CARBON FILM 470K 1/6W 5 |
| R682 | ORD1502F609 | R,CARBON FILM 15K 1/6W 5 |
| R686 | ORD1003F609 | R,CARBON FILM 100K 1/6W 5 |
| R687 | ORD4702F609 | R,CARBON FILM 47K 1/6W 5 |
| R688 | ORD4702F609 | R,CARBON FILM 47K 1/6W 5 |
| R689 | ORD2201F609 | R,CARBON FILM 2.2K 1/6W 5 |
| R690 | ORD8201F609 | R,CARBON FILM 8.2K 1/6W 5 |
| R70 | ORD1000F609 | R,CARBON FILM 100 1/6W 5 |
| R72 | ORD1000F609 | R,CARBON FILM 100 1/6W 5 |
| R74 | ORD1000F609 | R,CARBON FILM 100 1/6W 5 |
| R742 | ORD5100H609 | R,CARBON FILM 510 1/2W 5 |
| R745 | ORS0332H609 | R,METAL FILM OXIDE 33 1/2W 5 |
| R747 | ORD5101F609 | R,CARBON FILM 5.1K 1/6W 5 |
| " | ORD5101F609 | R,CARBON FILM 5.1K 1/6W 5 *ORION CPT |
| "(20") | ORD5101F609 | R,CARBON FILM 5.1K 1/6W 5 |
| "(14") | ORD1000F609 | R,CARBON FILM 100 1/6W 5 |
| R750 | ORD4701H609 | R,CARBON FILM 4.7K 1/2W 5 |
| R752 | ORD1201H609 | R,CARBON FILM 1.2K 1/2W 5 |
| R753 | ORD8201H609 | R,CARBON FILM 8.2K 1/2W 5 |
| R754 | ORD2001F609 | R,CARBON FILM 2.0K 1/6W 5 |
| R801 | ORD2701F609 | R,CARBON FILM 2.7K 1/6W 5 |
| R802 | ORD2201F609 | R,CARBON FILM 2.2K 1/6W 5 |
| R803 | ORD6800F609 | R,CARBON FILM 680 1/6W 5 |
| R805 | 180-A01P | R,CEMENT 0.13 OHM 2 W 5% *AV STEREO |
| " | 180-A01N | R,CEMENT 0.18 OHM 2 W 5% *MONO |
| R806 | ORD2401F609 | R,CARBON FILM 2.4K 1/6W 5 |
| R809 | ORS4702K607 | R,METAL FILM OXIDE 47K 2W 5% |

| LOCA. NO | PART NO | DESCRIPTION |
|-----------------------------|-------------|------------------------------------|
| R811 | 180-822N | R,RWR 7W 1.0 OHM J PD |
| R812 | 180-C02H | R,CARBON COMPOSIT RC 1/2W 8.2M K |
| R813 | ORS0101H609 | R,METAL FILM OXIDE 1.0 1/2W 5 |
| R814 | ORD4702F609 | R,CARBON FILM 47K 1/6W 5 |
| R815 | ORD0272H609 | R,CARBON FILM 27 1/2W 5 *AV STEREO |
| " | ORD0182H609 | R,CARBON FILM 18 1/2W 5 *MONO |
| R816 | ORD2001F609 | R,CARBON FILM 2.0K 1/6W 5 |
| R817 | ORS2202K607 | R,METAL FILM OXIDE 22K 2W 5% |
| R90 | ORD6200F609 | R,CARBON FILM 620 1/6W 5 |
| R901 | ORD2200F609 | R,CARBON FILM 220 1/6W 5 |
| R902 | ORD2200F609 | R,CARBON FILM 220 1/6W 5 |
| R903 | ORD2200F609 | R,CARBON FILM 220 1/6W 5 |
| R904(14") | ORD2200F609 | R,CARBON FILM 220 1/6W 5 |
| R905(14") | ORD2200F609 | R,CARBON FILM 220 1/6W 5 |
| R907 | ORS1501H609 | R,METAL FILM OXIDE 1.5K 1/2W 5 |
| R908 | ORS1501H609 | R,METAL FILM OXIDE 1.5K 1/2W 5 |
| R909 | ORS1501H609 | R,METAL FILM OXIDE 1.5K 1/2W 5 |
| R911 | ORD2204H609 | R,CARBON FILM 2.2M 1/2W 5 |
| SWITCH | | |
| SW01 | 140-315A | SWITCH,TACT VERT |
| SW02 | 140-315A | SWITCH,TACT VERT |
| SW03 | 140-315A | SWITCH,TACT VERT |
| SW04 | 140-315A | SWITCH,TACT VERT |
| SW05 | 140-315A | SWITCH,TACT VERT |
| SW06 | 140-315A | SWITCH,TACT VERT |
| Δ SW801 | 6600VM2002A | SWITCH,PUSH IEC 4A/128A250V 6. |
| CRYSTAL & FILTER | | |
| T501 | 166-C04C | FILTER,TRAP TPWA02B-TF21 |
| T503 | 166-C02D | FILTER,TRAP TPS6.0MB-TF21 |
| T504 | 166-C02B | FILTER,TRAP TPS4.5MB |
| T801 | 150-F06W | FILTER(CIRC),LINE SQE2930 36MH |
| X501 | 156-A01C | CRYSTAL 3.579545 90 OHM |
| X502 | 156-A01V | CRYSTAL,STD 80 OHM |
| Z101 | 166-A01Z | FILTER(CIRC),SAW OFWK2973M 38MHZ . |
| " | 166-A01M | FILTER, OFWK6265K(MONO) |
| Z652 | 166-B02E | FILTER,B.P FILTER SFSH6.5MCB-TF21 |
| Z653 | 166-B02D | FILTER,B.P FILTER SFSH6.0MCB-TF21 |
| Z654 | 166-B02A | FILTER,SFSH4.5MCB-TF21 |
| Z651 | 166-B02C | FILTER,B.P FILTER SFSH5.5MCB-TF21 |
| SUB(AV STEREO) BOARD | | |
| CS01 | 0CQ2231N509 | C,POLYESTER(MYLAR) 0.022MF 100V K |
| CS02 | 0CQ2231N509 | C,POLYESTER(MYLAR) 0.022MF 100V K |
| CS03 | 0CQ4721N509 | C,POLYESTER(MYLAR) 0.0047U 100V K |
| CS04 | 0CQ1041N509 | C,POLYESTER(MYLAR) 0.1MF 100V L |
| CS05 | 0CQ1221N419 | C,POLYESTER(MYLAR) 0.0012U 100V J |
| CS06 | 0CQ5621N509 | C,POLYESTER(MYLAR) 5600PF 100V K |
| CS07 | 181-007J | CAPACITOR MPE 50V 0.56UF J(TR) |
| CS08 | 0CE2251K636 | C,ELECTROLYTIC 2.2UF SM 50V M |
| CS09 | 0CE2251K636 | C,ELECTROLYTIC 2.2UF SM 50V M |
| CS10 | 0CE2251K636 | C,ELECTROLYTIC 2.2UF SM 50V M |
| CS11 | 0CQ1041N509 | C,POLYESTER(MYLAR) 0.1MF 100V L |
| CS12 | 0CQ1041N509 | C,POLYESTER(MYLAR) 0.1MF 100V L |
| CS13 | 0CQ1041N509 | C,POLYESTER(MYLAR) 0.1MF 100V L |
| CS14 | 0CQ1041N509 | C,POLYESTER(MYLAR) 0.1MF 100V L |
| CS15 | 0CQ2231N509 | C,POLYESTER(MYLAR) 0.022MF 100V K |

The components identified by shading and mark Δ are critical for safety. Replace only with part number specified.

| LOCA. NO | PART NO | DESCRIPTION |
|----------|-------------|-----------------------------------|
| CS16 | 0CQ1831N509 | C,POLYESTER(MYLAR) 0.018U 100V K |
| CS17 | 0CQ2231N509 | C,POLYESTER(MYLAR) 0.022MF 100V K |
| CS18 | 0CQ1831N509 | C,POLYESTER(MYLAR) 0.018U 100V K |
| CS19 | 0CQ5621N509 | C,POLYESTER(MYLAR) 5600PF 100V K |
| CS20 | 0CQ5621N509 | C,POLYESTER(MYLAR) 5600PF 100V K |
| CS21 | 181-007H | C,MPE 50V 0.47UF J(TR) |
| CS22 | 181-007H | C,MPE 50V 0.47UF J(TR) |
| CS23 | 181-007H | C,MPE 50V 0.47UF J(TR) |
| CS25 | 181-007H | C,MPE 50V 0.47UF J(TR) |
| CS26 | 181-007H | C,MPE 50V 0.47UF J(TR) |
| CS27 | 0CE226DF618 | C,ELECTROLYTIC 22UF STD 16V M |
| CS28 | 0CE106DF618 | C,ELECTROLYTIC 10UF STD 16V M |
| CS29 | 0CN1040K949 | C,TUBULA(HIGH DIELE) 0.1M 50V Z |
| ICS01 | 0ISG742900A | IC,TDA7429 42P,SDIP BK DIGITAL CO |
| LS01 | 0LA0102K119 | INDUCTOR,10UH K |
| RS01 | ORD5601F609 | R,CARBON FILM 5.6K 1/6W 5 |
| RS02 | ORD5601F609 | R,CARBON FILM 5.6K 1/6W 5 |
| RS03 | ORD2701F609 | R,CARBON FILM 2.7K 1/6W 5 |
| RS04 | ORD2701F609 | R,CARBON FILM 2.7K 1/6W 5 |
| RS05 | ORD1000F609 | R,CARBON FILM 100 1/6W 5 |
| RS06 | ORD1000F609 | R,CARBON FILM 100 1/6W 5 |

SUB(TELETEXT) BOARD

| | | |
|-------|-------------|--------------------------------------|
| C702 | 0CN1030F679 | C,TUBULA(HIGH DIELE) 0.01MF 16V M |
| C703 | 0CE107DF618 | C,ELECTROLYTIC 100UF STD 16V M |
| C704 | 0CX1800K409 | C,TUBULA(T.C) 18PF 50V J |
| C705 | 0CX8R20K509 | C,TUBULA(T.C) 8.2P 50V K |
| C706 | 0CN1040K949 | C,TUBULA(HIGH DIELE) 0.1M 50V Z |
| C707 | 0CQ1041N509 | C,POLYESTER(MYLAR) 0.1MF 100V L |
| C708 | 0CQ1041N509 | C,POLYESTER(MYLAR) 0.1MF 100V L |
| C709 | 0CQ1041N509 | C,POLYESTER(MYLAR) 0.1MF 100V L |
| C710 | 0CN1030F679 | C,TUBULA(HIGH DIELE) 0.01MF 16V M |
| C711 | 0CE476DF618 | C,ELECTROLYTIC 47UF STD 16V M |
| C712 | 0CE476DF618 | C,ELECTROLYTIC 47UF STD 16V M |
| C713 | 0CN1020K519 | C,TUBULA(HIGH DIELE) 1000PF 50V K |
| IC701 | 0IPH528100J | IC,SAAS281ZP/R 52SDIP BK TXT DECO |
| IC702 | 0IKE780500K | IC,KIA7805PI 3P(TO-220IS) 5V,1A |
| L701 | 0LA0331K119 | INDUCTOR 3.3UH K 2.3*3.4 TP |
| Q701 | 0TR319809AA | TR,KTC3198-TP-Y (KTC1815)KEC |
| R702 | ORD3301F609 | R,CARBON FILM 3.3K 1/6W 5 |
| R703 | ORD2702F609 | R,CARBON FILM 27K 1/6W 5 |
| R704 | ORD1002F609 | R,CARBON FILM 10K 1/6W 5 |
| R705 | ORD1601F609 | R,CARBON FILM 1.6K 1/6W 5 |
| R706 | ORD1601F609 | R,CARBON FILM 1.6K 1/6W 5 |
| R707 | ORD1601F609 | R,CARBON FILM 1.6K 1/6W 5 |
| R708 | ORD1601F609 | R,CARBON FILM 1.6K 1/6W 5 |
| R709 | ORD1601F609 | R,CARBON FILM 1.6K 1/6W 5 |
| R710 | ORD1601F609 | R,CARBON FILM 1.6K 1/6W 5 |
| R711 | ORD1001F609 | R,CARBON FILM 1.0K 1/6W 5 |
| R712 | ORD8200F609 | R,CARBON FILM 820 1/6W 5 |
| R713 | ORD1000F609 | R,CARBON FILM 100 1/6W 5 |
| R715 | ORD1000F609 | R,CARBON FILM 100 1/6W 5 |
| R716 | ORD1000F609 | R,CARBON FILM 100 1/6W 5 |
| R717 | ORD4700F609 | R,CARBON FILM 470 1/6W 5 |
| R718 | ORD2200F609 | R,CARBON FILM 220 1/6W 5 |
| X701 | 156-A02X | CRYSTAL,STD SUNNY RADIAL 27MHZ 25PPM |

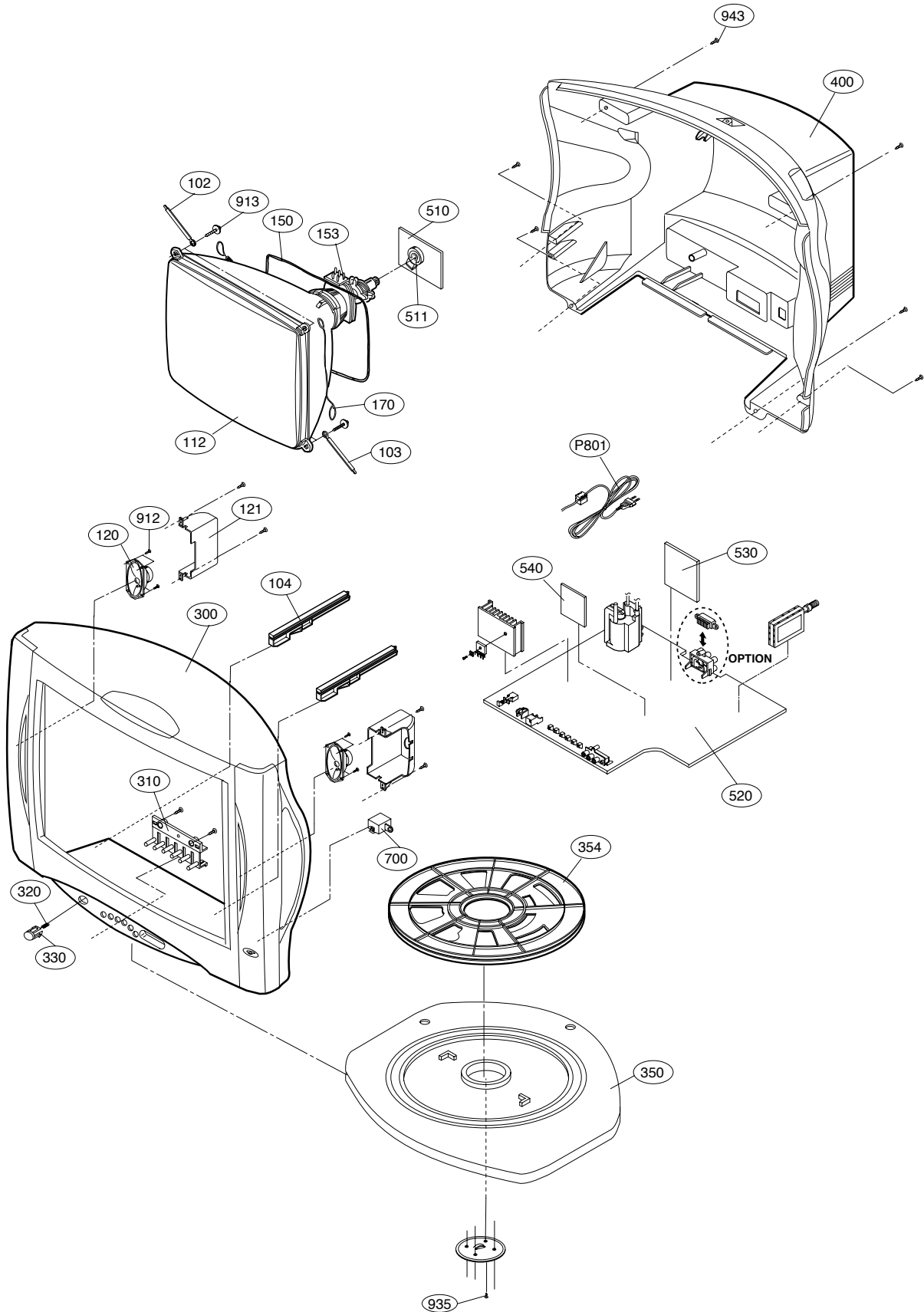
ACCESSORIES

| LOCA. NO | PART NO | DESCRIPTION |
|----------|-------------|--|
| | 132-199D | ANTENNA,ROD(W/ADAPTER L=650) |
| | 132-210H | ANTENNA,ROD,W/ADAPTER L=650 PAL |
| | 132-210J | ANTENNA,2 POLE 3 SECTION 700MM 750MM P |
| | 132-210G | ANTENNA,ROD W/ADAPTER L=500 |
| | 3828VA0141B | MANUAL,OWNERS MC84A , GS EN 0077/008? TX , , |
| | 3828VA0141D | MANUAL,OWNERS MC84A . LG EN 017F TX 340M BSC |
| | 3828VA0141N | MANUAL,OWNERS MC84A . GS EN TX.BASIC |
| | 6710V00017E | REMOTE CONTROLLER MC84A , MONO(W/O EYE),24KEY |
| | 6710V00017F | REMOTE CONTROLLER MC84A , MONO(W/EYE),25KEY |
| | 6710V00017L | REMOTE CONTROLLER MC84A , W/O TXT,W/EYE,NO BRAND |
| | 6710V00017P | REMOTE CONTROLLER MC-84A(STEREO) NO TXT,W/EYE,G/ |
| | 6710V00017Q | REMOTE CONTROLLER MC-84A MONO W/O EYE,GS |
| | 6710V00017J | REMOTE CONTROLLER MC-84A MONO W/O TXT,W/EYE |
| | 6710V00017H | REMOTE CONTROLLER MC-84A STEREO(W/O EYE) |
| | 6710V00020E | REMOTE CONTROLLER MC84A MONO(W/EYE), 46KEY |
| | 6710V00020F | REMOTE CONTROLLER MC84A MONO(W/O EYE), 45KEY |
| | 6710V00020M | REMOTE CONTROLLER MC84A W/EYE,TXT NO BRAND |
| | 6710V00007K | REMOTE CONTROLLER MC84A (TXT,EYE,STEREO) |

MISCELLANEOUS

| | | |
|---------------|-------------|--|
| | 303-F62A | COVER,TUNER |
| Δ F801 | 0FT4001B53C | FUSE, TIME LAG 4000MA 250 V |
| PA01 | 106-047F | PRE-AMP SBX1940-72(38.0KHZ) MESH |
| PJ201 | 381-091A | SOCKET,SCART JACK 21PIN |
| " | 6612VJH004B | JACK,RCA PJ6056B 4P MONO |
| PJ241 | 6613V00006A | JACK ASSY,3P+EAR(PJ6062A) |
| " | 6613V00006B | JACK ASSY,2P+EAR(PJ6062B) |
| Δ P801 | 174-009E | CORD,POWER(W/HOLD,HOUSING,L=200,4.0 |
| P901 | 6620VBC001A | SOCKET,CPT 29.1 PHI SINGLE(PCS629-03A) |
| " | 6620VBA001A | SOCKET,CPT PCS633A 14" |
| SG901 | 165-004A | SPARK GAP AG20PT 152F-L3N/S-23 |
| TH801 | 163-012C | THERMISTOR J502P54E180M220 |
| " | 163-054F | THERMISTOR J502P84D140M290Q 14" |
| TU101 | 6700VPF002A | TUNER TEU9-096A ALPS PAL 38.0MHZ FS |
| " | 6700VPF003B | TUNER TU8PSB02D LGEC PAL DIN 38.0MHZ |
| Δ T701 | 6174Z-8005A | FBT FTSPN13-T8005A 21" |
| " | 6174Z-8005E | FBT FTSPN13-T8005E 20" |
| " | 6174Z-8005F | FBT FTSPN13-T8005F 14" |
| " | 6174V-8003B | FBT FSA41012M 20,21" D/W |
| VD801 | 164-003D | VARIATOR,SVC 561D-14A |
| X01 | 166-E05C | RESONATOR,RESO, CST8.00MTW-TF01 |

EXPLODED VIEW(CT/CF-14/16/20/21S10E/X/12E)



EXPLODED VIEW PARTS LIST

The components identified by shading and mark Δ are critical for safety.
Replace only with part number specified.

| LOCA. NO | PART NO | DESCRIPTIONS |
|---------------|-------------|---|
| 102 | 341-721E | HOLDER,D-COIL(FOR SAFA,L=65) |
| 103 | 341-721F | HOLDER,D-COIL(FOR SAFA,L=130) |
| 104 | 343-B52A | SUPPORTER,PCB |
| Δ 112 | 2055-V0674C | CPT A51KPD12XX 14L7KR *CIS 21" |
| | 2055-V0672M | CPT A51KPD12XX 14T7KR (-0.2G)*ROCHA-M 21" |
| | 2055-V0672N | CPT A51KPD12XX 14Q7KR *E.B.G |
| | 2055-V0672Q | CPT A51KPD12XX 14M7KR *RADELEC,BROTHERS 21", LGEGF-IR |
| | 2055-V1221A | CPT A48QAD220X 03L7ND *CIS 20" |
| | 2055-V1221C | CPT A48QAD220X 03M7ND *LGEGF-IR,BROTHERS 20" |
| | 2055-V1221D | CPT A48QAD220X 03K7ND (+0.2)*LGEGF 20" |
| | 2055-V1221G | CPT A48QAD220X 03R7ND(-0.1G) *LGEAL |
| | 2055-00742A | CPT A34KPU02XX 31R7ND 14" |
| | 2055-00672M | CPT A51KPD12XX 14T7KR 21" W.R.S |
| | 2055-V0672P | CPT A51KPD12XX 14K7KR (+0.2)*LGEGF 21" |
| | 2055-V0672V | CPT A51KPD12XX 14R7KR 21" H.POINT |
| | 2055-V0744L | CPT A34KPU02XX 31T7ND (-0.2G)*ROCHA-M 14" |
| | 6335V21001A | CPT ASSY A51JSW91X LGESV |
| | 6335V20002B | CPT ASSY A48JLLX (ORION) |
| 120 | 120-D38F | SPEAKER,MID-RANGE C131P01-044K14 8 OHM |
| | 6400VA0001A | SPEAKER,8 OHM 5/12W 14" |
| 121 | 4810V00071A | BRACKET,COVER(SPK) |
| Δ 150 | 150-D02T | COIL,DEGAUSSING,AL 21" 56T 12 OHM |
| | 150-D02M | COIL,DEGAUSSING,CU 20" 60T 15 OHM |
| | 150-D02A | COIL,DEGAUSSING,CU 14" 42T 5.7OHM |
| Δ 153 | 153-110F | DY DCAN1*110F-21FSAA |
| | 153-113V | DY DCAD2-14SNAB 14" |
| | 153-276A | DY DCAM1-20PLAA |
| Δ 170 | 170-851B | LEAD SET ASSY,CPT EARTH(L=640) 20,21" |
| | 170-851A | LEAD SET ASSY,CPT EARTH(L=460) 14" |
| 300 | 3106V00057D | CABINET UNIT CF-21S10E, LG GOLDEN EYE |
| | 3106V00057B | CABINET UNIT CF-21S12E,BK, GOLDEN EYE |
| | 3106V00058F | CABINET UNIT CF-20S12E STEREO M/ST |
| | 3106V00058C | CABINET UNIT CF-20S10E,BK,GOLDEN |
| | 3106V00070B | CABINET UNIT 14S10E,LG,GOLDEN |
| | 3106V00057C | CABINET UNIT 21" W.R.S |
| | 3106V00057E | CABINET UNIT 21" H.POINT |
| | 3106V00058E | CABINET UNIT, CF-20S10EX LGEAL |
| 310 | 5020V00166A | BUTTON,CONTROL 21" |
| | 5020V00187A | BUTTON,CONTROL 20" |
| | 5020V00183A | BUTTON,CONTROL 14" |
| 320 | 320-070G | SPRING,COIL |
| 330 | 5020V00165A | BUTTON,POWER 21" |
| | 5020V00186A | BUTTON,POWER 20" |
| | 5020V00184A | BUTTON,POWER 14" |
| 350 | 3750V00009C | RACK,BASE ASSY 20"/21" BK COLOR |
| | 3750V00009A | RACK,BASE ASSY |
| 354 | 4980V00035A | SUPPORTER,BASE(SWIVEL+C/A) |
| 400 | 3809V00082D | BACK COVER ASSY A/V JACK |
| | 3809V00082A | BACK COVER ASSY SCART |
| | 3809V00097B | BACK COVER ASSY 14" A/V JACK |
| | 3809V00097E | BACK COVER ASSY 14" SCART |
| | 3809V00082B | BACK COVER ASSY 21" PHONO |
| | 3809V00082C | BACK COVER ASSY 21" PHONO |
| 511 | 6620VBC001A | SOCKET,CPT 29.1 PHI SINGLE |
| 520 | 6871VMM158X | PWB ASSY,MAIN(84A)[07.01] 21" CIS CF-21S10EX |
| | 6871VMM158Y | PWB ASSY,MAIN(84A)[07.01] 21" CIS CF-21S10E |
| | 6871VMM205D | PWB ASSY,MAIN(84A)[13.01] 21" RADELEC |
| | 6871VMM206G | PWB ASSY,MAIN(84A)[07.01] 20" LGEAL |
| | 6871VMM209D | PWB ASSY,MAIN(84A)[07.01] 21" BROTHERS CF-21S10E |
| | 6871VMM209H | PWB ASSY,MAIN(84A)[05.01] 20" LGEGF-IR CF-20S12E |
| | 6871VMM209R | PWB ASSY,MAIN(84A)[05.01] CF-21S12E LGEGF-IR |
| | 6871VMM158U | PWB ASSY,MAIN(84A)[13.01] 20" SBITANY |
| | 6871VMM158Z | PWB ASSY,MAIN(84A)[07.01] 20" CIS CF-20S10E |
| | 6871VMM209C | PWB ASSY,MAIN(84A)[07.01] 20" BROTHERS CF-20S10E |
| | 6871VMM158T | PWB ASSY,MAIN(84A)[05.05] 14" MCR |
| | 6871VMM158V | PWB ASSY,MAIN(84A)[07.05] 21" W.R.S |
| | 6871VMM158N | PWB ASSY,MAIN(84A)[07.05] 21" H.POINT |
| | 6871VMM219B | PWB ASSY,MAIN(84A)[05.01] CF-21S12EX LGEGF-IR |
| | 6871VMM219E | PWB ASSY,MAIN(84A)[05.01] CF-20S12EX LGEGF-IR |
| | 6871VMM219F | PWB ASSY,MAIN(84A)[07.01] CF-20S10E ORION CPT |
| | 6871VMM229X | PWB ASSY,MAIN(84A)[13.01] 14" ROCHA-M |
| | 6871VMM272A | PWB ASSY,MAIN(84A)[13.01] 21" ROCHA-M |
| | 6871VMM199D | PWB ASSY,MAIN 1 [21.00] KCD 21S122 |
| | 6871VMM236G | PWB ASSY,MAIN(84A)[05.01] 20" CIS CF-20S12E |
| | 6871VMM236H | PWB ASSY,MAIN(84A)[05.01] 21" CIS CF-21S12E |
| | 6871VMM269A | PWB ASSY,MAIN(84A)[23.01] 20" LGEGF CT-20S10E |
| | 6871VMM270A | PWB ASSY,MAIN(84A)[23.01] 21" LGEGF CT-21S10E |
| 540 | 6871VSM201A | PWB ASSY,SUB(84A)TXT P/R ETC |
| 700 | 01GL120104A | CDS SENSOR |
| 912 | 1PTF0402816 | SCREW,TRUSS HEAD D4 L12 |
| 913 | 332-057B | SCREW ASSY,HEXAGON HEAD 20,21" |
| | 332-057A | SCREW ASSY,HEXAGON HEAD 14" |
| 943 | 1PPF0403116 | SCREW,PAN HEAD D4 L16 |
| 935 | 1PTF0402816 | SCREW,TRUSS HEAD D4 L12 |
| Δ P801 | 174-009E | CORD,POWER(W/HOLD,HOUSING,L=200,4.0 |
| | 174-224A | CORD,POWER |