

Service Manual

ViewSonic VG910s/b

Model No. VLCDS27944-3W/-4W

19" Color TFT LCD Display

(VG910s/b_SM_721 Rev. 1a Mar. 2004)

ViewSonic® 381 Brea Canyon Road, Walnut, California 91789 USA - (800) 888-8583

Copyright

Copyright © 2003 by ViewSonic Corporation. All rights reserved. No part of this publication may be reproduced, transmitted, transcribed, stored in a retrieval system, or translated into any language or computer language, in any form or by any means, electronic, mechanical, magnetic, optical, chemical, manual or otherwise, without the prior written permission of ViewSonic Corporation.

Disclaimer

ViewSonic makes no representations or warranties, either expressed or implied, with respect to the contents hereof and specifically disclaims any warranty of merchantability or fitness for any particular purpose. Further, ViewSonic reserves the right to revise this publication and to make changes from time to time in the contents hereof without obligation of ViewSonic to notify any person of such revision or changes.

Trademarks

Optiquest is a registered trademark of ViewSonic Corporation.
ViewSonic is a registered trademark of ViewSonic Corporation.
All other trademarks used within this document are the property of their respective owners.

Revision History

Revision	Date	Description Of Changes	Approval
1a	03/03/04	Initial Release DCN-3605	Angela Luh

TABLE OF CONTENTS

1. Precautions and Safety Notices	1
2. Specification	2
3. Front Panel Function Control Description	13
4. Circuit Description	19
5. Adjusting Procedure	20
6. Trouble Shooting Flow Chart	23
7. Recommended Spare Parts List	29
8. Exploded Diagram And Spare Parts List	47
9. Block Diagram	51
10. Schematic Diagrams	52
11. PCB Layout Diagrams	62

1. Precautions and Safety Notices

Prior to using this manual, please ensure that you have carefully followed all the procedures outlined in the user manual for this product.

- Read all of these instructions.
- Save these instructions for later use.
- Follow all warnings and instructions marked on the product.
- Do not use this product near water.
- This display should be installed on a solid horizontal base.
- When cleaning, use only a neutral detergent cleaner with a soft damp cloth. Do not spray with liquid or aerosol cleaners.
- Do not expose this display to direct sunlight or heat. Hot air may cause damage to the cabinet and other parts.
- Adequate ventilation must be maintained to ensure reliable and continued operation and to protect the display from overheating. Do not block ventilation slots and openings with objects or install the display in a place where ventilation may be hindered.
- Do not install this display near a motor or transformer where strong magnetism is generated. Images on the display will become distorted and the color irregular.
- Do not allow metal pieces or objects of any kind fall into the display from ventilation holes.

Slots and openings in the cabinet and the back or bottom are provided for ventilation, to ensure reliable operation of the product and to protect it from overheating, those openings must not be blocked or covered. The openings should never be blocked by placing the product on a bed, sofa, rug, or other similar surface. This product should never be placed near or over a radiator or heat register. This product should not be placed in a built-in installation unless proper ventilation is provided.

2. Specification

2.1 General Description

LCD Fujitsu FLC48SXC11V AU M190EN02V2	Active matrix thin-film-transistor (TFT) Type No: FLC48SXC11V/M190EN02V2	
	Active screen Size	19.0 inches diagonal
	Effective Display Size	376.32mm (H) × 301.056mm (V)
	Pixel Pitch	0.294mm (H) × 0.294mm(V)
	Pixel Format	1280×1024 (SXGA)
	Brightness	250cd/m ² (Typ.)
	Contrast Ratio	600:1 (Typ.)
	Color (8 bits)	16,777,216 colors
	Viewing Angle range (CR 10, at Ta=25°C)	Up 85° Down 85°(type) Left 85° Right 85°(type)
	Backlight	4 CCFL
Input Signals	Analog RGB 0.7Vp-p / 75 Digital RGB DVI Ver1.0 (TMDS Single Link) H/V Separate sync. Sync 2.0~5.0Vp-p, Positive/Negative, 2.2K	
Input connector	Analog D-sub 15 pin *1 Digital DVI-D 24pin *1	
Synchronization	Horizontal	30 kHz to 82 kHz (automatically)
	Vertical	50 Hz to 85 Hz (automatically)
	Non-interlaced	
		Maximum Pixel Rated 135MHz
Resolution	Horizontal	1280 dots
	Vertical	1024 lines
Active Display Area	Horizontal	376.32 mm (typical, panel depends)
	Vertical	301.056 mm (typical, panel depends)
Power Supply Voltage Rating	AC input	AC 100V~240V / 2A, 47.5~63Hz
	DC 12V	5A.
AC Power Consumption	less than 60W	On mode.
	less than 1W	Active OFF mode.
	less than 1W	DC Power OFF.
Current Rating	AC input	2A @AC 100~240V.
Dimensions	Net	422.4(W) x 382.1(H) x 62.0 (D) mm
	Gross	422.4(W) x 438.48(H) x 180.56(D) mm (With stand base)
	Depth(head only)	180.56mm
Weight	Net	7.5 Kg
	Gross	10.2 Kg
Environmental Conditions	Operating Temperature	0 to 40°C
	Operating Humidity	20 to 85%
	Storage Temperature	-20 to 60°C
	Storage Humidity	5 to 85% (non-condensation)
Accessories	AC cable	1.8m
	User Guide	English
	CD Rom	1
	Warranty Card	1
	HD15 - HD15 cable	1
	DVI(D) - DVI(D) cable	1

Regulatory Standards	UL, cUL, FCC-B, CB, CE, EPA, NOM, TUV/GS, TUV ERGO (covers ISO13406-2 & MPRII), NEMKO, SEMKO, DEMKO, FIMKO, GOST-R + 20 ORIGINAL COPIES HYGIENIC, PCBC, VCCI, BSMI, CCEE, PSB,C-TICK, TUV-S, TCO'99(VG910b), TCO'03(VG910s), Energy, Energy Star, PCT, Taiwan Green Mark
Others	Tilt Angle 20° up / 5° down VESA DDC 2B compatible

2.2 Electrical Characteristics

2.2.1 Power Supply

AC Input Voltage AC 100~240V / 47.5~63Hz

Power Consumption :

Less than 60W On mode
Less than 1W Active Off mode
Less than 1W DC power Off
Current Rating 2A @ AC 100~240V

Inrush Current

Less than 50 Amp(peak) for 120 VAC
Less than 100 Amp(peak) for 220 VAC
Power cord : detachable, 3P, 1.8m

2.2.2 LCD

LCD Active matrix thin-film-transistor (TFT)
Active screen size 19.0 inches (376.32mm × 301.056mm) diagonal
Pixel Format 1280 x 1024 (SXGA)
R.G.B. stripe arrangement
Display method TFT, normally Black
Pixel pitch 0.294 (H) x 0.294 (V) mm
Dot number 1280 x 1024 x 3 dots
Backlight Edge-lighting type with 4 CCFL
(Cold Cathode Fluorescent Lamp)
Brightness 250 cd/m² (Typ.)
Contrast ratio 600:1 (Typ.)
Display color 16,777,216 colors
viewing angle typical Up 85° / down 85° / right 85° / left 85°
(Contrast ratio 10 at Ta=25°C / 77°F)
Response time Rise time 15mS, Fall time 10mS (Typ. at Ta=25°C)

2.2.3 Power Management

VG910 will enter power saving mode under the following conditions:

Power Management condition and status in AC 240V

State	Signals			Power Supply	LED
	Horizontal	Vertical	Video		
On	Pulses	Pulses	Active	<60W	Green
Active off	Pulse	No Pulse	Blank	<1W	Amber
	No Pulse	Pulse			
	No Pulses	No Pulses			
Out off scan range	<30KHz , >82KHz	<50Hz , >85Hz	-	<60W	Green

AC power Off	-	-	-	Off	Off
DC power Off	-	-	-	<1W	Off

2.3 Video alignment

2.3.1 COLOR TEMPERATURE ALIGNMENT

- a. APPLY VESA 1280x1024 / 60Hz , FULL WHITE PATTERN.(INPUT SIGNAL LEVEL =0.7Vp-p)
- b. AUTO WHITE BALANCE MUST BE FINISH AT 32 GRAY PATTERN BEFORE AUTO ALIGNMENT,
- c. SET DEFAULT → CONTRAST TO 70% , BRIGHTNESS TO 100%

9300°K, 6500°K, : R G B SUB-BRIGHTNESS SET AS BELOW

	9300°K	6500°K	5400°K	5000°K
R SUB-BRIGHTNESS	128	128	128	128
G SUB-BRIGHTNESS	128	128	128	128
B SUB-BRIGHTNESS	128	128	128	128

SET BRIGHTNESS = 255, BLACKLEVEL = 255 AT FACTORY DEFAULT.

2.3.2 DIGITAL ALIGNMENT

2.3.2.1 APPLY VESA 1280x1024 / 60Hz , FULL WHITE PATTERN ,

2.3.2.2 ADJUST R, G, B SUB-CONTRAST TO MEET FOLLOWING CHROMATICITY SPEC.

$$x = 0.313 \pm 0.003 , y = 0.329 \pm 0.003$$

2.3.3 ANALOG ALIGNMENT

2.3.3.1 9300°K HIGH LUMINANCE ALIGNMENT

2.3.3.1.1 APPLY VESA 1280x1024 / 60Hz , FULL WHITE PATTERN.

2.3.3.1.2 ADJUST R, G, B SUB-CONTRAST TO MEET FOLLOWING CHROMATICITY SPEC.

$$9300^{\circ}\text{K} \quad x = 0.283 \pm 0.003, y = 0.298 \pm 0.003 , Y > 155 \text{ cd/m}^2$$

2.3.3.2 6500°K HIGH LUMINANCE ALIGNMENT

2.3.3.2.1 APPLY VESA 1280x1024 / 60Hz , FULL WHITE PATTERN.

2.3.3.2.2 ADJUST R, G, B SUB-CONTRAST TO MEET FOLLOWING CHROMATICITY SPEC.

$$6500^{\circ}\text{K} \quad x = 0.313 \pm 0.003, y = 0.329 \pm 0.003 , Y > 190 \text{ cd/m}^2$$

2.3.3.3 5400°K HIGH LUMINANCE ALIGNMENT

2.3.3.3.1 APPLY VESA 1280x1024 / 60Hz , FULL WHITE PATTERN.

2.3.3.3.2 ADJUST R, G, B SUB-CONTRAST TO MEET FOLLOWING CHROMATICITY SPEC.

$$5400^{\circ}\text{K} \quad x = 0.335 \pm 0.003, y = 0.350 \pm 0.003 , Y > 180 \text{ cd/m}^2$$

2.3.3.4 5000°K HIGH LUMINANCE ALIGNMENT

2.3.3.4.1 APPLY VESA 1280x1024 / 60Hz , FULL WHITE PATTERN.

2.3.3.4.2 ADJUST R, G, B SUB-CONTRAST TO MEET FOLLOWING CHROMATICITY SPEC.

$$5000^{\circ}\text{K} \quad x = 0.346 \pm 0.003, y = 0.359 \pm 0.003 , Y > 180 \text{ cd/m}^2$$

2.3.4 LUMINANCE TEST

2.3.4.1 SET COLOR Temperature TO 9300°K

APPLY VESA 1280x1024/60Hz , APPLY FULL WHITE PATTERN, ADJUST OSD BRIGHTNESS = 100%, CONTRAST = 70%.

1. THE LUMINANCE MEASURE SHOULD BE OVER 155cd/m²

2.3.4.2 SET COLOR Temperature TO 6500°K

APPLY VESA 1280x1024 / 60Hz , APPLY FULL WHITE PATTERN, ADJUST OSD BRIGHTNESS = 100%, CONTRAST = 70%

1. THE BRIGHTNESS MEASURE SHOULD BE OVER 190cd/m²

2. SET BRIGHTNESS =100% , CONTRAST=100% ,THE LUMINANCE MEASURE SHOULD BE OVER 220cd/m²

2.3.4.3 SET COLOR Temperature TO 5400°K

APPLY VESA 1280x1024 / 60Hz , APPLY FULL WHITE PATTERN, ADJUST OSD BRIGHTNESS = 100%, CONTRAST = 70%

1. THE BRIGHTNESS MEASURE SHOULD BE OVER 180cd/m²

2.3.4.4 SET COLOR Temperature TO5000°K

APPLY VESA 1280x1024 / 60Hz , APPLY FULL WHITE PATTERN, ADJUST OSD BRIGHTNESS = 100%, CONTRAST = 70%

1. THE BRIGHTNESS MEASURE SHOULD BE OVER 180 cd/m²

2.3.4.5 APPLY VESA 1280x1024/60Hz , APPLY FULL WHITE PATTERN, ADJUST OSD BRIGHTNESS 100%, CONTRAST 70% ,

MEASUREMENT AT CENTER OF SCREEN

MODE	X	y	Y
9300°K	0.283±0.010	0.298 ±0.010	OVER 155 cd/m ²
6500°K	0.313 ±0.010	0.329 ±0.010	OVER190 cd/m ²
5400°K	0.335 ±0.010	0.350 ±0.010	OVER 180 cd/m ²
5000°K	0.346 ±0.010	0.359 ±0.010	OVER 180 cd/m ²

2.4 Key function define

Key “Vol -”	Key “Vol +”	Key “1”	Key “DOWN ”	Key “UP”	Key “2”	power	functions
							Factory mode
							Burn in off
							Burn in on
							All mode recall
							Lock(Unlock) Power Key
							Lock(Unlock) Osd Key
							Read EDID

2.5 EDID SERIAL NO. FORMAT

2.5.1 EDID for VG910s

2.5.1.1 Analog EDID

128 BYTES OF EDID CODE:

	0	1	2	3	4	5	6	7	8	9
0	00	FF	FF	FF	FF	FF	FF	00	5A	63
10	18	DA	01	01	01	01	01	0D	01	03
20	0E	26	1E	78	2E	5E	35	A4	59	4A
30	98	25	10	50	54	BF	EF	80	81	80
40	81	40	71	4F	01	01	01	01	01	01
50	01	01	01	01	30	2A	00	98	51	00
60	2A	40	30	70	13	00	78	2D	11	00
70	00	1E	00	00	00	FF	00	41	33	31
80	30	33	30	31	30	30	30	30	31	0A
90	00	00	00	FD	00	32	4B	1E	52	0E
100	00	0A	20	20	20	20	20	20	00	00
110	00	FC	00	56	47	39	31	30	73	0A
120	20	20	20	20	20	20	00	7B		

2.5.1.2 Digital EDID

128 BYTES OF EDID CODE:

	0	1	2	3	4	5	6	7	8	9
0	00	FF	FF	FF	FF	FF	FF	00	5A	63
10	18	DA	01	01	01	01	01	0D	01	03
20	80	26	1E	78	2E	5E	35	A4	59	4A
30	98	25	10	50	54	BF	EF	80	81	80
40	81	40	71	4F	31	0A	01	01	01	01
50	01	01	01	01	30	2A	00	98	51	00
60	2A	40	30	70	13	00	78	2D	11	00
70	00	1E	00	00	00	FF	00	41	33	31
80	30	33	30	31	30	30	30	30	31	0A
90	00	00	00	FD	00	32	4B	1E	52	0E
100	00	0A	20	20	20	20	20	20	00	00
110	00	FC	00	56	47	39	31	30	73	0A
120	20	20	20	20	20	20	00	D0		

2.5.2 EDID for VG910b

2.5.2.1 Analog EDID

128 BYTES OF EDID CODE:

	0	1	2	3	4	5	6	7	8	9
0	00	FF	FF	FF	FF	FF	FF	00	5A	63
10	18	DB	01	01	01	01	01	0D	01	03
20	0E	26	1E	78	2E	5E	35	A4	59	4A
30	98	25	10	50	54	BF	EF	80	81	80
40	81	40	71	4F	01	01	01	01	01	01
50	01	01	01	01	30	2A	00	98	51	00
60	2A	40	30	70	13	00	78	2D	11	00
70	00	1E	00	00	00	FF	00	41	33	32
80	30	33	30	31	30	30	30	30	31	0A
90	00	00	00	FD	00	32	4B	1E	52	0E
100	00	0A	20	20	20	20	20	20	00	00
110	00	FC	00	56	47	39	31	30	62	0A
120	20	20	20	20	20	20	00	8A		

2.5.2.2 Digital EDID

128 BYTES OF EDID CODE:

	0	1	2	3	4	5	6	7	8	9
0	00	FF	FF	FF	FF	FF	FF	00	5A	63
10	18	DB	01	01	01	01	01	0D	01	03
20	80	26	1E	78	2E	5E	35	A4	59	4A
30	98	25	10	50	54	BF	EF	80	81	80
40	81	40	71	4F	31	0A	01	01	01	01
50	01	01	01	01	30	2A	00	98	51	00
60	2A	40	30	70	13	00	78	2D	11	00
70	00	1E	00	00	00	FF	00	41	33	32
80	30	33	30	31	30	30	30	30	31	0A
90	00	00	00	FD	00	32	4B	1E	52	0E
100	00	0A	20	20	20	20	20	20	00	00
110	00	FC	00	56	47	39	31	30	62	0A
120	20	20	20	20	20	20	00	DF		

APPENDIX A : PRESET TIMING CHART

Analog Mode

		1	2	3	4	5	6	7
Signal name	symbol	TEXT mode	TEXT mode	VGA	MAC-II	VESA-VGA	VESA-VGA	VESA-VGA
H-frequency (kHz)		31.468	31.469	31.468	35.001	37.5	37.862	43.269
V-frequency (Hz)		70.087	70.087	59.941	66.667	75	72.807	85.005
Pixel rate (MHz)		25.175	28.322	25.175	30.240	31.5	31.501	36.000
H-sync	Ths	96	108	96	64	64	40	56
H-back porch	Thb	48	54	48	96	120	128	80
Count num (H-total)	Thd	800	900	800	864	840	832	832
H- front porch	Thf	16	18	16	64	16	24	56
V-sync	Tvs	2	2	2	3	3	3	3
V-back porch	Tvb	60	35	33	39	16	28	25
Count num (V-total)	Tvd	449	449	525	525	500	520	509
V-front porch	Tvf	37	12	10	3	1	9	1
H-sync. Polarity		Positive	Negative	Negative	Negative	Negative	Negative	Negative
V-sync Polarity		Negative	Positive	Negative	Negative	Negative	Negative	Negative
H-resolution (dots)		640	720	640	640	640	640	640
V-resolution (lines)		350	400	480	480	480	480	480

		8	9	10	11	12	13	14
Signal name	Symbol	IBM-8514 A	SVGA	SVGA	SVGA	SVGA	MAC 16"	XGA
H-frequency (kHz)		35.156	37.879	48.077	46.875	53.674	49.725	48.363
V-frequency (Hz)		56.250	60.317	72.188	75.000	85.061	74.5	60.004
Pixel rate (MHz)		36.000	40.000	50.000	49.500	56.250	57.283	65.000
H-sync	Ths	72	128	120	80	64	64	136
H-back porch	Thb	128	88	64	160	152	224	160
Count num (H-total)	Thd	1024	1056	1040	1056	1048	1152	1344
H- front porch	Thf	24	40	56	16	32	32	24
V-sync	Tvs	2	4	6	3	3	3	6
V-back porch	Tvb	22	23	23	21	27	39	29
Count num (V-total)	Tvd	625	628	666	625	631	667	806
V-front porch	Tvf	1	1	37	1	1	1	3
H-sync. Polarity		Negative	Positive	Positive	Positive	Positive	Negative	Negative
V-sync Polarity		Negative	Positive	Positive	Positive	Positive	Negative	Negative
H-resolution (dots)		800	800	800	800	800	832	1024
V-resolution (lines)		600	600	600	600	600	624	768

		15	16	17	18	19	20	21
Signal name	Symbol	XGA	XGA	XGA	XGA	SXGA	720P	SXGA
H-frequency (kHz)		56.476	58.099	60.023	68.677	63.981	45.000	79.976
V-frequency (Hz)		70.069	72.082	75.029	84.997	60.02	60.00	75.025
Pixel rate (MHz)		75.000	78.084	78.750	94.500	108	74.250	135
H-sync	Ths	136	136	96	96	112	40	144
H-back porch	Thb	144	160	176	208	248	270	248
Count num (H-total)	Thd	1328	1344	1312	1376	1688	1658	1688
H- front porch	Thf	24	24	16	48	48	60	16
V-sync	Tvs	6	6	3	3	3	5	3
V-back porch	Tvb	29	29	28	36	38	20	38
Count num (V-total)	Tvd	806	806	800	808	1066	750	1066
V-front porch	Tvf	3	3	1	1	1	5	1
H-sync. Polarity		Negative	Negative	Positive	Positive	Positive	Negative	Positive
V-sync Polarity		Negative	Negative	Positive	Positive	Positive	Negative	Positive
H-resolution (dots)		1024	1024	1024	1024	1280	1280	1280
V-resolution (lines)		768	768	768	768	1024	720	1024

Notes: Because this model no support FRC and in order to meet the panel spec of vertical frequency, some timing can not full screen in vertical size.

Ex:640x400/70Hz;640x350/70Hz ;720x400/70Hz ;640x480/85Hz;800x600/85Hz;
1024x768/85Hz.

Digital Mode

		1	2	3	4	5	6	7
Signal name	symbol	TEXT mode	TEXT mode	VGA	VGA	VESA-VGA	VESA-VGA	VESA-VGA
H-frequency (kHz)		31.468	31.469	31.468	31.468	37.5	37.862	43.269
V-frequency (Hz)		70.087	70.087	70.000	59.941	75	72.807	85.005
Pixel rate (MHz)		25.175	28.322	25.175	25.175	31.5	31.501	36.000
H-sync	Ths	96	108	96	96	64	40	56
H-back porch	Thb	48	54	48	48	120	128	80
Count num (H-total)	Thd	800	900	800	800	840	832	832
H- front porch	Thf	16	18	16	16	16	24	56
V-sync	Tvs	2	2	2	2	3	3	3
V-back porch	Tvb	60	35	35	33	16	28	25
Count num (V-total)	Tvd	449	449	449	525	500	520	509
V-front porch	Tvf	37	12	10	6	1	9	1
H-sync. Polarity		Positive	Negative	Negative	Negative	Negative	Negative	Negative
V-sync Polarity		Negative	Positive	Negative	Negative	Negative	Negative	Negative
H-resolution (dots)		640	720	640	640	640	640	640
V-resolution (lines)		350	400	400	480	480	480	480

		8	9	10	11	12	13	14
Signal name	Symbo l	IBM-8514A	SVGA	SVGA	SVGA	SVGA	XGA	XGA
H-frequency (kHz)		35.156	37.879	48.077	46.875	53.674	48.363	56.476
V-frequency (Hz)		56.250	60.317	72.188	75.000	85.061	60.004	70.069
Pixel rate (MHz)		36.000	40.000	50.000	49.500	56.250	65.000	75.000
H-sync	Ths	72	128	120	80	64	136	136
H-back porch	Thb	128	88	64	160	152	160	144
Count num (H-total)	Thd	1024	1056	1040	1056	1048	1344	1328
H- front porch	Thf	24	40	56	16	32	24	24
V-sync	Tvs	2	4	6	3	3	6	6
V-back porch	Tvb	22	23	23	21	27	29	29
Count num (V-total)	Tvd	625	628	666	625	631	806	806
V-front porch	Tvf	1	1	37	1	1	3	3
H-sync. Polarity		Negative	Positive	Positive	Positive	Positive	Negative	Negative
V-sync Polarity		Negative	Positive	Positive	Positive	Positive	Negative	Negative
H-resolution (dots)		800	800	800	800	800	1024	1024
V-resolution (lines)		600	600	600	600	600	768	768

		15	16	17	18	19
Signal name	Symbol	XGA	XGA	XGA	SXGA	HD-720P
H-frequency (kHz)		58.099	60.023	68.677	63.981	45.000
V-frequency (Hz)		72.082	75.029	84.997	60.02	60.00
Pixel rate (MHz)		78.084	78.750	94.500	108	74.250
H-sync	Ths	136	96	96	112	40
H-back porch	Thb	160	176	208	248	270
Count num (H-total)	Thd	1344	1312	1376	1688	1658
H- front porch	Thf	24	16	48	48	60
V-sync	Tvs	6	3	3	3	5
V-back porch	Tvb	29	28	36	38	20
Count num (V-total)	Tvd	806	800	808	1066	750
V-front porch	Tvf	3	1	1	1	5
H-sync. Polarity		Negative	Positive	Positive	Positive	Negative
V-sync Polarity		Negative	Positive	Positive	Positive	Negative
H-resolution (dots)		1024	1024	1024	1280	1280
V-resolution (lines)		768	768	768	1024	720

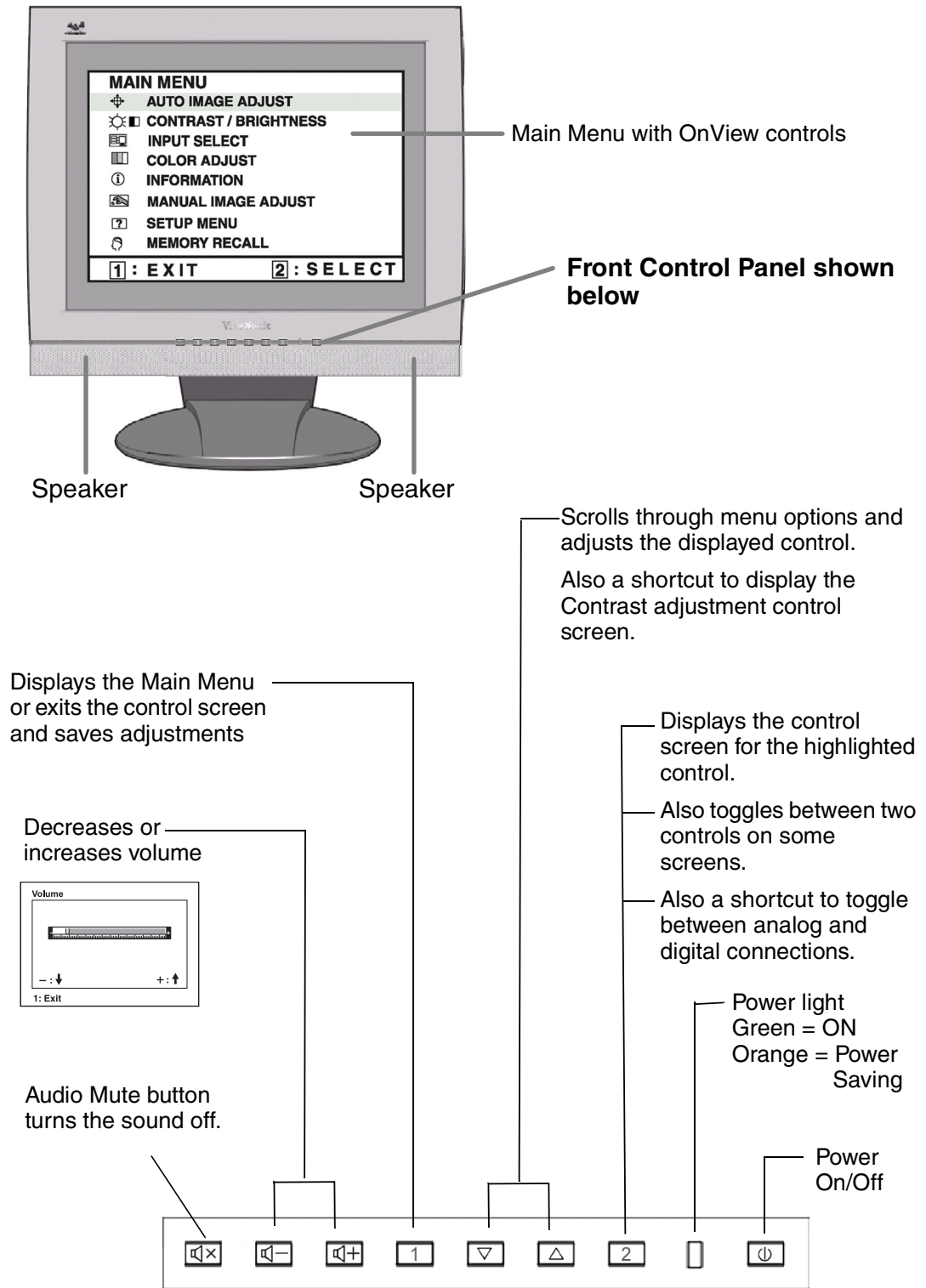
Notes: Because this model no support FRC and in order to meet the panel spec of vertical frequency, some timing can not full screen in vertical size.

Ex:640x400/70Hz;640x350/70Hz ;720x400/70Hz ;640x480/85Hz;800x600/85Hz;
1024x768/85Hz.

3. Front Panel Function Control Description

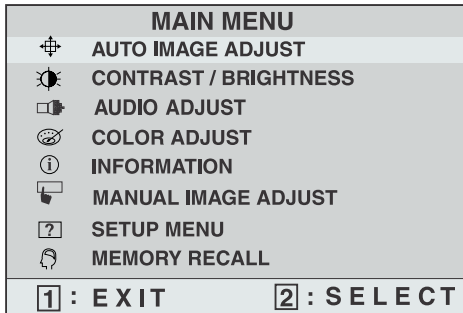
Adjusting the Screen Image:

Use the buttons on the front control panel to display and adjust the OnView® controls which display on the screen. The OnView controls are explained at the top of the next page and are defined in “Main Menu Controls” on page 9.



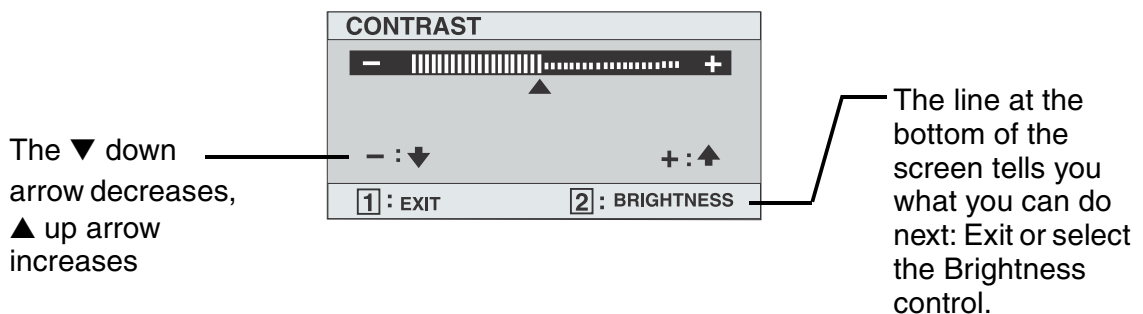
Do the following to adjust the screen image:

- 1 To display the Main Menu, press button [1].



NOTE: All OnView menus and adjustment screens disappear automatically after about 30 seconds.

- 2 To select a control you want to adjust, press ▲ or ▼ to scroll up or down the Main Menu.
- 3 After the control is selected, press button [2]. A control screen like the one shown below appears.



- 4 To adjust the control, press the up ▲ or down ▼ buttons.
- 5 To save the adjustments and exit the menu, press button [1] *twice*.

The following tips may help you optimize your display:

- Adjust your computer's graphic card so that it outputs a video signal 1280 x 1024 @ 60 Hz to the LCD display. (Look for instructions on "changing the refresh rate" in your graphic card's user guide.)
- If necessary, make small adjustments using H POSITION and V POSITION until the screen image is completely visible. (The black border around the edge of the screen should barely touch the illuminated "active area" of the LCD display.)

Main Menu Controls

Adjust the menu items shown below by using the up ▲ and down ▼ buttons.

Control	Explanation
---------	-------------



Auto Image Adjust automatically sizes, centers, and fine tunes the video signal to eliminate waviness and distortion.

Press the [2] button to obtain a sharper image.

NOTE: Auto Image Adjust works with most common video cards. If this function does not work on your LCD display, then lower the video refresh rate to 60 Hz and set the resolution to its pre-set value.



Contrast adjusts the difference between the image background (black level) and the foreground (white level).

Brightness adjusts background black level of the screen image.



Audio Adjust

AUDIO ADJUST	
VOLUME	
BALANCE	
BASS	
TREBLE	
MUTE	
[1] : EXIT	[2] : SELECT

Volume increases the volume, decreases the volume, and mutes the audio.

Balance adjusts the proportion of sound coming from each speaker.

Bass adjusts the low (bass) frequency audio output.

Treble adjusts the high (treble) frequency audio output.

Mute temporarily silences audio output.

Control Explanation



Color Adjust provides several color adjustment modes: preset color temperatures and **RGB** which allows you to adjust red (**R**), green (**G**), and blue (**B**) separately. The factory setting for this product is 6500K (6500 Kelvin).

COLOR ADJUST	
sRGB	
9300K	
6500K	
5400K	
5000K	
USER COLOR	
1 : EXIT	2 : SELECT

sRGB — sRGB is quickly becoming the industry standard for color management, with support being included in many of the latest applications. Enabling this setting allows the LCD display to more accurately display colors the way they were originally intended. Enabling the sRGB setting will cause the Contrast and Brightness adjustments to be disabled.

9300K — Adds blue to the screen image for cooler white (used in most office settings with fluorescent lighting).

6500K — Adds red to the screen image for warmer white and richer red.

5400K — Adds green to the screen image for a darker color.

5000K — Adds blue and green to the screen image for a darker color.

User Color — Individual adjustments for red (R), green (G), and blue (B).

1 To select color (R, G or B) press button [2].

2 To adjust selected color, press ▲ or ▼.

Important: If you select RECALL from the Main Menu when the product is set to a Preset Timing Mode, colors return to the 6500K factory preset.



Information displays the timing mode (video signal input) coming from the graphics card in your computer. See your graphic card’s user guide for instructions on changing the resolution and refresh rate (vertical frequency).

NOTE: VESA 1280 x 1024 @ 60 Hz (recommended) means that the resolution is 1280 x 1024 and the refresh rate is 60 Hertz.

INFORMATION	
RESOLUTION :	*** x ***
FREQUENCY: H =	*** kHz
V =	*** Hz
MODEL NUMBER :	*****
SERIAL NUMBER :	*****
WEB SITE :	www.ViewSonic.com
[1] : EXIT	



Manual Image Adjust displays the Manual Image Adjust menu.

MANUAL IMAGE ADJUST	
H/V POSITION	
HORIZONTAL SIZE	
FINE TUNE	
SHARPNESS	
[1] : EXIT	[2] : SELECT

The **Manual Image Adjust** controls are explained below:

Horizontal Position moves the screen image left or right.

Vertical Position moves the screen image up or down.

Horizontal Size adjusts the width of the screen image.

Fine Tune sharpens focus by aligning the illuminated text and/or graphic characters.

Sharpness adjusts the clarity and focus of the screen image.



Setup Menu displays the menu shown below.

SETUP MENU	
LANGUAGE	
RESOLUTION NOTICE	
OSD POSITION	
OSD TIMEOUT	
OSD BACKGROUND	
1 : EXIT	2 : SELECT

The **Setup Menu** controls are explained below:

Language allows you to choose the language used in the menus and control screens.

Resolution Notice displays the Resolution Notice menu shown below.

RESOLUTION NOTICE
For best picture quality, change the resolution to 1280 x 1024
Press "1" to clear message Press "2" to disable message
1 : EXIT

Resolution Notice advises the optimal resolution to use.

OSD Position allows you to move the on-screen display menus and control screens.

OSD Timeout sets the length of time an on-screen display screen is displayed. For example, with a “15 second” setting, if a control is not pushed within 15 seconds, the display screen disappears.

OSD Background allows you to turn the On-Screen-Display background on or off.



Memory Recall returns adjustments to the original factory settings if the display is operating in a factory Preset Timing Mode listed in this user guide.

Exception: This control does not affect changes made with the User Color control.

4. Circuit Description

4.1 Power supply (DC/DC Converter):

4.1.1 IC251 MP1583 is a switching regulator controller that uses PWM method. That can be used for DC to DC conversion for step-down. It converts a 12V DC into regulated and stable output voltage of 5V.

4.1.2 Regulator:

IC253 function is to convert a 5V into regulated and stable O/P 3.3V.

D252, D253 are 3.3V convert 2.5V.

4.2 DDC data select:

4.2.1 IC601(AT24C02) saves D-SUB DDC data.

4.2.2 IC602(AT24C02) saves DVI, DDC data.

4.3 MCU

The MTV312M micro-controller is an 8051 CPU core embedded device especially tailored for CRT/LCD Monitor application. It includes an 8051 CPU core, 1024-byte SRAM, 14 built-in PWM DACs, VESA DDC interface, 4-channel A/D converter, and a 64K-byte internal program Flash-ROM.

The MCU controls the keyboard signal and audio signal.

4.4 Scalar

The MST9131A is a high performance, and fully intergrated graphics processing IC solution for LCD monitors with resolutions up to SXGA. It is configured with an integrated triple-ADC/PLL, a high quality scaling engine, an on-screen display controller, a built-in output clock generator, an integrated DVI receiver, and LVDS display interface. To further reduce system costs, the MST9131A also integrates intelligent power management control capability for green-mode requirements and spread-spectrum support for EMI management.

The analog input (CN602) signal and DVI-D input(CN601) signal are designed to be connected directly to scalar IC, The MST9131A built-in LVDS transmitter, is designed to be connected directly to panel.

4.5 Audio processor

IC802(PT2313L) is a four-channel digital control audio processor utilizing CMOS Technology. Volume, Bass, Treble and Balance, Front/Rear Fader Processor are incorporated into a single chip. Loudness function and Selectable input gain are also provided to build a highly effective electronic Audio processor having the highest performance and reliability with the least external components. All functions are programmable using the I²C Bus.

Volume signal through IC802 pin34(right) pin25(left) into audio amplifier.

4.6 Audio amplifier

IC803(TDA1517) is an integrated class-B dual output amplifier, It contains two identical amplifier differential input stages. The gain of each amplifier is fixed at 20dB.

Pins 1 and 9 are right and left channel inputs respectively. Pins 4 and 6 are right and left channel outputs which connect to two 4OHM speakers.

Pin 8 is the mute/stand-by.

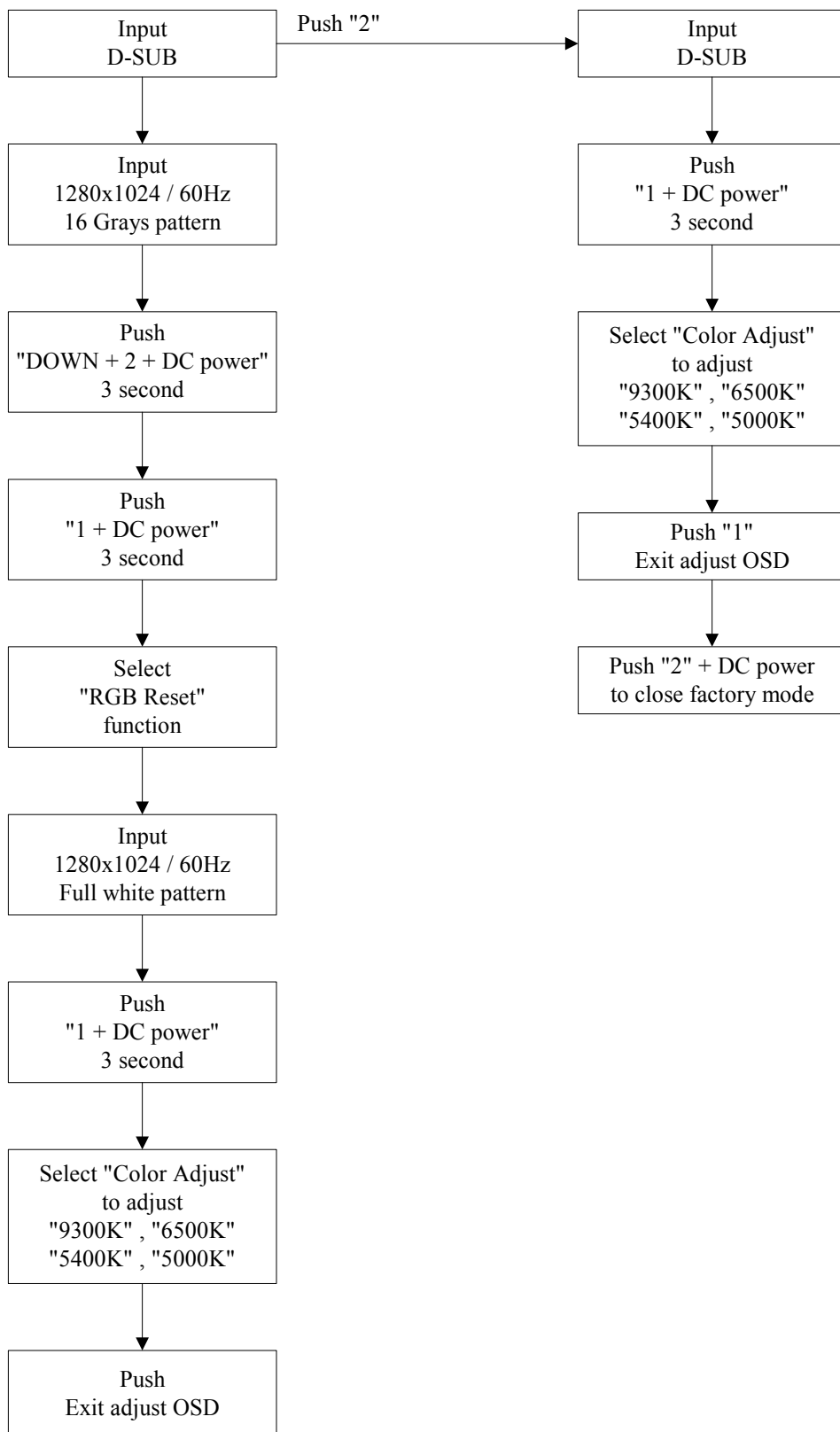
5. Adjusting Procedure

5.1 General.

1. All specification must be met over line voltage range of $90V_{AC}$ to $264V_{AC}$ 50Hz / 60Hz, unless otherwise specified.
2. Operating temperature range is $0^{\circ}C$ to $40^{\circ}C$ with a relative humidity of 10% or less to 80%.
3. The monitor must be operational in a usable state within 30 minutes after turn-on.
4. All signal levels are measured assuming termination at the monitor's input jacks or in its characteristic impedance.
5. All controls must have excess range (no control may be left at an end stop when proper alignment is completed).
6. The monitor is not required to meet specs during the following but must tolerate, without damage to the LCD or circuits, any sequence or combination of power on and off, signal on and off, erratic, wrong frequency or noisy inputs while at any possible unplugging of power or signal, settings of user accessible controls likewise, the monitor should survive extended periods of operation with line voltage reduced below the specified minimum.
7. An isolation transformer should be used when performing alignment and tests, Portions of the power supply board are hot ground, The remaining boards are cold ground.
8. Ambient condition:
 - 8.1 Illumination: In usual inspection of electric performance and mechanical performance, it shall be 150 ~ 260lux.
 - 8.2 Environmental noise: Less than 60dB.
 - 8.3 Interference of EMI: The inspection shall be carried out in the place where a set is not disturbed by external unnecessary electric wave and magnetic field.
 - 8.4 Temperature: $24 \pm 2^{\circ}C$.
 - 8.5 Humidity: $65 \pm 20\%$.

5.2 Instrument alignment.

5.2.1 Adjustment procedure.



5.2.2 Video alignment.

5.2.1.1 Preset condition.

5.2.1.1.1 Setting the contrast to 70%, brightness to 100%.

5.2.1.1.2 Input 1280x1024 / 60Hz, 16 gray pattern (input level 100IRE 0.7Vp-p), then press “RGB RESET”.9300K / 6500K / 5400K / 5000K, R G B offset preset as below:

	9300K		6500K		5400K		5000K	
	Analog	DVI	Analog	DVI	Analog	DVI	Analog	DVI
R sub-contrast	128	128	128	128	128	128	128	128
G sub-contrast	128	128	128	128	128	128	128	128
B sub-contrast	128	128	128	128	128	128	128	128

5.2.1.2 9300K alignment:

5.2.1.2.1 Input 1280x1024 / 60Hz & full white pattern at 100IRE.

5.2.1.2.2 Adjust R, G, and B sub-contrast to meet following chromaticity spec:

9300K → $x = 0.283 \pm 0.005$, $y = 0.298 \pm 0.005$, $Y > 155\text{cd/m}^2$ (Both analog & DVI).

5.2.1.3 6500K alignment:

5.2.1.3.1 Input 1280x1024 / 60Hz & full white pattern at 100IRE.

5.2.1.3.2 Adjust R, G and B sub-contrast to meet following chromaticity spec:

6500°K → $x = 0.313 \pm 0.005$, $y = 0.329 \pm 0.005$, $Y > 190\text{cd/m}^2$ (Both analog & DVI).

5.2.1.4 5400K alignment:

5.2.1.4.1 Input 1280x1024 / 60Hz & full white pattern at 100IRE.

5.2.1.4.2 Adjust R, G, and B sub-brightness to meet following chromaticity spec:

5400K → $x = 0.335 \pm 0.005$, $y = 0.350 \pm 0.005$, $Y > 180\text{cd/m}^2$ (Both analog & DVI).

5.2.1.5 5000K alignment:

5.2.1.5.1 Input 1280x1024 / 60Hz & full white pattern at 100IRE.

5.2.1.5.2 Adjust R, G and B sub-contrast to meet following chromaticity spec:

5000°K → $x = 0.346 \pm 0.005$, $y = 0.359 \pm 0.005$, $Y > 180\text{cd/m}^2$ (Both analog & DVI).

5.2.1.6 64grays & 16grays pattern check:

5.2.1.6.1 Input 1280x1024 / 60Hz & 64 grays pattern at 100IRE, adjust brightness 100%, and contrast 70%.

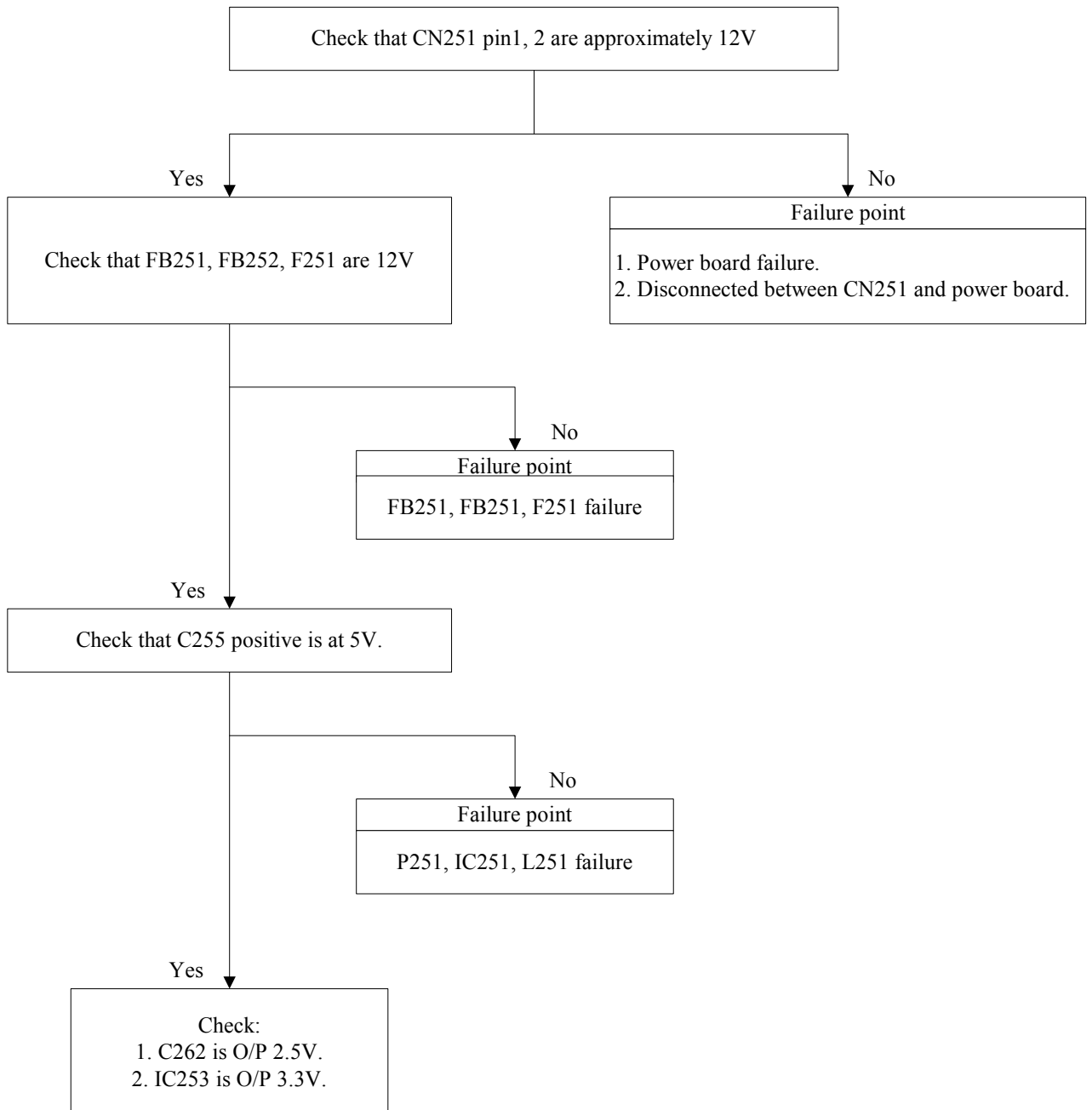
5.2.1.6.2 9300K / 6500K / 5400K / 5000K, the 64 grays can 2steps saturation.

5.2.1.6.3 Input 1280x1024 / 60Hz & 16 grays pattern at 100IRE, adjust brightness 100%, and contrast 100%.

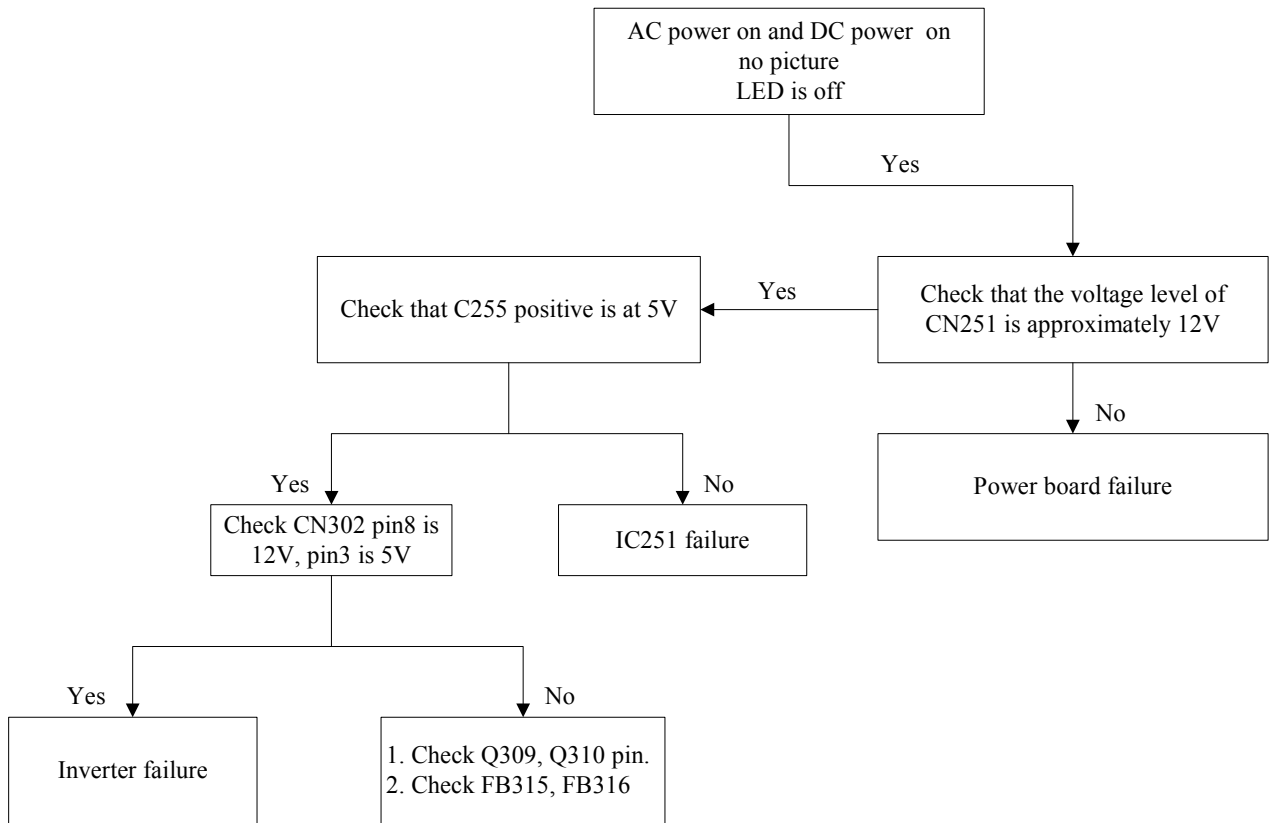
5.2.1.6.4 9300K / 6500K / 5400K / 5000K, the 16 grays only had 4 grays can saturation.

6. Trouble Shooting Flow Chart

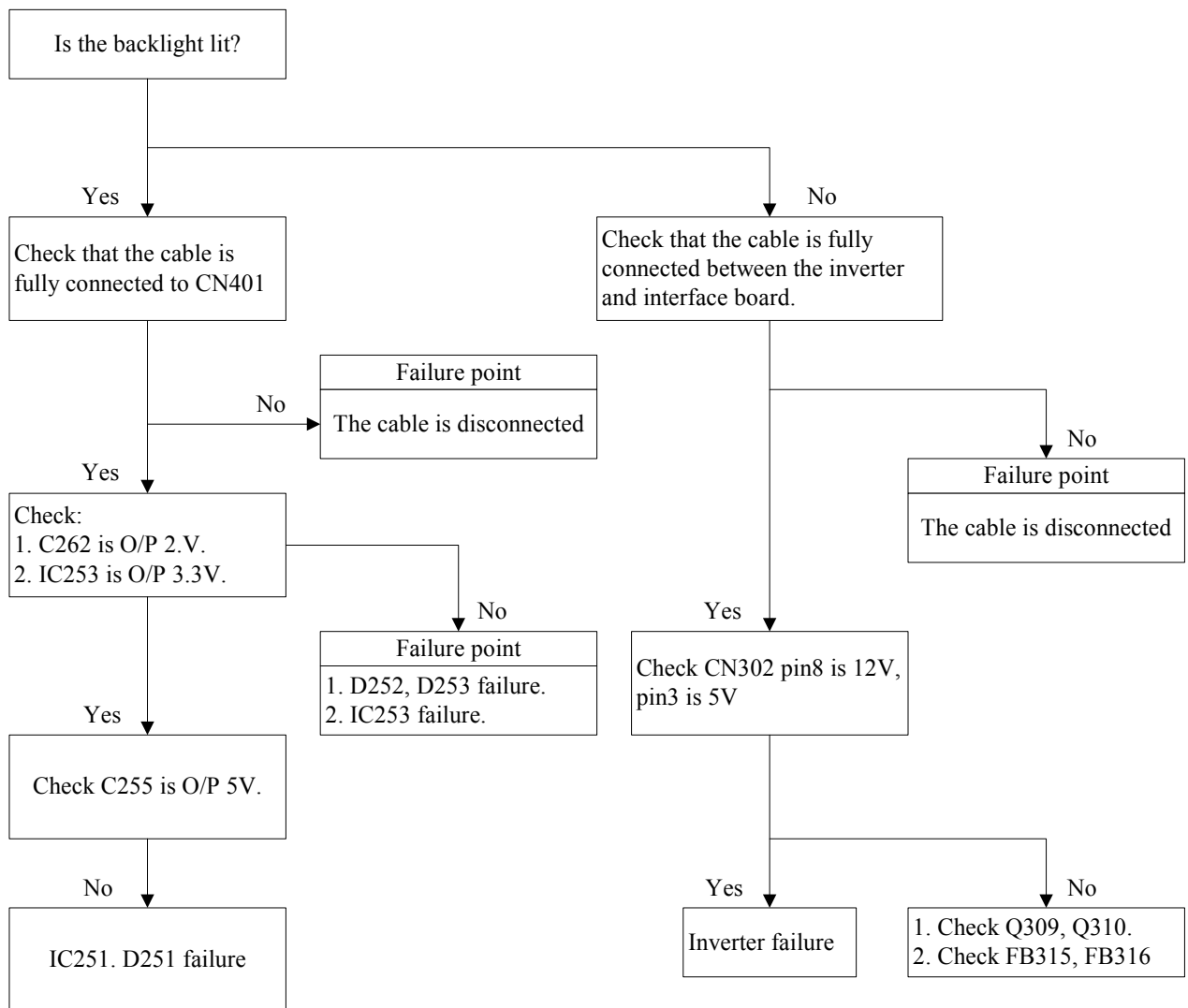
6.1 No power.



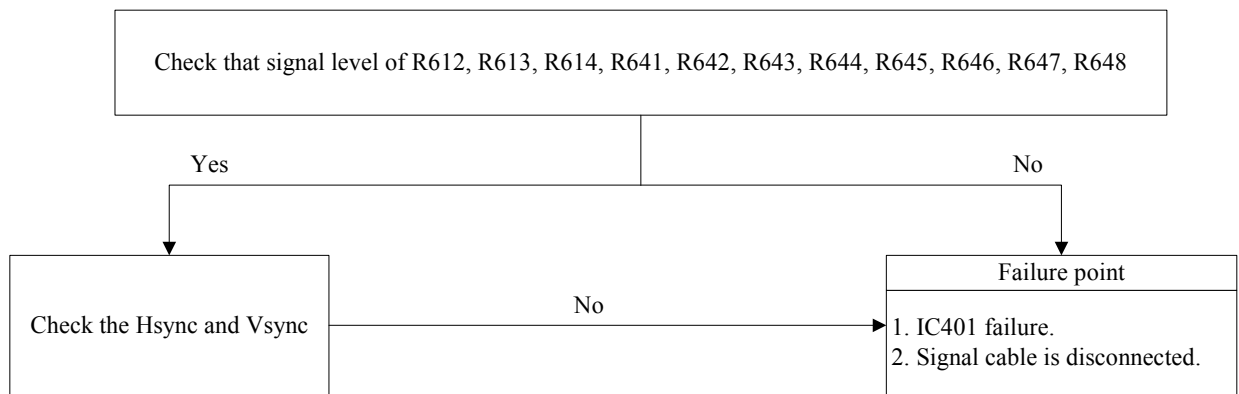
6.2 No display on screen (Screen is black, LED is off).



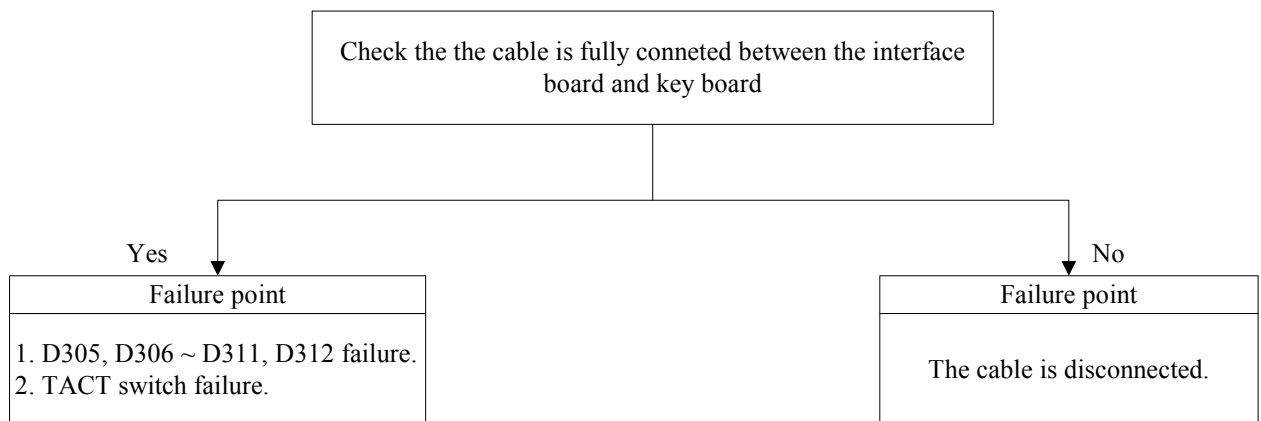
6.3 No display on screen (LED is green).



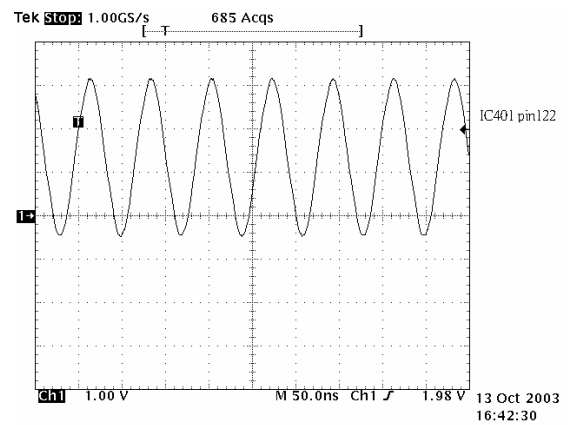
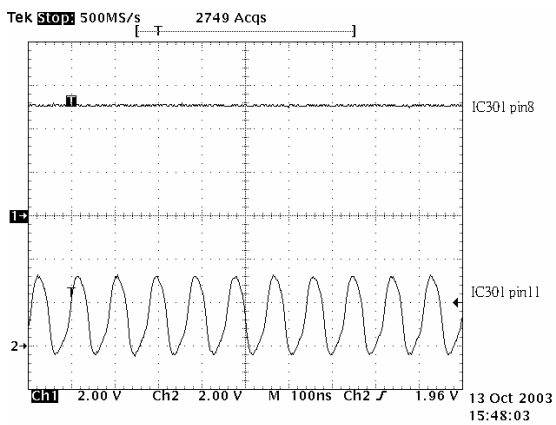
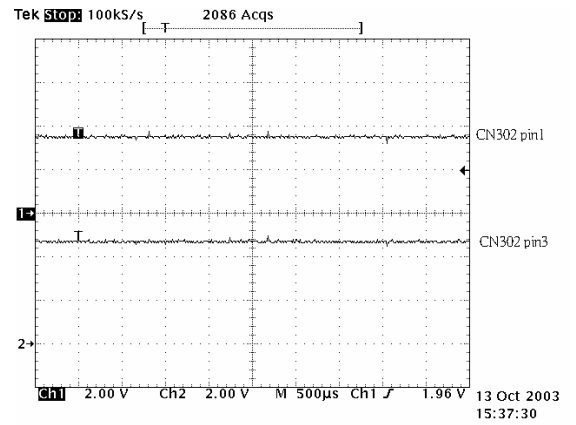
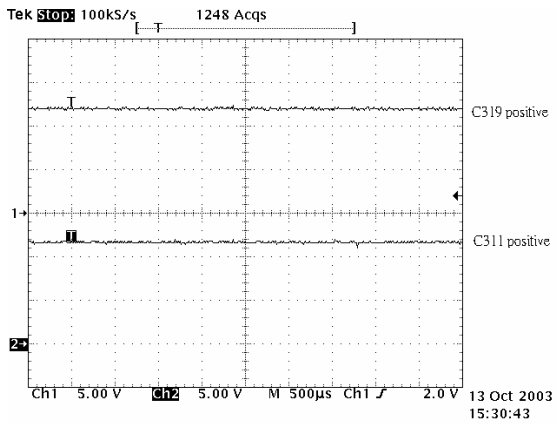
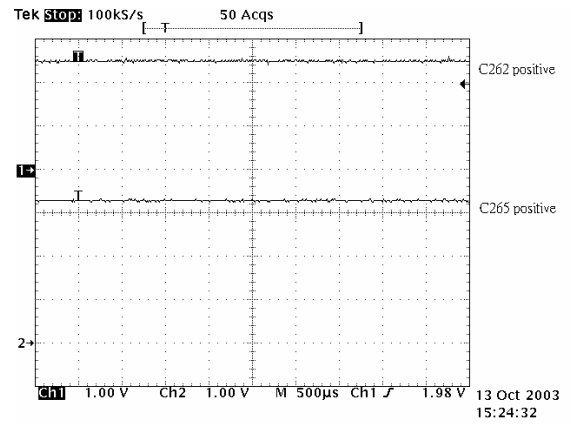
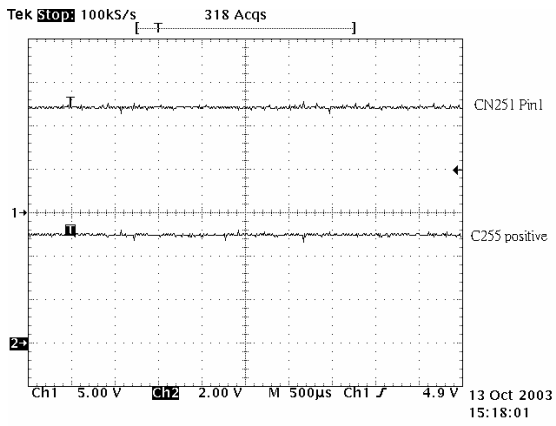
6.4 Show “No signal” on screen.

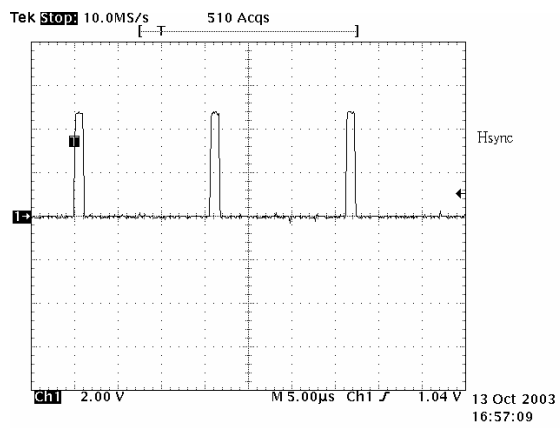
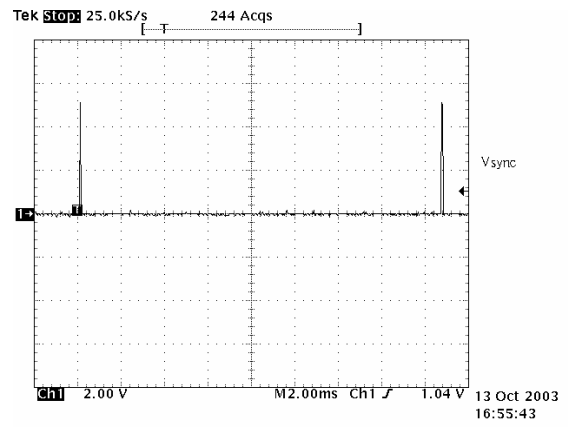
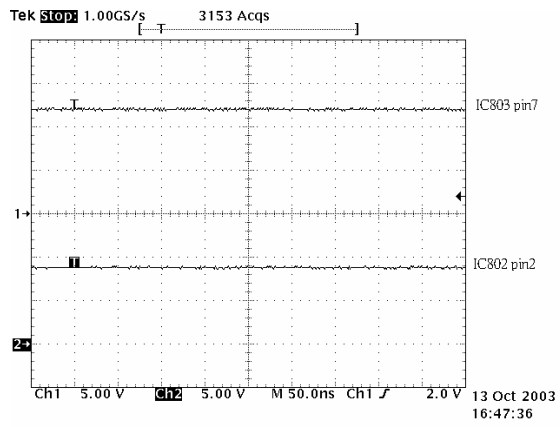


6.5 Keypad cannot work.



6.6 Figure of Waveform





7. Recommended Spare Parts List

VG910b Recommended Spare Parts List

Item	ViewSonic P/N	Ref. P/N	Description	Location	Q'ty
1	A-PC-0106-0193	3070000501	AC POWER CORD L1800 BLACK EURO		1
2	M-MS-0808-9140	3070168334	HEADER NYLON66 94V-0 3P P3.96	CN101	1
3	A-AU-0120-0033	3080005100	CABLE AUDIO L=1800 BLK PC99		1
4	A-VC-0101-0359	3080426400	CABLE D-SUB/D-SUB L1800 BLK 20276		1
5	M-FC-0809-0790	3080517603	CABLE FFC 30P P1.0 L270 T2	PANEL TO I/F	1
6	A-PC-0106-0150	3090107600	AC POWER CORD L=1800 BLACK UL/CSA		1
7	M-SCW-0824-0410	3100300600	SCREW M M3*0.5*6 PAN C S+P S20C ZN	I/V+PANEL BKT	10
8	M-SCW-0824-0734	3102710800	SCREW M M4*0.7*8 PAN C S S18C ZN YEL	AC SOCKET GND	1
9	M-SCW-0824-0690	3105051501	SCREW M #4-40*7 HEXH #4-40*3 S18C NI	CONN. D-SUB	4
10	M-SCW-0814-0691	3105120100	SCREW M M4*0.7*12 PAN C S+P S10C ZN YEL	STAND ASSY+cabinet back	6
11	M-SCW-0814-0692	3105124000	SCREW M M4*0.7*6 PAN C S18C NI	HINGE R&L+BKT ARM	6
12	M-SCW-0824-6793	3105125300	SCREW M M4*0.7*6 FF C S18C ZN BLK NYLCOK	Cabinet Back+Panel BKT	2
13	M-SCW-0824-6793	3105125300	SCREW M M4*0.7*6 FF C S18C ZN BLK NYLCOK	BKT ATM+BKT BASE	3
14	M-SCW-0824-6793	3105125300	SCREW M M4*0.7*6 FF C S18C ZN BLK NYLCOK	BKT BASE+COVER BASE	4
15	M-SCW-0824-0776	3105221000	SCREW M M3*0.5*6 FF C S18C ZN	Panel BKT+BKT Hinge	2
16	M-SCW-0824-6796	3105223600	SCREW M M3*0.5*8 FF C S18C ZN	PANEL+Panel BKT	4
17	M-SCW-0824-0777	3105225300	SCREW M M3*0.5*4 FF C S18C ZN	CABLE CLAMP+PANEL BKT	8
18	M-SCW-0824-0778	3105229400	SCREW M M3*0.5*10 FF C S18C ZN		2
19	M-SCW-0824-0007	3109010100	SCREW T f 3*0.5*8 BIND C S18C ZN	I/F BD+IC803	1
20	M-SCW-0824-0413	3109011400	SCREW T M3*0.5*6 BIND C S18C ZN YEL	ARM REAR+BKT ARM	1
21	M-SCW-0824-0779	3109017700	SCREW T M3*2.7*7.5 FF C S18C ZN YEL	F/B+K/B	7
22	M-SCW-0824-0620	3109020500	SCREW T f 4*1.6*10 PAN C S18C ZN YEL	Cabinet Back+BKT Hinge	4
23	M-SCW-0824-0620	3109020500	SCREW T f 4*1.6*10 PAN C S18C ZN YEL	ARM FRONT+BKT ARM	4
24	M-SCW-0824-6795	3109023700	SCREW T M4*1.6*8 FPH C S18C ZN YEL	Speaker R&L+F/B	4
25	M-MS-0808-9125	3110110900	NUT M3*0.5 AISH1018		2
26	M-MS-0808-8040	3110250000	WASHER SPRING SWRT	CONN DVI-D	4
27	M-LB-0813-0785	3200158900	LABEL STICKER OD10 WHT HI-POT		1
28	M-LB-0813-0712	3200449700	LABEL WARING	BY AIR SHIPPING,STICK ON TUBE,	0.125
29	M-MS-0808-9126	3200655300	NAME PLATE VSC 3-BIRD LOGO AL 14.5*10.0	FOR F/B ,REV:00	1
30	M-MS-0808-9127	3200655500	NAME PLATE AL VIEWSONIC L38 T1.2	FOR F/B ,REV:00	1
31	M-LB-0813-0384	3200712700	LABEL CONTROL 100*90	Stick on pallet	0.063
32	M-LB-0813-0551	3200744000	LABEL BAR CODE 55*15 VSC-G	Stick on flow	1
33	M-LB-0813-0696	3200753101	LABEL BAR CODE 76*121 VIEWSONIC		1
34	M-LB-0813-0759	3200930800	LABEL VER. CONTROL 20*20 VIEWSONIC	Stick on Carton	0.167
35	M-LB-0813-0917	3201965500	LABEL ID 160*43 VSC VG910S		1
36	M-LB-0813-0913	3202005900	LABEL SERIAL 42*11 SONY	FOR STICK ON I/F BD	1
37	M-LB-0813-0914	3202009100	LABEL REISTRATION 40*16		1
38	M-LB-0813-0900	3202011000	LABEL SERIES PANEL 42*11 T0.05	FOR STICK ON Travel Card	1
39	M-LB-0813-0915	3202215900	LABEL MCU 11*11 POLYESTER 50#		0.13
40	M-LB-0813-0714	3202310700	LABEL HV WARNING 100*25	FOR I/V SHIELD CAN,	1
41	M-MS-0808-8303	3211024500	MYLAR 435*350 T.1	F/B ,REV:03	1
42	M-MS-0808-9128	3240216601	INSULATOR PP T.43 60.86*129		1
43	M-MS-0808-9141	3240296500	THERMAL PAD SILICONE 20*14 T2	STICK ON IC401	1
44	M-MS-0808-8304	3240964900	RUBBER HOLD PLUG OD5.2 H3.8 GRAY	CABINET BACK	4
45	PL-PD-0714-0067	3240956800	RUBBER FOOT 81*13*3T BLK	BKT BSAE	2
46	M-MS-0808-8157	3240957400	SPONGE EVA 100*7 T1 BLACK	BASE COVER	1
47	PL-PD-0714-0068	3240957500	RUBBER FOOT 75*10 T3	BKT BASE	2
48	PL-PD-0714-0111	3240968200	RUBBER PAD 50*10 T3 GRAY	PANEL+FFC CABLE	1
49	M-MS-0808-9137	3240977700	RUBBER HOLE PULG OD11.4 ID6.5 T7.36 BLK	ARM REAR	1
50	M-MS-0808-9142	3241132900	INSULATOR PC T.4 204*40 VG910	STICK ON CABINE T BACK	1
51	M-MS-0808-9143	3343715400	HSK PLATE AL1100F PICKLING T1		1
52	C-BC-0302-0566	3360249000	CABINET BACK ABS MIDNIGHT GRAY S9LRC1LS		1
53	M-CV-0830-2397	3360916700	ARM FRONT ABS MIDNIGHT GRAY VG800B-2		1
54	M-CV-0830-2508	3360919301	ARM REAR ABS MIDNIGHT GRAY S8LBA2LS		1
55	M-CV-0830-2400	3361205800	COVER BASE ABS MIDNIGHT GRAY VG800B-2		1
56	C-BC-0302-0567	3368216801	R/C ASSY L19BMW05BBB S9LFC1LS		1
57	C-FP-0301-9920	3368303002	F/B ASSY L19BMR05ABB S9LFC1LS		1
58	M-MS-0808-8162	3421024500	CABLE CLAMP GROUNDING SPCC T.3mm	K/B WIRE	1
59	PL-CL-0710-0034	3421095601	CLIP SUS301 T=0.4		1
60	M-BK-0805-0061	3460144800	BRACKET CONN SECC 41.7*30 T0.6	PANEL BKT+LVDS CABLE	1
61	M-MS-0808-8561	3460146100	BRACKET VESA SECC 110*20 T1	CABINET BACK	2

VG910b Recommended Spare Parts List

Item	ViewSonic P/N	Ref. P/N	Description	Location	Q'ty
62	M-MS-0808-8563	3460146300	BRACKET KEYLOCK SECC 20.4*16.45*4.9 T.6	CABINET BACK	1
63	M-BK-0805-0048	3460165200	BRACKET D-SUB SECC 266*30*29 T.8		1
64	M-BK-0805-0049	3460165300	BRACKET HINGE SECC 228*60*16 T.8		1
65	M-BK-0805-0050	3460165401	BRACKET PANEL SECC 406.3*332.3*19.8 T.8		1
66	M-MS-0808-9144	3460165500	BRACKET SHIELD CAN INV SECC 220.6*66.8*2		1
67	M-MS-0808-9145	3461235402	SHIELD CAN IF SPTH 280.7*156.72*30.4 T.3		1
68	M-MS-0808-9130	3461752700	HINGE-R SUS304 62*20 T2		1
69	M-MS-0808-9131	3461752800	HINGE-L SUS304 62*20 T2		1
70	M-BK-0805-0043	3461753201	BRACKET ARM SECC 156*126.1*153.6 T2		1
71	M-BK-0805-0044	3461753301	BRACKET BASE SECC 266.6*161.4 T2		1
72	P-FM-0602-0851	3500117000	END BLOCK-TOP L19BMR05AAB		1
73	P-FM-0602-0852	3500117100	END BLOCK-BOTTOM L19BMR05AAB		1
74	M-MS-0808-9132	3500932402	PE BAG 640*580*.06T CLEAR	3% SPARE PARTS	1
75	M-MS-0808-8762	3500937501	PE BAG 300*200*0.06T	FOR PACKING POWER CORD+AUDIO CABLE+D-SUB	1
76	P-BX-0601-0928	3512251700	CARTON 556*515*252 VG910B L19BMR05ABB	3% FOR SPARE PARTS	1
77	A-CD-VG910B	3532078300	CD-ROM VSC A-CD-VG910B-1	PUT IN MANUAL PACKING ASSY	1
78	A-UG-0107-0511	3532078601	MANUAL PACKING ASSY VSC VG910B	PUT IN CARTON	1
79	M-MS-0808-9135	3610171802	AC SOCKET ASSY VG810S		1
80	M-WR-0828-6622	3670479500	WIRE WITH HOUSING 1007 #24 L120 4P	CN201.POWER TO I/F	1
81	M-WR-0828-6619	3670479600	WIRE WITH HOUSING 2547 #28 L500 4P	I/F TO SPEAKER	1
82	M-WR-0828-6623	3679009500	WIRE WITH HOUSING 20276 #30 L395 12P	I/F TO K/B	1
83	E-SK-0412-0086	3790182900	SPEAKER ASSY L18FMR05AAB		2
84	M-LCD-0826-0192	5051901202	LCD 19" TFT PANEL SXGA		
85	B-IF-0222-0053	5600110127	LCD I/F BD ASSY L19BMR 05AAB		1
86	B-SB-0221-0590	5600110128	LCD INVERTER BD ASSY L19BMR 05AAB		1
87	B-PS-0204-0059	5600110175	LCD POWER BD ASSY L19BMR 05AAB		1
88	B-KB-0207-0046	5600110180	LCD FUN KEY BD ASSY L19BMR 05AAB		1

VG910s Recommended Spare Parts List

Item	ViewSonic P/N	Ref. P/N	Description	Location	Q'ty
1	A-PC-0106-0193	3070000501	AC POWER CORD L1800 BLACK EURO		1
2	M-MS-0808-9140	3070168334	HEADER NYLON66 94V-0 3P P3.96	CN101	1
3	A-AU-0120-0033	3080005100	CABLE AUDIO L=1800 BLK PC99		1
4	A-VC-0101-0359	3080426400	CABLE D-SUB/D-SUB L1800 BLK 20276		1
5	M-FC-0809-0790	3080517603	CABLE FFC 30P P1.0 L270 T2	PANEL TO I/F	1
6	A-PC-0106-0150	3090107600	AC POWER CORD L=1800 BLACK UL/CSA		1
7	M-SCW-0824-0410	3100300600	SCREW M M3*0.5*6 PAN C S+P S20C ZN	I/V+PANEL BKT	10
8	M-SCW-0824-0734	3102710800	SCREW M M4*0.7*8 PAN C S S18C ZN YEL	AC SOCKET GND	1
9	M-SCW-0824-0690	3105051501	SCREW M #4-40*7 HEXH #4-40*3 S18C NI	CONN. D-SUB	4
10	M-SCW-0814-0691	3105120100	SCREW M M4*0.7*12 PAN C S+P S10C ZN YEL	STAND ASSY+cabinet back	6
11	M-SCW-0814-0692	3105124000	SCREW M M4*0.7*6 PAN C S18C NI	HINGE R&L+BKT ARM	6
12	M-SCW-0824-6793	3105125300	SCREW M M4*0.7*6 FF C S18C ZN BLK NYLCOK	Cabinet Back+Panel BKT	2
13	M-SCW-0824-6793	3105125300	SCREW M M4*0.7*6 FF C S18C ZN BLK NYLCOK	BKT ATM+BKT BASE	3
14	M-SCW-0824-6793	3105125300	SCREW M M4*0.7*6 FF C S18C ZN BLK NYLCOK	BKT BASE+COVER BASE	4
15	M-SCW-0824-0776	3105221000	SCREW M M3*0.5*6 FF C S18C ZN	Panel BKT+BKT Hinge	2
16	M-SCW-0824-6796	3105223600	SCREW M M3*0.5*8 FF C S18C ZN	PANEL+Panel BKT	4
17	M-SCW-0824-0777	3105225300	SCREW M M3*0.5*4 FF C S18C ZN	CABLE CLAMP+PANEL BKT	8
18	M-SCW-0824-0778	3105229400	SCREW M M3*0.5*10 FF C S18C ZN		2
19	M-SCW-0824-0007	3109010100	SCREW T f 3*0.5*8 BIND C S18C ZN	I/F BD+IC803	1
20	M-SCW-0824-0413	3109011400	SCREW T M3*0.5*6 BIND C S18C ZN YEL	ARM REAR+BKT ARM	1
21	M-SCW-0824-0779	3109017700	SCREW T M3*2.7*7.5 FF C S18C ZN YEL	F/B+K/B	7
22	M-SCW-0824-0620	3109020500	SCREW T f 4*1.6*10 PAN C S18C ZN YEL	Cabinet Back+BKT Hinge	4
23	M-SCW-0824-0620	3109020500	SCREW T f 4*1.6*10 PAN C S18C ZN YEL	ARM FRONT+BKT ARM	4
24	M-SCW-0824-6795	3109023700	SCREW T M4*1.6*8 FPH C S18C ZN YEL	Speaker R&L+F/B	4
25	M-MS-0808-9125	3110110900	NUT M3*0.5 AISI1018		2
26	M-MS-0808-8040	3110250000	WASHER SPRING SWRT	CONN DVI-D	4
27	M-LB-0813-0785	3200158900	LABEL STICKER OD10 WHT HI-POT		1
28	M-LB-0813-0712	3200449700	LABEL WARING	BY AIR SHIPPING,STICK ON TUBE,	0.125
29	M-MS-0808-9126	3200655300	NAME PLATE VSC 3-BIRD LOGO AL 14.5*10.0	FOR F/B ,REV:00	1
30	M-MS-0808-9127	3200655500	NAME PLATE AL VIEWSONIC L38 T1.2	FOR F/B ,REV:00	1
31	M-LB-0813-0384	3200712700	LABEL CONTROL 100*90	Stick on pallet	0.063
32	M-LB-0813-0551	3200744000	LABEL BAR CODE 55*15 VSC-G	Stick on flow	1
33	M-LB-0813-0696	3200753101	LABEL BAR CODE 76*121 VIEWSONIC		1
34	M-LB-0813-0759	3200930800	LABEL VER. CONTROL 20*20 VIEWSONIC	Stick on Carton	0.167
35	M-LB-0813-0917	3201965500	LABEL ID 160*43 VSC VG910S		1
36	M-LB-0813-0913	3202005900	LABEL SERIAL 42*11 SONY	FOR STICK ON I/F BD	1
37	M-LB-0813-0914	3202009100	LABEL REISTRATION 40*16		1
38	M-LB-0813-0900	3202011000	LABEL SERIES PANEL 42*11 T0.05	FOR STICK ON Travel Card	1
39	M-LB-0813-0915	3202215900	LABEL MCU 11*11 POLYESTER 50#		0.13
40	M-LB-0813-0714	3202310700	LABEL HV WARNING 100*25	FOR I/V SHIELD CAN,	1
41	M-MS-0808-8303	3211024500	MYLAR 435*350 T.1	F/B ,REV:03	1
42	M-MS-0808-9128	3240216601	INSULATOR PP T.43 60.86*129		1
43	M-MS-0808-9141	3240296500	THERMAL PAD SILICONE 20*14 T2	STICK ON IC401	1
44	M-MS-0808-8608	3240956400	RUBBER HOLD PLUG OD4.9 H3.2 BLK	CABINET BACK	4
45	PL-PD-0714-0067	3240956800	RUBBER FOOT 81*13*3T BLK	BKT BSAE	2
46	M-MS-0808-8157	3240957400	SPONGE EVA 100*7 T1 BLACK	BASE COVER	1
47	PL-PD-0714-0068	3240957500	RUBBER FOOT 75*10 T3	BKT BASE	2
48	PL-PD-0714-0111	3240968200	RUBBER PAD 50*10 T3 GRAY	PANEL+FFC CABLE	1
49	M-MS-0808-9137	3240977700	RUBBER HOLE PULG OD11.4 ID6.5 T7.36 BLK	ARM REAR	1
50	M-MS-0808-9142	3241132900	INSULATOR PC T.4 204*40 VG910	STICK ON CABINE T BACK	1
51	M-MS-0808-9143	3343715400	HSK PLATE AL1100F PICKLING T1		1
52	C-BC-0302-0568	3360248900	CABINET BACK ABS 41 S9LRC1LS		1
53	M-CV-0830-2381	3360916300	ARM FRONT ABS 41 VX700-2		1
54	M-CV-0830-2509	3360919201	ARM COVER REAR ABS 41 S8LBA2LS		1
55	M-CV-0830-2394	3361205900	COVER BASE ABS 41 VG800-2		1
56	C-BC-0302-0569	3368216701	R/C ASSY L19BMR05BAB S9LRC1LS		1
57	C-FP-0301-9921	3368302901	F/B ASSY L19BMR05AAB S9LFC1LS		1
58	M-MS-0808-8162	3421024500	CABLE CLAMP GROUNDING SPCC T.3mm	K/B WIRE	1
59	PL-CL-0710-0034	3421095601	CLIP SUS301 T=0.4		1
60	M-BK-0805-0061	3460144800	BRACKET CONN SECC 41.7*30 T0.6	PANEL BKT+LVDS CABLE	1
61	M-MS-0808-8561	3460146100	BRACKET VESA SECC 110*20 T1	CABINET BACK	2
62	M-MS-0808-8563	3460146300	BRACKET KEYLOCK SECC 20.4*16.45*4.9 T.6	CABINET BACK	1
63	M-BK-0805-0048	3460165200	BRACKET D-SUB SECC 266*30*29 T.8		1
64	M-BK-0805-0049	3460165300	BRACKET HINGE SECC 228*60*16 T.8		1
65	M-BK-0805-0050	3460165401	BRACKET PANEL SECC 406.3*332.3*19.8 T.8		1
66	M-MS-0808-9144	3460165500	BRACKET SHIELD CAN INV SECC 220.6*66.8*2		1
67	M-MS-0808-9145	3461235402	SHIELD CAN IF SPTH 280.7*156.72*30.4 T.3		1
68	M-MS-0808-9130	3461752700	HINGE-R SUS304 62*20 T2		1

VG910s Recommended Spare Parts List

Item	ViewSonic P/N	Ref. P/N	Description	Location	Q'ty
69	M-MS-0808-9131	3461752800	HINGE-L SUS304 62*20 T2		1
70	M-BK-0805-0043	3461753201	BRACKET ARM SECC 156*126.1*153.6 T2		1
71	M-BK-0805-0044	3461753301	BRACKET BASE SECC 266.6*161.4 T2		1
72	P-FM-0602-0851	3500117000	END BLOCK-TOP L19BMR05AAB		1
73	P-FM-0602-0852	3500117100	END BLOCK-BOTTOM L19BMR05AAB		1
74	M-MS-0808-9132	3500932402	PE BAG 640*580*.06T CLEAR	3% SPARE PARTS	1
75	M-MS-0808-8762	3500937501	PE BAG 300*200*0.06T	FOR PACKING POWER CORD+AUDIO CABLE+D-SUB	1
76	P-BX-0601-0929	3512251800	CARTON 556*515*252 VG910S L18BMR05AAB	3% FOR SPARE PARTS	1
77	A-CD-VG910S	3532078400	CD-ROM VSC A-CD-VG910S-1	PUT IN MANUAL PACKING ASSY	1
78	A-UG-0107-0512	3532078501	MANUAL PACKING ASSY VSC VG910S	PUT IN CARTON	1
79	M-MS-0808-9135	3610171802	AC SOCKET ASSY VG810S		1
80	M-WR-0828-6622	3670479500	WIRE WITH HOUSING 1007 #24 L120 4P	CN201,POWER TO I/F	1
81	M-WR-0828-6619	3670479600	WIRE WITH HOUSING 2547 #28 L500 4P	I/F TO SPEAKER	1
82	M-WR-0828-6623	3679009500	WIRE WITH HOUSING 20276 #30 L395 12P	I/F TO K/B	1
83	E-SK-0412-0086	3790182900	SPEAKER ASSY L18FMR05AAB		2
84	M-LCD-0826-0192	5051901202	LCD 19" TFT PANEL SXGA		
85	B-IF-0222-0053	5600110127	LCD I/F BD ASSY L19BMR 05AAB		1
86	B-SB-0221-0590	5600110128	LCD INVERTER BD ASSY L19BMR 05AAB		1
87	B-PS-0204-0059	5600110175	LCD POWER BD ASSY L19BMR 05AAB		1
88	B-KB-0207-0046	5600110180	LCD FUN KEY BD ASSY L19BMR 05AAB		1

VG910b BOM LIST

Item	ViewSonic P/N	Ref. P/N	Description	Location	Q'ty
1	A-PC-0106-0193	3070000501	AC POWER CORD L1800 BLACK EURO		1
2	A-AU-0120-0033	3080005100	CABLE AUDIO L=1800 BLK PC99		1
3	A-VC-0101-0359	3080426400	CABLE D-SUB/D-SUB L1800 BLK 20276		1
4	M-FC-0809-0790	3080517603	CABLE FFC 30P P1.0 L270 T2	PANEL TO I/F	1
5	A-PC-0106-0150	3090107600	AC POWER CORD L=1800 BLACK UL/CSA		1
6	M-SCW-0824-0410	3100300600	SCREW M M3*0.5*6 PAN C S+P S20C ZN	I/V+PANEL BKT,POWER BD+Panel BKT	10
7	M-SCW-0824-0734	3102710800	SCREW M M4*0.7*8 PAN C S S18C ZN YEL	AC SOCKET GND	1
8	M-SCW-0824-0690	3105051501	SCREW M #4-40*7 HEXH #4-40*3 S18C NI	CONN. D-SUB, DVI-D	2
9	M-SCW-0814-0691	3105120100	SCREW M M4*0.7*12 PAN C S+P S10C ZN YEL	STAND ASSY+cabinet back	6
10	M-SCW-0824-6793	3105125300	SCREW M M4*0.7*6 FF C S18C ZN BLK NYLCOK	Cabinet Back+Panel BKT	2
11	M-SCW-0824-0776	3105221000	SCREW M M3*0.5*6 FF C S18C ZN	Panel BKT+BKT Hinge	2
12	M-SCW-0824-6796	3105223600	SCREW M M3*0.5*8 FF C S18C ZN	PANEL+Panel BKT	4
13	M-SCW-0824-0777	3105225300	SCREW M M3*0.5*4 FF C S18C ZN	CABLE CLAMP+PANEL BKT	1
14	M-SCW-0824-0777	3105225300	SCREW M M3*0.5*4 FF C S18C ZN	D-SUB BKT+Panel BKT	3
15	M-SCW-0824-0777	3105225300	SCREW M M3*0.5*4 FF C S18C ZN	D-SUB BKT+Shield Can	3
16	M-SCW-0824-0777	3105225300	SCREW M M3*0.5*4 FF C S18C ZN	I/V SHIELD+Panel BKT	1
17	M-SCW-0824-0007	3109010100	SCREW T f 3*0.5*8 BIND C S18C ZN	I/F BD+IC803	1
18	M-SCW-0824-0779	3109017700	SCREW T M3*2.7*7.5 FF C S18C ZN YEL	F/B+K/B	3
19	M-SCW-0824-0779	3109017700	SCREW T M3*2.7*7.5 FF C S18C ZN YEL	Cabinet Back+bkt Hinge	4
20	M-SCW-0824-0620	3109020500	SCREW T f 4*1.6*10 PAN C S18C ZN YEL	Cabinet Back+BKT Hinge	4
21	M-SCW-0824-6795	3109023700	SCREW T M4*1.6*8 FPH C S18C ZN YEL	Speaker R&L+F/B	4
22	M-MS-0808-8040	3110250000	WASHER SPRING SWRT	CONN DVI-D	2
23	M-MS-0808-8040	3110250000	WASHER SPRING SWRT	CONN D-SUB	2
24	M-LB-0813-0785	3200158900	LABEL STICKER OD10 WHT HI-POT		1
25	M-LB-0813-0712	3200449700	LABEL WARING	BY AIR SHIPPING,STICK ON TUBE	0.125
26	M-MS-0808-9126	3200655300	NAME PLATE VSC 3-BIRD LOGO AL 14.5*10.0	FOR F/B ,REV:00	1
27	M-MS-0808-9127	3200655500	NAME PLATE AL VIEWSONIC L38 T1.2	FOR F/B ,REV:00	1
28	M-LB-0813-0384	3200712700	LABEL CONTROL 100*90	Stick on pallet	0.063
29	M-LB-0813-0551	3200744000	LABEL BAR CODE 55*15 VSC-G	Stick on flow card	1
30	M-LB-0813-0696	3200753101	LABEL BAR CODE 76*121 VIEWSONIC		1
31	M-LB-0813-0759	3200930800	LABEL VER. CONTROL 20*20 VIEWSONIC	Stick on Carton	0.167
32	#N/A	3201965600	LABEL ID 160*43 VSC VG910B		1
33	M-LB-0813-0900	3202011000	LABEL SERIES PANEL 42*11 T0.05	FOR STICK ON Travel Card	1
34	M-LB-0813-0714	3202310700	LABEL HV WARNING 100*25	FOR I/V SHIELD CAN	1
35	M-MS-0808-8303	3211024500	MYLAR 435*350 T.1	F/B	1
36	M-MS-0808-7507	3220136000	TAPE W=29 #1350F-1 3M	STICK ON PANEL BKT & SHIELD CAN I/F TOP	0.14
37	M-MS-0808-7507	3220136000	TAPE W=29 #1350F-1 3M	AUDIO WIRE+PANEL BKT	0.05
38	M-MS-0808-7507	3220136000	TAPE W=29 #1350F-1 3M	STICK ON TOP BOT SIDE&FFC CONN. EACH 70m	0.21
39	M-MS-0808-7507	3220136000	TAPE W=29 #1350F-1 3M	STICK ON PANEL BKT & SHIELD CAN I/F &	0.09
40	M-MS-0808-7507	3220136000	TAPE W=29 #1350F-1 3M	STICK ON PANEL TOP & BOTTOM WIRE	0.1
41	M-MS-0808-7507	3220136000	TAPE W=29 #1350F-1 3M	STICK ON PANEL BKT & SHIELD CAN I/V LEFT	0.14
42	M-MS-0808-7507	3220136000	TAPE W=29 #1350F-1 3M	STICK ON PANEL BKT & SHIELD CAN I/F RIGH	0.14
43	#N/A	3220161733	TAPE W=20 #3800A NITTO	FOR TWO TOP ANG LE OF F/B	0.09
44	#N/A	3220182510	TAPE W=28 2L #1350F-1 3M	STICK ON PANEL BKT POWER BD AR EA R&L SID	2
45	#N/A	3222201300	TAPE AL FOIL W=25 #80023 CATERON	AUDIO WIRE+PANE L BKT	0.06
46	M-MS-0808-8608	3240956400	RUBBER HOLD PLUG OD4.9 H3.2 BLK	CABINET BACK	4
47	PL-PD-0714-0111	3240968200	RUBBER PAD 50*10 T3 GRAY	PANEL+FFC CABLE T BACK	1
48	M-MS-0808-9142	3241132900	INSULATOR PC T.4 204*40 VG910	STICK ON CABINE	1
49	C-BC-0302-0566	3360249000	CABINET BACK ABS MIDNIGHT GRAY S9LRC1LS		1
50	C-BC-0302-0567	3368216801	R/C ASSY L19BMW05BBB S9LRC1LS		1
51	M-MS-0808-7747	3200649300	NAME PLATE VIEWSONIC ABS94HB MIDNIGHT GR		1
52	#N/A	3360249201	R/C ABS MIDNIGHT GRAY VG910B S9LRC1LS		1
53	#N/A	3368303001	F/B ASSY L19BMR05ABB S9LFC1LS		1
54	PL-FK-0709-0150	3360732801	FUNCTION KEY ABS CR S8LFC1LS		1
55	#N/A	3361086001	F/B ABS MIDNIGHT GRAY VG910B S9LFC1LS	3361086200TL	1

VG910b BOM LIST

Item	ViewSonic P/N	Ref. P/N	Description	Location	Q'ty
56	#N/A	3368992301	STAND ASSY L18FMW05ABB S8LBA1AT SERVICE		1
57	M-SCW-0814-0692	3105124000	SCREW M M4*0.7*6 PAN C S18C NI	HINGE R&L+BKT ARM	6
58	M-SCW-0824-6793	3105125300	SCREW M M4*0.7*6 FF C S18C ZN BLK NYLCOK	BKT ATM+BKT BASE	3
59	M-SCW-0824-6793	3105125300	SCREW M M4*0.7*6 FF C S18C ZN BLK NYLCOK	BKT BASE+COVER BASE	4
60	M-SCW-0824-0413	3109011400	SCREW T M3*0.5*6 BIND C S18C ZN YEL	ARM REAR+BKT ARM	1
61	M-SCW-0824-0620	3109020500	SCREW T f 4*1.6*10 PAN C S18C ZN YEL	ARM FRONT+BKT ARM	4
62	PL-PD-0714-0067	3240956800	RUBBER FOOT 81*13*3T BLK	BKT BSAE	2
63	M-MS-0808-8157	3240957400	SPONGE EVA 100*7 T1 BLACK	BASE COVER	1
64	PL-PD-0714-0068	3240957500	RUBBER FOOT 75*10 T3	BKT BASE	2
65	M-MS-0808-9137	3240977700	RUBBER HOLE PULG OD11.4 ID6.5 T7.36 BLK	ARM REAR	1
66	M-CV-0830-2397	3360916700	ARM FRONT ABS MIDNIGHT GRAY VG800B-2		1
67	M-CV-0830-2508	3360919301	ARM REAR ABS MIDNIGHT GRAY S8LBA2LS		1
68	M-CV-0830-2400	3361205800	COVER BASE ABS MIDNIGHT GRAY VG800B-2		1
69	M-MS-0808-8612	3461750602	HINGE SUB ASSY R L19EMW05BAW		1
70	M-MS-0808-8613	3461750702	HINGE SUB ASSY L L19EMW05BAW		1
71	M-MS-0808-9130	3461752700	HINGE-R SUS304 62*20 T2		1
72	M-MS-0808-9131	3461752800	HINGE-L SUS304 62*20 T2		1
73	M-BK-0805-0043	3461753201	BRACKET ARM SECC 156*126.1*153.6 T2		1
74	M-BK-0805-0044	3461753301	BRACKET BASE SECC 266.6*161.4 T2		1
75	M-MS-0808-8162	3421024500	CABLE CLAMP GROUNDING SPCC T.3mm	K/B WIRE	1
76	M-BK-0805-0061	3460144800	BRACKET CONN SECC 41.7*30 T0.6	PANEL BKT+LVDS CABLE	1
77	M-MS-0808-8561	3460146100	BRACKET VESA SECC 110*20 T1	CABINET BACK	2
78	M-MS-0808-8563	3460146300	BRACKET KEYLOCK SECC 20.4*16.45*4.9 T.6	CABINET BACK	1
79	M-BK-0805-0048	3460165200	BRACKET D-SUB SECC 266*30*29 T.8		1
80	M-BK-0805-0049	3460165300	BRACKET HINGE SECC 228*60*16 T.8		1
81	M-BK-0805-0050	3460165401	BRACKET PANEL SECC 406.3*332.3*19.8 T.8		1
82	M-MS-0808-9144	3460165500	BRACKET SHIELD CAN INV SECC 220.6*66.8*2		1
83	M-MS-0808-9145	3461235402	SHIELD CAN IF SPTH 280.7*156.72*30.4 T.3		1
84	M-MS-0808-9143	3343715400	HSK PLATE AL1100F PICKLING T1		1
85	M-MS-0808-9146	3500117000	END BLOCK-TOP L19BMR05AAB		1
86	M-MS-0808-9147	3500117100	END BLOCK-BOTTOM L19BMR05AAB		1
87	M-MS-0808-9132	3500932402	PE BAG 640*580*.06T CLEAR	3% SPARE PARTS	1
88	M-MS-0808-8762	3500937501	PE BAG 300*200*0.06T	FOR PACKING POWER CORD+AUDIO CABLE+D-SUB	1
89	#N/A	3510441600	TRAY 1166*1076*142H(INSIDE) VX900	AIR SHIPPING	0.125
90	M-LCD-0826-0127	3510552100	TUBE 1156*1066*1050(H) LCD 19"	BY AIR SHIPPING	0.063
91	#N/A	3510807600	ANGLE PAPER 2190*55*55	BY SEA	0.125
92	M-MS-0808-9133	3510878400	CAP PAPER 1140*1050*120	BY SEA FOR 32 SETS/PALLET	0.032
93	P-BX-0601-0928	3512251700	CARTON 556*515*252 VG910B L19BMR05ABB	3% FOR SPARE PARTS	1
94	#N/A	3520026001	PALLET FUMIGATE 1070*1140*120	BY AIR SHIPPING FOR 16SETS/PALLET	0.063
95	#N/A	3520026001	PALLET FUMIGATE 1070*1140*120	BY SEA	0.032
96	M-MS-0808-5135	3520082400	PE FILM t=0.02mm W=500		0.04
97	M-MS-0808-7820	3520130500	DRYER 15G 80*60		2
98	PL-SP-0723-0002	3520142700	PLASTIC STRIP W=12 T.5 BLACK		1
99	A-CD-VG910B	3532078300	CD-ROM VSC A-CD-VG910B-1	PUT IN MANUAL PACKING ASSY	1
100	A-UG-0107-0511	3532078601	MANUAL PACKING ASSY VSC VG910B	PUT IN CARTON	1
101	M-MS-0808-8396	3520094201	PE BAG 260*155*0.1T		1
102	#N/A	5011097400	MANUAL QUICK START GUIDE VSC VG910B		1
103	M-MS-0808-9135	3610171802	AC SOCKET ASSY VG810S		1
104	M-WR-0828-6619	3670479600	WIRE WITH HOUSING 2547 #28 L500 4P	I/F TO SPEAKER	1
105	M-WR-0828-6623	3679009500	WIRE WITH HOUSING 20276 #30 L395 12P	I/F TO K/B	1
106	E-SK-0412-0086	3790182900	SPEAKER ASSY L18FMR05AAB		2
107	M-LCD-0826-0192	5051901202	LCD 19" TFT PANEL SXGA		1
108	B-IF-0222-0053	5600110127	LCD I/F BD ASSY L19BMR 05AAB		1
109	#N/A	2970040202	PWB D0 FR-4 145*117 (I/F BD)		1
110	M-LB-0813-0913	3202005900	LABEL SERIAL 42*11 SONY	FOR STICK ON I/F BD	1
111	M-LB-0813-0914	3202009100	LABEL REISTRATION 40*16		1
112	M-LB-0813-0915	3202215900	LABEL MCU 11*11 POLYESTER 50#		0.13
113	M-MS-0808-9141	3240296500	THERMAL PAD SILICONE 20*14 T2	STICK ON IC401	1
114	#N/A	3670706002	WIRE WITH HOUSING 1007 #26 L120 7P	CN302,I/V TO I/F	1
115	B-SB-0221-0590	5600110128	LCD INVERTER BD ASSY L19BMR 05AAB		1

VG910b BOM LIST

Item	ViewSonic P/N	Ref. P/N	Description	Location	Q'ty
116	#N/A	2970040301	PWB S0 CEM-1 175*43 (INVERTER BD)		1
117	B-PS-0204-0059	5600110175	LCD POWER BD ASSY L19BMR 05AAB		1
118	#N/A	2970040002	PWB S0 CEM-1 125*60 (PWR BD)		1
119	M-SCW-0824-0778	3105229400	SCREW M M3*0.5*10 FF C S18C ZN		2
120	M-MS-0808-9125	3110110900	NUT M3*0.5 AISI1018		2
121	M-MS-0808-8202	3220133600	TAPE W=10 #1350F-1 3M	STICK ON INSULATOR(32402166XX)	0.15
122	M-MS-0808-9128	3240216601	INSULATOR PP T.43 60.86*129		1
123	PL-CL-0710-0034	3421095601	CLIP SUS301 T=0.4		1
124	B-KB-0207-0046	5600110180	LCD FUN KEY BD ASSY L19BMR 05AAB		1
125	#N/A	2970039902	PWB S0 FR-1 140*24.3 (KEY BD)		1
126	#N/A	313121000	RES CH 1/4W 120 J 1206	R801,R828	2
127	#N/A	341062300	RES CH 1/10W 15K F 0603	R261	1
128	E-R-0405-7034	341077300	RES CH 1/10W 47K F 0603	R262	1
129	#N/A	341448300	RES CH 1/10W 392 F 0603	R401	1
130	E-R-0405-7041	343000300	RES CH 1/10W ZERO J 0603	R641,R642,R643,R644,R645,R646,R647,R648,R808,R810	10
131	E-R-0405-7049	343100300	RES CH 1/10W 10 J 0603	R260	1
132	E-R-0405-6684	343101300	RES CH 1/10W 100 J 0603	R327,R328,R329,R335,R336,R350,R612,R613,R614,R615,R616,R617,R632,R634	14
133	E-R-0405-7054	343102300	RES CH 1/10W 1K J 0603	R320,R636,R638	3
134	E-R-0405-6685	343103300	RES CH 1/10W 10K J 0603	R316,R318,R323,R324,R326,R331,R333,R334,R339,R341,R342,R346,R347,R353,R355,R357,R601,R602,R607,R628,R629,R635,R823,R824,R825,R826	26
135	E-R-0405-7042	343220300	RES CH 1/10W 22 J 0603	R804,R805	2
136	E-R-0405-6687	343222300	RES CH 1/10W 2.2K J 0603	R321,R633,R812,R813	4
137	#N/A	343434300	RES CH 1/10W 430K J 0603	R263	1
138	E-R-0405-6690	343470300	RES CH 1/10W 47 J 0603	R603,R604,R622,R623	4
139	E-R-0405-7033	343471300	RES CH 1/10W 470 J 0603	R301,R302,R303,R304,R305,R306,R307,R308,R611	11
140	E-R-0405-7031	343472300	RES CH 1/10W 4.7K J 0603	R309,R312,R315,R319,R322,R325,R330,R332,R337,R338,R343,R344,R815,R817	14
141	E-R-0405-7031	343472300	RES CH 1/10W 4.7K J 0603	R817	1
142	E-R-0405-7035	343473300	RES CH 1/10W 47K J 0603	R809,R811,R816,R827	4
143	E-R-0405-7036	343511300	RES CH 1/10W 510 J 0603	R313	1
144	E-R-0405-6691	343562300	RES CH 1/10W 5.6K J 0603	R806,R807	2
145	#N/A	343681300	RES CH 1/10W 680 J 0603	R310	1
146	E-R-0405-6693	343750100	RES CH 1/8W 75 J 0805	R624,R625,R626	3
147	#N/A	343823300	RES CH 1/10W 82K J 0603	R317	1
148	#N/A	619900705	RES ARRAY 10K J 8P4R 1206	RP301,RP302,RP303,RP304	4
149	#N/A	619900712	RES ARRAY 10K J 8P4R 1206	RP301,RP302,RP303,RP304	4
150	#N/A	730060412	CRYSTAL 14.318MHZ+-30PPM AT-49	X401	1
151	M-LCD-0826-0128	730500212	CRYSTAL 11.0592MHZ 30PPM 16PF	X301	1
152	E-FS-0410-0074	841110702	FUSE F/P 4A 125V UL CSA	F251	1
153	E-C-0404-4805	142122211200	CAP AL 16V 220U M 8*11.5 TP5	C254,C255,C262,C265,C311,C319,C252,C253,C828,C830	10
154	#N/A	142141001200	CAP AL 25V 10U M 5*11 TP5	C313,C320,C323,C325,C807,C810,C817,C820,C821,C834	10
155	E-C-0404-3839	142141011200	CAP AL 25V 100U M 6.3*11 TP5	C825	1
156	E-C-0404-3953	142142201200	CAP AL 25V 22U M 5*11 TP5	C406,C414,C419,C423,C425,C428,C802,C804,C806,C836	10
157	E-C-0404-3851	142164781200	CAP AL 50V 4.7U M 5*11 TP5	C824,C832,C835,C837	4
158	#N/A	1511447000	CAP MC CP 50V 3.3KP J X7R 0603	C259	1
159	E-C-0404-4869	1511454000	CAP MC CP 50V .01U J X7R 0603	C256	1
160	#N/A	1511508000	CAP MC CP 50V 10P J C0G 0603	C609,C610,C611	3
161	E-C-0404-4878	1511514000	CAP MC CP 50V 22P J C0G 0603	C321,C322,C403,C404	4
162	#N/A	1511518000	CAP MC CP 50V 33P J C0G 0603	C613	1
163	E-C-0404-4874	1511530000	CAP MC CP 50V 100P J C0G 0603	C829,C831	2
164	#N/A	1511536000	CAP MC CP 50V 180P J C0G 0603	C257	1
165	E-C-0404-4877	1511538000	CAP MC CP 50V 220P J C0G 0603	C614	1

VG910b BOM LIST

Item	ViewSonic P/N	Ref. P/N	Description	Location	Q'ty
166	E-C-0404-4875	1511545000	CAP MC CP 50V 1KP J C0G 0603	C602,C818	2
167	E-C-0404-4875	1511545000	CAP MC CP 50V 1KP J C0G 0603	C819	1
168	E-C-0404-4870	1512454000	CAP MC CP 50V .01U K X7R 0603	C301,C302,C303,C304,C305,C306,C307,C308,C309,C326,C331,C332,C333,C422,C838	15
169	#N/A	1512457000	CAP MC CP 50V .047U K X7R 0603	C603,C604,C605,C606,C607,C608	6
170	#N/A	1541577000	CAP MC CP 16V 2.7KP J C0G 0603	C808,C809	2
171	#N/A	1547667100	CAP MC CP 16V 1U Z Y5V 0805	C312	1
172	#N/A	1552458000	CAP MC CP 25V .1U K X7R 0603	C251,C258,C261,C264,C266,C314,C315,C316,C318,C324,C334,C335,C401,C402,C405,C407,C408,C409,C410,C411,C412,C413,C415,C416,C417,C418,C420,C421,C424,C426,C427,C429,C601,C612,C803,C805,C811,C812,C813,C814,C815,C816,C827,C833	44
173	E-D-0403-2139	202351080105	DIO SBD 3A 40V DO-201AD	D251	1
174	#N/A	203812510731	DIO ZEN 0.5W 2.540-2.750V MINI	D253	1
175	#N/A	203812510736	DIO ZEN 0.5W 2.540-2.750V LLDS(MINIMELF)	D253	1
176	E-D-0403-2130	203812540831	DIO ZEN 0.5W 5.45-5.73V MINIMELF	D602,D604,D605,D616,D807	5
177	E-D-0403-2053	203812540836	DIO ZEN 0.5W 5.45-5.73V LLDS(MINIMELF)	D602,D604,D605,D616,D807	5
178	#N/A	203812550631	DIO ZEN 0.5W 6.66-7.01V MINIMELF	D802,D803,D804,D805	4
179	#N/A	203812580223	DIO ZEN 0.5W 8.57-9.01V MINIMELF	D801	1
180	#N/A	203812580231	DIO ZEN 0.5W 8.57-9.01V MINIMELF	D801	1
181	#N/A	203812580236	DIO ZEN 0.5W 8.57-9.01V LLDS(MINIMELF)	D801	1
182	E-D-0403-2049	204520700207	DIO SW 0.215A 75V SOT-23 SE.	D607,D608,D609,D610,D611,D612,D613,D614,D615	9
183	#N/A	204520700305	DIO SW 0.2A 70V SOT-23 C.C.	D601,D603	2
184	E-D-0403-2046	204810750131	DIO SW 0.15A 75V MINIMELF	D254,D301,D302,D313,D314,D806	6
185	#N/A	205300530005	DIO SI 1A 50V DO-41	D252	1
186	E-D-0403-2069	205300530023	DIO SI 1A 50V DO-204AL(DO-41)	D252	1
187	E-Q-0402-1087	210522000405	TR 40V 0.2A SOT-23 100-300	Q303,Q305,Q307,Q308,Q309,Q801,Q803	7
188	E-Q-0402-1180	210522000417	TR 40V 0.2A SOT-23 100-300	Q303,Q305,Q307,Q308,Q309,Q801,Q803	7
189	E-Q-0402-0407	210522000717	TR 40V 1A SOT-23 75	Q802	1
190	#N/A	211522000205	TR -40V -0.2A SOT-23 100-300	Q301,Q302	2
191	E-Q-0402-7017	211522000217	TR -40V -0.2A SOT-23 100-300	Q301,Q302	2
192	E-Q-0402-1554	242522500005	FET 60V 0.115A 7.5OHM LL SOT-23	Q304,Q312	2
193	E-Q-0402-1553	242522500017	FET 60V 0.115A 5OHM LL SOT-23	Q304,Q312	2
194	#N/A	242601100217	FET 30V 7.9A 0.022OHM LL SO-8	IC804,IC805	2
195	#N/A	243601000317	FET -30V -5.3A 0.05OHM LL SOIC-8	Q306,Q310	2
196	E-IC-0401-2940	2500082937	IC LDO REGU 3.3V 5A TO-263	IC253	1
197	#N/A	2500254080	IC REGU ADJ 3A 1.22V 21V SO-8P	IC251	1
198	#N/A	2510337297	IC 8051 UP WITH ISP PLCC-44P	IC301	1
199	E-IC-0401-1927	2530085011	IC 4-CH AUDIO PROCESSOR SO-28P	IC802	1
200	E-IC-0401-1928	2530100016	IC 2*6 STEREO CARD RADIO 9P	IC803	1
201	#N/A	2530222052	IC SXGA LCD CTL PQFP-128P	IC401	1
202	E-IC-0401-2942	2610049742	IC CMOS 2K EEPROM SOIC-8P	IC601,IC602	2
203	#N/A	2610188212	IC EEPROM 16K 5V 8PIN	IC302	1
204	#N/A	2610188612	IC EEPROM 16K SOIC-8P	IC302	1
205	E-IC-0401-2937	2610527042	IC EEPROM 16K SO-8P	IC302	1
206	E-IC-0401-2938	2610527312	IC EEPROM 16K(2048*8) SOIC-8P	IC302	1
207	E-L-0407-1183	2816300400	CHOKE CD 14.5uH K	L252	1
208	#N/A	2816315300	CHOKE CD 19uH +-10%	L251	1
209	#N/A	2921093612	BEAD CH 100MHZ 120 OHM 0.2A 0603	FB301	1
210	#N/A	2921093612	BEAD CH 100MHZ 120 OHM 0.2A 0603	FB302,FB303,FB304,FB305,FB306,FB307,FB308,FB309,FB310,FB251,FB252,FB254,FB311,FB312,FB313,FB314,FB316,FB401,FB402,FB403,FB404,FB405,FB406,FB801,FB802,FB803,FB804,FB806	28
211	E-R-0405-2330	13153000	RES CF 1/4W 15K J	R06	1
212	E-R-0405-5916	23221000	RES CF 1/2W 220 J	R118	1
213	#N/A	311434000	RES CH 1/4W 140K F 1206	R08	1

VG910b BOM LIST

Item	ViewSonic P/N	Ref. P/N	Description	Location	Q'ty
214	#N/A	313000000	RES CH 1/4W ZERO J 1206	J1,J11,J12,J16,J2,J20,J24,J3,J4,R32,R33,R34	12
215	#N/A	313104000	RES CH 1/4W 100K J 1206	R24	1
216	#N/A	313154000	RES CH 1/4W 150K J 1206	R02	1
217	#N/A	313331000	RES CH 1/4W 330 J 1206	R46	1
218	#N/A	313333000	RES CH 1/4W 33K J 1206	R09	1
219	#N/A	341069100	RES CH 1/8W 27K F 0805	R13	1
220	#N/A	341243100	RES CH 1/8W 402 F 0805	R39,R43	2
221	#N/A	343000100	RES CH 1/8W ZERO J 0805	R35	1
222	#N/A	343102100	RES CH 1/8W 1K J 0805	R38,R42	2
223	E-R-0405-6685	343103100	RES CH 1/8W 10K J 0805	R04,R07,R31,R47	4
224	E-R-0405-6686	343105100	RES CH 1/8W 1M J 0805	R12,R25,R26	3
225	#N/A	343332100	RES CH 1/8W 3.3K J 0805	R37,R41	2
226	#N/A	343333100	RES CH 1/8W 33K J 0805	R17,R18,R44	3
227	#N/A	343431100	RES CH 1/8W 430 J 0805	R22,R30	2
228	E-R-0405-6689	343432100	RES CH 1/8W 4.3K J 0805	R03	1
229	#N/A	343512100	RES CH 1/8W 5.1K J 0805	R05,R14,R15,R16	4
230	#N/A	343563100	RES CH 1/8W 56K J 0805	R10	1
231	#N/A	343623100	RES CH 1/8W 62K J 0805	R01	1
232	#N/A	653305002	RES HI-VOL 1/2W 3M J	R36,R40	2
233	#N/A	653305022	RES HI-VOL 1/2W 3M J	R36,R40	2
234	#N/A	841110802	FUSE F/P 5A 125V UL CSA	F01	1
235	#N/A	1160410332	CAP CD 3KV 15P J SL K17.5	C27,C30	2
236	#N/A	1165104012	CAP CD 3KV 5P D SL P7.5	C34,C35	2
237	#N/A	144144711403	CAP AL 25V 470U M 10*16 TP5	C02,C03	2
238	#N/A	1512452100	CAP MC CP 50V 6.8KP K X7R 0805	C29	1
239	#N/A	1512453100	CAP MC CP 50V 8.2KP K X7R 0805	C25,C33	2
240	E-C-0404-4496	1512454100	CAP MC CP 50V .01U K X7R 0805	C10	1
241	#N/A	1512458100	CAP MC CP 50V .1U K X7R 0805	C09,C13,C15,C16,C17,C18,C19,C20,C36,C37	10
242	#N/A	1512479100	CAP MC CP 50V 1.5KP K X7R 0805	C11	1
243	#N/A	1518542100	CAP MC CP 50V 470P F C0G 0805	C14	1
244	#N/A	1542467100	CAP MC CP 16V 1U K X7R 0805	C05,C06,C08	3
245	#N/A	1542473100	CAP MC CP 16V .33U K X7R 0805	C07	1
246	#N/A	1552487200	CAP MC CP 25V 2.2U K X7R 1206	C21,C22,C23,C24	4
247	#N/A	15A7689100	CAP MC CP 10V 4.7U Z Y5V 0805	C217,C26	2
248	E-D-0403-2053	203812540836	DIO ZEN 0.5W 5.45-5.73V LLDs(MINIMELF)	D01,D02,D03,D04,D05	4
249	#N/A	203812580223	DIO ZEN 0.5W 8.57-9.01V MINIMELF	D11	1
250	#N/A	203812580231	DIO ZEN 0.5W 8.57-9.01V MINIMELF	D11	1
251	#N/A	203812580236	DIO ZEN 0.5W 8.57-9.01V LLDs(MINIMELF)	D11	1
252	E-D-0403-2049	204520700207	DIO SW 0.215A 75V SOT-23 SE.	D06,D09,D10,D13,D15,D16,D17,D18	8
253	E-D-0403-2050	204520700217	DIO SW 0.2A 70V SOT-23 SE.	D06,D09,D10,D13,D15,D16,D17,D18	8
254	#N/A	204810750107	DIO SW 0.2A 75V SOD80C(MINIMELF)	D07,D08,D19	3
255	E-D-0403-2136	204810750123	DIO SW 0.15A 75V MINIMELF	D07,D08,D19	3
256	E-D-0403-2046	204810750131	DIO SW 0.15A 75V MINIMELF	D07,D08,D19	3
257	E-D-0403-2047	204810750136	DIO SW 0.15A 75V MINIMELF	D07,D08,D19	1
258	E-Q-0402-0906	210102500011	TR 50V 0.5A TO-92 100-200	Q01	1
259	E-Q-0402-7019	210522000505	TR 40V 0.6A SOT-23 80	Q06,Q07	2
260	E-Q-0402-7020	210522000517	TR 40V 1.0A SOT-23 80	Q06,Q07	2
261	E-Q-0402-7018	211522000405	TR -40V -0.6A SOT-23 100	Q02	1
262	E-Q-0402-1554	242522500005	FET 60V 0.115A 7.5OHM LL SOT-23	Q03,Q04,Q05	3
263	E-Q-0402-1553	242522500017	FET 60V 0.115A 5OHM LL SOT-23	Q03,Q04,Q05	3
264	#N/A	242601000217	FET 30V 7A 0.028OHM LL SO-8 N+P	IC02,IC03,IC04,IC05	4
265	#N/A	2510301254	IC PWM CCFL INVERTER CONTROLLER SOP-20P	IC01	1
266	#N/A	2811980980	X'FMR IT 1.2H K	T01,T02	2
267	#N/A	3070335534	HEADER NY66 94V0 7P P2.0 BROWN	CN01	1
268	E-R-0405-5763	231000000	RES CF 1/2W 10 J	R112	1
269	#N/A	133104000	RES MOF 1W 100K J	R101	1
270	#N/A	143399000	RES MOF 2W .39 J	R103	1
271	E-R-0405-6645	190204200	RES FUSING MF 1/2W .1 J	R108	1

VG910b BOM LIST

Item	ViewSonic P/N	Ref. P/N	Description	Location	Q'ty
272	#N/A	313000000	RES CH 1/4W ZERO J 1206	J2,R109,R116,R219,R115	5
273	#N/A	313101000	RES CH 1/4W 100 J 1206	R201,R202	1
274	#N/A	313125000	RES CH 1/4W 1.2M J 1206	R111,R113	1
275	#N/A	313471000	RES CH 1/4W 470 J 1206	R205	1
276	#N/A	313514000	RES CH 1/4W 510K J 1206	R104,R105,R106,R107	4
277	#N/A	341109100	RES CH 1/8W 1.96K F 0805	R215	1
278	#N/A	341185100	RES CH 1/8W 7.5K F 0805	R209	1
279	#N/A	343303100	RES CH 1/8W 30K J 0805	R114	1
280	#N/A	855340721	FUSE TSC 4A 250V UL VDE 11*4 PIG	F101	1
281	#N/A	910500311	NTC R=5 OHM L 4A	NTC101	1
282	#N/A	910500316	NTC R=5 OHM L 4A	NTC101	1
283	#N/A	923610045	VARISTOR 360V 47J 2500A	VA102	1
284	#N/A	1101030027	CAP Y CD 250VAC 100P K B I	CY101,CY102	2
285	#N/A	1101030032	CAP Y CD 250VAC 100P K B I	CY101,CY102	2
286	#N/A	1101346000	CAP Y CD 250VAC 2.2KP M E II	CY103	1
287	#N/A	140121021303	CAP AL LD 16V 1KU M 12.5*15	C209,C210	2
288	#N/A	140121021348	CAP AL LD 16V 1KU M 12.5*16	C209,C210	2
289	E-C-0404-3851	144164781400	CAP AL 50V 4.7U M 5*11 TP5	C105	1
290	#N/A	145401010208	CAP AL 400V 100U M 18*30	C101	1
291	#N/A	145401010433	CAP AL 400V 100U M 18*25	C101	1
292	E-C-0404-4497	1517658100	CAP MC CP 50V .1U Z Y5V 0805	C106,C214,C217	3
293	#N/A	1532445100	CAP MC CP 200V 1KP K X7R 0805	C212	1
294	E-C-0404-4920	1604314224	CAP X MP PC 275VAC .33U K P15	CX101	1
295	E-C-0404-4685	1604314237	CAP X MP PC 275VAC .33U M P15	CX101	1
296	#N/A	200101110023	DIO BRD 2A 600V KBPM	CR101	1
297	E-D-0403-2025	201330630007	DIO FRD 1A 1000V SOD57 75nS	D102	1
298	#N/A	202003660005	DIO SBD 20A 100V TO-220 C.C.	D201	1
299	#N/A	202003660108	DIO SBD 20A 100V TO-220AB C.C.	D201	1
300	#N/A	202003660123	DIO SBD 20A 100V TO-220AB C.C.	D201	1
301	#N/A	203349610231	DIO TVS 1.5KW 143-158V DO-201AE	D101	1
302	#N/A	203812760036	DIO ZEN 0.5W 24.97-26.26V LLDS(MINIMELF)	D104	1
303	E-D-0403-1937	204322000207	DIO SW 0.25A 200V SOD-27(DO-35)	D103	1
304	#N/A	2310040207	PHOTO 70V 4PIN 160-320% 10.16mm	IC102	1
305	#N/A	2310040208	PHOTO 55V 4PIN 150-300% 10.16	IC102	1
306	E-IC-0401-2340	2310040209	PHOTO 70V 4PIN 160-320% 10.16mm	IC102	1
307	#N/A	2310089008	PHOTO 80V 4PIN 150-300% 10.16mm	IC102	1
308	#N/A	242017800008	FET 700V 6A 1.38ohm TO-220FP	Q101	1
309	#N/A	2500004210	IC VOL ADJ 37V 2.5V 1% T92	IC201	1
310	#N/A	2500004213	IC VOL ADJ 37V 2.5V 1% T92	IC201	1
311	#N/A	2500004214	IC VOL ADJ 37V 2.5V 1% T92	IC201	1
312	#N/A	251039702B	IC PWM GREEN MODE SO-8PIN	IC101	1
313	#N/A	2811100080	X'FMR SMT 480uH J	T101	1
314	#N/A	2817131480	CHOKE CR 600uH MIN 4P	FL101	1
315	#N/A	2817219380	LF 4mH MIN	FL102	1
316	#N/A	3411000500	JUMP WIRE COPPER 0.6*12.5*4.0	J1	1
317	M-MS-0808-8179	2301462531	LED HI-RED/GRN 3*4*2 C.C.	D901	1
318	#N/A	3070337934	HEADER NY66 94V0 11P P2.0 R BROWN	CN301	1
319	#N/A	3071297034	HEADER NYLON66 94V-0 4P P2.0	CN251	1
320	#N/A	3071312334	HEADER NY66 94V0 4P P2.5	CN804	1
321	#N/A	3072231000	CONN PHONE JACK OD3.5 7P R/A GREEN	CN802	1
322	#N/A	3075308757	CONN D-SUB 15P R/A PC99 W/O SCREW	CN602	1
323	#N/A	3075316467	CONN DVI-I 24P P1.905 R	CN601	1
324	#N/A	3075353143	CONN D-SUB FEMALE 15P P2.29 BLUE	CN602	1
325	#N/A	3075415766	CONN FFC/FPC BOTTOM 30P P1.0 SMT	CN401	1
326	#N/A	3076290066	HEADER BOX NY46 94V0 2P P3.5	CN05,CN04,CN03,CN02	4
327	M-WR-0828-0224	3411000300	JUMP WIRE COPPER 0.6*7.5*4.0	J8,J13,J17,J18,J22,J23	6
328	M-WR-0828-0249	3411000400	JUMP WIRE COPPER 0.6*10.0*4.0	J10,J15	2
329	M-WR-0828-0388	3411000600	JUMP WIRE COPPER 0.6*15.0*4.0	J14,J9	2
330	M-WR-0828-0389	3411000700	JUMP WIRE COPPER 0.6*17.5*4.0	J5,J6,J7,J19,J2	5
331	#N/A	3000093900	SWITCH TACTILE DPST	S901,S902,S903,S904,S905,S906,S907,S908	8

VG910b BOM LIST

Item	ViewSonic P/N	Ref. P/N	Description	Location	Q'ty
332	#N/A	3071297834	HEADER NYLON66 94V-0 12P P2.0	CN901	1
333	M-WR-0828-0224	3411000300	JUMP WIRE COPPER 0.6*7.5*4.0	J1~J8	8
334	#N/A	3470500600	LED HOLDER NY66 94V-2 OD=8*4	D901	1
335	#N/A	3642321800	WIRE WITH TERMINAL 1015 #18 BLK L155	CND901,902(ESD SOLUTION)	2
336	#N/A	3341732501	HSK PLATE AL110F 46.5*21 T1.5	HS201	1
337	#N/A	3341732602	HSK PLATE AL1100F PICKLING 64*41.3*21	HS102	1
338	M-MS-0808-9140	3070168334	HEADER NYLON66 94V-0 3P P3.96	CN101	1
339	M-WR-0828-6622	3670479500	WIRE WITH HOUSING 1007 #24 L120 4P	CN201	1
340	M-MS-0808-7754	3343705302	HSK AL T=1.5 21*9	IC803	1

VG910s BOM LIST

Item	ViewSonic P/N	Ref. P/N	Description	Location	Q'ty
1	A-PC-0106-0193	3070000501	AC POWER CORD L1800 BLACK EURO		1
2	A-AU-0120-0033	3080005100	CABLE AUDIO L=1800 BLK PC99		1
3	A-VC-0101-0359	3080426400	CABLE D-SUB/D-SUB L1800 BLK 20276		1
4	M-FC-0809-0790	3080517603	CABLE FFC 30P P1.0 L270 T2	PANEL TO I/F	1
5	A-PC-0106-0150	3090107600	AC POWER CORD L=1800 BLACK UL/CSA		1
6	M-SCW-0824-0410	3100300600	SCREW M M3*0.5*6 PAN C S+P S20C ZN	I/V+PANEL BKT,POWER BD+Panel BKT	10
7	M-SCW-0824-0734	3102710800	SCREW M M4*0.7*8 PAN C S S18C ZN YEL	AC SOCKET GND	1
8	M-SCW-0824-0690	3105051501	SCREW M #4-40*7 HEXH #4-40*3 S18C NI	CONN. D-SUB, DVI-D	2
9	M-SCW-0814-0691	3105120100	SCREW M M4*0.7*12 PAN C S+P S10C ZN YEL	STAND ASSY+cabinet back	6
10	M-SCW-0824-6793	3105125300	SCREW M M4*0.7*6 FF C S18C ZN BLK NYLCOK	Cabinet Back+Panel BKT	2
11	M-SCW-0824-0776	3105221000	SCREW M M3*0.5*6 FF C S18C ZN	Panel BKT+BKT Hinge	2
12	M-SCW-0824-6796	3105223600	SCREW M M3*0.5*8 FF C S18C ZN	PANEL+Panel BKT	4
13	M-SCW-0824-0777	3105225300	SCREW M M3*0.5*4 FF C S18C ZN	CABLE CLAMP+PANEL BKT	1
14	M-SCW-0824-0777	3105225300	SCREW M M3*0.5*4 FF C S18C ZN	D-SUB BKT+Panel BKT	3
15	M-SCW-0824-0777	3105225300	SCREW M M3*0.5*4 FF C S18C ZN	D-SUB BKT+Shield Can	3
16	M-SCW-0824-0777	3105225300	SCREW M M3*0.5*4 FF C S18C ZN	I/V SHIELD+Panel BKT	1
17	M-SCW-0824-0007	3109010100	SCREW T f 3*0.5*8 BIND C S18C ZN	I/F BD+IC803	1
18	M-SCW-0824-0779	3109017700	SCREW T M3*2.7*7.5 FF C S18C ZN YEL	F/B+K/B	3
19	M-SCW-0824-0779	3109017700	SCREW T M3*2.7*7.5 FF C S18C ZN YEL	Cabinet Back+bkt Hinge	4
20	M-SCW-0824-0620	3109020500	SCREW T f 4*1.6*10 PAN C S18C ZN YEL	Cabinet Back+BKT Hinge	4
21	M-SCW-0824-6795	3109023700	SCREW T M4*1.6*8 FPH C S18C ZN YEL	Speaker R&L+F/B	4
22	M-MS-0808-8040	3110250000	WASHER SPRING SWRT	CONN DVI-D	2
23	M-MS-0808-8040	3110250000	WASHER SPRING SWRT	CONN D-SUB	2
24	M-LB-0813-0785	3200158900	LABEL STICKER OD10 WHT HI-POT		1
25	M-LB-0813-0712	3200449700	LABEL WARING	BY AIR SHIPPING,STICK ON TUBE	0.125
26	M-MS-0808-9126	3200655300	NAME PLATE VSC 3-BIRD LOGO AL 14.5*10.0	FOR F/B ,REV:00	1
27	M-MS-0808-9127	3200655500	NAME PLATE AL VIEWSONIC L38 T1.2	FOR F/B ,REV:00	1
28	M-LB-0813-0384	3200712700	LABEL CONTROL 100*90	Stick on pallet	0.063
29	M-LB-0813-0551	3200744000	LABEL BAR CODE 55*15 VSC-G	Stick on flow card	1
30	M-LB-0813-0696	3200753101	LABEL BAR CODE 76*121 VIEWSONIC		1
31	M-LB-0813-0759	3200930800	LABEL VER. CONTROL 20*20 VIEWSONIC	Stick on Carton	0.167
32	M-LB-0813-0917	3201965500	LABEL ID 160*43 VSC VG910S		1
33	M-LB-0813-0900	3202011000	LABEL SERIES PANEL 42*11 T0.05	FOR STICK ON Travel Card	1
34	M-LB-0813-0714	3202310700	LABEL HV WARNING 100*25	FOR I/V SHIELD CAN	1
35	M-MS-0808-8303	3211024500	MYLAR 435*350 T.1	F/B	1
36	M-MS-0808-7507	3220136000	TAPE W=29 #1350F-1 3M	STICK ON PANEL BKT & SHIELD CAN I/F TOP	0.14
37	M-MS-0808-7507	3220136000	TAPE W=29 #1350F-1 3M	AUDIO WIRE+PANEL BKT	0.05
38	M-MS-0808-7507	3220136000	TAPE W=29 #1350F-1 3M	STICK ON TOP BOT SIDE&FFC CONN. EACH 70m	0.21
39	M-MS-0808-7507	3220136000	TAPE W=29 #1350F-1 3M	STICK ON PANEL BKT & SHIELD CAN I/F &	0.09
40	M-MS-0808-7507	3220136000	TAPE W=29 #1350F-1 3M	STICK ON PANEL TOP & BOTTOM WIRE	0.1
41	M-MS-0808-7507	3220136000	TAPE W=29 #1350F-1 3M	STICK ON PANEL BKT & SHIELD CAN I/V LEFT	0.14
42	M-MS-0808-7507	3220136000	TAPE W=29 #1350F-1 3M	STICK ON PANEL BKT & SHIELD CAN I/F RIGH	0.14
43	#N/A	3220161733	TAPE W=20 #3800A NITTO	FOR TWO TOP ANG LE OF F/B	0.09
44	#N/A	3220182510	TAPE W=28 2L #1350F-1 3M	STICK ON PANEL BKT POWER BD AR EA R&L SID	2
45	#N/A	3222201300	TAPE AL FOIL W=25 #80023 CATERON	AUDIO WIRE+PANE L BKT	0.06
46	M-MS-0808-8608	3240956400	RUBBER HOLD PLUG OD4.9 H3.2 BLK	CABINET BACK	4
47	PL-PD-0714-0111	3240968200	RUBBER PAD 50*10 T3 GRAY	PANEL+FFC CABLE T BACK	1
48	M-MS-0808-9142	3241132900	INSULATOR PC T.4 204*40 VG910	STICK ON CABINE	1
49	C-BC-0302-0568	3360248900	CABINET BACK ABS 41 S9LRC1LS		1
50	C-BC-0302-0569	3368216701	R/C ASSY L19BMR05BAB S9LRC1LS		1
51	M-MS-0808-7739	3200648800	NAME PLATE ABS 94HB VIEWSONIC 82.83*34.9		1
52	C-BC-0302-0581	3360249101	R/C ABS 41 VG910S S9LRC1LS		1
53	C-FP-0301-9921	3368302901	F/B ASSY L19BMR05AAB S9LFC1LS		1
54	PL-FK-0709-0150	3360732801	FUNCTION KEY ABS CR S8LFC1LS		1

VG910s BOM LIST

Item	ViewSonic P/N	Ref. P/N	Description	Location	Q'ty
55	C-FP-0301-0961	3361085901	F/B ABS SILVER VG910S S9LFC1LS	3361086200TL	1
56	C-BS-0303-0511	3368991901	STAND ASSY L18FMR05AAB S8LBA1AT SERVICE		1
57	M-SCW-0814-0692	3105124000	SCREW M M4*0.7*6 PAN C S18C NI	HINGE R&L+BKT ARM	6
58	M-SCW-0824-6793	3105125300	SCREW M M4*0.7*6 FF C S18C ZN BLK NYLCOK	BKT ATM+BKT BASE	3
59	M-SCW-0824-6793	3105125300	SCREW M M4*0.7*6 FF C S18C ZN BLK NYLCOK	BKT BASE+COVER BASE	4
60	M-SCW-0824-0413	3109011400	SCREW T M3*0.5*6 BIND C S18C ZN YEL	ARM REAR+BKT ARM	1
61	M-SCW-0824-0620	3109020500	SCREW T f 4*1.6*10 PAN C S18C ZN YEL	ARM FRONT+BKT ARM	4
62	PL-PD-0714-0067	3240956800	RUBBER FOOT 81*13*3T BLK	BKT BSAE	2
63	M-MS-0808-8157	3240957400	SPONGE EVA 100*7 T1 BLACK	BASE COVER	1
64	PL-PD-0714-0068	3240957500	RUBBER FOOT 75*10 T3	BKT BASE	2
65	M-MS-0808-9137	3240977700	RUBBER HOLE PULG OD11.4 ID6.5 T7.36 BLK	ARM REAR	1
66	M-CV-0830-2381	3360916300	ARM FRONT ABS 41 VX700-2		1
67	M-CV-0830-2509	3360919201	ARM COVER REAR ABS 41 S8LBA2LS		1
68	M-CV-0830-2394	3361205900	COVER BASE ABS 41 VG800-2		1
69	M-MS-0808-8612	3461750602	HINGE SUB ASSY R L19EMW05BAW		1
70	M-MS-0808-8613	3461750702	HINGE SUB ASSY L L19EMW05BAW		1
71	M-MS-0808-9130	3461752700	HINGE-R SUS304 62*20 T2		1
72	M-MS-0808-9131	3461752800	HINGE-L SUS304 62*20 T2		1
73	M-BK-0805-0043	3461753201	BRACKET ARM SECC 156*126.1*153.6 T2		1
74	M-BK-0805-0044	3461753301	BRACKET BASE SECC 266.6*161.4 T2		1
75	M-MS-0808-8162	3421024500	CABLE CLAMP GROUNDING SPCC T.3mm	K/B WIRE	1
76	M-BK-0805-0061	3460144800	BRACKET CONN SECC 41.7*30 T0.6	PANEL BKT+LVDS CABLE	1
77	M-MS-0808-8561	3460146100	BRACKET VESA SECC 110*20 T1	CABINET BACK	2
78	M-MS-0808-8563	3460146300	BRACKET KEYLOCK SECC 20.4*16.45*4.9 T.6	CABINET BACK	1
79	M-BK-0805-0048	3460165200	BRACKET D-SUB SECC 266*30*29 T.8		1
80	M-BK-0805-0049	3460165300	BRACKET HINGE SECC 228*60*16 T.8		1
81	M-BK-0805-0050	3460165401	BRACKET PANEL SECC 406.3*332.3*19.8 T.8		1
82	M-MS-0808-9144	3460165500	BRACKET SHIELD CAN INV SECC 220.6*66.8*2		1
83	M-MS-0808-9145	3461235402	SHIELD CAN IF SPTH 280.7*156.72*30.4 T.3		1
84	M-MS-0808-9143	3343715400	HSK PLATE AL1100F PICKLING T1		1
85	M-MS-0808-9146	3500117000	END BLOCK-TOP L19BMR05AAB		1
86	M-MS-0808-9147	3500117100	END BLOCK-BOTTOM L19BMR05AAB		1
87	M-MS-0808-9132	3500932402	PE BAG 640*580*.06T CLEAR	3% SPARE PARTS	1
88	M-MS-0808-8762	3500937501	PE BAG 300*200*0.06T	FOR PACKING POWER CORD+AUDIO CABLE+D-SUB	1
89	#N/A	3510441600	TRAY 1166*1076*142H(INSIDE) VX900	AIR SHIPPING	0.125
90	M-LCD-0826-0127	3510552100	TUBE 1156*1066*1050(H) LCD 19"	BY AIR SHIPPING	0.063
91	#N/A	3510807600	ANGLE PAPER 2190*55*55	BY SEA	0.125
92	M-MS-0808-9133	3510878400	CAP PAPER 1140*1050*120	BY SEA FOR 32 SETS/PALLET	0.032
93	P-BX-0601-0929	3512251800	CARTON 556*515*252 VG910S L18BMR05AAB	3% FOR SPARE PARTS	1
94	#N/A	3520026001	PALLET FUMIGATE 1070*1140*120	BY AIR SHIPPING FOR 16SETS/PALLET	0.063
95	#N/A	3520026001	PALLET FUMIGATE 1070*1140*120	BY SEA	0.032
96	M-MS-0808-5135	3520082400	PE FILM t=0.02mm W=500		0.04
97	M-MS-0808-7820	3520130500	DRYER 15G 80*60		2
98	PL-SP-0723-0002	3520142700	PLASTIC STRIP W=12 T.5 BLACK		1
99	A-CD-VG910S	3532078400	CD-ROM VSC A-CD-VG910S-1	PUT IN MANUAL PACKING ASSY	1
100	A-UG-0107-0512	3532078501	MANUAL PACKING ASSY VSC VG910S	PUT IN CARTON	1
101	M-MS-0808-8396	3520094201	PE BAG 260*155*0.1T		1
102	M-MS-0808-9203	5011097300	MANUAL QUICK START GUIDE VSC VG910S		1
103	M-MS-0808-9135	3610171802	AC SOCKET ASSY VG810S		1
104	M-WR-0828-6619	3670479600	WIRE WITH HOUSING 2547 #28 L500 4P	I/F TO SPEAKER	1
105	M-WR-0828-6623	3679009500	WIRE WITH HOUSING 20276 #30 L395 12P	I/F TO K/B	1
106	E-SK-0412-0086	3790182900	SPEAKER ASSY L18FMR05AAB		2
107	M-LCD-0826-0192	5051901202	LCD 19" TFT PANEL SXGA		1
108	B-IF-0222-0053	5600110127	LCD I/F BD ASSY L19BMR 05AAB		1
109	#N/A	2970040202	PWB D0 FR-4 145*117 (I/F BD)		1
110	M-LB-0813-0913	3202005900	LABEL SERIAL 42*11 SONY	FOR STICK ON I/F BD	1
111	M-LB-0813-0914	3202009100	LABEL REISTRATION 40*16		1
112	M-LB-0813-0915	3202215900	LABEL MCU 11*11 POLYESTER 50#		0.13

VG910s BOM LIST

Item	ViewSonic P/N	Ref. P/N	Description	Location	Q'ty
113	M-MS-0808-9141	3240296500	THERMAL PAD SILICONE 20*14 T2	STICK ON IC401	1
114	#N/A	3670706002	WIRE WITH HOUSING 1007 #26 L120 7P	CN302,I/V TO I/F	1
115	B-SB-0221-0590	5600110128	LCD INVERTER BD ASSY L19BMR 05AAB		1
116	#N/A	2970040301	PWB S0 CEM-1 175*43 (INVERTER BD)		1
117	B-PS-0204-0059	5600110175	LCD POWER BD ASSY L19BMR 05AAB		1
118	#N/A	2970040002	PWB S0 CEM-1 125*60 (PWR BD)		1
119	M-SCW-0824-0778	3105229400	SCREW M M3*0.5*10 FF C S18C ZN		2
120	M-MS-0808-9125	3110110900	NUT M3*0.5 AISI1018		2
121	M-MS-0808-8202	3220133600	TAPE W=10 #1350F-1 3M	STICK ON INSULATOR(32402166XX)	0.15
122	M-MS-0808-9128	3240216601	INSULATOR PP T.43 60.86*129		1
123	PL-CL-0710-0034	3421095601	CLIP SUS301 T=0.4		1
124	B-KB-0207-0046	5600110180	LCD FUN KEY BD ASSY L19BMR 05AAB		1
125	#N/A	2970039902	PWB S0 FR-1 140*24.3 (KEY BD)		1
126	#N/A	313121000	RES CH 1/4W 120 J 1206	R801,R828	2
127	#N/A	341062300	RES CH 1/10W 15K F 0603	R261	1
128	E-R-0405-7034	341077300	RES CH 1/10W 47K F 0603	R262	1
129	#N/A	341448300	RES CH 1/10W 392 F 0603	R401	1
130	E-R-0405-7041	343000300	RES CH 1/10W ZERO J 0603	R641,R642,R643,R644,R645,R646,R647,R648,R808,R810	10
131	E-R-0405-7049	343100300	RES CH 1/10W 10 J 0603	R260	1
132	E-R-0405-6684	343101300	RES CH 1/10W 100 J 0603	R327,R328,R329,R335,R336,R350,R612,R613,R614,R615,R616,R617,R632,R634	14
133	E-R-0405-7054	343102300	RES CH 1/10W 1K J 0603	R320,R636,R638	3
134	E-R-0405-6685	343103300	RES CH 1/10W 10K J 0603	R316,R318,R323,R324,R326,R331,R333,R334,R339,R341,R342,R346,R347,R353,R355,R357,R601,R602,R607,R628,R629,R635,R823,R824,R825,R826	26
135	E-R-0405-7042	343220300	RES CH 1/10W 22 J 0603	R804,R805	2
136	E-R-0405-6687	343222300	RES CH 1/10W 2.2K J 0603	R321,R633,R812,R813	4
137	#N/A	343434300	RES CH 1/10W 430K J 0603	R263	1
138	E-R-0405-6690	343470300	RES CH 1/10W 47 J 0603	R603,R604,R622,R623	4
139	E-R-0405-7033	343471300	RES CH 1/10W 470 J 0603	R301,R302,R303,R304,R305,R306,R307,R308,R611	11
140	E-R-0405-7031	343472300	RES CH 1/10W 4.7K J 0603	R309,R312,R315,R319,R322,R325,R330,R332,R337,R338,R343,R344,R815,R817	14
141	E-R-0405-7031	343472300	RES CH 1/10W 4.7K J 0603	R817	1
142	E-R-0405-7035	343473300	RES CH 1/10W 47K J 0603	R809,R811,R816,R827	4
143	E-R-0405-7036	343511300	RES CH 1/10W 510 J 0603	R313	1
144	E-R-0405-6691	343562300	RES CH 1/10W 5.6K J 0603	R806,R807	2
145	#N/A	343681300	RES CH 1/10W 680 J 0603	R310	1
146	E-R-0405-6693	343750100	RES CH 1/8W 75 J 0805	R624,R625,R626	3
147	#N/A	343823300	RES CH 1/10W 82K J 0603	R317	1
148	#N/A	619900705	RES ARRAY 10K J 8P4R 1206	RP301,RP302,RP303,RP304	4
149	#N/A	619900712	RES ARRAY 10K J 8P4R 1206	RP301,RP302,RP303,RP304	4
150	#N/A	730060412	CRYSTAL 14.318MHZ+-30PPM AT-49	X401	1
151	M-LCD-0826-0128	730500212	CRYSTAL 11.0592MHZ 30PPM 16PF	X301	1
152	E-FS-0410-0074	841110702	FUSE F/P 4A 125V UL CSA	F251	1
153	E-C-0404-4805	142122211200	CAP AL 16V 220U M 8*11.5 TP5	C254,C255,C262,C265,C311,C319,C252,C253,C828,C830	10
154	#N/A	142141001200	CAP AL 25V 10U M 5*11 TP5	C313,C320,C323,C325,C807,C810,C817,C820,C821,C834	10
155	E-C-0404-3839	142141011200	CAP AL 25V 100U M 6.3*11 TP5	C825	1
156	E-C-0404-3953	142142201200	CAP AL 25V 22U M 5*11 TP5	C406,C414,C419,C423,C425,C428,C802,C804,C806,C836	10
157	E-C-0404-3851	142164781200	CAP AL 50V 4.7U M 5*11 TP5	C824,C832,C835,C837	4
158	#N/A	1511447000	CAP MC CP 50V 3.3KJ X7R 0603	C259	1
159	E-C-0404-4869	1511454000	CAP MC CP 50V .01U J X7R 0603	C256	1
160	#N/A	1511508000	CAP MC CP 50V 10P J COG 0603	C609,C610,C611	3

VG910s BOM LIST

Item	ViewSonic P/N	Ref. P/N	Description	Location	Q'ty
161	E-C-0404-4878	1511514000	CAP MC CP 50V 22P J C0G 0603	C321,C322,C403,C404	4
162	#N/A	1511518000	CAP MC CP 50V 33P J C0G 0603	C613	1
163	E-C-0404-4874	1511530000	CAP MC CP 50V 100P J C0G 0603	C829,C831	2
164	#N/A	1511536000	CAP MC CP 50V 180P J C0G 0603	C257	1
165	E-C-0404-4877	1511538000	CAP MC CP 50V 220P J C0G 0603	C614	1
166	E-C-0404-4875	1511545000	CAP MC CP 50V 1KP J C0G 0603	C602,C818	2
167	E-C-0404-4875	1511545000	CAP MC CP 50V 1KP J C0G 0603	C819	1
168	E-C-0404-4870	1512454000	CAP MC CP 50V .01U K X7R 0603	C301,C302,C303,C304,C305,C306,C307,C308,C309,C326,C331,C332,C333,C422,C838	15
169	#N/A	1512457000	CAP MC CP 50V .047U K X7R 0603	C603,C604,C605,C606,C607,C608	6
170	#N/A	1541577000	CAP MC CP 16V 2.7KP J C0G 0603	C808,C809	2
171	#N/A	1547667100	CAP MC CP 16V 1U Z Y5V 0805	C312	1
172	#N/A	1552458000	CAP MC CP 25V .1U K X7R 0603	C251,C258,C261,C264,C266,C314,C315,C316,C318,C324,C334,C335,C401,C402,C405,C407,C408,C409,C410,C411,C412,C413,C415,C416,C417,C418,C420,C421,C424,C426,C427,C429,C601,C612,C803,C805,C811,C812,C813,C814,C815,C816,C827,C833	44
173	E-D-0403-2139	202351080105	DIO SBD 3A 40V DO-201AD	D251	1
174	#N/A	203812510731	DIO ZEN 0.5W 2.540-2.750V MINI	D253	1
175	#N/A	203812510736	DIO ZEN 0.5W 2.540-2.750V LLDS(MINIMELF)	D253	1
176	E-D-0403-2130	203812540831	DIO ZEN 0.5W 5.45-5.73V MINIMELF	D602,D604,D605,D616,D807	5
177	E-D-0403-2053	203812540836	DIO ZEN 0.5W 5.45-5.73V LLDS(MINIMELF)	D602,D604,D605,D616,D807	5
178	#N/A	203812550631	DIO ZEN 0.5W 6.66-7.01V MINIMELF	D802,D803,D804,D805	4
179	#N/A	203812580223	DIO ZEN 0.5W 8.57-9.01V MINIMELF	D801	1
180	#N/A	203812580231	DIO ZEN 0.5W 8.57-9.01V MINIMELF	D801	1
181	#N/A	203812580236	DIO ZEN 0.5W 8.57-9.01V LLDS(MINIMELF)	D801	1
182	E-D-0403-2049	204520700207	DIO SW 0.215A 75V SOT-23 SE.	D607,D608,D609,D610,D611,D612,D613,D614,D615	9
183	#N/A	204520700305	DIO SW 0.2A 70V SOT-23 C.C.	D601,D603	2
184	E-D-0403-2046	204810750131	DIO SW 0.15A 75V MINIMELF	D254,D301,D302,D313,D314,D806	6
185	#N/A	205300530005	DIO SI 1A 50V DO-41	D252	1
186	E-D-0403-2069	205300530023	DIO SI 1A 50V DO-204AL(DO-41)	D252	1
187	E-Q-0402-1087	210522000405	TR 40V 0.2A SOT-23 100-300	Q303,Q305,Q307,Q308,Q309,Q801,Q803	7
188	E-Q-0402-1180	210522000417	TR 40V 0.2A SOT-23 100-300	Q303,Q305,Q307,Q308,Q309,Q801,Q803	7
189	E-Q-0402-0407	210522000717	TR 40V 1A SOT-23 75	Q802	1
190	#N/A	211522000205	TR -40V -0.2A SOT-23 100-300	Q301,Q302	2
191	E-Q-0402-7017	211522000217	TR -40V -0.2A SOT-23 100-300	Q301,Q302	2
192	E-Q-0402-1554	242522500005	FET 60V 0.115A 7.5OHM LL SOT-23	Q304,Q312	2
193	E-Q-0402-1553	242522500017	FET 60V 0.115A 5OHM LL SOT-23	Q304,Q312	2
194	#N/A	242601100217	FET 30V 7.9A 0.022OHM LL SO-8	IC804,IC805	2
195	#N/A	243601000317	FET -30V -5.3A 0.05OHM LL SOIC-8	Q306,Q310	2
196	E-IC-0401-2940	2500082937	IC LDO REGU 3.3V 5A TO-263	IC253	1
197	#N/A	2500254080	IC REGU ADJ 3A 1.22V 21V SO-8P	IC251	1
198	#N/A	2510337297	IC 8051 UP WITH ISP PLCC-44P	IC301	1
199	E-IC-0401-1927	2530085011	IC 4-CH AUDIO PROCESSOR SO-28P	IC802	1
200	E-IC-0401-1928	2530100016	IC 2*6 STEREO CARD RADIO 9P	IC803	1
201	#N/A	2530222052	IC SXGA LCD CTL PQFP-128P	IC401	1
202	E-IC-0401-2942	2610049742	IC CMOS 2K EEPROM SOIC-8P	IC601,IC602	2
203	#N/A	2610188212	IC E2PROM 16K 5V 8PIN	IC302	1
204	#N/A	2610188612	IC EEPROM 16K SOIC-8P	IC302	1
205	E-IC-0401-2937	2610527042	IC EEPROM 16K SO-8P	IC302	1
206	E-IC-0401-2938	2610527312	IC EEPROM 16K(2048*8) SOIC-8P	IC302	1
207	E-L-0407-1183	2816300400	CHOKE CD 14.5uH K	L252	1
208	#N/A	2816315300	CHOKE CD 19uH +-10%	L251	1
209	#N/A	2921093612	BEAD CH 100MHZ 120 OHM 0.2A 0603	FB301	1

VG910s BOM LIST

Item	ViewSonic P/N	Ref. P/N	Description	Location	Qty
210	#N/A	2921093612	BEAD CH 100MHZ 120 OHM 0.2A 0603	FB302,FB303,FB304,FB305,FB306,FB307,FB308,FB309,FB310,FB251,FB252,FB254,FB311,FB312,FB313,FB314,FB316,FB401,FB402,FB403,FB404,FB405,FB406,FB801,FB802,FB803,FB804,FB806	28
211	E-R-0405-2330	13153000	RES CF 1/4W 15K J	R06	1
212	E-R-0405-5916	23221000	RES CF 1/2W 220 J	R118	1
213	#N/A	311434000	RES CH 1/4W 140K F 1206	R08	1
214	#N/A	313000000	RES CH 1/4W ZERO J 1206	J1,J11,J12,J16,J2,J20,J24,J3,J4,R32,R33,R34	12
215	#N/A	313104000	RES CH 1/4W 100K J 1206	R24	1
216	#N/A	313154000	RES CH 1/4W 150K J 1206	R02	1
217	#N/A	313331000	RES CH 1/4W 330 J 1206	R46	1
218	#N/A	313333000	RES CH 1/4W 33K J 1206	R09	1
219	#N/A	341069100	RES CH 1/8W 27K F 0805	R13	1
220	#N/A	341243100	RES CH 1/8W 402 F 0805	R39,R43	2
221	#N/A	343000100	RES CH 1/8W ZERO J 0805	R35	1
222	#N/A	343102100	RES CH 1/8W 1K J 0805	R38,R42	2
223	E-R-0405-6685	343103100	RES CH 1/8W 10K J 0805	R04,R07,R31,R47	4
224	E-R-0405-6686	343105100	RES CH 1/8W 1M J 0805	R12,R25,R26	3
225	#N/A	343332100	RES CH 1/8W 3.3K J 0805	R37,R41	2
226	#N/A	343333100	RES CH 1/8W 33K J 0805	R17,R18,R44	3
227	#N/A	343431100	RES CH 1/8W 430 J 0805	R22,R30	2
228	E-R-0405-6689	343432100	RES CH 1/8W 4.3K J 0805	R03	1
229	#N/A	343512100	RES CH 1/8W 5.1K J 0805	R05,R14,R15,R16	4
230	#N/A	343563100	RES CH 1/8W 56K J 0805	R10	1
231	#N/A	343623100	RES CH 1/8W 62K J 0805	R01	1
232	#N/A	653305002	RES HI-VOL 1/2W 3M J	R36,R40	2
233	#N/A	653305022	RES HI-VOL 1/2W 3M J	R36,R40	2
234	#N/A	841110802	FUSE F/P 5A 125V UL CSA	F01	1
235	#N/A	1160410332	CAP CD 3KV 15P J SL KI7.5	C27,C30	2
236	#N/A	1165104012	CAP CD 3KV 5P D SL P7.5	C34,C35	2
237	#N/A	144144711403	CAP AL 25V 470U M 10*16 TP5	C02,C03	2
238	#N/A	1512452100	CAP MC CP 50V 6.8KP K X7R 0805	C29	1
239	#N/A	1512453100	CAP MC CP 50V 8.2KP K X7R 0805	C25,C33	2
240	E-C-0404-4496	1512454100	CAP MC CP 50V .01U K X7R 0805	C10	1
241	#N/A	1512458100	CAP MC CP 50V .1U K X7R 0805	C09,C13,C15,C16,C17,C18,C19,C20,C36,C37	10
242	#N/A	1512479100	CAP MC CP 50V 1.5KP K X7R 0805	C11	1
243	#N/A	1518542100	CAP MC CP 50V 470P F COG 0805	C14	1
244	#N/A	1542467100	CAP MC CP 16V 1U K X7R 0805	C05,C06,C08	3
245	#N/A	1542473100	CAP MC CP 16V .33U K X7R 0805	C07	1
246	#N/A	1552487200	CAP MC CP 25V 2.2U K X7R 1206	C21,C22,C23,C24	4
247	#N/A	15A7689100	CAP MC CP 10V 4.7U Z Y5V 0805	C217,C26	2
248	E-D-0403-2053	203812540836	DIO ZEN 0.5W 5.45-5.73V LLDS(MINIMELF)	D01,D02,D03,D04,D05	4
249	#N/A	203812580223	DIO ZEN 0.5W 8.57-9.01V MINIMELF	D11	1
250	#N/A	203812580231	DIO ZEN 0.5W 8.57-9.01V MINIMELF	D11	1
251	#N/A	203812580236	DIO ZEN 0.5W 8.57-9.01V LLDS(MINIMELF)	D11	1
252	E-D-0403-2049	204520700207	DIO SW 0.215A 75V SOT-23 SE.	D06,D09,D10,D13,D15,D16,D17,D18	8
253	E-D-0403-2050	204520700217	DIO SW 0.2A 70V SOT-23 SE.	D06,D09,D10,D13,D15,D16,D17,D18	8
254	#N/A	204810750107	DIO SW 0.2A 75V SOD80C(MINIMELF)	D07,D08,D19	3
255	E-D-0403-2136	204810750123	DIO SW 0.15A 75V MINIMELF	D07,D08,D19	3
256	E-D-0403-2046	204810750131	DIO SW 0.15A 75V MINIMELF	D07,D08,D19	3
257	E-D-0403-2047	204810750136	DIO SW 0.15A 75V MINIMELF	D07,D08,D19	1
258	E-Q-0402-0906	210102500011	TR 50V 0.5A TO-92 100-200	Q01	1
259	E-Q-0402-7019	210522000505	TR 40V 0.6A SOT-23 80	Q06,Q07	2
260	E-Q-0402-7020	210522000517	TR 40V 1.0A SOT-23 80	Q06,Q07	2
261	E-Q-0402-7018	211522000405	TR -40V -0.6A SOT-23 100	Q02	1
262	E-Q-0402-1554	242522500005	FET 60V 0.115A 7.5OHM LL SOT-23	Q03,Q04,Q05	3

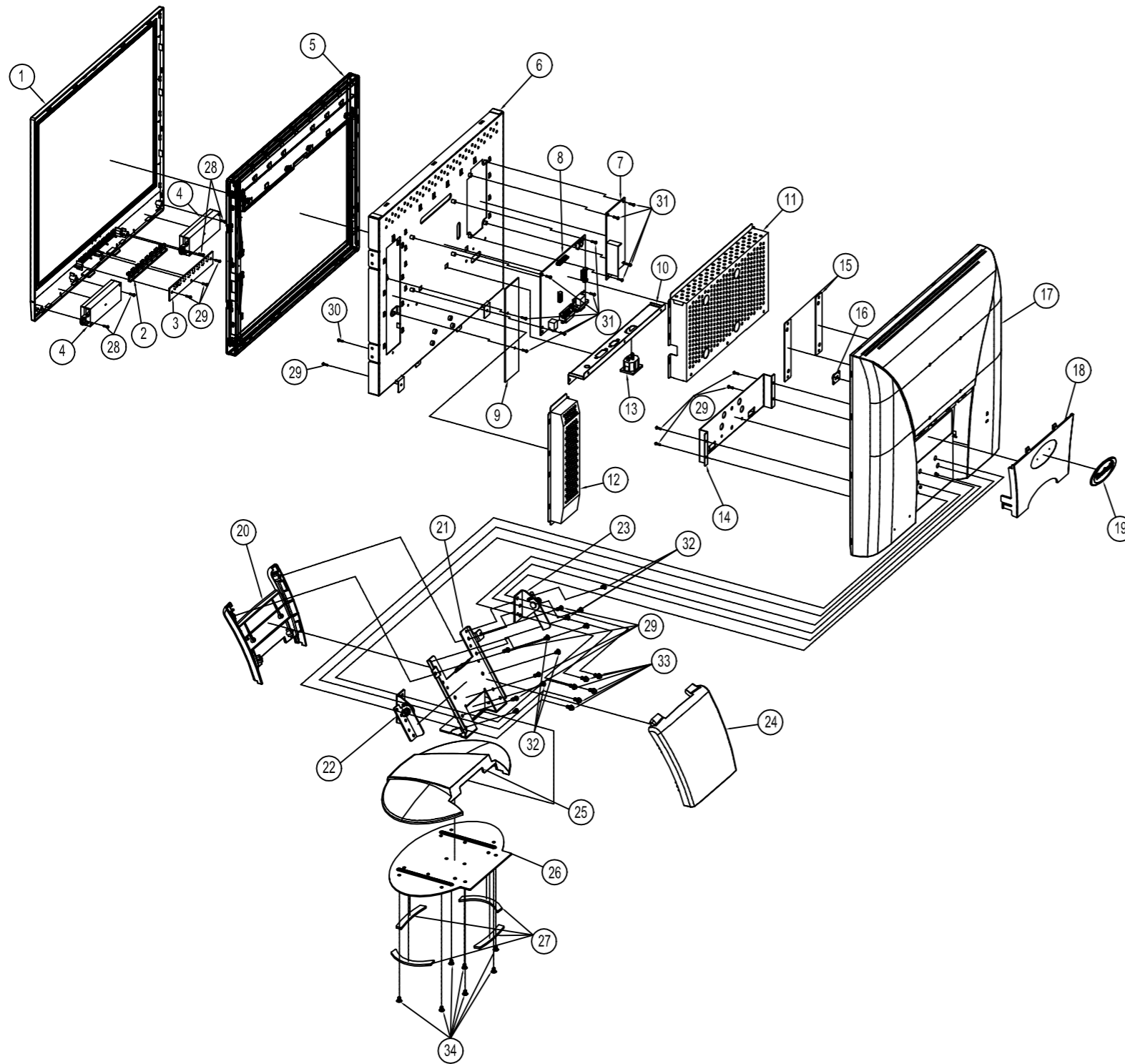
VG910s BOM LIST

Item	ViewSonic P/N	Ref. P/N	Description	Location	Q'ty
263	E-Q-0402-1553	242522500017	FET 60V 0.115A 50HM LL SOT-23	Q03,Q04,Q05	3
264	#N/A	242601000217	FET 30V 7A 0.0280HM LL SO-8 N+P	IC02,IC03,IC04,IC05	4
265	#N/A	2510301254	IC PWM CCFL INVERTER CONTROLLER SOP-20P	IC01	1
266	#N/A	2811980980	X'FMR IT 1.2H K	T01,T02	2
267	#N/A	3070335534	HEADER NY66 94V0 7P P2.0 BROWN	CN01	1
268	E-R-0405-5763	23100000	RES CF 1/2W 10 J	R112	1
269	#N/A	133104000	RES MOF 1W 100K J	R101	1
270	#N/A	143399000	RES MOF 2W .39 J	R103	1
271	E-R-0405-6645	190204200	RES FUSING MF 1/2W .1 J	R108	1
272	#N/A	313000000	RES CH 1/4W ZERO J 1206	J2,R109,R116,R219,R115	5
273	#N/A	313101000	RES CH 1/4W 100 J 1206	R201,R202	1
274	#N/A	313125000	RES CH 1/4W 1.2M J 1206	R111,R113	1
275	#N/A	313471000	RES CH 1/4W 470 J 1206	R205	1
276	#N/A	313514000	RES CH 1/4W 510K J 1206	R104,R105,R106,R107	4
277	#N/A	341109100	RES CH 1/8W 1.96K F 0805	R215	1
278	#N/A	341185100	RES CH 1/8W 7.5K F 0805	R209	1
279	#N/A	343303100	RES CH 1/8W 30K J 0805	R114	1
280	#N/A	855340721	FUSE TSC 4A 250V UL VDE 11*4 PIG	F101	1
281	#N/A	910500311	NTC R=5 OHM L 4A	NTC101	1
282	#N/A	910500316	NTC R=5 OHM L 4A	NTC101	1
283	#N/A	923610045	VARISTOR 360V 47J 2500A	VA102	1
284	#N/A	1101030027	CAP Y CD 250VAC 100P K B I	CY101,CY102	2
285	#N/A	1101030032	CAP Y CD 250VAC 100P K B I	CY101,CY102	2
286	#N/A	1101346000	CAP Y CD 250VAC 2.2KP M E II	CY103	1
287	#N/A	140121021303	CAP AL LD 16V 1KU M 12.5*15	C209,C210	2
288	#N/A	140121021348	CAP AL LD 16V 1KU M 12.5*16	C209,C210	2
289	E-C-0404-3851	144164781400	CAP AL 50V 4.7U M 5*11 TP5	C105	1
290	#N/A	145401010208	CAP AL 400V 100U M 18*30	C101	1
291	#N/A	145401010433	CAP AL 400V 100U M 18*25	C101	1
292	E-C-0404-4497	1517658100	CAP MC CP 50V .1U Z Y5V 0805	C106,C214,C217	3
293	#N/A	1532445100	CAP MC CP 200V 1KP K X7R 0805	C212	1
294	E-C-0404-4920	1604314224	CAP X MP PC 275VAC .33U K P15	CX101	1
295	E-C-0404-4685	1604314237	CAP X MP PC 275VAC .33U M P15	CX101	1
296	#N/A	200101110023	DIO BRD 2A 600V KBPM	CR101	1
297	E-D-0403-2025	201330630007	DIO FRD 1A 1000V SOD57 75nS	D102	1
298	#N/A	202003660005	DIO SBD 20A 100V TO-220 C.C.	D201	1
299	#N/A	202003660108	DIO SBD 20A 100V TO-220AB C.C.	D201	1
300	#N/A	202003660123	DIO SBD 20A 100V TO-220AB C.C.	D201	1
301	#N/A	203349610231	DIO TVS 1.5KW 143-158V DO-201AE	D101	1
302	#N/A	203812760036	DIO ZEN 0.5W 24.97-26.26V LLDS(MINIMELF)	D104	1
303	E-D-0403-1937	204322000207	DIO SW 0.25A 200V SOD-27(DO-35)	D103	1
304	#N/A	2310040207	PHOTO 70V 4PIN 160-320% 10.16mm	IC102	1
305	#N/A	2310040208	PHOTO 55V 4PIN 150-300% 10.16	IC102	1
306	E-IC-0401-2340	2310040209	PHOTO 70V 4PIN 160-320% 10.16mm	IC102	1
307	#N/A	2310089008	PHOTO 80V 4PIN 150-300% 10.16mm	IC102	1
308	#N/A	242017800008	FET 700V 6A 1.38ohm TO-220FP	Q101	1
309	#N/A	2500004210	IC VOL ADJ 37V 2.5V 1% T92	IC201	1
310	#N/A	2500004213	IC VOL ADJ 37V 2.5V 1% T92	IC201	1
311	#N/A	2500004214	IC VOL ADJ 37V 2.5V 1% T92	IC201	1
312	#N/A	251039702B	IC PWM GREEN MODE SO-8PIN	IC101	1
313	#N/A	2811100080	X'FMR SMT 480uH J	T101	1
314	#N/A	2817131480	CHOKE CR 600uH MIN 4P	FL101	1
315	#N/A	2817219380	LF 4mH MIN	FL102	1
316	#N/A	3411000500	JUMP WIRE COPPER 0.6*12.5*4.0	J1	1
317	M-MS-0808-8179	2301462531	LED HI-RED/GRN 3*4*2 C.C.	D901	1
318	#N/A	3070337934	HEADER NY66 94V0 11P P2.0 R BROWN	CN301	1
319	#N/A	3071297034	HEADER NYLON66 94V-0 4P P2.0	CN251	1
320	#N/A	3071312334	HEADER NY66 94V0 4P P2.5	CN804	1
321	#N/A	3072231000	CONN PHONE JACK OD3.5 7P R/A GREEN	CN802	1

VG910s BOM LIST

Item	ViewSonic P/N	Ref. P/N	Description	Location	Q'ty
322	#N/A	3075308757	CONN D-SUB 15P R/A PC99 W/O SCREW	CN602	1
323	#N/A	3075316467	CONN DVI-I 24P P1.905 R	CN601	1
324	#N/A	3075353143	CONN D-SUB FEMALE 15P P2.29 BLUE	CN602	1
325	#N/A	3075415766	CONN FFC/FPC BOTTOM 30P P1.0 SMT	CN401	1
326	#N/A	3076290066	HEADER BOX NY46 94V0 2P P3.5	CN05,CN04,CN03,CN02	4
327	M-WR-0828-0224	3411000300	JUMP WIRE COPPER 0.6*7.5*4.0	J8,J13,J17,J18,J22,J23	6
328	M-WR-0828-0249	3411000400	JUMP WIRE COPPER 0.6*10.0*4.0	J10,J15	2
329	M-WR-0828-0388	3411000600	JUMP WIRE COPPER 0.6*15.0*4.0	J14,J9	2
330	M-WR-0828-0389	3411000700	JUMP WIRE COPPER 0.6*17.5*4.0	J5,J6,J7,J19,J2	5
331	#N/A	3000093900	SWITCH TACTILE DPST	S901,S902,S903,S904,S905,S906,S907,S908	8
332	#N/A	3071297834	HEADER NYLON66 94V-0 12P P2.0	CN901	1
333	M-WR-0828-0224	3411000300	JUMP WIRE COPPER 0.6*7.5*4.0	J1~J8	8
334	#N/A	3470500600	LED HOLDER NY66 94V-2 OD=8*4	D901	1
335	#N/A	3642321800	WIRE WITH TERMINAL 1015 #18 BLK L155	CND901,902(ESD SOLUTION)	2
336	#N/A	3341732501	HSK PLATE AL110F 46.5*21 T1.5	HS201	1
337	#N/A	3341732602	HSK PLATE AL1100F PICKLING 64*41.3*21	HS102	1
338	M-MS-0808-9140	3070168334	HEADER NYLON66 94V-0 3P P3.96	CN101	1
339	M-WR-0828-6622	3670479500	WIRE WITH HOUSING 1007 #24 L120 4P	CN201	1
340	M-MS-0808-7754	3343705302	HSK AL T=1.5 21*9	IC803	1

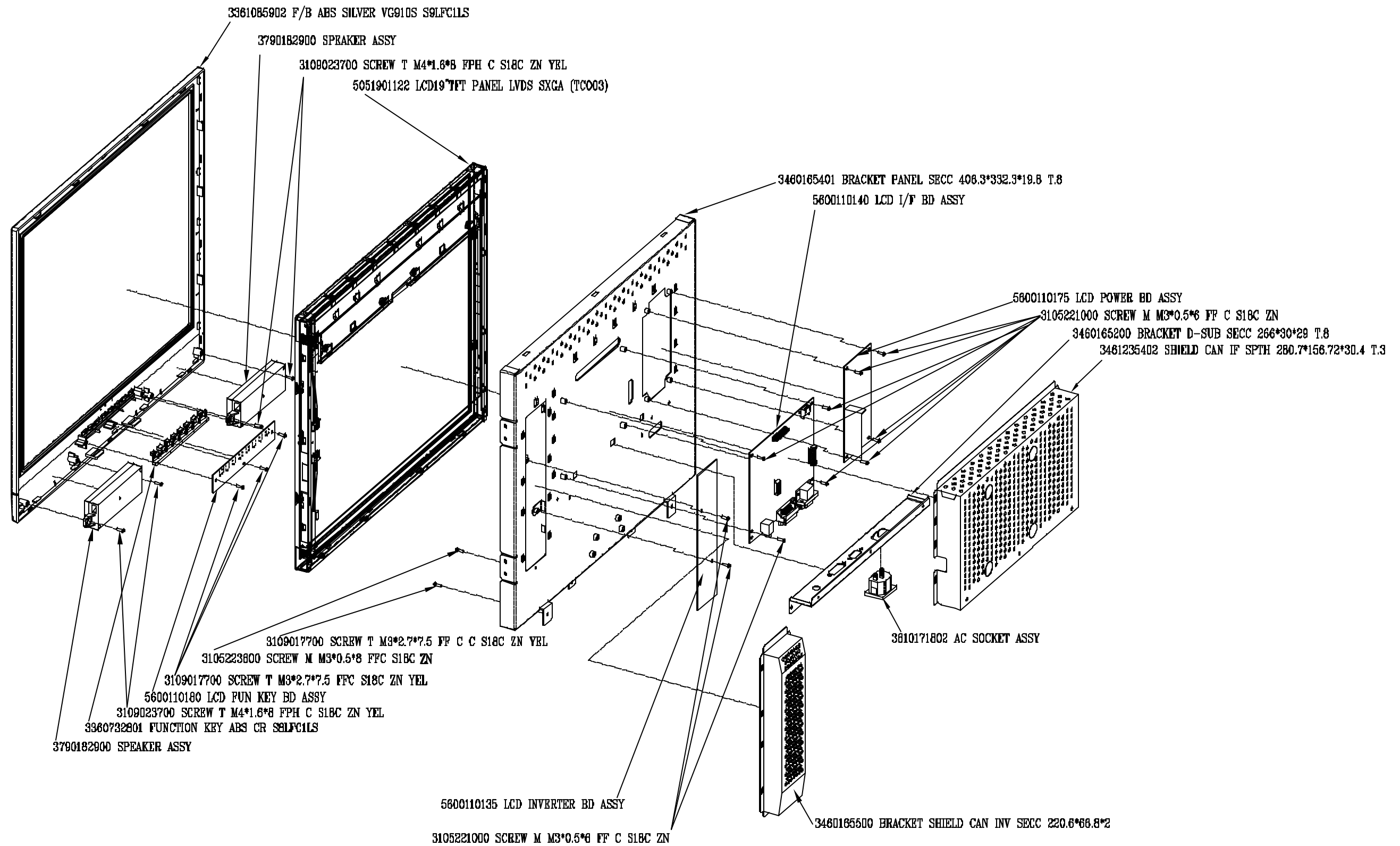
8. Exploded Diagram And Spare Parts List



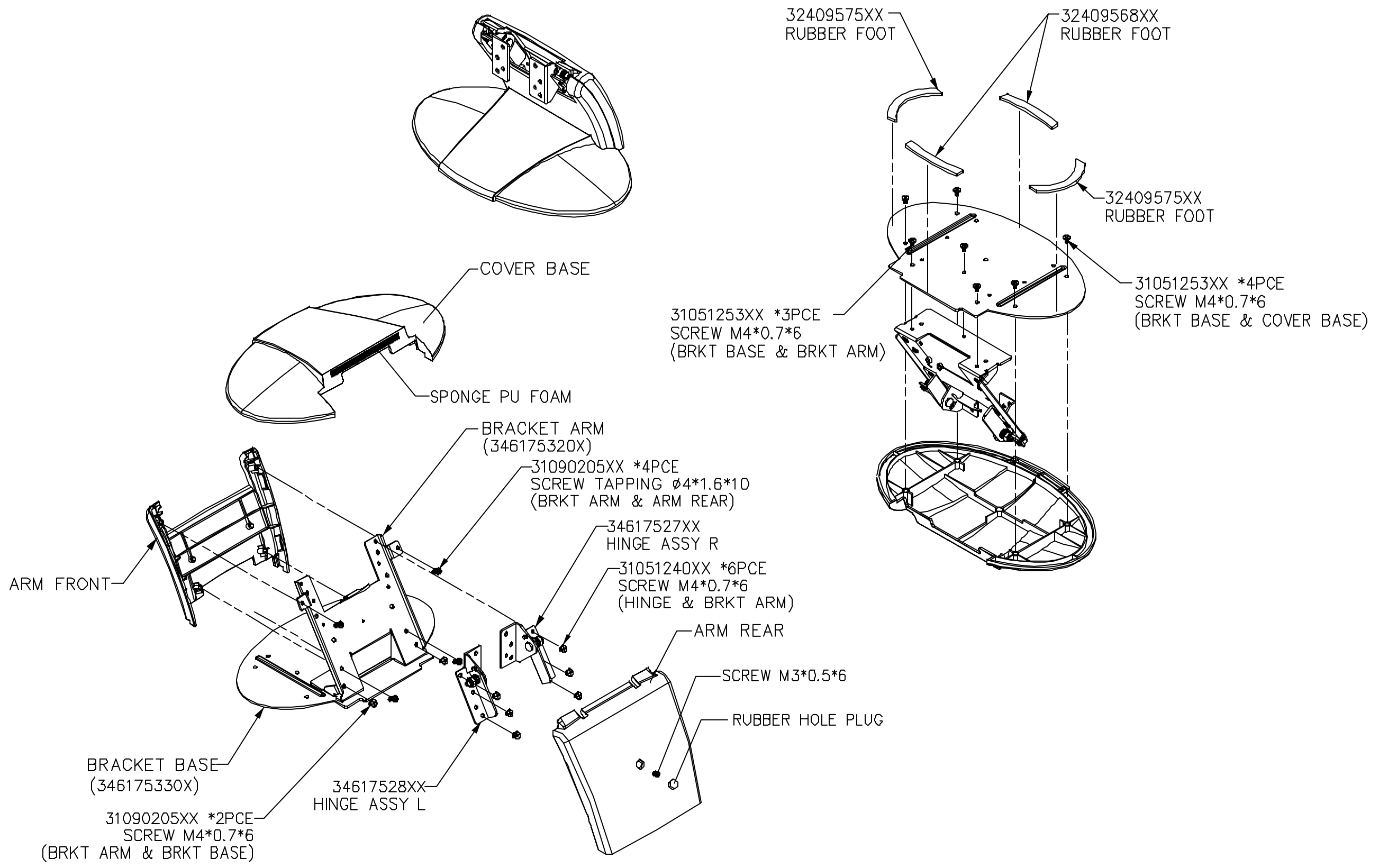
Exploded Parts List

Item	ViewSonic P/N	Ref. P/N	Description	Q'TY
1	C-FP-0301-0962	3361085902	F/B ABS SILVER VG910S S9LFC1LS	1
2	PL-FK-0709-0150	3360732801	FUNCTION KEY ABS CR S8LFC1LS	1
3	B-KB-0207-0046	5600110180	LCD FUN KEY BD ASSY L19BMR 05AAB	1
4	E-SK-0412-0086	3790182900	SPEAKER ASSY L18FMR05AAB	2
5	M-LCD-0826-0208	5051901122	LCD 19" TFT PANEL LVDS SXGA (TC003)	1
6	M-BK-0805-0050	3460165401	BRACKET PANEL SECC 406.3*332.3*19.8 T.8	1
7	B-PS-0204-0059	5600110175	LCD POWER BD ASSY L19BMR 05AAB	1
8	B-IF-0222-0057	5600110140	LCD I/F BD ASSY L19BMR 05BAB	1
9	B-SB-0221-0606	5600110135	LCD INVERTER BD ASSY L19BMR 05BAB	1
10	M-BK-0805-0048	3460165200	BRACKET D-SUB SECC 266*30*29 T.8	1
11	M-MS-0808-9145	3461235402	SHIELD CAN IF SPTH 280.7*156.72*30.4 T.3	1
12	M-MS-0808-9144	3460165500	BRACKET SHIELD CAN INV SECC 220.6*66.8*2	1
13	M-MS-0808-9135	3610171802	AC SOCKET ASSY VG810S	1
14	M-BK-0805-0049	3460165300	BRACKET HINGE SECC 228*60*16 T.8	1
15	M-MS-0808-8561	3460146100	BRACKET VESA SECC 110*20 T1	2
16	M-MS-0808-8563	3460146300	BRACKET KEYLOCK SECC 20.4*16.45*4.9 T.6	1
17	C-BC-0302-0568	3360248900	CABINET BACK ABS 41 S9LRC1LS	1
18	C-BC-0302-0581	3360249101	R/C ABS 41 VG910S S9LRC1LS	1
19	M-MS-0808-7739	3200648800	NAME PLATE ABS 94HB VIEWSONIC 82.83*34.9	1
20	M-CV-0830-2381	3360916300	ARM FRONT ABS 41 VX700-2	1
21	M-BK-0805-0043	3461753201	BRACKET ARM SECC 156*126.1*153.6 T2	1
22	M-MS-0808-9131	3461752800	HINGE-L SUS304 62*20 T2	1
23	M-MS-0808-9130	3461752700	HINGE-R SUS304 62*20 T2	1
24	M-CV-0830-2509	3360919201	ARM COVER REAR ABS 41 S8LBA2LS	1
25	M-CV-0830-2394	3361205900	COVER BASE ABS 41 VG800-2	1
26	M-BK-0805-0044	3461753301	BRACKET BASE SECC 266.6*161.4 T2	1
27	PL-PD-0714-0068	3240957500	RUBBER FOOT 75*10 T3	2
28	M-SCW-0824-6795	3109023700	SCREW T M4*1.6*8 FPH C S18C ZN YEL	4
29	M-SCW-0824-0779	3109017700	SCREW T M3*2.7*7.5 FF C S18C ZN YEL	4
30	M-SCW-0824-6796	3105223600	SCREW M M3*0.5*8 FF C S18C ZN	4
31	M-SCW-0824-0776	3105221000	SCREW M M3*0.5*6 FF C S18C ZN	2
32	M-SCW-0824-0620	3109020500	SCREW T f 4*1.6*10 PAN C S18C ZN YEL	4
33	M-SCW-0814-0691	3105120100	SCREW M M4*0.7*12 PAN C S+P S10C ZN YEL	6
34	M-SCW-0824-6793	3105125300	SCREW M M4*0.7*6 FF C S18C ZN BLK NYLCOK	7

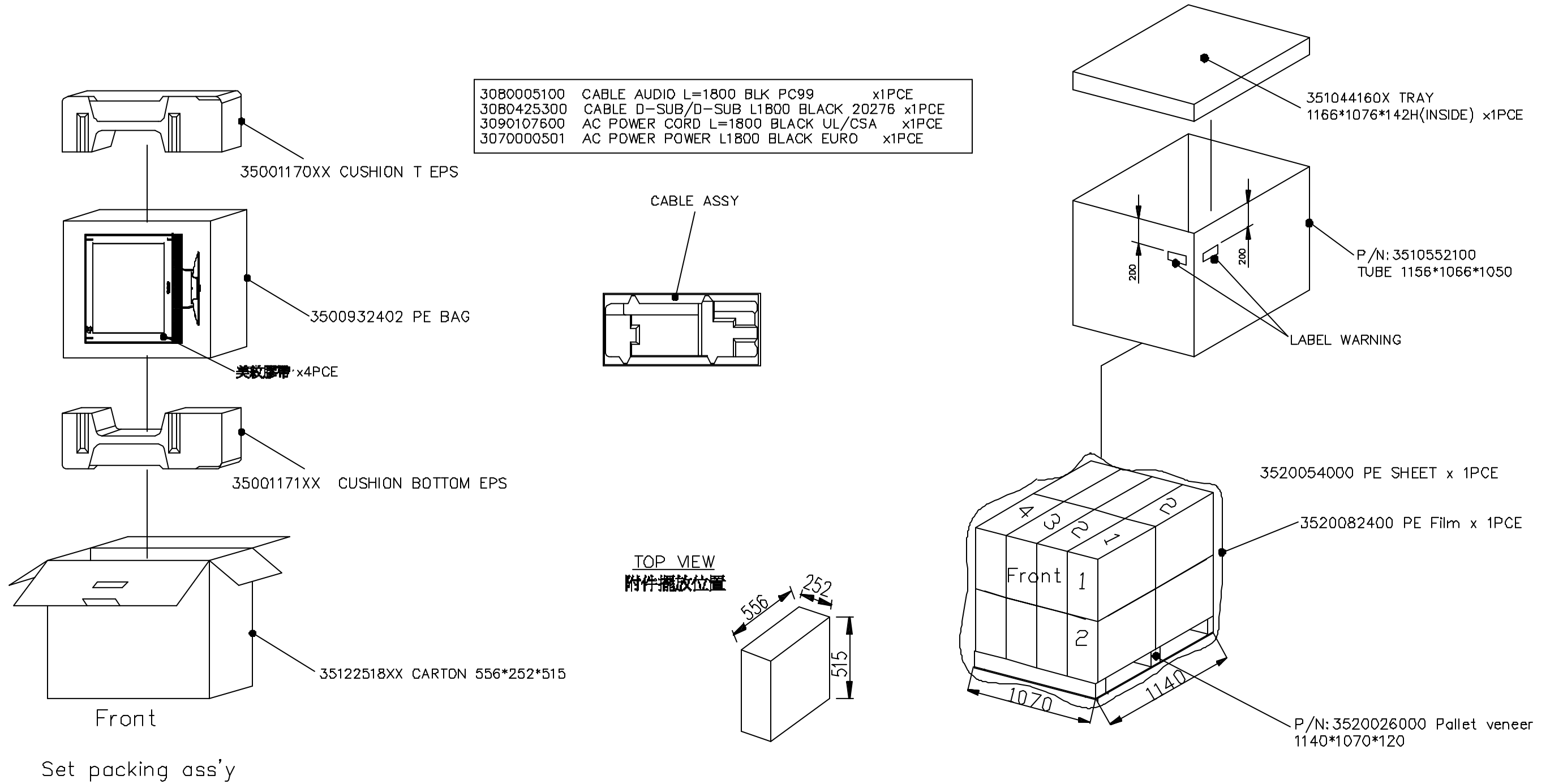
Mechanical Front bezel Assembly



Mechanical Stand Base Assembly

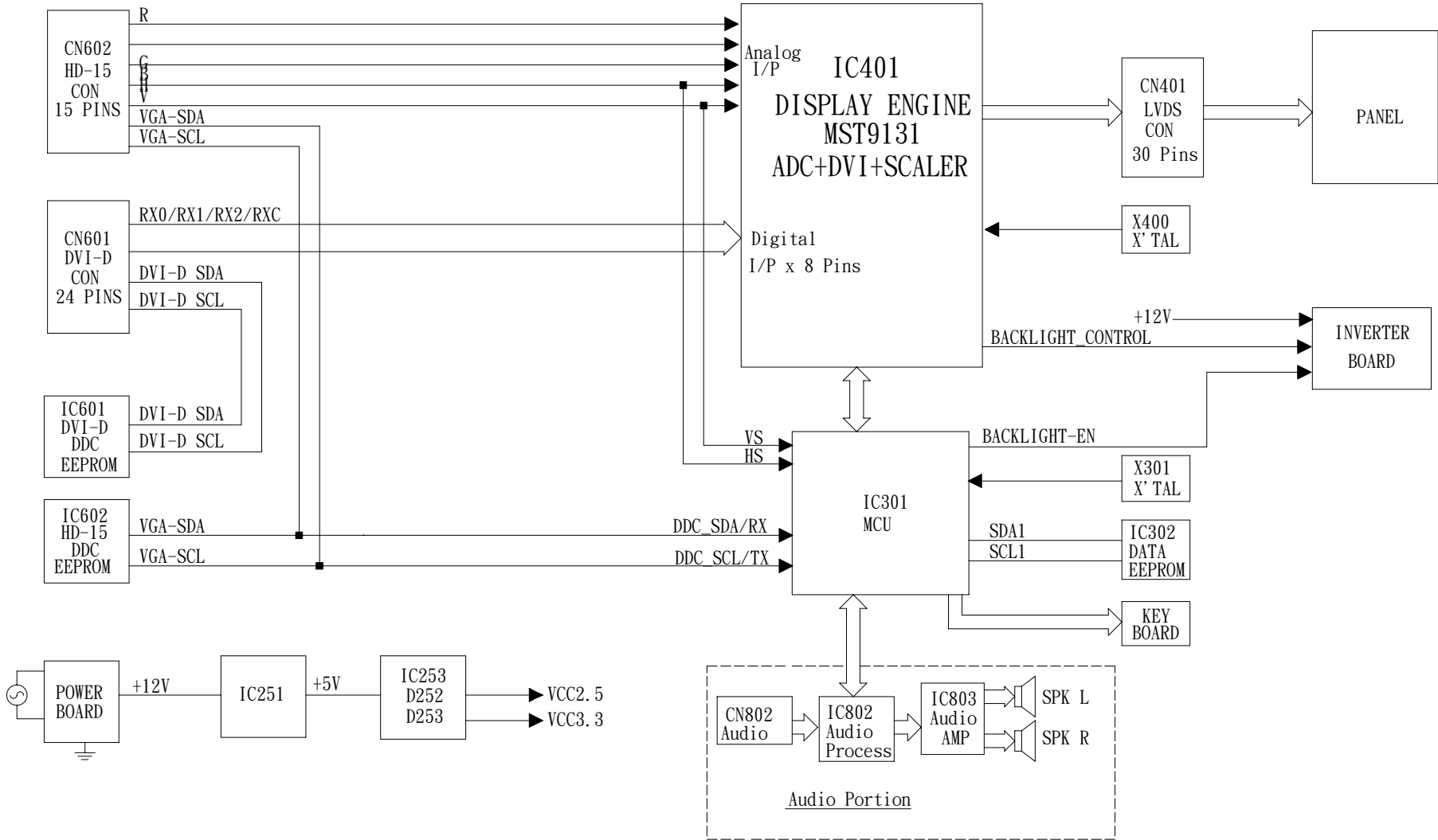


Packing Assembly

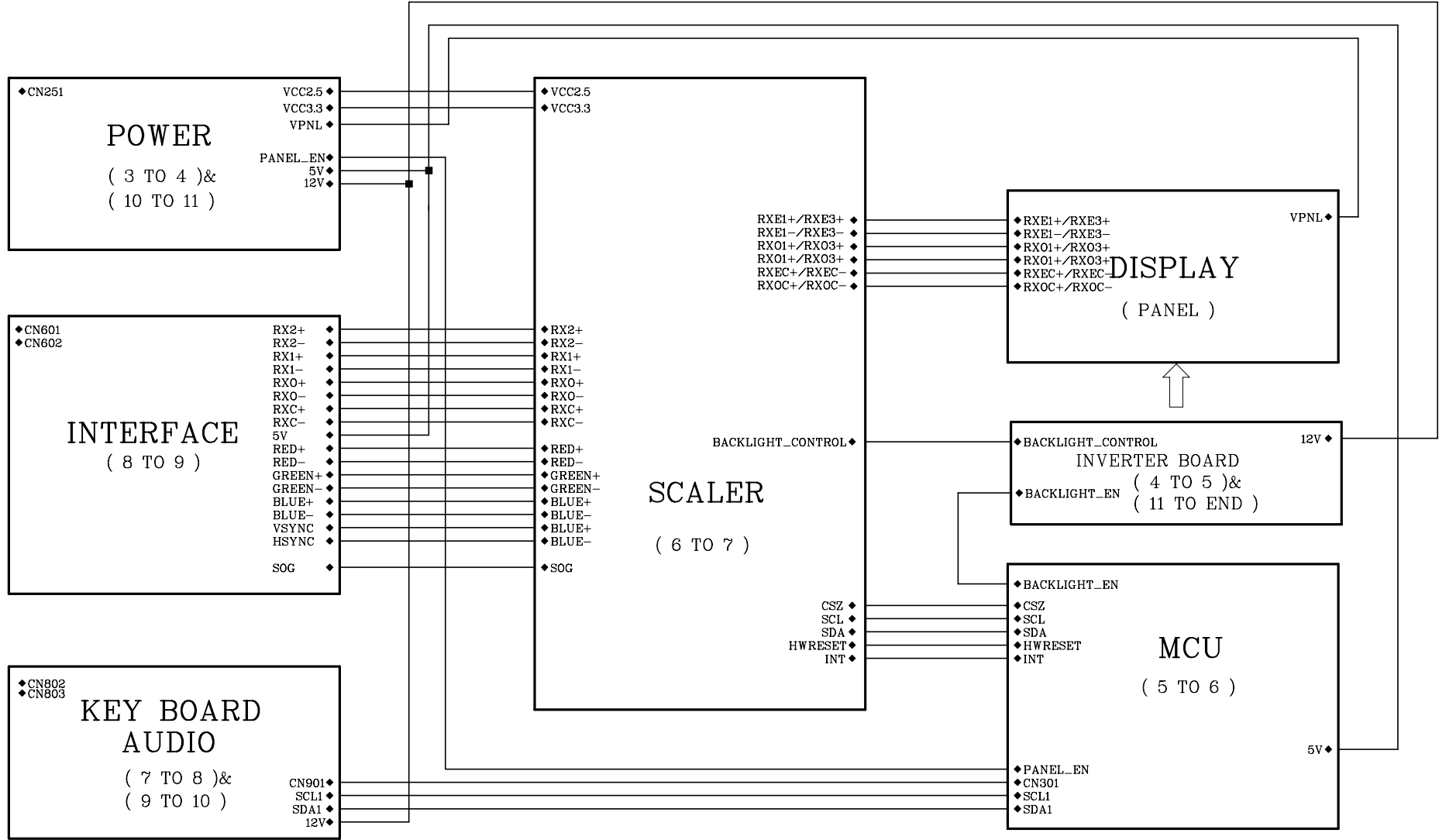


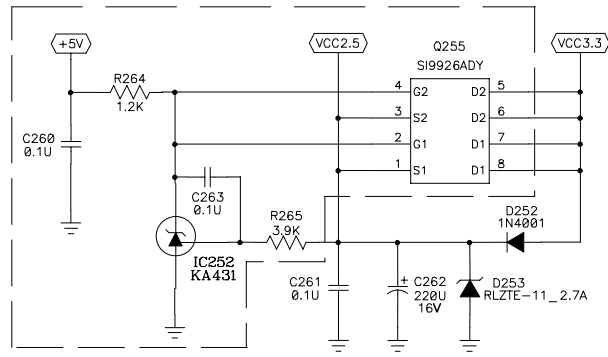
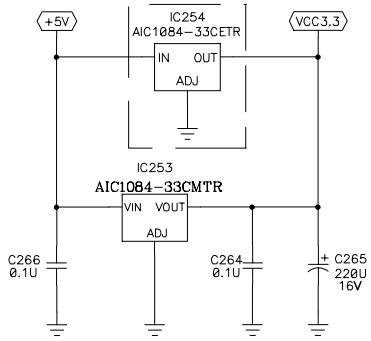
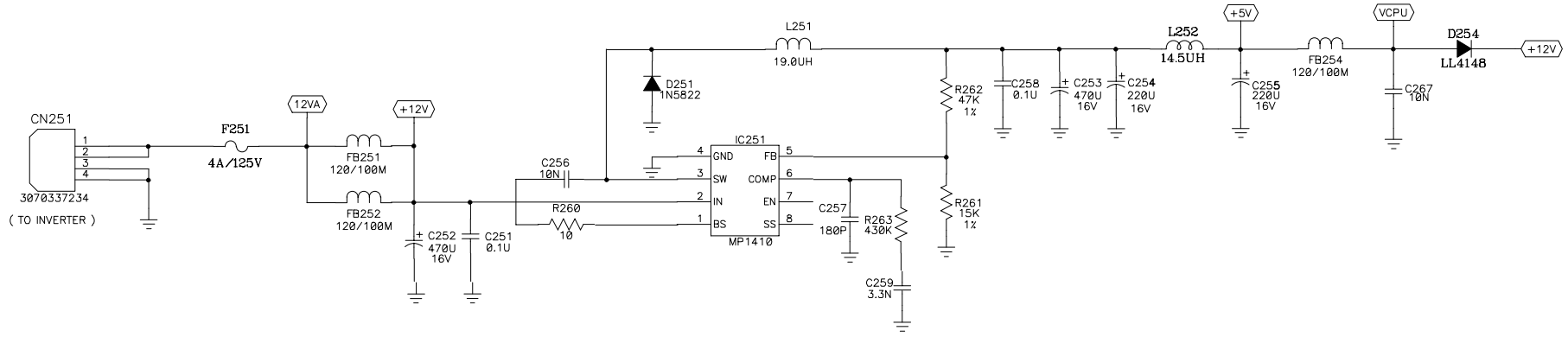
(Air Shipping) One Pallet could put 2*4*2=16 carton

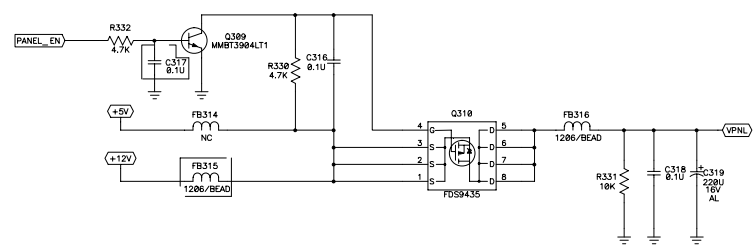
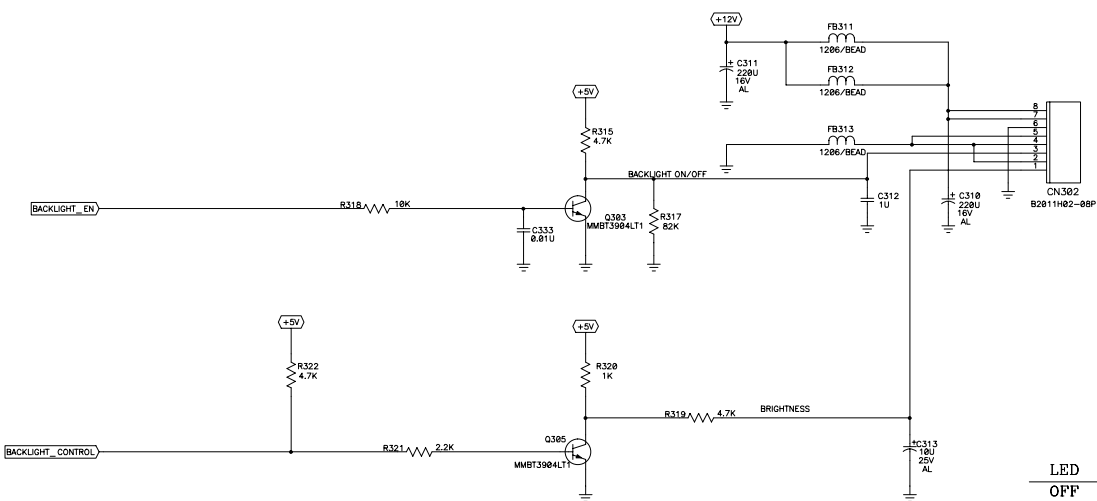
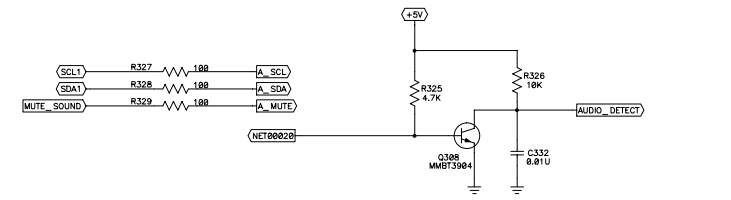
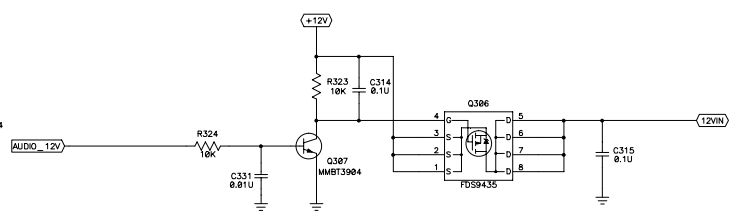
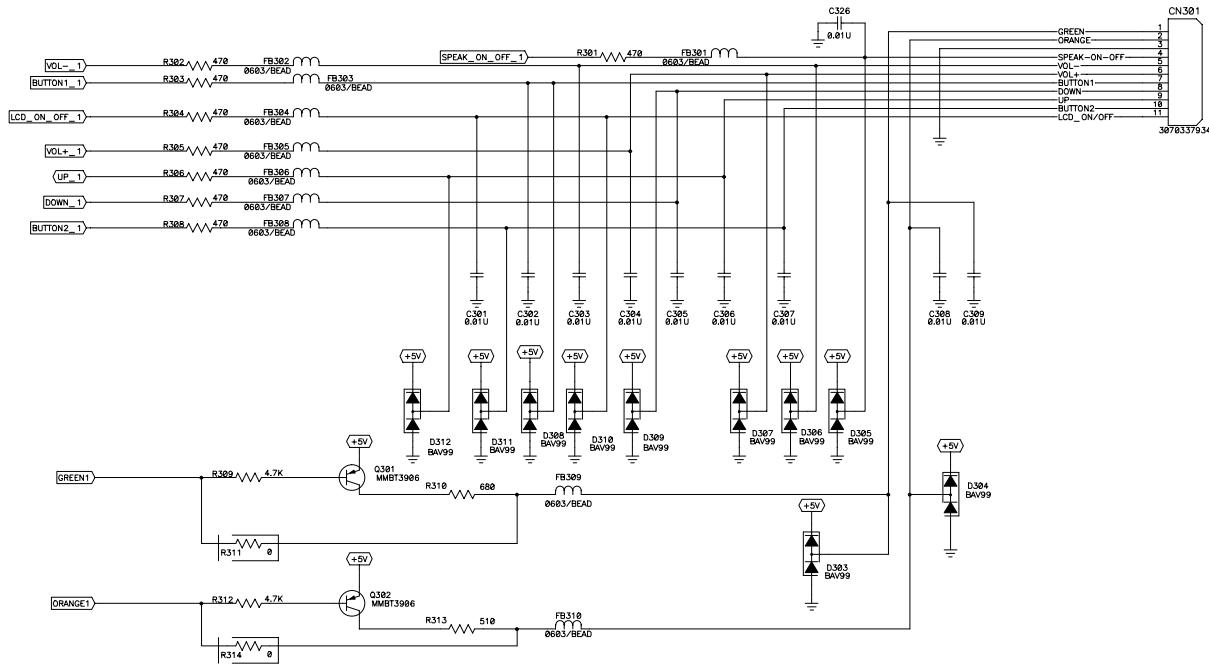
VG910 LCD MONITOR BLOCK DIAGRAM



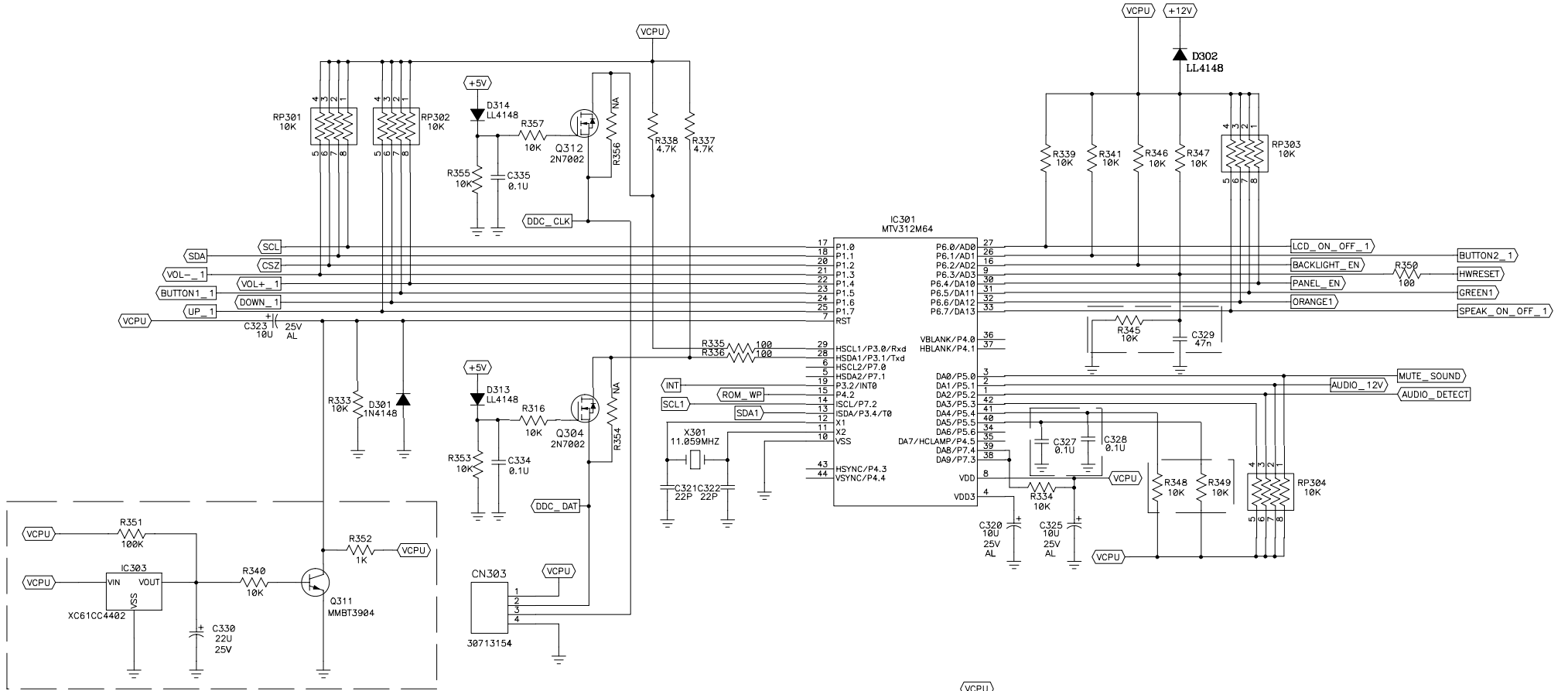
VG910



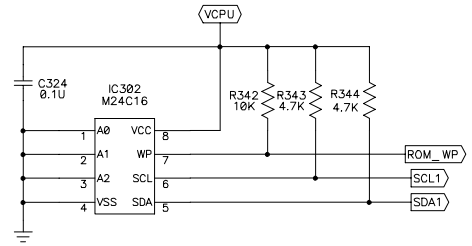


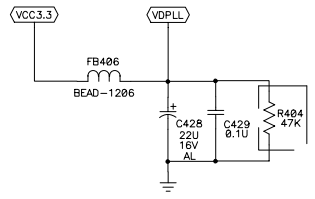
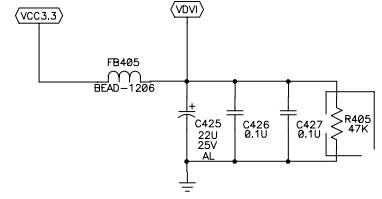
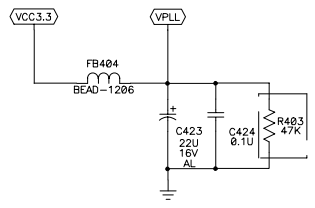
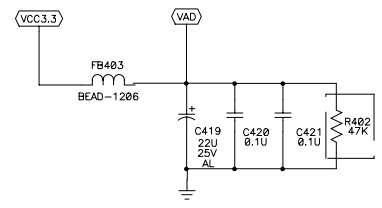
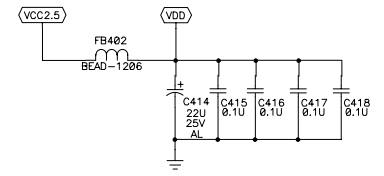
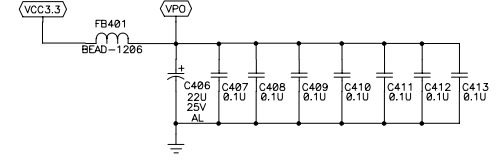
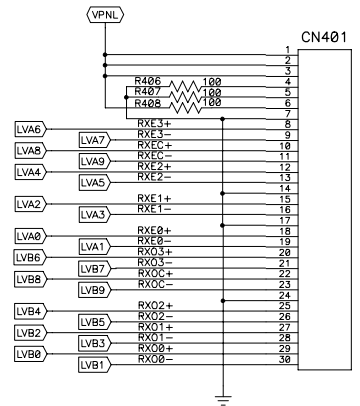
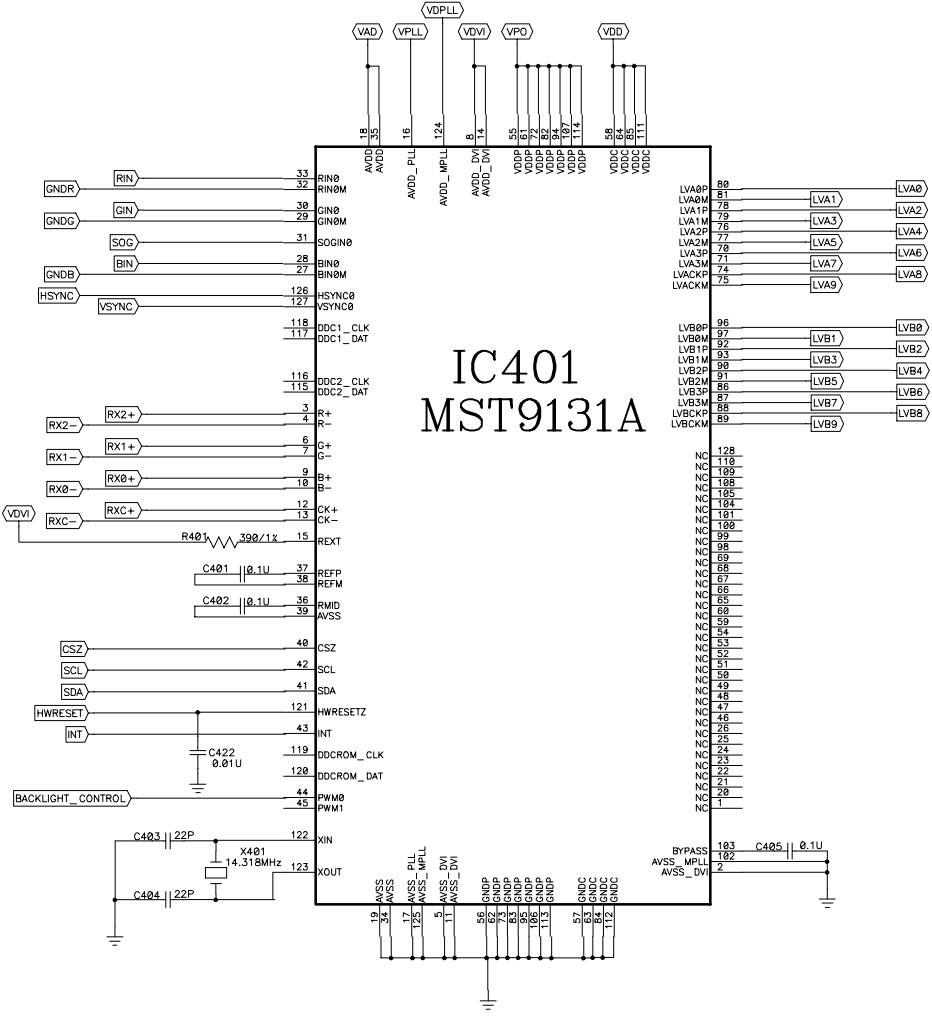


LED	Orange_1	Green_1
OFF	1	1
Green	1	0
Amber	0	0

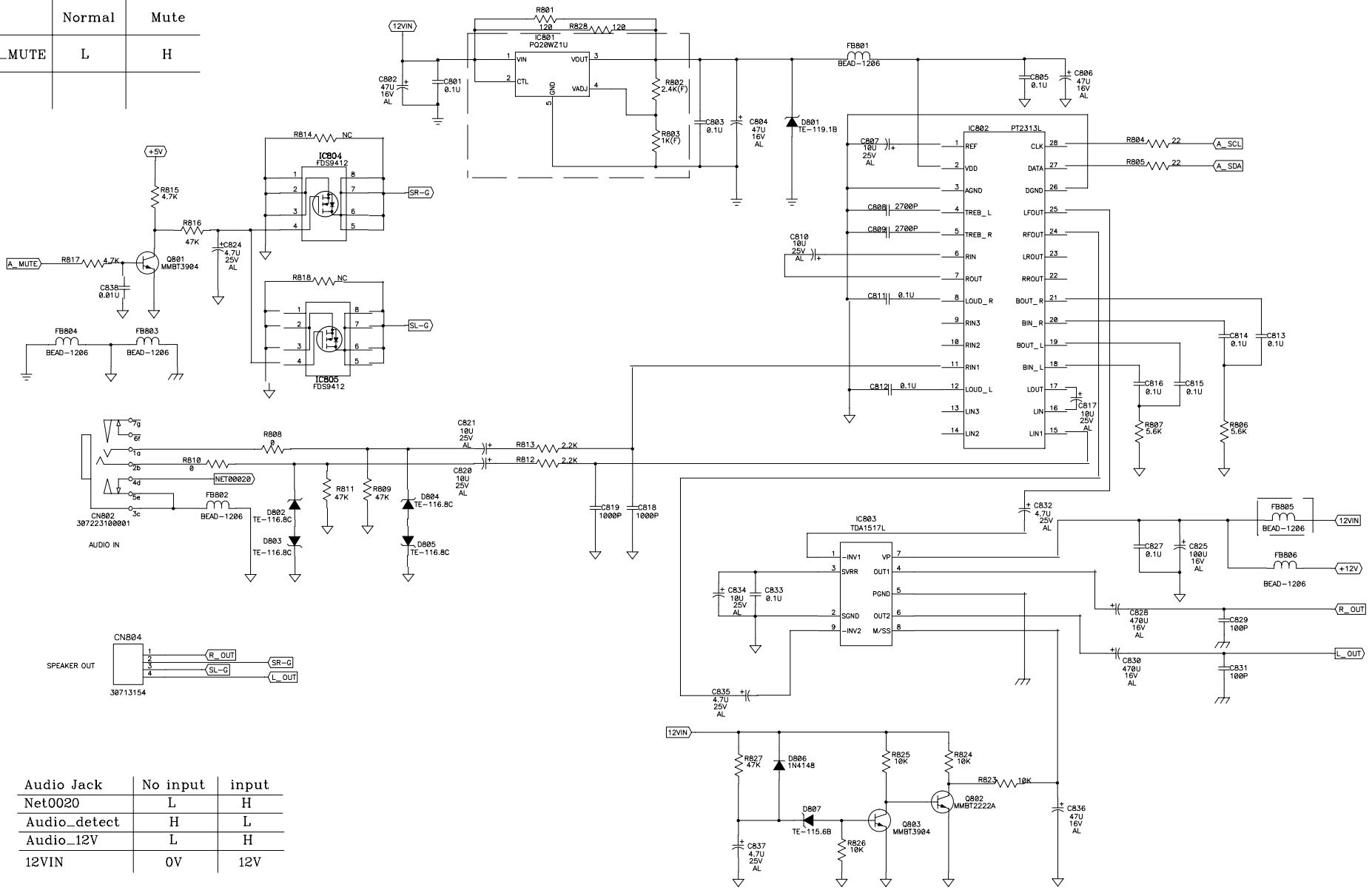


Audio DETECT PIN5 I/P HI → AUDIO 12V PIN6 O/P HI
 Audio DETECT PIN5 I/P LOW → AUDIO 12V PIN6 O/P LOW
 SW OFF → AUDIO 12V PIN6 O/P LOW

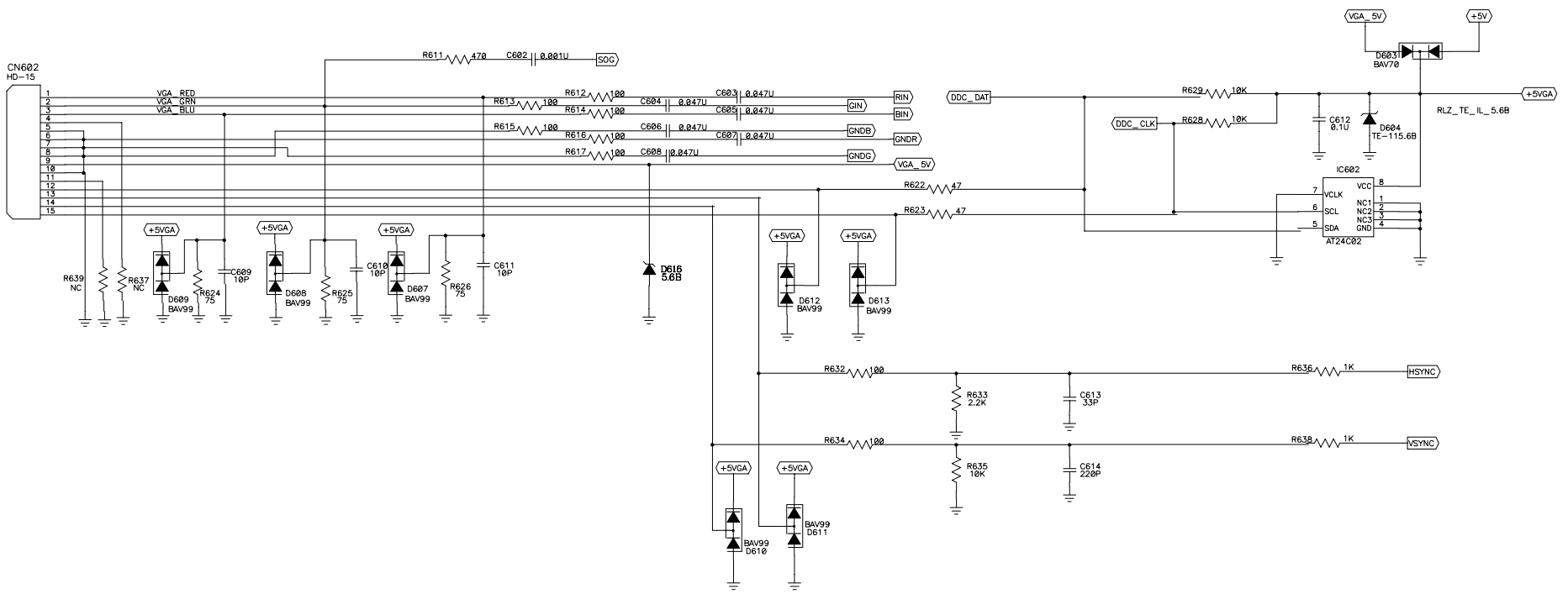
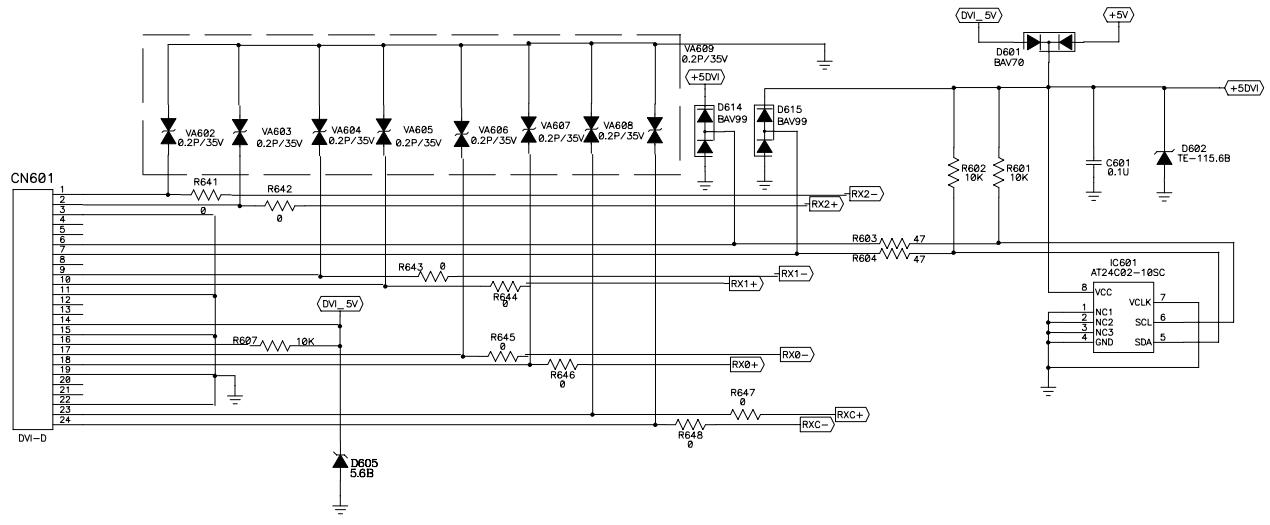


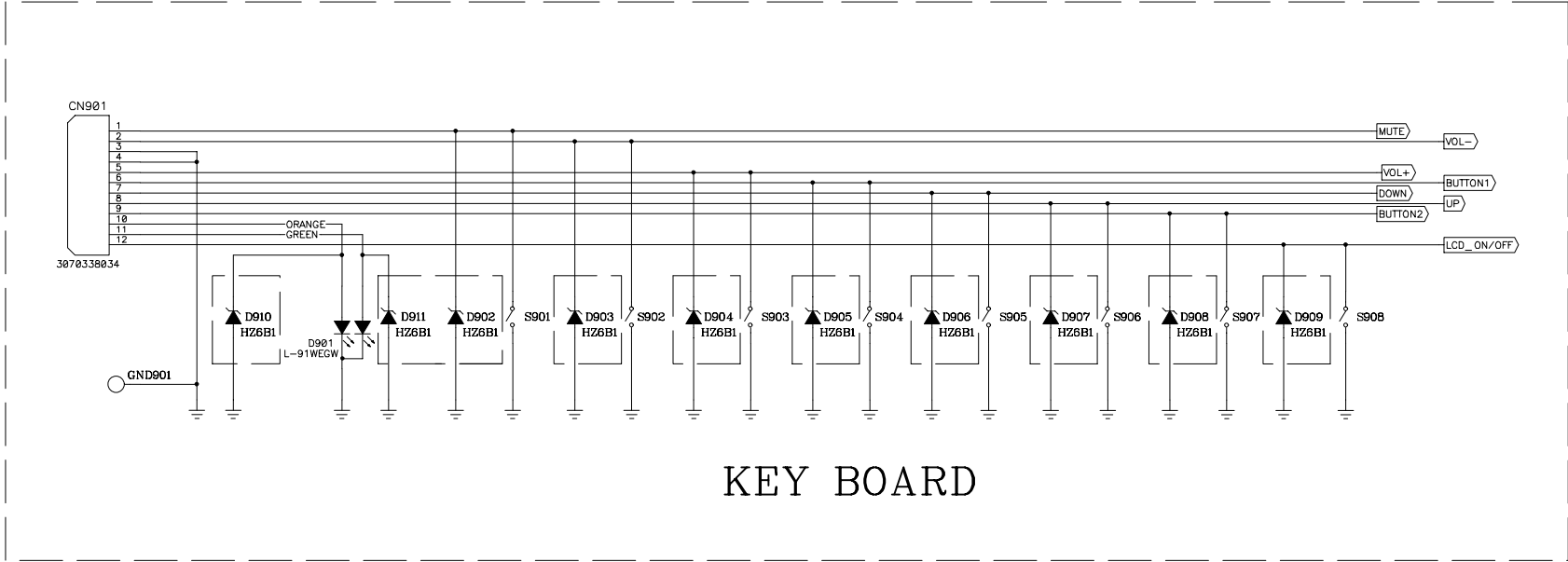


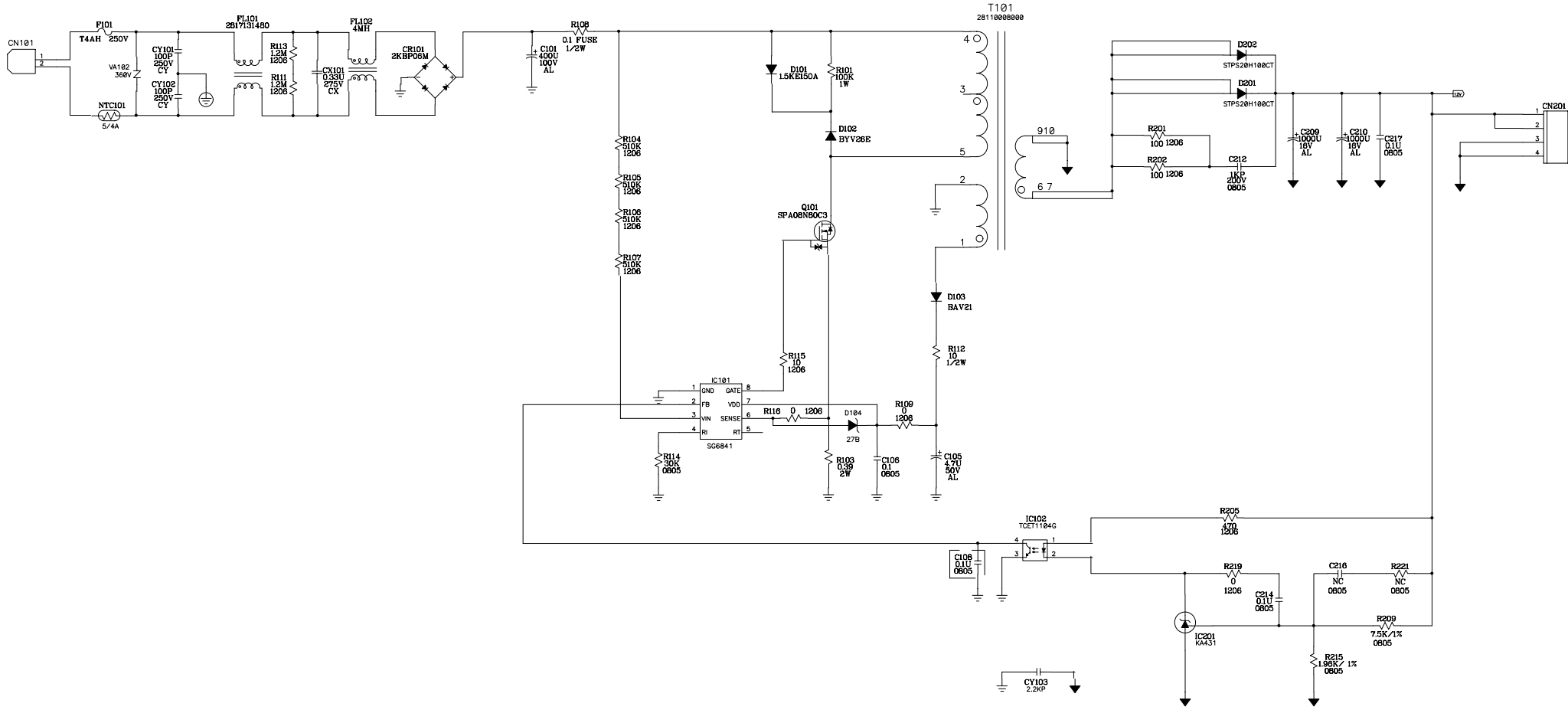
	Normal	Mute
A_MUTE	L	H

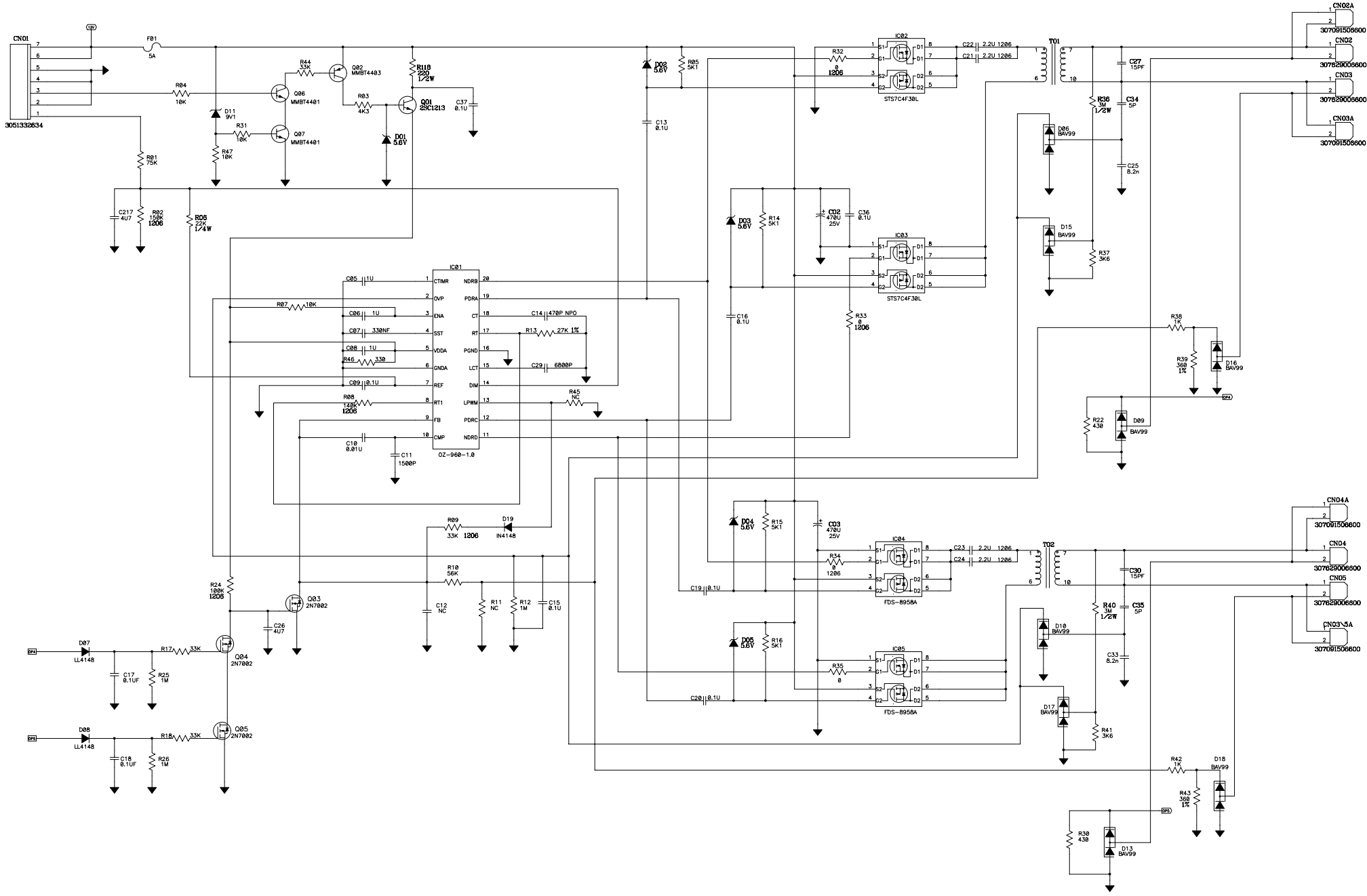


Audio Jack	No input	input
Net0020	L	H
Audio_detect	H	L
Audio_12V	L	H
12VIN	0V	12V



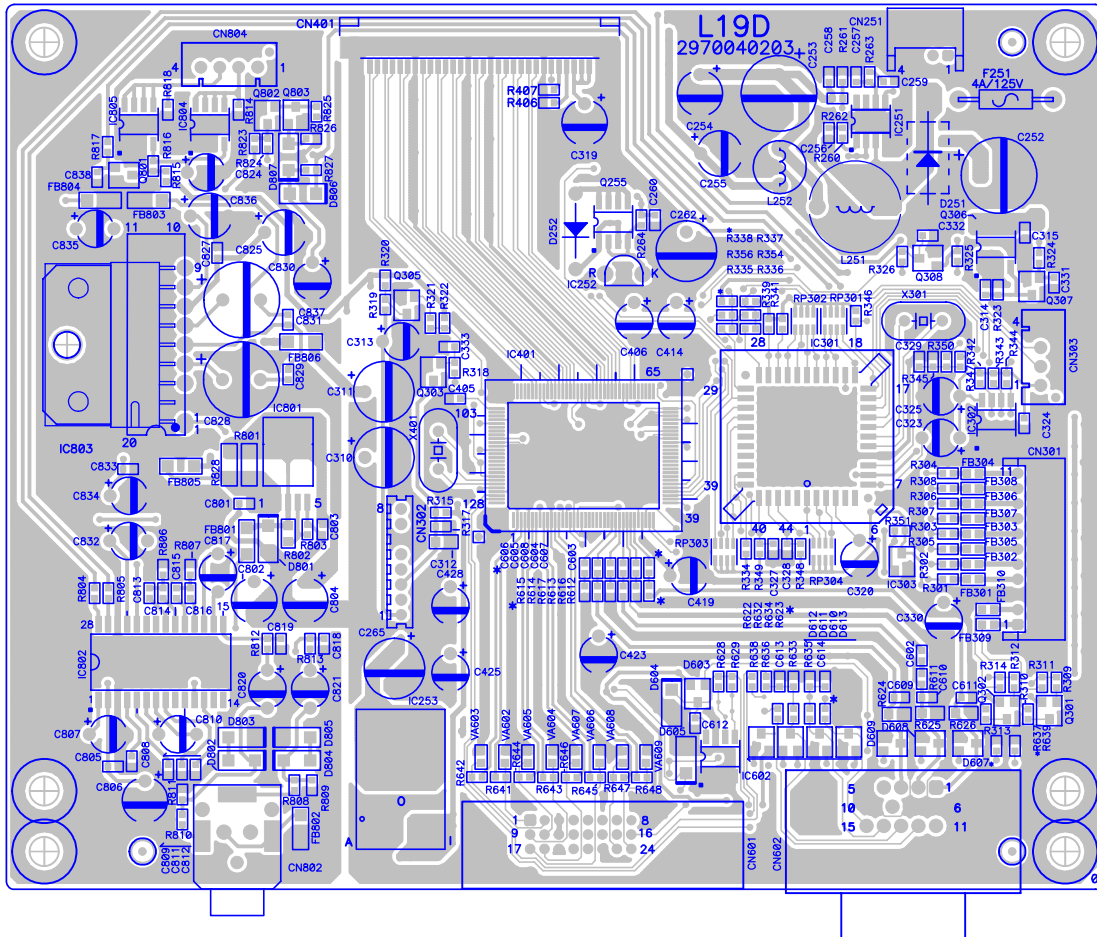




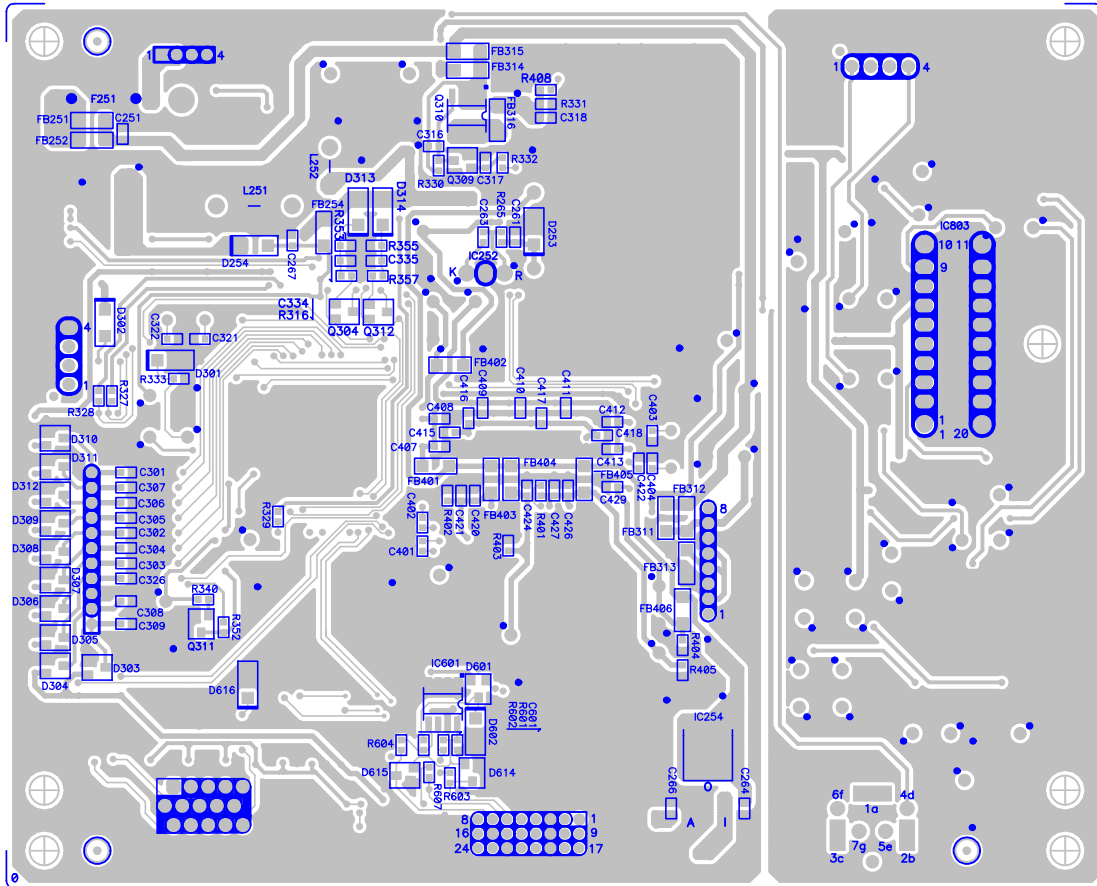


11. PCB Layout Diagrams

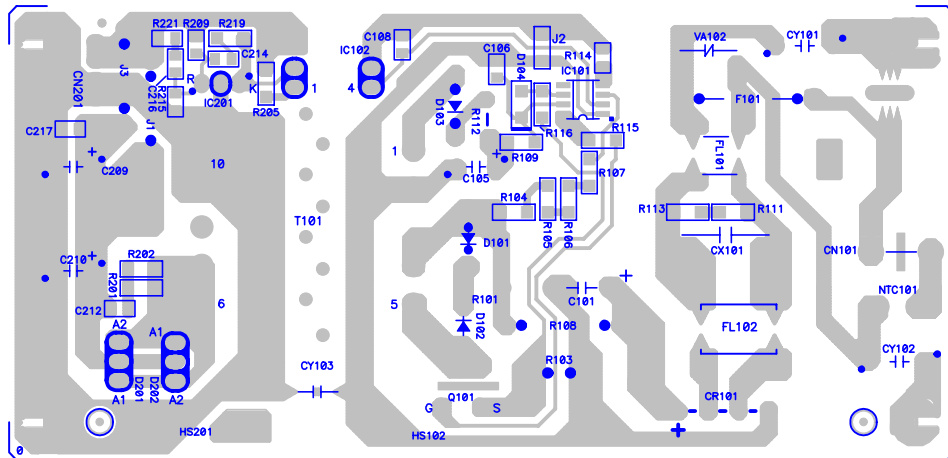
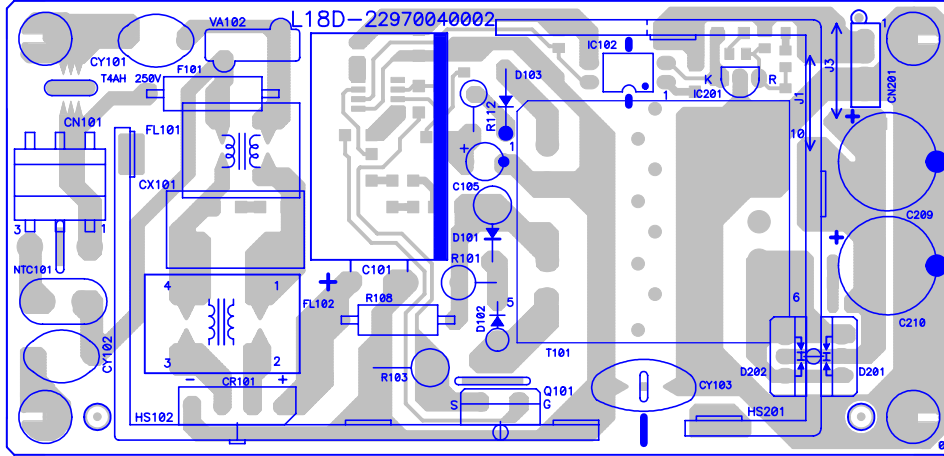
Main Board



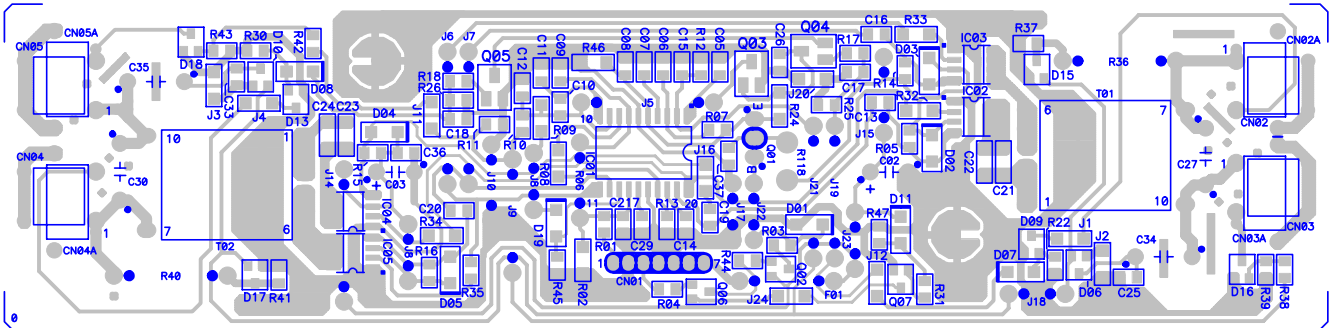
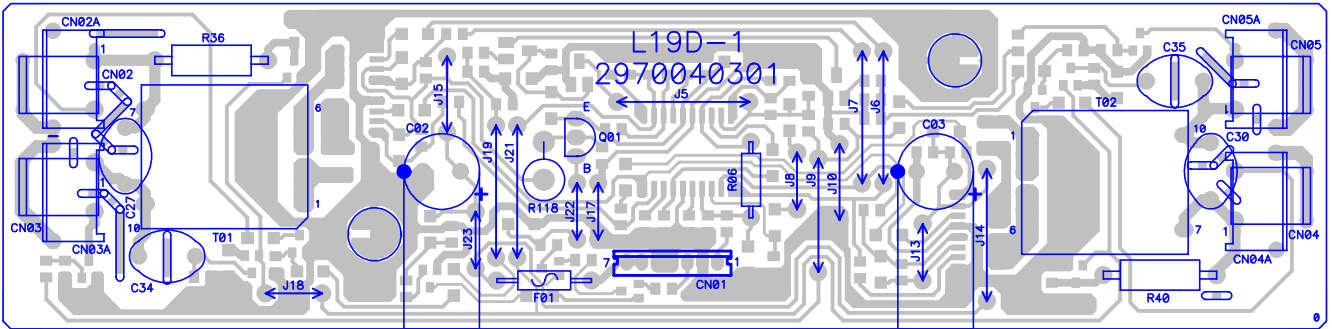
Main Board



Power Board



Control Board



Reader's Response

Dear Readers:

Thank you in advance for your feedback on our Service Manual, which allows continuous improvement of our products. We would appreciate your completion of the Assessment Matrix below, for return to ViewSonic Corporation.

Assessment

A. What do you think about the content after reading **VG910s/b** Service Manual?

<i>Unit</i>	<i>Excellent</i>	<i>Good</i>	<i>Fair</i>	<i>Bad</i>
1. Precautions And Safety Notices				
2. Specification				
3. Front Panel Function Control Description				
4. Circuit Description				
5. Adjusting Procedure				
6. Trouble Shooting Flow Chart				
7. Recommended Spare Parts List				
8. Exploded Diagram and Spare Parts List				
9. Block Diagram				
10. Schematic Diagrams				
11. PCB Layout Diagrams				

B. Are you satisfied with the **VG910s/b** service manual?

<i>Item</i>	<i>Excellent</i>	<i>Good</i>	<i>Fair</i>	<i>Bad</i>
1. Service Manual Content				
2. Service Manual Layout				
3. The form and listing				

C. Do you have any other opinion or suggestion about this service manual?

Reader's basic data:

Name:		Title:	
Company:			
Add.:			
Tel:		Fax:	
E-mail:			

After completing this form, please return it to ViewSonic Quality Assurance in the USA at facsimile 1-909-839-7943. You may also e-mail any suggestions to the Director, Quality Systems & Processes (marc.maupin@viewsonic.com)