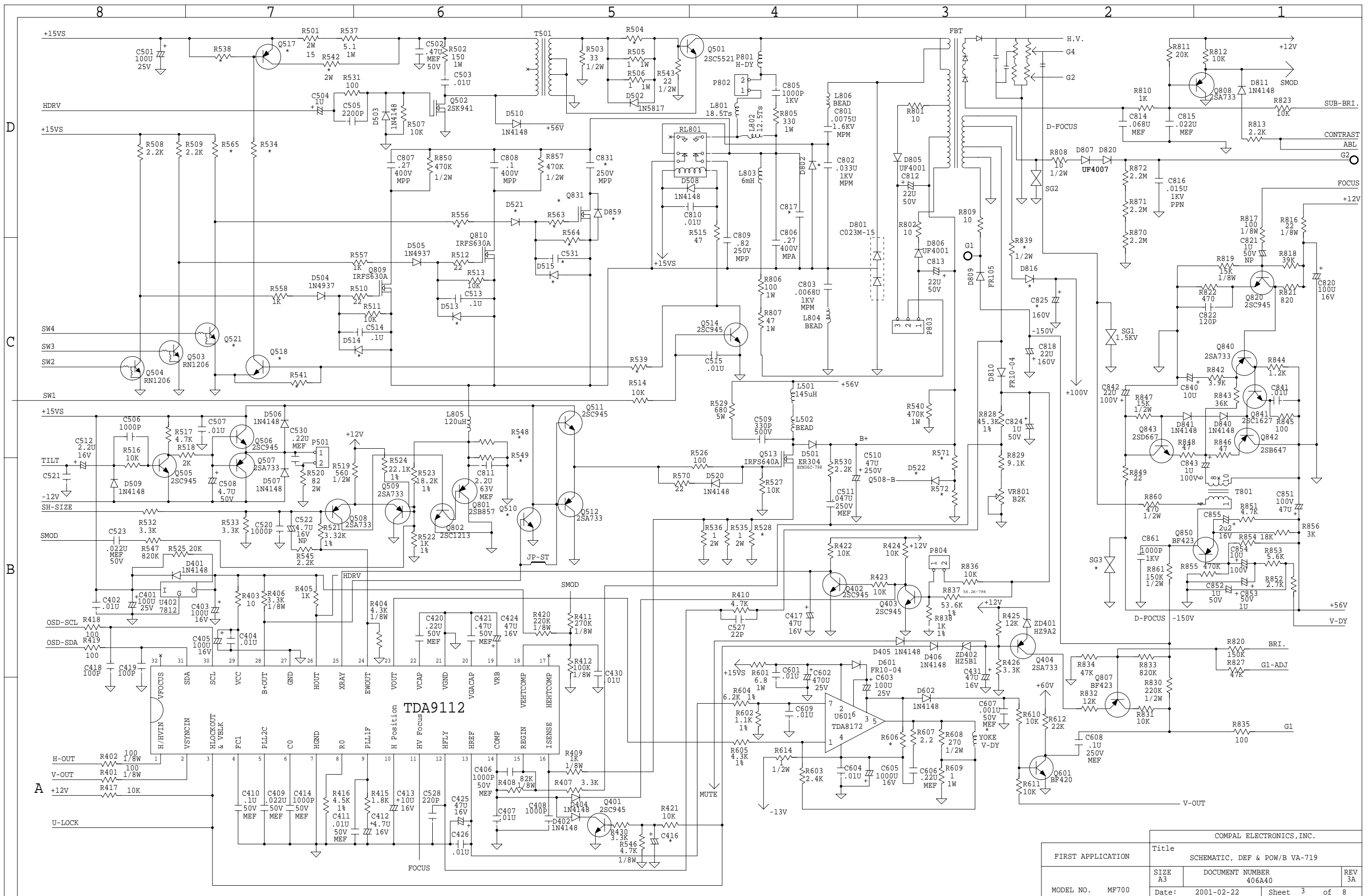


COMPAL ELECTRONICS, INC.			
FIRST APPLICATION	Title SCHEMATIC, DEF & POW/B VA-719		
MODEL NO. MV700	SIZE A3	DOCUMENT NUMBER 406A40	REV 3A
	Date: 2001-02-22	Sheet 2	of 8

FOR 456A40-01
446A40-01



FOR 456A40-11
446A40-11

COMPAL ELECTRONICS, INC.			
FIRST APPLICATION	Title SCHEMATIC, DEF & POW/B VA-719		
MODEL NO. MF700	SIZE A3	DOCUMENT NUMBER 406A40	REV 3A
	Date: 2001-02-22	Sheet 3	of 8

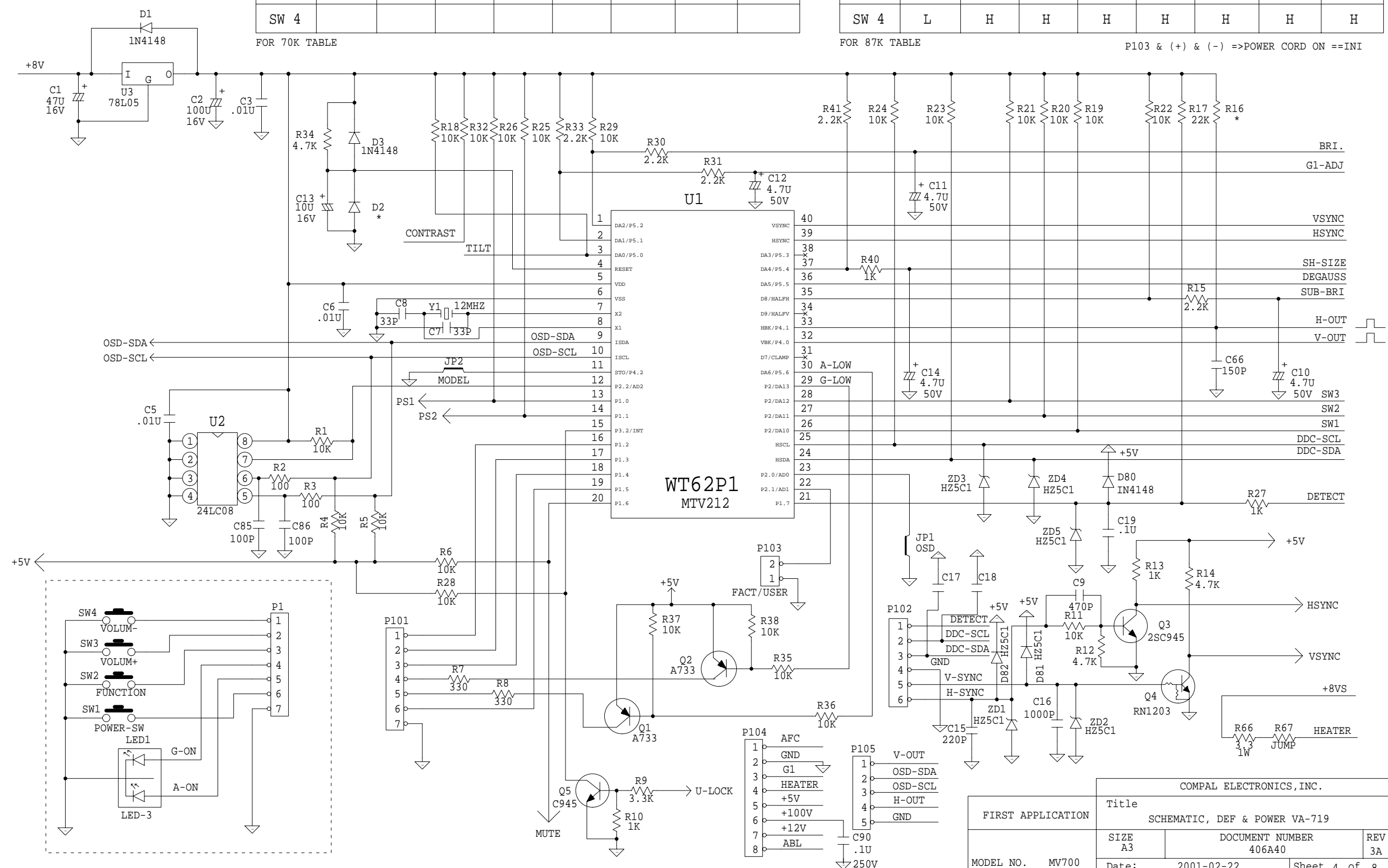
	< 33K	33~35K	36~40K	41~51K	52~57K	58~65K	< 70K
SW 1	L	L	L	H	H	H	H
SW 2	L	H	H	L	L	H	H
SW 3	L	L	H	L	H	L	H
SW 4							

FOR 70K TABLE

	34K<	34~40K	40~45K	45~51K	51~58K	58~61K	62~75K	>75K
SW 1	L	L	L	L	H	H	H	H
SW 2	L	L	L	H	L	H	L	H
SW 3	L	L	H	H	L	L	H	H
SW 4	L	H	H	H	H	H	H	H

FOR 87K TABLE

P103 & (+) & (-) =>POWER CORD ON ==INI



OSD-SDA
OSD-SCL

CONTRAST
TILT

WT62P1
MTV212

H-OUT
V-OUT

DETECT

HSYNC

VSYNC

+8VS

HEATER

MUTE
U-LOCK

P102	1	DETECT
	2	DDC-SCL
	3	DDC-SDA
	4	GND
	5	V-SYNC
	6	H-SYNC

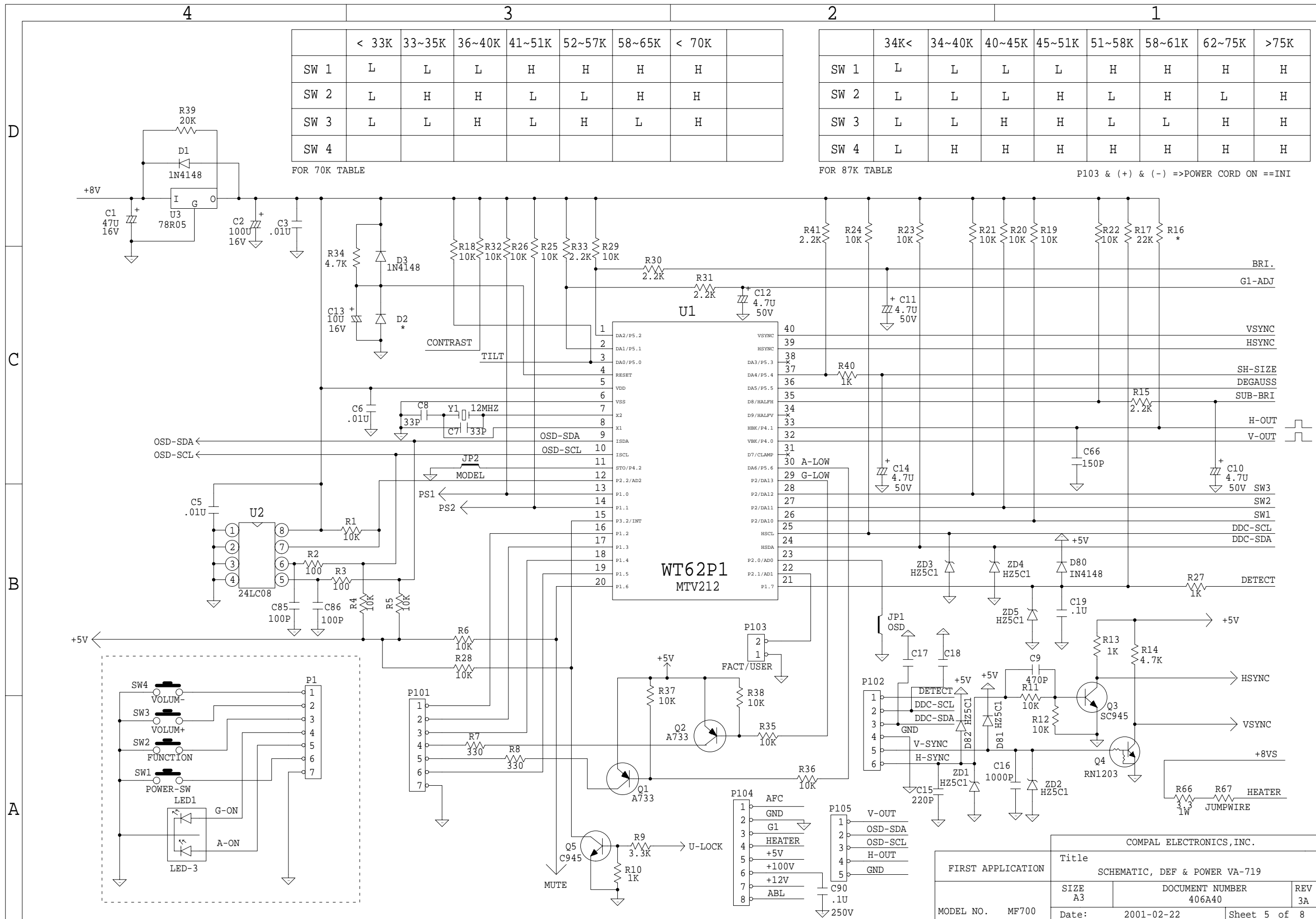
P104	1	AFC
	2	GND
	3	G1
	4	HEATER
	5	+5V
	6	+100V
	7	+12V
	8	ABL

P105	1	V-OUT
	2	OSD-SDA
	3	OSD-SCL
	4	H-OUT
	5	GND

MODEL NO.	MV700
-----------	-------

COMPAL ELECTRONICS, INC.		
Title SCHEMATIC, DEF & POWER VA-719		
SIZE A3	DOCUMENT NUMBER 406A40	REV 3A
Date:	2001-02-22	Sheet 4 of 8

FOR 456A40-01
446A40-01



	< 33K	33~35K	36~40K	41~51K	52~57K	58~65K	< 70K	
SW 1	L	L	L	H	H	H	H	
SW 2	L	H	H	L	L	H	H	
SW 3	L	L	H	L	H	L	H	
SW 4								

FOR 70K TABLE

	34K<	34~40K	40~45K	45~51K	51~58K	58~61K	62~75K	>75K
SW 1	L	L	L	L	H	H	H	H
SW 2	L	L	L	H	L	H	L	H
SW 3	L	L	H	H	L	L	H	H
SW 4	L	H	H	H	H	H	H	H

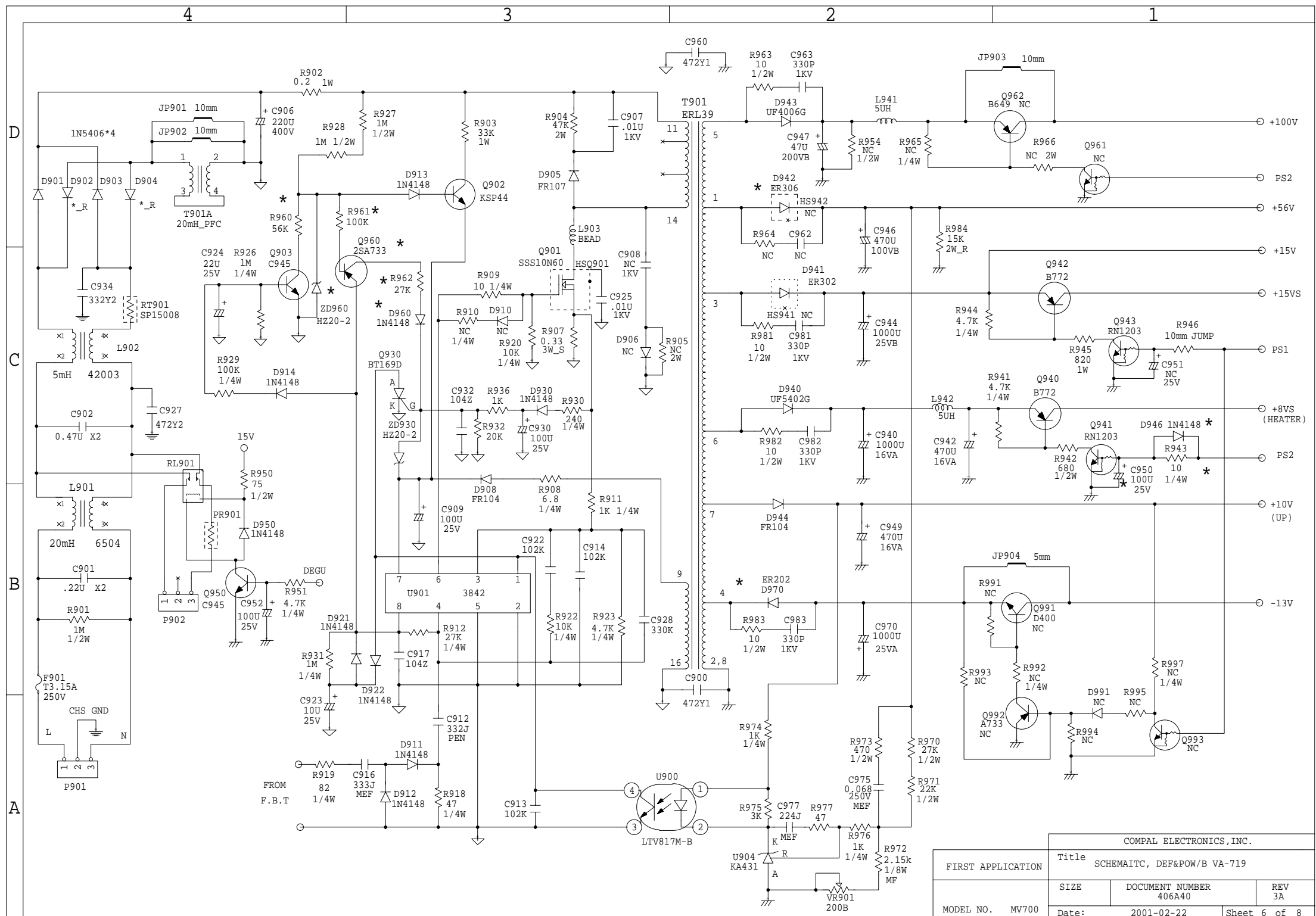
FOR 87K TABLE

P103 & (+) & (-) =>POWER CORD ON ==INI

COMPAL ELECTRONICS, INC.			
FIRST APPLICATION	Title SCHEMATIC, DEF & POWER VA-719		
MODEL NO. MF700	SIZE A3	DOCUMENT NUMBER 406A40	REV 3A
	Date:	2001-02-22	Sheet 5 of 8

FOR 456A40-11
446A40-11

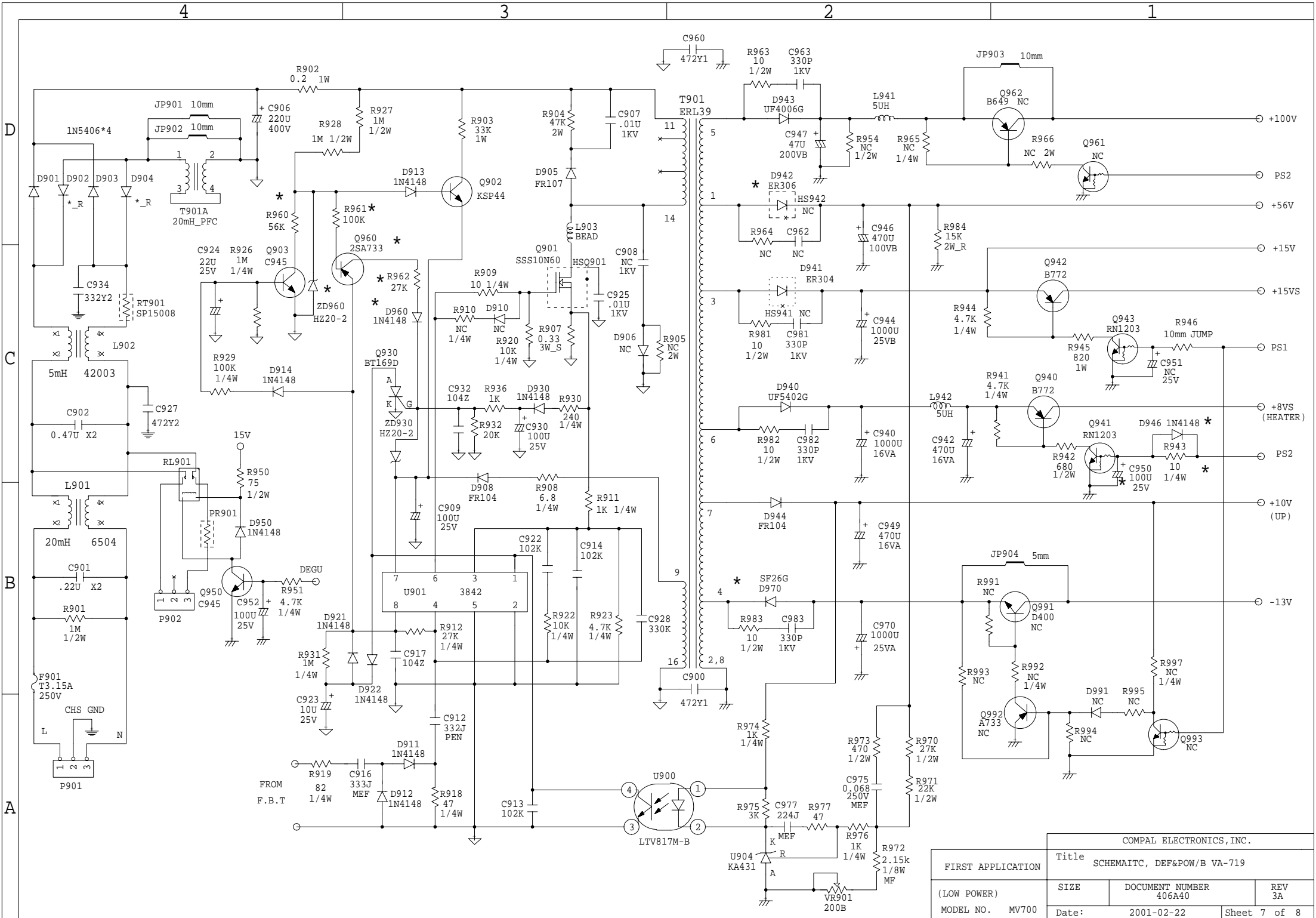
DESIGN LOG & MODIFY NOTES	
Rev I -> J	NOTES DATE: OCT-18-2000
FOR EN NO:V20A120 MODIFY THE SCH	
ADD BROWN OUT CKT	
ADD DIODE RATING	



FOR X61A40-01
X62A40-01

COMPAL ELECTRONICS, INC.		
FIRST APPLICATION	Title SCHEMATIC, DEF&POW/B VA-719	
MODEL NO. MV700	SIZE	DOCUMENT NUMBER
	Date:	406A40
		REV 3A
		2001-02-22
		Sheet 6 of 8

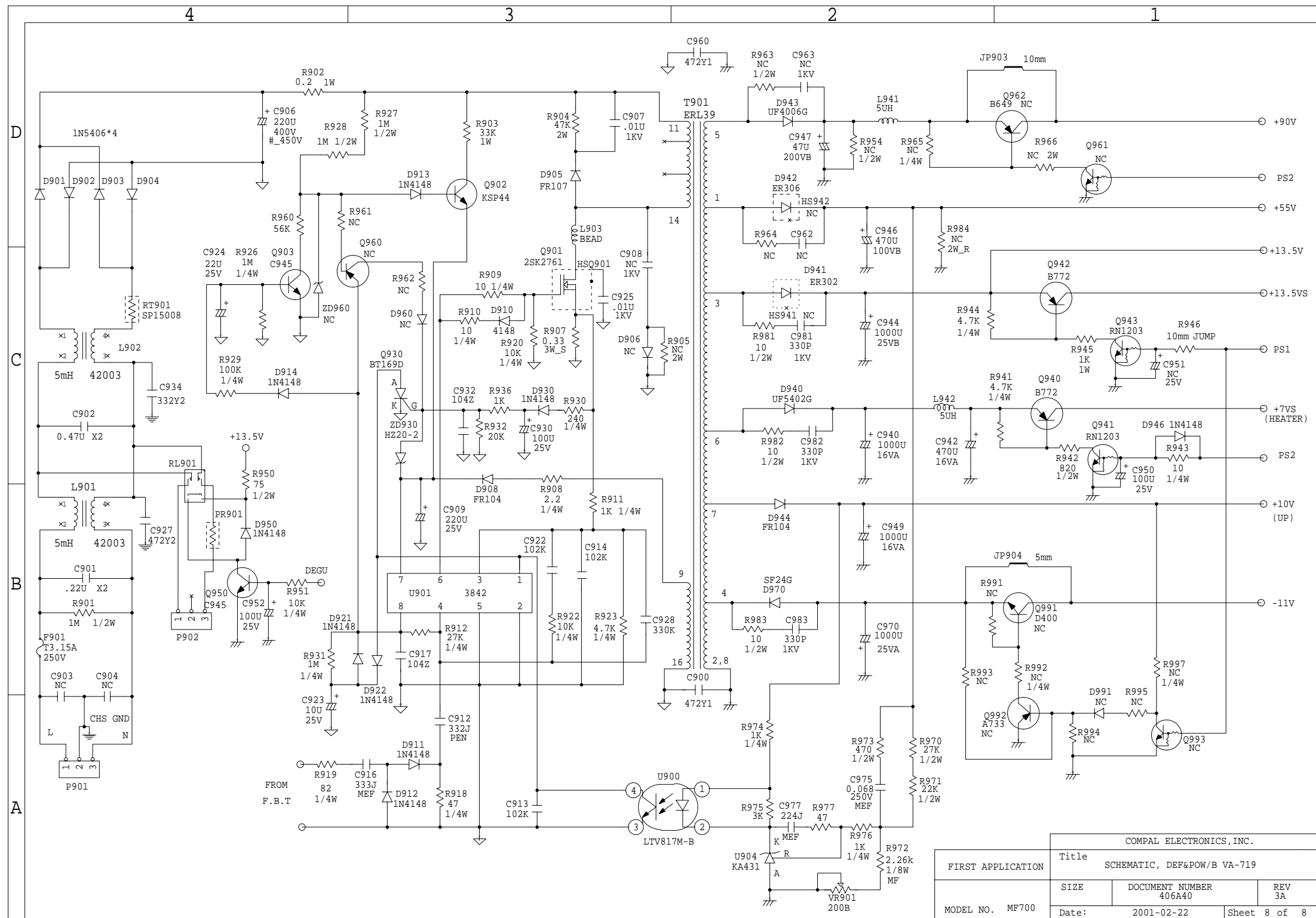
DESIGN LOG & MODIFY NOTES	
Rev 1C -> 2A	NOTES DATE: FER-22-2001



FOR X61A40-01
X62A40-01

COMPAL ELECTRONICS, INC.			
FIRST APPLICATION	Title SCHEMATIC, DEF&POW/B VA-719		
(LOW POWER)	SIZE	DOCUMENT NUMBER	REV
MODEL NO. MV700	Date:	406A40	3A
		2001-02-22	Sheet 7 of 8

DESIGN LOG & MODIFY NOTES	
Rev 1C -> 2A	NOTES DATE: FER-22-2001
FOR ECO NO: V1120180 CHANGE	
OPEN NEW X62A, X61A FOR MF700A	
MODIFY : Q901, D941, R984, L901, C949, D970, C981, R981, C983, R983	
C909, R908, C906	
Modify C927/C934 location, add C903, C904 for EMI Dep. modify	



FOR X61A40-11 # FOR X62A40-12
X62A40-11

COMPAL ELECTRONICS, INC.			
FIRST APPLICATION	Title SCHEMATIC, DEF&POW/B VA-719		
MODEL NO. MF700	SIZE	DOCUMENT NUMBER 406A40	REV 3A
	Date:	2001-02-22	Sheet 8 of 8