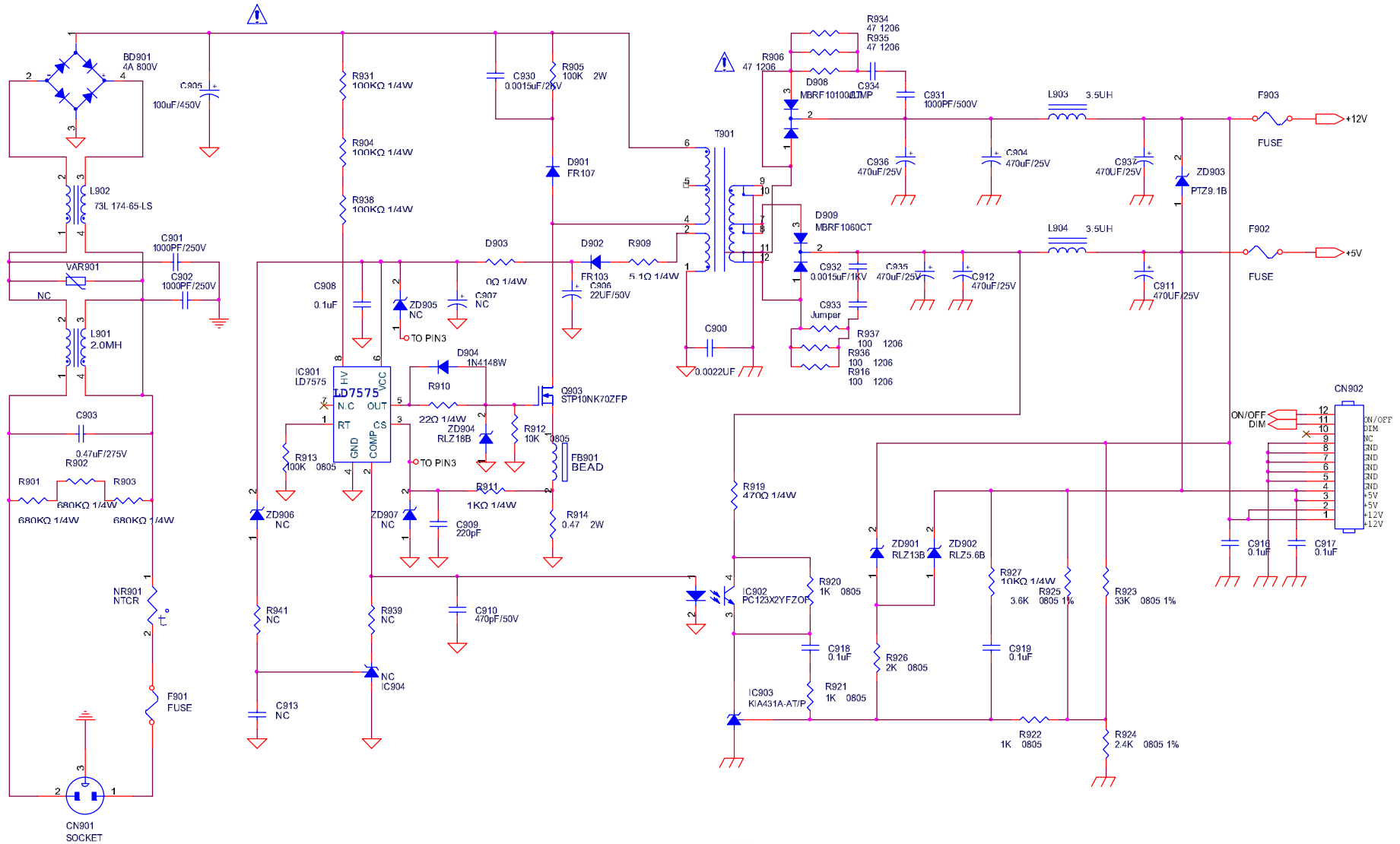


19"W LCD Color Monitor

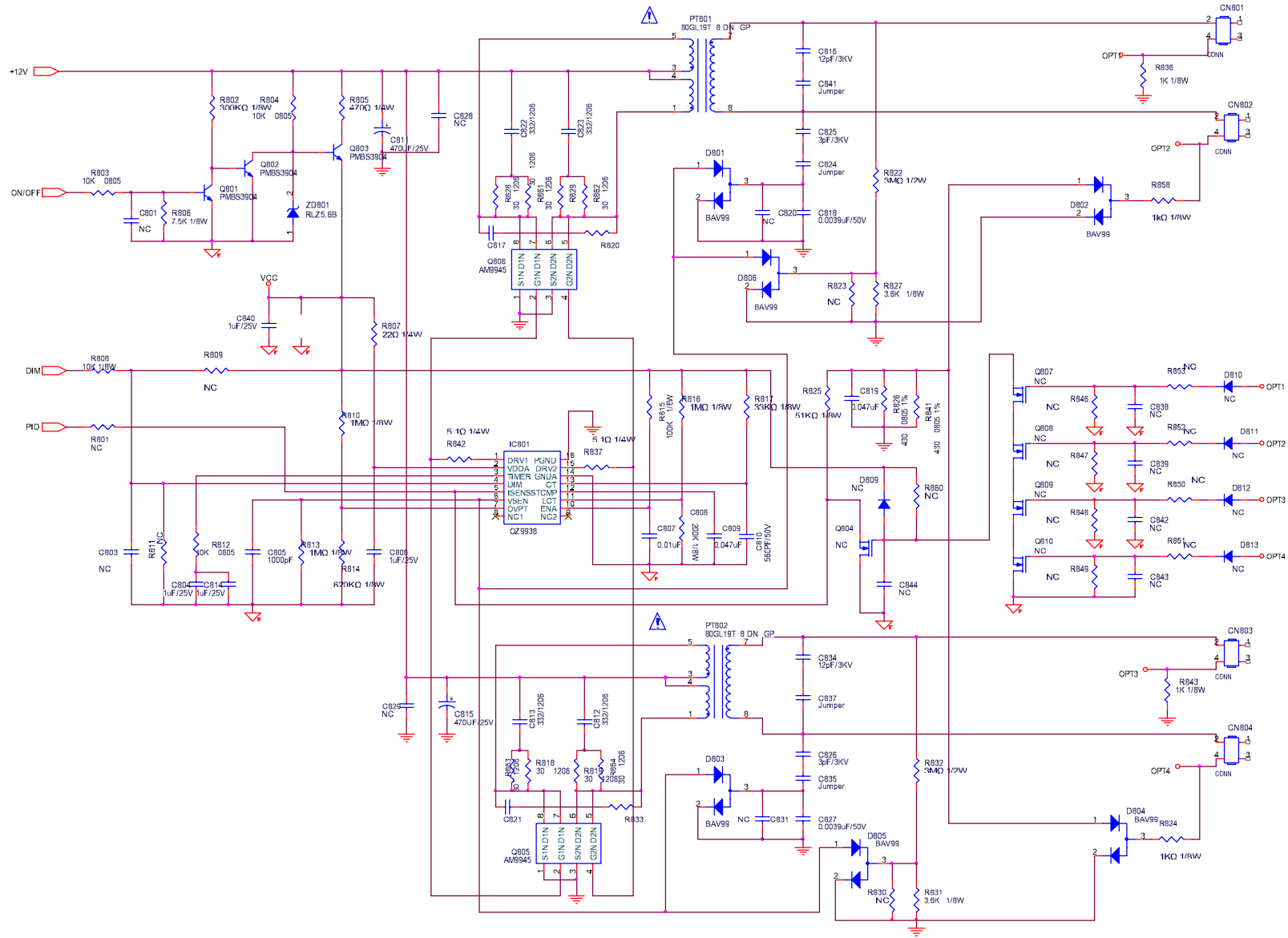
HCL HCM9LWAT11

6.2 Power Board

715G1899 1 HP



TPV (Top Victory Electronics Co., Ltd.)	OEM MODEL	Size	B
經 隔 瓜 網 廠	TPV MODEL	Rev	1.0
Key Component: G2 adapter	PCB NAME: 715G1899-1-HP	稱 參	
Date: Monday, September 24, 2007	Sheet: 2 of 3		



TPV (Top Victory Electronics Co., Ltd.)	OEM MODEL		Sum	Custom
結構圖繪	TPV MODEL		Rev	1.0
Key Component	03.inverter	PCB NAME	715G1899-1-HP	
Date	Monday, September 24, 2007	Sheet	3 of 3	許華