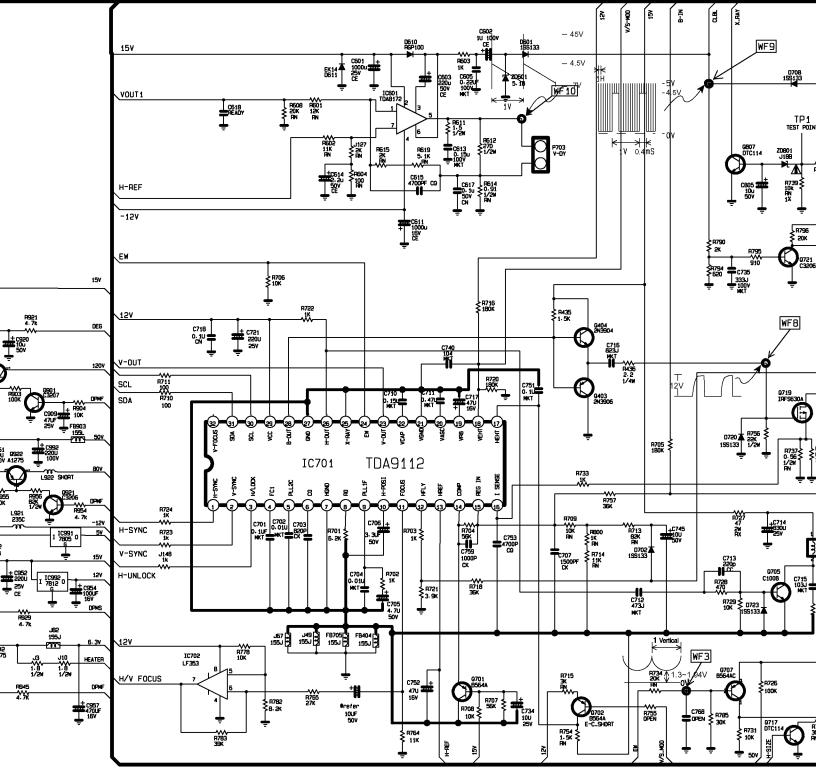
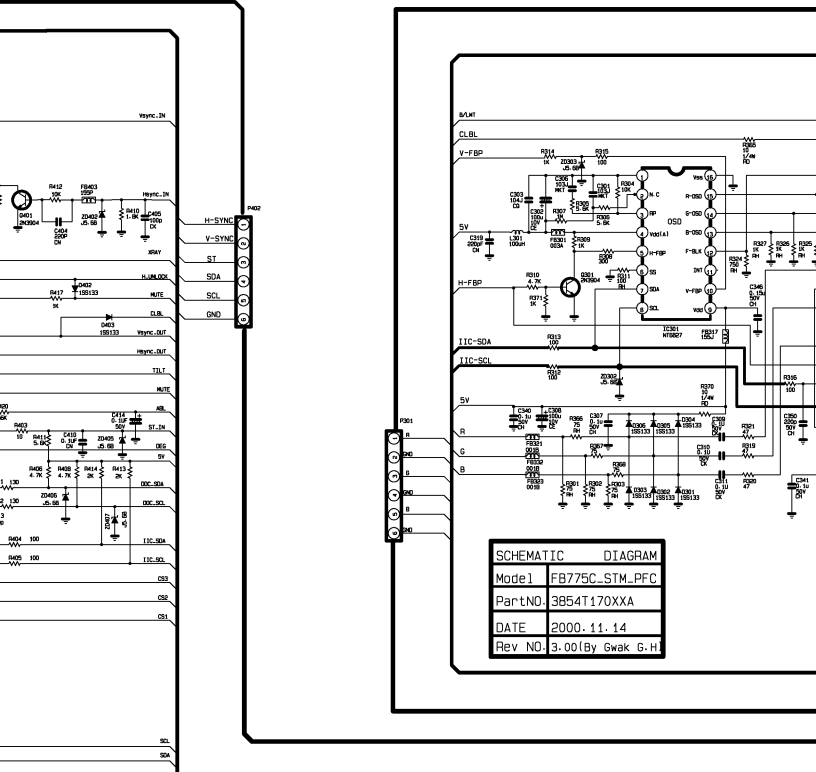
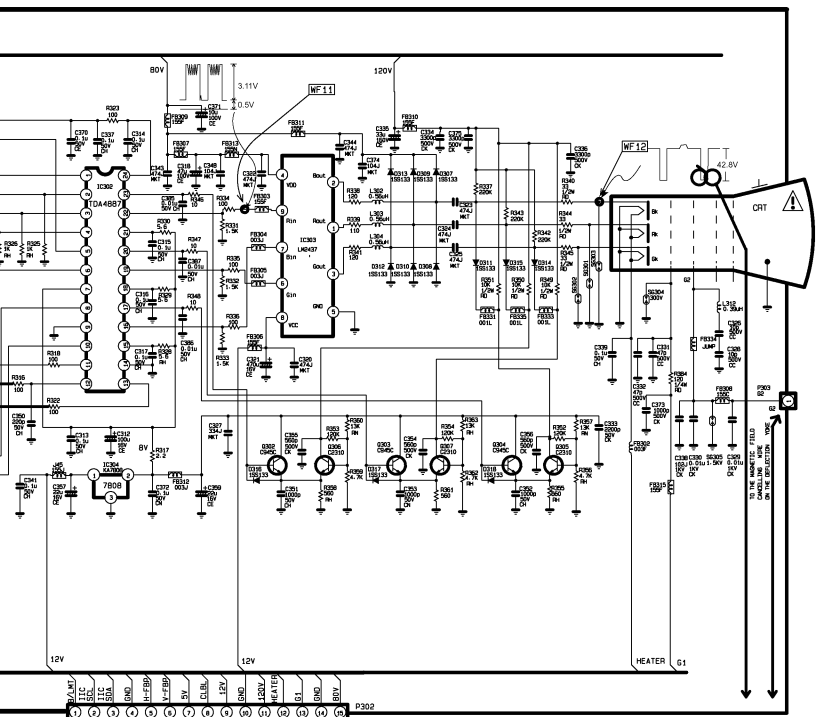


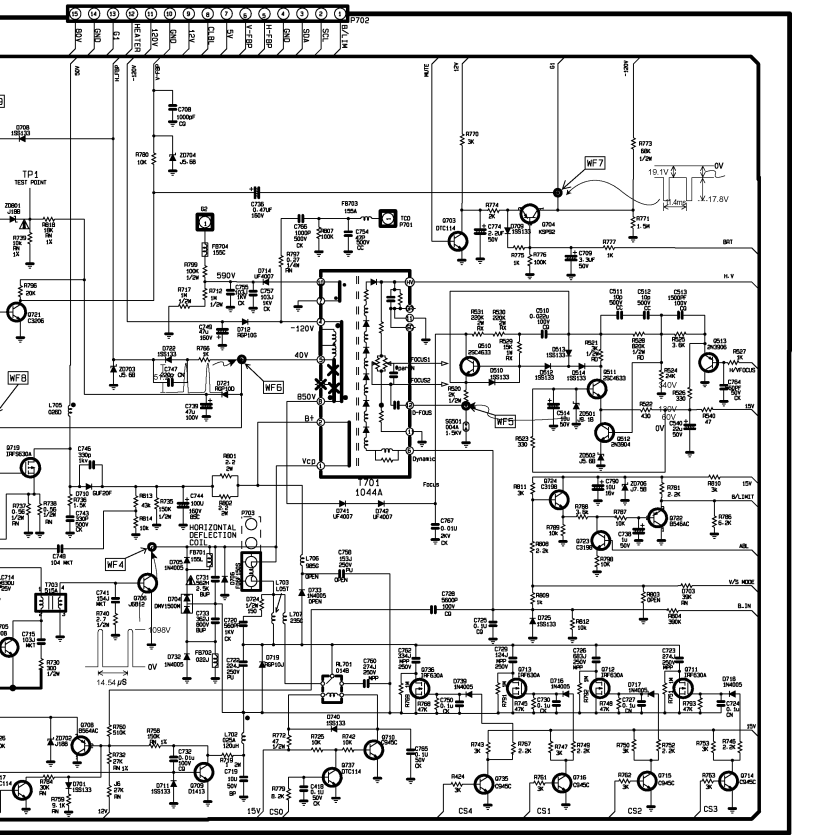
INDU	V1	V2
110V	247 V	52V
220V	400 V	210 V







- | | | | | | | | | | | | | | | | | | | |
|------|-----|--------|------|-----|-----|-----|-------|-------|----|------|---------|-----|-----|---------|-----|-----|-----|------|
| P/AV | IIC | BL | 11V | 11V | 11V | 11V | H-EPD | H-EPD | 5V | 4.5V | CL.BL | 12V | 12V | HEATERS | G1 | G2 | BTV | P302 |
| 1 | 2 | 3 | 4 | 5 | 6 | 7 | 8 | 9 | 10 | 11 | 12 | 13 | 14 | 15 | 16 | 17 | 18 | 19 |
| AUG | 15 | HEATER | 120V | 12V | 12V | 12V | 75 | 75 | 75 | 75 | HEATERS | G1 | G2 | 125 | 125 | 125 | BTV | P702 |



- | | | | | | | | | | | | | | | | | | | |
|------|-----|--------|------|-----|-----|-----|-------|-------|----|------|---------|-----|-----|---------|-----|-----|-----|------|
| P/AV | IIC | BL | 11V | 11V | 11V | 11V | H-EPD | H-EPD | 5V | 4.5V | CL.BL | 12V | 12V | HEATERS | G1 | G2 | BTV | P302 |
| 1 | 2 | 3 | 4 | 5 | 6 | 7 | 8 | 9 | 10 | 11 | 12 | 13 | 14 | 15 | 16 | 17 | 18 | 19 |
| AUG | 15 | HEATER | 120V | 12V | 12V | 12V | 75 | 75 | 75 | 75 | HEATERS | G1 | G2 | 125 | 125 | 125 | BTV | P702 |