

EVALUATION PCB BOARD SPECIFICATION FOR IP4001 5-CH motor drive IC

INTERPION SEMICONDUCTOR
APPLICATION TEAM
2001.10.27

1. TYPICAL APPLICATION OF PS & MUTE

- MUTE (PIN#7)

PIN#7	IP4001
HIGH	MUTE OFF
LOW	MUTE ON

2. CONNECTOR DESCRIPTION

JA1

PIN	NAME	FUNCTION
PIN#1	MUTE	MUTE
PIN#2	REO	REGULATOR OUTPUT
PIN#3	NC	NO CONNECTION
PIN#4	IN1A	CH1 ADJUSTABLE INPUT
PIN#5	IN1	CH1 INPUT
PIN#6	DO1+	CH1 OUTPUT +
PIN#7	DO1-	CH1 OUTPUT -
PIN#8	PGND2	POWER GROUND
PIN#9	DO4+	CH4 OUTPUT +
PIN#10	DO4-	CH4 OUTPUT -

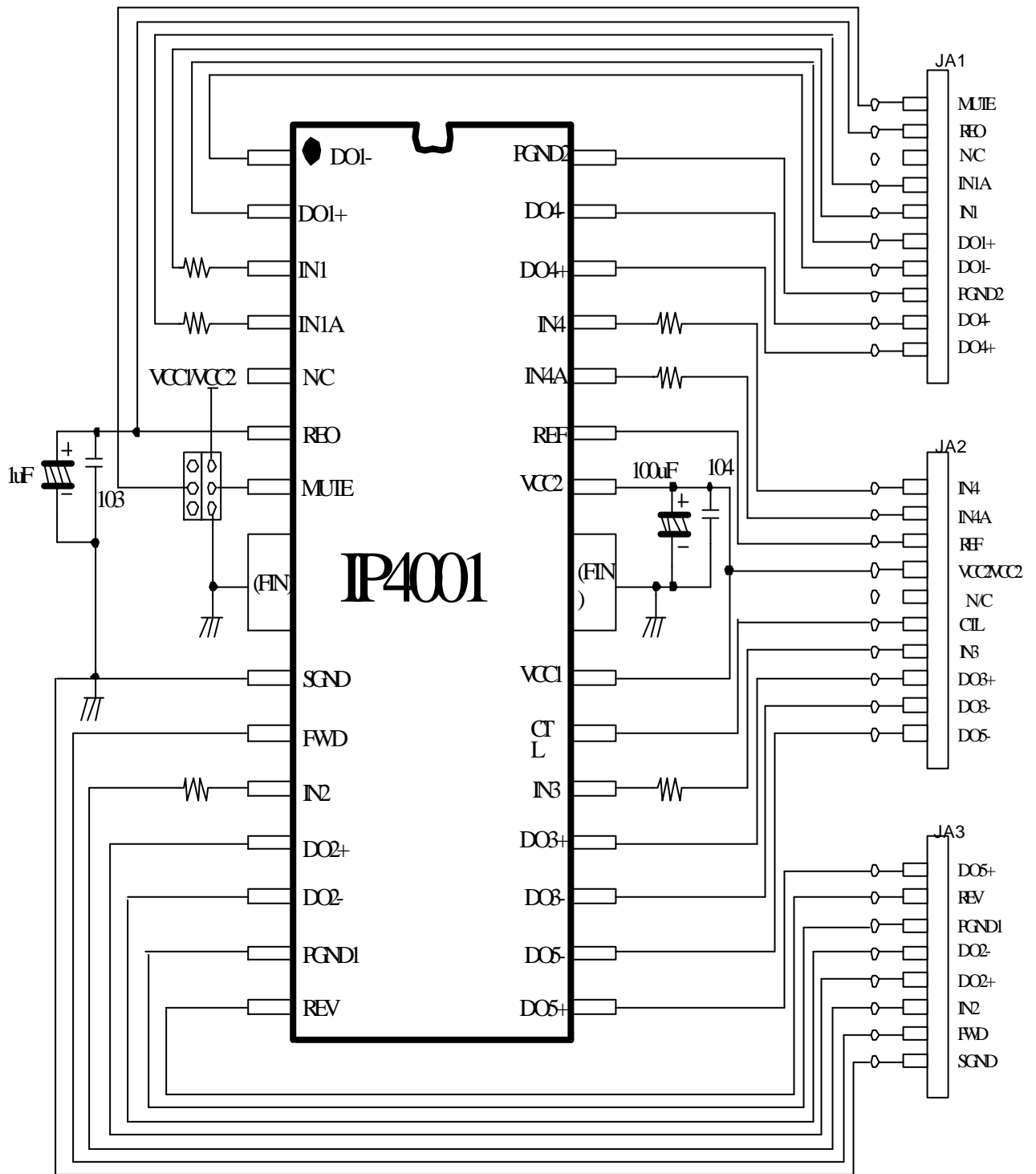
JA2

PIN	NAME	FUNCTION
PIN#1	IN4	CH4 INPUT
PIN#2	IN4A	CH4 ADJUSTABLE INPUT
PIN#3	REF	REFERENCE
PIN#4	VCC1/VCC2	POWER SUPPLY
PIN#5	NC	NO CONNECTION
PIN#6	CTL	CH5 CONTROL
PIN#7	IN3	CH3 INPUT
PIN#8	DO3+	CH3 OUTPUT +
PIN#9	DO3-	CH3 OUTPUT -
PIN#10	DO5-	CH5 OUTPUT -

JA3

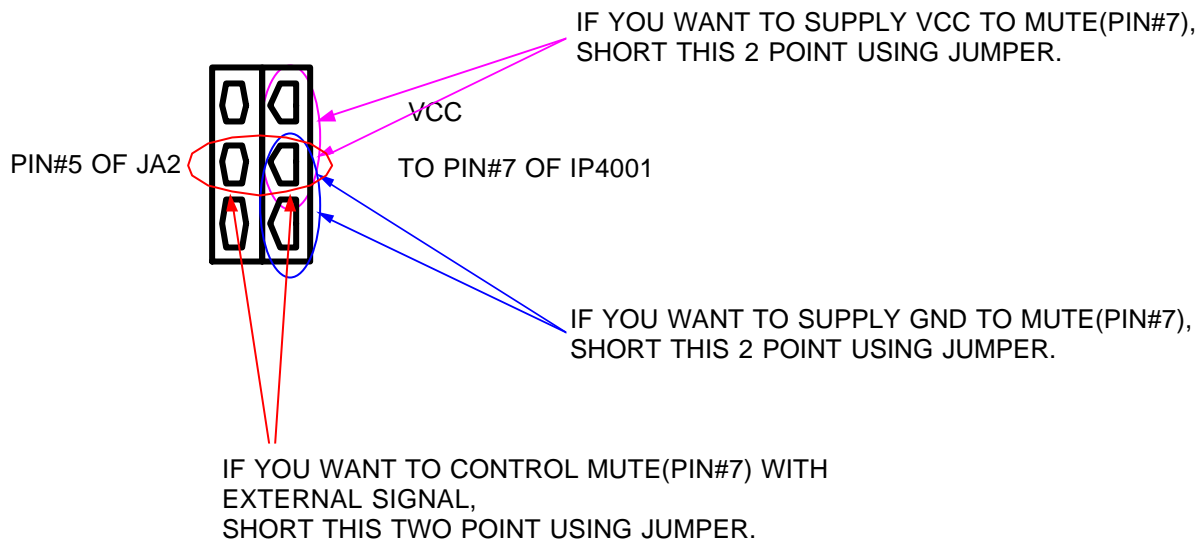
PIN	NAME	FUNCTION
PIN#1	DO5+	CH5 OUTPUT +
PIN#2	REV	CH5 REVERSE INPUT
PIN#3	PGND1	POWER GROUND 1
PIN#4	DO2-	CH2 OUTPUT -
PIN#5	DO2+	CH2 OUTPUT +
PIN#6	IN2	CH2 INPUT
PIN#7	FWD	CH5 FORWARD INPUT
PIN#8	SGND	SIGNAL GROUND

3. PROMOTION BOARD CIRCUIT



4. CONTROL METHOD

- MUTE (PIN#7)



5. CURRENT SETTINGS OF PR BOARD

