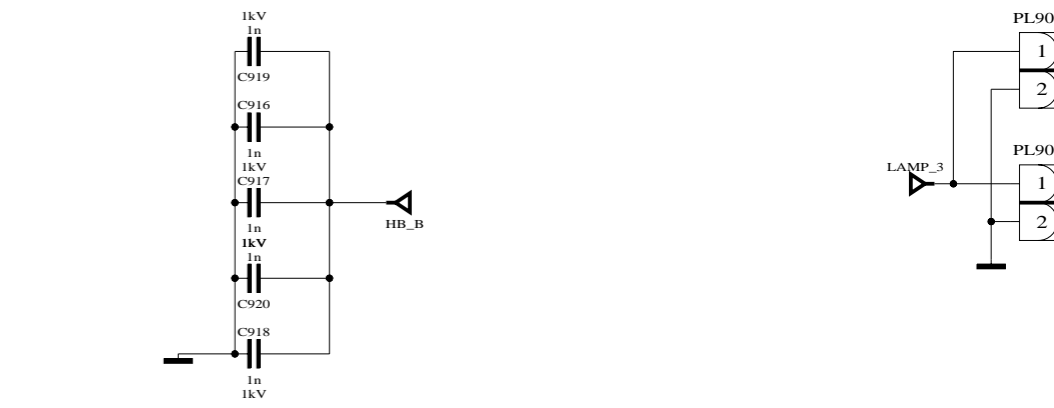
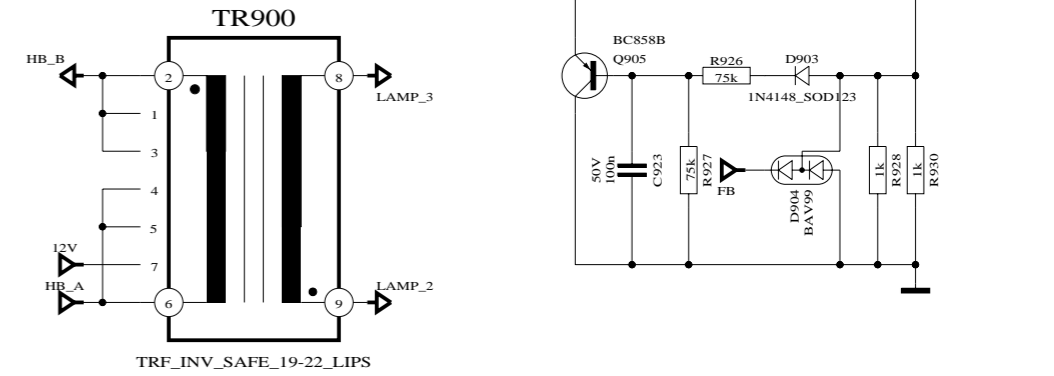
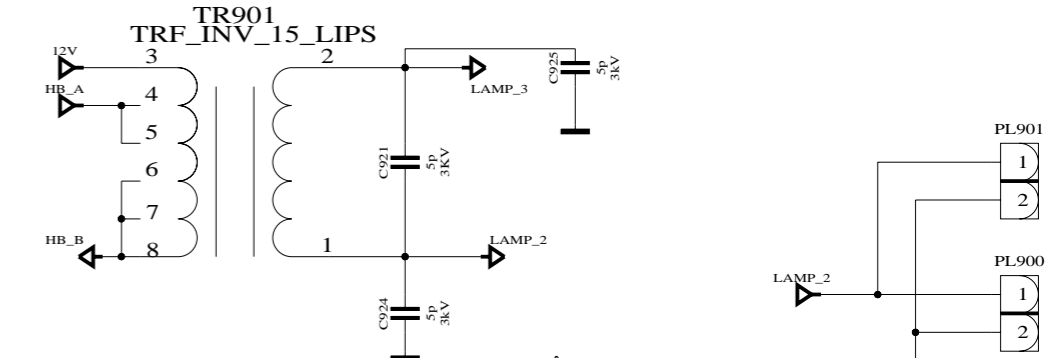
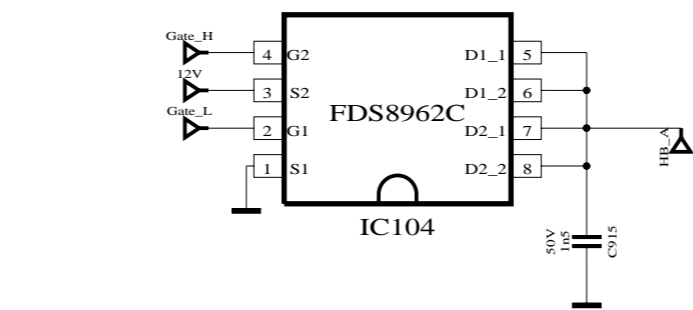
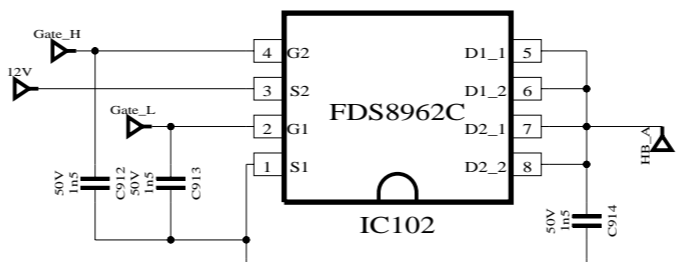
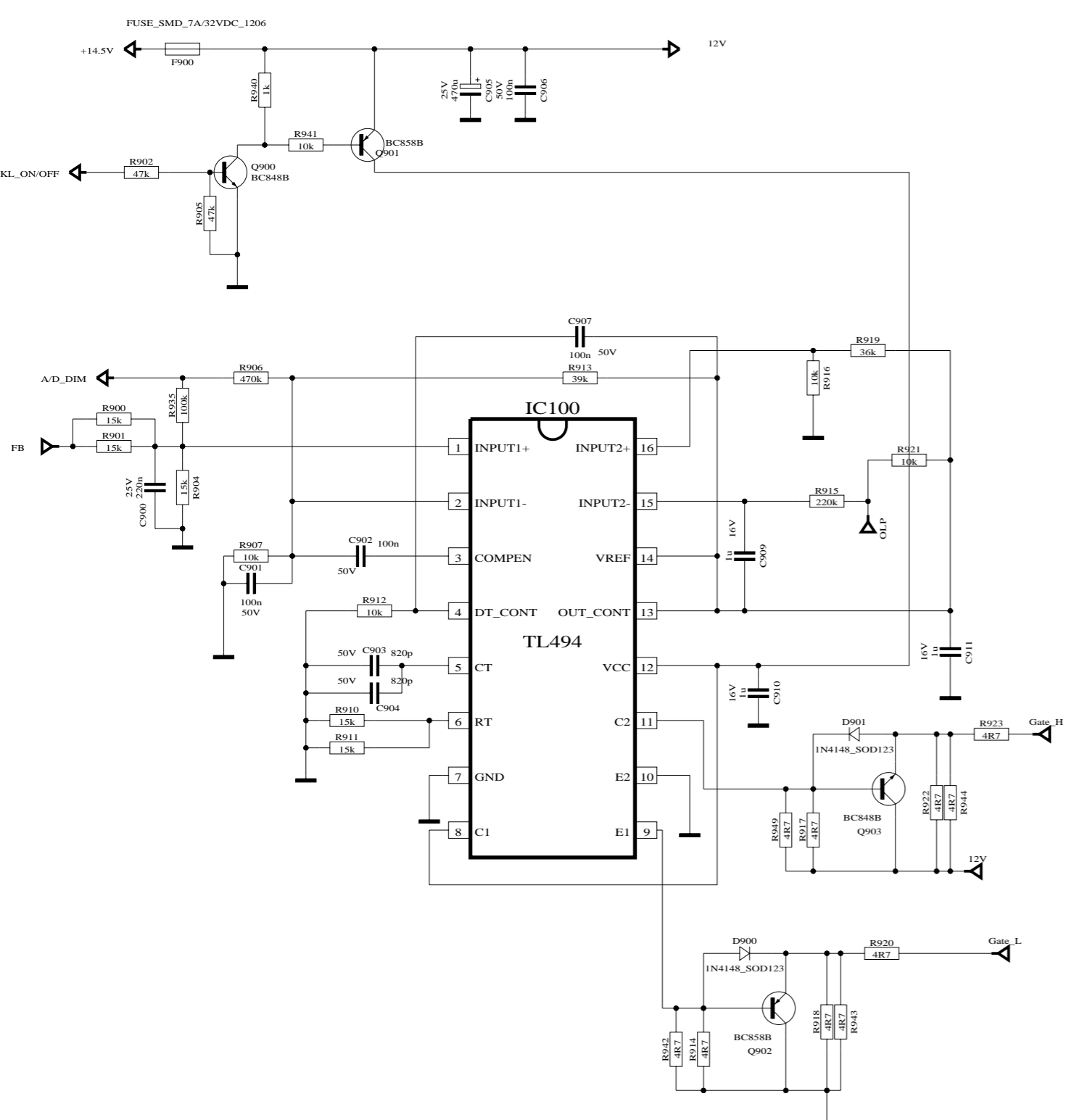
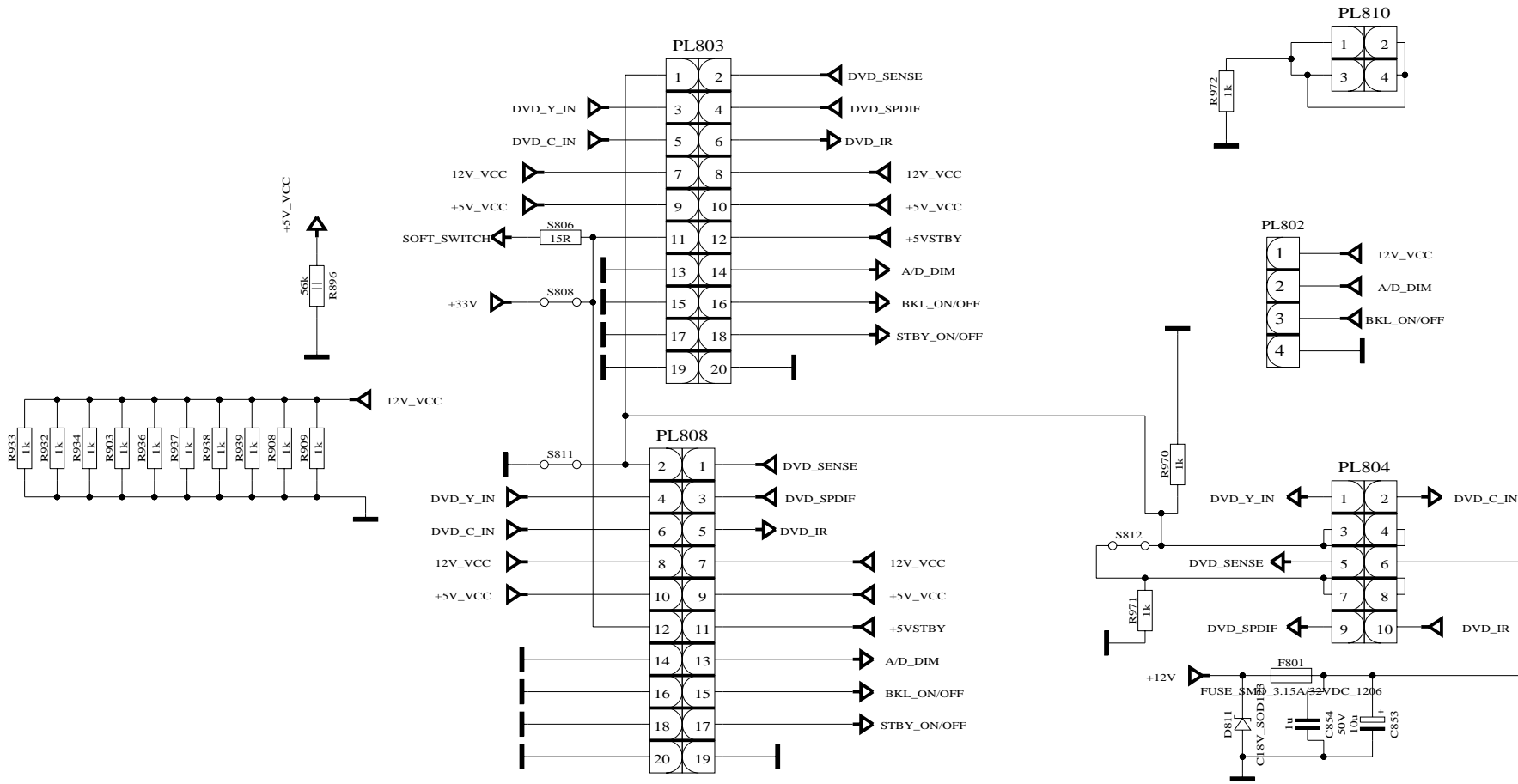


17IPS16-2 —PPSU SECTIO			
Ver.	00	SMPS Group	Sheet 1/3
DATE	22-04-2009		



17IPS16-2 INVERTER SECTION

Ver.	Author	DATE	Sheet
00	SMPS Group	22.04.2009	2/3



17IPS16-1			
Ver. 00	SMPS Group	DATE 13-02-2009	Sheet 3/3