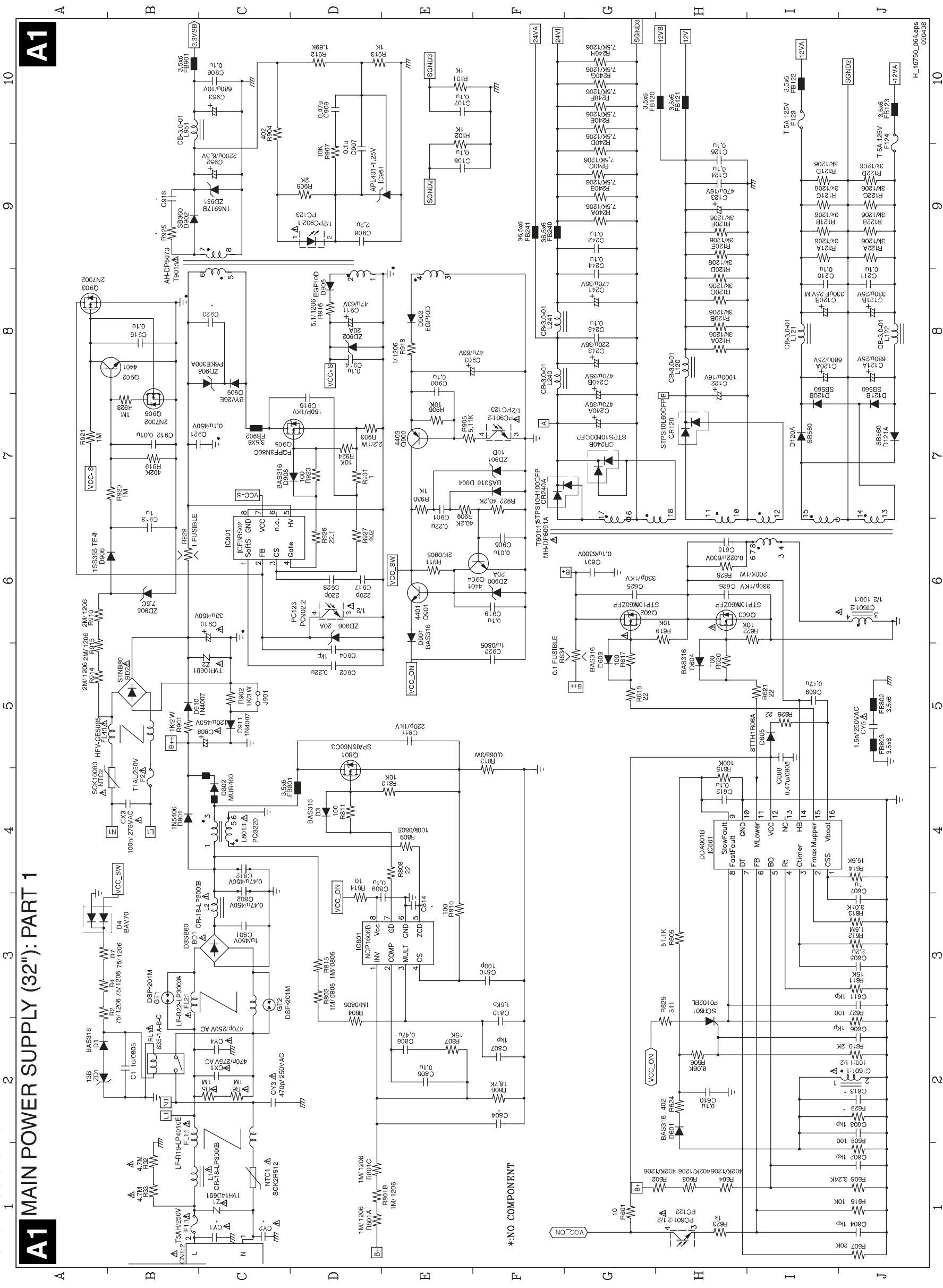


### 7. Circuit Diagrams and PWB Layouts

Display Supply (32"): Part 1

**A1** MAIN POWER SUPPLY (32"): PART 1



H\_16750\_064rps  
090408