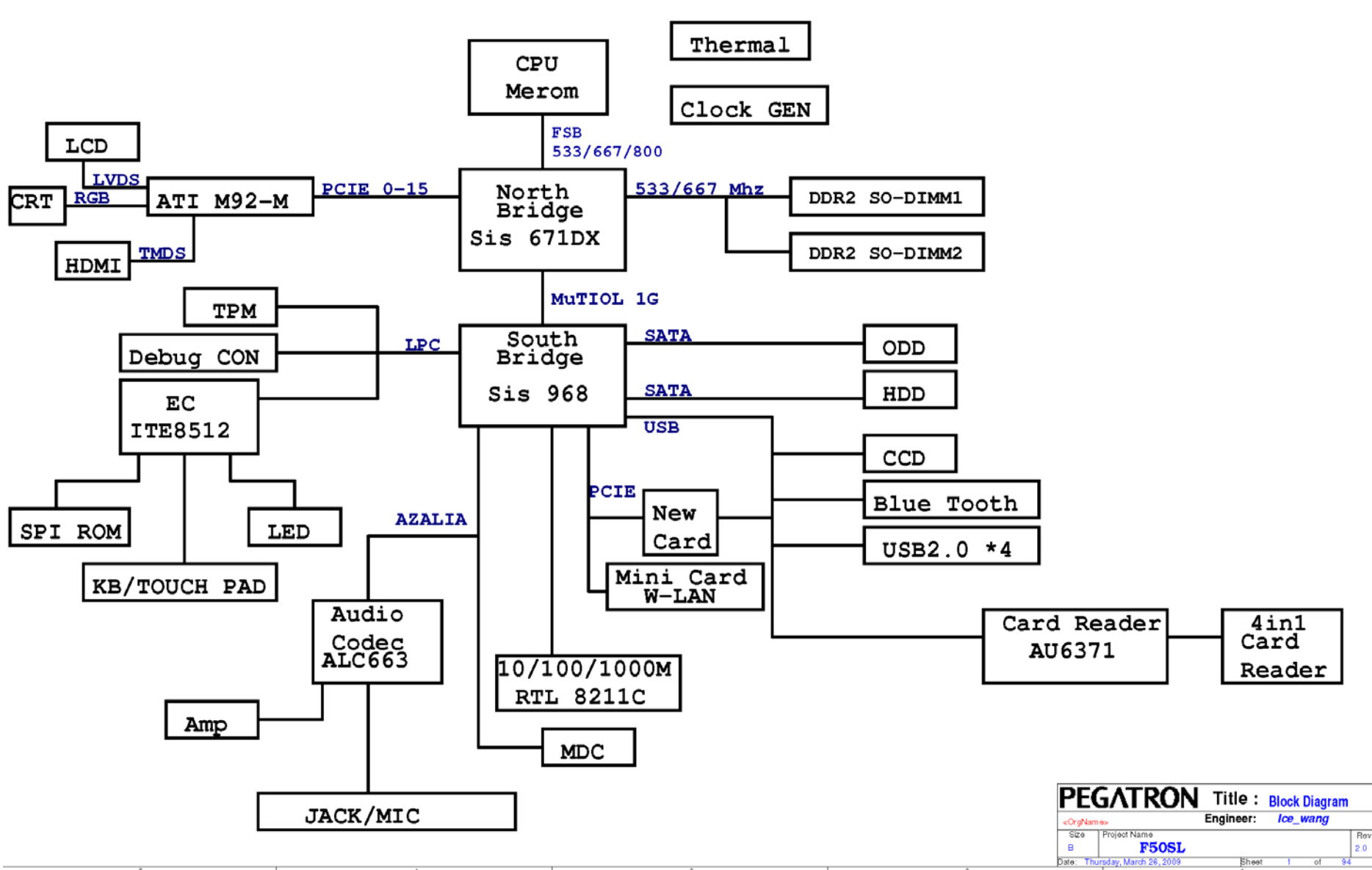


F50SL Repair Guide

March/26/2009

Cote_Dai

CSC--GRMA



PEGATRON Title : Block Diagram

Engineer: Ice_wang

Size	Project Name	Rev
B	F50SL	2.0
Date: Thursday, March 26, 2009	Sheet	1 of 94

