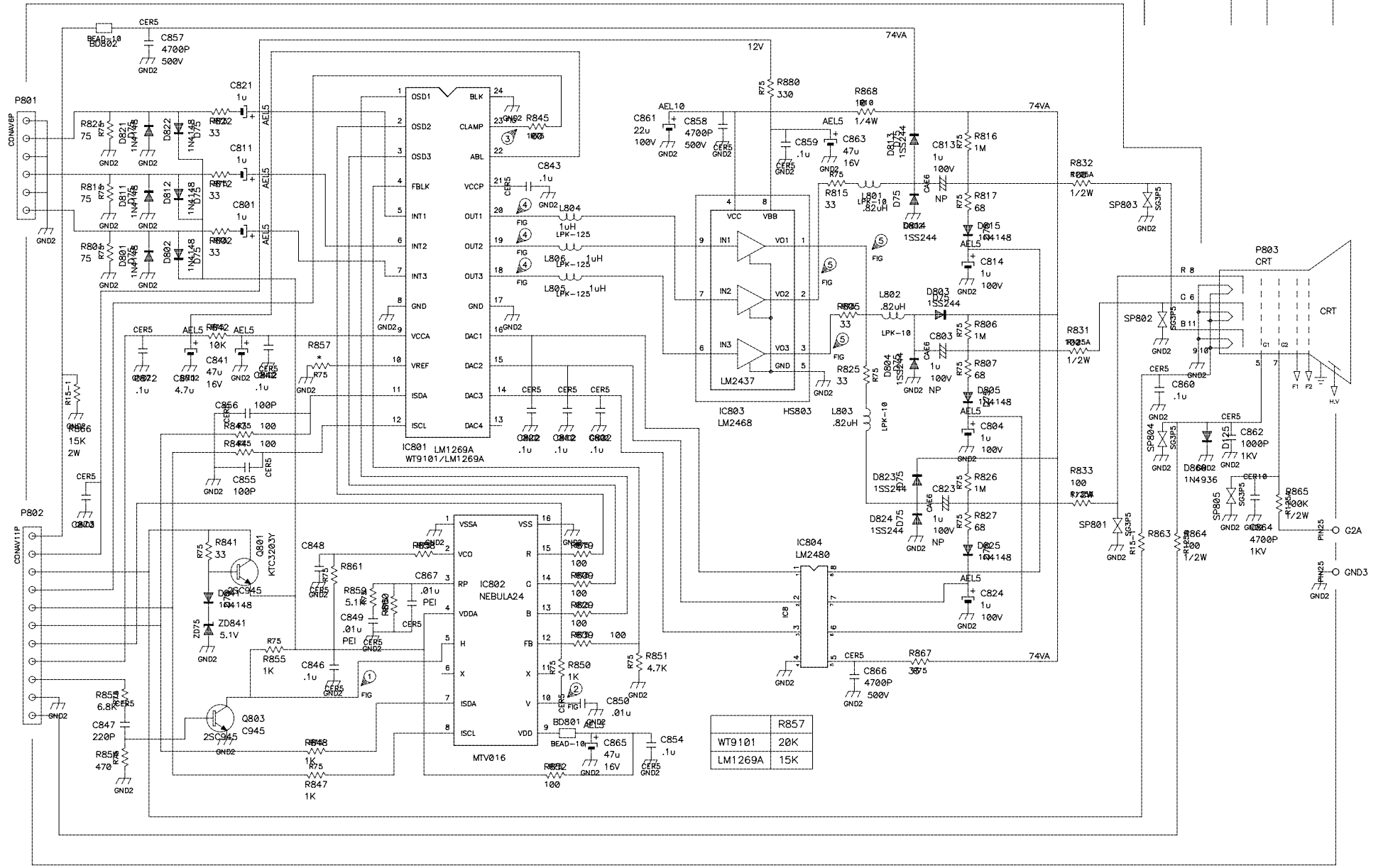


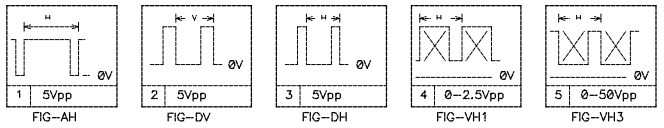
NOTE:
 1. THE UNIT OF RESISTANCE "OHM" IS OMITTED (K=1000 OHMS AND M=1MEG OHM).
 2. ALL RESISTORS ARE 1/8 WATT UNLESS OTHERWISE NOTED.
 3. THE UNIT OF CAPACITANCE "uFD" IS OMITTED UNLESS OTHERWISE NOTED "PF".

REVISIONS			
ECN NO.	REV.	DATE	DRAWN



R857	20K
LM1269A	15K

NOTE:
 1. THE UNIT OF RESISTANCE "OHM" IS OMITTED (K-1000 OHMS AND M-1MEG OHM).
 2. ALL RESISTORS ARE 1/8 WATT UNLESS OTHERWISE NOTED.
 3. THE UNIT OF CAPACITANCE "uFD" IS OMITTED UNLESS OTHERWISE NOTED "PF".



**C706N
C707N
C708N VIDEO BD SCHEMATIC**

DATE	Sep-18-'2002	DWG NO.	REV: 3.1
FILE	C707NC31.SCH	SHEET	1 OF 1