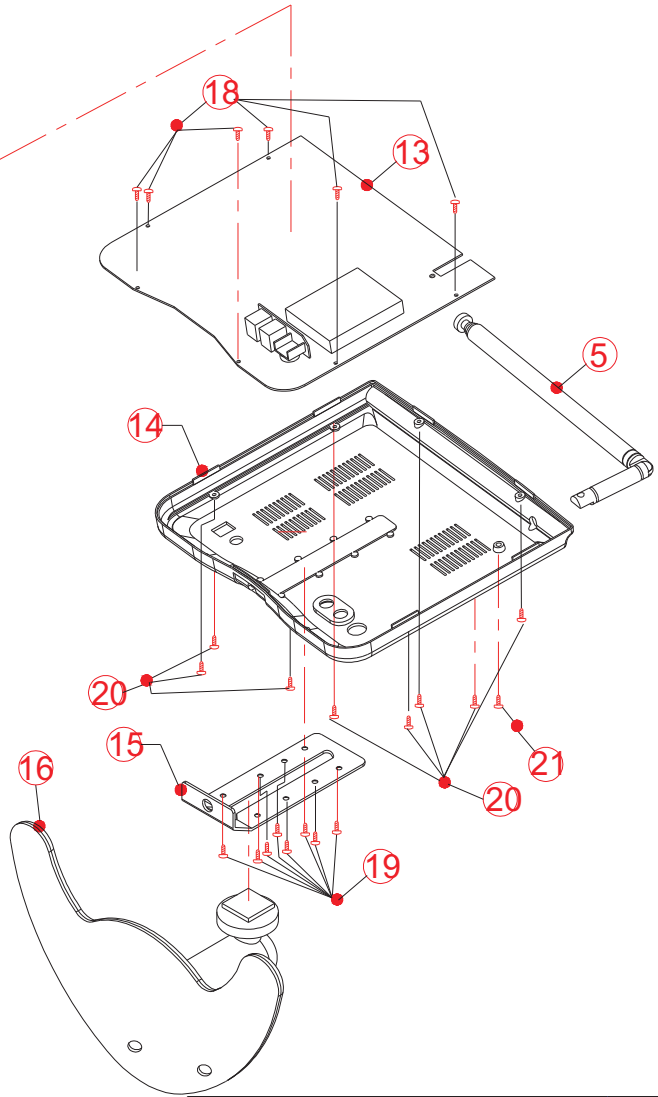
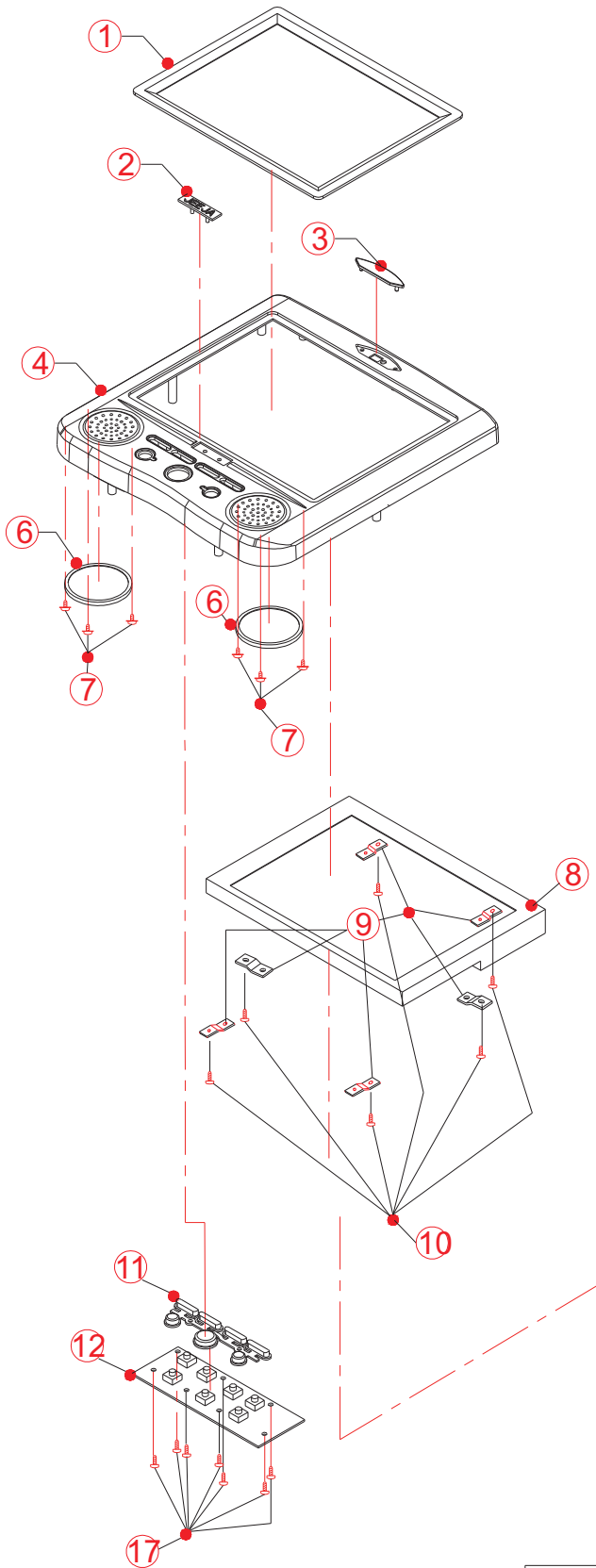


Elenberg TV-700

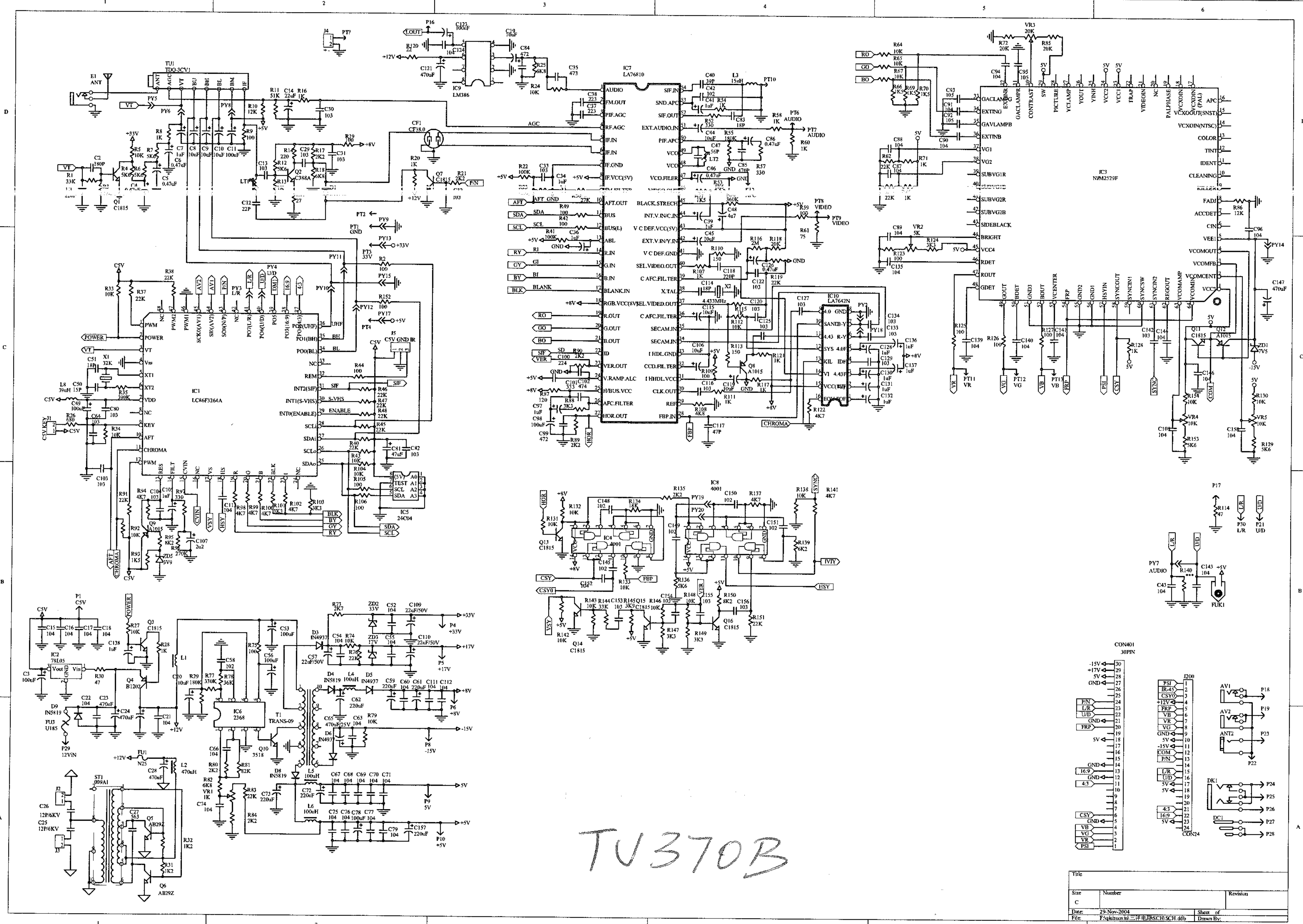


NO.	DESCRIPTION	UNIT
1	RING	1
2	NAMEPLATE	1
3	TOP-LENS	1
4	TOP-CAB	1
5	ANTENNA	1
6	BUGLE	2
7	PWB2.0X4.0	6
8	TFT	1
9	SHEET	6
10	PA2.0X6.0	6
11	KEY	1
12	K-PCB	1
13	M-PCB	1
14	BOTTOM	1
15	B-BKT	1
16	BRACKET	1
17	PWB2.0X6.0	5
18	KA2.0X4.0	7
19	KA2.0X6.0	8
20	PA2.3X12.0	8
21	PBM2.3X8.0	1

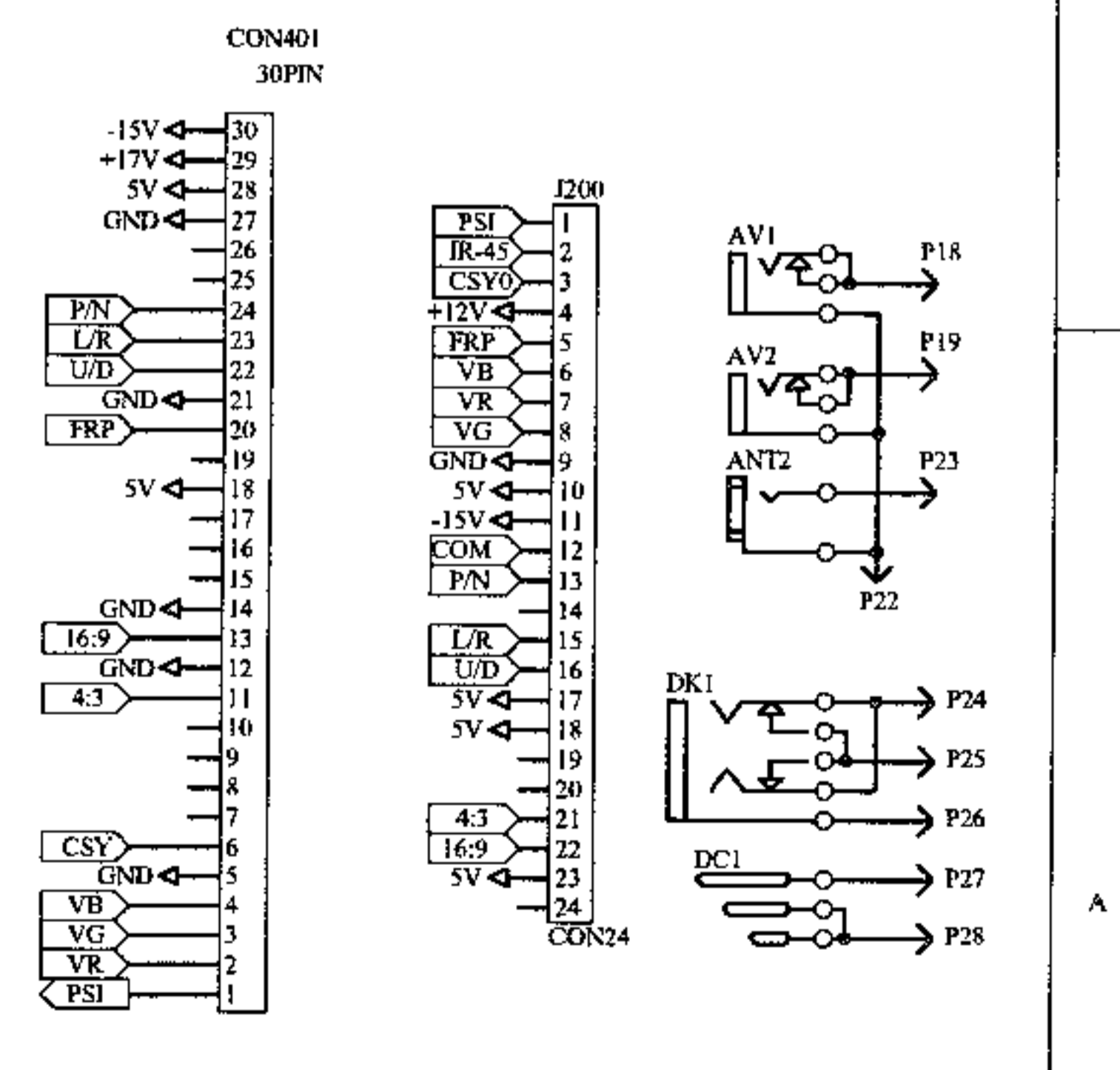
ITEM	SIGN	DATE	TITLE	MAT.
DRAWER				SCALE
CHECKER				QTY
APPROVER			MODE	A4

No.	Component Name	Type No.	error	Amount	Unit	Position of the Components	Note
—、Electronic fitting part							
1	PCB	TV-370B/CLA00		1	PCS		Double-side board
2	PCB	JV-555-RE		1	PCS		single-side board
3	LCD	7" DS		1	PCS		
4	Speaker	Φ45mm 8Ω 1W		2	PCS		
5	Dustproof cover of speaker	Φ40mm		2	PCS		
PCB LIST							
—) Insertion element							
6	IC	LA76810A		1	PCS	IC7	
7	IC	LC863332B		1	PCS	IC1	
8	IC	LA7642N		1	PCS	IC10	
9	IC	A81DC		1	PCS	IC5	
10	IC	CSC386		1	PCS	IC9	
11	IC	78L05		1	PCS	IC2	
12	TUNER	TDQ-3D1-5		1	PCS	TU1	
13	SAW filter	SLN38G		1	PCS	CF1	
14	IF coil	101		1	PCS	LT1	
15	Crystal Oscillator	32KHZ		1	PCS	X1	
16	Crystal Oscillator	4.43MHZ		1	PCS	X2	
17	Self-resetting fuse	U185		1	PCS	FU1	
18	Fuse	N25		1	PCS	FU2	
19	Red LED	Φ3.0mm		1	PCS	LED1	
20	Remote receiving terminal	RA37208A		1	PCS	IR1	
21	Socket	2P Straight Pin		2	PCS	J1/J7	
File title	PCB Board (TV-370B/C/D LA00)		Instituting Dept.	TFT-LCD Development Dept		Instituting Date	18.10.2003
	Used solution:	SANYO	Tab maker		File No.	WI-BOM-TFT-068	
	Suit for:	TFT LCD COLOR TV	Instituted by		Edition	A	
	Model No.:	TV-370B	Audited by		Total page	10	
			Approve by		The page	1	

No.	Component Name	Type No.	error	Amount	Unit	Position of the Components	Note	
22	Socket	3P Straight Pin		1	PCS	J5		
23	Socket	antenna hole is small : PJ-316		1	PCS	ANT2	big antenna hole,75Ω antenna holder	
24	Socket	PJ-335		1	PCS	DK1		
25	Socket	DC-470		1	PCS	DC1		
26	AV Socket			2	PCS	AV2(Red)/AV1(Yellow)		
27	Color code inductance	15UH		1	PCS	L7		
28	Magnetic Core Inductance	100UH		3	PCS	L4/L5/L6		
29	Magnetic Core Inductance	101UH		2	PCS	L1/L2		
30	Magnetic Core Inductance	39UH		1	PCS	L3		
31	Audion	C388		1	PCS	Q9		
32	Zener diode	3V9 1/2W		1	PCS	ZD1		
33	Zener diode	17V 1/2W		1	PCS	ZD3		
34	Zener diode	KA33V		1	PCS	ZD2		
35	Metal oxide film resistor	22Ω 1/2W		1	PCS	R120		
36	Carbon film resistor	470Ω 1/16W		1	PCS	R38	Remote head PCB board	
37	High Voltage CAP	33P/3KV	5%	1	PCS	C83		
38	Terylene CAP	104/250V	5%	1	PCS	C80		
39	CBB CAP	102/100V	5%	1	PCS	C58		
40	CBB CAP	104/100V	5%	5	PCS	C2/C5/C6/C66/C74		
41	Electrolytic CAP	0.47UF/50V 105°C	20%	3	PCS	C90/C93/C97	4×5	
42	Electrolytic CAP	1UF/50V 105°C	20%	7	PCS	C13/C42/C45/C49/C87/C95/C1	4×5	
43	Electrolytic CAP	1UF/50V 105°C	20%	6	PCS	C132/C134/C135/C136/C37/C1	4×5	
44	Electrolytic CAP	2U2/50V 105°C	20%	1	PCS	C119	4×5	
45	Electrolytic CAP	4U7/50V 105°C	20%	1	PCS	C94	4×7	
File title		PCB Board (TV-370B/C/D LA00)		Instituting Dept.		TFT-LCD Development Dept	Instituting Date	18.10.2003
		Used solution: SANYO		Tab maker			File No.	WI-BOM-TFT-068
		Suit for: TFT LCD COLOR TV		Instituted by			Edition	A
		Model No.: TV-370B		Audited by			Total page	10
				Approve by			The page	2



TV370B



Title		
Size	Number	Revision
Date:	29-Nov-2004	Sheet of
File:	F:\qin\qin\三洋电视\SCH\SCH.dfb	Drawn By: