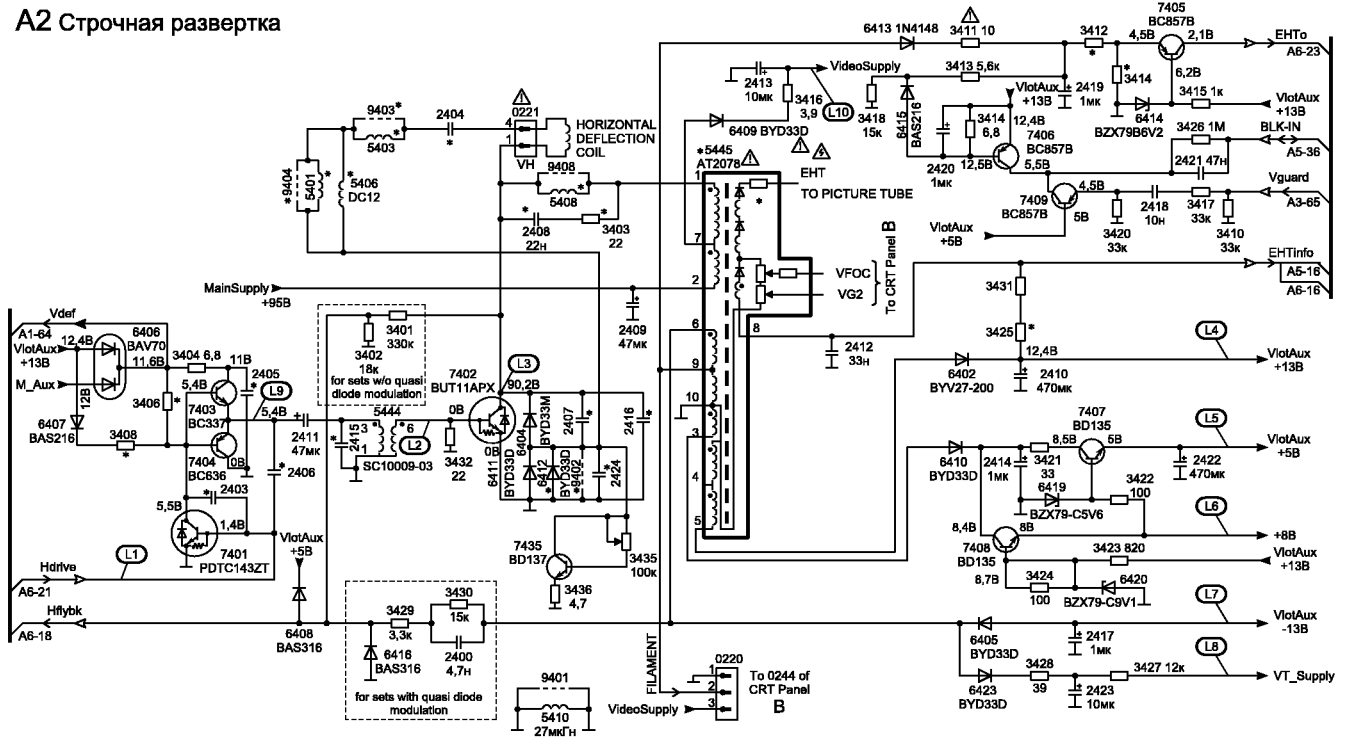
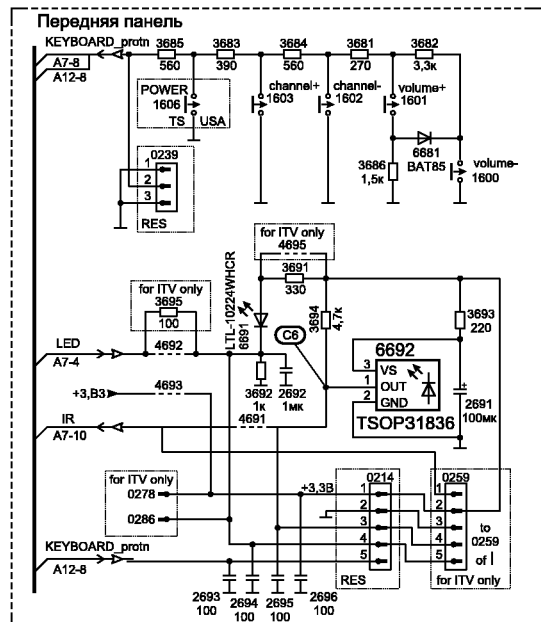
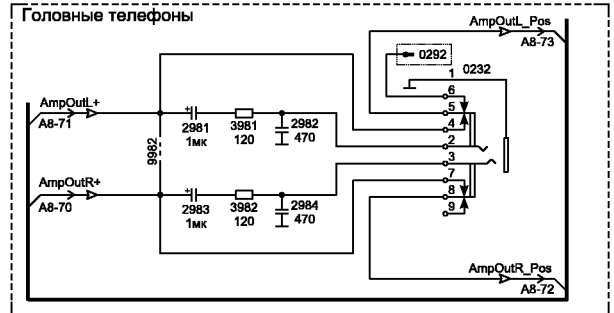
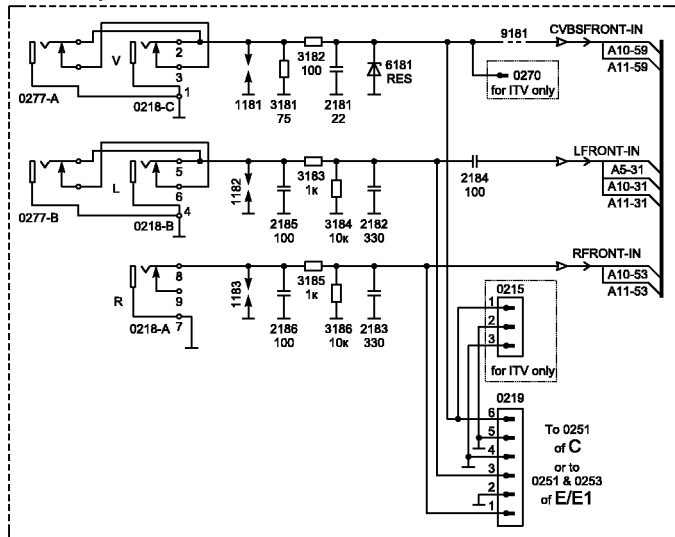


A2 Строчная развертка



A12 Передняя панель



Элемент	Значение	Таблица элементов																	
		14" Mono, 14:10 page bt, Headphone	17" Mono, 14:10 page bt, no Side AV	21" Mono, 14:10 page bt, no Side AV	14" Mono, no bt, Headphone	21" Mono, no bt, Headphone	14" Stereo, no Side AV	21" Stereo, no Side AV	21" Stereo, Side AV	37" Mono, 1 page bt	51" Mono, 1 page bt, Headphone	52" Mono, 1 page bt, Headphone	14" Mono, 1 page bt, no Headphone	20" Mono, 10 page bt	52" Mono, 1 page bt, no Headphone	14" Mono, no bt, no Headphone	20" Mono, no bt	37" Mono, no bt, no Headphone	51" Mono, no bt
0215	CON 3																		
0218	SOC CINCH H 2	X	X	X	X	X													
0218	SOC CHINCH H 3							X	X										
0219	6 Male									X	X								
0232	SOC PHONE H 1	X	X	X	X	X	X	X	X	X	X	X	X	X	X	X	X	X	X
0259	5 Male																		
1606	SWI TACT		X	X	X	X	X	X	X										
2181	22 0B	X	X	X	X	X	X	X	X										
2182	390 50B	X	X	X	X	X	X	X	X										
2183	390 50B									X	X								
2184	4,7mk 10B	X	X	X	X	X	X	X	X	X	X								
2185	390 50B	X	X	X	X	X	X	X	X										
2186	390 50B									X	X								
2981	10mk 50B	X	X	X	X	X	X	X	X	X	X	X	X	X	X	X	X	X	X
2982	470 50B	X	X	X	X	X	X	X	X	X	X	X	X	X	X	X	X	X	X
2983	10mk 50B	X	X	X	X	X	X	X	X	X	X	X	X	X	X	X	X	X	X
2984	470 50B	X	X	X	X	X	X	X	X	X	X	X	X	X	X	X	X	X	X
3181	75	X	X	X	X	X	X	X	X										
3182	100	X	X	X	X	X	X	X	X										
3183	150	X	X	X	X	X	X	X	X										
3184	47k	X	X	X	X	X	X	X	X										
3185	150									X	X								
3186	47k									X	X								
3681	390	X	X	X	X	X	X	X	X	X	X	X	X	X	X	X	X	X	X
3681	470	X	X	X	X	X	X	X	X										
3682	3,3k	X	X	X	X	X	X	X	X	X	X	X	X	X	X	X	X	X	X
3682	3,9k	X	X	X	X	X	X	X	X										
3683	270									X	X								
3683	390	X	X	X	X	X	X	X	X	X	X	X	X	X	X	X	X	X	X
3684	470									X	X								
3684	560	X	X	X	X	X	X	X	X	X	X	X	X	X	X	X	X	X	X
3686	1,5k	X	X	X	X	X	X	X	X										
3686	1,8k									X	X								
3692	1k	X	X	X	X	X	X	X	X	X	X	X	X	X	X	X	X	X	X
3695	330									X	X								
3981	120	X	X	X	X	X	X	X	X	X	X	X	X	X	X	X	X	X	X
3982	120	X	X	X	X	X	X	X	X	X	X	X	X	X	X	X	X	X	X
4692	Jumper	X	X	X	X	X	X	X	X	X	X	X	X	X	X	X	X	X	X
4693	Jumper	X	X	X	X	X	X	X	X	X	X	X	X	X	X	X	X	X	X
9181	Wire	X	X	X	X	X	X	X	X	X	X	X	X	X	X	X	X	X	X
9982	Wire	X	X	X	X	X	X	X	X	X	X	X	X	X	X	X	X	X	X

A3 Кадровая развертка

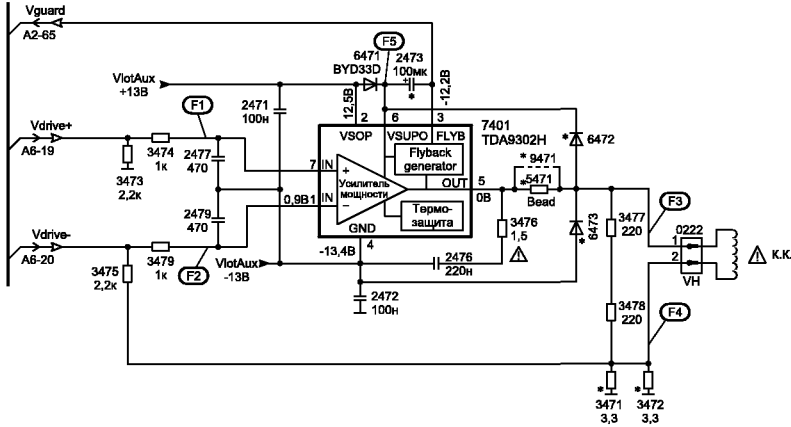
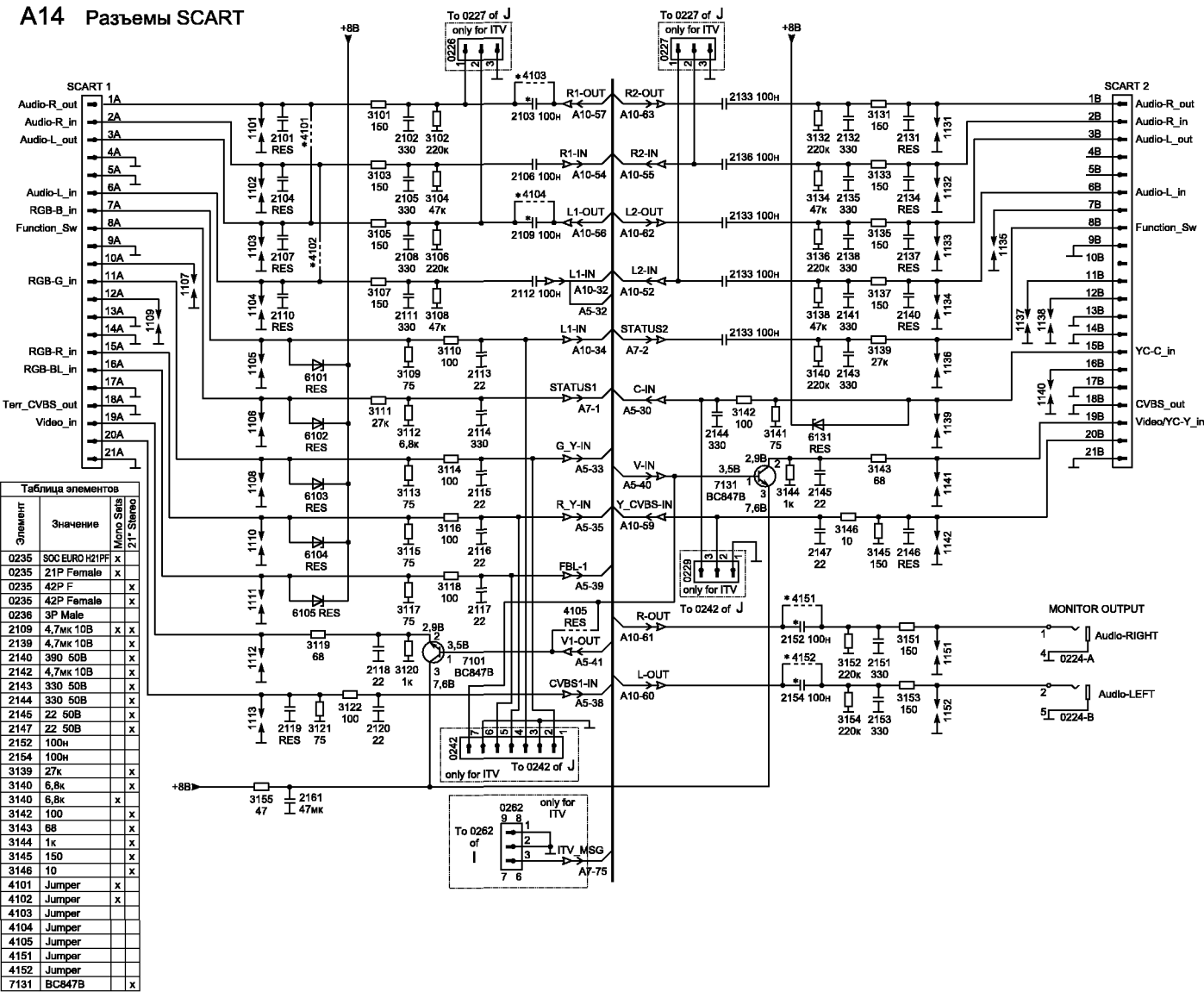


Таблица элементов					
Элемент	Значение	21*	20*	17*	14* Black matrix
2401	680 50B				
2402	680н 250B				
2403	capacitor				
2404	560н 250B	x			
2404	680н 250B		x		
2404	390н 250B			x	
2404	470н 250B				x
2405	1н 50B	x	x	x	x
2406	330 50B				
2407	9н 11.6кВ			x	x
2407	11н 1.6кВ	x			
2407	12н 1.6кВ		x		
2408	22н 50B	x	x	x	x
2408	47н 50B				x
2415	capacitor				
2416	220 2кВ				x
2416	470 2кВ	x			x
2416	560 2кВ				x
2416	2.2н 2кВ			x	
2424	47н 100B	x	x	x	x
2474	220 50B				
2478	100н 50B				
3221	560 1/6Bт				
3222	100 1/6Bт				
3401	330к				
3402	18к 1/6Bт				
3403	22	x	x	x	x
3406	10к 1/6Bт	x	x	x	x
3407	220				
3408	8.2к 1/6Bт	x	x	x	x
3412	39к	x	x	x	x
3414	12к	x	x	x	x
3425	12к	x	x	x	x

Таблица элементов					
Элемент	Значение	21*	20*	17*	14* Black matrix
3425	18к				
3431	100				x
3431	1к			x	
3431	2.7к			x	
3431	4.7к			x	x
3431	5.6к			x	x
3471	3.3		x	x	x
3471	4.7		x	x	x
3471	5.6				x
3472	3.9		x		
3472	5.6				x
3472	6.8		x	x	x
5401	68мк				
5403	10мк	x	x	x	
5406	COIL INCOR DRUM	x	x	x	
5406	COIL INCOR DRUM	x	x	x	
5408	22мк				x
5408	27мк	x	x	x	x
5471	BEAD				
5445	TFM 1142/5093D B	x	x	x	x
6401	DIO SIG BAV21				
6412	BYD33D	x	x	x	x
6472	DIODE				
6473	DIODE				
7402	TRA POW BUT11APX				
7407	TRA POW BD135-16				
7408	TRA POW BD135-16				
9402	Wire				
9403	Wire				x
9404	Wire				x
9408	Wire				x
9471	Wire	x	x	x	x

A14 Разъемы SCART



А6 Узел синхронизации

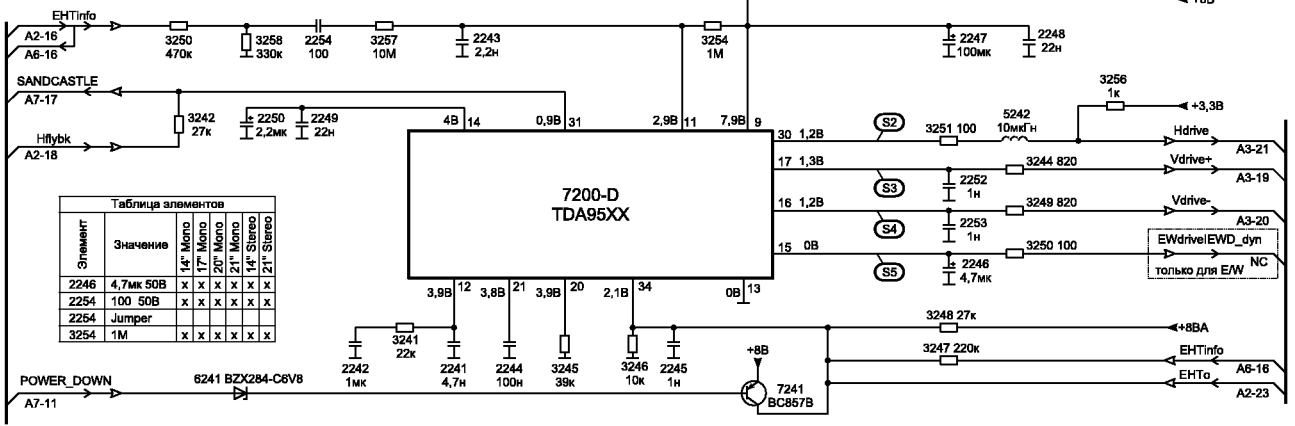


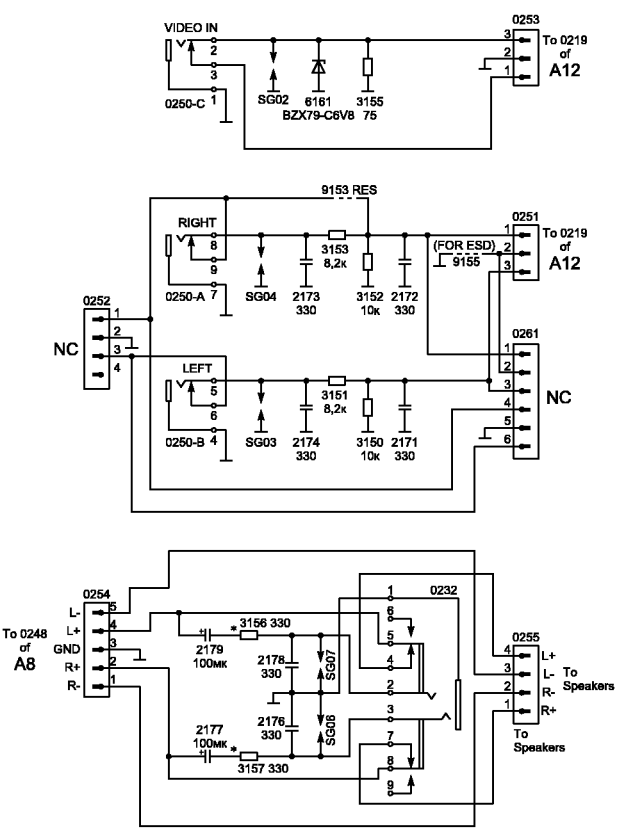
Таблица элементов

Элемент	Значение	14" Mono	17" Mono	20" Mono	14" Stereo	21" Stereo
2246	4,7мк 50В	x	x	x	x	x
2254	100 50В	x	x	x	x	x
2254	Jumper	x	x	x	x	x
3254	1М	x	x	x	x	x

Таблица элементов

Элемент	Значение	14" Mono	17" Mono	20" Mono	14" Stereo	21" Stereo
1200	Crystal 5,5МГц/5,4МГц	x	x	x	x	x
1201	Crystal 5,5МГц/5,7МГц/6,5МГц	x	x	x	x	x
1202	Crystal 4МГц	x	x	x	x	x
1203	Crystal 10МГц	x	x	x	x	x
2202	100н 25В	x	x	x	x	x
2203	68 50В	x	x	x	x	x
2213	22н 50В	x	x	x	x	x
2214	22н 50В	x	x	x	x	x
2215	22н 50В	x	x	x	x	x
2220	470н 50В	x	x	x	x	x
2221	22н 25В	x	x	x	x	x
2222	10н 25В	x	x	x	x	x
2223	10 50В	x	x	x	x	x
2225	220н 25В	x	x	x	x	x
2226	3,9н 50В	x	x	x	x	x
2227	4,7н 50В	x	x	x	x	x
2228	820 50В	x	x	x	x	x
2229	10мк 50В	x	x	x	x	x
2230	4,7мк 50В	x	x	x	x	x
2234	100н 25В	x	x	x	x	x
2235	1н 50В	x	x	x	x	x
2238	1н 50В	x	x	x	x	x
2239	1н 50В	x	x	x	x	x
2240	1н 50В	x	x	x	x	x
3208	150	x	x	x	x	x
3209	390	x	x	x	x	x
3210	4,7к 1/8Вт	x	x	x	x	x
3211	4,7к 1/8Вт	x	x	x	x	x
3220	100	x	x	x	x	x
3227	100к	x	x	x	x	x
3228	100к	x	x	x	x	x
3229	820	x	x	x	x	x
3230	1к	x	x	x	x	x
3230	270	x	x	x	x	x
3231	560	x	x	x	x	x
3231	Jumper	x	x	x	x	x
3232	2,2к	x	x	x	x	x
3233	820	x	x	x	x	x
3234	820	x	x	x	x	x
3236	100к	x	x	x	x	x
3236	150к	x	x	x	x	x
3237	1,2к	x	x	x	x	x
3237	330	x	x	x	x	x
3238	270	x	x	x	x	x
3238	560	x	x	x	x	x
3239	270	x	x	x	x	x
3239	330	x	x	x	x	x
3240	100к	x	x	x	x	x
3261	330	x	x	x	x	x
4204	Jumper	x	x	x	x	x
4205	Jumper	x	x	x	x	x
4206	Jumper	x	x	x	x	x
4207	Jumper	x	x	x	x	x
4208	Jumper	x	x	x	x	x
4210	Jumper	x	x	x	x	x
4211	Jumper	x	x	x	x	x
4212	Jumper	x	x	x	x	x
4213	Jumper	x	x	x	x	x
4214	Jumper	x	x	x	x	x
4215	Jumper	x	x	x	x	x
5201	2,2мк	x	x	x	x	x
5201	4,7мк	x	x	x	x	x
7200	TDA9651HYN 1/3	x	x	x	x	x
7200	TDA9652HYN 1/3	x	x	x	x	x
7200	TDA967HYN 1/5	x	x	x	x	x
7200	TDA967HYN 1/3	x	x	x	x	x
7200	TDA967HYN 1/5	x	x	x	x	x
7200	TDA967HYN 1/5	x	x	x	x	x
7202	TRA 9K3 3M BC857B	x	x	x	x	x
7203	TRA 3K3 3M BC857B	x	x	x	x	x
7205	TRA 3K3 8M BC857B	x	x	x	x	x
7206	BC847C	x	x	x	x	x
7209	BF320	x	x	x	x	x
7210	BF320	x	x	x	x	x
9200	Wire	x	x	x	x	x
9208	Wire	x	x	x	x	x
9209	Wire	x	x	x	x	x
9618	Wire	x	x	x	x	x

E1 Задняя панель



*	EUROPE	AP/INDIA/LATAM
3156	330	120
3157	330	120

A7 Узел управления

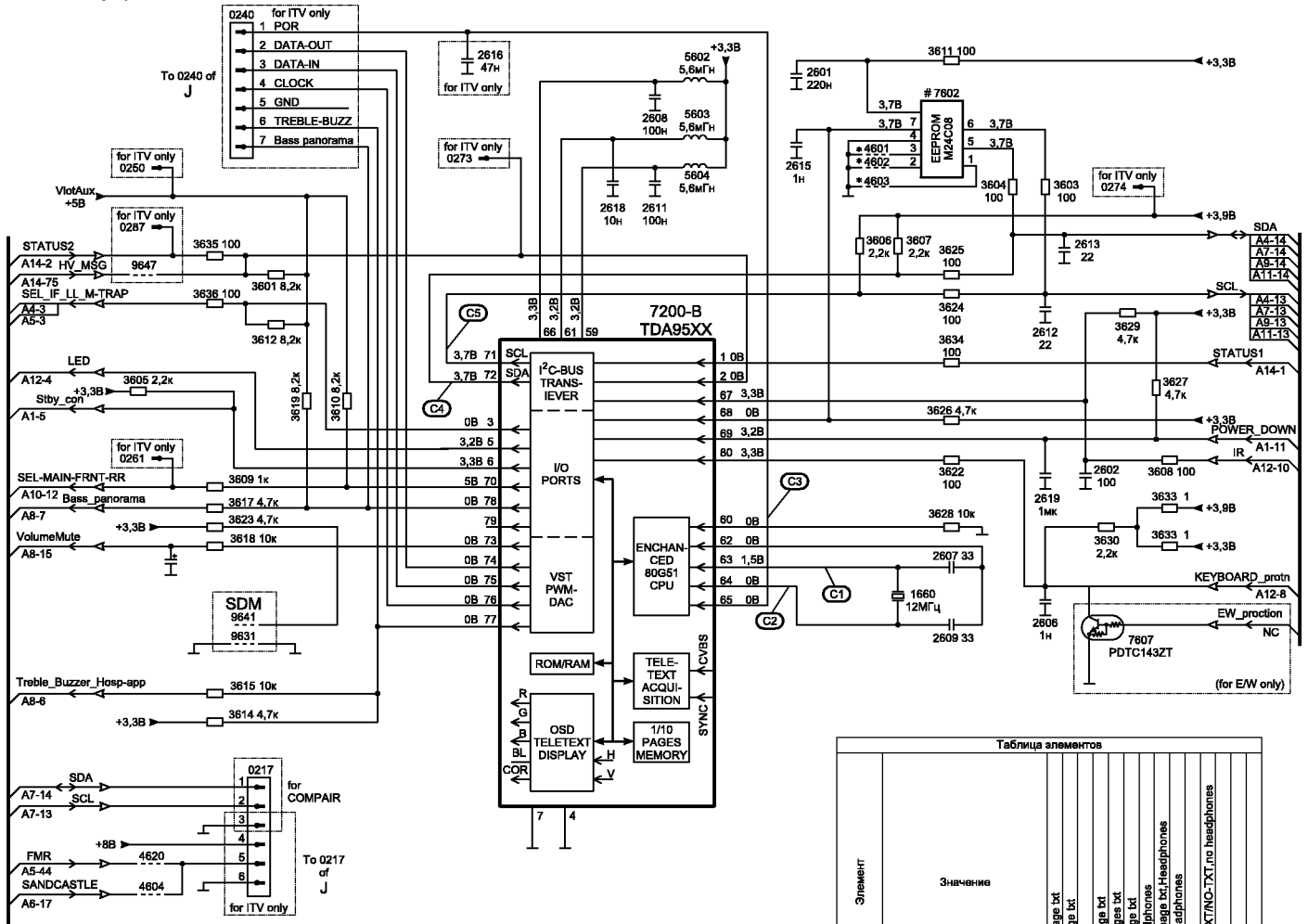
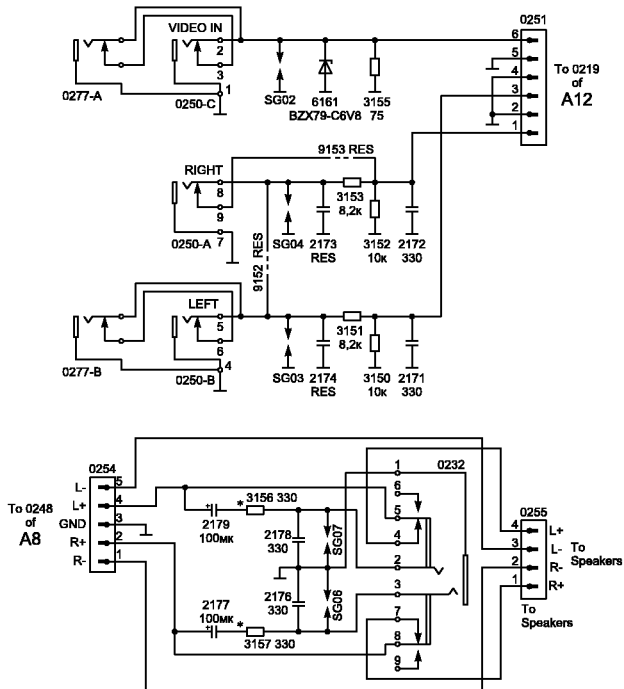


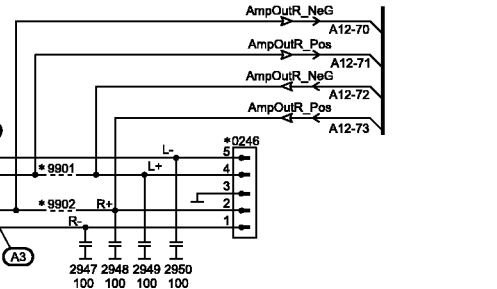
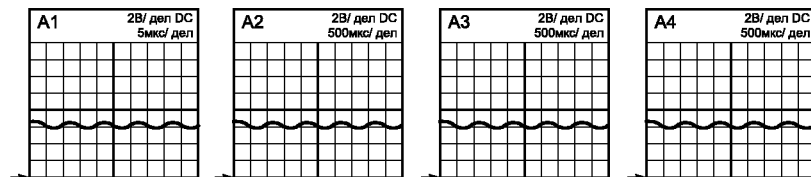
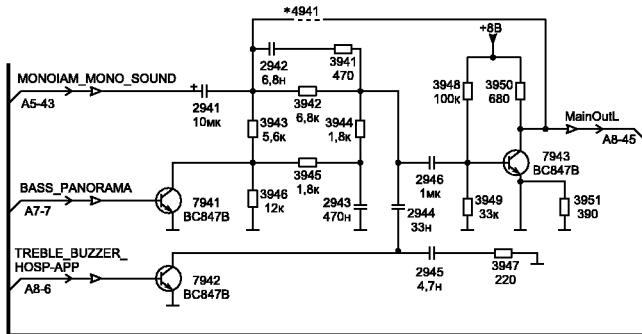
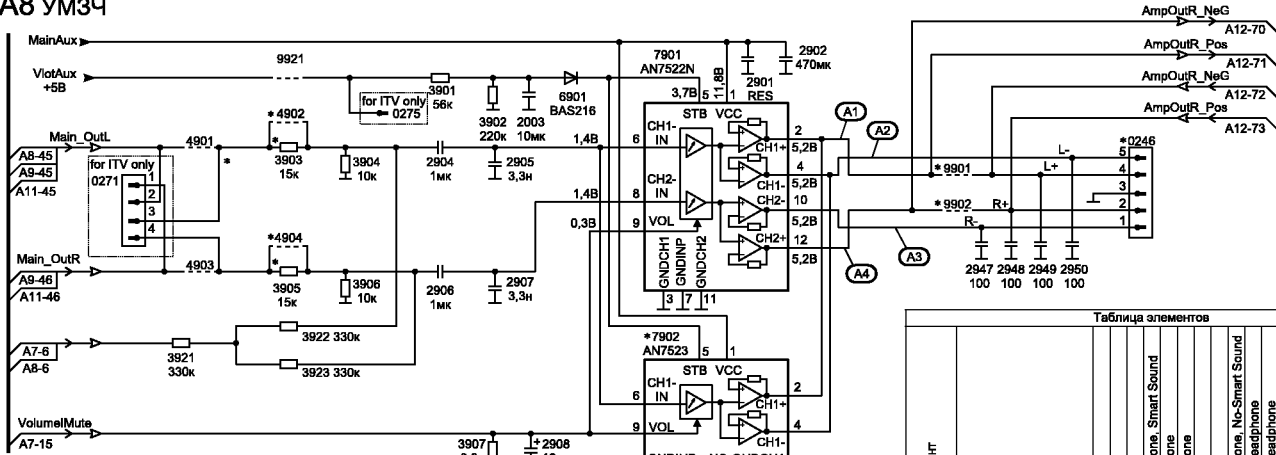
Таблица элементов

Элемент	Значение	21" Stereo, 21 page bt	21" Stereo, 1 page bt	17" Mono, 10 page bt	17" Mono, 10 page bt	21" Mono, 10 page bt	14" Stereo, Headphones	21" Mono, 7/10 page bt, Headphones	14" Mono, No headphones	20" Mono	21" Mono, 1P-TX/NO-TXT no headphones	371A971B	521A921B
0217	3 Male	X	X	X	X	X	X	X	X	X	X	X	X
0240	7 Male	X	X	X	X	X	X	X	X	X	X	X	X
1680	Crystal 12MГц	X	X	X	X	X	X	X	X	X	X	X	X
3601	6,2x 1/6Вт	X	X	X	X	X	X	X	X	X	X	X	X
3609	1к	X	X	X	X	X	X	X	X	X	X	X	X
3610	8,2к	X	X	X	X	X	X	X	X	X	X	X	X
3614	4,7к	X	X	X	X	X	X	X	X	X	X	X	X
3615	10к	X	X	X	X	X	X	X	X	X	X	X	X
3617	4,7к	X	X	X	X	X	X	X	X	X	X	X	X
3619	8,2к	X	X	X	X	X	X	X	X	X	X	X	X
3633	1	X	X	X	X	X	X	X	X	X	X	X	X
3635	100	X	X	X	X	X	X	X	X	X	X	X	X
3635	Wire	X	X	X	X	X	X	X	X	X	X	X	X
4601	Jumper												
4602	Jumper												
4603	Jumper												
4604	Jumper												
4618	Jumper												
9647	Wire			X	X	X	X	X	X	X	X	X	X
9692	Wire			X	X	X	X	X	X	X	X	X	X
9693	Wire			X	X	X	X	X	X	X	X	X	X
9694	Wire			X	X	X	X	X	X	X	X	X	X
9695	Wire	X	X	X	X	X	X	X	X	X	X	X	X

С Задняя панель (вариант)

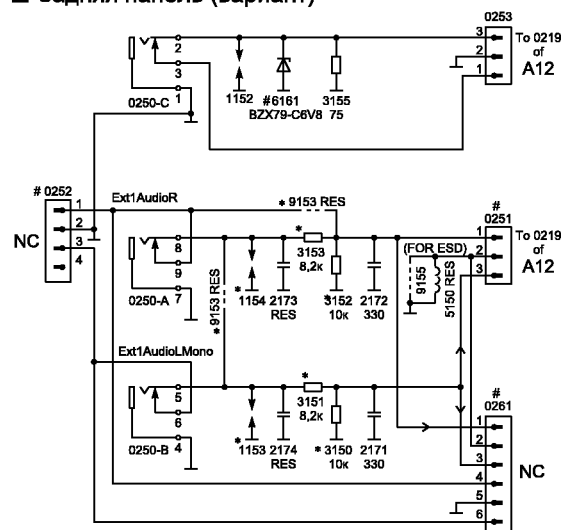


A8 УМЗЧ



Элемент	Значение	1x Mono, X Br	17" Mono, 4Br	21" Mono, 4Br	14" Mono, 1Br, No-Headphone, Smart Sound	20" Mono, 1Br, No-Headphone	21" Mono, 1Br, No-Headphone	14" Mono, 1Br, Headphone	14" Mono, 1Br, No-Headphone, No-Smart Sound	51TA/TB, Mono, 1Br, No-Headphone	37TA/TB, Mono, 1Br, No-Headphone	52TA/TB, Mono, 1Br, Headphone	51TA/TB, Mono, 1Br, Headphone	52TA/TB, Mono, 1Br, Headphone	21" Stereo, Side AV	21" Stereo, Non Side AV
0246	3 Male	X	X	X	X	X	X	X	X	X	X	X	X	X	X	X
0246	5 Male	X	X	X	X	X	X	X	X	X	X	X	X	X	X	X
1831	Chrystal 18,432MГц															
2904	1мк 16В	X	X	X	X	X	X	X	X	X	X	X	X	X	X	X
2904	470н 16В															
2906	470н 16В															
2907	1н 50В	X	X	X	X	X	X	X	X	X	X	X	X	X	X	X
2941	1мк 50В	X	X	X	X	X	X	X	X	X	X	X	X	X	X	X
2941	10мк 50В															
2942	33н 50В	X	X	X	X	X	X	X	X	X	X	X	X	X	X	X
2943	100н 16В	X	X	X	X	X	X	X	X	X	X	X	X	X	X	X
2944	47н 50В	X	X	X	X	X	X	X	X	X	X	X	X	X	X	X
2945	10н 50В	X	X	X	X	X	X	X	X	X	X	X	X	X	X	X
2946	1мк 16В	X	X	X	X	X	X	X	X	X	X	X	X	X	X	X
3903	3,3к														X	X
3903	8,2к	X	X	X	X	X	X	X	X	X	X	X	X	X	X	X
3905	3,3к														X	X
3906	10к														X	X
3921	330к															
3922	330к															
3941	100	X	X	X	X	X	X	X	X	X	X	X	X	X	X	X
3942	3,9к	X	X	X	X	X	X	X	X	X	X	X	X	X	X	X
3943	2,7к	X	X	X	X	X	X	X	X	X	X	X	X	X	X	X
3944	2,7к	X	X	X	X	X	X	X	X	X	X	X	X	X	X	X
3945	1к	X	X	X	X	X	X	X	X	X	X	X	X	X	X	X
3946	18к	X	X	X	X	X	X	X	X	X	X	X	X	X	X	X
3947	330	X	X	X	X	X	X	X	X	X	X	X	X	X	X	X
3948	47к	X	X	X	X	X	X	X	X	X	X	X	X	X	X	X
3949	15к	X	X	X	X	X	X	X	X	X	X	X	X	X	X	X
3950	560	X	X	X	X	X	X	X	X	X	X	X	X	X	X	X
3951	390	X	X	X	X	X	X	X	X	X	X	X	X	X	X	X
4901	Jumper	X	X	X	X	X	X	X	X	X	X	X	X	X	X	X
4902	Jumper															
4903	Jumper														X	X
4904	Jumper															
4921	Jumper															
4921	Jumper									X	X	X	X	X	X	X
7901	AN7522N	X	X	X												X
7902	AN7523N				X	X	X	X	X	X	X	X	X	X	X	X
7941	BC847B	X	X	X	X	X	X	X	X	X	X	X	X	X	X	X
7942	BC847B	X	X	X	X	X	X	X	X	X	X	X	X	X	X	X
7943	BC847B	X	X	X	X	X	X	X	X	X	X	X	X	X	X	X
9901	Wire				X	X	X	X	X	X	X	X	X	X	X	X
9902	Wire				X	X	X	X	X	X	X	X	X	X	X	X
9913	Wire														X	X
9914	Wire														X	X
9921	Wire	X	X	X	X	X	X	X	X	X	X	X	X	X	X	X

Е Задняя панель (вариант)



* For 21" and below	
3150	47к
3151	1к
3152	47к
3153	1к
9152	For mono set w/out front cinch
9153	For mono set w/out front cinch

# For 25" and below	
0251	For Chassis with Rear Scart
0252	For Chassis with Rear Scart
0261	For Chassis with Rear Scart
6161	BZX79-C6V8

A9 Декодер NICAM+2CS

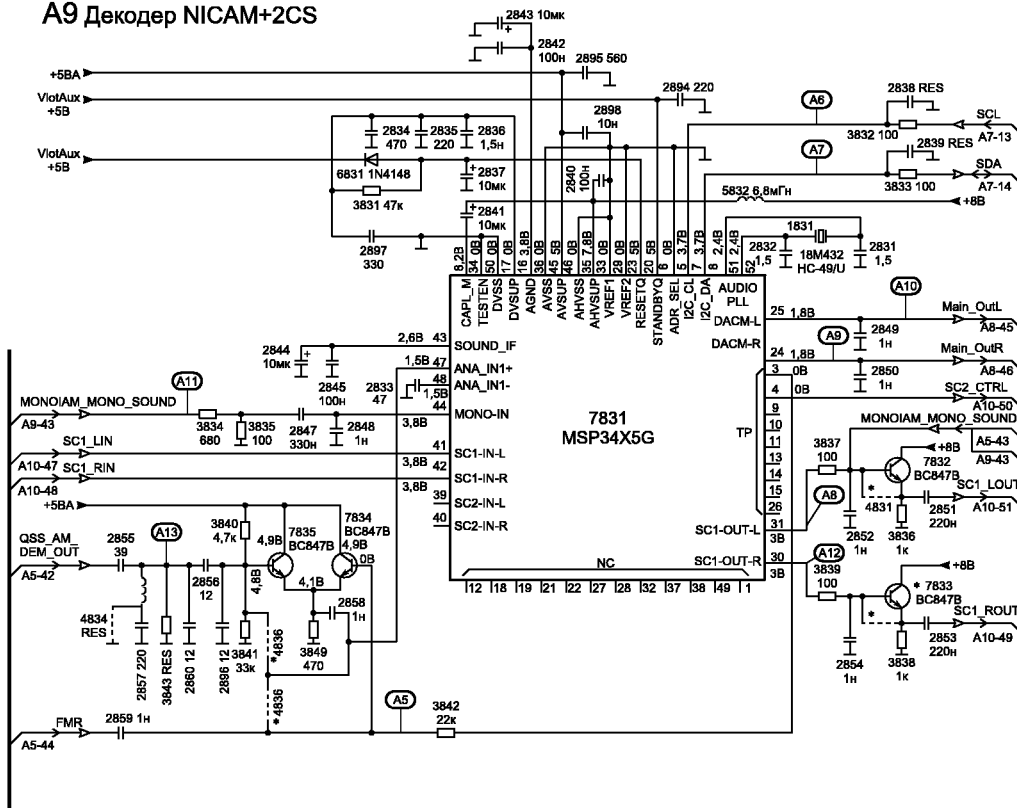


Таблица элементов									
Элемент	Значения	21" Stereo PBQIR	21" Stereo, Side AV, PS81R, PBQIR	21" Stereo, No-Side AV, PBLL, PSQK	21" Stereo, No-Side AV, PBLL	21" Stereo, Side AV, PBLLR	14" Stereo, PS1LR	14" Stereo, PSQKR	Меню 860
2831	1 50B	x	x	x	x	x	x	x	
2832	1 50B	x	x	x	x	x	x	x	
2833	47 50B	x	x	x	x	x	x	x	
2834	47 50B	x	x	x	x	x	x	x	
2835	220 50B	x	x	x	x	x	x	x	
2836	1,5H 50B	x	x	x	x	x	x	x	
2837	4,7мк 50B	x	x	x	x	x	x	x	
2838	47 50B	x	x	x	x	x	x	x	
2839	47 50B	x	x	x	x	x	x	x	
2840	100H 25B	x	x	x	x	x	x	x	
2841	10мк 50B	x	x	x	x	x	x	x	
2842	100H 25B	x	x	x	x	x	x	x	
2843	10мк 50B	x	x	x	x	x	x	x	
2844	10мк 50B	x	x	x	x	x	x	x	
2845	100H 25B	x	x	x	x	x	x	x	
2846	100мк 25B	x	x	x	x	x	x	x	
2847	1мк 50B	x	x	x	x	x	x	x	
2849	1H 50B	x	x	x	x	x	x	x	
2850	1H 50B	x	x	x	x	x	x	x	
2851	4,7мк 10B	x	x	x	x	x	x	x	
2852	1H 50B	x	x	x	x	x	x	x	
2853	4,7мк 10B	x	x	x	x	x	x	x	
2854	1H 50B	x	x	x	x	x	x	x	
2855	27 50B	x	x	x	x	x	x	x	
2856	15 50B	x	x	x	x	x	x	x	
2857	150 50B	x	x	x	x	x	x	x	
2858	1H 50B	x	x	x	x	x	x	x	
2859	1H 50B	x	x	x	x	x	x	x	
2860	56 50B	x	x	x	x	x	x	x	
2861	82 50B	x	x	x	x	x	x	x	
2862	220 50B	x	x	x	x	x	x	x	
2863	560 50B	x	x	x	x	x	x	x	
2864	300 50B	x	x	x	x	x	x	x	
2865	10H 50B	x	x	x	x	x	x	x	
2866	47к	x	x	x	x	x	x	x	
2867	100	x	x	x	x	x	x	x	
2868	100	x	x	x	x	x	x	x	
2869	100 1/6Вт	x	x	x	x	x	x	x	
2870	1к	x	x	x	x	x	x	x	
2871	100	x	x	x	x	x	x	x	
2872	1к	x	x	x	x	x	x	x	
2873	100	x	x	x	x	x	x	x	
2874	4,7к	x	x	x	x	x	x	x	
2875	8,2к	x	x	x	x	x	x	x	
2876	1к	x	x	x	x	x	x	x	
2877	2,2к	x	x	x	x	x	x	x	
2878	470	x	x	x	x	x	x	x	
2879	Jumper								
2880	Jumper								
2881	Jumper								
2882	Jumper								
2883	Jumper								
2884	Jumper								
2885	Jumper								
2886	6мк	x	x	x	x	x	x	x	
2887	6мк	x	x	x	x	x	x	x	
2888	6мк	x	x	x	x	x	x	x	
2889	6мк	x	x	x	x	x	x	x	
2890	12мк	x	x	x	x	x	x	x	
2891	10мк	x	x	x	x	x	x	x	
2892	1N4148	x	x	x	x	x	x	x	
2893	MSP3415G-PCI-BB	x	x	x	x	x	x	x	
2894	BC847B	x	x	x	x	x	x	x	
2895	BC847B	x	x	x	x	x	x	x	
2896	BC847B	x	x	x	x	x	x	x	
2897	BC847B	x	x	x	x	x	x	x	
2898	BC847B	x	x	x	x	x	x	x	
2899	Wire								

A10 Узел выбора источника сигнала

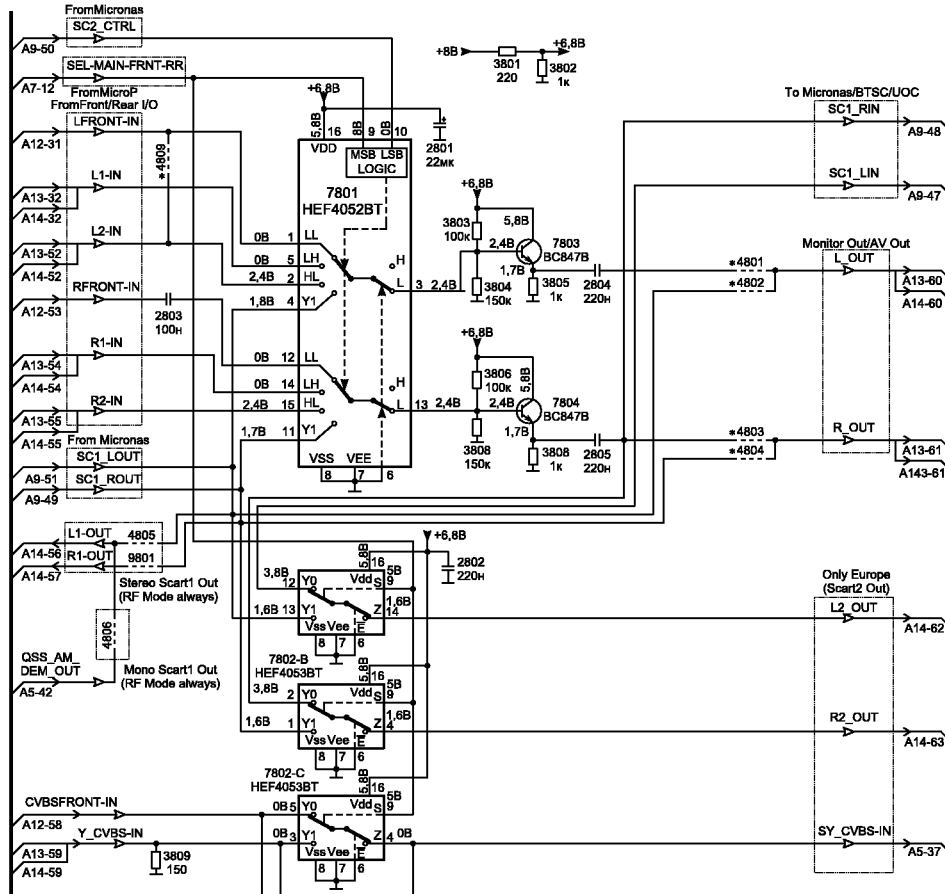
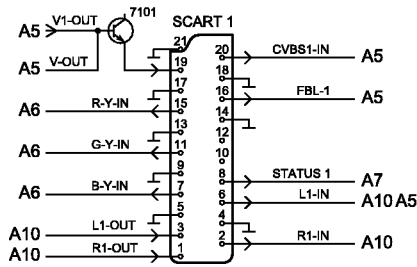
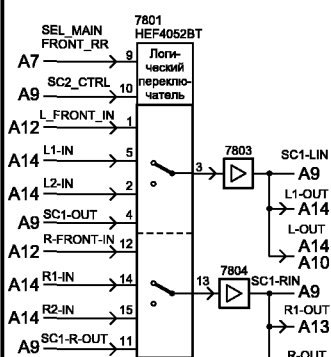


Таблица элементов									
Элемент	Значения	21" Stereo	14" Stereo	14" Mono, Headphones	17" Mono, Headphones	21" Mono, Headphones	14" Mono, No-Headphones	21" Mono, No-Headphones	17" Mono, No-Headphones
2801	22мк 50B	x	x						
2802	220H 25B	x	x						
2803	4,7мк 10B	x	x						
2804	4,7мк 10B	x	x						
2805	4,7мк 10B	x	x						
2806	2,2мк 10B	x	x						
3801	220	x	x						
3802	1к	x	x						
3803	100к	x	x						
3804	82к	x	x						
3805	1к	x	x						
3806	100к	x	x						
3807	82к	x	x						
3808	1к	x	x						
3809	150	x	x						
4801	Jumper	x	x	x	x	x	x	x	x
4802	Jumper	x	x	x	x	x	x	x	x
4803	Jumper	x	x	x	x	x	x	x	x
4804	Jumper	x	x	x	x	x	x	x	x
4805	Jumper	x	x	x	x	x	x	x	x
4806	Jumper	x	x	x	x	x	x	x	x
4807	Jumper	x	x	x	x	x	x	x	x
4808	Jumper								
4809	Jumper								
7801	HEF4052BT	x	x						
7802	HEF4052BT	x	x						
7803	BC847B	x	x						
7804	BC847B	x	x						
9801	Wire	x	x						
9819	Wire	x	x						

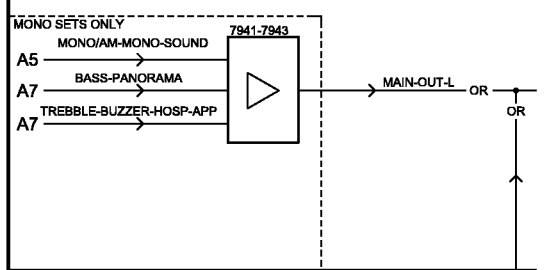
A14 Разъем SCART



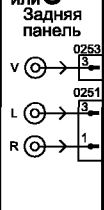
A10 Узел выбора источника сигнала



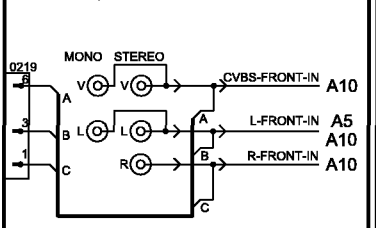
A8 УМЗЧ



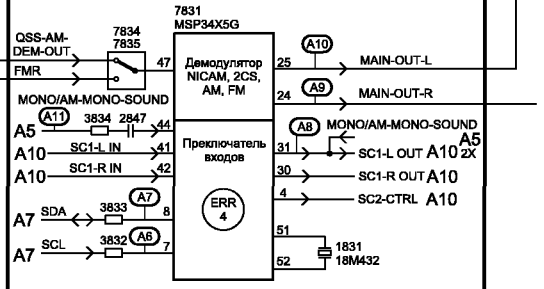
Е или Е1 Задняя панель



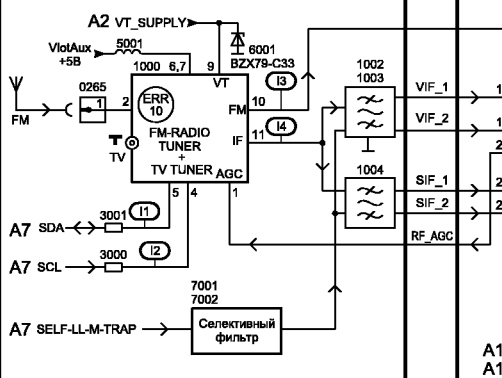
A12 Передняя панель



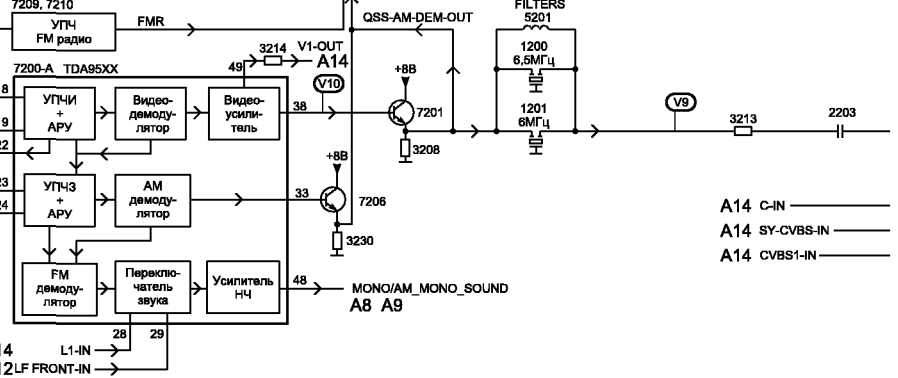
A9 Стереодекодер NICAM+2CS



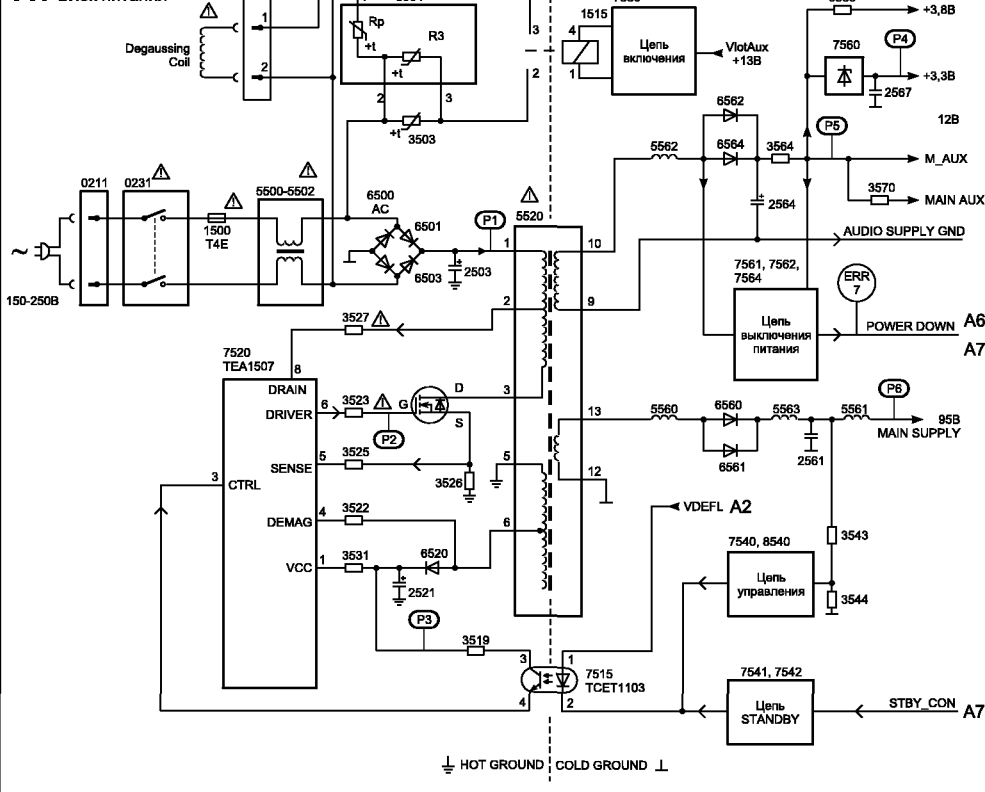
A4 Тюнер



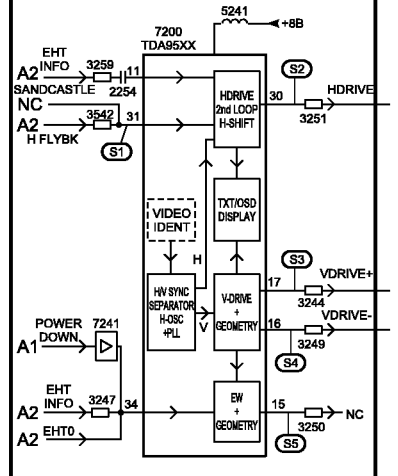
A5 Тракт ПЧ

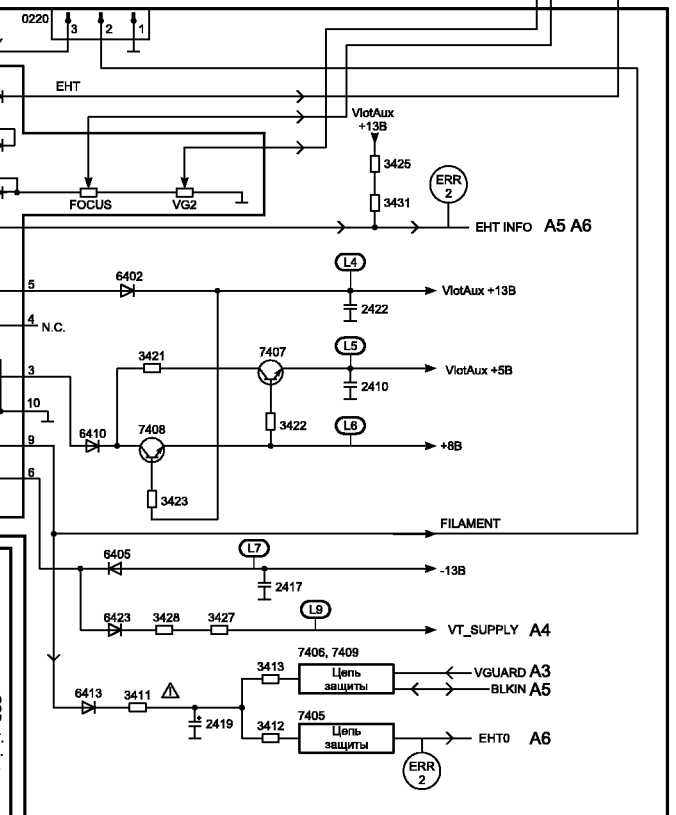
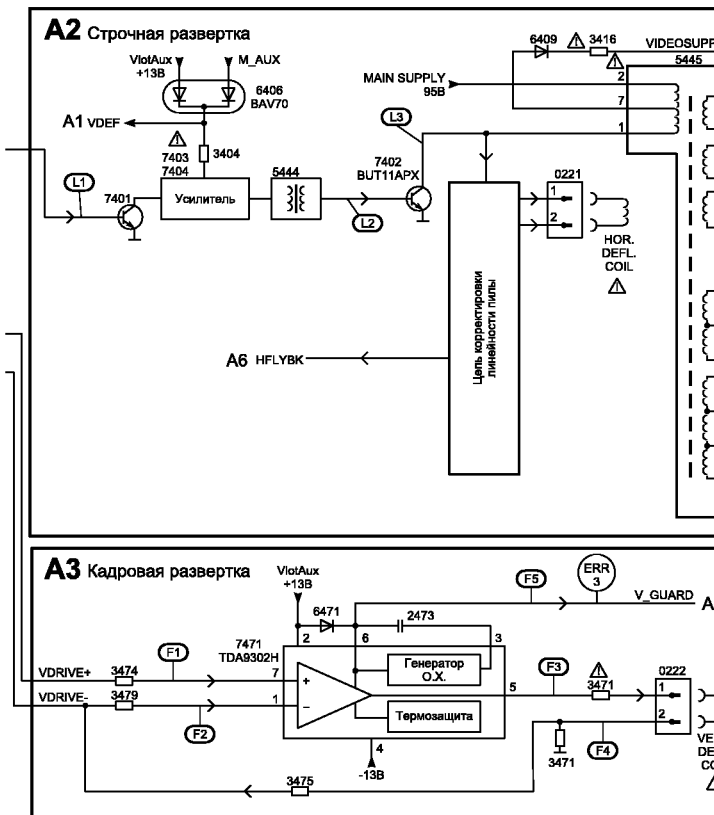
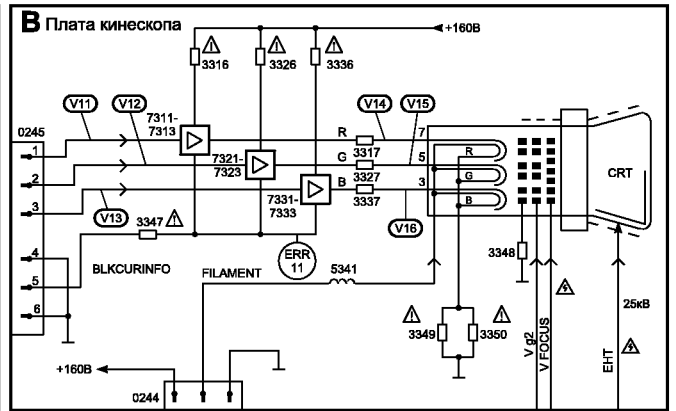
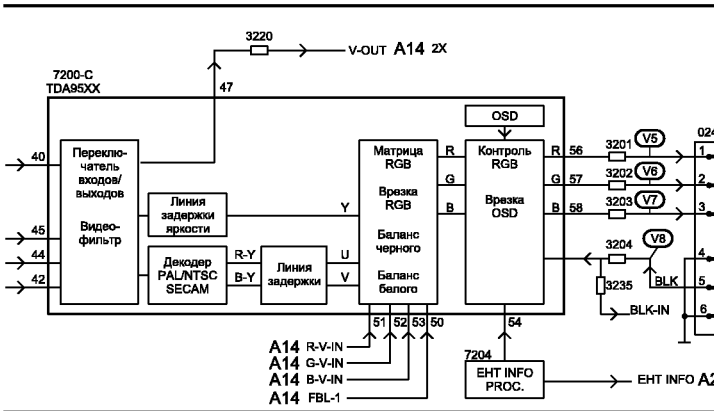
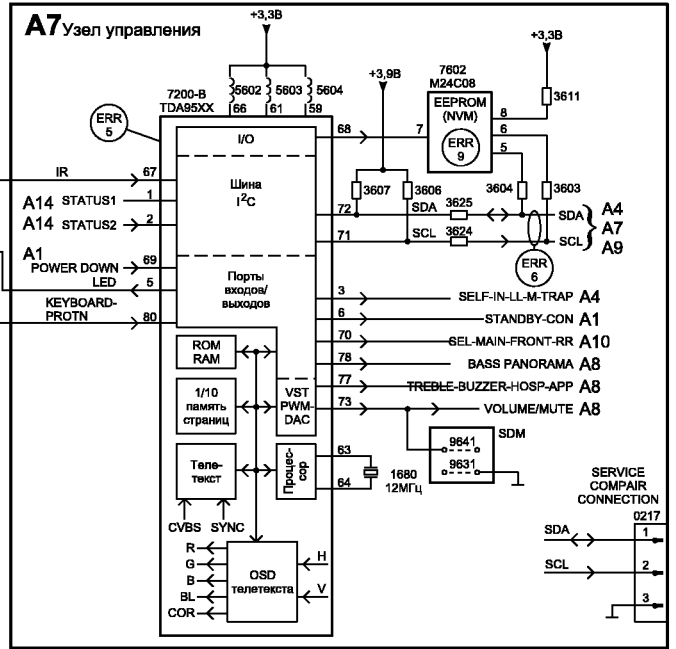
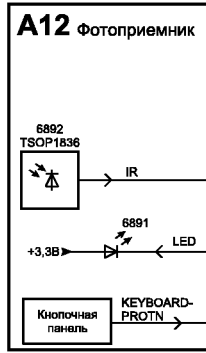
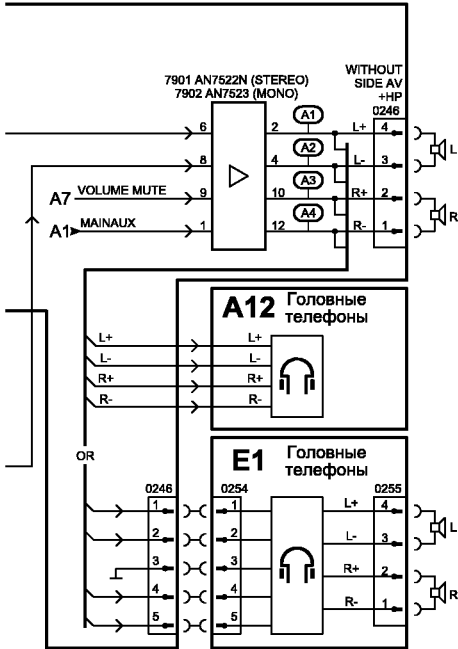


A1 Блок питания

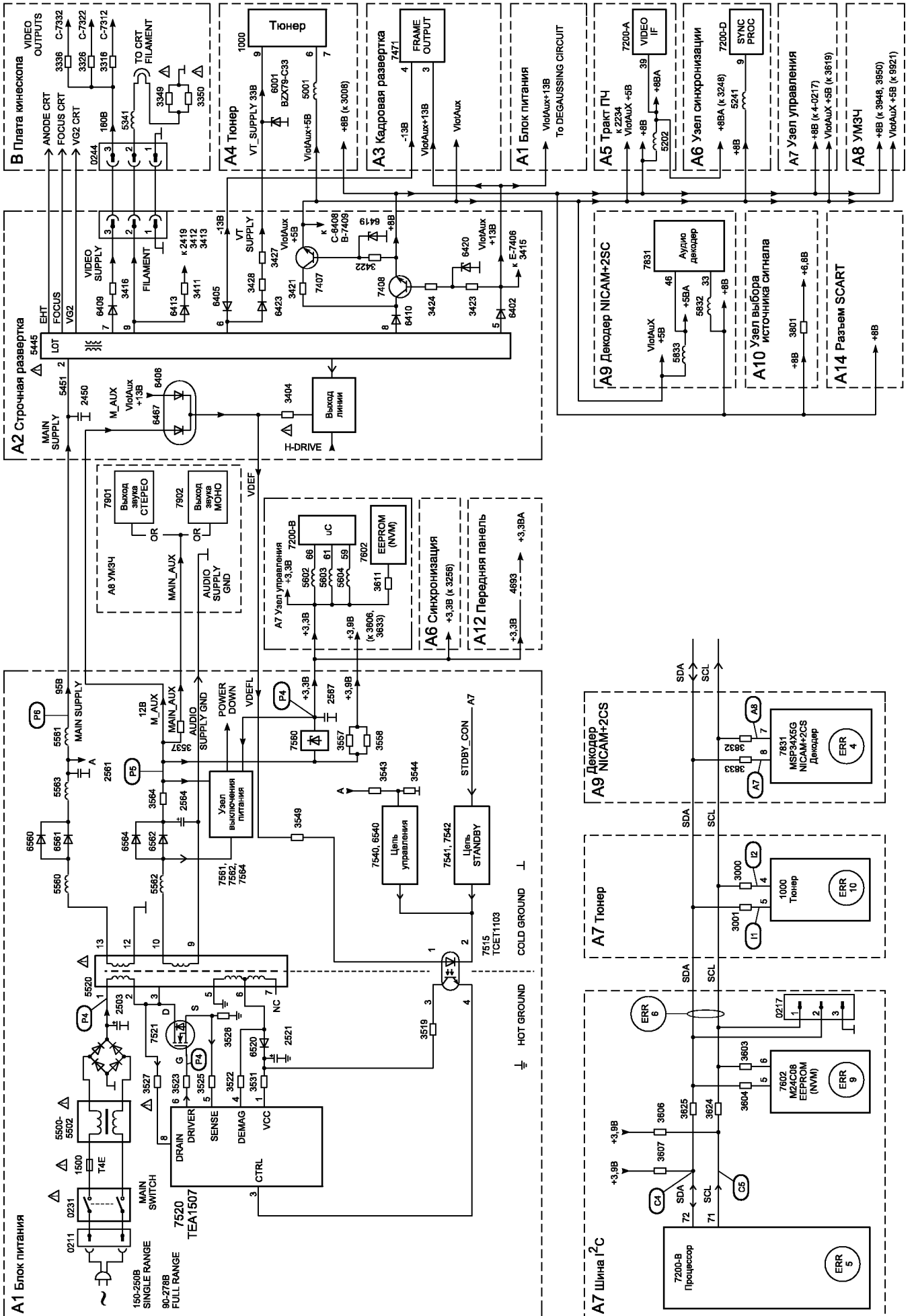


A6 Узел синхронизации

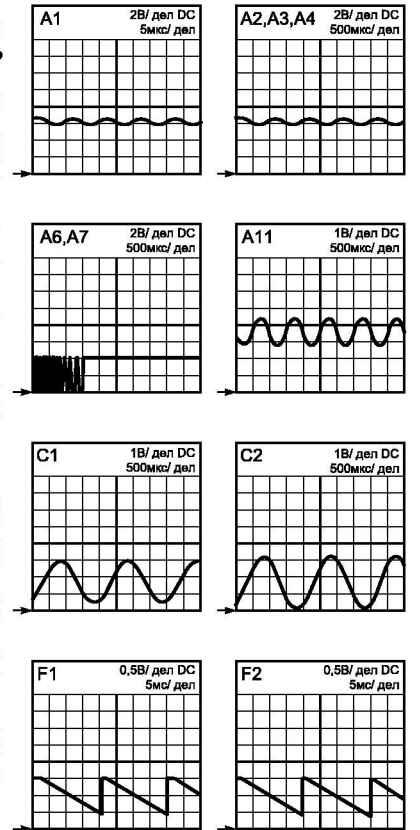
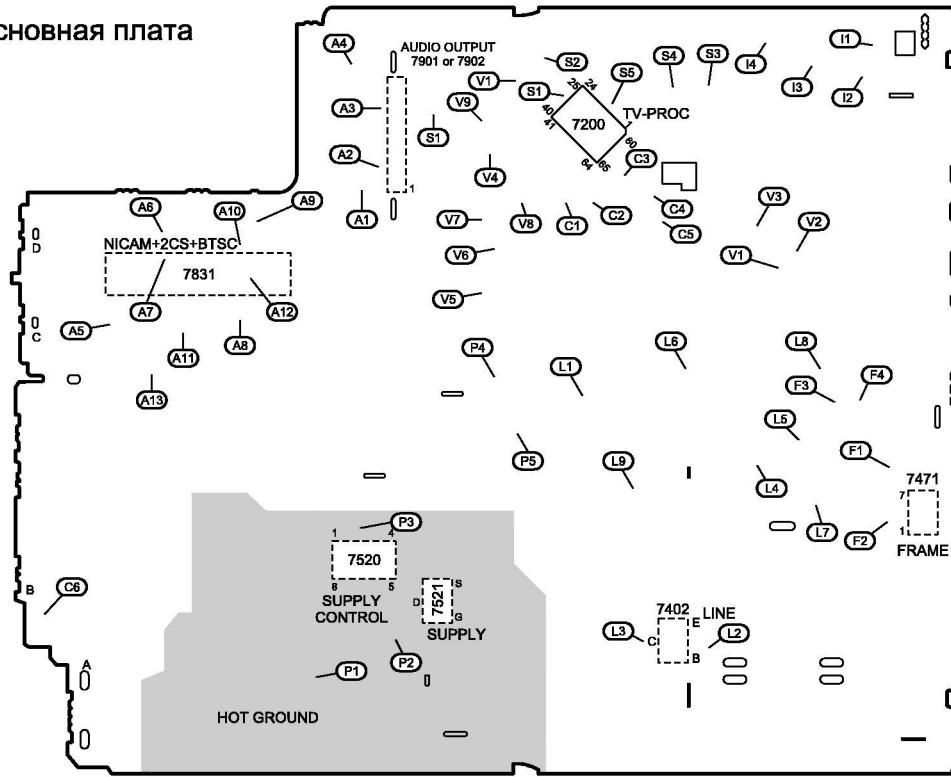




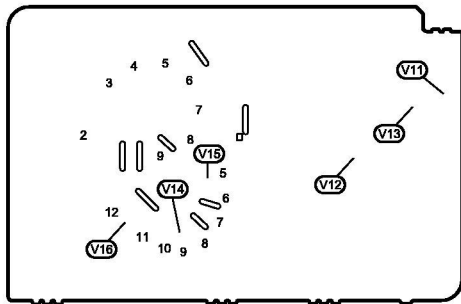
Блок-схема шасси (окончание)



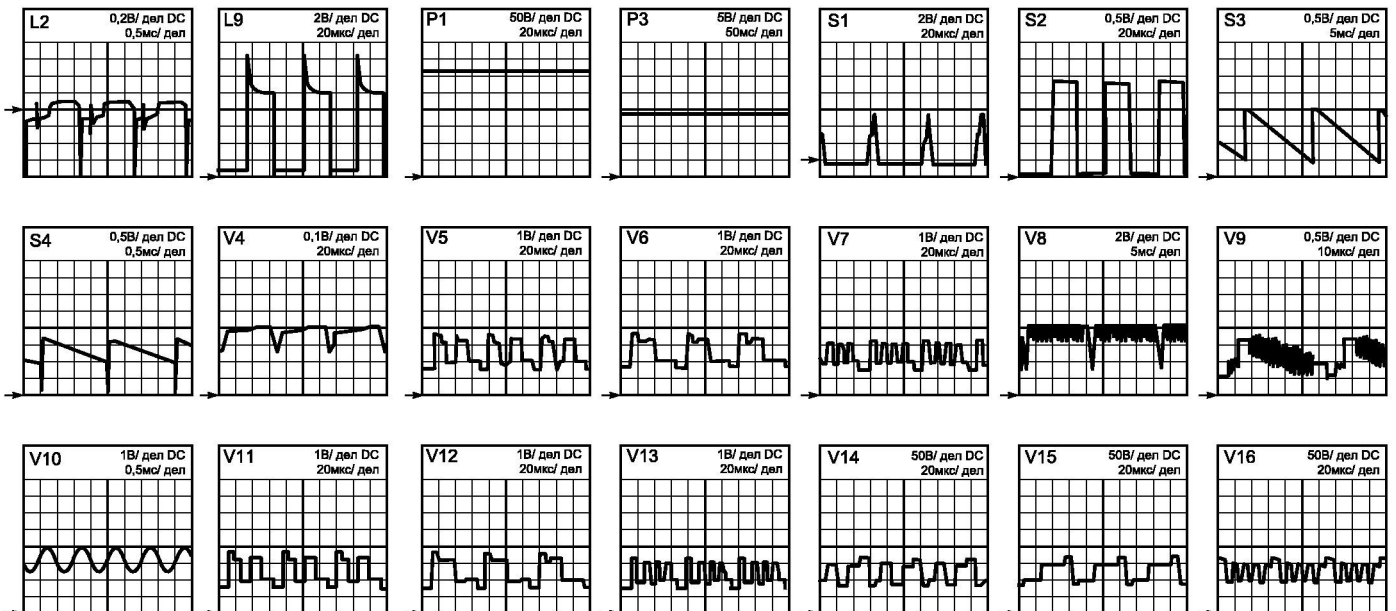
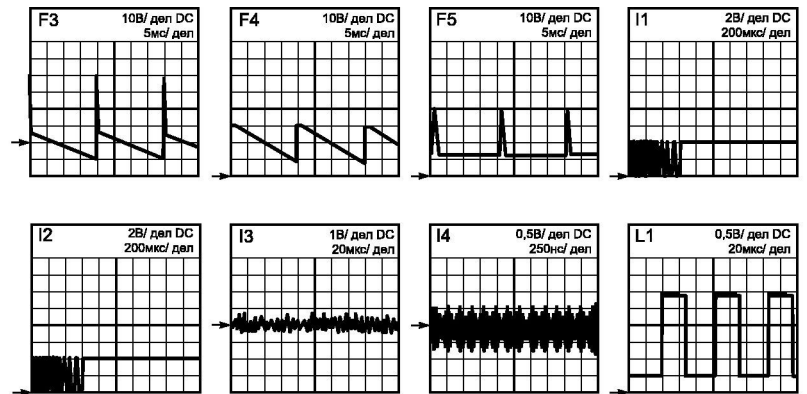
Основная плата



Плата кинескопа



L4 = +13В L7 = -13В
 L5 = +5В L8 = +34В
 L6 = +8В L10 = +176В



В Плата кинескопа

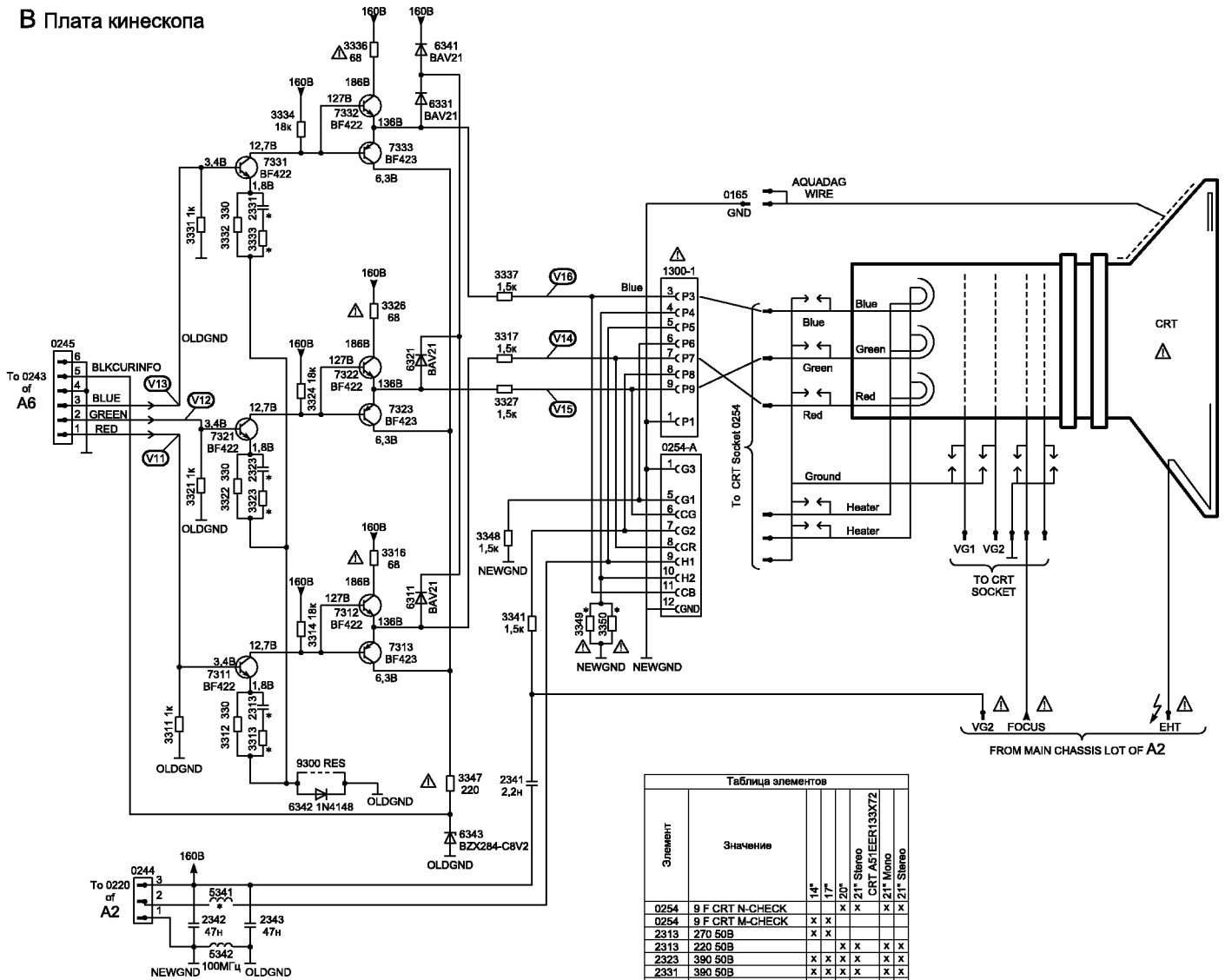


Таблица элементов

Элемент	Значение	14"	17"	20"	21" Stereo CRT A51EER133X72	21" Mono	21" Stereo
0254	9 F CRT N-CHECK	x	x	x	x	x	x
0254	9 F CRT M-CHECK	x	x	x	x	x	x
2313	270 50B	x	x				
2313	220 50B			x	x	x	x
2323	390 50B	x	x	x	x	x	x
2331	390 50B	x	x	x	x	x	x
3313	10	x	x	x	x	x	x
3323	10	x	x	x	x	x	x
3333	10	x	x	x	x	x	x
3349	1			x			
3349	1,5	x	x	x			
3349	1,8				x	x	
3350	1				x	x	
3350	1,5	x	x	x			
3350	1,8				x	x	
5341	4,7мк	x					
5341	22мк				x		
5341	1мк				x		
5341	15мк				x	x	
5341	12мк			x			

