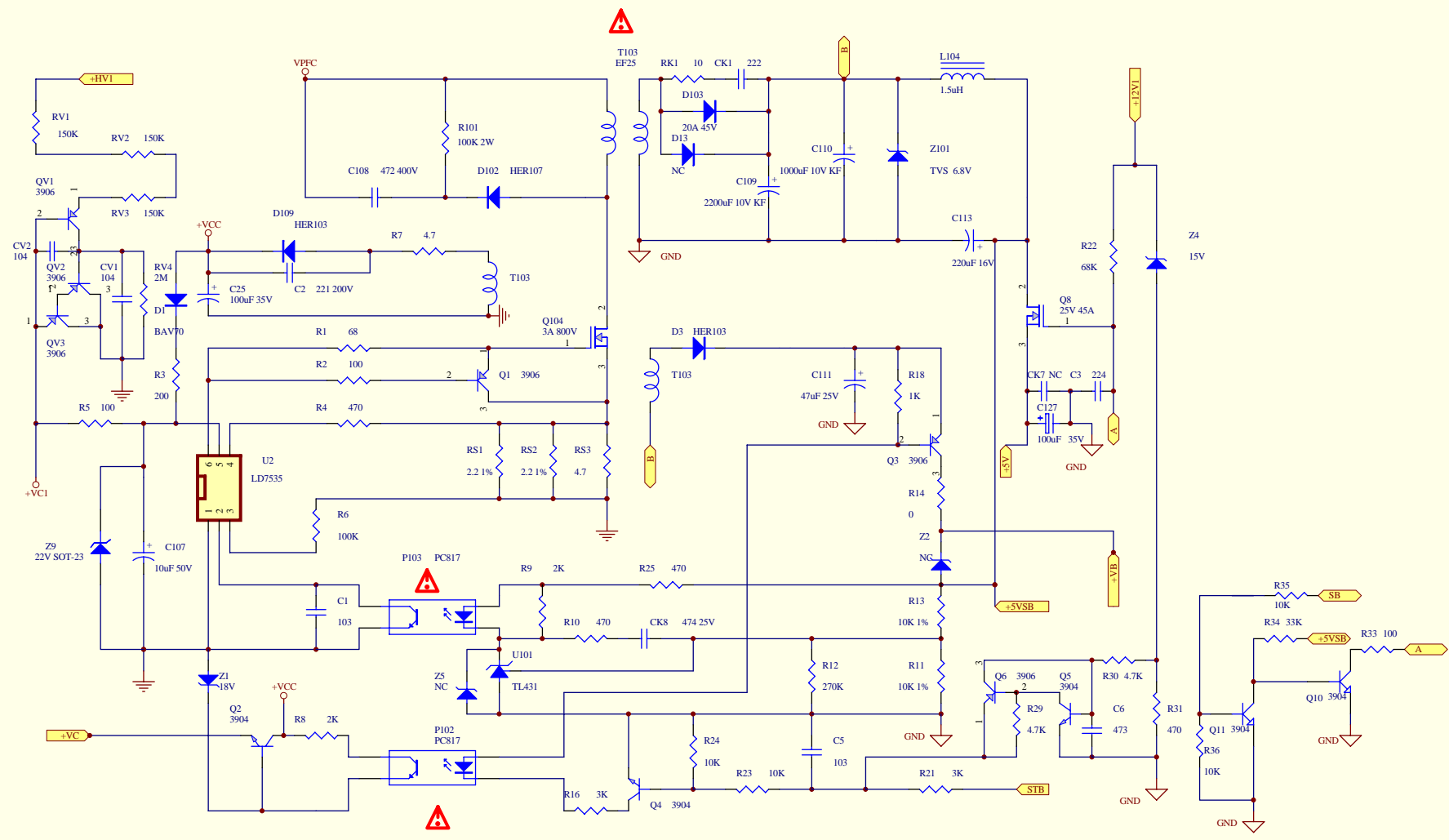
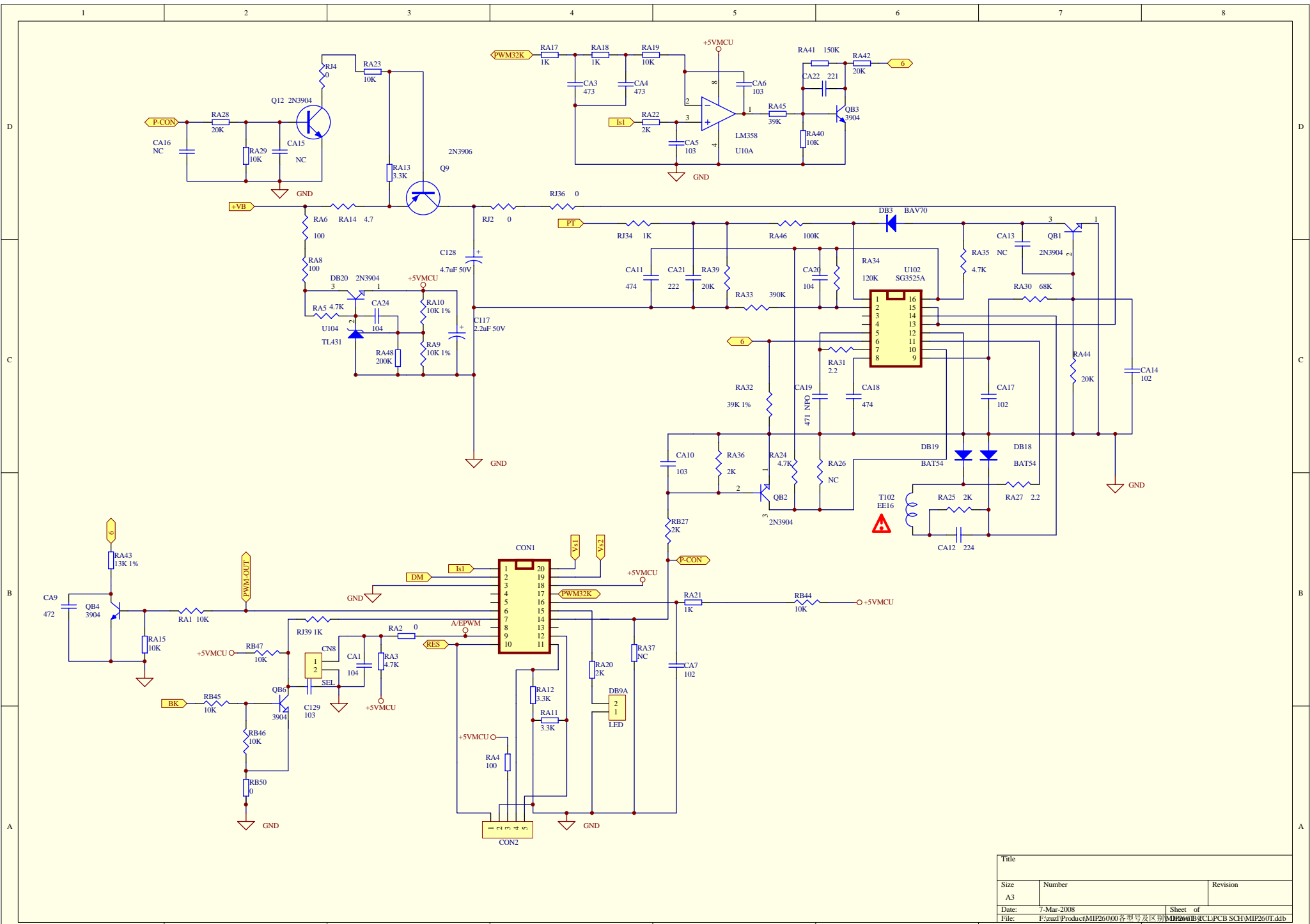


Title		
Size	Number	Revision
A4		
Date:	7-Mar-2008	Sheet of
File:	F:\zuzi\Product\MIP260\00各型号及区别\PCB\MIP260T.ddb	

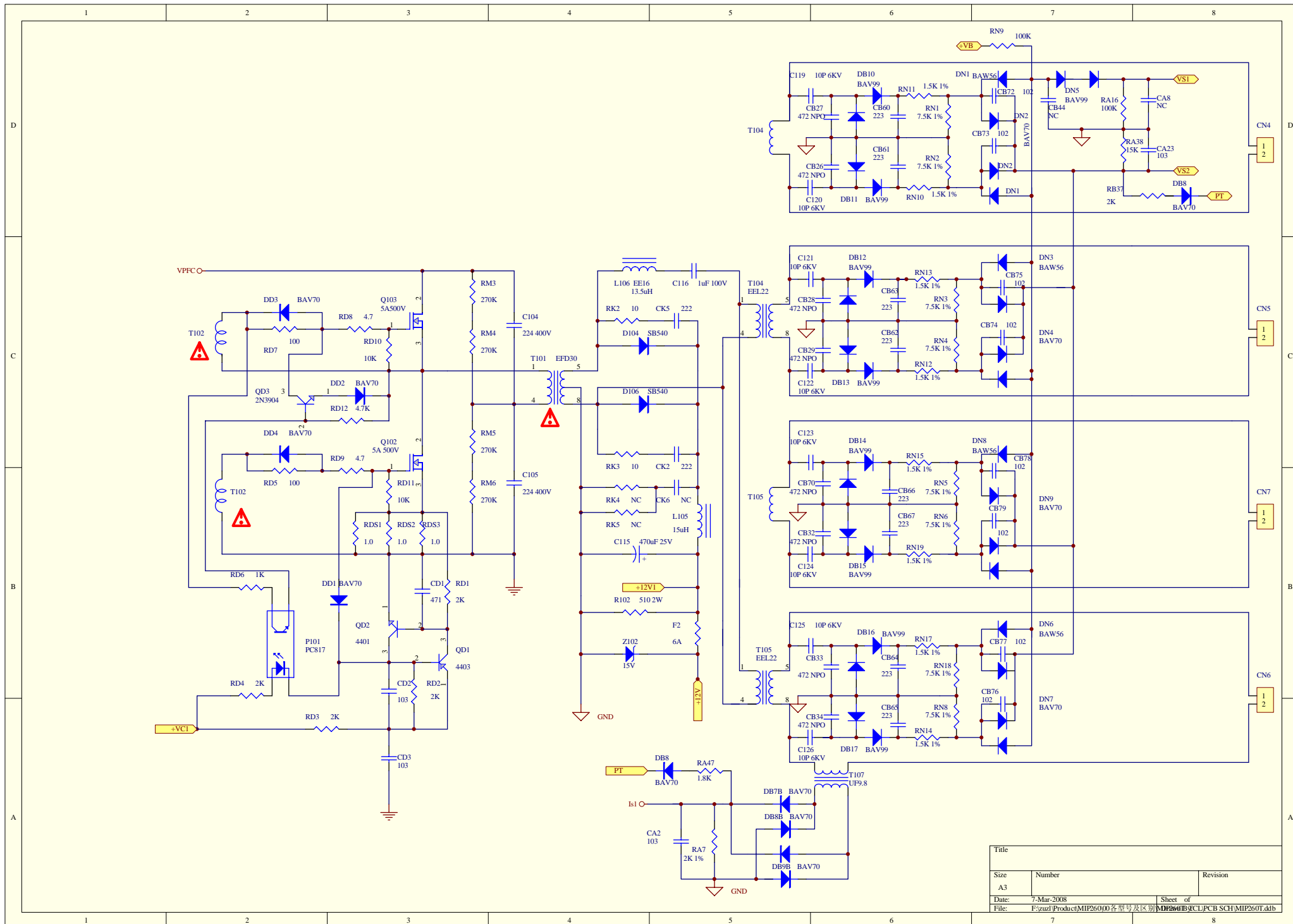
CN3			
+12V	1	2	+12V
GND	3	4	GND
+5V	5	6	+5V
GND	7	8	-5V
GND	9	10	GND
+5VSB	11	12	-5VSB
GND	13	14	STB
DM	15	16	BK



Title		
Size	Number	Revision
A3		
Date:	7-Mar-2008	Sheet of
File:	F:\zuzi\Product\MIP26000各型号及区别	MDP26000B-PCB SCH1\MIP260T.dtb



Title		
Size	Number	Revision
A3		
Date:	7-Mar-2008	Sheet of
File:	F:\uzi\Product\MIP26000各型号及区别	MDP26000B\PCB SCH\MIP260T.dib



Title		
Size	Number	Revision
A3		
Date:	7-Mar-2008	Sheet of
File:	F:\zuzi\Product\MIP26000各型号及区别	MDP26000B-PCB SCH\MIP260T.dtb