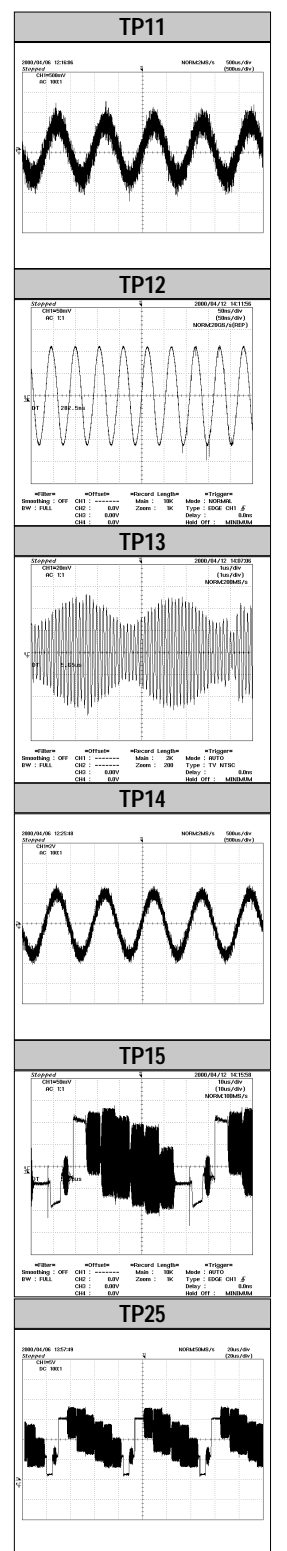
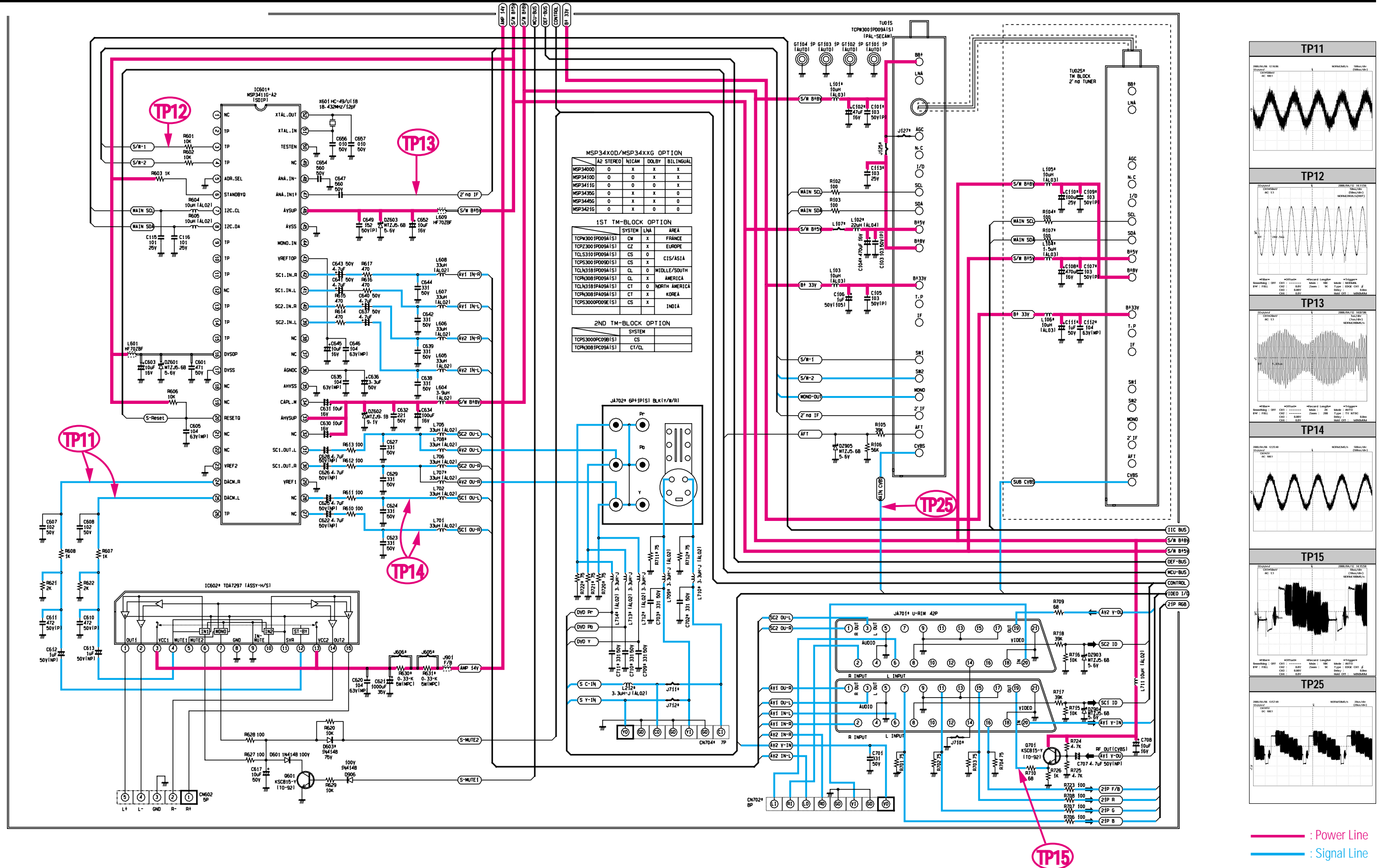
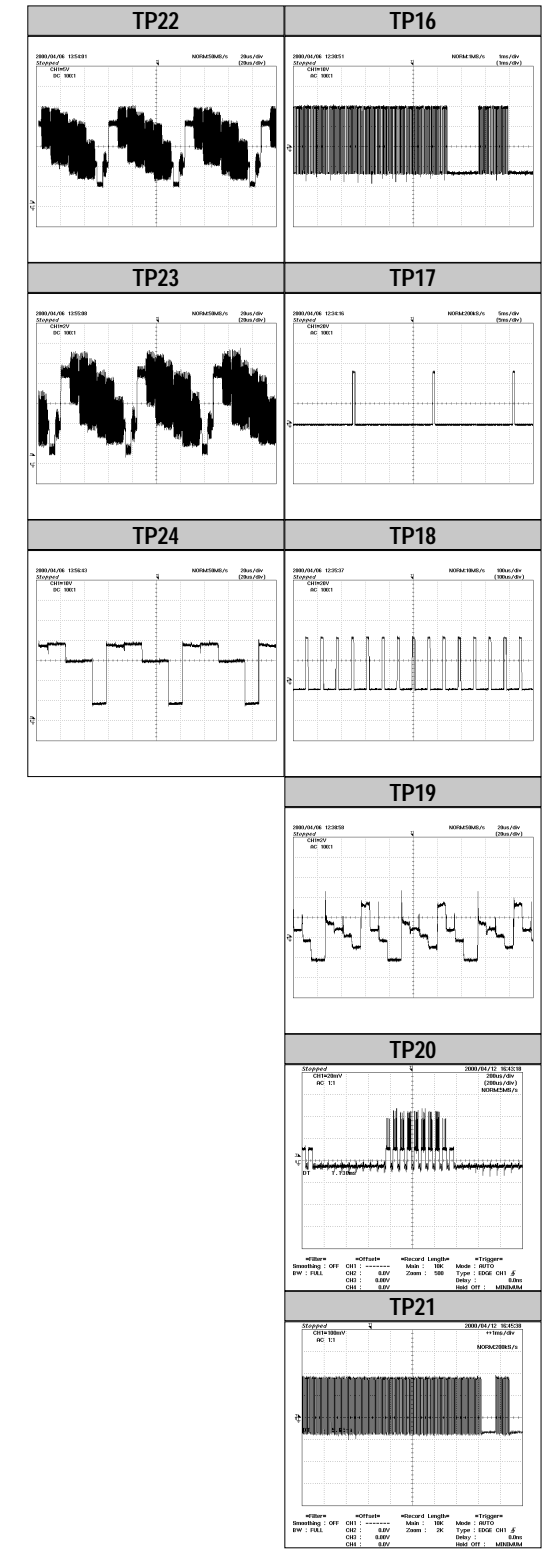
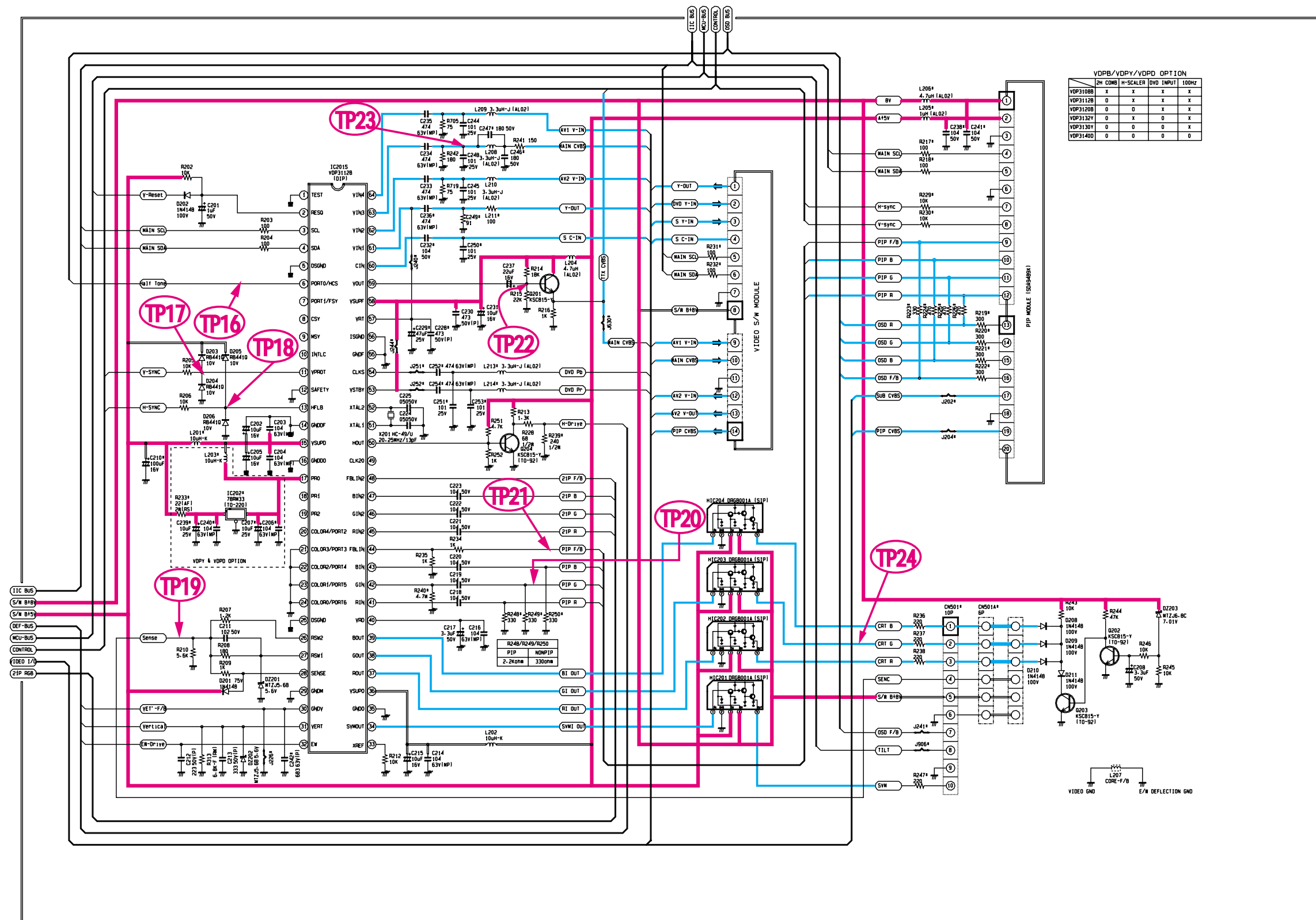


10-2 MAIN 2

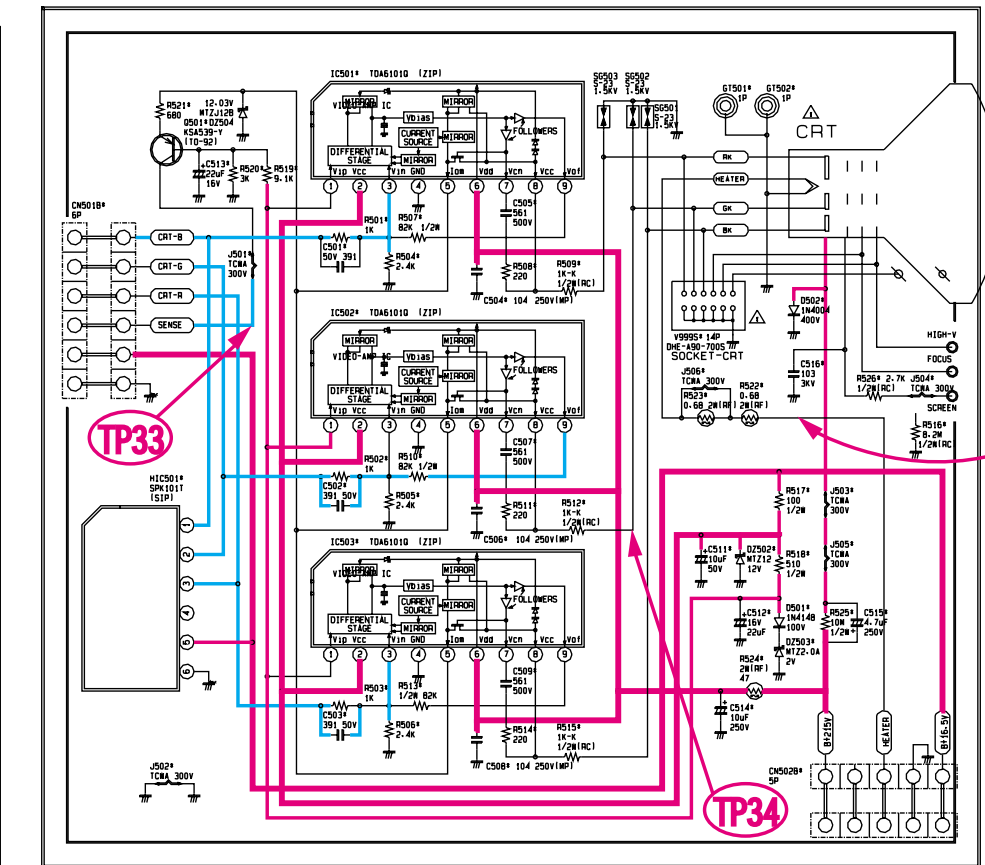
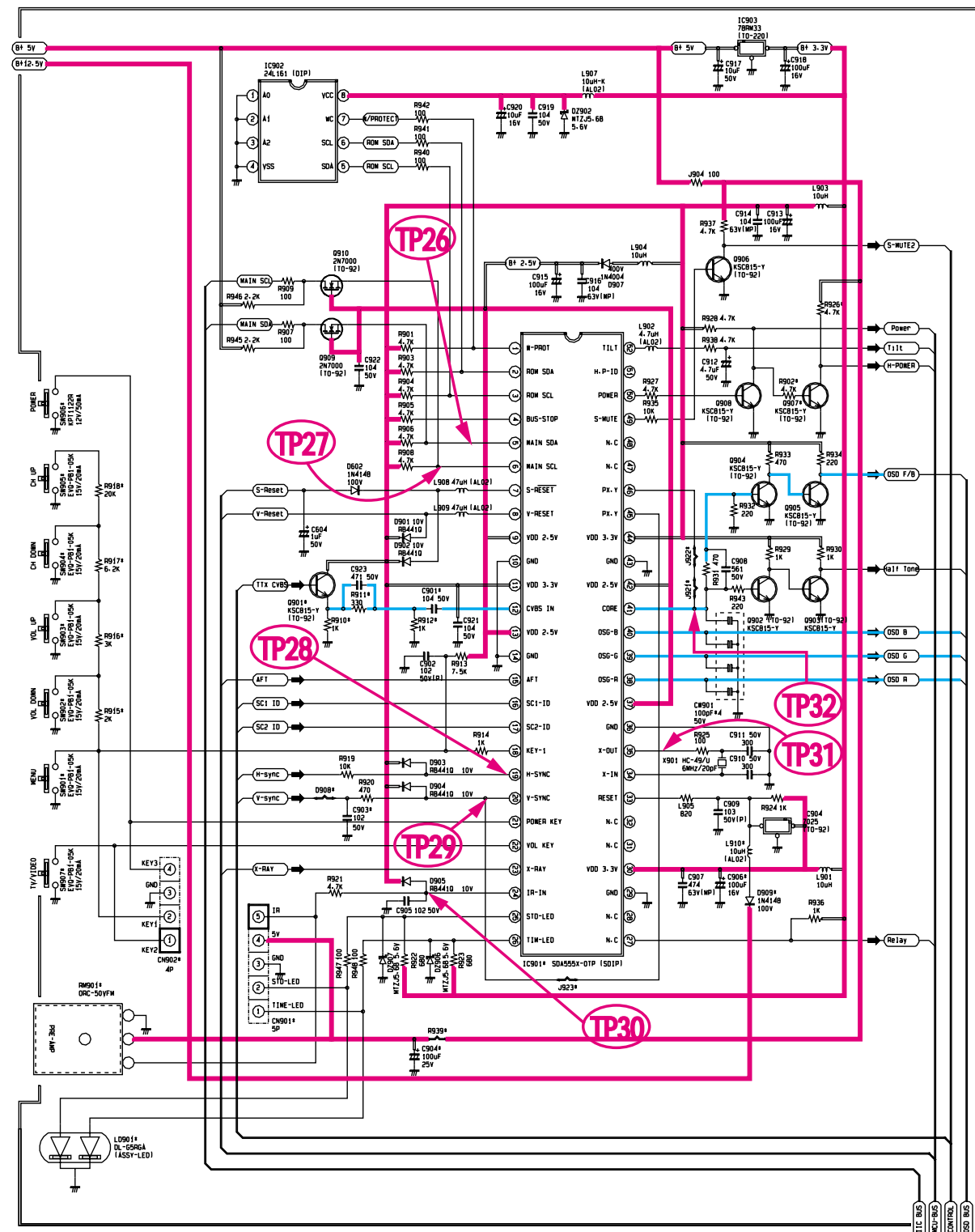


Power Line
Signal Line

10-3 MAIN3



10-4 MAIN 4



KS3A MAIN SCHEMATIC DIAGRAM

CAPACITOR	
Ceramic - SL	No Mark
Ceramic - RH	(RM)
Ceramic - CH	(CM)
Polyester/Inductl	(CP)
Polyester/Noninductl	(PM)
Polypropylene	(PP)
Metal Polyester	(MP)
M. P. Polypropylene	(MPP)
Tantalum	(T)
Non Polar	(NP)

RESISTOR	
Carbon	No Mark
Composition	(CR)
Metal Oxide	(OR)
Metal Film	(FR)
Fusible	(F)
Cement-Wire	(WR)
Network	(NR)

NOTE

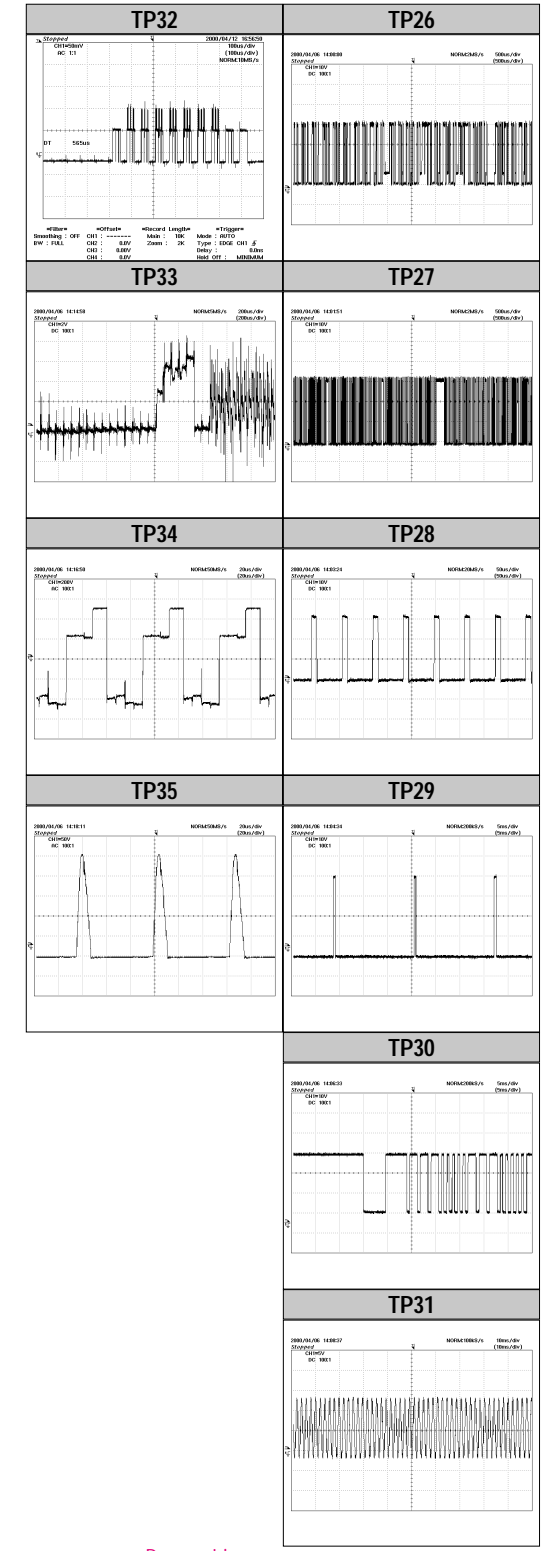
1. Resistance is shown in one K=1,000 M=1,000,000
2. Unless otherwise noted in schematic all capacitor values less than 1 are expressed in μ F, and the values more than 1 in μ F.
3. Unless otherwise noted in schematic all inductor values more than 1 are expressed in μ H.
4. Voltage reads with v.t.v.m (input impedance 21 M Ω /all range) from point indicated to chassis ground using a color bar signal with all controls at normal line voltage 100 volts.
5. Waveforms in chrominance circuit are taken receiving a color bar signal with enough sensitivity.
6. Waveforms in other circuit are taken using an signal under normal receiving conditions.
7. Voltage readings shown are normal values and may vary 20% except H.V.
8. This is fundamental circuit diagram some production changes may be made without revision of the diagram.
9. The circuits enclose in dotted lines are optional parts. (O)

WARNING BEFORE SERVICING THIS CHASSIS READ THE "X-RAY RADIATION PRECAUTION" "SAFETY PRECAUTION" AND "PRODUCT SAFETY NOTICE" IN MANUAL.

CAUTION The shaded area in the schematic diagram and the parts list designate components which have special characteristics important for safety and should be replaced only with types identical to those in the original circuit of specified in the parts list. Before replacing any of these components, read carefully the "PRODUCT SAFETY NOTICE" in this manual. Do not degrade the safety of the receiver through improper servicing.

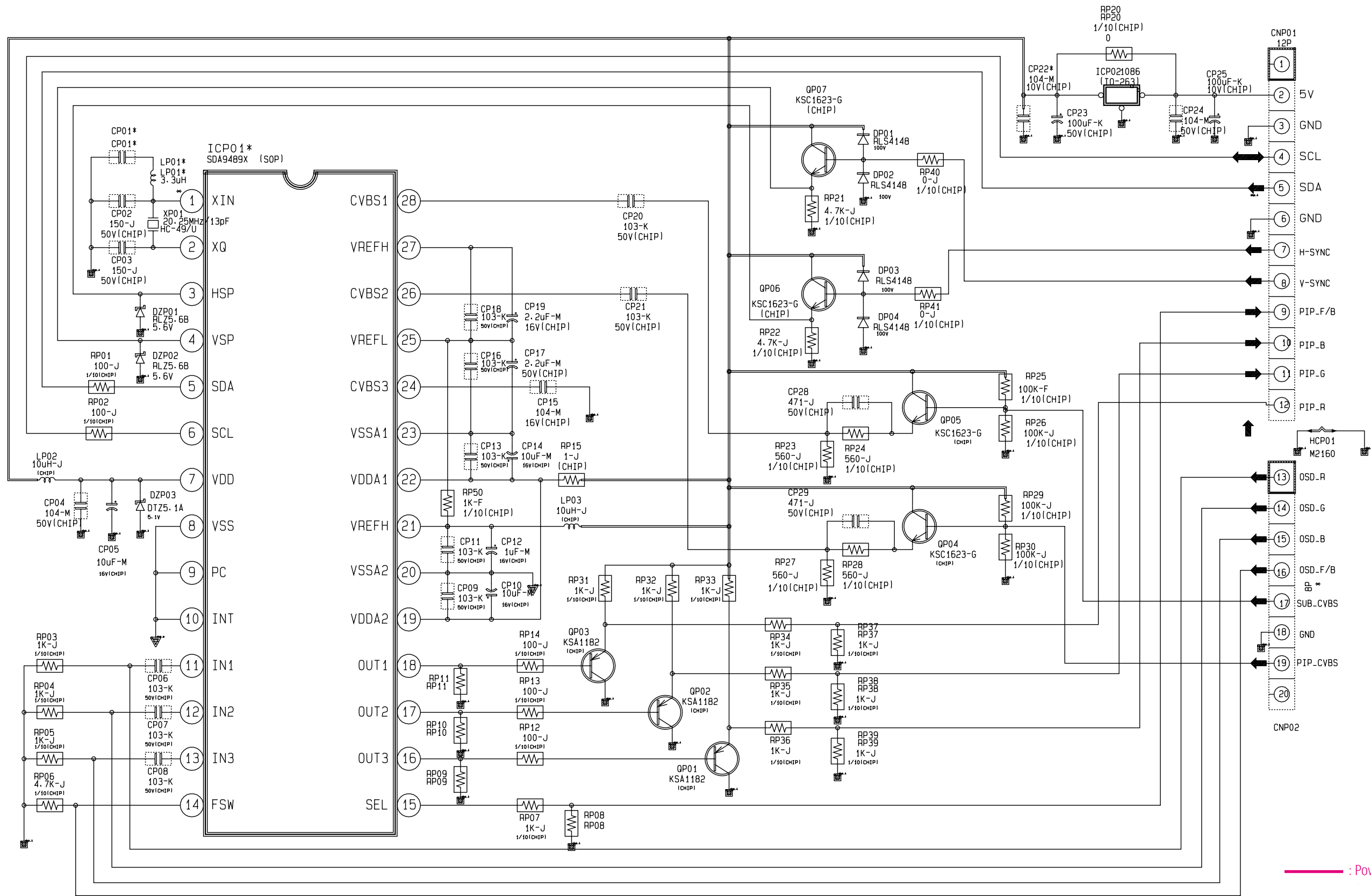
FILE NAME : MAIN

JOB-NO	TEAM	NODE	DESIGN	OPER	EDIT
Dream	KS3A	NC7	Y-K	KJM	2000/06/22



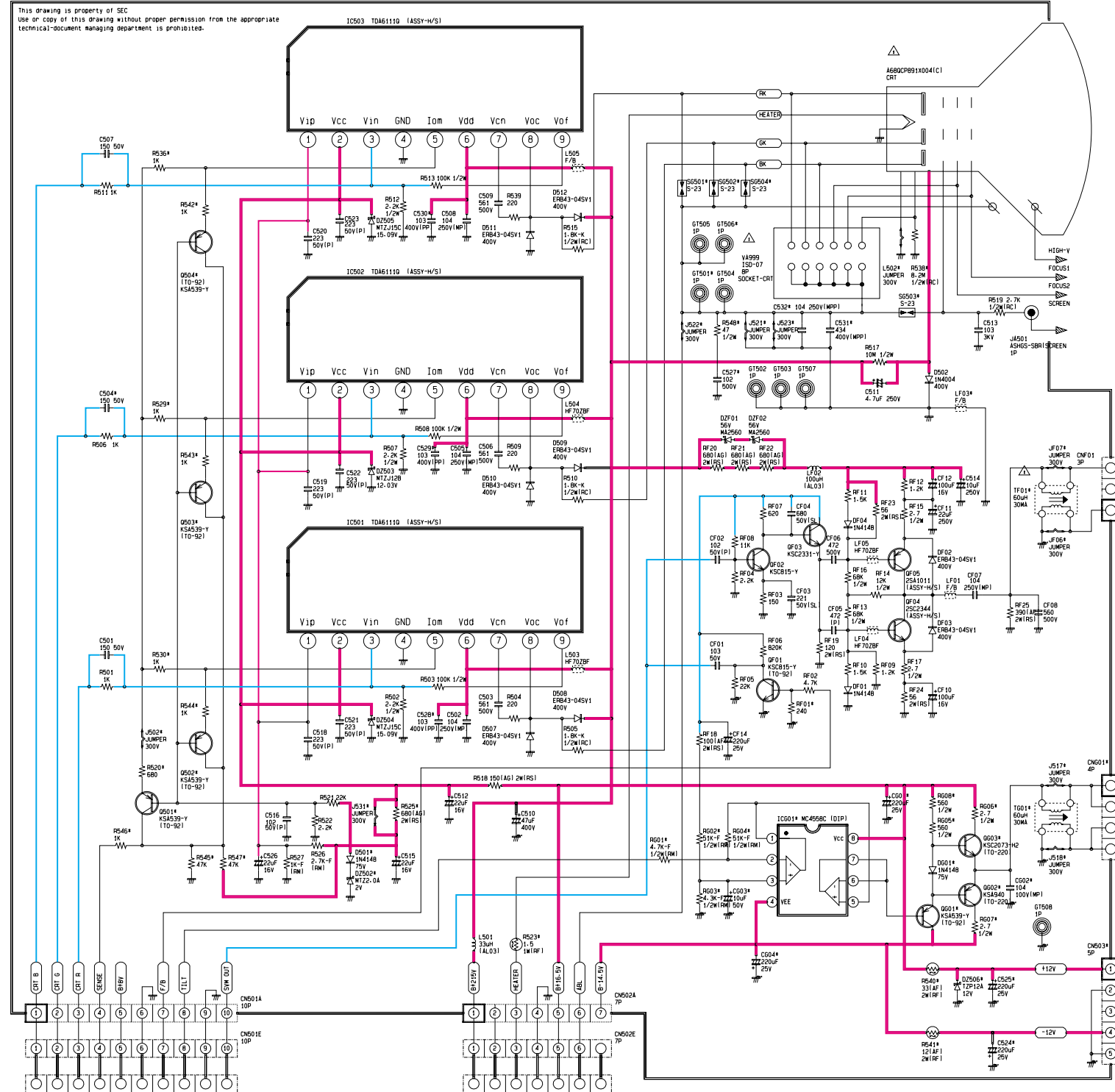
— : Power Line
 — : Signal Line

10-5 PIP



10-6 CRT, SWITCH

CRT



SWITCH

