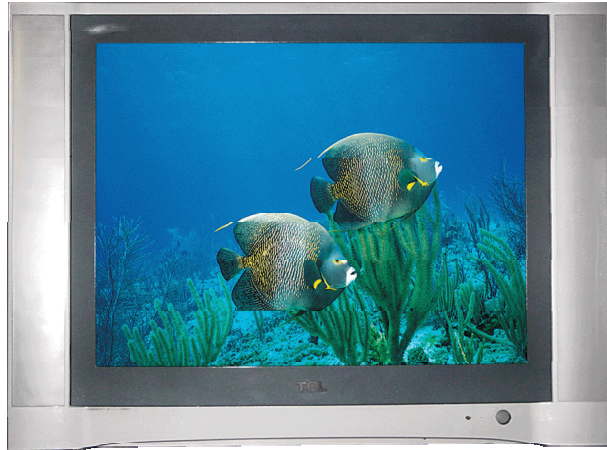


# TRANSONIC

# SERVICE MANUAL

---

---



**TC1631TV**

---

---

<b>1. Caution.....</b>	<b>2</b>
<b>2. Specification.....</b>	<b>6</b>
<b>3. BOM List .....</b>	<b>13</b>
<b>4. Alignment Procedure.....</b>	<b>33</b>
<b>5. Block Diagram.....</b>	<b>40</b>
<b>6. Schematic Diagram.....</b>	<b>41</b>
<b>7. PCB Layout.....</b>	<b>42</b>
<b>8. Explode View Diagram.....</b>	<b>43</b>

---

---

This manual is the latest at the time of printing, and does not include the modification which may be made after the printing, by the constant improvement of product.

**CAUTION:**

Use of controls, adjustments or procedures other than those specified herein may result in hazardous radiation exposure.

---



**CAUTION**  
**RISK OF ELECTRIC SHOCK DO NOT OPEN.**



CAUTION: TO REDUCE THE RISK OF ELECTRICAL SHOCK, DO NOT REMOVE COVER (OR BACK). NO USER SERVICEABLE PARTS INSIDE. REFER SERVICING TO QUALIFIED SERVICE PERSONNEL.

---



The lightning flash with arrowhead symbol, with an equilateral triangle is intended to alert the user to the presence of uninsulated “dangerous voltage” within the product’s enclosure that may be of sufficient magnitude to constitute a risk of electric shock to the person.

---



The exclamation point within an equilateral triangle is intended to alert the user to the presence of important operating and maintenance (servicing) instructions in the literature accompanying the appliance.

---

**WARNING: TO REDUCE RISK OF FIRE OR ELECTRIC SHOCK, DO NOT EXPOSE THIS APPLIANCE TO RAIN OR MOISTURE.**

# **IMPORTANT SAFETY INSTRUCTIONS**

## **CAUTION:**

**Read all of these instructions. Save these instructions for later use. Follow all Warnings and Instructions marked on the audio equipment.**

1. Read Instructions- All the safety and operating instructions should be read before the product is operated.
2. Retain Instructions- The safety and operating instructions should be retained for future reference.
3. Heed Warnings- All warnings on the product and in the operating instructions should be adhered to.
4. Follow Instructions- All operating and use instructions should be followed.

## **FOR YOUR PERSONAL SAFETY**

1. When the power cord or plug is damaged or frayed, unplug this television set from the wall outlet and refer servicing to qualified service personnel.
2. Do not overload wall outlets and extension cords as this can result in fire or electric shock.
3. Do not allow anything to rest on or roll over the power cord, and do not place the TV where power cord is subject to traffic or abuse. This may result in a shock or fire hazard.
4. Do not attempt to service this television set yourself as opening or removing covers may expose you to dangerous voltage or other hazards. Refer all servicing to qualified service personnel.
5. Never push objects of any kind into this television set through cabinet slots as they may touch dangerous voltage points or short out parts that could result in a fire or electric shock. Never spill liquid of any kind on the television set.
6. If the television set has been dropped or the cabinet has been damaged, unplug this television set from the wall outlet and refer servicing to qualified service personnel.
7. If liquid has been spilled into the television set, unplug this television set from the wall outlet and refer servicing to qualified service personnel.
8. Do not subject your television set to impact of any kind. Be particularly careful not to damage the picture tube surface.
9. Unplug this television set from the wall outlet before cleaning. Do not use liquid cleaners or aerosol cleaners. Use a damp cloth for cleaning.
- 10.1. Do not place this television set on an unstable cart, stand, or table. The television set may fall, causing serious injury to a child or an adult, and serious damage to the appliance. Use only with a cart or stand recommended by the manufacturer, or sold with the television set. Wall or shelf mounting should follow the manufacturer's instructions, and should use a mounting kit approved by the manufacturer.
- 10.2. An appliance and cart combination should be moved with care. Quick stops, excessive force, and uneven surfaces may cause the appliance and cart combination to overturn.



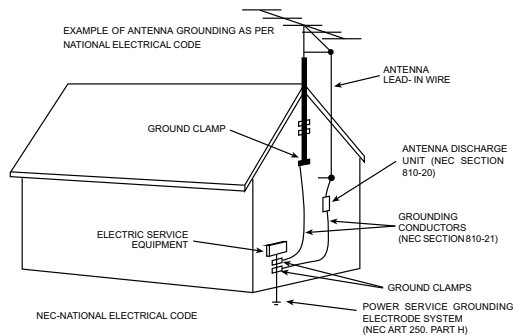
## **PROTECTION AND LOCATION OF YOUR SET**

11. • Do not use this television set near water ... for example, near a bathtub, washbowl, kitchen sink, or laundry tub, in a wet basement, or near a swimming pool, etc.
  - Never expose the set to rain or water. If the set has been exposed to rain or water, unplug the set from the wall outlet and refer servicing to qualified service personnel.
12. Choose a place where light (artificial or sunlight) does not shine directly on the screen.
13. Avoid dusty places, since piling up of dust inside TV chassis may cause failure of the set when high humidity persists.
14. The set has slots, or openings in the cabinet for ventilation purposes, to provide reliable operation of the receiver, to protect it from overheating. These openings must not be blocked or covered.
  - Never cover the slots or openings with cloth or other material.
  - Never block the bottom ventilation slots of the set by placing it on a bed, sofa, rug, etc.
  - Never place the set near or over a radiator or heat register.
  - Never place the set in a "built-in" enclosure, unless proper ventilation is provided.

## **PROTECTION AND LOCATION OF YOUR SET**

- 15.1. If an outside antenna is connected to the television set, be sure the antenna system is grounded so as to provide some protection against voltage surges and built up static charges, Section 810 of the National Electrical Code, NFPA No. 70-1975, provides information with respect to proper grounding of the mast and supporting structure, grounding of the lead-in wire to an antenna discharge unit, size of grounding conductors, location of antenna discharge unit, connection to grounding electrode, and requirements for the grounding electrode.

### **EXAMPLE OF ANTENNA GROUNDING AS PER NATIONAL ELECTRICAL CODE INSTRUCTIONS**



- 15.2. Note to CATV system installer : (Only for the television set with CATV reception)

This reminder is provided to call the CATV system installer's attention to Article 820-40 of the NEC that provides guidelines for proper grounding and, in particular, specifies that the cable ground shall be connected to the grounding system of the building, as close to the point of cable entry as practical.

16. An outside antenna system should not be located in the vicinity of overhead power lines or other electric lights or power circuits, or where it can fall into such power lines or circuits. When installing an outside antenna system, extreme care should be taken to keep from touching such power lines or circuits as contact with them might be fatal.
17. For added protection for this television set during a lightning storm, or when it is left unattended and unused for long periods of time, unplug it from the wall outlet and disconnect the antenna. This will prevent damage due to lightning and power-line surges.

## **OPERATION OF YOUR SET**

18. This television set should be operated only from the type of power source indicated on the marking label. If you are not sure of the type of power supply at your home, consult your television dealer or local power company. For television sets designed to operate from battery power, refer to the operating instructions.
19. If the television set does not operate normally by following the operating instructions, unplug this television set from the wall outlet and refer servicing to qualified service personnel. Adjust only those controls that are covered in the operating instructions as improper adjustment of other controls may result in damage and will often require extensive work by a qualified technician to restore the television set to normal operation.
20. When going on a holiday : If your television set is to remain unused for a period of time, for instance, when you go on a holiday, turn the television set " off " and unplug the television set from the wall outlet.

## **IF THE SET DOES NOT OPERATE PROPERLY**

21. If you are unable to restore normal operation by following the detailed procedure in your operating instructions, do not attempt any further adjustment. Unplug the set and call your dealer or service technician.
22. Whenever the television set is damaged or fails, or a distinct change in performance indicates a need for service, unplug the set and have it checked by a professional service technician.
23. It is normal for some TV sets to make occasional snapping or popping sounds, particularly when being turned on or off. If the snapping or popping is continuous or frequent, unplug the set and consult your dealer or service technician.

## **FOR SERVICE AND MODIFICATION**

24. Do not use attachments not recommended by the television set manufacturer as they may cause hazards.
25. When replacement parts are required, be sure the service technician has used replacement parts specified by the manufacturer that have the same characteristics as the original part. Unauthorized substitutions may result in fire, electric shock, or other hazards.
26. Upon completion of any service or repairs to the television set, ask the service technician to perform routine safety checks to determine that the television is in safe operating condition.

<b>Date:</b>	
<b>ProductView.....:</b>	
<b>Report by.....:</b> Linda Wen	TC1631TV
<b>Specs / Products</b>	
<b>MasterData</b>	
Customer Id	ORIENTAL PACIFIC (NZ) LIMITED
Version	0.1
BOM No	03-E2764H-AA36
<b>Brand</b>	TRANSONIC
<b>Reception</b>	
<b>-Tuning - presets/channels</b>	
100	x
125	
200	
<b>-Tuning - technology</b>	
PLL	x
VST	x
<b>-Tuning - Indication</b>	
---	X
<b>-Freq Bands</b>	
UVSH	
Full-Cable	x
<b>-IF Freq</b>	
38MHz	
38.9MHz	X
45.75MHz	
<b>-TV Systems Off Air/Cable</b>	
NTSC M (3.58 - 4.5)	
NTSC (4.43 - 5.5)	
NTSC (4.43 - 6.5)	
NTSC 3.58	x
NTSC 4.43	x
PAL B/G	x
PAL D/K	
PAL I	
SECAM B/G	
SECAM D/K	
<b>-Add Systems Ext In</b>	
NTSC 3.58	
NTSC 4.43	
NTSC Play Back	x
PAL 60	x
<b>-TV Systems Multi</b>	
NTSC	
PAL	x
<b>-Sound Systems</b>	
AV Stereo	x
NICAM	
German Stereo	
American Stereo	
Korean Stereo	
<b>Picture - Processing</b>	
<b>-Scan</b>	
Standard	x
<b>-Scan Modes</b>	
4:3	x
4:3 Expand	
<b>-Wide Screen Switching</b>	
<b>-Combfilter</b>	
<b>-Picture Control</b>	
Brightness	x
Colour/Hue/ tint	x
Contrast	x
Color Temperature	
Sharpness	x
scan velocity modulation	
LTI / CTI	
Smart Pict. 4 Modes	
Smart Pict. 5 Modes	
Multiplicate picture scan mode	
<b>-Pict Enhancement</b>	
Active Control (without LNA)	
Black Stretch	x
dynamic skin	
<b>-Pict Noise Reduction</b>	
NR	x

<b>Date:</b>	
<b>ProductView.....:</b>	
<b>Report by.....:</b> Linda Wen	TC1631TV
<b>Specs / Products</b>	
<b>Picture - Display</b>	
<b>-Display Type</b>	
DV - CRT - Normal Flat	x
DV-CRT-Pure Flat	
DV - CRT - Super Flat	
<b>-Screen Format</b>	
4:3	x
Expand 4:3	
16:9	
<b>-Size(Visual)" - size/vis. cm</b>	
14(13V) - 37/34 cm	x
21(20V) - 55/51cm	
25(00v) - 00/00cm	
29(27v) - 72/68cm	
34(00v) - 00/00cm	
<b>-Deflection System (CRT only)</b>	
1 Fh	x
2 Fh	
<b>-Tube Technology (CRT only)</b>	
Iron	x
Black Matrix	x
Real Flat	
<b>-CRT Defl</b>	
090 degr	x
100 degr	
110 degr	
500 degr	
<b>-CRT Gun</b>	
Stand Gun	x
<b>-CRT Magn field</b>	
Neutral	
S Hemisphere	Australia South Hemisphere
North-Neutral	
<b>-Resolution</b>	
<b>-Coating (only for D.V. sets)</b>	
<b>-White Point</b>	
<b>Sound</b>	
<b>-Leaflet Power</b>	
01W	
02W	
04W	x
06W	
10W	
12W	
20W	
<b>-RMS Power Intern</b>	
1x1W	
2x1W	
2x2W	14"
2x3W	
2x4W	
2x5W	
2X6W	
2X10W	
<b>-RMS Power Extern</b>	
<b>-Surround Sound</b>	
<b>-Sound Features</b>	
AVL	
Mute	x
Smart Sound (4 modes)	
<b>-Sound Control</b>	
Balance	
Bass	
Bass Boost	
Smart Sound 4 Modes	
Smart Sound 5 Modes	
Treble	
Treble Boost	
Volume	x
<b>Sound - Speakers</b>	
<b>-Speaker configuration</b>	
2x1	x

<b>Date:</b>	
<b>ProductView.....:</b>	
<b>Report by.....: Linda Wen</b>	TC1631TV
<b>Specs / Products</b>	
<b>-Speakers used</b>	
Normal Range	x
Full Range	
<b>User Interface</b>	
<b>-Interface Name</b>	
Full interface	A30V03-TOP
<b>-Voice Control</b>	
<b>-Menu</b>	
Cursor Control	X
<b>-Menu Colours</b>	
<b>-Menu Languages</b>	
Arabic	
Chinese - Simplified	
Chinese - Traditional	
English	X
Russian	
Malay	
Thai	
<b>-Record Select - sources:</b>	
<b>-Special Features</b>	
On/Off Timer	x
Sleep timer	x
Game	x
Notebook	x
Calendar	x
Auto Standby	x
Channel Copying	x
Channel Naming	
Channel Lock	
Favorite Channel	x
Manual Skip	
channel navigation	
Personal Zapping	
Signal Strength Indicator	
V-chip with Smart Lock	
Hotel Mode	x
Recall	
AT	
High Sensitive	
<b>-Operational Features</b>	
Alternate Channel	
Surf	
<b>-PP Features</b>	
One PP for all channels	x
<b>-Tuning / Install Features</b>	
Aut Cable/Ant. Select	x
Auto Channel Prog	x
Auto Store	x
Factory Mode	x
Fine Tuning	x
Language Selection	x
Manual Search/Store	x
Service Mode	x
<b>-Clock/Timer Functions</b>	
Sleep timer	x
Alarm Timer	
Crystal Clock	
Real Clock	
Biological Clock	x
<b>-Local Controls Front</b>	
Channel +/-	
Mains Switch (Flush)	
Volume +/-	
TV/AV	
Auto search	
menu	
<b>-Local Controls Top</b>	
Channel +/-	x
Volume +/-	x
TV/AV	x
menu	x
<b>-Indicators - screen</b>	



<b>Date:</b>	
<b>ProductView.....:</b>	
<b>Report by.....: Linda Wen</b>	TC1631TV
<b>Specs / Products</b>	
<b>-Indicators - front</b>	
RC Recvd LED	x
SB LED	x
<b>-Numb of Loc Cont (incl Mains)</b>	
5	
7	x
<b>-Number of Ind. (incl Mains)</b>	
1	
<b>-Local Controls (Old)</b>	
<b>Remote Control</b>	
<b>-Remote Control - scope</b>	
TV	x
<b>-Remote Control - type</b>	
Standard	x
<b>-Remote Control - typenr</b>	
E	
F	x
Q	
RC115	
<b>-Remote Control - features</b>	
<b>Connectors Rear</b>	
<b>-Scart RGB+Y/C+CVBS</b>	
<b>-Scart RGB+CVBS</b>	
<b>-Scart CVBS+Y/C</b>	
<b>-Component In (Y/U/V) Cinch</b>	
Ext(1)	x
<b>-Component In (YPbPr) Cinch</b>	
<b>-In Y/C+Cinch(CVBS+St)</b>	
1x	X
<b>-In Y/C+Cinch(CVBS+Mo)</b>	
<b>-In Y/C+Cinch(St)</b>	
<b>-In BNC (CVBS)</b>	
<b>-In Cinch(CVBS+Mo)</b>	
Ext(1)	
<b>-In Cinch(CVBS+St)</b>	
Ext2	
<b>-In VGA</b>	
<b>-Out Y/C+Cinch(CVBS+St)</b>	
<b>-Out Cinch(CVBS+St)</b>	
1x	X
<b>-Out Cinch(CVBS+Mo)</b>	
1x	
<b>-Out Cinch Audio Stereo</b>	
<b>-Out Cinch Audio Mono</b>	
<b>-Out Cinch Dolby Surround</b>	
<b>-Out Cinch Subwoofer</b>	
<b>-Dig Audio Out</b>	
<b>-Loudspeakers</b>	
<b>-Control Busses</b>	
<b>-Feature Slot</b>	
<b>-ITV Smart Port</b>	
<b>-Terr. Antenna in</b>	
75 Ohms (IEC type)	x
<b>Guide + IR Blaster Jack</b>	
<b>Connectors Front</b>	
<b>-In Y/C + Cinch(CVBS+St)</b>	
<b>-In Y/C + Cinch(CVBS+Mo)</b>	
<b>-In Y/C + Cinch Stereo</b>	
<b>-In Cinch (CVBS + St)</b>	
<b>-In Cinch (CVBS+Mo)</b>	
Yes	
<b>-Headphone Out</b>	
Mini-Jack 3.5mm	
<b>-Feature Slot</b>	
<b>-Cinch A/V in</b>	
<b>Connectors Side</b>	
<b>-In Y/C + Cinch(CVBS+St)</b>	
<b>-In Y/C + Cinch Stereo</b>	
<b>-In Cinch (CVBS + St)</b>	
Yes	x
<b>-In Cinch (CVBS + Mo)</b>	
Yes	

<b>Date:</b>	
<b>ProductView.....:</b>	
<b>Report by.....: Linda Wen</b>	TC1631TV
<b>Specs / Products</b>	
<b>-Headphone Out</b>	
Mini-Jack 3.5mm	
<b>-Cinch A/V in</b>	
<b>-Cinch A/V out</b>	
<b>Connectors Top</b>	
<b>-In Cinch (CVBS + St)</b>	
<b>-Headphone Out</b>	
<b>Connectors Mechanical</b>	
<b>-Headphone</b>	
<b>-Cinch A/V in/out</b>	
<b>-Cinch Component</b>	
<b>-Cinch Y/C</b>	
<b>Styling</b>	
<b>-Cabinet Name</b>	14276
<b>-Configuration</b>	
DAS	
Symm	x
<b>-Mechanics</b>	
<b>-Speaker Visibility</b>	
Standard	X
<b>General</b>	
<b>-Segment</b>	
Standard 4:3	X
<b>-Chassis</b>	M28B
<b>-Software Delivery Mode</b>	
<b>-Software Version</b>	
<b>-Mains Voltage</b>	
110V - 270V	
90 - 260V	
90-276 AutoV	
160 - 260 V	
230 - 240 V	X
<b>-Mains Frequency</b>	
50Hz	X
<b>-Type Mains Cord</b>	
FlatPin(Non-Polarised)	
Australia	SAA
Australia / New Zealand	
Euro	
New Zealand	
VDE	
<b>Power Consumption (P)TV in On</b>	70W
<b>Power Consumption SB in Watts</b>	
Less than 1	X
Less than 3	
Less than 6	
Less than 10	
<b>Power Consumption Semi SB in W</b>	
<b>-Power in "ON" for</b>	
<b>-Power in Standby for</b>	
<b>-Power in "OFF" for</b>	
<b>-INDICATION on BACKCOVER</b>	
Made-in in Family Sheet	X
FCC/Elect Shock caution label	
Serial label	X
Warning label on backcover	X
<b>-Channel</b>	
National Org.-NO	X
<b>Final Equipment</b>	
<b>-Packaging - methods</b>	
2 Colour Printing	
Brown Carton	
White Carton	
<b>-Documents and manuals</b>	
Instruction Book (User Manual)	x
Adbertising Brochure	
Extended Warranty Brochure	
Guarantee Doc	X
Screen Sticker	
Approbation Labels	X
Easy installation Guide	
Plastic Bag	X

<b>Date:</b>	
<b>ProductView.....:</b>	
<b>Report by.....: Linda Wen</b>	TC1631TV
<b>Specs / Products</b>	
Warning label	X
Warranty Card	
<b>-Languages DFU</b>	
Arabic	
English	x
Local Integration	
Malay	
Thai	
<b>-Cables Supplied</b>	
<b>-Antenna Supplied</b>	
<b>-Stand Supplied</b>	
<b>-Aux Equipm Supplied</b>	
Batteries for RC (2 x AA)	x
<b>Miscellaneous</b>	
<b>-Approbation</b>	
CB	X
EMC	X
<b>-Tests</b>	
<b>-Local Integration</b>	
<b>PIP/POP</b>	
<b>-Type</b>	
---	
<b>-Features</b>	
<b>Digital Reception</b>	
<b>-Transmission</b>	
<b>-Profile/Level</b>	
<b>Digital Software</b>	
<b>-Services</b>	
<b>Digital Connections</b>	
<b>-Digital Rear</b>	
<b>Built-in Data System</b>	
<b>-Text Standard</b>	
No Text	
<b>-(Tele)text Features</b>	
1 Page text	
10 Page text	
<b>-Nbr bacgrnd page/Mem Size</b>	
<b>-Text Technology</b>	
<b>-Digital Data handling</b>	
<b>-Program Guide</b>	
<b>Built-in Clock/Timer</b>	
<b>-Type</b>	
<b>-Features</b>	
<b>Built-in Radio</b>	
<b>-Type</b>	
<b>Built-in PC display</b>	
VGA	
XGA	
SVGA	
SXGA	
WVGA	
UXGA	
<b>-PC Synch</b>	
<b>-PC Control</b>	
<b>Built-in TV display</b>	
50i	
60i	
100i	
60P	
75P	
<b>Built-in Media Slots/ DVD driver</b>	
<b>-Type of Medium</b>	
<b>-Type of Deck</b>	
<b>-Version of Deck</b>	
<b>-Playback Formats</b>	
<b>-Copy Protection Compliance</b>	
<b>Phased Out Items</b>	
<b>-Tuner/Frontend</b>	
<b>-Sensitivity</b>	
<b>-CRT EHT</b>	
<b>-Lightning Protection</b>	
<b>-Account</b>	

PFS (Product Functional Specification)

<b>Date:</b> <b>ProductView.....:</b> <b>Report by.....: Linda Wen</b>	TC1631TV
<b>Specs / Products</b>	
-XX(Radio Antenna in)	
-Non Volatile Memory	
-In Y/C + Cinch(CVBS+Mo)	
Version of deck	

Item No.	Description	Quantity Req.	Designator	Remarks
08-01427H-CRY	ASS'Y - CRT BD	1		
10-1N4148-ABX	DIODE 1N4148 (SWITCHING)	1	D502	
10-1N4148-ABX	DIODE 1N4148 (SWITCHING)	1	D501	
11-SA1015-YBX	TRANSISTOR 2SA1015Y	1	Q510	
11-SC2482-OBX	TRANSISTOR 2SC2482	1	Q501	
11-SC2482-OBX	TRANSISTOR 2SC2482	1	Q502	
11-SC2482-OBX	TRANSISTOR 2SC2482	1	Q503	
18-CB0101-JNX	RES. C.F. 100 OHM 1/6W +/-5%	1	R501	
18-CB0101-JNX	RES. C.F. 100 OHM 1/6W +/-5%	1	R504	
18-CB0101-JNX	RES. C.F. 100 OHM 1/6W +/-5%	1	R507	
18-CB0102-JNX	RES. C.F. 1K OHM 1/6W +/-5%	1	R522	
18-CB0272-JNX	RES. C.F. 2.7K OHM 1/6W +/-5%	1	R524	
18-CB0472-JNX	CARBON RES. C.F. 4.7K OHM 1/6W +/-5%	1	R502	
18-CB0472-JNX	CARBON RES. C.F. 4.7K OHM 1/6W +/-5%	1	R505	
18-CB0472-JNX	CARBON RES. C.F. 4.7K OHM 1/6W +/-5%	1	R508	
18-CB0681-JNX	RES. C.F. 680 OHM 1/6W +/-5%	1	R525	
18-CB0681-JNX	RES. C.F. 680 OHM 1/6W +/-5%	1	R523	
18-CB0751-JNX	RES. C.F. 750 OHM 1/6W +/-5%	1	R503	
18-CB0751-JNX	RES. C.F. 750 OHM 1/6W +/-5%	1	R506	
18-CB0751-JNX	RES. C.F. 750 OHM 1/6W +/-5%	1	R509	
18-CD0104-JNX	RES. C.F. 100K OHM 1/4W +/-5%	1	R521	
18-FE0272-JNX	RES. M.O. 2.7K OHM 1/2W +/-5%	1	R514	
18-FE0272-JNX	RES. M.O. 2.7K OHM 1/2W +/-5%	1	R515	
18-FE0272-JNX	RES. M.O. 2.7K OHM 1/2W +/-5%	1	R518	
18-FG0123-JHX	RES. M.O. 12K OHM 2W +/-5%	1	R510	
18-FG0123-JHX	RES. M.O. 12K OHM 2W +/-5%	1	R511	
18-FG0123-JHX	RES. M.O. 12K OHM 2W +/-5%	1	R512	
26-EBP103-ZFX	CAP. CER 0.01UF 50V +80/-20% F	1	C507	
26-AIM103-KBX	CAP. CER 0.01UF 500V +/-10% B	1	C504	
26-AMK221-KBX	CAP. CER 220PF 2KV +/-10% B	1	C505	
26-EBP103-ZFX	CAP. CER 0.01UF 50V +80/-20% F	1	C514	
35-139730-00X	FERR. BEAD BF60	2		FOR C514 (L505 & L506)
46-33624H-04X	HS 3P 2468#24 270 TJC3-4Y/SCN-4Y	1		P502 FOR M. BD P402
18-CB0681-JNX	RES. C.F. 680 OHM 1/6W +/-5%	1	R526	
18-CB0681-JNX	RES. C.F. 680 OHM 1/6W +/-5%	1	R527	
41-WJ0060-B00	WIRE BARE JUMPER 6mm	1	J501	
41-WJ0075-B00	WIRE BARE JUMPER 7.5MM	1	J502	

Item No.	Description	Quantity Req.	Designator	Remarks
46-10967W-01X	PIN BASE *1 TJC1-1A	1	P504	
46-35038H-05X	HS 5P24 380 TJC3-5Y/SCN-5Y	1		P501 FOR M. BD P201
25-BLA100-M1X	CAP. ELEC 10 UF 250V +/-20%	1	C506	
25-BCB221-M1X	CAP. ELEC 220 UF 16V +/-20%	1	C508	
47-CRT009-CX0	SOCKET CRT 12P GZS12-4-2	1	S501	
26-EBP221-JCS	CAP. CER 220 pF 50V +/-5%	1	C510	
26-EBP221-JCS	CAP. CER 220 pF 50V +/-5%	1	C511	
26-EBP221-JCS	CAP. CER 220 pF 50V +/-5%	1	C512	
26-EBP681-JCS	CAP. CER 680 pF 50V +/-5%	1	C501	
26-EBP681-JCS	CAP. CER 680 pF 50V +/-5%	1	C502	
26-EBP681-JCS	CAP. CER 680 pF 50V +/-5%	1	C503	
40-1418MH-CRB1X	P. C. B. CRT BD	1		
08-01418H-PW4	ASS'Y - POWER PARTS(AUST, 100UF)	1		
10-0FR104-FBX	DIODE FR104 (FAST RECTIFIER)	1	D807	
10-0FR104-FBX	DIODE FR104 (FAST RECTIFIER)	1	D806	
10-0FR104-FBX	DIODE FR104 (FAST RECTIFIER)	1	D805	
10-0FR104-FBX	DIODE FR104 (FAST RECTIFIER)	1	D831	
10-0FR104-FBX	DIODE FR104 (FAST RECTIFIER)	1	D830	
10-0FR104-FBX	DIODE FR104 (FAST RECTIFIER)	1	D831A	
10-ORU3AM-FOX	DIODE RU3AM (FAST RECOVERY)	1	D824	
10-1N4148-ABX	DIODE 1N4148 (SWITCHING)	1	D811	
10-1N4148-ABX	DIODE 1N4148 (SWITCHING)	1	D812	
10-1N4148-ABX	DIODE 1N4148 (SWITCHING)	1	D813	
10-79C3V9-DBX	DIODE ZENER 3V9 1/2W 5%	1	D808A	
10-79C5V6-DBX	DIODE ZENER 5V6 1/2W 5%	1	D808	
10-79C9V1-DBX	DIODE ZENER 9V1 1/2W 5%	1	D809	
11-SA1015-YBX	TRANSISTOR 2SA1015Y	1	Q801	
11-SA1015-YBX	TRANSISTOR 2SA1015Y	1	Q802	
11-SC1959-YBX	TRANSISTOR 2SC1959Y	1	Q803	
11-SC5586-OAX	TRANSISTOR 2SC5586	1	Q804	
18-CB0472-JNX	CARBON RES. C.F. 4.7K OHM 1/6W +/-5%	1	R807	
18-CB0472-JNX	CARBON RES. C.F. 4.7K OHM 1/6W +/-5%	1	R817	
18-CD0103-JNX	RES. C.F. 10K OHM 1/4W +/-5%	1	R805	
18-CD0272-JNX	RES. C.F. 2.7K OHM 1/4W +/-5%	1	R806	
18-CD0331-JNX	RES. C.F. 330 OHM 1/4W +/-5%	1	R811	
18-CD0392-JNX	RES. C.F. 3.9K OHM 1/4W +/-5%	1	R808	
18-CD0472-JNX	RES. C.F. 4.7K OHM 1/4W +/-5%	1	R812	

Item No.	Description	Quantity Req.	Designator	Remarks
18-EF0228-JGX	RES. FUS. 0.22 OHM 1W +/-5%		1 R831	
18-EF0228-JGX	RES. FUS. 0.22 OHM 1W +/-5%		1 R832	
18-EF0228-JGX	RES. FUS. 0.22 OHM 1W +/-5%		1 R831A	
18-CF0224-JHX	RES. C. F. 220K OHM 1W +/-5%		1 R803	
18-CF0224-JHX	RES. C. F. 220K OHM 1W +/-5%		1 R803A	
18-FG0153-JHX	RES. M. O. 15k OHM 2W +/-5%		1 R824	
18-FJ0390-JJX	RES. M. O. 39 OHM 5W +/-5%		1 R816	
18-GJ0339-KUX	RES. WIRE ROUND 3.3 OHM 5W +/-10%		1 R801	
18-KE0475-JNX	RES. GLASS GLAZE 4.7M OHM 1/2W +/-5%		1 R835	
18-KE0475-JNX	RES. GLASS GLAZE 4.7M OHM 1/2W +/-5%		1 R835A	
20-TR102H-5CX	TRIMMER B1K HORIZ TYPE		1 VR801	
25-BCA102-M1X	CAP. ELEC 1000 UF 16V +/-20%		1 C845	
25-BCB330-M1X	CAP. ELEC 33 UF 16V +/-20%		1 C812	
25-BCB471-M1X	CAP. ELEC 470 UF 16V +/-20%		1 C842	
25-BDB101-M1X	CAP. ELEC 100 UF 25V +/-20%		1 C810	
25-BHB100-M1X	CAP. ELEC 10 UF 100V +/-20%		1 C811	
25-BJG101-M1X	CAP. ELEC 100 UF 160V +/-20%		1 C827	
26-AIC221-KBX	CAP. CER 220 PF 500V +/-10% B		1 C840	
26-AIC221-KBX	CAP. CER 220 PF 500V +/-10% B		1 C843	
26-AIC221-KBX	CAP. CER 220 PF 500V +/-10% B		1 C843A	
26-AIC391-KBX	CAP. CER 390 PF 500V +/-10% B		1 C805A	
26-AIM103-KBX	CAP. CER 0.01UF 500V +/-10% B		1 C826	
26-AIM103-KBX	CAP. CER 0.01UF 500V +/-10% B		1 C814	
26-AMK331-JZX	CAP. CER 330 pF 2KV +/-5% SL		1 C830	
26-APK102-ME4	CAP. CER 1000PF 400VAC +/-20% E		1 C835	
26-AQK472-ZFX	CAP. CER 4700PF 250VAC+80-20%F		1 C804	
26-AQK472-ZFX	CAP. CER 4700PF 250VAC+80-20%F		1 C805	
26-EBP103-ZFX	CAP. CER 0.01UF 50V +80/-20% F		1 C844	
26-EBP103-ZFX	CAP. CER 0.01UF 50V +80/-20% F		1 C841	
26-EBP103-ZFX	CAP. CER 0.01UF 50V +80/-20% F		1 C844A	
27-ALQ222-JOX	CAP. M. PP 2200 PF 1.6KV +/-5%		1 C809	
27-AQT224-MVH	CAP. M. PP 0.22 UF 275VAC 20%		1 C801	
27-MBC104-JOX	CAP. M. P. E 0.1 UF 63V +/-5%		1 C808	
27-MBC333-JOX	CAP. M. P. E 0.033UF 63V +/-5%		1 C807	
27-MHM104-KOX	CAP. METAL P. E. 0.1UF 400V 10%		1 C803	
34-A608K6-1BX	COIL CHOKE 0.6 UH +/-10%		1 L801	
34-R101K2-1BX	COIL CHOKE 100 UH +/-10%		1 L804	

Item No.	Description	Quantity Req.	Designator	Remarks
35-139730-00X	FERR. BEAD BF60	2		FOR D831A
35-139730-00X	FERR. BEAD BF60	2		FOR D824
35-139730-00X	FERR. BEAD BF60	2		FOR D831
35-139730-00X	FERR. BEAD BF60	2		FOR D830
35-237250-00X	FERR. BEAD HF70 4.5X5.0	2		FOR R815
36-LIF004-AX0	LINE FILTER	1	T801	
41-WJ0065-B00	WIRE BARE JUMPER 6.5MM	1	J825	
41-WJ0075-B00	WIRE BARE JUMPER 7.5MM	1	J826	
41-WJ0100-B00	WIRE BARE JUMPER 10MM	1	L802	
41-WJ0100-B00	WIRE BARE JUMPER 10MM	1	L803	
41-WJ0150-B00	WIRE BARE JUMPER 15MM	1	J801	
41-WJ0170-B00	WIRE BARE JUMPER 17MM	1	J830	
41-WJ0170-B00	WIRE BARE JUMPER 17MM	1	J829	
41-WJ0185-B00	WIRE BARE JUMPER 18.5MM	1	J831	
41-WJ0195-B00	WIRE BARE JUMPER 19.5MM	1	J828	
41-WJ0195-B00	WIRE BARE JUMPER 19.5MM	1	J827	
48-POW001-AX0	SWITCH POWER	1	SW801	
50-02000D-1GS1	FUSE 2.0AT 250VAC 5mmX20mm	1	F801	
51-JC0243-OPB01	POWER CORD	1		
64-P30100-104	M/C SCREW P 3 X 10	1		MTG Q804
65-Z30050-23M	NUT M 3	1		FOR Q804
66-20516X-0B0	FUSE HOLDER	2		FOR FUSE
66-343730-0B0	HOLLOW RIVET 1.6X3.0XL3.2	4		FOR T802
66-343730-0B0	HOLLOW RIVET 1.6X3.0XL3.2	4		FOR T801
66-343730-0B0	HOLLOW RIVET 1.6X3.0XL3.2	3		FOR RT801
67-H28649-1A0	HEAT SINK	1		FOR Q804
71-DYPO00-WX1	LABEL	1		STICK ON H. SINK(Q804)
25-BDB101-M1X	CAP. ELEC 100 UF 25V +/-20%	1	C845A	
66-343730-0B0	HOLLOW RIVET 1.6X3.0XL3.2	4		FOR L804, D830
66-343730-0B0	HOLLOW RIVET 1.6X3.0XL3.2	6		FOR C801, C827, D824
46-28559W-02X	PIN BASE *2 TJC1-2A	1	P802	
46-10962W-02X	PIN BASE *2 TJC2-2A	1	P801	
18-RG0338-JFX	RES. WIRE ROUND 0.33 OHM 2W +/-5%	1	R815	
25-BMJ101-M1X	CAP. ELEC 100 UF 400V +/-20%	1	C806	
10-ORL255-EBX	DIODE RL255 OR RL206(POWER RECTIFIER)	1	D801	
10-ORL255-EBX	DIODE RL255 OR RL206(POWER RECTIFIER)	1	D802	
10-ORL255-EBX	DIODE RL255 OR RL206(POWER RECTIFIER)	1	D803	



Item No.	Description	Quantity Req.	Designator	Remarks
10-ORL255-EBX	DIODE RL255 OR RL206(POWER RECTIFIER)	1	D804	
22-PTC200-XX0	POSISTOR 20 OHM (25-34)	1	RT801	
18-FH0270-JLX	RES. M.O. 27 OHM 3W +/-5%	1	R814	
36-TRF130-AX0	TRANSFORMER BCK-3559	1	T802	
18-GJ0229-KUX	RES. CEMENT 2.2 OHM 5W +/-10%	1	R804	
18-FF0229-JGX	RES. M.O. 2.2 OHM 1W +/-5%	1	R813	
66-343740-OB0	HOLLOW RIVET (2.3mmx4.0mmx3.5mm)	8		FOR R801, R804, C806, P801
90-ODSTG1-SR1	HEAT SINK DSTG-1	0.0003		
08-01427H-AVY	ASS'Y - SIDE AV BD	1		
40-2175MU-SIC	P.C.B. SIDE AV BD	1		
46-30790H-06X	HS 6P24 400 TJC3-6Y/SCN-6Y	1		P1104B FOR M. BD P904
47-RCA020-XX1	RCA SOCKET Y/W/R	1	P1101	FOR P1101 & P1102 & P1103
08-02113H-AUY	ASS'Y - AUDIO STEREO	1		
11-C144ES-OBX	TRANSISTOR PDTC144ES (NPN)	1	Q606	
11-C144ES-OBX	TRANSISTOR PDTC144ES (NPN)	1	Q607	
11-SC1815-YBX	TRANSISTOR 2SC1815Y	1	Q603	
11-SC1815-YBX	TRANSISTOR 2SC1815Y	1	Q608	
13-000040-66P	IC 4066 (ANALOG SW.)	1	IC603	
13-TDA705-7AS	IC TDA7057AQ (R/L AUDIO O/P)	1	IC601	
18-CB0101-JNX	RES. C.F. 100 OHM 1/6W +/-5%	1	R033	
18-CB0102-JNX	RES. C.F. 1K OHM 1/6W +/-5%	1	R604A	
18-CB0102-JNX	RES. C.F. 1K OHM 1/6W +/-5%	1	R610	
18-CB0102-JNX	RES. C.F. 1K OHM 1/6W +/-5%	1	R622	
18-CB0103-JNX	RES. C.F. 10K OHM 1/6W +/-5%	1	R019	
18-CB0103-JNX	RES. C.F. 10K OHM 1/6W +/-5%	1	R611	
18-CB0103-JNX	RES. C.F. 10K OHM 1/6W +/-5%	1	R614	
18-CB0472-JNX	CARBON RES. C.F. 4.7K OHM 1/6W +/-5%	1	R612	
18-CB0472-JNX	CARBON RES. C.F. 4.7K OHM 1/6W +/-5%	1	R613	
18-CB0822-JNX	RES. C.F. 8.2K OHM 1/6W +/-5%	1	R006	
18-CD0479-JNX	RES. C.F. 4.7 OHM 1/4W +/-5%	1	R640	
25-BCB221-M1X	CAP. ELEC 220 UF 16V +/-20%	1	C635	
25-BDA471-M1X	CAP. ELEC 470 UF 25V +/-20%	1	C604	
25-BFB109-M1X	CAP. ELEC 1 UF 50V +/-20%	1	C622	
25-BFB109-M1X	CAP. ELEC 1 UF 50V +/-20%	1	C624	
25-BFB479-M1X	CAP. ELEC 4.7 UF 50V +/-20%	1	C601	
25-BFB479-M1X	CAP. ELEC 4.7 UF 50V +/-20%	1	C602	
25-BFB479-M1X	CAP. ELEC 4.7 UF 50V +/-20%	1	C603	

Item No.	Description	Quantity Req.	Designator	Remarks
26-EBP103-ZFX	CAP. CER 0.01UF 50V +80/-20% F	1	C636	
27-MBC104-JOX	CAP. M.P.E 0.1 UF 63V +/-5%	1	C610	
27-PBC472-JOX	CAP. P.E 0.0047UF 63V +/-5%	1	C607	
27-PBC472-JOX	CAP. P.E 0.0047UF 63V +/-5%	1	C608	
41-WJ0060-B00	WIRE BARE JUMPER 6mm	1	J110	
41-WJ0060-B00	WIRE BARE JUMPER 6mm	1	J916	
41-WJ0060-B00	WIRE BARE JUMPER 6mm	1	J919	
41-WJ0065-B00	WIRE BARE JUMPER 6.5MM	1	J920	
41-WJ0115-B00	WIRE BARE JUMPER 11.5MM	1	J604	
64-P30100-104	M/C SCREW P 3 X 10	2		FOR IC601
67-H34423-CA0	HEAT SINK	1		FOR IC601
18-CB0103-JNX	RES. C.F. 10K OHM 1/6W +/-5%	1	R633	
18-CB0103-JNX	RES. C.F. 10K OHM 1/6W +/-5%	1	R636	
08-0E276H-FC4	ASS'Y - FRONT CAB(AUST, OAN)	1		
02-GND014-XX0	ASS"Y - CRT GND WIRE&HOUSE	1		
42-50916D-XX0	SPEAKER 16 OHM 5W (50mmX90mm)	1	W601	
42-50916D-XX0	SPEAKER 16 OHM 5W (50mmX90mm)	1	W602	
46-13902H-02X	HS 2P 2468#22 360 S11-2Y/7mm	1		P601H FOR M. BD P601
46-20600H-04X	HS 4P A/B 360/13 RBGW TJC1-4Y	1		P401H FOR D.Y COIL
46-27250H-02X	HS 2P24 450/5 F/W TJC3-02H	1		P602H FOR M. BD P602
54-113970-0U0	PVC TUBE #5 L=ROLL	0.32		FOR SPK HOUSING
54-205140-000	SPACER CRT MOUNTING T=2MM	4		FOR CRT & FRONT CAB.
54-314740-0X0	CRT FIBRE SHEET (22mmX22mmX0.8mm)	8		FOR CRT & FRONT CAB.
56-E276FB-OHA	PUSH BUTTON	1		
56-E276LE-OHC	DISPLAY LENS	1		
56-E276PK-OHA	POWER KNOB	1		
58-1418SI-4UI	INLAY SIDE AV	1		
59-130460-00X	RUBBER PAD (25mmX7mm)	2		STICK FOR FOOTING CABINET
59-312160-000	SPEAKER RUBBER CUSHION	8		FOR SPK
62-345690-1UN	ASSISTANT RAIL HIPS-KINGFA 113 (VO)	1		FOR M.BD TRACK(F. CAB.)
63-B30080-AB4	S/T SCREW B 3 X 8 AB	1		MTG LENS & F. CAB.
63-H50250-BF4	S/T SCREW H 5 X 25 BF	4		MTG CRT & FRONT CAB.
63-W30080-AB4	S/T SCREW W 3 X 8 AB	2		MTG SIDE AV BD & F. CAB.
63-W30080-AB4	S/T SCREW W 3 X 8 AB	2		MTG M.BD TRACK & F. CAB.
63-W30100-AB4	S/T SCREW W 3 X 10 AB	3		MTG PUSH BUTTON & F. CAB.
63-W30120-AB4	S/T SCREW W 3 X 12 AB	8		MTG SPK & F. CAB.
65-A50200-20E	WASHER 5 X 20 X 2MM	4		MTG CRT

Item No.	Description	Quantity Req.	Designator	Remarks
67-X12668-OEO	SPRING CRT 6mmX40mmXO.5mm	1		
67-X22898-OEO	SPRING - KNOB	1		
44-140FLS-1R2A	CRT 37SX110Y22-DC05(AUST)	1	CRT01	
57-10654X-00F	TWIST TIE NY66	10		
62-216340-OUN	HOLDER POWER CORD HIPS-KINGFA 113(V0)	1		
62-262660-OHN	POWER SW. ADAPTER	1		
36-DEG140-AX0	DEGAUSSING COIL 1080+20MM	1		
55-E276FC-1AA	FRONT CABINET	1		
08-0E276H-RC5	ASS'Y - REAR CAB(Y/C, YUV, OAN)	1		
54-114000-00X	FELT TAPE (150mmX19mmXO.3mm)	4		STICK ON REAR CAB.
58-2106RI-BUI	INLAY REAR AV	1		
58-E276MP-JKT	PLATE MODEL NO.	1		
59-130460-00X	RUBBER PAD (25mmX7mm)	2		STICK ON REAR CAB. (FOOTING)
62-314340-OUN	FBT SUPPORTER HIPS-KINGFA 113 (V0)	1		
62-345700-OUN	ATTACHMENT RAIL PIPS-KINGFA 113 (V0)	1		FOR M. BD TRACK(R. CAB.)
63-B40200-AB3	S/T SCREW B 4 X 20 AB	4		MTG FRONT & REAR CAB.
63-F30100-BT3	S/T SCREW F 3 X 10 BT (BLACK)	2		MTG RCA JACK & REAR CAB.
63-W30080-AB4	S/T SCREW W 3 X 8 AB	2		MTG M. BD TRACK & REAR CAB.
63-W30100-AB4	S/T SCREW W 3 X 10 AB	2		MTG SUPPORTER BKT & R. CAB.
55-1475RC-5AN	REAR CABINET	1		
08-E2764H-MA5	ASS'Y - MAIN BD(Y/C, YUV)	1		
10-0FR104-FBX	DIODE FR104 (FAST RECTIFIER)	1	D401	
10-0FR104-FBX	DIODE FR104 (FAST RECTIFIER)	1	D402	
10-0FR104-FBX	DIODE FR104 (FAST RECTIFIER)	1	D403	
10-1N4001-EBX	DIODE 1N4001 (RECTIFIER)	1	D301	
10-1N4002-EBX	DIODE 1N4002 (RECTIFIER)	1	D405	
10-1N4148-ABX	DIODE 1N4148 (SWITCHING)	1	D005	
10-1N4148-ABX	DIODE 1N4148 (SWITCHING)	1	D206	
10-1N4148-ABX	DIODE 1N4148 (SWITCHING)	1	D006	
10-1N4148-ABX	DIODE 1N4148 (SWITCHING)	1	D007	
10-1N4148-ABX	DIODE 1N4148 (SWITCHING)	1	D601	
10-1N4148-ABX	DIODE 1N4148 (SWITCHING)	1	D008	
10-1N4148-ABX	DIODE 1N4148 (SWITCHING)	1	D002	
10-79C5V1-DBX	DIODE ZENER 5V1 1/2W 5%	1	D001	
10-79C6V2-DBX	DIODE ZENER 6V2 1/2W 5%	1	D404	
10-79C8V2-DBX	DIODE ZENER 8V2 1/2W 5%	1	D205	
10-CW574C-DJX	DIODE CW574CD	1	D102	

Item No.	Description	Quantity Req.	Designator	Remarks
11-2N3904-0BX	TRANSISTOR 2N3904 (NPN)	1	Q103	
11-C124ES-0BX	TRANSISTOR PDTC124ES (NPN)	1	Q604	
11-C144ES-0BX	TRANSISTOR PDTC144ES (NPN)	1	Q204	
11-DD1555-0AX	TRANSISTOR 3DD1555	1	Q402	
11-SA1015-YBX	TRANSISTOR 2SA1015Y	1	Q003	
11-SA1015-YBX	TRANSISTOR 2SA1015Y	1	Q202	
11-SA1015-YBX	TRANSISTOR 2SA1015Y	1	Q005	
11-SA1015-YBX	TRANSISTOR 2SA1015Y	1	Q209	
11-SA1015-YBX	TRANSISTOR 2SA1015Y	1	Q210	
11-SA1015-YBX	TRANSISTOR 2SA1015Y	1	Q605	
11-SC1815-YBX	TRANSISTOR 2SC1815Y	1	Q203	
11-SC1815-YBX	TRANSISTOR 2SC1815Y	1	Q206	
11-SC1815-YBX	TRANSISTOR 2SC1815Y	1	Q208	
11-SC1815-YBX	TRANSISTOR 2SC1815Y	1	Q905	
11-SC1815-YBX	TRANSISTOR 2SC1815Y	1	Q609	
11-SC1815-YBX	TRANSISTOR 2SC1815Y	1	Q207	
11-SC2482-0BX	TRANSISTOR 2SC2482	1	Q401	
11-SC3779-DBX	TRANSISTOR 2SC3779D (RF AMPL)	1	Q101	
13-00M24C-08P	IC EEPROM 8K M24C08 (WRITE)	1	IC001	
13-0STV93-02S	IC STV9302	1	IC301	
13-HA178L-05T	IC HA178LNA 5V	1	Q002	
13-L7809C-VAP	IC L7809CV	1	IC401	
14-LED05R-XX1	LED RED FB205	1	D051	
18-CB0101-JNX	RES. C.F. 100 OHM 1/6W +/-5%	1	R001A	
18-CB0101-JNX	RES. C.F. 100 OHM 1/6W +/-5%	1	R034	
18-CB0101-JNX	RES. C.F. 100 OHM 1/6W +/-5%	1	R047	
18-CB0101-JNX	RES. C.F. 100 OHM 1/6W +/-5%	1	R218	
18-CB0102-JNX	RES. C.F. 1K OHM 1/6W +/-5%	1	R005	
18-CB0102-JNX	RES. C.F. 1K OHM 1/6W +/-5%	1	R013	
18-CB0102-JNX	RES. C.F. 1K OHM 1/6W +/-5%	1	R015	
18-CB0102-JNX	RES. C.F. 1K OHM 1/6W +/-5%	1	R029	
18-CB0102-JNX	RES. C.F. 1K OHM 1/6W +/-5%	1	R116	
18-CB0102-JNX	RES. C.F. 1K OHM 1/6W +/-5%	1	R239	
18-CB0102-JNX	RES. C.F. 1K OHM 1/6W +/-5%	1	R240	
18-CB0102-JNX	RES. C.F. 1K OHM 1/6W +/-5%	1	R241	
18-CB0102-JNX	RES. C.F. 1K OHM 1/6W +/-5%	1	R415	
18-CB0102-JNX	RES. C.F. 1K OHM 1/6W +/-5%	1	R637	

Item No.	Description	Quantity Req.	Designator	Remarks
18-CB0102-JNX	RES. C. F. 1K OHM 1/6W +/-5%	1	R901	
18-CB0102-JNX	RES. C. F. 1K OHM 1/6W +/-5%	1	R912	
18-CB0102-JNX	RES. C. F. 1K OHM 1/6W +/-5%	1	R961	
18-CB0102-JNX	RES. C. F. 1K OHM 1/6W +/-5%	1	R962	
18-CB0102-JNX	RES. C. F. 1K OHM 1/6W +/-5%	1	C226	
18-CB0103-JNX	RES. C. F. 10K OHM 1/6W +/-5%	1	R009	
18-CB0103-JNX	RES. C. F. 10K OHM 1/6W +/-5%	1	R001	
18-CB0103-JNX	RES. C. F. 10K OHM 1/6W +/-5%	1	R309	
18-CB0103-JNX	RES. C. F. 10K OHM 1/6W +/-5%	1	R030	
18-CB0103-JNX	RES. C. F. 10K OHM 1/6W +/-5%	1	R032	
18-CB0103-JNX	RES. C. F. 10K OHM 1/6W +/-5%	1	R240A	
18-CB0103-JNX	RES. C. F. 10K OHM 1/6W +/-5%	1	R406	
18-CB0103-JNX	RES. C. F. 10K OHM 1/6W +/-5%	1	R017	
18-CB0104-JNX	RES. C. F. 100K OHM 1/6W +/-5%	1	R031	
18-CB0123-JNX	RES. C. F. 12k OHM 1/6W +/-5%	1	R212	
18-CB0123-JNX	RES. C. F. 12k OHM 1/6W +/-5%	1	R310	
18-CB0132-JNX	RES. C. F. 1.3K OHM 1/6W +/-5%	1	R010	
18-CB0151-JNX	RES. C. F. 150 OHM 1/6W +/-5%	1	R217	
18-CB0151-JNX	RES. C. F. 150 OHM 1/6W +/-5%	1	R115	
18-CB0151-JNX	RES. C. F. 150 OHM 1/6W +/-5%	1	R117	
18-CB0152-JNX	RES. C. F. 1.5k OHM 1/6W +/-5%	1	R311	
18-CB0152-JNX	RES. C. F. 1.5k OHM 1/6W +/-5%	1	R022	
18-CB0153-JNX	RES. C. F. 15k OHM 1/6W +/-5%	1	R111	
18-CB0153-JNX	RES. C. F. 15k OHM 1/6W +/-5%	1	R112	
18-CB0182-JNX	RES. C. F. 1.8K OHM 1/6W +/-5%	1	R023	
18-CB0221-JNX	RES. C. F. 220 OHM 1/6W +/-5%	1	R201	
18-CB0221-JNX	RES. C. F. 220 OHM 1/6W +/-5%	1	R202	
18-CB0221-JNX	RES. C. F. 220 OHM 1/6W +/-5%	1	R203	
18-CB0223-JNX	RES. C. F. 22k OHM 1/6W +/-5%	1	R014	
18-CB0223-JNX	RES. C. F. 22k OHM 1/6W +/-5%	1	R215	
18-CB0223-JNX	RES. C. F. 22k OHM 1/6W +/-5%	1	R235	
18-CB0273-JNX	RES. C. F. 27k OHM 1/6W +/-5%	1	R414	
18-CB0224-JNX	RES. C. F. 220k OHM 1/6W +/-5%	1	R206	
18-CB0271-JNX	RES. C. F. 270 OHM 1/6W +/-5%	1	R233	
18-CB0272-JNX	RES. C. F. 2.7k OHM 1/6W +/-5%	1	R024	
18-CB0273-JNX	RES. C. F. 27k OHM 1/6W +/-5%	1	R922A	
18-CB0303-JNX	RES. C. F. 30K OHM 1/6W +/-5%	1	R205	

Item No.	Description	Quantity Req.	Designator	Remarks
18-CB0331-JNX	RES. C. F. 330 OHM 1/6W +/-5%		1 R220	
18-CB0331-JNX	RES. C. F. 330 OHM 1/6W +/-5%		1 R219	
18-CB0331-JNX	RES. C. F. 330 OHM 1/6W +/-5%		1 R228	
18-CB0331-JNX	RES. C. F. 330 OHM 1/6W +/-5%		1 R227	
18-CB0332-JNX	RES. C. F. 3.3k OHM 1/6W +/-5%		1 R218A	
18-CB0332-JNX	RES. C. F. 3.3k OHM 1/6W +/-5%		1 R046	
18-CB0333-JNX	RES. C. F. 33K OHM 1/6W +/-5%		1 R110	
18-CB0333-JNX	RES. C. F. 33K OHM 1/6W +/-5%		1 R602	
18-CB0333-JNX	RES. C. F. 33K OHM 1/6W +/-5%		1 R922	
18-CB0333-JNX	RES. C. F. 33K OHM 1/6W +/-5%		1 R232	
18-CB0473-JNX	RES. C. F. 47k OHM 1/6W +/-5%		1 R312	
18-CB0392-JNX	RES. C. F. 3.9K OHM 1/6W +/-5%		1 R213	
18-CB0392-JNX	RES. C. F. 3.9K OHM 1/6W +/-5%		1 R307	
18-CB0392-JNX	RES. C. F. 3.9K OHM 1/6W +/-5%		1 R214	
18-CB0392-JNX	RES. C. F. 3.9K OHM 1/6W +/-5%		1 R007	
18-CB0432-JNX	RES. C. F. 4.3K OHM 1/6W +/-5%		1 R025	
18-CB0470-JNX	RES. C. F. 47 OHM 1/6W +/-5%		1 R002	
18-CB0470-JNX	RES. C. F. 47 OHM 1/6W +/-5%		1 R018	
18-CB0471-JNX	RES. C. F. 470 OHM 1/6W +/-5%		1 R119	
18-CB0471-JNX	RES. C. F. 470 OHM 1/6W +/-5%		1 R238	
18-CB0471-JNX	RES. C. F. 470 OHM 1/6W +/-5%		1 R243	
18-CB0471-JNX	RES. C. F. 470 OHM 1/6W +/-5%		1 R401	
18-CB0471-JNX	RES. C. F. 470 OHM 1/6W +/-5%		1 R923	
18-CB0471-JNX	RES. C. F. 470 OHM 1/6W +/-5%		1 R020	
18-CB0472-JNX	CARBON RES. C. F. 4.7K OHM 1/6W +/-5%		1 R041	
18-CB0472-JNX	CARBON RES. C. F. 4.7K OHM 1/6W +/-5%		1 R244	
18-CB0472-JNX	CARBON RES. C. F. 4.7K OHM 1/6W +/-5%		1 R308	
18-CB0472-JNX	CARBON RES. C. F. 4.7K OHM 1/6W +/-5%		1 R011	
18-CB0473-JNX	RES. C. F. 47k OHM 1/6W +/-5%		1 R109	
18-CB0473-JNX	RES. C. F. 47k OHM 1/6W +/-5%		1 R216	
18-CB0473-JNX	RES. C. F. 47k OHM 1/6W +/-5%		1 R245	
18-CB0473-JNX	RES. C. F. 47k OHM 1/6W +/-5%		1 R927	
18-CB0473-JNX	RES. C. F. 47k OHM 1/6W +/-5%		1 R926	
18-CB0473-JNX	RES. C. F. 47k OHM 1/6W +/-5%		1 R924	
18-CB0473-JNX	RES. C. F. 47k OHM 1/6W +/-5%		1 R925	
18-CB0512-JNX	RES. C. F. 5.1k OHM 1/6W +/-5%		1 R042	
18-CB0560-JNX	RES. C. F. 56 OHM 1/6W +/-5%		1 R114	

Item No.	Description	Quantity Req.	Designator	Remarks
18-CB0561-JNX	RES. C.F. 560 OHM 1/6W +/-5%	1	R209	
18-CB0564-JNX	RES. C.F. 560K OHM 1/6W +/-5%	1	R210	
18-CB0622-JNX	RES. C.F. 6.2K OHM 1/6W +/-5%	1	R026	
18-CB0681-JNX	RES. C.F. 680 OHM 1/6W +/-5%	1	R028	
18-CB0683-JNX	RES. C.F. 68k OHM 1/6W +/-5%	1	R211	
18-CB0750-JNX	RES. C.F. 75 OHM 1/6W +/-5%	1	R904	
18-CB0820-JNX	RES. C.F. 82 OHM 1/6W +/-5%	1	R914	
18-CB0821-JNX	RES. C.F. 820 OHM 1/6W +/-5%	1	R118	
18-CB0822-JNX	RES. C.F. 8.2K OHM 1/6W +/-5%	1	R237	
18-CD0100-JNX	RES. C.F. 10 OHM 1/4W +/-5%	1	R027	
18-CE0229-JNX	RES. C.F. 2.2 OHM 1/2W +/-5%	1	R314	
18-CE0152-JNX	RES. C.F. 1.5k OHM 1/2W +/-5%	1	R316	
18-CE0152-JNX	RES. C.F. 1.5k OHM 1/2W +/-5%	1	R315	
18-CE0331-JNX	RES. C.F. 330 OHM 1/2W +/-5%	1	R409	
18-CE0560-JNX	RES. C.F. 56 OHM 1/2W +/-5%	1	R317	
18-EF0109-JGX	RES. FUS. 1 OHM 1W +/-5% (LS)	1	R403	
18-EF0109-JGX	RES. FUS. 1 OHM 1W +/-5% (LS)	1	R405	
18-EF0109-JGX	RES. FUS. 1 OHM 1W +/-5% (LS)	1	R418	
18-EF0109-JGX	RES. FUS. 1 OHM 1W +/-5% (LS)	1	R416	
18-EG0688-JHX	RES. FUS. 0.68 OHM 2W +/-5%	1	R407	
18-FE0120-JNX	RES. M.O. 12 OHM 1/2W +/-5%	1	R236	
18-FF0103-JGX	RES. M.O. 10k OHM 1W +/-5%	1	R410	
18-FF0122-JGX	RES. M.O. 1.2k OHM 1W +/-5%	1	R441	
18-FF0123-JGX	RES. M.O. 12k OHM 1W +/-5%	1	R408	
18-FF0279-JGX	RES. M.O. 2.7 OHM 1W +/-5%	1	R313	
18-FF0391-JGX	RES. M.O. 390 OHM 1W +/-5%	1	R336	
18-FF0560-JGX	RES. M.O. 56 OHM 1W +/-5%	1	R108	
18-FG0153-JHX	RES. M.O. 15k OHM 2W +/-5%	1	R404	
18-RG0228-JHX	RES. WIRE ROUND 0.22 OHM 2W +/-5%	1	R620	
25-BCA102-M1X	CAP. ELEC 1000 UF 16V +/-20%	1	C416A	
25-BCB100-M1X	CAP. ELEC 10 UF 16V +/-20%	1	C004	
25-BCB100-M1X	CAP. ELEC 10 UF 16V +/-20%	1	C023	
25-BCB100-M1X	CAP. ELEC 10 UF 16V +/-20%	1	C227	
25-BCB100-M1X	CAP. ELEC 10 UF 16V +/-20%	1	C242	
25-BCB100-M1X	CAP. ELEC 10 UF 16V +/-20%	1	C907	
25-BCB100-M1X	CAP. ELEC 10 UF 16V +/-20%	1	C220	
25-BCB100-M1X	CAP. ELEC 10 UF 16V +/-20%	1	C908	

Item No.	Description	Quantity Req.	Designator	Remarks
25-BCB101-M1X	CAP. ELEC 100 UF 16V +/-20%	1	C240	
25-BCB101-M1X	CAP. ELEC 100 UF 16V +/-20%	1	C605	
25-BCB101-M1X	CAP. ELEC 100 UF 16V +/-20%	1	C211	
25-BCB220-M1X	CAP. ELEC 22 UF 16V +/-20%	1	C909	
25-BCB220-M1X	CAP. ELEC 22 UF 16V +/-20%	1	C016	
25-BCB220-M1X	CAP. ELEC 22 UF 16V +/-20%	1	C015	
25-BCB221-M1X	CAP. ELEC 220 UF 16V +/-20%	1	C231	
25-BCB221-M1X	CAP. ELEC 220 UF 16V +/-20%	1	C217	
25-BCB221-M1X	CAP. ELEC 220 UF 16V +/-20%	1	C903	
25-BCB331-M1X	CAP. ELEC 330 UF 16V +/-20%	1	C009	
25-BCB470-M1X	CAP. ELEC 47 UF 16V +/-20%	1	C423	
25-BCB470-M1X	CAP. ELEC 47 UF 16V +/-20%	1	C202	
25-BCB470-M1X	CAP. ELEC 47 UF 16V +/-20%	1	C108	
25-BCB470-M1X	CAP. ELEC 47 UF 16V +/-20%	1	C081	
25-BCB470-M1X	CAP. ELEC 47 UF 16V +/-20%	1	C418	
25-BCB470-M1X	CAP. ELEC 47 UF 16V +/-20%	1	C232	
25-BDA102-M1X	CAP. ELEC 1000 UF 25V +/-20%	1	C308	
25-BEA221-M1X	CAP. ELEC 220 UF 35V +/-20%	1	C302	
25-BEA471-M1X	CAP. ELEC 470 UF 35V +/-20%	1	C413	
25-BEB101-M1X	CAP. ELEC 100 UF 35V +/-20%	1	C303	
25-BFB109-M1X	CAP. ELEC 1 UF 50V +/-20%	1	C208	
25-BFB109-M1X	CAP. ELEC 1 UF 50V +/-20%	1	C203	
25-BFB109-M1X	CAP. ELEC 1 UF 50V +/-20%	1	C214	
25-BFB229-M1X	CAP. ELEC 2.2 UF 50V +/-20%	1	C008A	
25-BFB229-M1X	CAP. ELEC 2.2 UF 50V +/-20%	1	C307	
25-BFB478-M1X	CAP. ELEC 0.47 UF 50V +/-20%	1	C218	
25-GFB478-K1X	CAP. ELEC 0.47 UF 50V +/-10%	1	C234	
25-BFB479-M1X	CAP. ELEC 4.7 UF 50V +/-20%	1	C305	
25-BFB479-M1X	CAP. ELEC 4.7 UF 50V +/-20%	1	C101	
25-BFB479-M1X	CAP. ELEC 4.7 UF 50V +/-20%	1	C103	
25-BFB479-M1X	CAP. ELEC 4.7 UF 50V +/-20%	1	C216	
25-BFB479-M1X	CAP. ELEC 4.7 UF 50V +/-20%	1	C030	
25-BHB100-M1X	CAP. ELEC 10 UF 100V +/-20%	1	C420	
25-BJA470-M1X	CAP. ELEC 47 UF 160V +/-20%	1	C411	
25-BLA100-M1X	CAP. ELEC 10 UF 250V +/-20%	1	C408	
25-GFB228-K1X	CAP. ELEC 0.22 UF 50V +/-10%	1	C205	
25-GFB478-K1X	CAP. ELEC 0.47 UF 50V +/-10%	1	C236	



Item No.	Description	Quantity Req.	Designator	Remarks
26-AIC102-KBX	CAP. CER 1000 PF 500V +/-10% B	1	C401	
26-AIC102-KBX	CAP. CER 1000 PF 500V +/-10% B	1	C404	
26-AIC332-KBX	CAP. CER 3300 PF 500V +/-10% B	1	C407	
26-AIC391-KBX	CAP. CER 390 PF 500V +/-10% B	1	C409	
26-AIC391-KBX	CAP. CER 390 PF 500V +/-10% B	1	C412	
26-AIC391-KBX	CAP. CER 390 PF 500V +/-10% B	1	C414	
26-AMK331-JZX	CAP. CER 330 pF 2KV +/-5% SL	1	C406B	
26-EBP100-JCX	CAP. CER 10PF 50V +/-5% CH	1	C304	
26-EBP102-KBX	CAP. CER 1000 PF 50V +/-10% B	1	C219	
26-EBP102-KBX	CAP. CER 1000 PF 50V +/-10% B	1	C306	
26-EBP103-ZFX	CAP. CER 0.01UF 50V +80/-20% F	1	C212	
26-EBP103-ZFX	CAP. CER 0.01UF 50V +80/-20% F	1	C109	
26-EBP103-ZFX	CAP. CER 0.01UF 50V +80/-20% F	1	C019	
26-EBP103-ZFX	CAP. CER 0.01UF 50V +80/-20% F	1	C114	
26-EBP103-ZFX	CAP. CER 0.01UF 50V +80/-20% F	1	C024	
26-EBP103-ZFX	CAP. CER 0.01UF 50V +80/-20% F	1	C201	
26-EBP103-ZFX	CAP. CER 0.01UF 50V +80/-20% F	1	C241	
26-EBP103-ZFX	CAP. CER 0.01UF 50V +80/-20% F	1	C005	
26-EBP103-ZFX	CAP. CER 0.01UF 50V +80/-20% F	1	C228	
26-EBP103-ZFX	CAP. CER 0.01UF 50V +80/-20% F	1	C230	
26-EBP103-ZFX	CAP. CER 0.01UF 50V +80/-20% F	1	C233	
26-EBP103-ZFX	CAP. CER 0.01UF 50V +80/-20% F	1	C425	
26-EBP103-ZFX	CAP. CER 0.01UF 50V +80/-20% F	1	C417	
26-EBP103-ZFX	CAP. CER 0.01UF 50V +80/-20% F	1	C110	
26-EBP103-ZFX	CAP. CER 0.01UF 50V +80/-20% F	1	C239	
26-EBP103-ZFX	CAP. CER 0.01UF 50V +80/-20% F	1	C020	
26-EBP103-ZFX	CAP. CER 0.01UF 50V +80/-20% F	1	C017	
26-EBP103-ZFX	CAP. CER 0.01UF 50V +80/-20% F	1	C221	
26-EBP103-ZFX	CAP. CER 0.01UF 50V +80/-20% F	1	C931	
26-EBP103-ZFX	CAP. CER 0.01UF 50V +80/-20% F	1	C135	
26-EBP103-ZFX	CAP. CER 0.01UF 50V +80/-20% F	1	C082	
26-EBP103-ZFX	CAP. CER 0.01UF 50V +80/-20% F	1	C237	
26-EBP103-ZFX	CAP. CER 0.01UF 50V +80/-20% F	1	C415	
27-AGQ394-JSX	CAP. M. PP 0.39UF 250VAC +/-5%	1	C421	
27-AGQ563-JOX	CAP. M. PP 0.056 UF 250V +/-5%	1	C410B	
27-ALR922-JOX	CAP. M. PP 0.0092UF 1.6KV +/-5%	1	C402	
27-MBC103-JOX	CAP. M. P. E 0.01UF 63V +/-5%	1	C215	

Item No.	Description	Quantity Req.	Designator	Remarks
27-MBC104-JOX	CAP. M.P.E 0.1 UF 63V +/-5%	1	C106	
27-MBC104-JOX	CAP. M.P.E 0.1 UF 63V +/-5%	1	C301	
27-MBC104-JOX	CAP. M.P.E 0.1 UF 63V +/-5%	1	C309	
27-PBC152-JOX	CAP. P.E 0.0015UF 63V +/-5%	1	C209	
27-PBC222-JOX	CAP. P.E 0.0022UF 63V +/-5%	1	C213	
27-PBC222-JOX	CAP. P.E 0.0022UF 63V +/-5%	1	C204	
27-PBC272-JOX	CAP. P.E 0.0027UF 63V +/-5%	1	C210	
27-PBC473-JOX	CAP. P.E 0.047 UF 63V +/-5%	1	C107	
27-PBC562-JOX	CAP. P.E 0.0056UF 63V +/-5%	1	C422	
27-PBC822-JOX	CAP. P.E 0.0082UF 63V +/-5%	1	C235	
27-RCP333-JOX	CAP. PP 0.033 UF 100V +/-5%	1	C405	
34-A109K0-11X	COIL CHOKE 1 UH +/-10%	1	L103	
34-R100J2-OEX	COIL PL - 10 UH +/-5%	1	L002	
34-R120J2-OEX	COIL PL - 12 UH +/-5%	1	L204	
34-R220J2-OEX	COIL PL - 22 UH +/-5%	1	L208	
34-R220J2-OEX	COIL PL - 22 UH +/-5%	1	L201	
34-R220J2-OEX	COIL PL - 22 UH +/-5%	1	L207	
34-R330J2-OEX	COIL PL - 33 UH +/-5%	1	L080	
36-HDR001-AX1	TRANSFOR HOR. DRIVE (MAGNETIC CORE)	1	T401	
36-LIN500-XX1	COIL LINEARITY 50 UH	1	L412	
41-WJ0050-B00	WIRE BARE JUMPER 5MM	1	L101	
41-WJ0050-B00	WIRE BARE JUMPER 5MM	1	J025	
41-WJ0050-B00	WIRE BARE JUMPER 5MM	1	L202	
41-WJ0050-B00	WIRE BARE JUMPER 5MM	1	L209	
41-WJ0055-B00	WIRE BARE JUMPER 5.5 MM	1	J008	
41-WJ0060-B00	WIRE BARE JUMPER 6mm	1	C243	
41-WJ0060-B00	WIRE BARE JUMPER 6mm	1	J010	
41-WJ0060-B00	WIRE BARE JUMPER 6mm	1	J023	
41-WJ0060-B00	WIRE BARE JUMPER 6mm	1	J101	
41-WJ0060-B00	WIRE BARE JUMPER 6mm	1	J104A	
41-WJ0060-B00	WIRE BARE JUMPER 6mm	1	J107	
41-WJ0060-B00	WIRE BARE JUMPER 6mm	1	J210	
41-WJ0060-B00	WIRE BARE JUMPER 6mm	1	J216	
41-WJ0060-B00	WIRE BARE JUMPER 6mm	1	J218	
41-WJ0060-B00	WIRE BARE JUMPER 6mm	1	J222	
41-WJ0060-B00	WIRE BARE JUMPER 6mm	1	J226	
41-WJ0060-B00	WIRE BARE JUMPER 6mm	1	J309	

Item No.	Description	Quantity Req.	Designator	Remarks
41-WJ0060-B00	WI RE BARE JUMPER 6mm	1	J406	
41-WJ0060-B00	WI RE BARE JUMPER 6mm	1	J605	
41-WJ0060-B00	WI RE BARE JUMPER 6mm	1	J901A	
41-WJ0060-B00	WI RE BARE JUMPER 6mm	1	J915	
41-WJ0060-B00	WI RE BARE JUMPER 6mm	1	R008	
41-WJ0060-B00	WI RE BARE JUMPER 6mm	1	R012	
41-WJ0060-B00	WI RE BARE JUMPER 6mm	1	R200	
26-EBP102-KBX	CAP. CER 1000 PF 50V +/-10% B	1	C915	
41-WJ0060-B00	WI RE BARE JUMPER 6mm	1	R021A	
18-CB0750-JNX	RES. C. F. 75 OHM 1/6W +/-5%	1	R917	
41-WJ0065-B00	WI RE BARE JUMPER 6.5MM	1	J011	
41-WJ0065-B00	WI RE BARE JUMPER 6.5MM	1	J208	
41-WJ0065-B00	WI RE BARE JUMPER 6.5MM	1	J908	
41-WJ0065-B00	WI RE BARE JUMPER 6.5MM	1	J913	
41-WJ0065-B00	WI RE BARE JUMPER 6.5MM	1	J015	
41-WJ0065-B00	WI RE BARE JUMPER 6.5MM	1	J911	
41-WJ0065-B00	WI RE BARE JUMPER 6.5MM	1	J012	
41-WJ0065-B00	WI RE BARE JUMPER 6.5MM	1	J108	
41-WJ0070-B00	WI RE BARE JUMPER 7MM	1	J104	
41-WJ0070-B00	WI RE BARE JUMPER 7MM	1	J906	
41-WJ0075-B00	WI RE BARE JUMPER 7.5MM	1	J001	
41-WJ0075-B00	WI RE BARE JUMPER 7.5MM	1	J013	
41-WJ0075-B00	WI RE BARE JUMPER 7.5MM	1	J103	
41-WJ0075-B00	WI RE BARE JUMPER 7.5MM	1	J205	
41-WJ0075-B00	WI RE BARE JUMPER 7.5MM	1	J206	
41-WJ0075-B00	WI RE BARE JUMPER 7.5MM	1	J209	
41-WJ0075-B00	WI RE BARE JUMPER 7.5MM	1	J022	
41-WJ0075-B00	WI RE BARE JUMPER 7.5MM	1	J304	
41-WJ0075-B00	WI RE BARE JUMPER 7.5MM	1	J602	
41-WJ0075-B00	WI RE BARE JUMPER 7.5MM	1	J907	
41-WJ0075-B00	WI RE BARE JUMPER 7.5MM	1	J914	
41-WJ0075-B00	WI RE BARE JUMPER 7.5MM	1	J603	
36-WID400-XX2	COIL WIDTH 40UH	1	L411	
41-WJ0085-B00	WI RE BARE JUMPER 8.5MM	1	J219	
41-WJ0085-B00	WI RE BARE JUMPER 8.5MM	1	J227	
41-WJ0085-B00	WI RE BARE JUMPER 8.5MM	1	J302	
41-WJ0085-B00	WI RE BARE JUMPER 8.5MM	1	J403A	

Item No.	Description	Quantity Req.	Designator	Remarks
41-WJ0090-B00	WI RE BARE JUMPER 9MM	1	J014	
41-WJ0090-B00	WI RE BARE JUMPER 9MM	1	J225	
41-WJ0090-B00	WI RE BARE JUMPER 9MM	1	J601	
41-WJ0095-B00	WI RE BARE JUMPER 9.5MM	1	J404	
41-WJ0100-B00	WI RE BARE JUMPER 10MM	1	J221	
41-WJ0100-B00	WI RE BARE JUMPER 10MM	1	J402	
41-WJ0105-B00	WI RE BARE JUMPER 10.5MM	1	J223	
41-WJ0105-B00	WI RE BARE JUMPER 10.5MM	1	J224	
41-WJ0110-B00	WI RE BARE JUMPER 11MM	1	J009	
41-WJ0115-B00	WI RE BARE JUMPER 11.5MM	1	J918	
41-WJ0115-B00	WI RE BARE JUMPER 11.5MM	1	J217	
41-WJ0125-B00	WI RE BARE JUMPER 12.5MM	1	D408	
41-WJ0125-B00	WI RE BARE JUMPER 12.5MM	1	J002	
41-WJ0125-B00	WI RE BARE JUMPER 12.5MM	1	J003	
41-WJ0125-B00	WI RE BARE JUMPER 12.5MM	1	J102	
41-WJ0125-B00	WI RE BARE JUMPER 12.5MM	1	J306	
41-WJ0125-B00	WI RE BARE JUMPER 12.5MM	1	R306	
41-WJ0125-B00	WI RE BARE JUMPER 12.5MM	1	J409	
41-WJ0125-B00	WI RE BARE JUMPER 12.5MM	1	J211	
41-WJ0125-B00	WI RE BARE JUMPER 12.5MM	1	J910	
41-WJ0130-B00	WI RE BARE JUMPER 13MM	1	J204	
41-WJ0130-B00	WI RE BARE JUMPER 13MM	1	J212	
41-WJ0135-B00	WI RE BARE JUMPER 13.5MM	1	J006	
41-WJ0135-B00	WI RE BARE JUMPER 13.5MM	1	J215	
41-WJ0150-B00	WI RE BARE JUMPER 15MM	1	R620A	
41-WJ0150-B00	WI RE BARE JUMPER 15MM	1	L402	
41-WJ0150-B00	WI RE BARE JUMPER 15MM	1	J112	
41-WJ0165-B00	WI RE BARE JUMPER 16.5MM	1	J220	
41-WJ0175-B00	WI RE BARE JUMPER 17.5MM	1	J004	
41-WJ0175-B00	WI RE BARE JUMPER 17.5MM	1	J401	
41-WJ0175-B00	WI RE BARE JUMPER 17.5MM	1	J403	
41-WJ0180-B00	WI RE BARE JUMPER 18MM	1	R045	
45-OSC8M0-0Y0	CRYSTAL 8.0MHZ	1	X001	
45-SAW296-6M00G	SAW FILTER K2966M	1	Z101	
45-TRA5M5-0Y0	CER TRAP TPS 5.5MHZ	1	X203	
46-12866W-02X	PIN BASE *2 S11-02Y	1		P601 FOR FRONT CAB. (SPK)
46-20598W-04X	PIN BASE *4 TJC1-4A	1		P401 FOR DY CONNECTOR

Item No.	Description	Quantity Req.	Designator	Remarks
46-33079W-02X	PIN BASE *2 TJC3-2A	1		P602 FOR FRONT CAB. (SPK)
46-33079W-03X	PIN BASE *3 TJC3-3A	1	P203	
46-33079W-05X	PIN BASE *5 TJC3-5A	1		P201 FOR CRT BD P501
46-33079W-06X	PIN BASE *6 TJC3-6A	1		P904 FOR SIDE AV BD
46-35179W-04X	PIN BASE TJC3-4A	1		P402 FOR CRT BD P502
48-TAC002-XX0	TACT SWITCH	1	S001	
48-TAC002-XX0	TACT SWITCH	1	S002	
48-TAC002-XX0	TACT SWITCH	1	S003	
48-TAC002-XX0	TACT SWITCH	1	S004	
48-TAC002-XX0	TACT SWITCH	1	S005	
48-TAC002-XX0	TACT SWITCH	1	S006	
62-226920-OHA	LED HOLDER ABS-LG H121 (HB)	1		
62-227680-OUA	BRACKET ABS-KINGFA 606 (UO)	1		
62-291630-OHH	MTG SPACER FBT&H. SINK	1		
63-B40150-AB2	S/T SCREW B 4 X 15 AB	1		FOR FBT & H. SINK
64-P30060-104	M/C SCREW 3 X 6 (ZINC)	2		FOR IC401 & IC402
64-P30100-104	M/C SCREW P 3 X 10	2		FOR Q402 & IC301
65-Z30050-23M	NUT M 3	2		FOR Q402 & IC301
66-343730-0B0	HOLLOW RIVET 1.6X3.0XL3.2	2		FOR L412
66-343730-0B0	HOLLOW RIVET 1.6X3.0XL3.2	9		FOR T402
66-343730-0B0	HOLLOW RIVET 1.6X3.0XL3.2	2		FOR L411
66-343730-0B0	HOLLOW RIVET 1.6X3.0XL3.2	4		FOR C402, C421
66-343730-0B0	HOLLOW RIVET 1.6X3.0XL3.2	3		FOR Q402
67-H10918-4M2	HEAT SINK	2		FOR IC401 & IC402
67-H30752-3A0	HEAT SINK	2		FOR IC301 & Q402
70-271510-00A	SERVICE CARD	1		FOR PRODUCTION USE
71-270870-0A9	LABEL	2		
90-269080-ZUO	CLEAN COATING TC-131L 14KG/BARREL	0.0001		
25-DFB109-M1X	CAP. ELEC 1 UF 50V +/-20% NP	1	C916	
18-GJ0332-JUX	RES. CEMENT 3.3K 5W +/-5%	1	R402	
18-CB0472-JNX	CARBON RES. C.F. 4.7K OHM 1/6W +/-5%	1	R003	
18-CB0472-JNX	CARBON RES. C.F. 4.7K OHM 1/6W +/-5%	1	R004	
13-L7805C-VAP	IC L7805CV 1.5A (REGULATOR)	1	IC402	
02-IRRO01-XX1	IR RECEIVER MODULE HRM380017	1	IR001	
47-SV1002-XX0	Y/C SOCKET VERTICAL TYPE	1	P902	
11-SC1815-YBX	TRANSISTOR 2SC1815Y	1	Q906	
18-CB0103-JNX	RES. C.F. 10K OHM 1/6W +/-5%	1	R911	

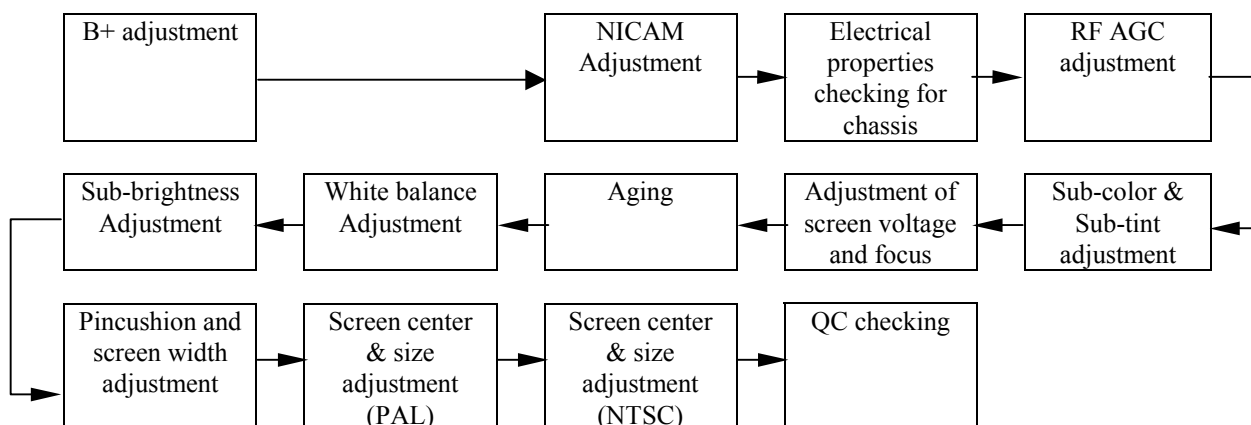
Item No.	Description	Quantity Req.	Designator	Remarks
18-CB0103-JNX	RES. C.F. 10K OHM 1/6W +/-5%	1	R913	
41-WJ0185-B00	WIRE BARE JUMPER 18.5MM	1	J905	
10-1N4148-ABX	DIODE 1N4148 (SWITCHING)	1	D406	
18-CB0153-JNX	RES. C.F. 15k OHM 1/6W +/-5%	1	R413	
18-CB0473-JNX	RES. C.F. 47k OHM 1/6W +/-5%	1	R412	
40-2113MH-MAE1X	P.C.B. MAIN BD	1		
34-A229K0-11X	COIL CHOKE 2.2 UH +/-10%	1	L081	
25-BCB220-M1X	CAP. ELEC 22 UF 16V +/-20%	1	C086	
41-WJ0050-B00	WIRE BARE JUMPER 5MM	1	JP104	
41-WJ0050-B00	WIRE BARE JUMPER 5MM	1	JP106	
41-WJ0100-B00	WIRE BARE JUMPER 10MM	1	J005	
41-WJ0135-B00	WIRE BARE JUMPER 13.5MM	1	J105	
41-WJ0150-B00	WIRE BARE JUMPER 15MM	1	J106	
66-343740-0B0	HOLLOW RIVET (2.3mmx4.0mmx3.5mm)	2		FOR R402
41-WJ0065-B00	WIRE BARE JUMPER 6.5MM	1	R130	
07-389VI5-NA0	TUNER TCLL79107B5B3	1	TU101	
26-ABC102-KBX	CAP. CER 1000 PF 50V +/-10% B	1	C112	
37-BSC250-2310X	FLYBACK BSC25-0231	1	T402	
18-CB0122-JNX	RES. C.F. 1.2k OHM 1/6W +/-5%	1	R016	
10-79C6V2-DBX	DIODE ZENER 6V2 1/2W 5%	1		FOR (-)& P43/IC201 TO (+)&GND
10-79C6V2-DBX	DIODE ZENER 6V2 1/2W 5%	1	D204	
27-MBC224-JOX	CAP. M.P.E 0.22UF 63V +/-5%	1	C105	
13-A30V03-TOP	MCU TMPA8823	1	IC201	
10-79C6V2-DBX	DIODE ZENER 6V2 1/2W 5%	1		FOR (-) & P44/IC201 TO (+)&GND
26-EBP101-JCS	CAP. CER 100 PF 50V +/-5%	1	C932	
26-EBP101-JCS	CAP. CER 100 PF 50V +/-5%	1	C084	
26-EBP101-JCS	CAP. CER 100 PF 50V +/-5%	1	C083	
26-EBP181-JCS	CAP. CER 180 PF 50V +/-5%	1	C207	
26-EBP221-JCS	CAP. CER 220 pF 50V +/-5%	1	C007	
26-EBP221-JCS	CAP. CER 220 pF 50V +/-5%	1	C104	
26-EBP221-JCS	CAP. CER 220 pF 50V +/-5%	1	C427	
26-EBP270-JCS	CAP. CER 27 pF 50V +/-5%	1	C010	
26-EBP270-JCS	CAP. CER 27 pF 50V +/-5%	1	C011	
26-EBP331-JCS	CAP. CER 330PF 50V +/-5%	1	C006	
26-EBP331-JCS	CAP. CER 330PF 50V +/-5%	1	C003	
26-EBP390-JCS	CAP. CER 39PF 50V +/-5%	1	C021	
26-EBP390-JCS	CAP. CER 39PF 50V +/-5%	1	C022	

Item No.	Description	Quantity Req.	Designator	Remarks
08-E2764H-PA1	ASS'Y - PACKING	1		
49-382550-BAT	BATTERY R06P AA 1.5V 5#	2		
72-E2764H-E36	OPERATION MANUAL	1		
74-022032-6WE	POLYBAG (23cmX34cmX0.06mm)	1		FOR OPERATION MANUAL
74-081081-80HAA	POLYBAG W/SUFFOCATION WARNING	1		
75-E276LL-CCO	POLYFOAM "LL"	1		
75-E276LR-CCO	POLYFOAM "LR"	1		
75-E276UL-CCO	POLYFOAM "UL"	1		
75-E276UR-CCO	POLYFOAM "UR"	1		
76-001465-OAT	CARTON BOX	1		
62-377580-OHD	SAFEGUARDING COVER PP-H1500 (HB)	2		
08-HS46FO-M28A	ASS'Y - IR HANDSET(4H)	1		
13-00AS12-13B	IC AS1213B	1	IC1501	
14-IRE05B-XX0	IR EMITTING DIODE TSAL6200	1	D1501	
18-CB0221-JNX	RES. C. F. 220 OHM 1/6W +/-5%	1	R1502	
18-CB0229-JNX	RES. C. F. 2.2 OHM 1/6W +/-5%	1	R1501	
25-HBB479-M1X	CAP. ELEC 4.7 UF 10V +/-20%	1	C1502	
40-113SLF-RMB	P. C. B. REMOTE HANDSET BD	1		
41-WJ0070-B00	WIRE BARE JUMPER 7MM	1	J1501	
45-COS455-KY1	CERAMIC RESONATOR 455KHz	1	X1501	
49-HS46FO-00X	RUBBER PAD KEYS	1		
55-HS46FB-OHA	CASE LOWER - REMOTE HANDSET	1		
55-HS46FD-OHA	DOOR BATT. - REMOTE HANDSET	1		
55-HS46FT-OHA	CASE UPPER - REMOTE HANDSET	1		
58-HS46F3-7UI	INLAY REMOTE HANDSET	1		
63-B26060-BT2	S/T SCREW B 2.6 X 6 BT	1		
67-X26968-OE2	BATT. TERMINAL (+/-)	1		
67-X31028-OE2	SPRING - BATTERY (-)	1		
67-X31029-OE2	SPRING - BATTERY (+)	1		
74-009022-60C	POLYBAG HANDSET (9CMX22CM)	1		
11-OBC337-OBX	TRANSISTOR (NPN) BC337-40	1	Q1501	
26-EBP101-JCS	CAP. CER 100 PF 50V +/-5%	1	C1503	
26-EBP101-JCS	CAP. CER 100 PF 50V +/-5%	1	C1504	
08-02135H-YUY	ASS'Y - YUV PARTS	1		
18-CB0101-JNX	RES. C. F. 100 OHM 1/6W +/-5%	1	R915	
18-CB0101-JNX	RES. C. F. 100 OHM 1/6W +/-5%	1	R916	
18-CB0750-JNX	RES. C. F. 75 OHM 1/6W +/-5%	1	R909	

Item No.	Description	Quantity Req.	Designator	Remarks
18-CB0750-JNX	RES. C. F. 75 OHM 1/6W +/-5%	1	R910	
25-BFB109-M1X	CAP. ELEC 1 UF 50V +/-20%	1	C910	
25-BFB109-M1X	CAP. ELEC 1 UF 50V +/-20%	1	C912	
41-WJ0080-B00	WIRE BARE JUMPER 8 MM	1	J901	
41-WJ0090-B00	WIRE BARE JUMPER 9MM	1	J902	
41-WJ0090-B00	WIRE BARE JUMPER 9MM	1	J903	
47-RCA040-XX0	RCA SOCKET AV-3. 2-9W-H	1	P901	
25-DFB109-M1X	CAP. ELEC 1 UF 50V +/-20% NP	1	C911	



## Flowchart chart of alignment procedure for M28B chassis:



### How to enter the D-Mode

1. press D-Mode ON/OFF key, and then you can enter the D-mode.
2. press VOLUME DOWN key on the unit until the volume decrease to minimum level, then press the DISPLAY key on the remote handset (don't release the volume key) and you can enter D- mode.

## ALIGNMENT PROCEDURE FOR M28B CHASSIS:

### I) Adjustment of B+ voltage

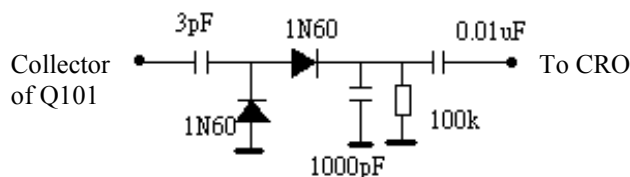
1. Apply 150-260VAC( $\pm 5V$ ) to mains power input, and Philips standard testing pattern to RF input.
2. Adjust VR801 in STANDARD mode until voltage at TP2 (B+) is  $112V \pm 0.5V$ .

### II) NICAM Adjustment (for NICAM model only)

1. Apply a 38.9MHz color bar with NICAM signal to the IF input.
2. Monitor the DC voltage at pin 15 of IC1101.
3. Adjust T1101 until the voltage at pin 15 of IC1101 becomes  $2.5 \pm 0.1V$ .
4. Then check the waveform at pin 4 and 6 of P1103 and it must show correct audio signal.

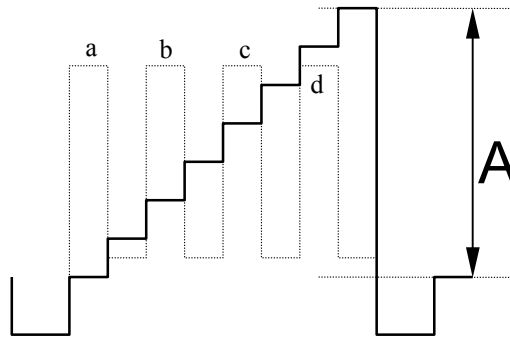
### III) The alignment of RFAGC

1. Connect the detector shown below to collector of Q101.
2. Receive a grey scale signal with  $70dB \mu V$  amplitude.
3. Adjust RFAGC item until the output of the detector becomes  $0.8V_{pp}$



#### **IV) Adjustment of Sub-contrast, Sub-tint and Sub-colour for NSTC and PAL signal.**

1. Enter D-mode, and connect the probe of Oscilloscope to the conjunction between R201 and P201 (B-out).
2. Apply the Grey-scale/Colour-bar (NTSC signal) to the AV input, in STANDARD status.
3. Select CNTC to adjust the sub-contrast, until that the amplitude "A" is  $2.5V_{p-p}$  as shown below.
4. Select COLC to adjust the sub-colour by tuning the amplitude of "a" and "d" to the same.
5. Select TNTC to adjust the sub-tint by tuning the amplitude of "b" and "c" to the same.
6. Apply the Grey-scale/Colour-bar (PAL signal) to the AV input, in STANDARD status.
7. Select COLP to adjust the sub-colour by tuning the amplitude of "a", "b", "c" and "d" to the same.



#### **V) Adjustment of Focus, Screen Voltage and Sub-brightness**

1. Receive a crosshatch pattern.
2. Adjust the "FOCUS" VR on the flyback to make the picture clear.
3. Enter D-mode and press "MUTE" key and the screen will become a horizontal line. Then adjust the "SCREEN" VR on the flyback transformer to set the intensity of the line to a minimum visible level (the line can just be seen).
4. Press "MUTE" key again and the TV will become full raster.
5. Select BRTC to adjust the sub-brightness, until that the 2<sup>nd</sup> dark bar of 8 level grey scales just can be seen.

#### **VI) Adjustment of White balance**

1. Receive a black and white pattern at STANDARD status.
2. Use a color analyzer to measure the black side of the screen. By changing the value of BB and GB, set the reading of the color analyzer to  $x=284, y=299$ .
3. Then measure the white side of the screen. By changing the value of BD and GD, set the reading of the color analyzer to  $x=284, y=299$ .
4. Repeat step 2&3 until you can get the correct reading for both black and white sides.

#### **VII) Adjustment of Pincushion and Picture Width (for pure flat model only)**

1. Receive a crosshatch pattern.
2. Adjust VR302 until the vertical line become straight.
3. Adjust VR303 for horizontal size.

### **VIII) Adjustment of Picture Geometry (PAL)**

1. Apply the crosshatch pattern (PAL signal) to the RF input, in STANDARD status.
2. Select HPOS to adjust the Horizontal center.
3. Select VP50 to adjust the Vertical center.
4. Select HIT to adjust the Vertical amplitude.
5. Select VLIN to adjust the vertical linearity.
6. Select VSC to adjust the vertical S-correction.

### **IX) Adjustment of Picture Geometry (NTSC)**

1. Apply the crosshatch pattern (NTSC signal) to the RF input, in STANDARD status.
2. Select HPS to adjust the Horizontal center.
3. Select VP60 to adjust the Vertical center.
4. Select HITS to adjust the Vertical amplitude.
5. Select VLIS to adjust the vertical linearity.
6. Select VSS to adjust the vertical S-correction.

### **X) Adjustment of OSD position**

1. Enter D-mode and press key "1", then choose OSDH(OSDHS) item and adjust the OSD vertical position 50HZ(60HZ).
2. Enter D-mode and press key "NOTE", then choose the OSD1 item and adjust the OSD horizontal position(Volume bar,Picture bar,Half blue panel OSD).
3. Enter D-mode and press key "NOTE", then choose the OSD2 item and adjust the OSD horizontal position except OSD1 item.

After enter D-mode you can adjust the setting according to the following procedure,

ITEM	Description	Initial
<b>GROUP1</b>	<b>KEY 0</b>	
RB	R CUT OFF	
GB	G CUT OFF	
BB	B CUT OFF	
GD	G DRIVE	
BD	B DRIVE	

<b>GROUP2</b>	<b>KEY 1</b>	
HPOS/	Horizontal Position 50HZ	
HPS	Horizontal Position 60HZ	
HIT/	Hight 50Hz	
HITS	hight 60 hz	
VP50	Vertical Position 50Hz	
VP60	Vertical Position 60HZ	
VLIN	V Linearity 50Hz	
VLIS	V Linearity 60hz	
VSC	VS Correction 50Hz	
VSS	VS Correction 60HZ	
VLK	V BLK Start / Stop	
VCEN	V CENTERING	
OSDH	OSD vertical position 50HZ	
OSDHS	OSD vertical position 60HZ	

<b>GROUP 3</b>	<b>KEY 3</b>	
CNTX	CONTRAST MAX.	
CNTN	CONTRAST MIN.	
BRTX	BRIGHT MAX.(difference from center)	
BRTN	BRIGHT MIN.(difference from center)	
COLX	COLOR MAX.(difference from center)	
COLN	COLOR MIN.	
TNTX	TINT MAX.(difference from center)	
TNTN	TINT MIN.(difference from center)	

<b>GROUP 4</b>	<b>KEY 4</b>	
BRTC	BRIGHT CENTER	
COLC	COLOR CENTER NTSC	
COLS	COLOR CENTER SECAM	
COLP	COLOR CENTER PAL(shift data from COLC)	
SCOL	SUB COLOR ( Cr input (#21) gain up)	
SCNT	SUB CONTRAST	
CNTC	CONTRAST CENTER	
TNTC	TINT CENTER	

<b>GROUP 5</b>	<b>KEY 5</b>	
ST3	SHARP CENTER 3.58NTSC TV	
SV3	SHARP CENTER 3.58NTSC VIDEO	
ST4	SHARP CENTER OTHER TV	
SV4	SHARP CENTER OTHER VIDEO	
SVD	SHARP CENTER DVD	
ASSH	ASYMMETRY-SHARPNESS	
SHPX	SHARP MAX.(difference from center)	

SHPN	SHARP MIN.(difference from center)	
GROUP 6	KEY 6	
OPT	OPTION DATA	
	0 D mode key 0: No use 1 :use	
	1 0:normal 1: mute sound when no sync in TV	
	2 0:NORMAL 1: mute video during change channle	
	3 au gain 0:50khz 1: 25khz	
	4 when no sync 1: AFT 0: no AFT	
	5 AV change 1: mute 0: no mute sound	
	6 Korea PAL50 BLINK function 1:enable 0:disable	
	7 standby state 0: high standby 1: low standby	
FLG0		
	0 OVER MOD	
	1 N Buzz Cancel	
	2	
	3 SLO f0 shift	
	4 hotel mode TV mode enter	
	5 hotel mode av mode enter	
	6 hotel mode	
	7 vco readjust when position select 0:enable 1:disable	
FLG1		
	0 1: 7 key 0: 6 key	
	1 Secam 0:disable 1:enable	
	2 LOGO 0:disable 1:enable	
	3 TINT por	
	4 PIF SELECT 01:45.75 MHZ	
	5 011 :38.9MHZ	
	6 100 :38MHZ	
	7 APC 1:AUTO 0:PRESET	
STBY		
	0	
	1	
	2 hd kill timer set *40us	
	3	
	4 when STBY.5=0 ,after AC on 0: standby 1: power on	
	5 after AC power on, 0: ref STBY.4 1: last state	
	6 auto sleep function	
	7	
MODE0		
	0 NICAM 0:DISABLE 1:ENABLE	
	1 English language select	
	2 Russia language select	
	3 vietnam language select	
	4 mute type 0: y mute 1: RGB mute	
	5 when mode0.7 = 1 ; preset sound system after ASM	
	6 00: BG 01 :I 10:DK 11: M	
	7 preset sound system after ASM 0:disable 1:enable	
MODE1		
	0 BG system enable	
	1 I system enable	
	2 DK system enable	

	3	M system enable	
	4	VIDEO2 enable	
	5	video3 enable	
	6	YUV enable	
	7	Thailand Dual language 0:Disable 1:Enable	
MUTT		standby -->wake time	
STAT		contrast up timer afer standby off	

GROUP 7	KEY 7	
RF AGC	RF AGC	
SBY	SECAM B-Y BLACK ADJUST	
SRY	SECAM R-Y BLACK ADJUST	
BRTS	SUB BRIGHT shift data of BRTC	
TXCX	TEXT RGB CONTRAST MAX.	
RGCN	TEXT RGB CONTRAST MIN.	
SECD	SECAM MODE	

GROUP 9	KEY 8	
V25	VOLUME 25	
V50	VOLUME 50	
V100	VOLUME 100	

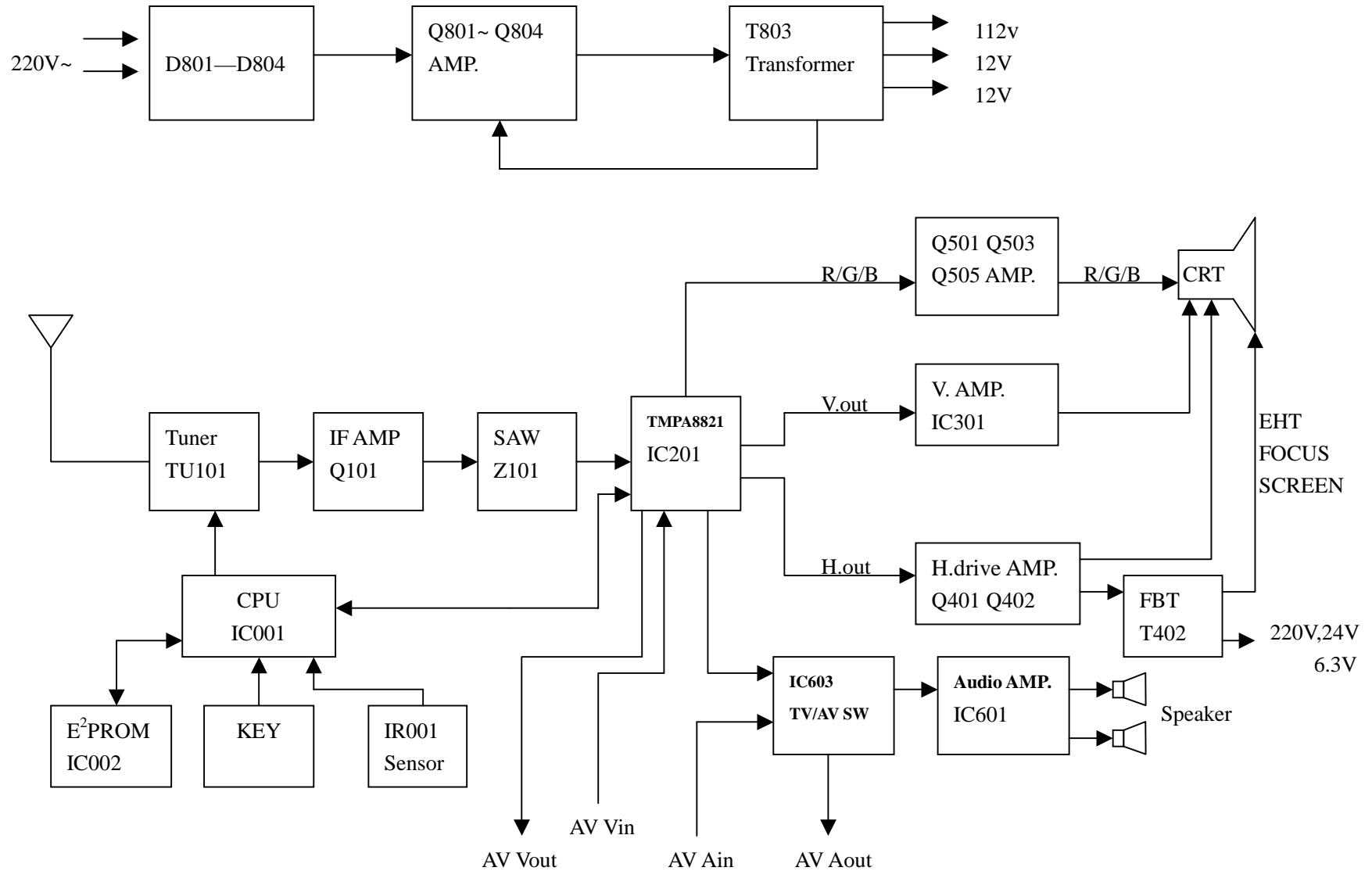
GROUP 10	KEY 9	
SVM	SVM	
PYNX	Normal H.SYNC max	
PYNN	Normal H.SYNC min	
PYXS	Search H.SYNC max	
PYNS	Search H.SYNC min	

GROUP 11	KEY CALENDAR	
CLTO	TV mode & SOUND SYS != M	
CLTM	TV mode & SOUND SYS = M	
CLVO	VIDEO	
CLVD	YUV MODE	
CLTO CLTM CLVO CLVD bit setting		
	7	KILLER OFF
	6	P/N ID
	5	C GAMMA
	4	NTSC-MATRIX
	3	
	2	
	1	Y DL
	0	
ABL	ABL SETUP	
	5	TB1254N RGB ABL
	4	TB1254N WPS
	3	ABLpoint setup
	2	
	1	
	0	
DCBS	VIDEO DATA SETUP	

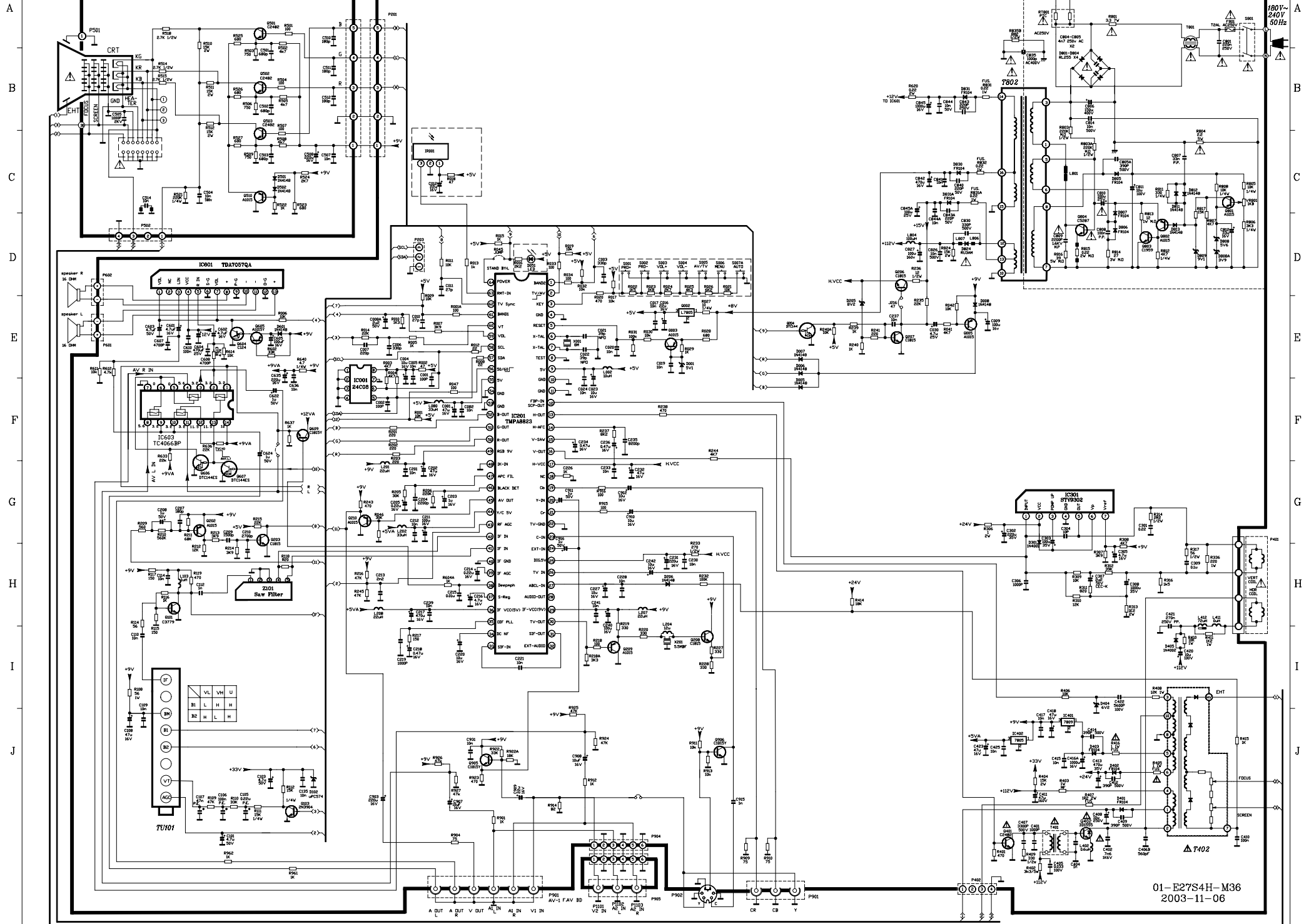
	0~3	Y GAMMA BLACK STRETCH	
	4~5	OSD LEVEL	
DEF		V AGC SELECT	
	0	V AGC reference, 0:depends on YC Vcc	
	1	Depends on integrated regulator	

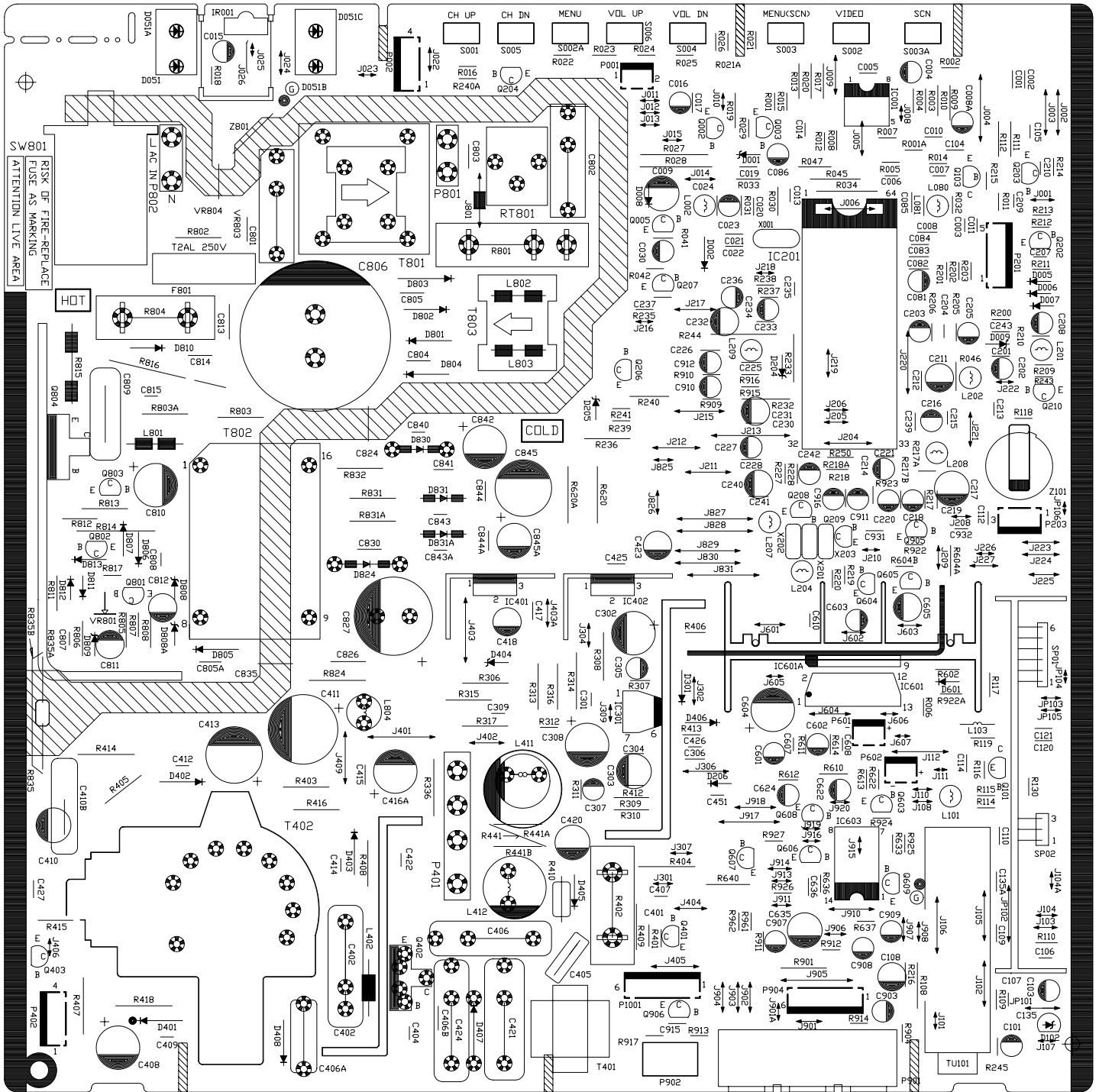
GROUP 14		KEY NOTE-BOOK	
OSD1		OSD Horizontal Position(volume bar, Picture bar,Half blue panel OSD)	
OSDF1		OSD PLL DATA(volume bar, Picture bar,Half blue panel OSD)	
OSD2		OSD Horizontal Position except OSD1 items	
OSDF2		OSD PLL DATA except OSDF1 items	
HAFC			
	0	when nois.2 = 1 ; TV hafc gain	
	1	if nois.2 = 0 TV hafc gain depend on noise(0~1)	
	2	in video mode hafc gain	
	3		
NOIS		HAFC DATA	
	0	noise det	
	1		
	2	fix the hafc gain	
UCOM		MCU DATA	

\*Reset EEPROM Data: Press D-mode and Press 0752.





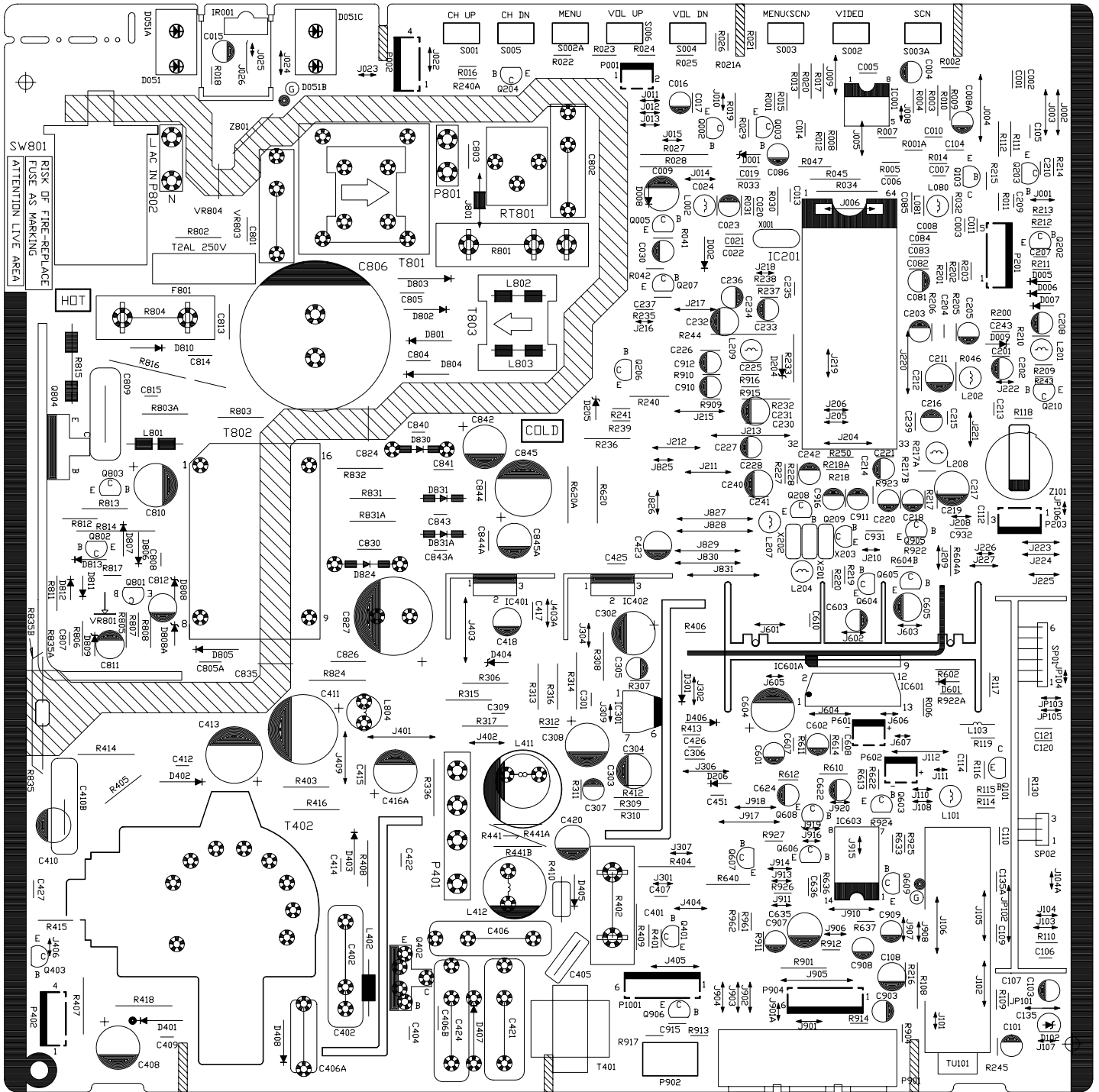




RISK OF FIRE-REPLACE FUSE AS MARKING ATTENTION LIVE AREA

HOT

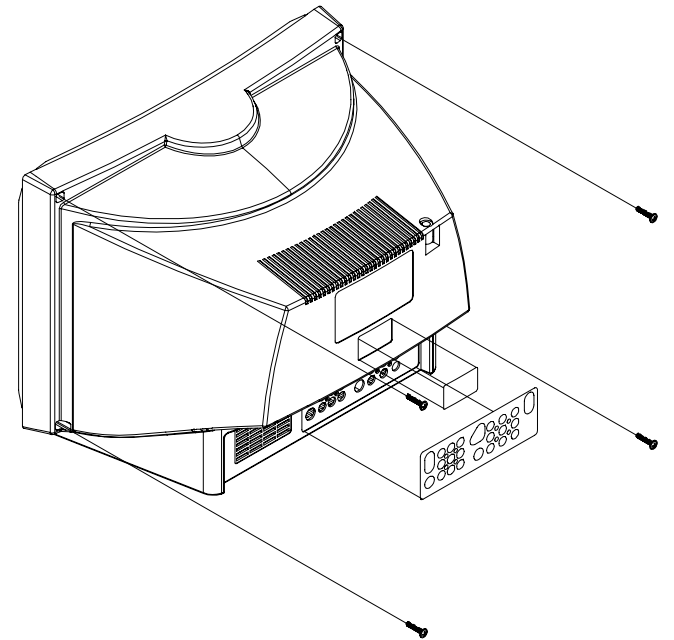
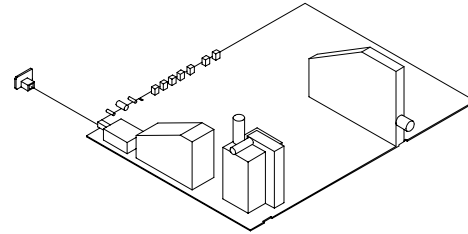
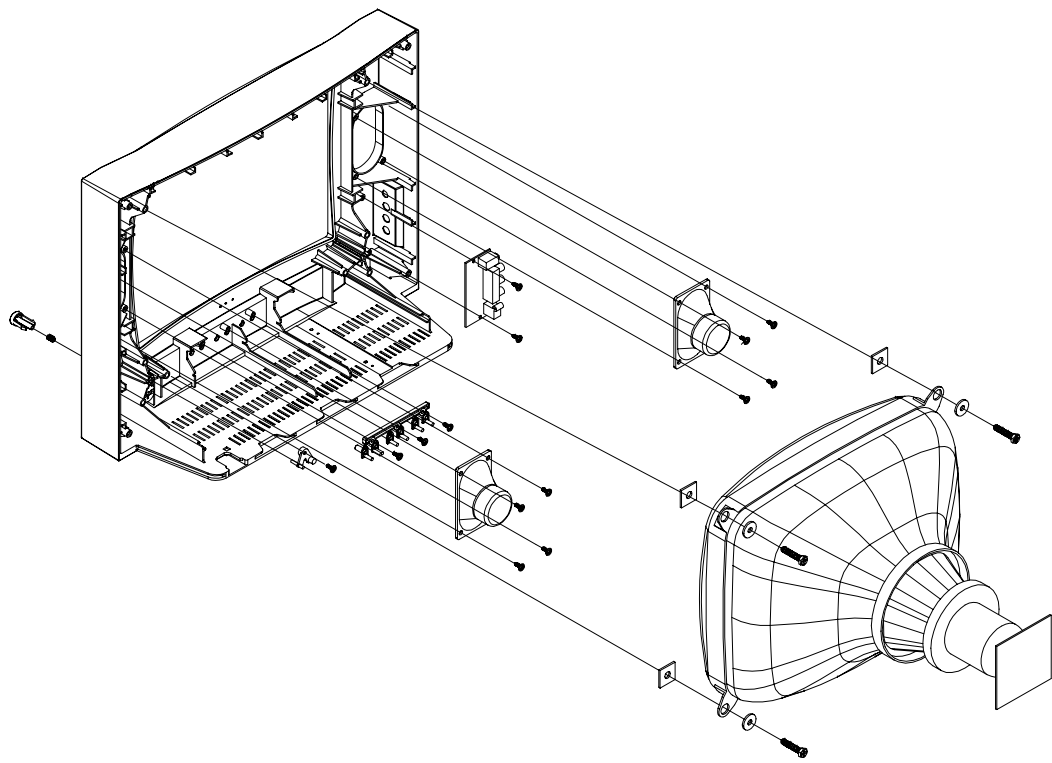
COLD



RISK OF FIRE-REPLACE FUSE AS MARKING ATTENTION LIVE AREA

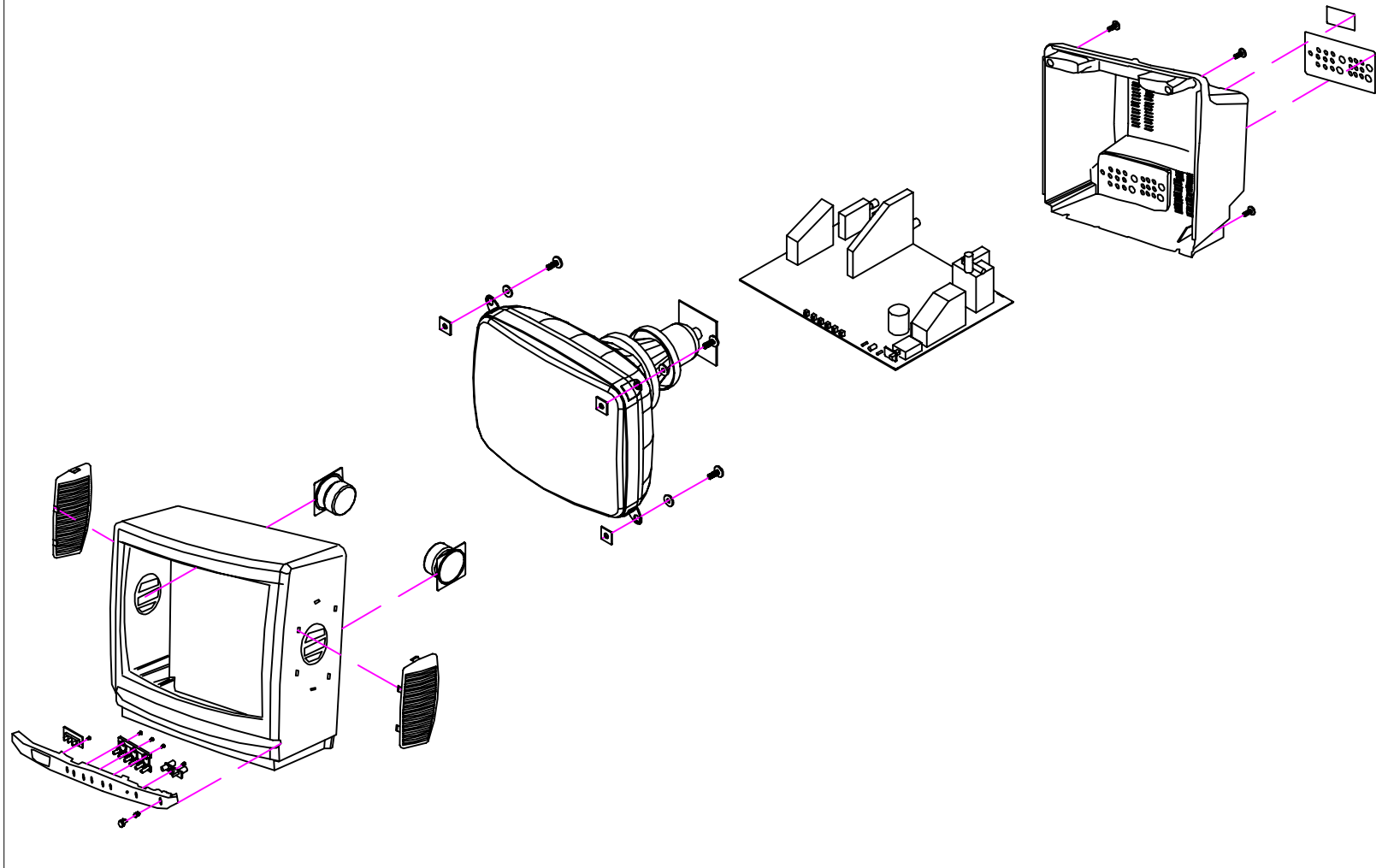
HOT

COLD



# ELENBERG 1420

1419EXPLODE



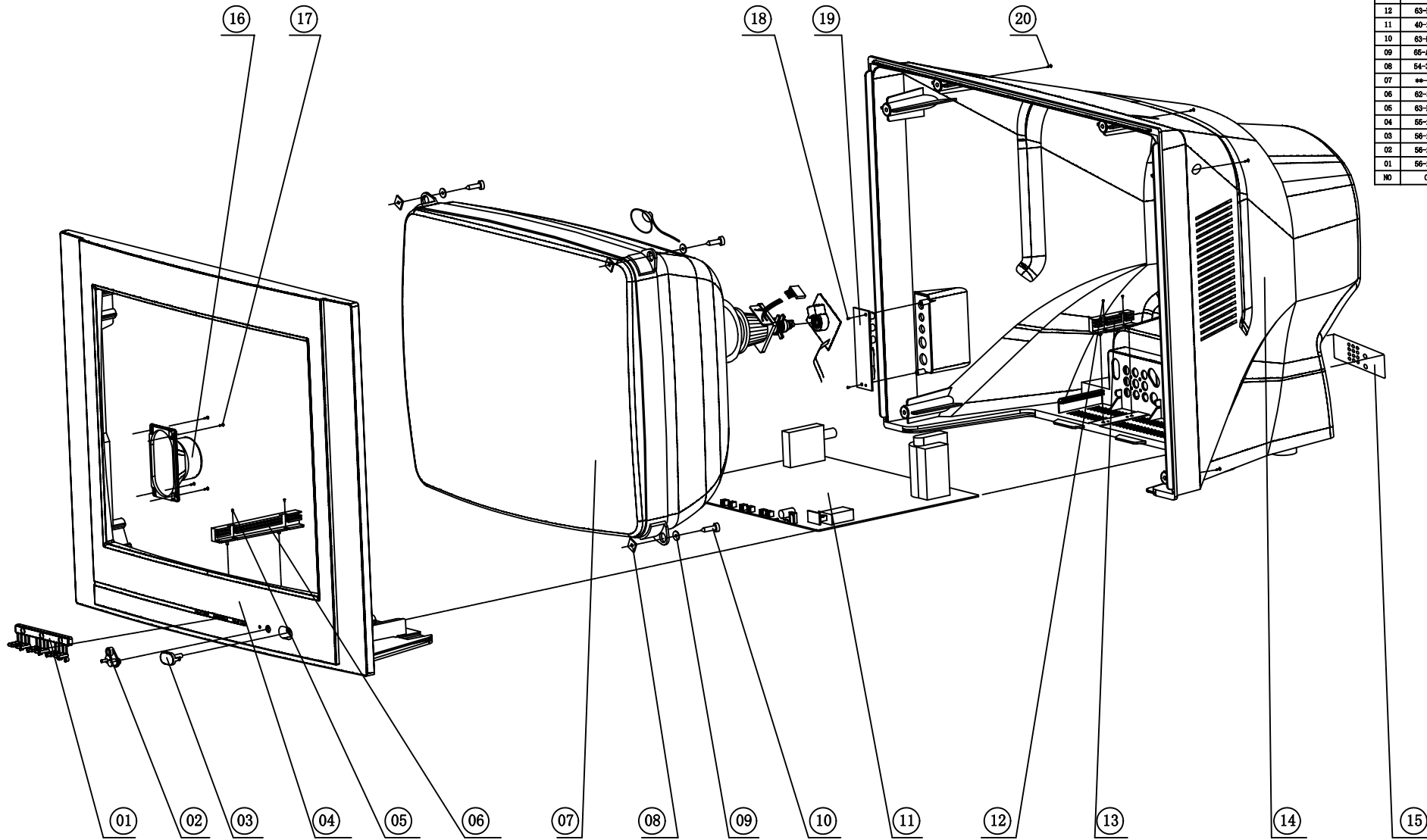
Plant:		1022	PartNo:		97-1419MH-UR36C			Prod Spec:	P/S & BG DK NTSC-AV RCA			
Order:		40008049	Lot:		SOT600044A			Print Date:	23.11.2006			
Order Qty:		2,304.000	Lot Qty:		2,304.000			Last Date:	31.10.2006			
ASS:		08-BEISUN-STDCRT	W CENTER:		CSP			Last Time:	11:48:13			
ASS Name:		ASS'Y - METCH TUBE NOMINAL	Status:		Delivered							
	PART NO.		SEPC		QUANTITY	SINGLE Q	LOCATION			PECN NO.	ALT	UNIT
	02-IRR001-XX1		IR RECEIVER MODULE HRM380		12.000	0.005						PC
	06-015W30-A241X		REMOTE CONTROLLER		23.000	0.010						PC
	07-380V15-NA7G		38.0MHZ +5V TUNER TCL7910		23.000	0.010						PC
	10-0FR104-FBX		DIODE FR104 (FAST RECTIFI		12.000	0.005						PC
	10-0FR104-FBX		DIODE FR104 (FAST RECTIFI		12.000	0.005						PC
	10-0FR104-FBX		DIODE FR104 (FAST RECTIFI		12.000	0.005						PC
	10-0FR104-FBX		DIODE FR104 (FAST RECTIFI		12.000	0.005						PC
	10-0FR104-FBX		DIODE FR104 (FAST RECTIFI		12.000	0.005						PC
	10-0FR104-FBX		DIODE FR104 (FAST RECTIFI		12.000	0.005						PC
	10-0FR104-FBX		DIODE FR104 (FAST RECTIFI		12.000	0.005						PC
	10-0FR104-FBX		DIODE FR104 (FAST RECTIFI		12.000	0.005						PC
	10-0FR104-FBX		DIODE FR104 (FAST RECTIFI		12.000	0.005						PC
	10-0FR104-FBX		DIODE FR104 (FAST RECTIFI		12.000	0.005						PC
	10-0FR104-FBX		DIODE FR104 (FAST RECTIFI		12.000	0.005						PC
	10-0RL255-EBX		DIODE RL255 OR RL206(POWE		12.000	0.005						PC
	10-0RL255-EBX		DIODE RL255 OR RL206(POWE		12.000	0.005						PC
	10-0RL255-EBX		DIODE RL255 OR RL206(POWE		12.000	0.005						PC
	10-0RL255-EBX		DIODE RL255 OR RL206(POWE		12.000	0.005						PC
	10-0RU3AM-FBX		HIGH EFFICIENCY RECTIFIER		12.000	0.005						PC
	10-1N4001-EBX		DIODE 1N4001 (RECTIFIER)		12.000	0.005						PC
	10-1N4002-EBX		DIODE 1N4002 (RECTIFIER)		12.000	0.005						PC
	10-1N4148-ABX		DIODE 1N4148 (SWITCHING)		12.000	0.005						PC
	10-1N4148-ABX		DIODE 1N4148 (SWITCHING)		12.000	0.005						PC
	10-1N4148-ABX		DIODE 1N4148 (SWITCHING)		12.000	0.005						PC
	10-1N4148-ABX		DIODE 1N4148 (SWITCHING)		12.000	0.005						PC
	10-1N4148-ABX		DIODE 1N4148 (SWITCHING)		12.000	0.005						PC
	10-1N4148-ABX		DIODE 1N4148 (SWITCHING)		12.000	0.005						PC
	10-1N4148-ABX		DIODE 1N4148 (SWITCHING)		12.000	0.005						PC
	10-1N4148-ABX		DIODE 1N4148 (SWITCHING)		12.000	0.005						PC
	10-1N4148-ABX		DIODE 1N4148 (SWITCHING)		12.000	0.005						PC
	10-1N4148-ABX		DIODE 1N4148 (SWITCHING)		12.000	0.005						PC
	10-1N4148-ABX		DIODE 1N4148 (SWITCHING)		12.000	0.005						PC
	10-1N4148-ABX		DIODE 1N4148 (SWITCHING)		12.000	0.005						PC
	10-1N4148-ABX		DIODE 1N4148 (SWITCHING)		12.000	0.005						PC
	10-79C3V9-DBX		DIODE ZENER 3V9 1/2W 5%		12.000	0.005						PC
	10-79C5V1-DBX		DIODE ZENER 5V1 1/2W 5%		12.000	0.005						PC
	10-79C5V6-DBX		DIODE ZENER 5V6 1/2W 5%		12.000	0.005						PC
	10-79C6V2-DBX		DIODE ZENER 6V2 1/2W 5%		12.000	0.005						PC
	10-79C6V2-DBX		DIODE ZENER 6V2 1/2W 5%		12.000	0.005						PC
	10-79C6V2-DBX		DIODE ZENER 6V2 1/2W 5%		12.000	0.005						PC
	10-79C8V2-DBX		DIODE ZENER 8V2 1/2W 5%		12.000	0.005						PC
	10-79C9V1-DBX		DIODE ZENER 9V1 1/2W 5%		12.000	0.005						PC
	10-CW574C-DJX		DIODE CW574CD		12.000	0.005						PC
	11-2N3904-0BX		TRANSISTOR 2N3904 (NPN)		12.000	0.005						PC
	11-C124ES-0BX		TRANSISTOR PDTC124ES (NP		12.000	0.005						PC
	11-C144ES-0BX		TRANSISTOR PDTC144ES (NPN		12.000	0.005						PC
	11-C144ES-0BX		TRANSISTOR PDTC144ES (NPN		12.000	0.005						PC
	11-C144ES-0BX		TRANSISTOR PDTC144ES (NPN		12.000	0.005						PC
	11-DD1555-0AX		TRANSISTOR 3DD1555		12.000	0.005						PC
	11-SA1015-YBX		TRANSISTOR ST2SA1015Y (PN		12.000	0.005						PC
	11-SA1015-YBX		TRANSISTOR ST2SA1015Y (PN		12.000	0.005						PC
	11-SA1015-YBX		TRANSISTOR ST2SA1015Y (PN		12.000	0.005						PC
	11-SA1015-YBX		TRANSISTOR ST2SA1015Y (PN		12.000	0.005						PC
	11-SA1015-YBX		TRANSISTOR ST2SA1015Y (PN		12.000	0.005						PC
	11-SA1015-YBX		TRANSISTOR ST2SA1015Y (PN		12.000	0.005						PC
	11-SA1015-YBX		TRANSISTOR ST2SA1015Y (PN		12.000	0.005						PC
	11-SA1015-YBX		TRANSISTOR ST2SA1015Y (PN		12.000	0.005						PC
	11-SA1015-YBX		TRANSISTOR ST2SA1015Y (PN		12.000	0.005						PC
	11-SC1815-YBX		TRANSISTOR 2SC1815-Y (NPN		12.000	0.005						PC

11-SC1815-YBX	TRANSISTOR 2SC1815-Y (NPN)	12.000	0.005						PC
11-SC1815-YBX	TRANSISTOR 2SC1815-Y (NPN)	12.000	0.005						PC
11-SC1815-YBX	TRANSISTOR 2SC1815-Y (NPN)	12.000	0.005						PC
11-SC1815-YBX	TRANSISTOR 2SC1815-Y (NPN)	12.000	0.005						PC
11-SC1815-YBX	TRANSISTOR 2SC1815-Y (NPN)	12.000	0.005						PC
11-SC1815-YBX	TRANSISTOR 2SC1815-Y (NPN)	12.000	0.005						PC
11-SC1815-YBX	TRANSISTOR 2SC1815-Y (NPN)	12.000	0.005						PC
11-SC1959-YBX	TRANSISTOR 2SC1959-Y	12.000	0.005						PC
11-SC2482-OBX	TRANSISTOR 2SC2482	12.000	0.005						PC
11-SC2482-OBX	TRANSISTOR 2SC2482	12.000	0.005						PC
11-SC2482-OBX	TRANSISTOR 2SC2482	12.000	0.005						PC
11-SC2482-OBX	TRANSISTOR 2SC2482	12.000	0.005						PC
11-SC3779-DBX	TRANSISTOR 2SC3779D (RF A	12.000	0.005						PC
11-SC5586-0AX	TRANSISTOR 2SC5586	12.000	0.005						PC
13-000040-66P	IC HFE4066BP	12.000	0.005						PC
13-00M24C-08P	IC EEPROM 8K M24C08 (WRIT	12.000	0.005						PC
13-A30V02-TOP	MCU TMPA8821	12.000	0.005						PC
13-CW7805-CSS	IC CW7805CS	12.000	0.005						PC
13-CW7805-CSS	IC CW7805CS	12.000	0.005					*	PC
13-CW7809-CSS	IC CS7809S	12.000	0.005					*	PC
13-STV930-2BS	IC STV9302B	12.000	0.005						PC
13-TDA705-7AS	IC TDA7057AQ (2X8W)	23.000	0.010						PC
18-EF0109-JGX	RES. FUS. 1 OHM 1W +/-5%	12.000	0.005						PC
18-EF0109-JGX	RES. FUS. 1 OHM 1W +/-5%	12.000	0.005						PC
18-EF0109-JGX	RES. FUS. 1 OHM 1W +/-5%	12.000	0.005						PC
18-EF0109-JGX	RES. FUS. 1 OHM 1W +/-5%	12.000	0.005						PC
18-EF0228-JGX	RES. FUS. 0.22 OHM 1W +/-	12.000	0.005						PC
18-EF0228-JGX	RES. FUS. 0.22 OHM 1W +/-	12.000	0.005						PC
18-EF0228-JGX	RES. FUS. 0.22 OHM 1W +/-	12.000	0.005						PC
18-EF0228-JGX	RES. FUS. 0.22 OHM 1W +/-	12.000	0.005						PC
18-EG0159-JHX	RES. FUS. 1.5 OHM 2W +/-5	12.000	0.005						PC
18-GJ0229-KUX	RES. CEMENT 2.2 OHM 5W +/	12.000	0.005						PC
18-GJ0332-JUX	RES. CEMENT 3.3K 5W +/-5%	12.000	0.005						PC
18-GJ0339-KUX	RES. WIRE ROUND 3.3 OHM 5	12.000	0.005						PC
22-PTC200-XX0	POSISTOR 20 OHM (25-34)	12.000	0.005						PC
25-BLA100-M1X	CAP. ELEC 10 UF 250V +/-2	12.000	0.005						PC
25-BLB109-M1X	CAP. ELEC 1 UF 250V +/-20	12.000	0.005						PC
25-BMJ101-M1X	CAP. ELEC 100 UF 400V +/-	12.000	0.005						PC
26-AIC102-KBX	CAP. CER 1000 PF 500V +/-	12.000	0.005						PC
26-AIC102-KBX	CAP. CER 1000 PF 500V +/-	12.000	0.005						PC
26-AIC221-KBX	CAP. CER 220 PF 500V +/-1	12.000	0.005						PC
26-AIC221-KBX	CAP. CER 220 PF 500V +/-1	12.000	0.005						PC
26-AIC221-KBX	CAP. CER 220 PF 500V +/-1	12.000	0.005						PC
26-AIC332-KBX	CAP. CER 3300 PF 500V +/-	12.000	0.005						PC
26-AIC391-KBX	CAP. CER 390 PF 500V +/-1	12.000	0.005						PC
26-AIC391-KBX	CAP. CER 390 PF 500V +/-1	12.000	0.005						PC
26-AIC391-KBX	CAP. CER 390 PF 500V +/-1	12.000	0.005						PC
26-AIC391-KBX	CAP. CER 390 PF 500V +/-1	12.000	0.005						PC
26-AIL103-KBX	CAP. CER 10NF 500V +/-10%	12.000	0.005						PC
26-AIL103-KBX	CAP. CER 10NF 500V +/-10%	12.000	0.005						PC
26-AIL103-KBX	CAP. CER 10NF 500V +/-10%	12.000	0.005						PC
26-AMM102-KBX	CAP. CER 1000 PF 2KV +/-1	12.000	0.005						PC
26-AMM331-JZX	CAP. CER 330 PF 2KV +/-5%	12.000	0.005						PC
26-AMM331-JZX	CAP. CER 330 PF 2KV +/-5%	12.000	0.005						PC
26-APK102-ME4	CAP. CER 1000PF 400VAC+/-	12.000	0.005						PC
26-AQK472-ZFX	CAP. CER 4700PF 250VAC +8	12.000	0.005						PC
26-AQK472-ZFX	CAP. CER 4700PF 250VAC +8	12.000	0.005						PC
37-050119-1400X	FLYBACK JF0501-1914 (14/H	23.000	0.010						PC
42-D7616C-XX0	SPEAKER 16 OHM 3W	23.000	0.010						PC
42-D7616C-XX0	SPEAKER 16 OHM 3W	23.000	0.010						PC
45-OSC8M0-0Y0	CRYSTAL 8.0MHZ	12.000	0.005						PC
45-SAW295-9M0	SAW FILTER K2959M (PIF 38	12.000	0.005						PC
45-TRA5M5-0Y0	CER TRAP TPS 5.5MHZ	12.000	0.005						PC
45-TRA6M5-0Y0	CER TRAP TPS 6.5MHZ	12.000	0.005						PC
47-CRT001-XX1	SOCKET CRT GZS8-6-AC	23.000	0.010						PC

48-POW001-AX0		SWITCH POWER	12.000	0.005							PC
48-TAC002-XX0		TACT SWITCH	12.000	0.005							PC
48-TAC002-XX0		TACT SWITCH	12.000	0.005							PC
48-TAC002-XX0		TACT SWITCH	12.000	0.005							PC
48-TAC002-XX0		TACT SWITCH	12.000	0.005							PC
48-TAC002-XX0		TACT SWITCH	12.000	0.005							PC
48-TAC002-XX0		TACT SWITCH	12.000	0.005							PC
50-02000D-1GS1G		FUSE 2.0AT 250VAC 5MMX20M	23.000	0.010							PC
51-DC0243-0CH01		POWER CORD VDE PLUG W/HOU	12.000	0.005							PC
76-01419A-0AT9Z		CARTON BOX	12.000	0.005							PC

# ELENBERG 2130

## Explode TV 21268



NO	CODE NO	DESCRIPTION	QTY
20	63-840200-AB2	SCREW B 4 X 20 AB	6
19	40-21288H-SIB1X	SI PCB	1
18	63-830100-AB4	SCREW B 3 X 10 AB	2
17	63-830100-AB4	SCREW B 3 X 10 AB	8
16	42-509160-XX0	SPEAKER 16 OHM 5W	2
15	58-2106H1-8UI	RI AY FILM	1
14	55-21K2PC-OCN	REAR CABINET	1
13	62-345700-OUN	ATTACHMENT RAIL	1
12	63-830100-AB4	SCREW B 3 X 10 AB	2
11	40-2113MH-MAE1X	MA PCB	1
10	63-860250-AB4	SCREW H 6 X 25 AB	4
09	65-860180-20E	EXT. TOOTH WASHER 6 X 18 X 2	4
08	64-314740-0X0	CRT FIBRE SHEET	4
07	** ***** **	CRT	1
06	62-345690-1UN	ATTACHMENT RAIL	1
05	63-830100-AB4	SCREWS B 3 X 10 AB	2
04	55-21K2PC-OCN	FRONT CABINET	1
03	56-21K2PK-OHA	POWER KNOB	1
02	56-21K2LE-OHC	LENS	1
01	66-21K2FB-OHA	FURTION BOTTON	1
NO	CODE NO	DESCRIPTION	QTY



Plant:		1022	PartNo:	97-D268MH-UR36A	Prod Spec:	ASS'Y - METCH TUBE NOMINAL				
Order:		40006282	Lot:	SOT600023D	Print Date:	23.11.2006				
Order Qty:		2,112.000	Lot Qty:	2,112.000	Last Date:	30.08.2006				
ASS:		08-BEISUN-STDCRT	W CENTER:	CSP	Last Time:	10:36:46				
ASS Name:		ASS'Y - METCH TUBE NOMINAL	Status:	Delivered						
	PART NO.	SEPC		QUANTITY	SINGLE Q	LOCATION		PECN NO.	ALT	UNIT
	02-IRR001-XX1	IR RECEIVER MODULE HRM380		11.000	0.005					PC
	06-015W30-A241X	REMOTE CONTROLLER		21.000	0.010					PC
	07-380V15-NA7	TUNER TCL79107D5B3		21.000	0.010					PC
	10-0FR104-FBX	DIODE FR104 (FAST RECTIFI		11.000	0.005					PC
	10-0FR104-FBX	DIODE FR104 (FAST RECTIFI		11.000	0.005					PC
	10-0FR104-FBX	DIODE FR104 (FAST RECTIFI		11.000	0.005					PC
	10-0FR104-FBX	DIODE FR104 (FAST RECTIFI		11.000	0.005					PC
	10-0FR104-FBX	DIODE FR104 (FAST RECTIFI		11.000	0.005					PC
	10-0FR104-FBX	DIODE FR104 (FAST RECTIFI		11.000	0.005					PC
	10-0FR104-FBX	DIODE FR104 (FAST RECTIFI		11.000	0.005					PC
	10-0FR104-FBX	DIODE FR104 (FAST RECTIFI		11.000	0.005					PC
	10-0FR104-FBX	DIODE FR104 (FAST RECTIFI		11.000	0.005					PC
	10-0RL255-EBX	DIODE RL255 OR RL206(POWE		11.000	0.005					PC
	10-0RL255-EBX	DIODE RL255 OR RL206(POWE		11.000	0.005					PC
	10-0RL255-EBX	DIODE RL255 OR RL206(POWE		11.000	0.005					PC
	10-0RL255-EBX	DIODE RL255 OR RL206(POWE		11.000	0.005					PC
	10-0RU3AM-F0X	DIODE RU3AM (FAST RECOVER		11.000	0.005					PC
	10-1N4001-EBX	DIODE 1N4001 (RECTIFIER)		11.000	0.005					PC
	10-1N4002-EBX	DIODE 1N4002 (RECTIFIER)		11.000	0.005					PC
	10-1N4148-ABX	DIODE 1N4148 (SWITCHING)		11.000	0.005					PC
	10-1N4148-ABX	DIODE 1N4148 (SWITCHING)		11.000	0.005					PC
	10-1N4148-ABX	DIODE 1N4148 (SWITCHING)		11.000	0.005					PC
	10-1N4148-ABX	DIODE 1N4148 (SWITCHING)		11.000	0.005					PC
	10-1N4148-ABX	DIODE 1N4148 (SWITCHING)		11.000	0.005					PC
	10-1N4148-ABX	DIODE 1N4148 (SWITCHING)		11.000	0.005					PC
	10-1N4148-ABX	DIODE 1N4148 (SWITCHING)		11.000	0.005					PC
	10-1N4148-ABX	DIODE 1N4148 (SWITCHING)		11.000	0.005					PC
	10-1N4148-ABX	DIODE 1N4148 (SWITCHING)		11.000	0.005					PC
	10-1N4148-ABX	DIODE 1N4148 (SWITCHING)		11.000	0.005					PC
	10-1N4148-ABX	DIODE 1N4148 (SWITCHING)		11.000	0.005					PC
	10-1N4148-ABX	DIODE 1N4148 (SWITCHING)		11.000	0.005					PC
	10-1N4148-ABX	DIODE 1N4148 (SWITCHING)		11.000	0.005					PC
	10-1N4148-ABX	DIODE 1N4148 (SWITCHING)		11.000	0.005					PC
	10-1N4148-ABX	DIODE 1N4148 (SWITCHING)		11.000	0.005					PC
	10-1N4148-ABX	DIODE 1N4148 (SWITCHING)		11.000	0.005					PC
	10-1N4148-ABX	DIODE 1N4148 (SWITCHING)		11.000	0.005					PC
	10-79C3V9-DBX	DIODE ZENER 3V9 1/2W 5%		11.000	0.005					PC
	10-79C5V1-DBX	DIODE ZENER 5V1 1/2W 5%		11.000	0.005					PC
	10-79C5V6-DBX	DIODE ZENER 5V6 1/2W 5%		11.000	0.005					PC
	10-79C6V2-DBX	DIODE ZENER 6V2 1/2W 5%		11.000	0.005					PC
	10-79C6V2-DBX	DIODE ZENER 6V2 1/2W 5%		11.000	0.005					PC
	10-79C6V2-DBX	DIODE ZENER 6V2 1/2W 5%		11.000	0.005					PC
	10-79C8V2-DBX	DIODE ZENER 8V2 1/2W 5%		11.000	0.005					PC
	10-79C9V1-DBX	DIODE ZENER 9V1 1/2W 5%		11.000	0.005					PC
	10-CW574C-DJX	DIODE CW574CD		11.000	0.005					PC
	11-2N3904-0BX	TRANSISTOR 2N3904 (NPN)		11.000	0.005					PC
	11-C124ES-0BX	TRANSISTOR PDTC124ES (NP		11.000	0.005					PC
	11-C144ES-0BX	TRANSISTOR PDTC144ES (NPN		11.000	0.005					PC
	11-C144ES-0BX	TRANSISTOR PDTC144ES (NPN		11.000	0.005					PC
	11-C144ES-0BX	TRANSISTOR PDTC144ES (NPN		11.000	0.005					PC
	11-DD1555-0AX	TRANSISTOR 3DD1555		11.000	0.005					PC
	11-SA1015-YBX	TRANSISTOR ST2SA1015Y (PN		11.000	0.005					PC
	11-SA1015-YBX	TRANSISTOR ST2SA1015Y (PN		11.000	0.005					PC
	11-SA1015-YBX	TRANSISTOR ST2SA1015Y (PN		11.000	0.005					PC
	11-SA1015-YBX	TRANSISTOR ST2SA1015Y (PN		11.000	0.005					PC
	11-SA1015-YBX	TRANSISTOR ST2SA1015Y (PN		11.000	0.005					PC
	11-SA1015-YBX	TRANSISTOR ST2SA1015Y (PN		11.000	0.005					PC
	11-SA1015-YBX	TRANSISTOR ST2SA1015Y (PN		11.000	0.005					PC
	11-SA1015-YBX	TRANSISTOR ST2SA1015Y (PN		11.000	0.005					PC
	11-SA1015-YBX	TRANSISTOR ST2SA1015Y (PN		11.000	0.005					PC
	11-SA1015-YBX	TRANSISTOR ST2SA1015Y (PN		11.000	0.005					PC
	11-SC1815-YBX	TRANSISTOR 2SC1815-Y (NPN		11.000	0.005					PC
	11-SC1815-YBX	TRANSISTOR 2SC1815-Y (NPN		11.000	0.005					PC

11-SC1815-YBX	TRANSISTOR 2SC1815-Y (NPN)	11.000	0.005							PC
11-SC1815-YBX	TRANSISTOR 2SC1815-Y (NPN)	11.000	0.005							PC
11-SC1815-YBX	TRANSISTOR 2SC1815-Y (NPN)	11.000	0.005							PC
11-SC1815-YBX	TRANSISTOR 2SC1815-Y (NPN)	11.000	0.005							PC
11-SC1815-YBX	TRANSISTOR 2SC1815-Y (NPN)	11.000	0.005							PC
11-SC1815-YBX	TRANSISTOR 2SC1815-Y (NPN)	11.000	0.005							PC
11-SC1959-YBX	TRANSISTOR 2SC1959-Y	11.000	0.005							PC
11-SC2482-0BX	TRANSISTOR 2SC2482	11.000	0.005							PC
11-SC2482-0BX	TRANSISTOR 2SC2482	11.000	0.005							PC
11-SC2482-0BX	TRANSISTOR 2SC2482	11.000	0.005							PC
11-SC2482-0BX	TRANSISTOR 2SC2482	11.000	0.005							PC
11-SC3779-DBX	TRANSISTOR 2SC3779D (RF A	11.000	0.005							PC
11-SC5586-0AX	TRANSISTOR 2SC5586	11.000	0.005							PC
13-00040-66P	IC HFE4066BP	11.000	0.005							PC
13-00M24C-08P	IC EEPROM 8K M24C08 (WRIT	11.000	0.005							PC
13-A30V02-TOP	MCU TMPA8821	11.000	0.005							PC
13-CW7805-CSS	IC CW7805CS	11.000	0.005						*	PC
13-CW7805-CSS	IC CW7805CS	11.000	0.005						*	PC
13-CW7809-CSS	IC CS7809S	11.000	0.005						*	PC
13-STV930-2BS	IC STV9302B	11.000	0.005							PC
13-TDA705-7AS	IC TDA7057AQ (2X8W)	21.000	0.010							PC
18-EF0109-JGX	RES. FUS. 1 OHM 1W +/-5%	11.000	0.005							PC
18-EF0109-JGX	RES. FUS. 1 OHM 1W +/-5%	11.000	0.005							PC
18-EF0109-JGX	RES. FUS. 1 OHM 1W +/-5%	11.000	0.005							PC
18-EF0109-JGX	RES. FUS. 1 OHM 1W +/-5%	11.000	0.005							PC
18-EF0228-JGX	RES. FUS. 0.22 OHM 1W +/-	11.000	0.005							PC
18-EF0228-JGX	RES. FUS. 0.22 OHM 1W +/-	11.000	0.005							PC
18-EF0228-JGX	RES. FUS. 0.22 OHM 1W +/-	11.000	0.005							PC
18-EF0228-JGX	RES. FUS. 0.22 OHM 1W +/-	11.000	0.005							PC
18-EG0159-JHX	RES. FUS. 1.5 OHM 2W +/-5	11.000	0.005							PC
18-GJ0159-KUX	RES. CEMENT 1.5OHM 5W +/-	11.000	0.005							PC
18-GJ0332-JUX	RES. CEMENT 3.3K 5W +/-5%	11.000	0.005							PC
18-GJ0339-KUX	RES. WIRE ROUND 3.3 OHM 5	11.000	0.005							PC
22-PTC200-XX0	POSISTOR 20 OHM (25-34)	11.000	0.005							PC
25-BLA100-M1X	CAP. ELEC 10 UF 250V +/-2	11.000	0.005							PC
25-BMJ101-M1X	CAP. ELEC 100 UF 400V +/-	11.000	0.005							PC
26-AIC102-KBX	CAP. CER 1000 PF 500V +/-	11.000	0.005							PC
26-AIC102-KBX	CAP. CER 1000 PF 500V +/-	11.000	0.005							PC
26-AIC221-KBX	CAP. CER 220 PF 500V +/-1	11.000	0.005							PC
26-AIC221-KBX	CAP. CER 220 PF 500V +/-1	11.000	0.005							PC
26-AIC221-KBX	CAP. CER 220 PF 500V +/-1	11.000	0.005							PC
26-AIC332-KBX	CAP. CER 3300 PF 500V +/-	11.000	0.005							PC
26-AIC391-KBX	CAP. CER 390 PF 500V +/-1	11.000	0.005							PC
26-AIC391-KBX	CAP. CER 390 PF 500V +/-1	11.000	0.005							PC
26-AIC391-KBX	CAP. CER 390 PF 500V +/-1	11.000	0.005							PC
26-AIC391-KBX	CAP. CER 390 PF 500V +/-1	11.000	0.005							PC
26-AIC391-KBX	CAP. CER 390 PF 500V +/-1	11.000	0.005							PC
26-AIC391-KBX	CAP. CER 390 PF 500V +/-1	11.000	0.005							PC
26-AIM103-KBX	CAP. CER 0.01UF 500V +/-1	11.000	0.005							PC
26-AIM103-KBX	CAP. CER 0.01UF 500V +/-1	11.000	0.005							PC
26-AIM103-KBX	CAP. CER 0.01UF 500V +/-1	11.000	0.005							PC
26-AMK152-KBX	CAP. CER 1500 PF 2KV +/-1	11.000	0.005							PC
26-AMK331-JZX	CAP. CER 330 PF 2KV +/-5%	11.000	0.005							PC
26-AMK331-JZX	CAP. CER 330 PF 2KV +/-5%	11.000	0.005							PC
26-APK102-ME4	CAP. CER 1000PF 400VAC+/-	11.000	0.005							PC
26-AQK472-ZFX	CAP. CER 4700PF 250VAC +8	11.000	0.005							PC
26-AQK472-ZFX	CAP. CER 4700PF 250VAC +8	11.000	0.005							PC
37-SC2502-99D0X	FLYBACK TRANS. BSC25-0299	21.000	0.010							PC
42-50908D-XX1	SPEAKER 8 OHM 5W (50MMX90	21.000	0.010							PC
42-50908D-XX1	SPEAKER 8 OHM 5W (50MMX90	21.000	0.010							PC
45-OSC8M0-0Y0	CRYSTAL 8.0MHZ	11.000	0.005							PC
45-SAW295-9M0	SAW FILTER K2959M (PIF 38	11.000	0.005							PC
45-TRA5M5-0Y0	CER TRAP TPS 5.5MHZ	11.000	0.005							PC
45-TRA6M5-0Y0	CER TRAP TPS 6.5MHZ	11.000	0.005							PC
47-CRT004-XX0	CRT SOCKET GZS10-2-AC2	21.000	0.010							PC
48-POW001-AX0	SWITCH POWER	11.000	0.005							PC
48-TAC002-XX0	TACT SWITCH	11.000	0.005							PC
48-TAC002-XX0	TACT SWITCH	11.000	0.005							PC

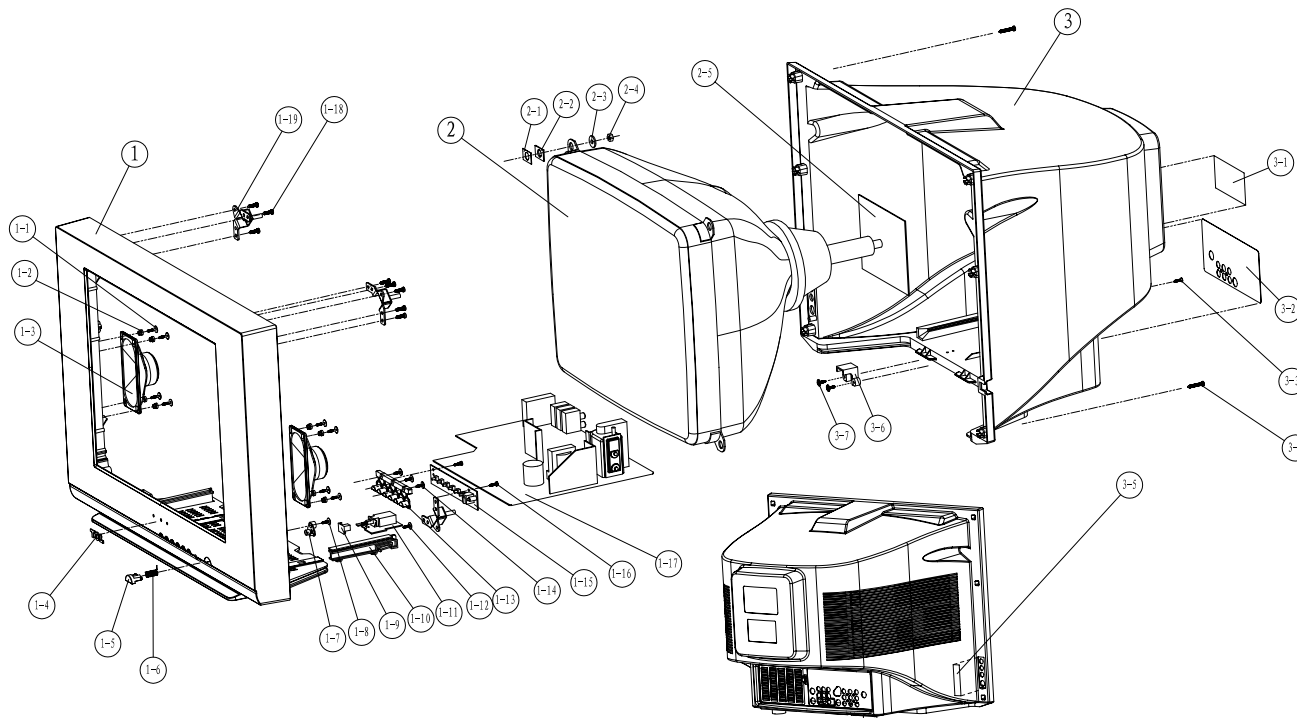
48-TAC002-XX0		TACT SWITCH		11.000		0.005						PC
48-TAC002-XX0		TACT SWITCH		11.000		0.005						PC
48-TAC002-XX0		TACT SWITCH		11.000		0.005						PC
48-TAC002-XX0		TACT SWITCH		11.000		0.005						PC
50-02000D-1GS1		FUSE 2.0AT 250VAC 5MMX20M		21.000		0.010						PC
51-DC0243-0CH0G		POWER CORD		11.000		0.005					*	PC
76-N21K20-0AT9K		CARTON BOX		11.000		0.005						PC

# ELENBERG 2170F

Exploded View & Parts List

## 6. Exploded View & Parts List

6-1 21T68



No	Code No	Description; Specification	Q'ty	Remark
1	55-DT68FC-1CN	FRONT CABINET	1	
1-1	63-W30140-HS4	S/T SCREW W3*14HS	8	MTG SPK.
1-2	59-312160-000	RUBBER CUSHION	8	
1-3	42-51216D-XX0	SPEAKER 8 OHM 5W	2	
1-4	67-2960LG-1A0	LOGO	1	
1-5	56-DT68PK-0HA	POWER KNOB	1	
1-6	67-X39992-0E2	KNOB SPRING	1	
1-7	56-DT68LS-0HC	LENS	1	
1-8	63-B30100-AB4	S/T SCREW B3*10AB	1	MTG LENS
1-9	62-269940-0HA	ADAPTER	1	
1-10	62-406120-0UN	TRACK	1	
1-11	08-21T68H-SWY	ASS'Y-POWER SW.	1	
1-12	63-S30100-AB4	S/T SCREW S3*10AB	2	MTG SW BD.
1-13	56-DT68FB-0HA	PUSH BUTTON	1	
1-14	63-W30100-AB4	S/T SCREW W3*10AB	3	MTG BUTTON
1-15	08-21T68H-FBY	ASS'Y-FRONT CONTROL	1	
1-16	63-B30100-AB4	S/T SCREW B3*10AB	3	MTG KEY BD.
1-17	08-D181MH-MA3	ASS'Y-MAIN BD.	1	
1-18	63-B40150-AB4	S/T SCREW B4*15AB	20	MTG CRT BKT.
1-19	67-325570-3E0	CRT BRACKET	4	
2	44-21RFLW-SZ1A	CRT A51QDX992X002 (H)	1	
2-1	54-314740-0X0	FIBER SHEET (22*22*0.8)	4	
2-2	54-205140-000	SPACER T=2	4	
2-3	65-A60200-20E	WASHER (6*20*2)	4	
2-4	65-Z60100-50E	NUT M6	4	
2-5	08-02170H-CRN	ASS'Y-CRT PARTS	4	
3	55-D189RC-8CN	REAR CABINET	1	
3-1	58-DT68MP-0UI	PLATE MODLE NO	1	
3-2	58-D192RI-3UI	INLAY REAR AV	1	
3-3	63-F30100-BT3	S/T SCREW F3*10BT	2	MTG RCA JACK
3-4	63-B40250-AB2	S/T SCREW B4*25AB	6	MTG F/R CAB.
3-5	58-D106SI-1UI	INLAY SIDE AV	1	
3-6	62-314340-0UN	FBT SUPPORTER	1	
3-7	63-W30100-AB4	S/T SCREW W3*10AB	2	MTG SUPPORTER



11-SA1015-YBX	TRANSISTOR ST2SA1015Y (PN	5.000	0.005							PC
11-SC1815-YBX	TRANSISTOR 2SC1815-Y (NPN	5.000	0.005							PC
11-SC1815-YBX	TRANSISTOR 2SC1815-Y (NPN	5.000	0.005							PC
11-SC1815-YBX	TRANSISTOR 2SC1815-Y (NPN	5.000	0.005							PC
11-SC1815-YBX	TRANSISTOR 2SC1815-Y (NPN	5.000	0.005							PC
11-SC1815-YBX	TRANSISTOR 2SC1815-Y (NPN	5.000	0.005							PC
11-SC1815-YBX	TRANSISTOR 2SC1815-Y (NPN	5.000	0.005							PC
11-SC1815-YBX	TRANSISTOR 2SC1815-Y (NPN	5.000	0.005							PC
11-SC1815-YBX	TRANSISTOR 2SC1815-Y (NPN	5.000	0.005							PC
11-SC1959-YBX	TRANSISTOR 2SC1959-Y	5.000	0.005							PC
11-SC2482-0BX	TRANSISTOR 2SC2482	5.000	0.005							PC
11-SC2482-0BX	TRANSISTOR 2SC2482	5.000	0.005							PC
11-SC2482-0BX	TRANSISTOR 2SC2482	5.000	0.005							PC
11-SC2482-0BX	TRANSISTOR 2SC2482	5.000	0.005							PC
11-SC3779-DBX	TRANSISTOR 2SC3779D (RF A	5.000	0.005							PC
11-SC5586-0AX	TRANSISTOR 2SC5586	5.000	0.005							PC
13-000040-66P	IC HFE4066BP	5.000	0.005							PC
13-00M24C-08P	IC EEPROM 8K M24C08 (WRIT	5.000	0.005							PC
13-A30V02-TOP	MCU TMPA8821	5.000	0.005							PC
13-CW7805-CSS	IC CW7805CS	5.000	0.005							PC
13-CW7805-CSS	IC CW7805CS	5.000	0.005							PC
13-CW7809-CSS	IC CS7809S	5.000	0.005							PC
13-STV930-2BS	IC STV9302B	5.000	0.005							PC
13-TDA705-7AS	IC TDA7057AQ (2X8W)	10.000	0.010							PC
18-EF0109-JGX	RES. FUS. 1 OHM 1W +/-5%	5.000	0.005							PC
18-EF0109-JGX	RES. FUS. 1 OHM 1W +/-5%	5.000	0.005							PC
18-EF0109-JGX	RES. FUS. 1 OHM 1W +/-5%	5.000	0.005							PC
18-EF0109-JGX	RES. FUS. 1 OHM 1W +/-5%	5.000	0.005							PC
18-EF0228-JGX	RES. FUS. 0.22 OHM 1W +/-	5.000	0.005							PC
18-EF0228-JGX	RES. FUS. 0.22 OHM 1W +/-	5.000	0.005							PC
18-EF0228-JGX	RES. FUS. 0.22 OHM 1W +/-	5.000	0.005							PC
18-EF0228-JGX	RES. FUS. 0.22 OHM 1W +/-	5.000	0.005							PC
18-EG0279-JHX	RES. FUSE 2.7 OHM 2W +/-5	5.000	0.005							PC
18-GJ0159-KUX	RES. CEMENT 1.5OHM 5W +/-	5.000	0.005							PC
18-GJ0332-JUX	RES. CEMENT 3.3K 5W +/-5%	5.000	0.005							PC
18-GJ0339-KUX	RES. WIRE ROUND 3.3 OHM 5	5.000	0.005							PC
22-PTC200-XX0	POSISTOR 20 OHM (25-34)	5.000	0.005							PC
25-BLA100-M1X	CAP. ELEC 10 UF 250V +/-2	5.000	0.005							PC
25-BMJ101-M1X	CAP. ELEC 100 UF 400V +/-	5.000	0.005							PC
26-AIC102-KBX	CAP. CER 1000 PF 500V +/-	5.000	0.005							PC
26-AIC102-KBX	CAP. CER 1000 PF 500V +/-	5.000	0.005							PC
26-AIC221-KBX	CAP. CER 220 PF 500V +/-1	5.000	0.005							PC
26-AIC221-KBX	CAP. CER 220 PF 500V +/-1	5.000	0.005							PC
26-AIC221-KBX	CAP. CER 220 PF 500V +/-1	5.000	0.005							PC
26-AIC221-KBX	CAP. CER 220 PF 500V +/-1	5.000	0.005							PC
26-AIC332-KBX	CAP. CER 3300 PF 500V +/-	5.000	0.005							PC
26-AIC391-KBX	CAP. CER 390 PF 500V +/-1	5.000	0.005							PC
26-AIC391-KBX	CAP. CER 390 PF 500V +/-1	5.000	0.005							PC
26-AIC391-KBX	CAP. CER 390 PF 500V +/-1	5.000	0.005							PC
26-AIC391-KBX	CAP. CER 390 PF 500V +/-1	5.000	0.005							PC
26-AIC391-KBX	CAP. CER 390 PF 500V +/-1	5.000	0.005							PC
26-AIC391-KBX	CAP. CER 390 PF 500V +/-1	5.000	0.005							PC
26-AIC391-KBX	CAP. CER 390 PF 500V +/-1	5.000	0.005							PC
26-AIL103-KBX	CAP.CER 10NF 500V +/-10%	5.000	0.005							PC
26-AIL103-KBX	CAP.CER 10NF 500V +/-10%	5.000	0.005							PC
26-AIL103-KBX	CAP.CER 10NF 500V +/-10%	5.000	0.005							PC
26-AMM102-KBX	CAP. CER 1000 PF 2KV +/-1	5.000	0.005							PC
26-AMM331-JZX	CAP. CER 330 PF 2KV +/-5%	5.000	0.005							PC
26-AMM681-JZX	CAP.CER 2KV 680PF +/-5%	5.000	0.005							PC
26-APK102-ME4	CAP. CER 1000PF 400VAC+/-	5.000	0.005							PC
26-AQK472-ZFX	CAP. CER 4700PF 250VAC +8	5.000	0.005							PC
26-AQK472-ZFX	CAP. CER 4700PF 250VAC +8	5.000	0.005							PC
37-SC2502-84C0X	FLYBACK BSC25-0284C	10.000	0.010							PC
42-51208D-XX1	SPEAKER 8 OHM 5W (52MMX12	10.000	0.010							PC
42-51208D-XX1	SPEAKER 8 OHM 5W (52MMX12	10.000	0.010							PC
45-OSC8M0-0Y0	CRYSTAL 8.0MHZ	5.000	0.005							PC
45-SAW295-9M0	SAW FILTER K2959M (PIF 38	5.000	0.005							PC

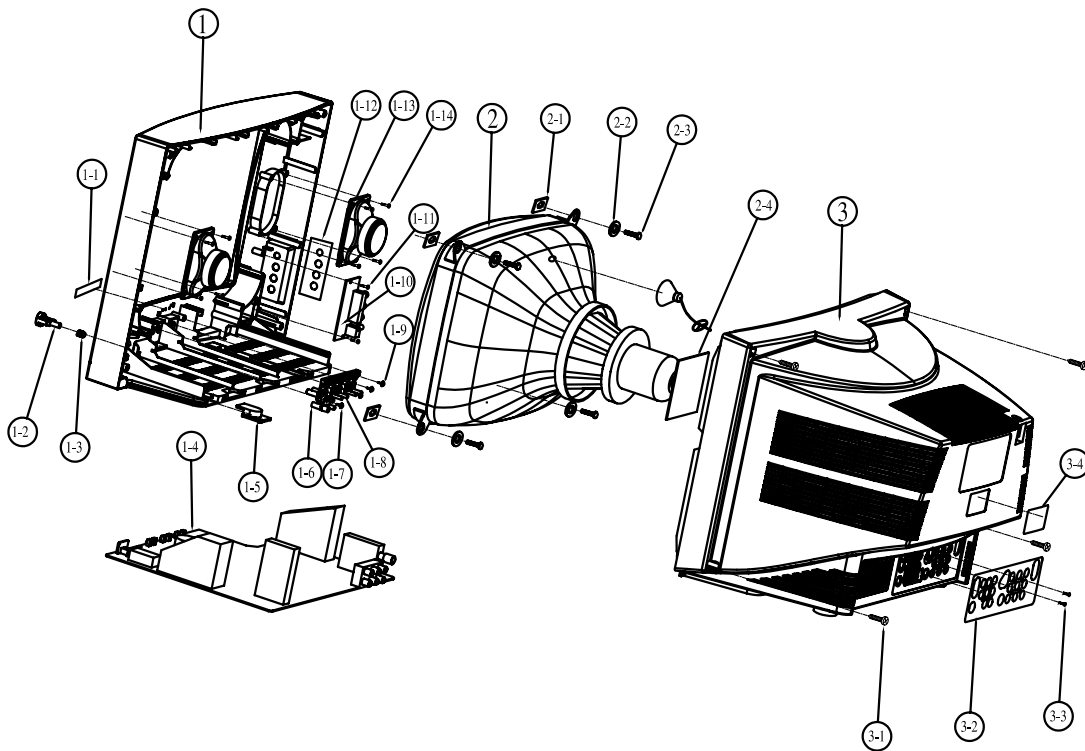
45-TRA5M5-0Y0	CER TRAP TPS 5.5MHZ	5.000	0.005	PC
45-TRA6M5-0Y0	CER TRAP TPS 6.5MHZ	5.000	0.005	PC
47-CRT004-XX0	CRT SOCKET GZS10-2-AC2	10.000	0.010	PC
48-POW001-AX0	SWITCH POWER	5.000	0.005	PC
48-TAC028-XX0	TOUCH SWITCH L=9.5MM	5.000	0.005	PC
48-TAC028-XX0	TOUCH SWITCH L=9.5MM	5.000	0.005	PC
48-TAC028-XX0	TOUCH SWITCH L=9.5MM	5.000	0.005	PC
48-TAC028-XX0	TOUCH SWITCH L=9.5MM	5.000	0.005	PC
48-TAC028-XX0	TOUCH SWITCH L=9.5MM	5.000	0.005	PC
48-TAC028-XX0	TOUCH SWITCH L=9.5MM	5.000	0.005	PC
50-02000D-1GS1G	FUSE 2.0AT 250VAC 5MMX20M	10.000	0.010	PC
51-DC0243-0CN04	POWER CORD L=2430MM	5.000	0.005	PC
76-416010-0AT9S	CARTON BOX	5.000	0.005	PC

# Cameron STV-1437

Exploded Views & parts List

## 6. Exploded Views & parts List

6-1. 1465



No	Code No	Discription;Specification	Q'ty	Remark
1	55-1465FC-2CA	FRONT CABINET	1	
1-1	67-L38320-0A01A	LOGO	1	
1-2	56-1465PK-0HA4A	POWER KNOB ABS-LG H121 (HB)	1	
1-3	67-X24970-0E0	SPRING	1	
1-4	40-2165MH-MA11X	P.C.B. MAIN BD	1	
1-5	62-345690-1UN	ASSISTANT RAIL HIPS-KINGFA 113 (VO)	1	
1-6	56-1465LE-0HC	LENS	1	
1-7	63-B26080-AB4	S/T SCREW B 2.8 X 8 AB	1	MTG LENS
1-8	56-1465FB-0HA5O	PUSH BUTTON ABS-LG H121 (HB)	1	
1-9	63-W30100-AB4	S/T SCREW W3 x 10AB	3	MTG PUSH BUTTON
1-10	40-2165MH-SIC1X	P.C.B. SIDE AV BD	1	
1-11	63-B30100-BT4	S/T SCREW B 3 X 10 BT	2	MTG SIDE AV BD
1-12	58-1418SI-2UI9A	INLAY SIDE AV	1	
1-13	42-50916D-XX0	SPEAKER 16 OHM 5W (50mmX90mm)	2	
1-14	63-W30100-AB4	S/T SCREW W 3 X 10 AB	8	MTG SPK & F. CAB
2	44-140FLE-IR1A	CRT 37SX110Y22-DC05 (EQ)	1	
2-1	54-314740-0X0	CRT FIBRE SHEET (22mmX22mmX0.8mm)	8	MTG CRT & F.CAB
2-2	65-A50200-20E	WASHER 5 X 20 X 2MM	4	MTG CRT
2-3	63-H50250-BF4	S/T SCREW H 5 X 25 BF	4	MTG CRT & F.CAB
2-4	40-1418MH-CRA	P.C.B. CRT BD	1	
3	55-1475RC-5CN5H	REAR CABINET	1	
3-1	63-B40200-AB3	S/T SCREW B4 x 20 AB	4	MTG REAR CAB & FRONT CAB
3-2	58-2106RI-8UI9A	INLAY REAR AV	1	
3-3	63-F30100-BT3	S/T SCREW F 3 X 10 BT (BLACK)	2	MTG RCA JACK & REAR CAB.
3-4	71-500900-0A01N	LABEL	1	





11-SC1815-YBX	TRANSISTOR 2SC1815-Y (NPN)	12.000	0.005						PC
11-SC1815-YBX	TRANSISTOR 2SC1815-Y (NPN)	12.000	0.005						PC
11-SC1815-YBX	TRANSISTOR 2SC1815-Y (NPN)	12.000	0.005						PC
11-SC1815-YBX	TRANSISTOR 2SC1815-Y (NPN)	12.000	0.005						PC
11-SC1815-YBX	TRANSISTOR 2SC1815-Y (NPN)	12.000	0.005						PC
11-SC1815-YBX	TRANSISTOR 2SC1815-Y (NPN)	12.000	0.005						PC
11-SC1815-YBX	TRANSISTOR 2SC1815-Y (NPN)	12.000	0.005						PC
11-SC1815-YBX	TRANSISTOR 2SC1815-Y (NPN)	12.000	0.005						PC
11-SC1959-YBX	TRANSISTOR 2SC1959-Y	12.000	0.005						PC
11-SC2482-0BX	TRANSISTOR 2SC2482	12.000	0.005						PC
11-SC2482-0BX	TRANSISTOR 2SC2482	12.000	0.005						PC
11-SC2482-0BX	TRANSISTOR 2SC2482	12.000	0.005						PC
11-SC2482-0BX	TRANSISTOR 2SC2482	12.000	0.005						PC
11-SC3779-DBX	TRANSISTOR 2SC3779D (RF A	12.000	0.005						PC
11-SC5586-0AX	TRANSISTOR 2SC5586	12.000	0.005						PC
13-000040-66P	IC HFE4066BP	12.000	0.005						PC
13-00M24C-08P	IC EEPROM 8K M24C08 (WRIT	12.000	0.005						PC
13-A30V02-TOP	MCU TMPA8821	12.000	0.005						PC
13-CW7805-CSS	IC CW7805CS	12.000	0.005						* PC
13-CW7805-CSS	IC CW7805CS	12.000	0.005						* PC
13-CW7809-CSS	IC CS7809S	12.000	0.005						* PC
13-STV930-2BS	IC STV9302B	12.000	0.005						PC
13-TDA705-7AS	IC TDA7057AQ (2X8W)	23.000	0.010						PC
18-EF0109-JGX	RES. FUS. 1 OHM 1W +/-5%	12.000	0.005						PC
18-EF0109-JGX	RES. FUS. 1 OHM 1W +/-5%	12.000	0.005						PC
18-EF0109-JGX	RES. FUS. 1 OHM 1W +/-5%	12.000	0.005						PC
18-EF0109-JGX	RES. FUS. 1 OHM 1W +/-5%	12.000	0.005						PC
18-EF0228-JGX	RES. FUS. 0.22 OHM 1W +/-	12.000	0.005						PC
18-EF0228-JGX	RES. FUS. 0.22 OHM 1W +/-	12.000	0.005						PC
18-EF0228-JGX	RES. FUS. 0.22 OHM 1W +/-	12.000	0.005						PC
18-EF0228-JGX	RES. FUS. 0.22 OHM 1W +/-	12.000	0.005						PC
18-EG0159-JHX	RES. FUS. 1.5 OHM 2W +/-5	12.000	0.005						PC
18-GJ0229-KUX	RES. CEMENT 2.2 OHM 5W +/	12.000	0.005						PC
18-GJ0332-JUX	RES. CEMENT 3.3K 5W +/-5%	12.000	0.005						PC
18-GJ0339-KUX	RES. WIRE ROUND 3.3 OHM 5	12.000	0.005						PC
22-PTC200-XX0	POSISTOR 20 OHM (25-34)	12.000	0.005						PC
25-BLA100-M1X	CAP. ELEC 10 UF 250V +/-2	12.000	0.005						PC
25-BLB109-M1X	CAP. ELEC 1 UF 250V +/-20	12.000	0.005						PC
25-BMJ101-M1X	CAP. ELEC 100 UF 400V +/-	12.000	0.005						PC
26-AIC102-KBX	CAP. CER 1000 PF 500V +/-	12.000	0.005						PC
26-AIC102-KBX	CAP. CER 1000 PF 500V +/-	12.000	0.005						PC
26-AIC221-KBX	CAP. CER 220 PF 500V +/-1	12.000	0.005						PC
26-AIC221-KBX	CAP. CER 220 PF 500V +/-1	12.000	0.005						PC
26-AIC221-KBX	CAP. CER 220 PF 500V +/-1	12.000	0.005						PC
26-AIC332-KBX	CAP. CER 3300 PF 500V +/-	12.000	0.005						PC
26-AIC391-KBX	CAP. CER 390 PF 500V +/-1	12.000	0.005						PC
26-AIC391-KBX	CAP. CER 390 PF 500V +/-1	12.000	0.005						PC
26-AIC391-KBX	CAP. CER 390 PF 500V +/-1	12.000	0.005						PC
26-AIC391-KBX	CAP. CER 390 PF 500V +/-1	12.000	0.005						PC
26-AIM103-KBX	CAP. CER 0.01UF 500V +/-1	12.000	0.005						PC
26-AIM103-KBX	CAP. CER 0.01UF 500V +/-1	12.000	0.005						PC
26-AIM103-KBX	CAP. CER 0.01UF 500V +/-1	12.000	0.005						PC
26-AMK102-KBX	CAP. CER 1000 PF 2KV +/-1	12.000	0.005						PC
26-AMK331-JZX	CAP. CER 330 PF 2KV +/-5%	12.000	0.005						PC
26-AMK331-JZX	CAP. CER 330 PF 2KV +/-5%	12.000	0.005						PC
26-APK102-ME4	CAP. CER 1000PF 400VAC+/-	12.000	0.005						PC
26-AQK472-ZFX	CAP. CER 4700PF 250VAC +8	12.000	0.005						PC
26-AQK472-ZFX	CAP. CER 4700PF 250VAC +8	12.000	0.005						PC
37-050119-1400X	FLYBACK JF0501-1914 (14/H	23.000	0.010						PC
42-50916D-XX0	SPEAKER 16 OHM 5W (50MMX9	23.000	0.010						PC
42-50916D-XX0	SPEAKER 16 OHM 5W (50MMX9	23.000	0.010						PC
45-OSC8M0-0Y0	CRYSTAL 8.0MHZ	12.000	0.005						PC
45-SAW295-9M0	SAW FILTER K2959M (PIF 38	12.000	0.005						PC
45-TRA5M5-0Y0	CER TRAP TPS 5.5MHZ	12.000	0.005						PC

45-TRA6M5-0Y0	CER TRAP TPS 6.5MHZ	12.000	0.005							PC
47-CRT001-XX1	SOCKET CRT GZS8-6-AC	23.000	0.010							PC
48-POW001-AX0	SWITCH POWER	12.000	0.005							PC
48-TAC002-XX0	TACT SWITCH	12.000	0.005							PC
48-TAC002-XX0	TACT SWITCH	12.000	0.005							PC
48-TAC002-XX0	TACT SWITCH	12.000	0.005							PC
48-TAC002-XX0	TACT SWITCH	12.000	0.005							PC
48-TAC002-XX0	TACT SWITCH	12.000	0.005							PC
48-TAC002-XX0	TACT SWITCH	12.000	0.005							PC
50-02000D-1GS1	FUSE 2.0AT 250VAC 5MMX20M	23.000	0.010							PC
51-DC0243-0CH01	POWER CORD VDE PLUG W/HOU	12.000	0.005							PC
76-002091-0AT	CARTON BOX LWH 624X384X55	1.000	0.000							PC
76-430330-0AT9M	CARTON BOX	12.000	0.005							PC